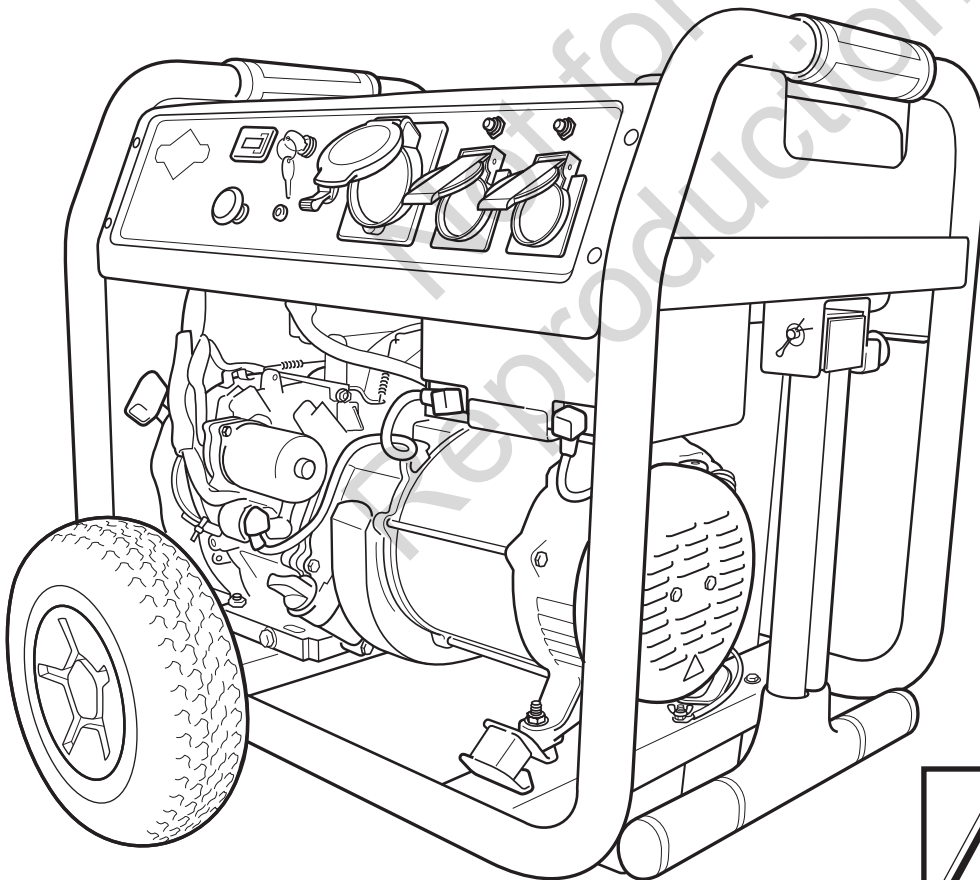




**7500EA/8500EA**  
**Portable Generator**

# **Operator's Manual**

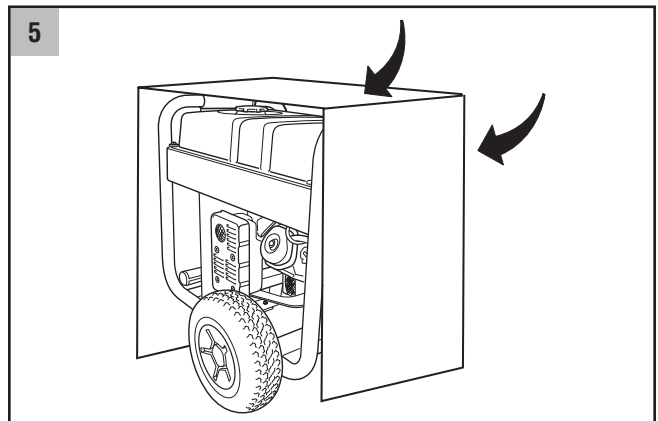
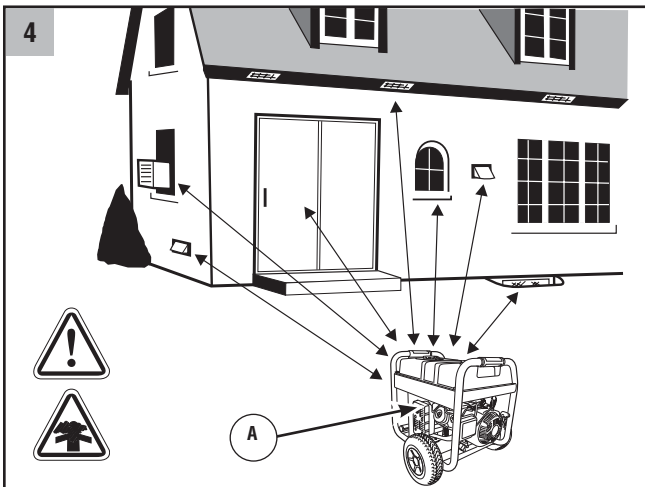
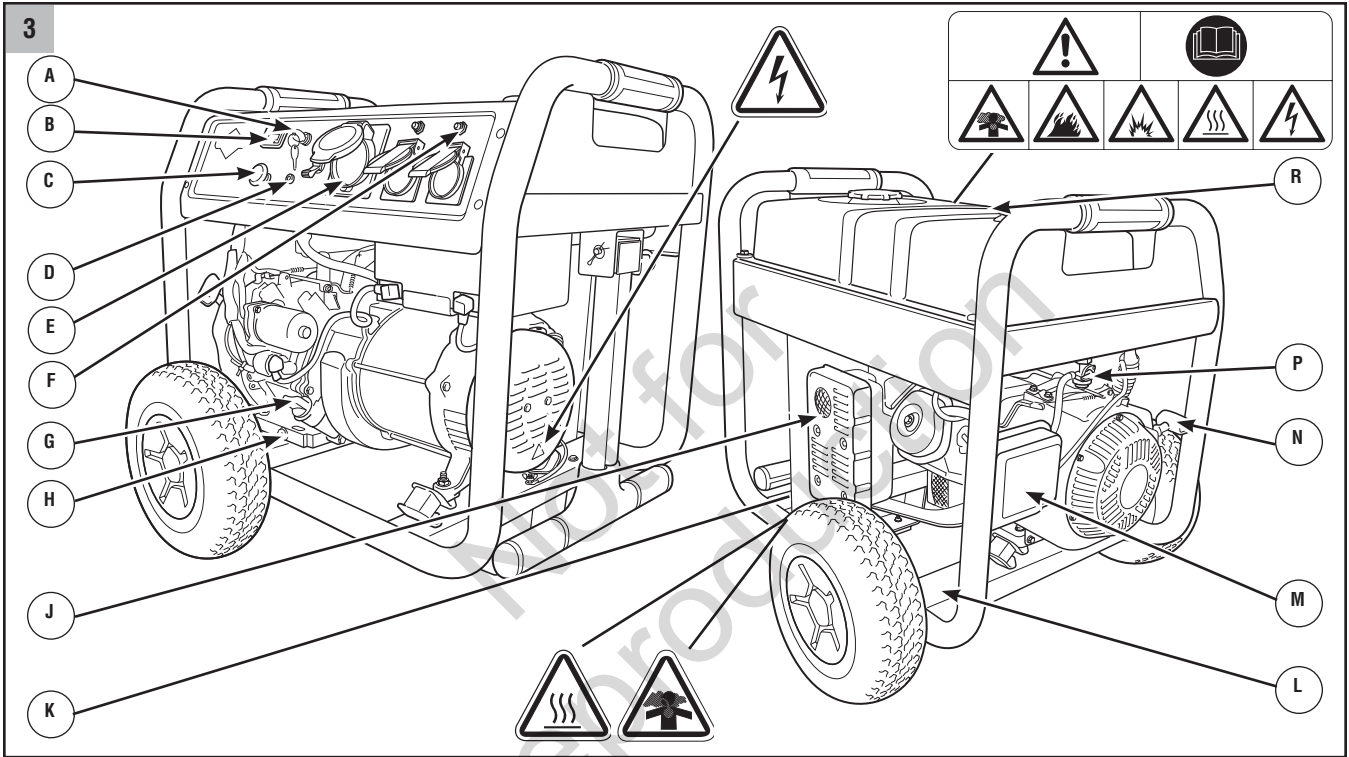
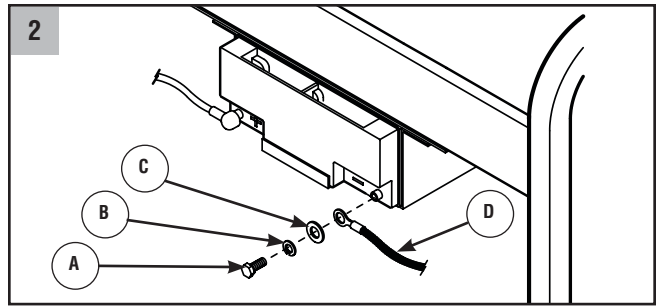
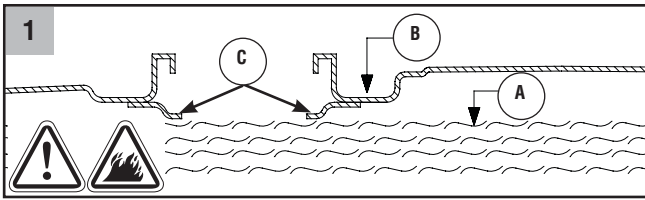


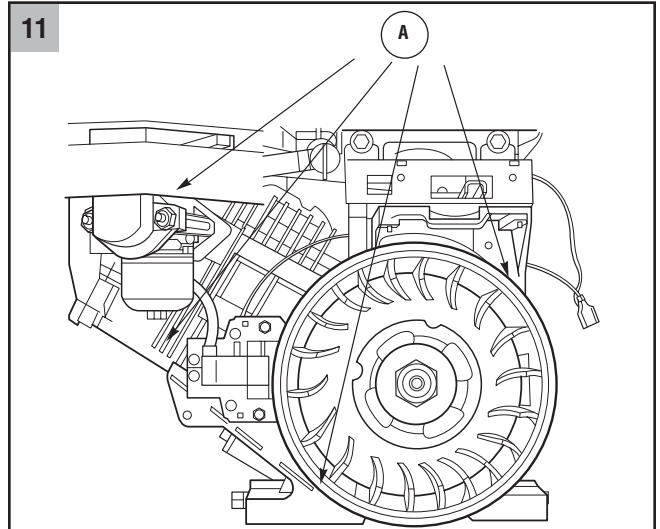
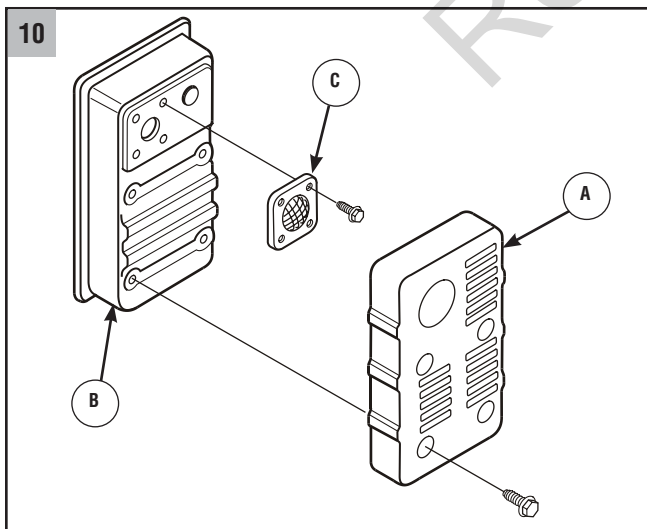
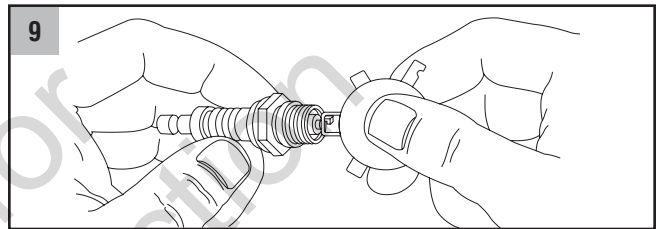
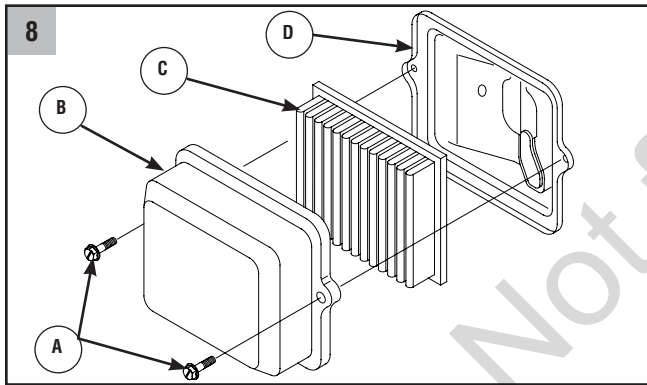
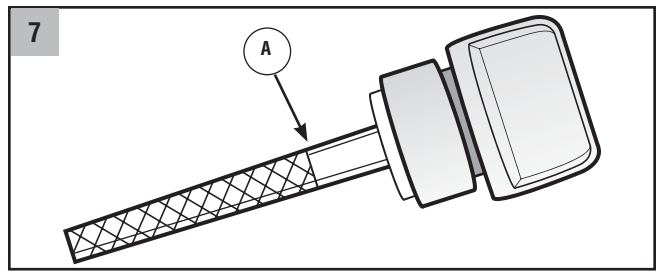
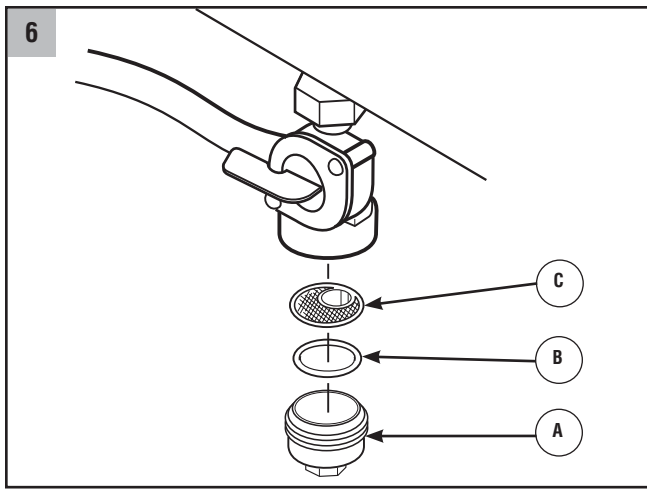
This generator is rated in accordance with ISO 8528 G1.

**BRIGGS & STRATTON POWER PRODUCTS GROUP, LLC**  
**MILWAUKEE, WISCONSIN, U.S.A.**

Manual No. 315734GS Revision -







**Thank you** for purchasing this quality-built Briggs & Stratton® generator. We are pleased that you've placed your confidence in the Briggs & Stratton brand. When operated and maintained according to the instructions in this manual, your Briggs & Stratton generator will provide many years of dependable service.

**This manual contains** safety information to make you aware of the hazards and risks associated with generators and how to avoid them. This generator is designed and intended only for supplying electrical power for operating compatible electrical lighting, appliances, tools and motor loads, and is not intended for any other purpose. It is important that you read and understand these instructions thoroughly before attempting to start or operate this equipment. **Save these original instructions for future reference.**

**This generator requires final assembly before use.** Refer to the *Assembly* section of this manual for instructions on final assembly procedures. Follow the instructions completely.

**Where to Find Us**

You never have to look far to find Briggs & Stratton support and service for your generator. There are thousands of Briggs & Stratton authorized service dealers worldwide who provide quality service. You can also find the nearest Authorized Service Dealer in our dealer locator map on the Internet at **BRIGGSandSTRATTON.COM**.

**Generator**

Model Number \_\_\_\_\_  
 Revision \_\_\_\_\_  
 Serial Number \_\_\_\_\_

**Engine**

Model Number \_\_\_\_\_  
 Type Number \_\_\_\_\_  
 Code Number \_\_\_\_\_

**Date Purchased** \_\_\_\_\_

**Table of Contents**

**Operator Safety . . . . . 5**  
 Equipment Description . . . . . 5  
 Important Safety Information . . . . . 5

**Assembly . . . . . 7**  
 Unpack Generator . . . . . 7  
 Add Engine Oil . . . . . 7  
 Add Fuel . . . . . 7  
 Attach Negative Battery Cable . . . . . 7

**Features and Controls . . . . . 7**  
 Battery Charger . . . . . 7

**Operation . . . . . 8**  
 Grounding Fastener . . . . . 8  
 Generator Location . . . . . 8  
 Starting the Engine . . . . . 8  
 Connecting Electrical Loads . . . . . 8  
 Stopping the Engine . . . . . 9  
 Low Oil Shutdown . . . . . 9  
 Cold Weather Operation . . . . . 9  
 Don't Overload Generator . . . . . 10

**Maintenance . . . . . 11**  
 Maintenance Schedule . . . . . 11  
 Generator Maintenance . . . . . 11  
 Battery Maintenance . . . . . 11  
 Fuel Valve Maintenance . . . . . 11  
 Engine Maintenance . . . . . 12  
 Storage . . . . . 13

**Troubleshooting . . . . . 14**

**Specifications . . . . . 14**  
 Product Specifications . . . . . 14  
 Common Service Parts . . . . . 14

**Warranties . . . . . 15**  
 Generator Owner Warranty . . . . . 15



# Operator Safety

## Equipment Description



Read this manual carefully and become familiar with your generator. Know its applications, its limitations and any hazards involved.

The generator is an engine-driven, revolving field, alternating current (AC) generator. It was designed to supply electrical power for operating compatible electrical lighting, appliances, tools and motor loads. The generator's revolving field is driven at about 3,000 rpm by a single-cylinder engine.

Every effort has been made to ensure that the information in this manual is both accurate and current. However, the manufacturer reserves the right to change, alter or otherwise improve the generator and this documentation at any time without prior notice.

## Important Safety Information

The manufacturer cannot possibly anticipate every possible circumstance that might involve a hazard. The warnings in this manual, and the tags and decals affixed to the unit are, therefore, not all-inclusive. If you use a procedure, work method or operating technique that the manufacturer does not specifically recommend, you must satisfy yourself that it is safe for you and others. You must also make sure that the procedure, work method or operating technique that you choose does not render the generator unsafe.

## Safety Symbols and Meanings



Toxic Fumes



Kickback



Electrical Shock



Fire



Explosion



Operator's Manual



Moving Parts



Flying Objects



Hot Surface

The safety alert symbol indicates a potential personal injury hazard. A signal word (DANGER, WARNING, or CAUTION) is used with the alert symbol to designate a degree or level of hazard seriousness. A safety symbol may be used to represent the type of hazard. The signal word *NOTICE* is used to address practices not related to personal injury.

**DANGER** indicates a hazard which, if not avoided, *will* result in death or serious injury.

**WARNING** indicates a hazard which, if not avoided, *could* result in death or serious injury.

**CAUTION** indicates a hazard which, if not avoided, *could* result in minor or moderate injury.

**NOTICE** address practices not related to personal injury.



**WARNING** Running engine gives off carbon monoxide, an odourless, colourless, poison gas.



Breathing carbon monoxide could result in death, serious injury, headache, fatigue, dizziness, vomiting, confusion, seizures, nausea or fainting.

- Operate this product **ONLY** outdoors.
- Install a battery operated carbon monoxide alarm near the bedrooms.
- Keep exhaust gas from entering a confined area through windows, doors, ventilation intakes, or other openings.
- **DO NOT** operate this product inside any building, carport, porch, mobile equipment, marine applications, or enclosure, even if windows and doors are open.



**WARNING** Starter cord kickback (rapid retraction) will pull hand and arm toward engine faster than you can let go which could cause broken bones, fractures, bruises, or sprains resulting in serious injury.



- When starting engine, pull cord slowly until resistance is felt and then pull rapidly to avoid kickback.
- **NEVER** start or stop engine with electrical devices plugged in and turned on.



**WARNING** Generator voltage could cause electrical shock or burn resulting in death or serious injury.



- Use approved transfer equipment to prevent backfeed by isolating generator from electric utility workers.
- When using generator for backup power, notify utility company.
- **DO NOT** connect generator to a building's electrical system.
- Use a residual-current device (RCD) in any damp or highly conductive area, such as metal decking or steel work.
- **DO NOT** touch bare wires or receptacles.
- **DO NOT** use generator with electrical cords which are worn, frayed, bare or otherwise damaged.
- **DO NOT** operate generator in the rain or wet weather.
- **DO NOT** handle generator or electrical cords while standing in water, while barefoot, or while hands or feet are wet.
- **DO NOT** allow unqualified persons or children to operate or service generator.



**WARNING** Exhaust heat/gases could ignite combustibles, structures or damage fuel tank causing a fire, resulting in death, serious injury and/or property damage. Contact with muffler area could cause burns resulting in serious injury.



- DO NOT touch hot parts and AVOID hot exhaust gases.
- Allow equipment to cool before touching.
- Keep at least 1.5 m (5 ft.) of clearance on all sides of generator including overhead.
- Contact the original equipment manufacturer, retailer, or dealer to obtain a spark arrester designed for the exhaust system installed on this engine.
- Replacement parts must be the same and installed in the same position as the original parts.



**WARNING** Unintentional sparking could cause fire or electric shock resulting in death or serious injury.



**WHEN ADJUSTING OR MAKING REPAIRS TO YOUR GENERATOR**

- Disconnect the spark plug wire from the spark plug and place the wire where it cannot contact spark plug.

**WHEN TESTING FOR ENGINE SPARK**

- Use approved spark plug tester.
- DO NOT check for spark with spark plug removed.



**WARNING** Starter and other rotating parts could entangle hands, hair, clothing, or accessories resulting in serious injury.



- NEVER operate generator without protective housing or covers.
- DO NOT wear loose clothing, jewelry or anything that could be caught in the starter or other rotating parts.
- Tie up long hair and remove jewelry.



**WARNING** Fuel and its vapors are extremely flammable and explosive which could cause burns, fire or explosion resulting in death, serious injury and/or property damage.



**WHEN ADDING OR DRAINING FUEL**

- Turn generator engine OFF and let it cool at least 2 minutes before removing fuel cap. Loosen cap slowly to relieve pressure in tank.
- Fill or drain fuel tank outdoors.
- DO NOT overfill tank. Allow space for fuel expansion.
- If fuel spills, wait until it evaporates before starting engine.
- Keep fuel away from sparks, open flames, pilot lights, heat, and other ignition sources.
- Check fuel lines, tank, cap and fittings frequently for cracks or leaks. Replace if necessary.
- DO NOT light a cigarette or smoke.

**WHEN STARTING EQUIPMENT**

- Ensure spark plug, muffler, fuel cap, and air cleaner are in place.
- DO NOT crank engine with spark plug removed.

**WHEN OPERATING EQUIPMENT**

- DO NOT operate this product inside any building, carport, porch, mobile equipment, marine applications, or enclosure.
- DO NOT tip engine or equipment at angle which causes fuel to spill.
- DO NOT stop engine by moving choke control to "Choke" position (I \ N).

**WHEN TRANSPORTING, MOVING OR REPAIRING EQUIPMENT**

- Transport/move/repair with fuel tank EMPTY or with fuel shutoff valve OFF.
- DO NOT tip engine or equipment at angle which causes fuel to spill.
- Disconnect spark plug wire.

**WHEN STORING FUEL OR EQUIPMENT WITH FUEL IN TANK**

- Store away from furnaces, stoves, water heaters, clothes dryers, or other appliances that have pilot light or other ignition source because they could ignite fuel vapors.



**CAUTION** Excessively high operating speeds could result in minor injury and/or generator damage.

Excessively low speeds impose a heavy load.

- DO NOT tamper with governor spring, links or other parts to increase engine speed.
- DO NOT modify generator in any way.

**NOTICE** Exceeding generators wattage/amperage capacity could damage generator and/or electrical devices connected to it.

- DO NOT exceed the generator's wattage/amperage capacity. See *Don't Overload Generator* in the *Operation* section.
- Start generator and let engine stabilize before connecting electrical loads.
- Connect electrical loads in OFF position, then turn ON for operation.
- Turn electrical loads OFF and disconnect from generator before stopping generator.

**NOTICE** Improper treatment of generator could damage it and shorten its life.

- Use generator only for intended uses.
- If you have questions about intended use, ask dealer or contact local service center.
- Operate generator only on level surfaces.
- DO NOT expose generator to excessive moisture, dust, dirt, or corrosive vapors.
- DO NOT insert any objects through cooling slots.
- If connected devices overheat, turn them off and disconnect them from generator.
- Shut off generator if:
  - electrical output is lost;
  - equipment sparks, smokes, or emits flames;
  - unit vibrates excessively.

## Assembly

Your generator is ready for use after it has been properly serviced with the recommended fuel and oil.

If you have any problems with the servicing of your generator, contact your local Briggs & Stratton service center. If you need assistance, please have the model, revision, and serial number from the identification label available. See *Features and Controls* for identification label location.

### Unpack Generator

1. Set the carton on a rigid, flat surface.
2. Remove everything from carton.

#### The generator is supplied with:

- Operator's manual
- Battery float charger
- Keys (2)

### Add Engine Oil

1. Place generator on a level surface.
2. Add engine oil as described in *Adding Engine Oil* of the *Engine Maintenance* section.

**NOTICE** Improper treatment of generator could damage it and shorten its life.

- DO NOT attempt to crank or start the engine before it has been properly serviced with the recommended oil. This could result in an engine failure.

### Add Fuel **Figure 1**

#### Fuel must meet these requirements:

- Clean, fresh, unleaded petrol.
- A minimum of 87 octane/87 AKI (91 RON). For high altitude use, see *High Altitude*.
- Petrol with up to 10% ethanol (gasohol) or up to 15% MTBE (methyl tertiary butyl ether) is acceptable.

**NOTICE** Avoid generator damage.

Failure to follow Operator's Manual for fuel recommendations voids warranty.

- DO NOT use unapproved petrol such as E85.
- DO NOT mix oil in petrol.
- DO NOT modify engine to run on alternate fuels.

To protect the fuel system from gum formation, mix in a fuel stabilizer when adding fuel. See *Storage*. All fuel is not the same. If you experience starting or performance problems after using fuel, switch to a different fuel provider or change brands. This engine is certified to operate on petrol. The emission control system for this engine is EM (Engine Modifications).



**WARNING** Fuel and its vapors are extremely flammable and explosive which could cause burns, fire or explosion resulting in death, serious injury and/or property damage.



#### WHEN ADDING FUEL

- Turn generator engine OFF and let it cool at least 2 minutes before removing fuel cap. Loosen cap slowly to relieve pressure in tank.
- Fill fuel tank outdoors.
- DO NOT overfill tank. Allow space for fuel expansion.
- If fuel spills, wait until it evaporates before starting engine.
- Keep fuel away from sparks, open flames, pilot lights, heat, and other ignition sources.
- Check fuel lines, tank, cap and fittings frequently for cracks or leaks. Replace if necessary.
- DO NOT light a cigarette or smoke.

1. Clean area around fuel fill cap, remove cap.
2. Slowly add unleaded fuel (A) to fuel tank (B). Be careful not to fill above the baffle (C). This allows adequate space for fuel expansion as shown.
3. Install fuel cap and let any spilled fuel evaporate before starting engine.

#### High Altitude

At altitudes over 1500 meters (5,000 feet), a minimum 85 octane / 85 AKI (89 RON) petrol is acceptable. To remain emissions compliant, high altitude adjustment is required. Operation without this adjustment will cause decreased performance, increased fuel consumption, and increased emissions. See a Briggs & Stratton Authorized Dealer for high altitude adjustment information. Operation of the engine at altitudes below 750 meters (2,500 feet) with the high altitude kit is not recommended.

### Attach Negative Battery Cable **Figure 2**

Your unit is equipped with electric start capability but can be started manually. If you choose not to use the electric start feature, you do not need to connect the negative battery cable.

The sealed battery on the generator is pre-installed except for the negative (black) battery cable.

#### To install:

1. Cut off tie wrap securing loose end of negative (black) cable.
2. Using an 8 mm socket wrench, remove screw (A), lock washer (B) and flat washer (C) on negative battery terminal.
3. Slide lock washer, flat washer and negative battery cable (D) over screw as shown.
4. Reattach screw to negative battery terminal and tighten.
5. Verify that connections to battery and generator are tight and secure.

**NOTICE** If your battery is discharged, charge prior to use following the instructions in the section *Battery Charger*.

## Features and Controls **Figure 3**



Read this Operator's Manual and safety rules before operating your generator. Compare the illustrations with your generator, to familiarize yourself with the locations of various controls and adjustments. Save this manual for future reference.

**A - Start Switch** — Turn key to start (Ⓜ) position to start the engine. Turn key to off (O) position to switch off engine.

**B - Hour Meter** — Displays and records how many hours your generator has run (up to 9,999.9).

**C - Choke Control** — Used when starting a cold engine.

**D - Battery Float Charger Jack** — Use battery float charger jack to keep the starting battery charged and ready for use.

**E - 230 Volt AC Outlets** — May be used to supply electrical power for the operation of 230 Volt AC, single phase, 50 Hz electrical, lighting, appliance, tool, and motor loads.

**F - Circuit Breakers (AC)** — The receptacles are provided with circuit breakers to protect the generator against electrical overload.

**G - Oil Fill Cap/Dipstick** — Check and add engine oil here.

**H - Oil Drain Plug** — Drain engine oil here.

**J - Spark Arrester Muffler** — Exhaust muffler lowers engine noise and is equipped with a spark arrester screen.

**K - Grounding Fastener** — Consult your local agency having jurisdiction for grounding requirements in your area.

**L - Identification Label** — Provides model and serial number of generator. Please have these readily available if calling for assistance.

**M - Air Cleaner** — Protects engine by filtering dust and debris out of intake air.

**N - Recoil Starter** — Used to start the engine manually.

**P - Fuel Valve** — Used to turn fuel supply on and off to engine.

**R - Fuel Tank** — Capacity of 30 liters (eight (8) U.S. gallons).

#### Items Not Shown:

**Engine Identification** — Provides model, type and code of engine. Please have these readily available if calling for assistance.

### Battery Charger **Figure 3**

Use battery float charger jack to keep the starting battery charged and ready for use. Battery charging should be done in a dry location, such as inside a garage.

1. Plug charger into unit's battery float charger jack (3, D), which is located below the start switch. Plug battery charger into a 230 Volt AC wall receptacle.
2. Unplug charger from unit and wall outlet when generator is being started and while it is in operation.
3. Keep this charger plugged in when generator is not in use to prolong battery life. The charger has a built in float equalizer and will not overcharge the battery, even when plugged in for an extended period of time.

**NOTICE** See *Battery Maintenance* for additional information.

# Operation

## Grounding Fastener

The generator is provided with a grounding fastener. Local electrical codes may require this to be connected to a suitable earth connection. The generator neutral is floating, which means that the AC stator winding is isolated from the grounding fastener and the AC receptacle ground pins. Electrical devices, such as RCD, requiring a grounded neutral may not operate properly from this generator.

## Special Requirements


There may be Federal, local codes, or ordinances that apply to the intended use of the generator. Please consult a qualified electrician, electrical inspector, or the local agency having jurisdiction:


- This generator has a floating neutral and is not for use on job sites requiring a bonded neutral.

## Generator Location

### Clearances and Air Movement

Place generator outdoors in an area that will not accumulate deadly exhaust gas. DO NOT place generator where exhaust gas (A) could accumulate and enter inside or be drawn into a potentially occupied building. Ensure exhaust gas is kept away from any windows, doors, ventilation intakes, or other openings that can allow exhaust gas to collect in a confined area. Prevailing winds and air currents should be taken into consideration when positioning generator.

 **WARNING** Running engine gives off carbon monoxide, an odorless, colorless, poison gas. Breathing carbon monoxide could result in death, serious injury, headache, fatigue, dizziness, vomiting, confusion, seizures, nausea or fainting.

 Breathing carbon monoxide could result in death, serious injury, headache, fatigue, dizziness, vomiting, confusion, seizures, nausea or fainting.

- Operate this product ONLY outdoors.
- Install a battery operated carbon monoxide alarm near the bedrooms.
- Keep exhaust gas from entering a confined area through windows, doors, ventilation intakes, or other openings.
- DO NOT operate this product inside any building, carport, porch, mobile equipment, marine applications, or enclosure, even if windows and doors are open.

## Starting the Engine

Disconnect all electrical loads from the generator. Use the following start instructions:


1. Make sure unit is on a flat, level surface.


**NOTICE** Failure to start and operate the unit on a flat, level surface will cause the unit not to start or shut down during operation.

2. Turn fuel valve (3, P) to on position (I).
3. Pull choke control (3, C) out to close choke (I).
- 4A. For electric starting, turn and hold key in start switch (3, A) to start (I) position until generator starts. To prolong the life of starter components, DO NOT hold key in start (I) position for more than 15 seconds, and pause for at least 1 minute between starting attempts.
  - If engine starts, proceed to step 6.
  - If engine fails to start, proceed to step 5.

**NOTICE** If battery is discharged, use manual starting instructions.

- 4B. For manual starting, turn key in start switch to run (I) position, grasp recoil handle (3, N) and pull slowly until slight resistance is felt. Then pull rapidly one time only to start engine.

 **WARNING** Starter cord kickback (rapid retraction) will pull hand and arm toward engine faster than you can let go which could cause broken bones, fractures, bruises, or sprains resulting in serious injury.


 Starter cord kickback (rapid retraction) will pull hand and arm toward engine faster than you can let go which could cause broken bones, fractures, bruises, or sprains resulting in serious injury.


- When starting engine, pull cord slowly until resistance is felt and then pull rapidly to avoid kickback.
- NEVER start or stop engine with electrical devices plugged in and turned on.

- If engine starts, proceed to step 6.
  - If engine fails to start, proceed to step 5.
5. Push in the choke handle half way, turn key in start switch to run (I) position and pull recoil handle twice or turn and hold key in start switch to start (I) position as described in step 4A.
    - If engine fails to start, repeat steps 3 thru 4.
  6. Open the choke gradually as the engine warms up by pushing in on the choke handle.

**NOTICE** If engine floods, push choke handle all the way in and crank until engine starts.

**NOTICE** If engine starts after 3 pulls but fails to run, or if unit shuts down during operation, make sure unit is on a level surface and check for proper oil level in crankcase. This unit is equipped with a low oil protection device. If so, oil must be at proper level for engine to start.


 **WARNING** Exhaust heat/gases could ignite combustibles, structures or damage fuel tank causing a fire, resulting in death, serious injury and/or property damage.


 Contact with muffler area could cause burns resulting in serious injury.

- DO NOT touch hot parts and AVOID hot exhaust gases.
- Allow equipment to cool before touching.
- Keep at least 1.5 m (5 ft.) of clearance on all sides of generator including overhead.
- Contact the original equipment manufacturer, retailer, or dealer to obtain a spark arrester designed for the exhaust system installed on this engine.
- Replacement parts must be the same and installed in the same position as the original parts.

## Connecting Electrical Loads

Use only high quality, well-insulated extension cables with the generator's 230 Volt AC outlets. Inspect extension cables before each use. Check that all extension cables are suitably rated and are not damaged. Keep extension cables as short as possible to minimize voltage drop.

 **WARNING** Damaged or overloaded electrical cables could overheat, arc, and burn resulting in death, serious injury, and/or property damage.

 Damaged or overloaded electrical cables could overheat, arc, and burn resulting in death, serious injury, and/or property damage.

- ONLY use suitably rated extension cables.
- Follow all safety instructions on extension cables.
- Inspect cables before each use.


1. Let engine stabilize and warm up for a few minutes after starting.
2. Plug in and turn on the desired 230 Volt AC, single phase, 50 Hz electrical loads.


## NOTICE

- DO NOT connect 3-phase loads to the generator.
- DO NOT connect 60 Hz loads to the generator.
- DO NOT OVERLOAD THE GENERATOR. See *Don't Overload Generator*.

**NOTICE** Exceeding generators wattage/ampere capacity could damage generator and/or electrical devices connected to it.

- DO NOT exceed the generator's wattage/ampere capacity. See *Don't Overload Generator* in the *Operation* section.
- Start generator and let engine stabilize before connecting electrical loads.
- Connect electrical loads in OFF position, then turn ON for operation.
- Turn electrical loads OFF and disconnect from generator before stopping generator.

 **WARNING** Generator voltage could cause electrical shock or burn resulting in death or serious injury.

 Generator voltage could cause electrical shock or burn resulting in death or serious injury.

- DO NOT connect generator to a building's electrical system.
- DO NOT touch bare wires or receptacles.
- DO NOT use generator with electrical cords which are worn, frayed, bare or otherwise damaged.
- DO NOT operate generator in the rain or wet weather.
- DO NOT handle generator or electrical cords while standing in water, while barefoot, or while hands or feet are wet.
- DO NOT allow unqualified persons or children to operate or service generator.



## Stopping the Engine

1. Turn OFF and unplug all electrical loads from generator panel receptacles. NEVER start or stop engine with electrical devices plugged in and turned ON.
2. Let engine run at no-load for several minutes to stabilize internal temperatures of engine and generator.
3. Turn key in start switch to off (O) position.



### WARNING

Fuel and its vapors are extremely flammable and explosive which could cause burns, fire or explosion resulting in death, serious injury and/or property damage.

- DO NOT stop engine by moving choke control to "Choke" position (I\|).

4. Turn fuel valve to the off position (O).

## Low Oil Shutdown

If the engine oil drops below a preset level, an oil switch will stop the engine. Check oil level with dipstick.

### If oil level is between ADD and FULL mark on dipstick:

1. DO NOT try to restart the engine.
2. Contact an Authorized Briggs & Stratton Service Dealer.
3. DO NOT operate engine until oil level is corrected.

### If oil level is below ADD mark on dipstick:

1. Add oil to bring level to FULL mark.
2. Restart engine and if the engine stops again a low oil condition may still exist. DO NOT try to restart the engine.
3. Contact an Authorized Briggs & Stratton Service Dealer.
4. DO NOT operate engine until oil level is corrected.

## Cold Weather Operation **Figure 5**

Under certain weather conditions (temperatures below 40°F [4°C] combined with high humidity), your generator may experience icing of the carburetor and/or the crankcase breather system. To reduce this problem, you need to perform the following:

1. Make sure generator has clean, fresh fuel.
2. Open fuel valve (turn valve to on position).
3. Use SAE 5W-30 oil.
4. Check oil level daily or after every eight (8) hours of operation.
5. Maintain generator following *Maintenance Schedule* in *Maintenance* section.
6. Shelter unit from elements.

## Building a Cold Weather Shelter

1. Using non combustible material with a fire rating of at least one hour, build a shelter that will enclose three sides and the top of the generator. Make sure muffler side of generator is exposed.

**NOTICE** Contact your local building material supplier for non combustible materials with a fire rating of at least one hour.

**NOTICE** Be sure shelter can easily be repositioned for change in wind direction.

2. DO NOT enclose generator any more than shown. Shelter should hold enough heat created by the generator to prevent icing problem.

**NOTICE** If a wheel kit is installed on the generator, enlarge shelter accordingly.

3. Cut appropriate slots to access receptacles of unit.
4. Face exposed end away from wind and elements.
5. Locate generator as described in the section *Generator Location*. Keep exhaust gas from entering a confined area through windows, doors, ventilation intakes or other openings.



**WARNING** Running engine gives off carbon monoxide, an odorless, colorless, poison gas.



Breathing carbon monoxide could result in death, serious injury, headache, fatigue, dizziness, vomiting, confusion, seizures, nausea or fainting.

- Operate this product ONLY outdoors.
- Install a battery operated carbon monoxide alarm near the bedrooms.
- Keep exhaust gas from entering a confined area through windows, doors, ventilation intakes, or other openings.
- DO NOT operate this product inside any building, carport, porch, mobile equipment, marine applications, or enclosure, even if windows and doors are open.

6. Start generator as described in the section *Starting the Engine*, then place shelter over generator. Keep at least 5 ft. (1.5 m) clearance on all sides of generator including overhead with shelter in place.



**WARNING** Exhaust heat/gases could ignite combustibles, structures or damage fuel tank causing a fire, resulting in death, serious injury and/or property damage.



Contact with muffler area could cause burns resulting in serious injury.

- DO NOT touch hot parts and AVOID hot exhaust gases.
- Allow equipment to cool before touching.
- Keep at least 1.5 m (5 ft.) of clearance on all sides of generator including overhead.
- Remove shelter when temperatures are above 40°F [4°C].

7. Remove shelter when temperatures are above 40°F [4°C].
8. Turn engine OFF and let cool two (2) minutes before refueling. Let any spilled fuel evaporate before starting engine.

## Don't Overload Generator

### Capacity

You must make sure your generator can supply enough rated (running) and surge (starting) watts for the items you will power at the same time. Follow these simple steps:

1. Select the items you will power at the same time.
2. Total the rated (running) watts of these items. This is the amount of power your generator must produce to keep your items running. See Wattage Reference Guide.
3. Estimate how many surge (starting) watts you will need. Surge wattage is the short burst of power needed to start electric motor-driven tools or appliances such as a circular saw or refrigerator. Because not all motors start at the same time, total surge watts can be estimated by adding only the item(s) with the highest additional surge watts to the total rated watts from step 2.

### Example:

Tool or Appliance	Rated (Running) Watts	Additional Surge (Starting) Watts
Window Fan	300	600
Deep Freezer	500	500
Television	500	—
Security System	180	—
Light (75 Watts)	75	—
	1555 Total Running Watts	600 Highest Surge Watts

Total Rated (Running) Watts = 1555  
 Highest Additional Surge Watts = 600  
 Total Generator Output Required = 2155

### Power Management

To prolong the life of your generator and attached devices, it is important to take care when adding electrical loads to your generator. There should be nothing connected to the generator outlets before starting its engine. The correct and safe way to manage generator power is to sequentially add loads as follows:

1. With nothing connected to the generator, start the engine as described in this manual.
2. Plug in and turn on the first load, preferably the largest load you have.
3. Permit the generator output to stabilize (engine runs smoothly and attached device operates properly).
4. Plug in and turn on the next load.
5. Again, permit the generator to stabilize.
6. Repeat steps 4 and 5 for each additional load.

NEVER add more loads than the generator capacity. Take special care to consider surge loads in generator capacity, as described above.

Wattage Reference Guide		
Tool or Appliance	Rated* (Running) Watts	Additional Surge (Starting) Watts
<b>Essentials</b>		
Light Bulb - 75 watt	75	—
Deep Freezer	500	500
Sump Pump	800	1200
Refrigerator/Freezer - 18 cf	800	1600
Water Well Pump - 1/3 hp	1000	2000
<b>Heating/Cooling</b>		
Window AC - 10,000 BTU	1200	1800
Window Fan	300	600
Furnace Fan Blower - 1/2 hp	800	1300
Kitchen		
Microwave Oven - 1000 Watt	1000	—
Coffee Maker	1500	—
Electric Stove - Single Element	1500	—
<b>Family Room</b>		
DVD/CD Player	100	—
VCR	100	—
Stereo Receiver	450	—
Color Television - 27 in	500	—
Personal Computer w/17 in monitor	800	—
<b>Other</b>		
Security System	180	—
AM/FM Clock Radio	300	—
Garage Door Opener - 1/2 hp	480	520
<b>DIY/Job Site</b>		
Quartz Halogen Work Light	1000	—
Airless Sprayer - 1/3 hp	600	1200
Reciprocating Saw	960	960
Electric Drill - 1/2 hp	1000	1000
Circular Saw - 7-1/4 in	1500	1500

\* Wattages listed are approximate only. Check tool or appliance for actual wattage.

# Maintenance

## Maintenance Schedule

Follow the hourly or calendar intervals, whichever occurs first. More frequent service is required when operating in adverse conditions noted below.

<b>First 5 Hours</b>
<ul style="list-style-type: none"><li>• Change engine oil</li></ul>
<b>Every 8 Hours or Daily</b>
<ul style="list-style-type: none"><li>• Clean debris</li><li>• Check engine oil level</li></ul>
<b>Every 25 Hours or Yearly</b>
<ul style="list-style-type: none"><li>• Service engine air cleaner<sup>1</sup></li></ul>
<b>Every 50 Hours or Yearly</b>
<ul style="list-style-type: none"><li>• Change engine oil<sup>1</sup></li></ul>
<b>Every 100 Hours or Yearly</b>
<ul style="list-style-type: none"><li>• Service fuel valve</li><li>• Service spark plug</li><li>• Inspect muffler and spark arrester</li><li>• Clean cooling system<sup>1</sup></li></ul>

<sup>1</sup> Service more often under dirty or dusty conditions.

### General Recommendations

Regular maintenance will improve the performance and extend the life of the generator. See any authorized dealer for service.

The generator's warranty does not cover items that have been subjected to operator abuse or negligence. To receive full value from the warranty, the operator must maintain the generator as instructed in this manual.

**NOTICE** Improper treatment of generator could damage it and shorten its life.

- NEVER operate generator without protective housing or covers to assure proper cooling.

Some adjustments will need to be made periodically to properly maintain your generator.

All service and adjustments should be made at least once each season. Follow the requirements in the Maintenance Schedule chart above.

**NOTICE** Once a year you should clean or replace the spark plug and replace the air filter. A new spark plug and clean air filter assure proper fuel-air mixture and help your engine run better and last longer.

## Generator Maintenance

Generator maintenance consists of keeping the unit clean and dry. Operate and store the unit in a clean dry environment where it will not be exposed to excessive dust, dirt, moisture, or any corrosive vapors. Cooling air slots in the generator must not become clogged with snow, leaves, or any other foreign material.

**NOTICE** DO NOT use water or other liquids to clean generator. Liquids can enter engine fuel system, causing poor performance and/or failure to occur. In addition, if liquid enters generator through cooling air slots, some of the liquid will be retained in voids and cracks of the rotor and stator winding insulation. Liquid and dirt buildup on the generator internal windings will eventually decrease the insulation resistance of these windings.

### Cleaning

Daily or before use, look around and underneath the generator for signs of oil or fuel leaks. Clean accumulated debris from inside and outside the generator. Keep the linkage, spring and other engine controls clean. Keep the area around and behind the muffler free from any combustible debris. Inspect cooling air slots and openings on generator. These openings must be kept clean and unobstructed.

Engine parts should be kept clean to reduce the risk of overheating and ignition of accumulated debris:

- Use a damp cloth to wipe exterior surfaces clean.

**NOTICE** Improper treatment of generator could damage it and shorten its life.

- DO NOT expose generator to excessive moisture, dust, dirt, or corrosive vapors.
- DO NOT insert any objects through cooling slots.

- Use a soft bristle brush to loosen caked on dirt or oil.

- Use a vacuum cleaner to pick up loose dirt and debris.

## Battery Maintenance

Other than float charging, described elsewhere, no maintenance is required for the starting battery. Keep the battery and terminals clean and dry.

**NOTICE** Battery charging should be performed in a dry location, such as inside a garage.

## Fuel Valve Maintenance **Figure 6**

The fuel valve is equipped with a fuel sediment cup, screen, and o-ring that need to be cleaned.

1. Move fuel valve to off (O) position.
2. Remove sediment cup (A) from fuel valve. Remove o-ring (B) and screen (C) from fuel valve.
3. Wash sediment cup, o-ring, and screen in a nonflammable solvent. Dry them thoroughly.
4. Place screen and o-ring into fuel valve. Install sediment cup and tighten securely.
5. Move fuel valve to on (I) position, and check for leaks. Replace fuel valve if there is any leakage.

## Engine Maintenance

**WARNING** Unintentional sparking could cause fire or electric shock resulting in death or serious injury.



### WHEN ADJUSTING OR MAKING REPAIRS TO YOUR GENERATOR

- Disconnect the spark plug wire from the spark plug and place the wire where it cannot contact spark plug.

### WHEN TESTING FOR ENGINE SPARK

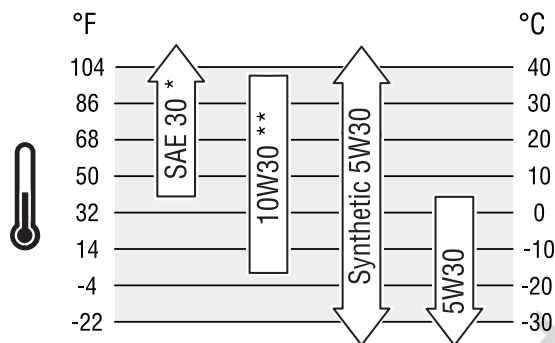
- Use approved spark plug tester.
- DO NOT check for spark with spark plug removed.

## Oil

### Oil Recommendations

We recommend the use of Briggs & Stratton Warranty Certified oils for best performance. Other high-quality detergent oils are acceptable if classified for service SF, SG, SH, SJ or higher. DO NOT use special additives.

Outdoor temperatures determine the proper oil viscosity for the engine. Use the chart to select the best viscosity for the outdoor temperature range expected.



\* Below 4°C (40°F) the use of SAE 30 will result in hard starting.

\*\* Above 27°C (80°F) the use of 10W30 may cause increased oil consumption. Check oil level more frequently.



**NOTICE** Synthetic oil meeting ILSAC GF-2, API certification mark and API service symbol with "SJ/CF ENERGY CONSERVING" or higher, is an acceptable oil at all temperatures. Use of synthetic oil does not alter required oil change intervals.



### Checking Oil Level **Figure 3 7**

Oil level should be checked prior to each use or at least every 8 hours of operation. Keep oil level maintained.

1. Make sure generator is on a level surface.
2. Clean area around oil fill (**3, G**), remove oil cap/dipstick and wipe dipstick with clean cloth. Replace dipstick. Remove and check oil level.

**NOTICE** DO NOT screw in dipstick when checking oil level.

3. Verify oil is at full mark (**7, A**) on dipstick. Replace and tighten oil cap/dipstick.

### Adding Engine Oil

1. Make sure generator is on a level surface.
2. Check oil level as described in *Checking Oil Level*.
3. If needed, slowly pour oil into oil fill opening to the full mark on dipstick. DO NOT overfill.

**NOTICE** Overfilling with oil could cause the engine to not start, or hard starting.

- DO NOT overfill.
- If over the full mark on dipstick, drain oil to reduce oil level to full mark on dipstick.
- 4. Replace and tighten oil cap/dipstick.

### Changing Engine Oil **Figure 3**

If you are using your generator under extremely dirty or dusty conditions, or in extremely hot weather, change the oil more often.

**CAUTION** Avoid prolonged or repeated skin contact with used motor oil.

- Used motor oil has been shown to cause skin cancer in certain laboratory animals.
- Thoroughly wash exposed areas with soap and water.



KEEP OUT OF REACH OF CHILDREN. DON'T POLLUTE. CONSERVE RESOURCES. RETURN USED OIL TO COLLECTION CENTERS.

Change the oil while the engine is still warm from running, as follows:

1. Make sure unit is on a level surface.
2. Disconnect the spark plug wire from the spark plug and place the wire where it cannot contact spark plug.
3. Clean area around oil drain plug (**3, H**). The oil drain plug is located at base of engine, opposite carburetor.
4. Remove oil drain plug and drain oil completely into a suitable container.
5. Reinstall oil drain plug and tighten securely. Remove oil fill cap/dipstick.
6. Repeat steps 3 and 4 to add engine oil as described in *Adding Engine Oil*.
7. Wipe up any spilled oil.

### Service Air Cleaner **Figure 8**

Your engine will not run properly and may be damaged if you run it with a dirty air cleaner. Service more often if operating under dirty or dusty conditions.

To service the air cleaner, follow these steps:

1. Loosen screws (**A**) and remove air cleaner cover (**B**).
2. Carefully remove cartridge (**C**) from base (**D**).
3. Install clean (or new) air cleaner assembly inside cover. Dispose of old filter properly.
4. Assemble air cleaner cover onto base and tighten screws.

### Service Spark Plug **Figure 9**

Changing the spark plug will help your engine to start easier and run better.

1. Clean area around spark plug.
2. Remove and inspect spark plug.
3. Check electrode gap with wire feeler gauge and reset spark plug gap to recommended gap if necessary (see *Specifications*).
4. Replace spark plug if electrodes are pitted, burned or porcelain is cracked. Use the recommended replacement spark plug. See *Specifications*.
5. Install spark plug and tighten firmly.

## Inspect Muffler and Spark Arrester **Figure 10**

Inspect the muffler for cracks, corrosion, or other damage. Remove the spark arrester, if equipped, and inspect for damage or carbon blockage. If replacement parts are required, make sure to use only original equipment replacement parts.



### WARNING

Contact with muffler area can result in serious burns. Exhaust heat/gases can ignite combustibles, structures or damage fuel tank causing a fire.

- DO NOT touch hot parts and AVOID hot exhaust gases.
- Allow equipment to cool before touching.
- Keep at least 1.5 m (5 feet) of clearance on all sides of generator including overhead.
- Contact the original equipment manufacturer, retailer, or dealer to obtain a spark arrester designed for the exhaust system installed on this engine.
- Replacement parts must be the same and installed in the same position as the original parts.

### Clean and inspect the spark arrester as follows:

1. To remove muffler guard (A), remove screws that connects guard to muffler (B).
2. Remove screws that attaches spark arrester screen (C) to muffler. Remove spark arrester screen.
3. Inspect screen and obtain a replacement if torn, perforated or otherwise damaged. DO NOT use a defective screen. If screen is not damaged, clean it with a brush.
4. Reattach screen to muffler. Reattach muffler guard.

## Clean Cooling System **Figure 11**

Over time debris may accumulate in cylinder cooling fins and cannot be observed without partial engine disassembly. For this reason, we recommend you have a Briggs & Stratton authorized dealer clean the cooling system (A) per recommended intervals (see *Maintenance Schedule* in the *Maintenance* section). Equally important is to keep top of engine free from debris. Also see *Cleaning*.

### Carburetor Adjustment

The carburetor on this engine is low emission. It is equipped with a non-adjustable idle mixture valve. Top speed has been set at the factory. If adjustment is required, see a Briggs & Stratton authorized dealer.



**CAUTION** Excessively high operating speeds could result in minor injury and/or generator damage.

- Excessively low speeds impose a heavy load.
- DO NOT tamper with governor spring, links or other parts to increase engine speed.
- DO NOT modify generator in any way.

## Storage

If you will not be using the generator for more than 30 days, use the following guidelines to prepare it for storage.

### Generator Storage

- Clean the generator as outlined in *Cleaning*.
- Check that cooling air slots and openings on generator are open and unobstructed.

### Long Term Storage Instructions

Fuel can become stale when stored over 30 days. Stale fuel causes acid and gum deposits to form in the fuel system or on essential carburetor parts. To keep fuel fresh, use Briggs & Stratton FRESH START® fuel stabilizer, available as a liquid additive or a drip concentrate cartridge.

There is no need to drain petrol from the engine if a fuel stabilizer is added according to instructions. Run the engine for 2 minutes to circulate the stabilizer throughout the fuel system. The engine and fuel can then be stored up to 24 months.

If petrol in the engine has not been treated with a fuel stabilizer, it must be drained into an approved container. Run the engine until it stops from lack of fuel. The use of a fuel stabilizer in the storage container is recommended to maintain freshness.



**WARNING** Fuel and its vapors are extremely flammable and explosive which could cause burns, fire or explosion resulting in death, serious injury and/or property damage.



### WHEN STORING FUEL OR EQUIPMENT WITH FUEL IN TANK

- Store away from furnaces, stoves, water heaters, clothes dryers or other appliances that have pilot light or other ignition source because they could ignite fuel vapors.

### WHEN DRAINING FUEL

- Turn generator engine OFF and let it cool at least 2 minutes before removing fuel cap. Loosen cap slowly to relieve pressure in tank.
- Drain fuel tank outdoors.
- Keep fuel away from sparks, open flames, pilot lights, heat, and other ignition sources.
- Check fuel lines, tank, cap and fittings frequently for cracks or leaks. Replace if necessary.
- DO NOT light a cigarette or smoke.

### Change Engine Oil

While engine is still warm, drain oil from crankcase. Refill with recommended grade. See *Changing Engine Oil*.

### Other Storage Tips

1. DO NOT store fuel from one season to another unless it has been treated as described in *Long Term Storage Instructions*.
2. Replace fuel container if it starts to rust. Rust and/or dirt in fuel can cause problems if it's used with this unit.
3. Cover unit with a suitable protective cover that does not retain moisture.



**WARNING** Storage covers could cause a fire resulting in death, serious injury and/or property damage.



- DO NOT place a storage cover over a hot generator.
- Let equipment cool for a sufficient time before placing the cover on the equipment.

4. Store generator in clean, dry area.

## Troubleshooting

Problem	Cause	Correction
Engine is running, but no AC output is available.	<ol style="list-style-type: none"> <li>One of the circuit breakers is open.</li> <li>Fault in generator.</li> <li>Poor connection or defective cord set.</li> <li>Connected device is bad.</li> </ol>	<ol style="list-style-type: none"> <li>Reset circuit breaker.</li> <li>Contact authorized service facility.</li> <li>Check and repair.</li> <li>Connect another device that is in good condition.</li> </ol>
Engine runs good at no-load but "bogs down" when loads are connected.	<ol style="list-style-type: none"> <li>Short circuit in a connected load.</li> <li>Engine speed is too slow.</li> <li>Generator is overloaded.</li> <li>Shorted generator circuit.</li> <li>Clogged or dirty fuel filter.</li> </ol>	<ol style="list-style-type: none"> <li>Disconnect shorted electrical load.</li> <li>Contact authorized service facility.</li> <li>See <i>Don't Overload Generator</i> in <i>Operation</i> section.</li> <li>Contact authorized service facility.</li> <li>Clean or replace fuel filter.</li> </ol>
Engine will not start; shuts down when running or starts and runs rough.	<ol style="list-style-type: none"> <li>Engine rocker switch set to off position (O).</li> <li>Fuel Valve is in off (O) position.</li> <li>Low oil level.</li> <li>Dirty air cleaner.</li> <li>Clogged or dirty fuel filter.</li> <li>Out of fuel.</li> <li>Stale fuel.</li> <li>Spark plug wire not connected to spark plug.</li> <li>Bad spark plug.</li> <li>Water in fuel.</li> <li>Flooded.</li> <li>Excessively rich fuel mixture.</li> <li>Intake valve stuck open or closed.</li> <li>Engine has lost compression.</li> </ol>	<ol style="list-style-type: none"> <li>Set engine rocker switch to on position (I).</li> <li>Turn fuel valve to on (I) position.</li> <li>Fill crankcase to proper level or place generator on level surface.</li> <li>Clean or replace air cleaner.</li> <li>Clean or replace fuel filter.</li> <li>Fill fuel tank.</li> <li>Drain fuel tank and carburetor; fill with fresh fuel.</li> <li>Connect wire to spark plug.</li> <li>Replace spark plug.</li> <li>Drain gas tank and carburetor; fill with fresh fuel.</li> <li>Wait 5 minutes and re-crank engine.</li> <li>Contact authorized service facility.</li> <li>Contact authorized service facility.</li> <li>Contact authorized service facility.</li> </ol>
Engine lacks power.	<ol style="list-style-type: none"> <li>Load is too high.</li> <li>Dirty air filter.</li> <li>Clogged or dirty fuel filter.</li> </ol>	<ol style="list-style-type: none"> <li>See <i>Don't Overload Generator</i>.</li> <li>Replace air filter.</li> <li>Clean or replace fuel filter.</li> </ol>
Engine "hunts" or falters.	<ol style="list-style-type: none"> <li>Carburetor is running too rich or too lean.</li> <li>Clogged or dirty fuel filter.</li> </ol>	<ol style="list-style-type: none"> <li>Contact authorized service facility.</li> <li>Clean or replace fuel filter.</li> </ol>

## Product Specifications

### Model 7500EA

Starting Wattage	7,500 Watts
Wattage*	6,000 Watts
Load Current at 230 Volts AC	26.0 Amps
Rated Frequency	50 Hertz
Phase	Single Phase
Displacement	420 cc (25.62 cu. in.)
Spark Plug Gap	0.76 mm (0.030 in.)
Fuel Capacity	30 L (8.0 U.S. gallon)
Oil Capacity	1.0 Liters (36 Ounces)

### Model 8500EA

Starting Wattage	8,500 Watts
Wattage*	6,800 Watts
Load Current at 230 Volts AC	29.5 Amps
Rated Frequency	50 Hertz
Phase	Single Phase
Displacement	420 cc (25.62 cu. in.)
Spark Plug Gap	0.76 mm (0.030 in.)
Fuel Capacity	30 L (8.0 U.S. gallon)
Oil Capacity	1.0 Liters (36 Ounces)

## Common Service Parts

Air Cleaner	491588 or 5043
Resistor Spark Plug	491055

**Power Ratings:** The gross power rating for individual gas engine models is labeled in accordance with SAE (Society of Automotive Engineers) code J1940 (Small Engine Power & Torque Rating Procedure), and rating performance has been obtained and corrected in accordance with SAE J1995 (Revision 2002-05). Torque values are derived at 3060 RPM; horsepower values are derived at 3600 RPM. Actual gross engine power will be lower and is affected by, among other things, ambient operating conditions and engine-to-engine variability. Given both the wide array of products on which engines are placed and the variety of environmental issues applicable to operating the equipment, the gas engine will not develop the rated gross power when used in a given piece of power equipment (actual "on-site" or net power). This difference is due to a variety of factors including, but not limited to, accessories (air cleaner, exhaust, charging, cooling, carburetor, fuel pump, etc.), application limitations, ambient operating conditions (temperature, humidity, altitude), and engine-to-engine variability. Due to manufacturing and capacity limitations, Briggs & Stratton may substitute an engine of higher rated power for this Series engine.

\* This generator is rated in accordance with ISO 8528 G1.

## BRIGGS & STRATTON POWER PRODUCTS GROUP, LLC PORTABLE GENERATOR OWNER WARRANTY POLICY

Effective November 1, 2009; replaces all undated Warranties and all Warranties dated before November 1, 2009.

### LIMITED WARRANTY

Briggs & Stratton Power Products Group, LLC will repair or replace, free of charge, any part(s) of the portable generator that is defective in material or workmanship or both. Transportation charges on product submitted for repair or replacement under this warranty must be borne by purchaser. This warranty is effective for the time periods and subject to the conditions stated below. For warranty service, find the nearest Authorized Service Dealer in our dealer locator map at [BRIGGSandSTRATTON.COM](http://BRIGGSandSTRATTON.COM).

THERE IS NO OTHER EXPRESS WARRANTY. IMPLIED WARRANTIES, INCLUDING THOSE OF MERCHANTABILITY AND FITNESS FOR A PARTICULAR PURPOSE, ARE LIMITED TO ONE YEAR FROM PURCHASE, OR TO THE EXTENT PERMITTED BY LAW. ANY AND ALL IMPLIED WARRANTIES ARE EXCLUDED. LIABILITY FOR INCIDENTAL OR CONSEQUENTIAL DAMAGES ARE EXCLUDED TO THE EXTENT EXCLUSION IS PERMITTED BY LAW. Some states or countries do not allow limitations on how long an implied warranty lasts, and some states or countries do not allow the exclusion or limitation of incidental or consequential damages, so the above limitation and exclusion may not apply to you. This warranty gives you specific legal rights and you may also have other rights which vary from state to state or country to country.

### WARRANTY PERIOD

Consumer Use	2 years*
Commercial Use	1 year

\*Second year parts only

The warranty period begins on the date of purchase by the first retail end user, and continues for the period of time stated above. "Consumer Use" means personal residential household use by a retail consumer. "Commercial Use" means all other uses, including use for commercial, income producing or rental purposes. Once equipment has experienced commercial use, it shall thereafter be considered as commercial use for purposes of this warranty.

NO WARRANTY REGISTRATION IS NECESSARY TO OBTAIN WARRANTY ON BRIGGS & STRATTON PRODUCTS. SAVE YOUR PROOF OF PURCHASE RECEIPT. IF YOU DO NOT PROVIDE PROOF OF THE INITIAL PURCHASE DATE AT THE TIME WARRANTY SERVICE IS REQUESTED, THE MANUFACTURING DATE OF THE PRODUCT WILL BE USED TO DETERMINE THE WARRANTY PERIOD.

### ABOUT YOUR WARRANTY

We welcome warranty repair and apologize to you for being inconvenienced. Any Authorized Service Dealer may perform warranty repairs. Most warranty repairs are handled routinely, but sometimes requests for warranty service may not be appropriate. For example, warranty service would not apply if equipment damage occurred because of misuse, lack of routine maintenance, shipping, handling, warehousing or improper installation. Similarly, the warranty is void if the manufacturing date or the serial number on the portable generator has been removed or the equipment has been altered or modified. During the warranty period, the Authorized Service Dealer, at its option, will repair or replace any part that, upon examination, is found to be defective under normal use and service. This warranty will not cover the following repairs and equipment:

- **Normal Wear:** Outdoor Power Equipment, like all mechanical devices, needs periodic parts and service to perform well. This warranty does not cover repair when normal use has exhausted the life of a part or the equipment.
- **Installation and Maintenance:** This warranty does not apply to equipment or parts that have been subjected to improper or unauthorized installation or alteration and modification, misuse, negligence, accident, overloading, overspeeding, improper maintenance, repair or storage so as, in our judgment, to adversely affect its performance and reliability. This warranty also does not cover normal maintenance such as air filters, adjustments, fuel system cleaning and obstruction (due to chemical, dirt, carbon, lime, and so forth).
- **Other Exclusions:** This warranty excludes wear items such as o-rings, filters, etc., or malfunctions resulting from accidents, abuse, modifications, alterations, or improper servicing or freezing or chemical deterioration. Accessory parts such as starting batteries, generator adapter cord sets and storage covers are excluded from the product warranty. This warranty excludes used, reconditioned, and demonstration equipment, equipment used for prime power in place of utility power, equipment used in life support applications, and failures due to acts of God and other force majeure events beyond the manufacturers control. 198189E, Rev. C, 11/2/2009

BRIGGS & STRATTON POWER PRODUCTS GROUP, LLC  
MILWAUKEE, WI, USA

English

en

**Благодарим Вас** за покупку этого высококачественного генератора Briggs & Stratton®. Компания выражает признательность за доверие, оказанное торговой марке Briggs & Stratton. Для повышения надежности генератора Briggs & Stratton и продления срока его службы необходимо в процессе эксплуатации и при выполнении технического обслуживания соблюдать указания настоящего руководства.

**В настоящем руководстве содержится** информация по безопасности, дающая представление об опасностях и рисках, связанных с генераторами, и о том, как их избежать. Этот генератор разработан и предназначен только для подачи электроэнергии для работы совместимого электрического освещения, бытовых приборов, инструментов и электродвигателей и не предназначен для других целей. Важно внимательно ознакомиться и разобраться с приведенными указаниями перед запуском или эксплуатацией этого оборудования. **Сохраните эти оригинальные указания для будущего использования.**

**Перед использованием этого генератора необходимо произвести его окончательную сборку.** Инструкции по окончательной сборке приводятся в разделе *Сборка* настоящего руководства. Необходимо неукоснительно следовать этим инструкциям.

### Как нас найти

Сервисные центры компании Briggs & Stratton, в которых можно выполнить техническое обслуживание и ремонт генератора, имеются в каждом достаточно крупном городе. В мире есть тысячи официальных сервисных дилеров компании Briggs & Stratton, обеспечивающих качественный сервис. Ближайшего официального сервисного дилера можно найти по нашей карте дилеров на веб-сайте BRIGGSandSTRATTON.COM.

### Генератор

Номер модели \_\_\_\_\_

Версия \_\_\_\_\_

Серийный номер \_\_\_\_\_

Дата покупки \_\_\_\_\_

### Двигатель

Номер модели \_\_\_\_\_

Номер типа \_\_\_\_\_

Номер кода \_\_\_\_\_

## Содержание

<b>Техника безопасности при эксплуатации</b> .....	<b>5</b>
Описание оборудования .....	5
Важная информация по безопасности .....	5
<b>Сборка</b> .....	<b>7</b>
Распаковка генератора .....	7
Добавление моторного масла .....	7
Добавление топлива .....	7
Подсоединение отрицательного провода аккумулятора .....	7
<b>Особенности и элементы управления</b> .....	<b>7</b>
Зарядное устройство .....	7
<b>Эксплуатация</b> .....	<b>8</b>
Зажим заземления .....	8
Расположение генератора .....	8
Запуск двигателя .....	8
Подключение электрических нагрузок .....	8
Остановка двигателя .....	9
Отключение из-за низкого уровня масла .....	9
Работа в холодную погоду .....	9
Не перегружайте генератор .....	9
<b>Техническое обслуживание</b> .....	<b>10</b>
Расписание технического обслуживания .....	10
Техническое обслуживание двигателя .....	10
Техническое обслуживание аккумулятора .....	10
Очистите топливный фильтр следующим образом .....	10
Очистка топливного фильтра .....	10
Хранение .....	11
<b>Поиск и устранение неисправностей</b> .....	<b>12</b>
<b>Технические характеристики</b> .....	<b>12</b>
Технические характеристики изделия .....	12
Запасные части для общего обслуживания .....	12
<b>Гарантии</b> .....	<b>13</b>
Гарантия владельца генератора .....	13

© 2011, Briggs & Stratton Power Products Group, LLC,

Милуоки, штат Висконсин, США. Все права защищены.

BRIGGS & STRATTON POWER PRODUCTS является зарегистрированной

торговой маркой компании Briggs & Stratton,

Милуоки, штат Висконсин, США.

ПЕРЕВОД ОРИГИНАЛЬНЫХ ИНСТРУКЦИЙ



# Техника безопасности при эксплуатации

## Описание оборудования



Внимательно прочтите данное руководство и ознакомьтесь с генератором. Узнайте об областях его применения, его ограничениях и любых связанных с ним опасностях.

Генератор с приводом от двигателя является генератором переменного тока (АС) с вращающимся полем. Он предназначен для подачи электроэнергии для работы совместимого электрического освещения, бытовых приборов, инструментов и электродвигателей. Вращающееся поле генератора создается вращением одноцилиндрового двигателя с частотой вращения около 3000 об/мин.

Предприняты максимальные усилия для обеспечения точности и актуальности информация в данном руководстве. Тем не менее, производитель оставляет за собой право изменять, исправлять или иначе улучшать генератор и настоящую документацию в любое время без предварительного уведомления.

## Важная информация по безопасности

Производитель не может предусмотреть все возможные обстоятельства, в которых возможна опасность. Поэтому предупреждения в данном руководстве, а также бирки и наклейки, прикрепленные к оборудованию, учитывают не все. При использовании процедуры, метода работы или рабочего приема, который не были конкретно рекомендованы производителем, следует убедиться в их безопасности для пользователя и других лиц. Также следует убедиться, что выбранная процедура, метод работы или рабочий прием не сказываются на безопасности генератора.

## Обозначения опасности и пояснения к ним



Ядовитые газы



Отдача



Электрический удар



Воспламенение



Взрыв



Руководство по эксплуатации




Движущиеся детали





Выброс предметов




Горячая поверхность

 Предупредительный знак опасности указывает на возможную опасность получения травмы. Со знаком опасности используется сигнальное слово («ОПАСНО», «ОСТОРОЖНО» или «ВНИМАНИЕ»), указывающее на степень серьезности возможной опасности. Предупредительный знак может указывать на вид опасности. Сигнальное слово «ПРИМЕЧАНИЕ» указывает на ситуации, не связанные с опасностью получения травм

 **ОПАСНО** указывает на опасную ситуацию, которая, если ее не избежать, *приведет* к смертельному исходу или получению серьезных травм.

 **ОСТОРОЖНО** указывает на опасную ситуацию, которая, если ее не избежать, *может привести* к смертельному исходу или получению серьезных травм.

 **ВНИМАНИЕ** указывает на опасную ситуацию, которая, если ее не избежать, *может привести* к получению травм низкой или средней тяжести.

**ПРИМЕЧАНИЕ** указывает на ситуации, не связанные с опасностью получения травм.



**ОСТОРОЖНО** Работающий двигатель выделяет угарный газ – не имеющий запаха, бесцветный, ядовитый газ.



Вдыхание угарного газа может привести к смерти, серьезной травме, головной боли, усталости, головокружению, рвоте, спутанности сознания, судорогам, тошноте или обмороку.

- Эксплуатируйте это изделие ТОЛЬКО на открытом воздухе.
- Установите сигнализатор угарного газа, работающий от батареи, около спальни.
- Не допускайте проникновения выхлопных газов в ограниченное пространство через окна, двери, вентиляционные отверстия или другие отверстия.
- НЕ используйте это изделие в здании, на крытой автостоянке, на веранде, в передвижном оборудовании, на судне или в закрытом пространстве, даже если окна и двери открыты.



**ОСТОРОЖНО** Отдача пускового тросика (быстрое втягивание) происходит настолько быстро, что можно не успеть отпустить руку, притягиваемую к двигателю – это может привести к переломам, трещинам, ушибам или растяжениям связок и в результате – к серьезной травме.



- При запуске двигателя, сначала медленно потяните за шнур, а затем, когда почувствуете сопротивление, потяните быстро, чтобы избежать отдачи.
- НИКОГДА не запускайте и не останавливайте двигатель с подключенными и включенными электрическими устройствами.



**ОСТОРОЖНО** Напряжение генератора может привести к поражению электрическим током или ожогу и в результате – к смерти или серьезной травме.



- Используйте утвержденное передающее оборудование для предотвращения возможного поражения работников электроэнергетической компании обратным током путем изоляции генератора от общей электросети.
- При использовании генератора для резервного питания, уведомите электроэнергетическую компанию.
- НЕ подключайте генератор к электрической системе здания.
- Используйте устройство защитного отключения (УЗО) в любой влажной зоне или зоне с высокой проводимостью, например, на металлическом настиле или в стальной конструкции.
- НЕ прикасайтесь к оголенным проводам или штепсельным разъемам.
- НЕ используйте генератор с изношенными, потертыми, оголенными или иным образом поврежденными электрическими шнурами.
- НЕ эксплуатируйте генератор в дождь или в сырую погоду.
- НЕ заводите и не трогайте генератор или электрические шнуры, находясь в воде, босиком, с мокрыми руками или ногами.
- НЕ разрешайте неквалифицированным лицам или детям заводить или производить обслуживание генератора.

**ОСТОРОЖНО** Тепло выхлопных газов/выхлопные газы могут привести к воспламенению горячих веществ и сооружений или повреждению топливного бака и, соответственно, к пожару и в результате – к смерти, серьезной травме и/или материальному ущербу.

Контакт с зоной глушителя может привести к ожогам и в результате – к серьезной травме.

- НЕ прикасайтесь к горячим деталям и **ОСТЕРЕГАЙТЕСЬ** горячих выхлопных газов.
- Дайте оборудованию остыть, прежде чем дотрагиваться до него.
- Обеспечьте свободное пространство не менее 1,5 м вокруг генератора, включая пространство сверху.
- Обратитесь к изготовителю комплектного оборудования, продавцу или дилеру для приобретения искроуловителя, предназначенного для выхлопной системы, установленной на этом двигателе.
- Запасные части должны быть идентичными оригинальным частям и устанавливаться на их место.

**ОСТОРОЖНО** Непреднамеренное искрение может привести к пожару или поражению электрическим током и в результате – к смерти или серьезной травме.

**ПРИ РЕГУЛИРОВКЕ ИЛИ РЕМОНТЕ ГЕНЕРАТОРА**

- Отсоедините провод свечи зажигания от самой свечи и поместите его там, где он не может контактировать со свечой зажигания.

**ПРИ ПРОВЕРКЕ СИСТЕМЫ ЗАЖИГАНИЯ**

- Используйте только утвержденный прибор для испытания свечи зажигания.
- НЕ проверяйте наличие искры при вынутой свече зажигания.

**ОСТОРОЖНО** Стартер и другие вращающиеся части могут втянуть руки, волосы, одежду или аксессуары и в результате привести к серьезной травме.

- НИКОГДА не эксплуатируйте генератор без защитного кожуха или крышек.
- Не носите свободную одежду, украшения или что-нибудь, что может попасть в стартер или другие вращающиеся части.
- Затяните длинные волосы и снимите украшения.

**ОСТОРОЖНО** Топливо и его пары являются чрезвычайно легковоспламеняющимися и взрывоопасными – это может привести к ожогам, пожару или взрыву и в результате – к смерти, серьезной травме и/или материальному ущербу.

**ПРИ ДОБАВЛЕНИИ ИЛИ СЛИВЕ ТОПЛИВА**

- Прежде чем открыть крышку топливного бака, выключите генератор и дайте ему остыть в течение по крайней мере 2 минут. Медленно отвинтите пробку для сброса давления в баке.
- Заполняйте или сливайте топливный бак на открытом воздухе.
- НЕ переполняйте топливный бак. Оставьте место для расширения топлива.
- В случае пролива топлива подождите, пока оно испарится, и только после этого запустите двигатель.
- Держите топливо на расстоянии от искр, открытого огня, запальных устройств, жара и других источников возгорания.
- Регулярно проверяйте топливопровод, бак, крышку и фитинги на наличие трещин и утечек. При необходимости проведите замену.
- НЕ зажигайте сигарету и не курите.

**ПРИ ЗАПУСКЕ ОБОРУДОВАНИЯ**

- Убедитесь в наличии свечи зажигания, глушителя, крышки топливного бака и воздушного фильтра.
- НЕ проворачивайте двигатель при отсутствии свечи зажигания.

**ПРИ ЭКСПЛУАТАЦИИ ОБОРУДОВАНИЯ**

- НЕ эксплуатируйте это изделие в здании, на крытой автостоянке, на веранде, в передвижном оборудовании, на судне или в закрытом пространстве.
- НЕ наклоняйте двигатель или оборудование так, чтобы могло пролиться топливо.
- НЕ останавливайте двигатель путем перемещения управления воздушной заслонкой в положение «Воздушная заслонка» (1 1/4).

**ПРИ ТРАНСПОРТИРОВКЕ, ПЕРЕМЕЩЕНИИ ИЛИ РЕМОНТЕ ОБОРУДОВАНИЯ**

- Транспортируйте/перемещайте/ремонтируйте с ПУСТЫМ топливным баком или ЗАКРЫТЫМ краном подачи топлива.
- НЕ наклоняйте двигатель или оборудование так, чтобы могло пролиться топливо.
- Отключите провод свечи зажигания.

**ПРИ ХРАНЕНИИ ТОПЛИВА ИЛИ ОБОРУДОВАНИЯ С ТОПЛИВОМ В БАКЕ**

- Во избежание воспламенения паров топлива храните его вдали от котлов, печей, водонагревателей, сушилок для белья и прочих приборов, в которых используется горелка или иной источник воспламенения.

**ВНИМАНИЕ** Чрезмерно высокая скорость работы может привести к травме и/или повреждению генератора.

Чрезмерно низкая скорость приводит к большой нагрузке.

- Для увеличения скорости работы двигателя НЕ меняйте настройку пружины регулятора, тяг и иных деталей.
- НЕ изменяйте генератор никаким образом.

**ПРИМЕЧАНИЕ** Превышение номинальной мощности или тока генератора может привести к повреждению генератора и/или подключенных к нему электрических устройств.

- НЕ превышайте номинальную мощность или ток генератора. См. подраздел *Не перегружайте генератор* в разделе *Эксплуатация*.
- Запустите генератор и позвольте двигателю стабилизироваться до подключения электрических нагрузок.
- Подключите электрические нагрузки в выключенном положении, затем включите питание для работы.
- Выключите электрические нагрузки и отсоедините их от генератора перед его остановкой.

**ПРИМЕЧАНИЕ** Неквалифицированное обращение с генератором может повредить его и сократить срок его службы.

- Используйте генератор только по назначению.
- В случае вопросов об использовании по назначению спросите дилера или обратитесь в местный сервисный центр.
- Эксплуатируйте генератор только на ровной поверхности.
- НЕ подвергайте генератор воздействию повышенной влажности, пыли, грязи, или агрессивных паров.
- НЕ вставляйте предметы через каналы системы воздушного охлаждения.
- При перегреве подключенных устройств выключите их и отключите от генератора.
- Выключите генератор, если:
  - электрическая мощность потеряна;
  - оборудование искрит, дымит или выпускает пламя;
  - генератор чрезмерно вибрирует.

## Сборка

Генератор готов к использованию после надлежащего обслуживания с рекомендуемым топливом и маслом.

При возникновении проблем с обслуживанием генератора, обратитесь в местный сервисный центр Briggs & Stratton. Если необходима помощь, следует указать модель, версию, а также серийный номер с идентификационной наклейки. См. место расположения идентификационной наклейки в разделе *Особенности и элементы управления генератора*.

### Распаковка генератора

1. Поместите картонную коробку на жесткую, ровную поверхность.
2. Выньте все из картонной коробки.

### В комплект поставки генератора входят:

- руководство по эксплуатации
- Устройство для непрерывной зарядки/подзарядки
- Ключ

### Добавление моторного масла

1. Поместите генератор на горизонтальную поверхность.
2. Добавьте моторное масло, как описано в подразделе *Добавление моторного масла* раздела *Техническое обслуживание двигателя*.

**ПРИМЕЧАНИЕ** Неквалифицированное обращение с генератором может повредить его и сократить срок его службы.

- НЕ пытайтесь проверить или запустить двигатель до надлежащего обслуживания с рекомендуемым маслом. Это может привести к отказу двигателя.

### Добавление топлива **Рис. 1**

#### Топливо должно отвечать следующим требованиям:

- Чистый, свежий, неэтилированный бензин.
- Октановое число не менее 87 ОЧ/87 АК1 (91 ОЧИ). Для использования на большой высоте см. подраздел *Использование на большой высоте над уровнем моря*.
- Бензин с содержанием до 10% этанола (бензоспирт) или до 15% МТВЕ (третичный метилбутиловый эфир), допускается.

**ПРИМЕЧАНИЕ** Избегайте повреждения генератора.

Несоблюдение рекомендаций руководства оператора в отношении топлива аннулирует гарантию.

- Не используйте несанкционированный бензин, например Е85.
- ЗАПРЕЩАЕТСЯ смешивание масла с бензином.
- НЕ изменяйте двигатель для работы на альтернативных видах топлива.

Для защиты топливной системы от образования смолы, примешивайте к добавляемому топливу стабилизатор топлива см. раздел *Хранение*. Не все виды топлива одинаковы. Если после использования определенного топлива возникают трудности при запуске или эксплуатации двигателя, поменяйте поставщика топлива или торговые марки топлива. Данный двигатель сертифицирован для работы на бензине Система понижения токсичности выхлопа данного двигателя зависит от его модификации.



**ОСТОРОЖНО** Топливо и его пары являются чрезвычайно легковоспламеняющимися и взрывоопасными – это может привести к ожогам, пожару или взрыву и в результате – к смерти, серьезной травме и/или материальному ущербу.

#### ПРИ ЗАПРАВКЕ ТОПЛИВОМ

- Прежде чем открыть крышку топливного бака, выключите генератор и дайте ему остыть в течение по крайней мере 2 минут. Медленно отвинтите пробку для сброса давления в баке.
- Заполняйте топливный бак на открытом воздухе.
- НЕ переполняйте топливный бак. Оставьте место для расширения топлива.
- В случае пролива топлива подождите, пока оно испарится, и только после этого запускайте двигатель.
- Держите топливо на расстоянии от искр, открытого огня, запальных устройств, жара и других источников возгорания.
- Регулярно проверяйте топливпровод, бак, крышку и фитинги на наличие трещин и утечек. При необходимости проведите замену.
- НЕ зажигайте сигарету и не курите.

1. Очистите зону вокруг крышки топливного бака, а затем снимите крышку.
2. Медленно добавляйте неэтилированное топливо до красного индикатора уровня топлива (А) в топливном баке. Будьте осторожны, чтобы не заполнить выше индикатора. Это оставляет достаточно места для расширения топлива.
3. Установите обратно крышку топливного бака и дайте испариться любому пролитому топливу перед запуском двигателя.

### Использование на большой высоте над уровнем моря

На высотах более 1500 м приемлем бензин с октановым числом минимум 85 ОЧ/85 АК1 (89 ОЧИ). Чтобы соответствовать требованиям по выхлопу, необходимо провести регулировку для большой высоты. Эксплуатация без такой регулировки приведет к ухудшению работы, повышенному потреблению топлива и повышению токсичности выхлопа. За информацией о регулировке для большой высоты обратитесь к официальному дилеру Briggs & Stratton. Не рекомендуется эксплуатация двигателя, отрегулированного для большой высоты, на высоте ниже 750 м.

### Подсоединение отрицательного провода аккумулятора **Рис. 2**

Генератор имеет возможность запуска электрическим стартером, но может быть запущен вручную. Если решено не использовать функцию запуска электрическим стартером, подсоединение отрицательного провода аккумулятора не требуется.

Герметичный аккумулятор на генераторе имеет предварительное подключение за исключением отрицательного (черного) провода аккумулятора.

#### Для установки:

1. Отрежьте стяжку, крепящую свободный конец отрицательного (черного) провода.
2. Используя 8 мм торцевой гаечный ключ, выньте винт (А), стопорную шайбу (В) и плоскую шайбу (С) из отрицательной клеммы аккумулятора.
3. Наденьте стопорную шайбу, плоскую шайбу и отрицательный провод аккумулятора (D) на винт, как показано.
4. Снова установите винт в отрицательную клемму аккумулятора и затяните.
5. Убедитесь, что соединения с аккумулятором и генератором хорошо затянуты и надежны.

**ПРИМЕЧАНИЕ** Если аккумулятор разряжен, зарядите его перед использованием, следуя инструкциям в разделе *Зарядное устройство*.

### Особенности и элементы управления **Рис. 3**



**Перед началом работы с генератором ознакомьтесь с данным руководством оператора и правилами техники безопасности.** Сравните иллюстрации с генератором, чтобы ознакомиться с местами расположения различных элементов управления и регулировок. После ознакомления с данным руководством следует сохранить его, чтобы в дальнейшем пользоваться им как справочником.

**А – Пусковой выключатель** – поверните ключ в положение для запуска (I), чтобы запустить двигатель. Поверните ключ в выключенное положение (O) для выключения двигателя.

**В – Счетчик моточасов** – отображает и записывает число часов работы генератора (до 9 999,9). Полезен для обеспечения выполнения текущего обслуживания по графику.

**С – Рычаг воздушной заслонки** – Используется при запуске холодного двигателя.

**Д – Гнездо устройства для непрерывной зарядки/подзарядки** – используйте это гнездо для поддержания аккумулятора заряженным и готовым к использованию.

**Е – Штепсельные розетки 230 В перем. тока** – Могут использоваться для электропитания электрических устройств, освещения, приборов, инструментов и электродвигателей, рассчитанных на 230 В перем. тока, однофазн., 50 Гц.

**Г – Автоматические выключатели (АС)** – штепсельные разъемы снабжены автоматическими выключателями для защиты генератора от электрической перегрузки.

**Ж – Крышка маслозаливной горловины** – Здесь проверяется уровень и добавляется моторное масло.

**З – Пробка для слива масла** – слейте моторное масло здесь.

**И – Глушитель с искроуловителем** – Глушитель снижает шум двигателя и оснащен искроулавливающим экраном.

**К – Зажим заземления** – Узнайте о требованиях к заземлению в местном органе энергонадзора.

**Л – Идентификационная наклейка** – На ней указаны модель, версия, а также серийный номер генератора. Их следует всегда указывать при обращении за помощью.

**М – Воздушный фильтр** – Защищает двигатель с помощью фильтрации пыли и мусора из поступающего воздуха.

**Н – Шнуровой стартер** – Используется для запуска двигателя вручную.

**О – Топливный клапан** – используется для включения подачи топлива и выключения двигателя.

**Р – Топливный бак** – Емкость 30 л.

#### Не показанные компоненты

**Идентификационные данные двигателя (отштампованы на боковой поверхности)** – указывают модель, тип и код двигателя. Их следует всегда указывать при обращении за помощью.

### Зарядное устройство **Рис. 3**

Используйте гнездо устройства для непрерывной зарядки/подзарядки для поддержания аккумулятора заряженным и готовым к использованию. Аккумулятор следует заряжать в сухом месте, например, внутри гаража.

1. Вставьте разъем зарядного устройства в гнездо устройства для непрерывной зарядки/подзарядки (З, Д), расположенное ниже пускового выключателя. Вставьте шнур зарядного устройства аккумулятора в настенную электрическую розетку 230 В перем. тока.
2. Отключайте зарядное устройство от генератора и стеновой розетки при запуске генератора и во время его работы.
3. Держите это зарядное устройство подключенным, когда генератор не используется, чтобы продлить срок службы аккумулятора. Зарядное устройство имеет встроенную схему, определяющую уровень зарядки аккумулятора, и не будет избыточно заряжать аккумулятор, даже при подключении в течение длительного времени.

**ПРИМЕЧАНИЕ** См. раздел *Техническое обслуживание аккумулятора* для дополнительной информации.

## Эксплуатация

### Зажим заземления

Генератор оснащен зажимом заземления. Местными электротехническими нормами и правилами может требоваться его подсоединение к подходящему заземлению. Нейтраль генератора является плавающей, что означает, что обмотка статора переменного тока изолирована от зажима заземления и контактов заземления штепсельного разъема переменного тока. Электрические устройства, такие как УЗО, требующие заземленной нейтрали, не могут работать правильно от этого генератора.

### Требования к электрооборудованию

Могут быть федеральные, местные нормы и правила или постановления, которые применяются к намеченной области использования генератора. Узнайте о них у квалифицированного электрика, инспектора энергонадзора или в местном органе энергонадзора:

- Этот генератор имеет плавающую нейтраль и не предназначен для использования на объектах, где требуется присоединенная нейтраль.

### Расположение генератора **Рис. 4**



**ОСТОРОЖНО** Работающий двигатель выделяет угарный газ – не имеющий запаха, бесцветный, ядовитый газ. Вдыхание угарного газа может привести к смерти, серьезной травме, головной боли, усталости, головокружению, рвоте, спутанности сознания, судорогам, тошноте или обмороку.

- Эксплуатируйте это изделие ТОЛЬКО на открытом воздухе.
- Установите сигнализатор угарного газа, работающий от батареи, около спальни.
- Не допускайте проникновения выхлопных газов в ограниченное пространство через окна, двери, вентиляционные отверстия или другие отверстия.
- НЕ используйте это изделие в здании, на крытой автостоянке, на веранде, в передвижном оборудовании, на судне или в закрытом пространстве, даже если окна и двери открыты.

### Зазоры и движение воздуха

Расположите генератор на открытом воздухе там, где не будут накапливаться смертельные выхлопные газы. НЕ устанавливайте генератор там, где выхлопные газы (А) могут накапливаться и попадать в помещение или всасываться в здание, в котором могут быть люди. Обеспечьте, чтобы выхлопные газы были на удалении от любых окон, дверей, вентиляционных отверстий или других отверстий, которые могут позволить выхлопным газам накапливаться в ограниченном пространстве. При расположении генератора следует учитывать преобладающие направления ветра и воздушные потоки.

### Запуск двигателя **Рис. 3**

Отсоедините от генератора все электрические нагрузки. Выполняйте при запуске следующие инструкции:

1. Убедитесь, что генератор находится на ровной, горизонтальной поверхности

**ПРИМЕЧАНИЕ** Несоблюдение требования запуска и работы генератора на ровной, горизонтальной поверхности приводит к тому, что он не запускается или отключается во время работы.

2. Поверните кулисный переключатель двигателя (3, Р) во включенное положение (I).
3. Вытяните управление воздушной заслонкой (3, С), чтобы закрыть ее (↓).

- 4А. Для запуска электрическим стартером поверните ключ в пусковом переключателе (3, А) в положение для запуска (⊕) и удерживайте его в этом положении до запуска генератора. Чтобы продлить срок службы компонентов стартера, НЕ удерживайте ключ в положении для запуска (⊕) более 15 с, и делайте паузу между попытками запуска продолжительностью не менее 1 мин.
  - Если двигатель запустится, перейдите к операции 6.
  - Если двигатель не запустится, перейдите к операции 5.

**ПРИМЕЧАНИЕ** Если аккумулятор разряжен, используйте указания по ручному запуску.

- 4В. Для ручного запуска поверните ключ в пусковом переключателе в положение для работы (II), возьмите ручку шнурового стартера (3, N) и медленно потяните, пока не почувствуете небольшое сопротивление. Затем быстро потяните только один раз для запуска двигателя.



**ОСТОРОЖНО** Отдача пускового тросика (быстрое втягивание) происходит настолько быстро, что можно не успеть отпустить руку, притягиваемую к двигателю – это может привести к переломам, трещинам, ушибам или растяжениям связок и в результате – к серьезной травме.

- При запуске двигателя, сначала медленно потяните за шнур, а затем, когда почувствуете сопротивление, потяните быстро, чтобы избежать отдачи.
- НИКОГДА не запускайте и не устанавливайте двигатель с подключенными и включенными электрическими устройствами.
  - Если двигатель запустится, перейдите к операции 6.
  - Если двигатель не запустится, перейдите к операции 5.
- 5. Вдавите рычаг воздушной заслонки в среднее положение, поверните ключ в пусковом переключателе в положение для работы (II) и потяните ручку шнурового стартера дважды или поверните ключ в пусковом переключателе в положение для запуска (⊕) и удерживайте его в этом положении, как описано в шаге 4А.
  - Если двигатель не запустится, повторите операции 3 и 4.
- 6. Постепенно открывайте воздушную заслонку по мере прогрева двигателя, нажимая на рычаг воздушной заслонки.

**ПРИМЕЧАНИЕ** В случае заливания двигателя переместите рычаг воздушной заслонки в рабочее положение (↑) и проверните двигатель рукояткой, пока он не запустится.

**ПРИМЕЧАНИЕ** Если двигатель запускается после 3 натяжений, а потом не работает, или, если генератор выключается во время работы, убедитесь, что генератор находится на горизонтальной поверхности, а масло в картере – на правильном уровне. Этот генератор оснащен устройством защиты от низкого уровня масла. Поэтому масло должно быть на правильном уровне, позволяющем запуск двигателя.



**ОСТОРОЖНО** Тепло выхлопных газов/выхлопные газы могут привести к воспламенению горючих веществ и сооружений или повреждению топливного бака и, соответственно, к пожару и в результате – к смерти, серьезной травме и/или материальному ущербу.

Контакт с зоной глушителя может привести к ожогам и в результате – к серьезной травме.

- НЕ прикасайтесь к горячим деталям и **ОСТЕРЕГАЙТЕСЬ** горячих выхлопных газов.
- Дайте оборудованию остыть, прежде чем дотрагиваться до него.
- Обеспечьте свободное пространство не менее 1,5 м вокруг генератора, включая пространство сверху.
- Обратитесь к изготовителю комплектного оборудования, продавцу или дилеру для приобретения искроуловителя, предназначенного для выхлопной системы, установленной на этом двигателе.
- Запасные части должны быть идентичными оригинальным частям и устанавливаться на их место.

### Подключение электрических нагрузок

Используйте только высококачественные, хорошо изолированные кабели-удлинители с розетками генератора 230 В перемен. тока. Осматривайте кабели-удлинители перед каждым использованием. Убедитесь, что все кабели-удлинители имеют соответствующие номинальные параметры и не повреждены. Используйте как можно более короткие кабели-удлинители, чтобы минимизировать падение напряжения.



**ОСТОРОЖНО** Поврежденные или перегруженные электрические кабели могут перегреться, создавать дугу и гореть, что в результате может привести к смерти, серьезной травме и/или материальному ущербу.

- Используйте ТОЛЬКО кабели-удлинители с соответствующими номинальными параметрами.
- Соблюдайте все инструкции по технике безопасности в отношении кабелей-удлинителей.
- Осматривайте кабели перед каждым использованием.

1. После запуска дайте двигателю стабилизироваться и прогреться в течение нескольких минут.
2. Подключите и включите необходимые электрические нагрузки, рассчитанные на 230 В перемен. тока, однофазн., 50 Гц.

### ПРИМЕЧАНИЕ

- НЕ подключайте 3-фазные нагрузки к генератору.
- НЕ подключайте нагрузки 60 Гц к генератору.
- НЕ ПЕРЕГРУЖАЙТЕ ГЕНЕРАТОР. См. подраздел *Не перегружайте генератор*.

**ПРИМЕЧАНИЕ** Превышение номинальной мощности или тока генератора может привести к повреждению генератора и/или подключенных к нему электрических устройств.

- НЕ превышайте номинальную мощность или ток генератора. См. подраздел *Не перегружайте генератор* в разделе *Эксплуатация*.
- Запустите генератор и позвольте двигателю стабилизироваться до подключения электрических нагрузок.
- Подключите электрические нагрузки в выключенном положении, затем включите питание для работы.
- Выключите электрические нагрузки и отсоедините их от генератора перед его остановкой.




**ОСТОРОЖНО** Напряжение генератора может привести к поражению электрическим током или ожогу и в результате – к смерти или серьезной травме.

- НЕ подключайте генератор к электрической системе здания.
- НЕ прикасайтесь к оголенным проводам или штепсельным разъемам.
- НЕ используйте генератор с изношенными, потертыми, оголенными или иным образом поврежденными электрическими шнурами.
- НЕ эксплуатируйте генератор в дождь или в сырую погоду.
- НЕ заводите и не трогайте генератор или электрические шнуры, находясь в воде, босиком, с мокрыми руками или ногами.
- НЕ разрешайте неквалифицированным лицам или детям заводить или производить обслуживание генератора.

## Остановка двигателя

1. Выключите и отсоедините все электрические нагрузки от штепсельных разъемов панели генератора. НИКОГДА не запускайте и не останавливайте двигатель с подключенными и включенными электрическими устройствами.
2. Дайте двигателю поработать на холостом ходу в течение нескольких минут для стабилизации внутренней температуры двигателя и генератора.
3. Поверните топливный клапан в выключенное положение (0).



**ОСТОРОЖНО** Топливо и его пары являются чрезвычайно легковоспламеняющимися и взрывоопасными – это может привести к ожогам, пожару или взрыву и в результате – к смерти, серьезной травме и/или материальному ущербу.

- НЕ останавливайте двигатель путем перемещения управления воздушной заслонкой в положение «Воздушная заслонка» (1/2).

4. Поверните топливный клапан в выключенное положение (0)..

## Отключение из-за низкого уровня масла

Если уровень моторного масла падает ниже заданного уровня, масляный выключатель останавливает двигатель. Проверьте уровень масла щупом.

**Если уровень масла находится между отметками щупа ADD (ДОБАВИТЬ) и FULL (ПОЛНЫЙ):**

1. НЕ пытайтесь запустить двигатель.
2. Обратитесь к уполномоченному сервисному дилеру Briggs & Stratton.
3. НЕ эксплуатируйте двигатель, пока уровень масла не будет исправлен.

**Если уровень масла находится ниже отметки щупа ADD (ДОБАВИТЬ):**

1. Добавьте масло, чтобы оно было на уровне отметки FULL (ПОЛНЫЙ).
2. Запустите двигатель, и, если он остановится снова, возможно, уровень масла все еще низкий. НЕ пытайтесь запустить двигатель.
3. Обратитесь к уполномоченному сервисному дилеру Briggs & Stratton.
4. НЕ эксплуатируйте двигатель, пока уровень масла не будет исправлен.

## Работа в холодную погоду 5 Рис.

При определенных погодных условиях (температуре ниже 4°C в сочетании с высокой влажностью) может возникнуть обледенение карбюратора и/или системы вентиляции картера генератора. Чтобы уменьшить эту проблему, необходимо выполнить следующее:

1. Убедитесь, что в генераторе чистое, свежее топливо.
2. Откройте топливный клапан (поверните клапан во включенное положение).
3. Используйте масло SAE 5W-30.
4. Проверяйте уровень масла ежедневно или после каждых 8 (восьми) часов работы.
5. Выполняйте техническое обслуживание генератора в соответствии с подразделом Расписание технического обслуживания раздела Техническое обслуживание.
6. Укройте генератор от воздействия осадков.

## Строительство укрытия для защиты от воздействия холодной погоды

1. Используя негорючий материал, имеющий класс пожарной безопасности не менее одного часа, постройте укрытие, защищающее генератор с трех сторон и сверху. Убедитесь, что со стороны глушителя генератор открыт.


**ПРИМЕЧАНИЕ** Свяжитесь с местным поставщиком строительных материалов, чтобы узнать о негорючих материалах, имеющих класс пожарной безопасности не менее одного часа.

**ПРИМЕЧАНИЕ** Убедитесь, что укрытие можно легко перемещать при изменении направления ветра.

2. НЕ огораживайте генератор больше, чем показано на рисунке. Укрытие должно удерживать достаточно тепла, создаваемого генератором, для предотвращения проблемы обледенения.

**ПРИМЕЧАНИЕ** Если на генераторе установлен комплект колес, укрытие необходимо соответственно увеличить.

3. Вырежьте соответствующие отверстия для доступа к штепсельным разъемам генератора.
4. Открытый конец генератора должен быть со стороны, обратной направлению ветра и осадков.
5. Установите генератор, как описано в разделе Расположение генератора. Не допускайте проникновения выхлопных газов в изолированную зону через окна, двери, вентиляционные всасывающие устройства или другие отверстия.




**ОСТОРОЖНО** Работающий двигатель выделяет угарный газ – не имеющий запаха, бесцветный, ядовитый газ.

Вдыхание угарного газа может привести к смерти, серьезной травме, головной боли, усталости, головокружению, рвоте, спутанности сознания, судорогам, тошноте или обмороку.

- Эксплуатируйте это изделие ТОЛЬКО на открытом воздухе.
- Установите сигнализатор угарного газа, работающий от батареи, около спальни.
- Не допускайте проникновения выхлопных газов в ограниченное пространство через окна, двери, вентиляционные отверстия или другие отверстия.
- НЕ используйте это изделие в здании, на крытой автостоянке, на веранде, в передвижном оборудовании, на судне или в закрытом пространстве, даже если окна и двери открыты.

6. Запустите генератор, как описано в разделе Запуск двигателя, затем накройте генератор укрытием. Обеспечьте свободное пространство не менее 1,5 м вокруг генератора, включая пространство сверху, при установленном укрытии.



**ОСТОРОЖНО** Тепло выхлопных газов/выхлопные газы могут привести к воспламенению горючих веществ и сооружений или повреждению топливного бака и, соответственно, к пожару и в результате – к смерти, серьезной травме и/или материальному ущербу.

Контакт с зоной глушителя может привести к ожогам и в результате – к серьезной травме.

- НЕ прикасайтесь к горячим деталям и ОСТЕРЕГАЙТЕСЬ горячих выхлопных газов.
- Дайте оборудованию остыть, прежде чем дотрагиваться до него.
- Обеспечьте свободное пространство не менее 1,5 м вокруг генератора, включая пространство сверху.
- Снимайте укрытие, когда температура выше 4°C.

7. Снимайте укрытие, когда температура выше 4°C.
8. ВЫКЛЮЧИТЕ двигатель и дайте ему остыть в течение 2 (двух) минут перед заправкой. Дайте любому разлитому топливу испариться перед запуском двигателя.

## Не перегружайте генератор

### Расчетная мощность

Следует убедиться, что генератор может создавать достаточную номинальную (рабочую) мощность и мощность при скачке напряжения (при запуске) для компонентов, получающих питание одновременно. Выполните следующие простые операции:

1. Выберите компоненты для одновременного получения питания.
2. Определите их суммарную номинальную (рабочую) мощность. Это мощность, которую генератор должен производить для работы этих компонентов. См. справочное руководство по мощности.
3. Оцените требуемую мощность при скачке напряжения (при запуске). Мощность при скачке напряжения – это короткий импульс мощности, необходимый для запуска инструментов или устройств, работающих от двигателя, таких как циркулярная пила или холодильник. Поскольку все двигатели не запускаются одновременно, для оценки суммарной мощности при скачке напряжения можно взять только компонент(ы) с максимальной дополнительной мощностью при скачке напряжения. Полученное значение добавляется к суммарной номинальной мощности, полученной в операции 2.

### Пример:

Инструмент или прибор	Номинальная (рабочая) мощность, Вт	Дополнительная мощность при скачке напряжения (при запуске), Вт
Оконный вентилятор	300	600
Морозильная камера	500	500
Телевизор	500	—
Система безопасности	180	—
Лампочка освещения (75 Вт)	75	—
	Всего номинальная (рабочая) мощность 1555 Вт	Максимальная мощность при скачке напряжения 600 Вт

Суммарная номинальная (рабочая) мощность = 1555

Максимальная дополнительная мощность при скачке напряжения = 600

Суммарная требуемая мощность генератора = 2155

### Распределение мощности

Чтобы продлить срок службы генератора и подключенных к нему устройств, важно проявлять внимание при добавлении к нему электрических нагрузок. Др запуска двигателя к генератору не должно быть подсоединено ничего. Надежным и безопасным способом распределения мощности генератора является последовательное добавление нагрузок следующим образом:

1. Когда к генератору ничего не подключено, запустите двигатель, как описано в данном руководстве.
2. Подключите и включите первую нагрузку, желательно самую большую из имеющихся.
3. Дождитесь стабилизации выходной мощности генератора (двигатель работает ровно, и подключенное устройство функционирует нормально).
4. Подключите и включите следующую нагрузку.
5. Снова дождитесь стабилизации генератора.
6. Повторите операции 4 и 5 для каждого дополнительной нагрузки.

НИКОГДА не добавляйте нагрузку, если это приведет к превышению расчетной мощности генератора.

Обязательно учитывайте в расчетной мощности генератора мощность при скачках напряжения на нагрузках, как описано выше.

Справочное руководство по мощности		
Инструмент или прибор	Номинальная* (рабочая) мощность, Вт	Дополнительная мощность при скачке напряжения (при запуске), Вт
<b>Предметы первой необходимости</b>		
Лампочка освещения – 75 Вт	75	—
Морозильная камера	500	500
Водоотливной насос	800	1200
Холодильник/морозильник – 18 куб. футов.	800	1600
Водяной скважинный насос – 1/3 л.с.	1000	2000
<b>Отопление/охлаждение</b>		
Оконный кондиционер воздуха – 10 000 BTU	1200	1800
Оконный вентилятор	300	600
Печная воздуходувка – 1/2 л.с.	800	1300
Кухня		
Микроволновая печь – 1000 Вт	1000	—
Кофеварка	1500	—
Электрическая плита – один элемент	1500	—
<b>Общая комната</b>		
DVD/CD-проигрыватель	100	—
Видеомагнитофон	100	—
Стереоприемник	450	—
Цветной телевизор – 27 дюймов	500	—
Персональный компьютер с монитором 17 дюймов	800	—
<b>Прочее</b>		
Система безопасности	180	—
AM/FM-радио с часами	300	—
Устройство для открывания гаражных ворот – 1/2 л.с.	480	520
<b>Домашняя мастерская/место работ по дому</b>		
Кварцевое/галогенное рабочее освещение	1000	—
Безвоздушный распылитель – 1/3 л.с.	600	1200
Сабельная пила	960	960
Электродрель – 1/2 л.с.	1000	1000
Циркулярная пила – 7 1/4 дюйма	1500	1500

\* Указанная мощность является приблизительной. Уточните фактическую мощность, проверив инструмент или устройство.

## Техническое обслуживание

### Расписание технического обслуживания

Соблюдайте часовые или календарные интервалы обслуживания, в зависимости от того, что наступит скорее. В случае работы в неблагоприятных условиях необходимо производить обслуживание чаще.

<b>Первые 5 часов</b>
• Замена моторного масла
<b>Каждые 8 часов или ежедневно</b>
• Удаление мусора
• Проверка уровня моторного масла
<b>Каждые 25 часов или ежегодно</b>
• Обслуживание воздушного фильтра <sup>1</sup>
<b>Каждые 50 часов или ежегодно</b>
• Замена моторного масла <sup>1</sup>
<b>Каждые 100 часов или ежегодно</b>
• Обслуживание топливного клапана
• Обслуживание свечи зажигания
• Проверка глушителя и искроуловителя
• Очистка системы охлаждения <sup>1</sup>

<sup>1</sup> Выполняйте обслуживание чаще в грязных или пыльных условиях.

#### Общие указания

Регулярное обслуживание улучшает эксплуатационные характеристики и продлевает срок службы генератора. Обслуживание выполнит любой официальный сервисный дилер.

Гарантия на генератор не распространяется на компоненты, которые стали объектом злоупотребления или небрежности оператора. Для получения полной отдачи от гарантии оператор должен поддерживать генератор, как указано в данном руководстве.

**ПРИМЕЧАНИЕ** Неквалифицированное обращение с генератором может повредить его и сократить срок его службы.

- НИКОГДА не эксплуатируйте генератор без защитного кожуха или крышек для обеспечения надлежащего охлаждения.

Некоторые настройки необходимо будет делать периодически для поддержания генератора в надлежащем порядке.

Все обслуживание и регулировки следует делать по крайней мере один раз в сезон. Выполняйте требования расписания технического обслуживания выше.

**ПРИМЕЧАНИЕ** Раз в год необходимо очистить или заменить свечу зажигания и заменить воздушный фильтр. Новая свеча зажигания и чистый воздушный фильтр обеспечат правильную топливно-воздушную смесь и помогут двигателю работать лучше и дольше.

#### Техническое обслуживание генератора

Техническое обслуживание генератора заключается в содержании ее в чистом и сухом состоянии. Запускайте и храните агрегат в чистом сухом месте, защищенном от пыли, грязи, влаги и агрессивных паров. Необходимо защитить каналы системы воздушного охлаждения генератора и двигателя от забивания снегом, листьями или другими инородными материалами.

**ПРИМЕЧАНИЕ** НЕ используйте воду или другие жидкости для очистки генератора. Жидкости могут попадать в топливную систему двигателя, приводя к снижению производительности и/или отказу. Кроме того, при попадании некоторых жидкостей через каналы системы воздушного охлаждения они могут удерживаться в пустотах и трещинах изоляции обмотки ротора и статора. Скапливание жидкости и грязи на внутренних обмотках генератора в конечном счете уменьшает сопротивление изоляции этих обмоток.

#### Очистка

Ежедневно или перед использованием осматривайте пространство вокруг генератора и под ним на наличие признаков утечки масла или топлива. Уберите накопившийся мусор внутри и снаружи генератора. Осмотрите каналы и отверстия системы воздушного охлаждения на генераторе. Эти отверстия должны содержаться в чистоте и быть свободными.

Для поддержания нормальной работы и снижения риска перегрева и воспламенения скопившейся грязи двигатель и его компоненты должны содержаться в чистоте.

- Протрите наружные поверхности влажной тканью.

**ПРИМЕЧАНИЕ** Неквалифицированное обращение с генератором может повредить его и сократить срок его службы.

- НЕ подвергайте генератор воздействию повышенной влажности, пыли, грязи, или агрессивных паров.
- НЕ вставляйте предметы через каналы системы воздушного охлаждения.
- Очищайте от затвердевшей грязи или масла мягкой щетинной щеткой.
- Удаляйте грязь и мусор пылесосом.

#### Техническое обслуживание аккумулятора

Кроме непрерывной зарядки/подзарядки, описанной в других местах, обслуживание аккумулятора не требуется. Держите аккумулятор и клеммы чистыми и сухими.

**ПРИМЕЧАНИЕ** Аккумулятор следует заряжать в сухом месте, например, внутри гаража.

#### Техническое обслуживание топливного клапана **Рис. 6**

Топливный клапан оснащен чашкой для отстоя топлива, экраном и уплотнительным кольцом круглого сечения, которые необходимо очищать.

1. Переместите топливный клапан в выключенное положение (0).
2. Выньте чашку для отстоя (А) из топливного клапана. Выньте уплотнительное кольцо круглого сечения (В) и экран (С) из топливного клапана.
3. Промойте чашку для отстоя, уплотнительное кольцо круглого сечения и экран в негорючем растворителе. Полностью просушите их.
4. Установите экран и уплотнительное кольцо круглого сечения в топливный клапан. Установите чашку для отстоя и надежно затяните.
5. Переместите топливный клапан во включенное положение (I) и убедитесь в отсутствии утечек. Замените топливный клапан при наличии какой-либо утечки.

#### Техническое обслуживание двигателя

**ОСТОРОЖНО** Непреднамеренное искрение может привести к пожару или поражению электрическим током и в результате – к смерти или серьезной травме.

**ПРИ РЕГУЛИРОВКЕ ИЛИ РЕМОНТЕ ГЕНЕРАТОРА**

- Отсоедините провод свечи зажигания от самой свечи и поместите его там, где он не может контактировать со свечой зажигания.

**ПРИ ПРОВЕРКЕ СИСТЕМЫ ЗАЖИГАНИЯ**

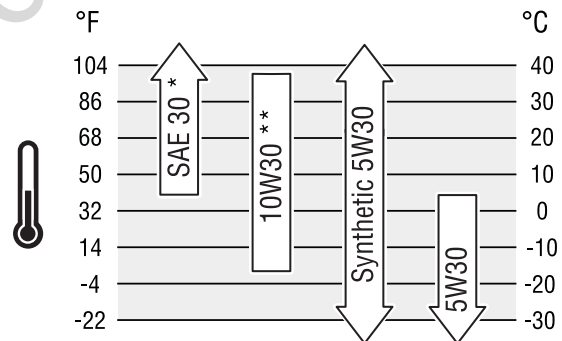
- Используйте только утвержденный прибор для испытания свечи зажигания.
- НЕ проверяйте наличие искры при вынутой свече зажигания.

#### Масло

##### Рекомендации по использованию масла

Для наилучшей производительности рекомендуется использовать соответствующие гарантии масла Briggs & Stratton. Другие высококачественные масла, содержащие моющие добавки, являются приемлемыми, если относятся к категории обслуживания SF, SG, SH, SJ или выше. Запрещается использование специальных добавок.

Наружные температуры определяют соответствующую вязкость масла для двигателя. Используйте диаграмму, чтобы выбрать наилучшую вязкость для ожидаемого диапазона наружных температур.



\* Использование SAE 30 при температуре ниже 4°C может привести к проблемам при запуске.

\*\* Использование 10W30 при температуре выше 27°C может привести к более высокому расходу масла. Часто проверяйте уровень масла.

**ПРИМЕЧАНИЕ** Синтетическое масло, соответствующее классификации ILSAC GF-2, со знаком сертификации API и обозначением API «SJ/CF ENERGY CONSERVING» или выше, подходит для любых температур. Использование синтетического масла не влияет на интервалы замены масла.



#### Проверка уровня масла **Рис. 3 7**

Уровень масла необходимо проверять перед каждым использованием или по крайней мере каждые 8 часов работы. Поддержание уровня масла.

1. Убедитесь, что генератор находится на горизонтальной поверхности.
2. Очистите зону вокруг отверстия для заливки масла (3, Б), снимите крышку маслозаливной горловины, выньте щуп и протрите его чистой ветошью. Установите измерительный щуп на место. Выньте его и проверьте уровень масла.

**ПРИМЕЧАНИЕ** НЕ ввинчивайте щуп при проверке уровня масла.

3. Убедитесь, что уровень масла находится на отметке щупа FULL (ПОЛНЫЙ) (7, А). Установите и затяните крышку маслозаливной горловины/щуп.

Русский

ru

### Добавление моторного масла

1. Убедитесь, что генератор находится на горизонтальной поверхности.
2. Повторите операции со 2 по 4, чтобы проверить уровень масла, как описано в разделе *Проверка уровня масла*.
3. При необходимости медленно залейте масло в отверстие для заливки масла до отметки щупа FULL (ПОЛНЫЙ). НЕ переполняйте.

**ПРИМЕЧАНИЕ** Переполнение маслом может привести к тому, что двигатель не будет запускаться или будет запускаться с трудом.

- НЕ переполняйте.
  - Если масло залито выше отметки щупа FULL (ПОЛНЫЙ), слейте масло, чтобы понизить его уровень до этой отметки.
4. Установите и затяните крышку маслосливной горловины/щуп.

### Замена моторного масла **Рис. 5**

Если генератор используется в очень грязных или пыльных условиях или в очень жаркую погоду, заменяйте масло чаще.

**ВНИМАНИЕ** Избегайте продолжительного или повторяющегося контакта кожи с отработанным моторным маслом

- Было показано, что отработанное моторное масло может вызвать рак кожи у некоторых лабораторных животных.
- Тщательно промойте запачканные маслом участки кожи водой с мылом.



ХРАНИТЕ В НЕДОСТУПНОМ ДЛЯ ДЕТЕЙ МЕСТЕ. НЕ ЗАГРЯЗНЯЙТЕ ОКРУЖАЮЩУЮ СРЕДУ. ЭКОНОМЬТЕ РЕСУРСЫ. ВОЗВРАЩАЙТЕ ОТРАБОТАННОЕ МАСЛО НА МЕСТО СБОРА.

### Заменяйте масло, когда двигатель еще теплый после работы, следующим образом:

1. Убедитесь, что генератор находится на горизонтальной поверхности.
2. Отсоедините провод свечи зажигания от самой свечи и поместите его там, где он не может контактировать со свечой зажигания.
3. Очистите область вокруг пробки для слива масла (3, Н). Пробка для слива масла находится в основании двигателя, напротив карбюратора.
4. Выньте пробку для слива масла и полностью слейте масло в подходящую емкость.
5. Установите пробку для слива масла на место и надежно затяните. Снимите крышку маслосливной горловины.
6. Повторите операции с 3 по 4, чтобы добавить моторное масло, как описано в разделе *Добавление моторного масла*.
7. Вытрите любое пролитое масло.

### Очистка воздушного фильтра **Рис. 8**

Двигатель не будет работать должным образом и может повредиться, если будет эксплуатироваться с загрязненным воздушным фильтром. Выполняйте обслуживание чаще в грязных или пыльных условиях.

#### Для обслуживания воздушного фильтра выполните следующие действия:

1. Открутите винты (А) и снимите крышку воздушного фильтра (В).
2. Осторожно выньте кассету (С) из основания (D).
3. Установите чистый (или новый) воздушный фильтр внутри крышки. Правильно утилизируйте старый фильтр.
4. Смонтируйте крышку воздушного фильтра на основании и затяните винты.

### Обслуживание свечи зажигания **Рис. 9**

Замена свечи зажигания облегчит запуск и улучшит работу двигателя.

1. Очистите область вокруг свечи зажигания.
2. Выкрутите и проверьте свечу зажигания.
3. Проверьте зазор между электродами проволочным щупом и при необходимости установите рекомендованную величину зазора (см. *Технические характеристики*).
4. Замените свечу зажигания, если электроды изъедены точечной коррозией, обгорели или фарфор треснул. Для замены используйте рекомендуемую свечу. См. *Технические характеристики*.
5. Вкрутите свечу зажигания и туго затяните.

### Проверка глушителя и искроуловителя **Рис. 10**

Осмотрите глушитель на наличие трещин, коррозии или других повреждений. Снимите искроуловитель, если он установлен, и осмотрите на наличие повреждений или скопившегося нагара. Если требуется замена частей, убедитесь, что используются только оригинальные запасные части оборудования.



**ОСТОРОЖНО** Контакт с зоной глушителя может привести к ожогам.



Тепло выхлопных газов/выхлопные газы могут привести к воспламенению горючих веществ и сооружений или повреждению топливного бака и, соответственно, к пожару.

- НЕ прикасайтесь к горячим деталям и **ОСТЕРЕГАЙТЕСЬ** горячих выхлопных газов.
- Дайте оборудованию остыть, прежде чем дотрагиваться до него.
- Обеспечьте свободное пространство не менее 1,5 м вокруг генератора, включая пространство сверху.
- Обратитесь к изготовителю комплектного оборудования, продавцу или дилеру для приобретения искроуловителя, предназначенного для выхлопной системы, установленной на этом двигателе.
- Запасные части должны быть идентичными оригинальным частям и устанавливаться на их место.

#### Очистите и осмотрите искроуловитель следующим образом:

1. Чтобы снять ограждение глушителя, открутите четыре винта (А), соединяющие ограждение с генератором (В).
2. Открутите винт, крепящий экран искроуловителя (С) к глушителю. Снимите экран искроуловителя.
3. Осмотрите экран и, если он разорван, имеет дырки или поврежден иным образом, подготовьте замену. НЕ используйте неисправный экран. Если экран не поврежден, почистите его щеткой.
4. Снова прикрепите экран к глушителю. Снова прикрепите ограждение глушителя.

### Очистка системы охлаждения **Рис. 11**

Со временем в ребрах охлаждения цилиндра может скопиться мусор, но его нельзя увидеть без частичной разборки двигателя. По этой причине рекомендуется, чтобы очистку системы охлаждения (А) через рекомендуемые интервалы выполнял официальный дилер Briggs & Stratton (см. подраздел *Расписание технического обслуживания* в разделе *Обслуживание*). Не менее важно содержать верхнюю часть двигателя свободной от мусора. Также см. раздел *Очистка*.

#### Регулировка карбюратора

Карбюратор на данном двигателе имеет пониженную токсичность выхлопа. Он оснащен нерегулируемым клапаном смеси на холостом ходу. Максимальная скорость была установлена на заводе. При необходимости регулировки обратитесь к официальному дилеру Briggs & Stratton.



**ВНИМАНИЕ** Избегайте продолжительного или повторяющегося контакта кожи с отработанным моторным маслом

- Было показано, что отработанное моторное масло может вызвать рак кожи у некоторых лабораторных животных.
- Тщательно промойте запачканные маслом участки кожи водой с мылом.



## Хранение

Если генератор не будет использоваться более 30 дней, используйте следующие рекомендации, чтобы подготовить его для хранения.

### Хранение генератора

- Очистите генератор как описано в разделе *Очистка*.
- Убедитесь, что каналы и отверстия системы воздушного охлаждения на генераторе открыты и свободны.

### Инструкции по длительному хранению

Топливо может стать несвежим, если оно хранится более 30 дней. Несвежее топливо приводит к образованию кислотных и смоляных отложений в топливной системе или на важных деталях карбюратора. Чтобы сохранить топливо свежим, используйте стабилизатор топлива FRESH START® компании Briggs & Stratton, доступный в качестве жидкой добавки или кассеты капельного концентрата.

Не требуется сливать бензин из двигателя, если стабилизатор топлива добавляется в соответствии с инструкциями. Дайте двигателю поработать в течение 2 минут для распределения стабилизатора по всей топливной системе. После этого двигатель и топливо могут храниться до 24 месяцев.

Если бензин в двигателе не был обработан стабилизатором топлива, его необходимо слить в утвержденный контейнер. Затем следует дать двигателю поработать, пока он не остановится из-за отсутствия топлива.

Использование стабилизатора топлива в емкости для хранения рекомендуется для поддержания свежести.



#### **ОСТОРОЖНО**

Топливо и его пары являются чрезвычайно легковоспламеняющимися и взрывоопасными – это может привести к ожогам, пожару или взрыву и в результате – к смерти, серьезной травме и/или материальному ущербу.



#### **ПРИ ХРАНЕНИИ ТОПЛИВА ИЛИ ОБОРУДОВАНИЯ С ТОПЛИВОМ В БАКЕ**

- Во избежание воспламенения паров топлива храните его вдали от котлов, печей, водонагревателей, сушилок для белья и прочих приборов, в которых используется горелка или иной источник воспламенения.

#### **ПРИ СЛИВЕ ТОПЛИВА**

- Прежде чем открыть крышку топливного бака, выключите генератор и дайте ему остыть в течение по крайней мере 2 минут. Медленно отвинтите пробку для сброса давления в баке.
- Заполняйте топливный бак на открытом воздухе.
- Держите топливо на расстоянии от искр, открытого огня, запальных устройств, жара и других источников возгорания.
- Регулярно проверяйте топливопровод, бак, крышку и фитинги на наличие трещин и утечек. При необходимости проведите замену.
- НЕ зажигайте сигарету и не курите.

### Замена моторного масла

Слейте масло из картера, когда двигатель еще теплый. Заполните маслом рекомендуемой марки. См. раздел *Замена моторного масла*.

### Прочие советы по хранению

1. НЕ храните топливо от одного сезона до другого, если оно не обработано, как описано в разделе *Инструкции по длительному хранению*.
2. Замените емкость для топлива, если она начинает ржаветь. Ржавчина и/или грязь в топливе может вызвать проблемы, если оно используется с этим генератором.
3. Накройте генератор подходящим защитным чехлом, который не удерживает влагу.



#### **ОСТОРОЖНО**

Чехлы для хранения могут привести к пожару и в результате – к смерти, серьезной травме и/или материальному ущербу.



- НЕ надевайте чехол для хранения на горячий генератор
- Дайте оборудованию остыть в течение достаточного времени перед укрыванием его чехлом.

4. Магазин генератор в сухом чистом месте.

## Поиск и устранение неисправностей

ПРОБЛЕМА	ПРИЧИНА	Способ устранения
Двигатель работает, но отсутствует выходная мощность переменного тока.	<ol style="list-style-type: none"> <li>1. Один из автоматических выключателей отключен.</li> <li>2. Неисправность генератора.</li> <li>3. Плохое соединение или неисправен шнур.</li> <li>4. Подключенное устройство неисправно.</li> </ol>	<ol style="list-style-type: none"> <li>1. Верните автоматический выключатель в исходное положение.</li> <li>2. Обратитесь к уполномоченному сервисному дилеру.</li> <li>3. Проверьте и отремонтируйте.</li> <li>4. Подсоедините другое устройство в исправном состоянии.</li> </ol>
Двигатель работает хорошо без нагрузки, но останавливается при подключении нагрузок.	<ol style="list-style-type: none"> <li>1. Короткое замыкание подключенного устройства.</li> <li>2. Слишком малая частота вращения двигателя.</li> <li>3. Перегрузка генератора.</li> <li>4. Короткое замыкание в цепи генератора.</li> <li>5. Засоренный или грязный топливный фильтр.</li> </ol>	<ol style="list-style-type: none"> <li>1. Отсоедините закороченную электрическую нагрузку.</li> <li>2. Обратитесь к уполномоченному сервисному дилеру.</li> <li>3. См. подраздел <i>Не перегружайте генератор</i> в разделе <i>Эксплуатация</i>.</li> <li>4. Обратитесь к уполномоченному сервисному дилеру.</li> <li>5. Очистите или замените топливный фильтр.</li> </ol>
Двигатель не запускается, выключается при работе или запускается и работает неровно.	<ol style="list-style-type: none"> <li>1. Кулисный выключатель двигателя находится в выключенном положении (0).</li> <li>2. Топливный клапан находится в выключенном положении (0).</li> <li>3. Низкий уровень масла.</li> <li>4. Грязный воздушный фильтр.</li> <li>5. Закончилось топливо.</li> <li>6. Просроченное топливо.</li> <li>7. Провод свечи зажигания не подсоединен к свече.</li> <li>8. Плохая свеча зажигания.</li> <li>9. Вода в топливе.</li> <li>10. Заливание.</li> <li>11. Слишком богатая топливная смесь.</li> <li>12. Заедание впускного клапана в открытом или закрытом положении.</li> <li>13. Двигатель потерял компрессию.</li> </ol>	<ol style="list-style-type: none"> <li>1. Установите кулисный выключатель двигателя во включенное положение (I).</li> <li>2. Поверните топливный клапан во включенное положение (I).</li> <li>3. Заполните картер до должного уровня или установите генератор на горизонтальной поверхности.</li> <li>4. Очистите или замените воздушный фильтр.</li> <li>5. Заполнение топливный бак</li> <li>6. Слейте топливный бак и карбюратор; заполните свежим топливом.</li> <li>7. Подсоедините провод к свече зажигания.</li> <li>8. Замена свечи зажигания</li> <li>9. Слейте топливный бак и карбюратор; заполните свежим топливом.</li> <li>10. Подождите 5 минут и повторно запустите двигатель.</li> <li>11. Обратитесь к уполномоченному сервисному дилеру.</li> <li>12. Обратитесь к уполномоченному сервисному дилеру.</li> <li>13. Обратитесь к уполномоченному сервисному дилеру.</li> </ol>
Недостаточная мощность двигателя.	<ol style="list-style-type: none"> <li>1. Нагрузка слишком высокая.</li> <li>2. Грязный воздушный фильтр.</li> </ol>	<ol style="list-style-type: none"> <li>1. См. подраздел <i>Не перегружайте генератор</i> в разделе <i>Эксплуатация</i>.</li> <li>2. Замените воздушный фильтр.</li> </ol>
Двигатель раскачивается или подергивается.	Карбюратор работает со слишком богатой или слишком бедной топливной смесью.	Обратитесь к уполномоченному сервисному дилеру.

## Технические характеристики изделия

### Модель 7500EA

Начальная мощность	7 500 Вт
Мощность*	6 000 Вт
Ток нагрузки при 230 В перем. тока	26,0 А
Номинальная частота	50 Гц
Количество фаз	Одна
Смещение	420 ку
Зазор свечи зажигания	0,76 мм
Емкость топливного бака	30 л
Емкость масляного бака	1,0 л

### Модель 8500EA

Начальная мощность	8 500 Вт
Мощность*	6 800 Вт
Ток нагрузки при 230 В перем. тока	29,5 А
Номинальная частота	50 Гц
Количество фаз	Одна
Смещение	420 ку
Зазор свечи зажигания	0,76 мм
Емкость топливного бака	30 л
Емкость масляного бака	1,0 л

## Запасные части для общего обслуживания

Воздушный фильтр	491588
Резистор свечи зажигания	491055

**Номинальная мощность:** Общая номинальная мощность для отдельных моделей двигателей на бензине промаркирована в соответствии с нормами SAE (Society of Automotive Engineers, Общество автомобильных инженеров) J1940 (мощность малого двигателя и процедура оценки крутящего момента), и оценка номинального значения была получена и откорректирована в соответствии с SAE J1995 (Версия 2002-05). Значения крутящего момента получены при 3060 об/мин; значения мощности получены при 3600 об/мин. Фактическая валовая мощность двигателя будет ниже; она зависит, помимо прочего, от условий эксплуатации и конкретного экземпляра двигателя. С учетом широкого спектра изделий, на которые устанавливаются двигатели, и широкого диапазона условий окружающей среды для работы оборудования бензиновый двигатель не разовьет номинальную полную мощность при использовании на конкретном силовом оборудовании (фактическую мощность «на месте» или полезную мощность). Эта разница вызвана множеством факторов, включая, без ограничения, используемые аксессуары (воздушный фильтр, выхлопная система, зарядка, охлаждение, карбюратор, топливный насос и т.д.), ограничения применения, условия эксплуатации (температура, влажность, высота) и разницу между отдельными экземплярами двигателей. Вследствие производственных и складских ограничений, компания Briggs & Stratton может заменить двигатель этой серии на более мощный.

\* Этот генератор имеет номинальные параметры в соответствии со стандартом ISO 8528, G1.

## ГАРАНТИЯ ВЛАДЕЛЬЦА ПЕРЕНОСНОГО ГЕНЕРАТОРА BRIGGS & STRATTON POWER PRODUCTS GROUP, LLC

Вступает в силу с 1 ноября 2009 г.; заменяет все бессрочные гарантии, и все гарантии, датированные до 1 ноября 2009 года.

### ОГРАНИЧЕННАЯ ГАРАНТИЯ

Компания «Briggs & Stratton Power Products Group, LLC» произведет бесплатный ремонт или замену любых деталей переносного генератора, имеющих дефекты материала или производства, или того и другого. Транспортные расходы, связанные с доставкой изделия, предъявляемого для ремонта или замены по настоящей гарантии, должен нести покупатель. Гарантия действительна для сроков и условий, которые указаны ниже. Для проведения гарантийного обслуживания найдите ближайшего официального сервисного дилера по нашей карте дилеров на веб-сайте BRIGGSandSTRATTON.COM.

ПРОЧИХ ПРЯМЫХ ГАРАНТИЙ НЕ СУЩЕСТВУЕТ. ПОДРАЗУМЕВАЕМЫЕ ГАРАНТИИ, ВКЛЮЧАЯ ГАРАНТИИ ПРИГОДНОСТИ ДЛЯ ТОРГОВЛИ И СООТВЕТСТВИЯ КОНКРЕТНЫМ ПРИМЕНЕНИЯМ, ОГРАНИЧЕНЫ СРОКОМ В ОДИН ГОД СО ДНЯ ПОКУПКИ, ИЛИ В ТОЙ СТЕПЕНИ, В КОТОРОЙ ЭТО РАЗРЕШЕНО ЗАКОНОМ. ВСЕ ПОДРАЗУМЕВАЕМЫЕ ГАРАНТИИ, КАК И ЛЮБАЯ ИЗ НИХ, ИСКЛЮЧАЮТСЯ. ОТВЕТСТВЕННОСТЬ ЗА СЛУЧАЙНЫЙ ИЛИ КОСВЕННЫЙ УЩЕРБ ИСКЛЮЧАЕТСЯ В ТОЙ СТЕПЕНИ, В КОТОРОЙ ЭТО РАЗРЕШЕНО ЗАКОНОМ. В некоторых штатах или государствах запрещено ограничивать срок действия подразумеваемой гарантии, а в некоторых штатах или государствах запрещено исключать или ограничивать ответственность за случайный или косвенный ущерб. Таким образом, приведенные выше исключения и ограничения, возможно, не будут распространяться на вас. Данная гарантия дает вам определенные юридические права. Вы также можете пользоваться иными правами, меняющимися от штата к штату или от государства к государству.

### ГАРАНТИЙНЫЙ СРОК

Личное использование	2 года*
Коммерческое использование	1 год

\* Во второй год только на детали

Гарантийный срок начинается с даты покупки оборудования первым розничным покупателем и заканчивается по истечении периода времени, указанного выше. «Личное использование» означает индивидуальное использование в домашнем хозяйстве розничным покупателем. «Коммерческое использование» означает все иные варианты использования, включая те, которые связаны с коммерцией, извлечением дохода или сдачей в аренду. \*Если оборудование побывало в коммерческом использовании, то после этого для целей гарантии оно считается оборудованием коммерческого использования

ДЛЯ ОБЕСПЕЧЕНИЯ ГАРАНТИЙНОГО ОБСЛУЖИВАНИЯ ИЗДЕЛИЙ ОТ BRIGGS & STRATTON НЕТ НЕОБХОДИМОСТИ В ГАРАНТИЙНОМ ТАЛОНЕ. СОХРАНИТЕ СВОЮ КВИТАНЦИЮ, ПОДТВЕРЖДАЮЩУЮ ПОКУПКУ. ЕСЛИ ПРИ ЗАПРОСЕ НА ГАРАНТИЙНОЕ ОБСЛУЖИВАНИЕ ВЫ НЕ ПОДТВЕРДИТЕ ДОКУМЕНТАЛЬНО ДАТУ ПЕРВОЙ ПОКУПКИ, ТО ДЛЯ ОПРЕДЕЛЕНИЯ ГАРАНТИЙНОГО СРОКА БУДЕТ ИСПОЛЬЗОВАНА ДАТА ИЗГОТОВЛЕНИЯ ИЗДЕЛИЯ.

### О ГАРАНТИИ НА ВАШЕ ИЗДЕЛИЕ

Компания «Briggs & Stratton» с готовностью произведет гарантийный ремонт и приносит извинения за причиненные неудобства. Гарантийный ремонт может быть проведен любым официальным сервисным дилером. В большинстве случаев гарантийный ремонт производится быстро и в беспорядном порядке. Однако иногда требования на гарантийное обслуживание не являются оправданными. Например, гарантия не распространяется на те случаи, когда дефекты изделия возникли в результате его неправильного использования, отсутствия надлежащего обслуживания или когда повреждения произошли в процессе транспортировки, погрузочно-разгрузочных работ, складирования или из-за неправильной установки. Кроме того, гарантия аннулируется, если дата изготовления или серийный номер на переносном генераторе были удалены или оборудование было изменено или доработано. В течение гарантийного срока официальный сервисный дилер по своему усмотрению производит ремонт или замену любой части, которая после проверки оказалась дефектной при нормальном использовании и обслуживании. Данная гарантия не распространяется на следующие ремонтные работы и оборудование:

- Нормальный износ.** Для надежной работы оборудование с силовыми приводами, как и любые другие механические устройства, нуждается в периодическом техническом обслуживании и замене деталей. Данная гарантия не покрывает ремонт в случае выхода из строя детали или оборудования вследствие нормального износа.
- Установка и обслуживание.** Установка и техническое обслуживание: Данная гарантия не применяется в случае неправильной или неразрешенной установки, видоизменения или модификации, несоответствующей эксплуатации, небрежного обращения, аварии, перегрузки, превышения допустимой скорости, недостаточного технического обслуживания, а также в случае ремонта или хранения оборудования или деталей, которые, по нашему мнению, наносят ущерб их работоспособности и надежности Эта гарантия также не покрывает нормальное техническое обслуживание, такое как обслуживание воздушных фильтров, регулировки, очистка топливной системы от засорения (химическими веществами, грязью, нагаром, известью и т.д.).
- Что еще не попадает под гарантийный ремонт:** Данная гарантия не распространяется на изнашиваемые детали, такие как уплотнительные кольца, фильтры и т.д., или сбои в результате аварий, злоупотребления, модификаций, изменений или ненадлежащего обслуживания, промерзания или ухудшения параметров под воздействием химических веществ. Такие аксессуары, как стартерные аккумуляторные батареи, комплекты шнуров адаптера генератора и чехлы для хранения, исключены из гарантии на изделие. Данная гарантия не распространяется на бывшее в употреблении, восстановленное и демонстрационное оборудование, оборудование, используемое для первичного электропитания вместо сетевого питания, и оборудование, используемое в областях применения, связанных с жизнеобеспечением, а также на отказы вызванные стихийными бедствиями и другими форс-мажорными обстоятельствами вне контроля производителя. 198189E, Ред. С, 11/2/2009

BRIGGS & STRATTON POWER PRODUCTS GROUP, LLC

Милуоки, штат Висконсин, США.

Русский

ru



**BRIGGS & STRATTON POWER PRODUCTS GROUP, LLC  
MILWAUKEE, WISCONSIN, U.S.A.**