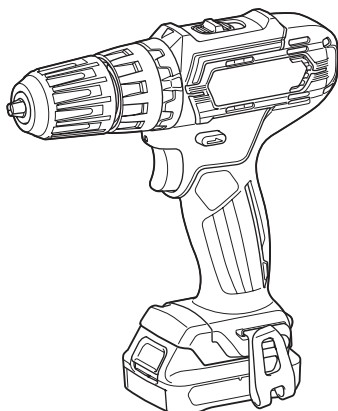
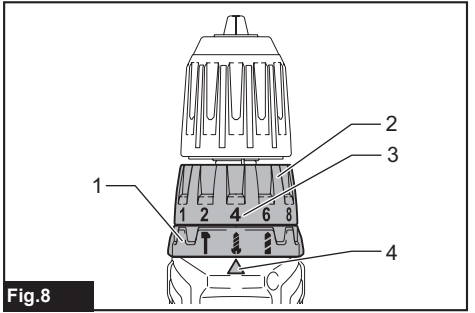
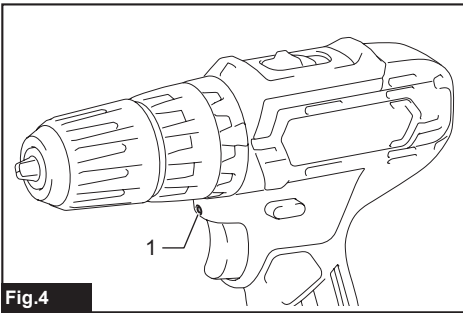
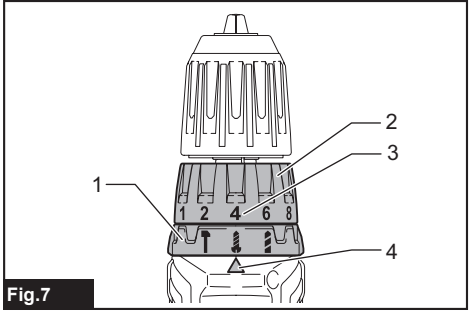
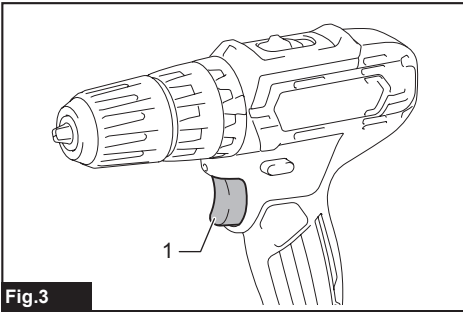
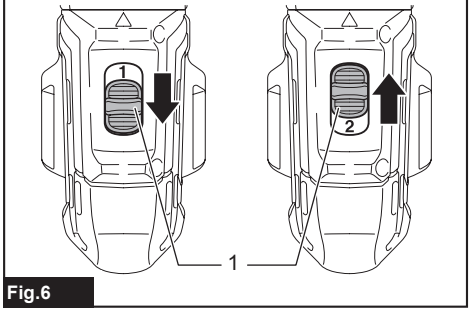
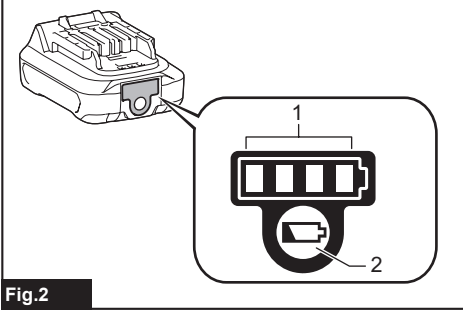
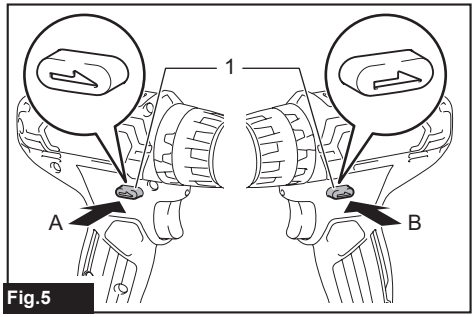
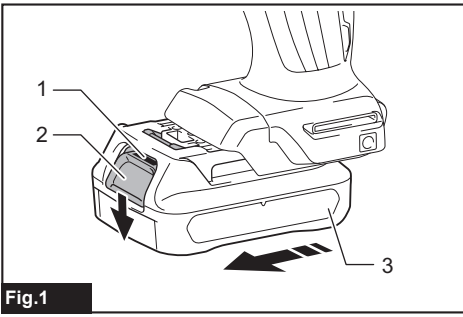


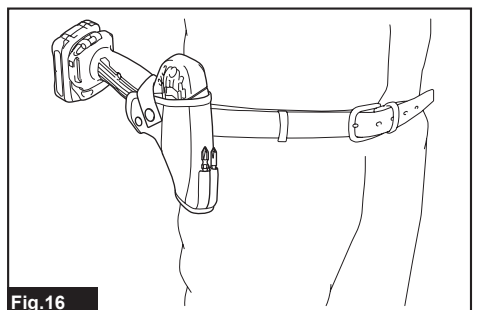
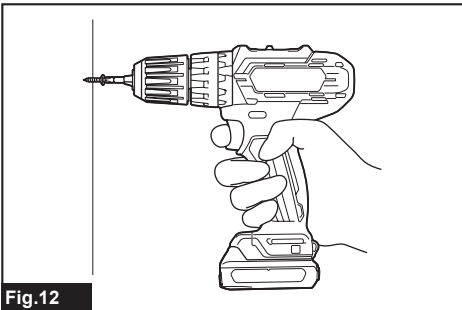
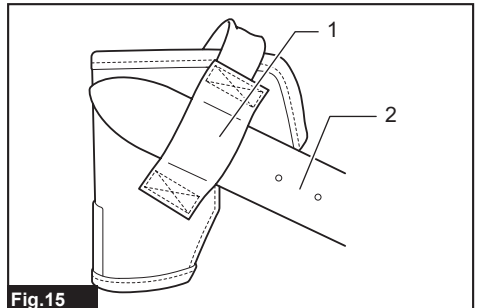
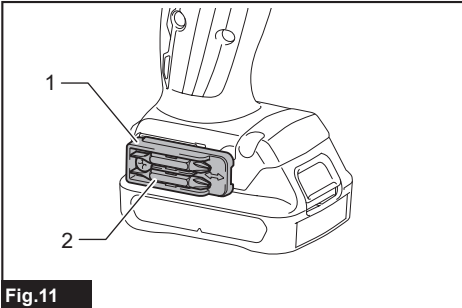
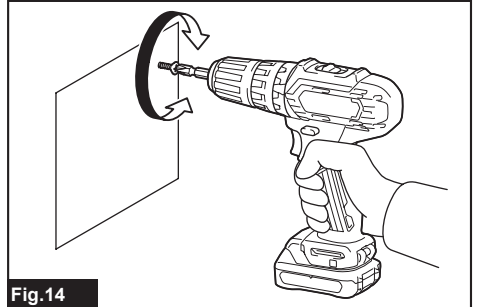
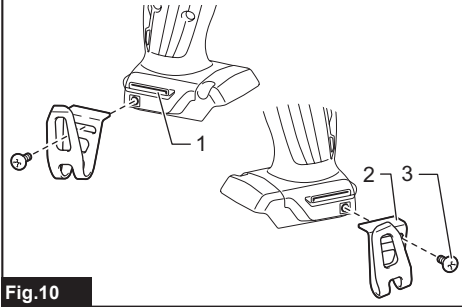
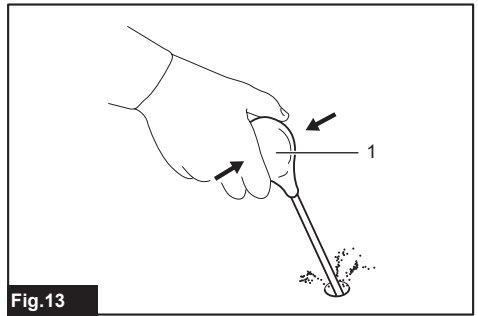
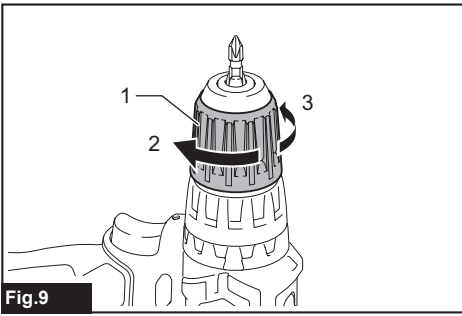


EN	Cordless Hammer Driver Drill	INSTRUCTION MANUAL	5
SV	Sladdlös slagborrhammare	BRUKSANVISNING	11
NO	Batteridrevet slagboremaskin	BRUKSANVISNING	17
FI	Akkuisukuporakone	KÄYTTÖOHJE	23
LV	Bezvada triecienurbjmašina/ skrūvgriezis	LIETOŠANAS INSTRUKCIJA	29
LT	Belaidis kalamasis grąžtas	NAUDOJIMO INSTRUKCIJA	35
ET	Juhtmeta lööktrell-kruvikeeraja	KASUTUSJUHEND	41
RU	Аккумуляторная ударная дрель-шуруповерт	РУКОВОДСТВО ПО ЭКСПЛУАТАЦИИ	47

HP333D







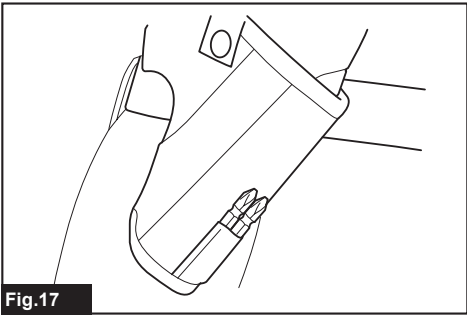


Fig.17

SPECIFICATIONS

Model:		HP333D
Drilling capacities	Masonry	8 mm
	Steel	10 mm
	Wood	21 mm
Fastening capacities	Wood screw	5.1 mm x 63 mm
	Machine screw	M6
No load speed	High (2)	0 - 1,700 min ⁻¹
	Low (1)	0 - 450 min ⁻¹
Blows per minute	High (2)	0 - 25,500 min ⁻¹
	Low (1)	0 - 6,750 min ⁻¹
Overall length	193 mm	
Rated voltage	D.C. 10.8 V - 12 V max	
Net weight	1.1 - 1.3 kg	

- Due to our continuing program of research and development, the specifications herein are subject to change without notice.
- Specifications may differ from country to country.
- The weight may differ depending on the attachment(s), including the battery cartridge. The lightest and heaviest combination, according to EPTA-Procedure 01/2014, are shown in the table.

Applicable battery cartridge and charger

Battery cartridge	BL1015 / BL1016 / BL1020B / BL1021B / BL1040B / BL1041B
Charger	DC10SA / DC10SB / DC10WC / DC10WD / DC18RE

- Some of the battery cartridges and chargers listed above may not be available depending on your region of residence.

⚠ WARNING: Only use the battery cartridges and chargers listed above. Use of any other battery cartridges and chargers may cause injury and/or fire.

Intended use

The tool is intended for impact drilling in brick, brickwork and masonry. It is also suitable for screw driving and drilling without impact in wood, metal, ceramic and plastic.

Noise

The typical A-weighted noise level determined according to EN60745-2-1:

Sound pressure level (L_{pA}): 82 dB(A)

Sound power level (L_{WA}): 93 dB (A)

Uncertainty (K): 3 dB(A)

⚠ WARNING: Wear ear protection.

Vibration

The vibration total value (tri-axial vector sum) determined according to EN60745-2-1:

Work mode: impact drilling into concrete

Vibration emission ($a_{h,D}$): 13.0 m/s²

Uncertainty (K): 1.5 m/s²

Work mode: drilling into metal

Vibration emission ($a_{h,D}$): 2.5 m/s² or less

Uncertainty (K): 1.5 m/s²

NOTE: The declared vibration emission value has been measured in accordance with the standard test method and may be used for comparing one tool with another.

NOTE: The declared vibration emission value may also be used in a preliminary assessment of exposure.

⚠ WARNING: The vibration emission during actual use of the power tool can differ from the declared emission value depending on the ways in which the tool is used.

⚠ WARNING: Be sure to identify safety measures to protect the operator that are based on an estimation of exposure in the actual conditions of use (taking account of all parts of the operating cycle such as the times when the tool is switched off and when it is running idle in addition to the trigger time).

EC Declaration of Conformity

For European countries only

The EC declaration of conformity is included as Annex A to this instruction manual.

SAFETY WARNINGS

General power tool safety warnings

⚠WARNING: Read all safety warnings, instructions, illustrations and specifications provided with this power tool. Failure to follow all instructions listed below may result in electric shock, fire and/or serious injury.

Save all warnings and instructions for future reference.

The term "power tool" in the warnings refers to your mains-operated (corded) power tool or battery-operated (cordless) power tool.

Cordless hammer driver drill safety warnings

1. **Wear ear protectors when impact drilling.** Exposure to noise can cause hearing loss.
2. **Use auxiliary handle(s), if supplied with the tool.** Loss of control can cause personal injury.
3. **Hold power tool by insulated gripping surfaces, when performing an operation where the cutting accessory may contact hidden wiring.** Cutting accessory contacting a "live" wire may make exposed metal parts of the power tool "live" and could give the operator an electric shock.
4. **Hold power tool by insulated gripping surfaces, when performing an operation where the fastener may contact hidden wiring.** Fasteners contacting a "live" wire may make exposed metal parts of the power tool "live" and could give the operator an electric shock.
5. **Always be sure you have a firm footing. Be sure no one is below when using the tool in high locations.**
6. **Hold the tool firmly.**
7. **Keep hands away from rotating parts.**
8. **Do not leave the tool running. Operate the tool only when hand-held.**
9. **Do not touch the bit or the workpiece immediately after operation; they may be extremely hot and could burn your skin.**
10. **Some material contains chemicals which may be toxic. Take caution to prevent dust inhalation and skin contact. Follow material supplier safety data.**
11. **If the drill bit cannot be loosened even you open the jaws, use pliers to pull it out.** In such a case, pulling out the drill bit by hand may result in injury by its sharp edge.

SAVE THESE INSTRUCTIONS.

⚠WARNING: DO NOT let comfort or familiarity with product (gained from repeated use) replace strict adherence to safety rules for the subject product. MISUSE or failure to follow the safety rules stated in this instruction manual may cause serious personal injury.

Important safety instructions for battery cartridge

1. **Before using battery cartridge, read all instructions and cautionary markings on (1) battery charger, (2) battery, and (3) product using battery.**
2. **Do not disassemble battery cartridge.**
3. **If operating time has become excessively shorter, stop operating immediately. It may result in a risk of overheating, possible burns and even an explosion.**
4. **If electrolyte gets into your eyes, rinse them out with clear water and seek medical attention right away. It may result in loss of your eyesight.**
5. **Do not short the battery cartridge:**
 - (1) **Do not touch the terminals with any conductive material.**
 - (2) **Avoid storing battery cartridge in a container with other metal objects such as nails, coins, etc.**
 - (3) **Do not expose battery cartridge to water or rain.**

A battery short can cause a large current flow, overheating, possible burns and even a breakdown.
6. **Do not store the tool and battery cartridge in locations where the temperature may reach or exceed 50 °C (122 °F).**
7. **Do not incinerate the battery cartridge even if it is severely damaged or is completely worn out. The battery cartridge can explode in a fire.**
8. **Be careful not to drop or strike battery.**
9. **Do not use a damaged battery.**
10. **The contained lithium-ion batteries are subject to the Dangerous Goods Legislation requirements.**

For commercial transports e.g. by third parties, forwarding agents, special requirement on packaging and labeling must be observed. For preparation of the item being shipped, consulting an expert for hazardous material is required. Please also observe possibly more detailed national regulations.

Tape or mask off open contacts and pack up the battery in such a manner that it cannot move around in the packaging.
11. **Follow your local regulations relating to disposal of battery.**
12. **Use the batteries only with the products specified by Makita.** Installing the batteries to non-compliant products may result in a fire, excessive heat, explosion, or leak of electrolyte.

SAVE THESE INSTRUCTIONS.

⚠CAUTION: Only use genuine Makita batteries. Use of non-genuine Makita batteries, or batteries that have been altered, may result in the battery bursting causing fires, personal injury and damage. It will also void the Makita warranty for the Makita tool and charger.

Tips for maintaining maximum battery life

1. Charge the battery cartridge before completely discharged. Always stop tool operation and charge the battery cartridge when you notice less tool power.
2. Never recharge a fully charged battery cartridge. Overcharging shortens the battery service life.
3. Charge the battery cartridge with room temperature at 10 °C - 40 °C (50 °F - 104 °F). Let a hot battery cartridge cool down before charging it.

FUNCTIONAL DESCRIPTION

CAUTION: Always be sure that the tool is switched off and the battery cartridge is removed before adjusting or checking function on the tool.

Installing or removing battery cartridge

CAUTION: Always switch off the tool before installing or removing of the battery cartridge.

CAUTION: Hold the tool and the battery cartridge firmly when installing or removing battery cartridge. Failure to hold the tool and the battery cartridge firmly may cause them to slip off your hands and result in damage to the tool and battery cartridge and a personal injury.

► Fig.1: 1. Red indicator 2. Button 3. Battery cartridge

To remove the battery cartridge, slide it from the tool while sliding the button on the front of the cartridge.

To install the battery cartridge, align the tongue on the battery cartridge with the groove in the housing and slip it into place. Insert it all the way until it locks in place with a little click. If you can see the red indicator on the upper side of the button, it is not locked completely.

CAUTION: Always install the battery cartridge fully until the red indicator cannot be seen. If not, it may accidentally fall out of the tool, causing injury to you or someone around you.

CAUTION: Do not install the battery cartridge forcibly. If the cartridge does not slide in easily, it is not being inserted correctly.

Battery protection system

The tool is equipped with a battery protection system. This system automatically cuts off power to the motor to extend battery life.

The tool will automatically stop during operation if the tool and/or battery are placed under one of the following conditions:

Overloaded:

The tool is operated in a manner that causes it to draw an abnormally high current.

In this situation, turn the tool off and stop the application that caused the tool to become overloaded. Then turn the tool on to restart.

If the tool does not start, the battery is overheated. In this situation, let the battery cool before turning the tool on again.

Low battery voltage:

The remaining battery capacity is too low and the tool will not operate. If you turn the tool on, the motor runs again but stops soon. In this situation, remove and recharge the battery.

Indicating the remaining battery capacity

Only for battery cartridges with the indicator

► Fig.2: 1. Indicator lamps 2. Check button

Press the check button on the battery cartridge to indicate the remaining battery capacity. The indicator lamps light up for a few seconds.

Indicator lamps		Remaining capacity
Lighted	Off	
■ ■ ■ ■		75% to 100%
■ ■ ■ □		50% to 75%
■ ■ □ □		25% to 50%
■ □ □ □		0% to 25%

NOTE: Depending on the conditions of use and the ambient temperature, the indication may differ slightly from the actual capacity.

Switch action

► Fig.3: 1. Switch trigger

CAUTION: Before installing the battery cartridge into the tool, always check to see that the switch trigger actuates properly and returns to the "OFF" position when released.

To start the tool, simply pull the switch trigger. Tool speed is increased by increasing pressure on the switch trigger. Release the switch trigger to stop.

Lighting up the front lamp

► Fig.4: 1. Lamp

CAUTION: Do not look in the light or see the source of light directly.

Pull the switch trigger to light up the lamp. The lamp keeps on lighting while the switch trigger is being pulled. The lamp goes out approximately 10 seconds after releasing the switch trigger.

NOTE: Use a dry cloth to wipe the dirt off the lens of the lamp. Be careful not to scratch the lens of lamp, or it may lower the illumination.

Reversing switch action

► Fig.5: 1. Reversing switch lever

CAUTION: Always check the direction of rotation before operation.

CAUTION: Use the reversing switch only after the tool comes to a complete stop. Changing the direction of rotation before the tool stops may damage the tool.

CAUTION: When not operating the tool, always set the reversing switch lever to the neutral position.

This tool has a reversing switch to change the direction of rotation. Depress the reversing switch lever from the A side for clockwise rotation or from the B side for counterclockwise rotation.

When the reversing switch lever is in the neutral position, the switch trigger cannot be pulled.

Speed change

► Fig.6: 1. Speed change lever

CAUTION: Always set the speed change lever fully to the correct position. If you operate the tool with the speed change lever positioned halfway between the "1" side and "2" side, the tool may be damaged.

CAUTION: Do not use the speed change lever while the tool is running. The tool may be damaged.

Position of speed change lever	Speed	Torque	Applicable operation
1	Low	High	Heavy loading operation
2	High	Low	Light loading operation

Adjusting the fastening torque

► Fig.8: 1. Action mode changing ring 2. Adjusting ring 3. Graduation 4. Arrow

The fastening torque can be adjusted in 20 levels by turning the adjusting ring. Align the graduations with the arrow on the tool body. You can get the minimum fastening torque at 1 and maximum torque at 20.

Before actual operation, drive a trial screw into your material or a piece of duplicate material to determine which torque level is required for a particular application. The following shows the rough guide of the relationship between the screw size and graduation.

Graduation		1	2	3	4	5	6	7	8	9	10	11	12	13	14	15	16	17	18	19	20
Machine screw		M4								M5						M6					
Wood screw	Soft wood (e.g. pine)	-										φ3.5 x 22				φ4.1 x 38					
	Hard wood (e.g. lauan)	-										φ3.5 x 22						-			
		-										φ4.1 x 38									

To change the speed, switch off the tool first. Select the "2" side for high speed or "1" for low speed but high torque. Be sure that the speed change lever is set to the correct position before operation.

If the tool speed is coming down extremely during the operation with "2", slide the lever to the "1" and restart the operation.




Selecting the action mode

CAUTION: Always set the ring correctly to your desired mode mark. If you operate the tool with the ring positioned halfway between the mode marks, the tool may be damaged.

CAUTION: When you change the position from "Drilling mode" to other modes, it may be a little difficulty to slide the action mode changing ring. In this case, switch on and run the tool for a second at the "Drilling mode" position, then stop the tool and slide the ring to your desired position.

► Fig.7: 1. Action mode changing ring 2. Adjusting ring 3. Graduation 4. Arrow

This tool has three action modes.

-  Drilling mode (rotation only)
-  Hammer drilling mode (rotation with hammering)
-  Screwdriving mode (rotation with clutch)

Select one mode suitable for your work. Turn the action mode changing ring and align the mark that you selected with the arrow on the tool body.

ASSEMBLY

⚠ CAUTION: Always be sure that the tool is switched off and the battery cartridge is removed before carrying out any work on the tool.

Installing or removing driver bit/drill bit

Optional accessory

► Fig.9: 1. Sleeve 2. Close 3. Open

Turn the sleeve counterclockwise to open the chuck jaws. Place the driver bit/drill bit in the chuck as far as it will go. Turn the sleeve clockwise to tighten the chuck. To remove the driver bit/drill bit, turn the sleeve counterclockwise.

Installing hook

⚠ CAUTION: When installing the hook, always secure it with the screw firmly. If not, the hook may come off from the tool and result in the personal injury.

► Fig.10: 1. Groove 2. Hook 3. Screw

The hook is convenient for temporarily hanging the tool. This can be installed on either side of the tool. To install the hook, insert it into a groove in the tool housing on either side and then secure it with a screw. To remove, loosen the screw and then take it out.

Installing driver bit holder

Optional accessory

► Fig.11: 1. Driver bit holder 2. Driver bit

Fit the driver bit holder into the protrusion at the tool foot on either right or left side and secure it with a screw. When not using the driver bit, keep it in the driver bit holders. Driver bits 45 mm-long can be kept there.

OPERATION

⚠ CAUTION: Always insert the battery cartridge all the way until it locks in place. If you can see the red indicator on the upper side of the button, it is not locked completely. Insert it fully until the red indicator cannot be seen. If not, it may accidentally fall out of the tool, causing injury to you or someone around you.

⚠ CAUTION: When the speed comes down extremely, reduce the load or stop the tool to avoid the tool damage.


Hold the tool firmly with one hand on the grip and the other hand on the bottom of the battery cartridge to control the twisting action.

► Fig.12

Screwdriving operation

⚠ CAUTION: Adjust the adjusting ring to the proper torque level for your work.


⚠ CAUTION: Make sure that the driver bit is inserted straight in the screw head, or the screw and/or driver bit may be damaged.

First, turn the action mode changing ring so that the arrow on the tool body points to the  marking. Place the point of the driver bit in the screw head and apply pressure to the tool. Start the tool slowly and then increase the speed gradually. Release the switch trigger as soon as the clutch cuts in.

NOTE: When driving wood screw, pre-drill a pilot hole 2/3 the diameter of the screw. It makes driving easier and prevents splitting of the workpiece.

Hammer drilling operation

⚠ CAUTION: There is a tremendous and sudden twisting force exerted on the tool/drill bit at the time of hole breakthrough, when the hole becomes clogged with chips and particles, or when striking reinforcing rods embedded in the concrete.

First, turn the action mode changing ring so that the arrow on the tool body points to the  marking. The adjusting ring can be aligned in any torque levels for this operation. Be sure to use a tungsten-carbide tipped drill bit. Position the drill bit at the desired location for the hole, then pull the switch trigger. Do not force the tool. Light pressure gives best results. Keep the tool in position and prevent it from slipping away from the hole. Do not apply more pressure when the hole becomes clogged with chips or particles. Instead, run the tool at an idle, then remove the drill bit partially from the hole. By repeating this several times, the hole will be cleaned out and normal drilling may be resumed.


Blow-out bulb

Optional accessory

► Fig.13: 1. Blow-out bulb

After drilling the hole, use the blow-out bulb to clean the dust out of the hole.

Drilling operation

First, turn the adjusting ring so that the arrow points to the  marking. Then proceed as follows.

Drilling in wood

When drilling in wood, the best results are obtained with wood drills equipped with a guide screw. The guide screw makes drilling easier by pulling the drill bit into the workpiece.

Drilling in metal

To prevent the drill bit from slipping when starting a hole, make an indentation with a center-punch and hammer at the point to be drilled. Place the point of the drill bit in the indentation and start drilling.

Use a cutting lubricant when drilling metals. The exceptions are iron and brass which should be drilled dry.

⚠ CAUTION: Pressing excessively on the tool will not speed up the drilling. In fact, this excessive pressure will only serve to damage the tip of your drill bit, decrease the tool performance and shorten the service life of the tool.

⚠ CAUTION: Hold the tool firmly and exert care when the drill bit begins to break through the workpiece. There is a tremendous force exerted on the tool/drill bit at the time of hole break through.

⚠ CAUTION: A stuck drill bit can be removed simply by setting the reversing switch to reverse rotation in order to back out. However, the tool may back out abruptly if you do not hold it firmly.

⚠ CAUTION: Always secure workpieces in a vise or similar hold-down device.


⚠ CAUTION: If the tool is operated continuously until the battery cartridge has discharged, allow the tool to rest for 15 minutes before proceeding with a fresh battery.

Using the tool as a hand screwdriver

► Fig.14

Switch off the tool.

Move the reversing switch lever to the neutral position.

Turn the action mode changing ring so that the arrow points to the  marking.

Turn the tool.

NOTE: This use is convenient for checking the screwdriving.

NOTE: Do not use the tool for work requiring excessive force, such as tightening bolt or removing rusted screws.

Using holster

Optional accessory

⚠ CAUTION: When using the holster, remove a driver bit/drill bit from the tool.

⚠ CAUTION: Turn off the tool and wait until it comes to a complete stop before placing it in the holster.

Be sure to close the holster securely with the holster button so that it holds the tool firmly.

1. Thread a waist belt or similar through holster holder.

► Fig.15: 1. Holster holder 2. Waist belt

2. Put the tool in the holster and lock it with the holster button.

► Fig.16

► Fig.17

You can keep two driver bits at the front of the holster.

MAINTENANCE

⚠ CAUTION: Always be sure that the tool is switched off and the battery cartridge is removed before attempting to perform inspection or maintenance.

NOTICE: Never use gasoline, benzine, thinner, alcohol or the like. Discoloration, deformation or cracks may result.

To maintain product SAFETY and RELIABILITY, repairs, any other maintenance or adjustment should be performed by Makita Authorized or Factory Service Centers, always using Makita replacement parts.

OPTIONAL ACCESSORIES

⚠ CAUTION: These accessories or attachments are recommended for use with your Makita tool specified in this manual. The use of any other accessories or attachments might present a risk of injury to persons. Only use accessory or attachment for its stated purpose.

If you need any assistance for more details regarding these accessories, ask your local Makita Service Center.

- Drill bits
- Driver bits
- Socket bits
- Tungsten-carbide tipped drill bit
- Blow-out bulb
- Driver bit holder
- Hook
- Holster
- Makita genuine battery and charger

NOTE: Some items in the list may be included in the tool package as standard accessories. They may differ from country to country.

SPECIFIKATIONER

Modell:		HP333D
Borrkapaciteter	Murverk	8 mm
	Stål	10 mm
	Trä	21 mm
Åtdragningskapaciteter	Tråskruv	5,1 mm x 63 mm
	Maskinskruv	M6
Hastighet utan belastning	Hög (2)	0 - 1 700 min ⁻¹
	Låg (1)	0 - 450 min ⁻¹
Slag per minut	Hög (2)	0 - 25 500 min ⁻¹
	Låg (1)	0 - 6 750 min ⁻¹
Total längd		193 mm
Märkspänning		10,8 V likström - 12 V max
Nettovikt		1,1 - 1,3 kg

- På grund av vårt pågående program för forskning och utveckling kan dessa specifikationer ändras utan föregående meddelande.
- Specifikationer kan variera mellan olika länder.
- Vikten kan variera beroende på tillbehören, inklusive batterikassett. Den lättaste och den tyngsta kombinationen enligt EPTA-procedur 01/2014 visas i tabellen.

Tillgänglig batterikassett och laddare

Batterikassett	BL1015 / BL1016 / BL1020B / BL1021B / BL1040B / BL1041B
Laddare	DC10SA / DC10SB / DC10WC / DC10WD / DC18RE

- Vissa av batterikassetterna och laddarna på listan ovan kanske inte finns tillgängliga i din region.

⚠ VARNING: Använd endast batterikassetter och laddare från listan ovan. Användning av andra batterikassetter och laddare kan orsaka personskada och/eller brand.

Avsedd användning

Verktyget är avsett för slagborrning i tegel och murverk. Det lämpar sig också för skruvdragning och borrning utan slag i trä, metall, keramik och plast.

Buller

Den normala bullernivån för A-belastning är bestämd enligt EN60745-2-1:

Ljudtrycksnivå (L_{pA}): 82 dB (A)

Ljudeffektnivå (L_{WA}): 93 dB (A)

Mättolerans (K): 3 dB (A)

⚠ VARNING: Använd hörselskydd.

Vibration

Det totala vibrationsvärdet (treaxlad vektorsumma) bestämt enligt EN60745-2-1:

Arbetsläge: slagborrning i metall

Vibrationsemission ($a_{h,1D}$): 13,0 m/s²

Mättolerans (K): 1,5 m/s²

Arbetsläge: borrning i metall

Vibrationsemission ($a_{h,D}$): 2,5 m/s² eller lägre

Mättolerans (K): 1,5 m/s²

OBS: Det deklarerade vibrationsemissionsvärdet har uppmätts i enlighet med standardtestmetoden och kan användas för att jämföra en maskin med en annan.

OBS: Det deklarerade vibrationsemissionsvärdet kan också användas i en preliminär bedömning av exponering för vibration.

⚠ VARNING: Vibrationsemissionen under faktisk användning av maskinen kan skilja sig från det deklarerade emissionsvärdet, beroende på hur maskinen används.

⚠ VARNING: Var noga med att identifiera säkerhetsåtgärder för att skydda användaren, vilka är grundade på en uppskattning av graden av exponering för vibrationer under de faktiska användningsförhållandena, (ta, förutom avtryckartiden, med alla delar av användarcykeln i beräkningen, som till exempel tiden då maskinen är avstängd och när den går på tomgång).

EG-försäkran om överensstämmelse

Gäller endast inom EU

EG-försäkran om överensstämmelse inkluderas som bilaga A till denna bruksanvisning.

SÄKERHETSVARNINGAR

Allmänna säkerhetsvarningar för maskiner

⚠ VARNING: Läs alla säkerhetsvarningar, anvisningar, illustrationer och specifikationer som medföljer det här maskinen. Underlåtenhet att följa instruktionerna kan leda till elstötar, brand och/eller allvarliga personsador.

Spara alla varningar och instruktioner för framtida referens.

Termen "maskin" som anges i varningarna hänvisar till din eldrivna maskin (sladdansluten) eller batteridrivna maskin (sladdlös).

Säkerhetsvarningar för sladdlös slagborrhammare

- Bär hörselskydd vid slagborrning.** Kraftigt buller kan orsaka hörselsador.
- Använd extrahandtag om det levereras med maskinen.** Om du förlorar kontrollen över maskinen kan det leda till personsador.
- Håll maskinen i de isolerade handtagen om det finns risk för att skärverkytget kan komma i kontakt med en dold elkabel.** Om skärverkytget kommer i kontakt med en "strömförande" ledning blir maskinens blottlagda metalldelar "strömförande" och kan ge operatören en elektrisk stöt.
- Håll maskinen i de isolerade handtagen om det finns risk för att skruvdragaren kan komma i kontakt med en dold elkabel.** Skruvdragaren som kommer i kontakt med en "strömförande" kabel kan få sina blottlagda metalldelar "strömförande", vilket kan ge användaren en elektrisk stöt.
- Se till att alltid ha ordentligt fotfäste. Se till att ingen står under dig när maskinen används på hög höjd.**
- Håll stadigt i maskinen.**
- Håll händerna på avstånd från roterande delar.**
- Lämna inte maskinen igång. Använd endast maskinen när du håller den i händerna.**
- Rör inte vid borr eller arbetsstycke omedelbart efter användning eftersom de kan vara extremt varma och orsaka brännskador.**
- Vissa material kan innehålla giftiga kemikalier. Se till att du inte andas in damm eller får det på huden. Följ anvisningarna i leverantörens materialsäkerhetsblad.**
- Om borret inte kan lossas även om du öppnar chocken, använd en tång för att dra ut det. Om man drar ut det för hand kan man skada sig på dess vassa kanter.**

SPARA DESSA ANVISNINGAR.

⚠ VARNING: GLÖM INTE att också fortsättningsvis strikt följa säkerhetsanvisningarna för maskinen även efter att du blivit van att använda den. Vid FELAKTIG HANTERING av maskinen eller om inte säkerhetsanvisningarna i denna bruksanvisning följs kan följden bli allvarliga personsador.

Viktiga säkerhetsanvisningar för batterikassetten

- Innan batterikassetten används ska alla instruktioner och varningsmärken på (1) batteriladdaren, (2) batteriet och (3) produkten läsas.**
- Montera inte isär batterikassetten.**
- Om drifttiden blivit avsevärt kortare ska användningen avbrytas omedelbart. Det kan uppstå överhettning, brännskador och t o m en explosion.**
- Om du får elektrolyt i ögonen ska de sköljas med rent vatten och läkare uppsökas omedelbart. Det finns risk för att synen förloras.**
- Kortslut inte batterikassetten.**
 - Rör inte vid polerna med något strömförande material.**
 - Undvik att förvara batterikassetten tillsammans med andra metallobjekt som t.ex. spikar, mynt o.s.v.**
 - Skydda batteriet mot vatten och regn. En batterikortslutning kan orsaka ett stort strömflöde, överhettning, brand och maskinhaveri.**
- Förvara inte maskinen och batterikassetten på platser där temperaturen kan nå eller överstiga 50 °C.**
- Bränn inte upp batterikassetten även om den är svårt skadad eller helt utslitnen. Batterikassetten kan explodera i öppen eld.**
- Var försiktig så att du inte råkar tappa batteriet och utsätt det inte för stötar.**
- Använd inte ett skadat batteri.**
- De medföljande litiumjonbatterierna är föremål för kraven i gällande lagstiftning för farligt gods.**

För kommersiella transporter (av t.ex. tredje parter som speditiönsfirmor) måste de särskilda transportkrav som anges på emballaget och etiketter iakttagas.

För att förbereda den produkt som ska avsändas krävs att du konsulterar en expert på riskmaterial. Var också uppmärksam på att det i ditt land kan finnas ytterligare föreskrifter att följa.

Tejpa över eller maskera blottade kontakter och packa batteriet på sådant sätt att det inte kan röra sig fritt i förpackningen.
- Följ lokala föreskrifter beträffande avfallshantering av batteriet.**
- Använd endast batterierna med de produkter som specificerats av Makita. Att använda batterierna med ej godkända produkter kan leda till brand, överdriven värme, explosion eller utläckande elektrolyt.**

SPARA DESSA ANVISNINGAR.

⚠ FÖRSIKTIGT: Använda endast äkta Makita-batterier. Användning av oäkta Makita-batterier eller batterier som har manipulerats kan leda till person- och utrustningssador eller till att batteriet fattar eld. Det upphäver också Makitas garanti för verktyget och laddaren.

Tips för att uppnå batteriets maximala livslängd

1. Ladda batterikassetten innan den är helt urladdad. Stanna alltid maskinen och ladda batterikassetten när du märker att maskinen blir svagare.
2. Ladda aldrig en fulladdad batterikasset. Överladdning förkortar batteriets livslängd.
3. Ladda batterikassetten vid en rumstemperatur på 10 °C - 40 °C. Låt en varm batterikasset svalna innan den laddas.

FUNKTIONSBESKRIVNING

⚠ FÖRSIKTIGT: Se alltid till att maskinen är avstängd och batterikassetten borttagen innan du justerar maskinen eller kontrollerar dess funktioner.

Montera eller demontera batterikassetten

⚠ FÖRSIKTIGT: Stäng alltid av maskinen innan du monterar eller tar bort batterikassetten.

⚠ FÖRSIKTIGT: Håll stadigt i maskinen och batterikassetten när du monterar eller tar bort batterikassetten. I annat fall kan det leda till att de glider ur dina händer och orsakar skada på maskinen och batterikassetten samt personskada.

► Fig.1: 1. Röd indikator 2. Knapp 3. Batterikasset

Ta bort batterikassetten genom att skjuta ner knappen på kassetens framsida samtidigt som du drar ut batterikassetten.

Sätt in batterikassetten genom att rikta in tungan på batterikassetten mot spåret i höljet och skjut den på plats. Tryck in batterikassetten ordentligt tills den låser fast med ett klick. Om du kan se den röda indikatorn på knappens ovasida är den inte låst ordentligt.

⚠ FÖRSIKTIGT: Sätt alltid in batterikassetten helt tills den röda indikatorn inte längre syns. I annat fall kan den oväntat falla ur maskinen och skada dig eller någon annan.

⚠ FÖRSIKTIGT: Montera inte batterikassetten med våld. Om kassetten inte lätt glider på plats är den felinsatt.

Skyddssystem för batteri

Maskinen är utrustad med ett batteriskyddssystem. Detta system bryter automatiskt strömmen till motorn för att förlänga batteriets livslängd.

Maskinen stoppas automatiskt under pågående användning om någon av följande situationer uppstår:

Överbelastning:

Maskinen används på ett sätt som gör att den förbrukar onormalt mycket ström.

När detta sker stänger du av maskinen och upphör med arbetet som gjorde att maskinen överbelastades. Starta därefter upp maskinen igen.

Om maskinen inte startar är batteriet överhettat. Låt då batteriet svalna innan du startar maskinen igen.

Batterispänningen faller:

Den kvarvarande batterikapaciteten är för låg och maskinen fungerar inte. Om du trycker in avtryckaren går motorn igång men stannar snart igen. I detta läge tar du bort batteriet och laddar det.

Indikerar kvarvarande batterikapacitet

Endast för batterikassetter med indikator

► Fig.2: 1. Indikatorlampor 2. Kontrollknapp

Tryck på kontrollknappen på batterikassetten för att se kvarvarande batterikapacitet. Indikatorlamporna lyser i ett par sekunder.

Indikatorlampor		Återstående kapacitet
Upplyst	Av	
		75% till 100%
		50% till 75%
		25% till 50%
		0% till 25%

OBS: Beroende på användningsförhållanden och den omgivande temperaturen kan indikationen skilja sig lätt från den faktiska batterikapaciteten.

Avtryckarens funktion

► Fig.3: 1. Avtryckare

⚠ FÖRSIKTIGT: Innan du sätter in batterikassetten i maskinen ska du kontrollera att avtryckaren fungerar och återgår till läget "OFF" när du släpper den.

Tryck in avtryckaren för att starta maskinen. Hastigheten ökas genom att trycka hårdare på avtryckaren. Släpp avtryckaren för att stoppa maskinen.

Tända frontlampan

► Fig.4: 1. Lampa

⚠ FÖRSIKTIGT: Titta inte in i ljuset eller direkt i ljuskällan.

Tryck på avtryckaren för att tända lampan. Lampan fortsätter att lysa så länge du håller avtryckaren intryckt. Lampan slocknar ungefär 10 sekunder efter att du har släppt avtryckaren.

OBS: Använd en torr trasa för att torka bort smuts från lampglaset. Var försiktig så att inte lampglaset repas eftersom ljuset då kan bli svagare.

Reverseringsspakens funktion

► Fig.5: 1. Reverseringsspak

⚠ FÖRSIKTIGT: Kontrollera alltid rotationsriktningen före användning.

⚠ FÖRSIKTIGT: Använd endast reverseringsknappen när maskinen har stoppat helt. Maskinen kan skadas om du byter rotationsriktning medan den fortfarande roterar.

⚠ FÖRSIKTIGT: Ställ alltid in reverseringsspaken i neutralt läge när du inte använder maskinen.

Denna maskin har en reverseringsknapp för byte av rotationsriktning. Tryck in reverseringsspaken från sida A för medurs rotation och från sida B för moturs rotation. När reverseringsspaken är i neutralt läge fungerar inte avtryckaren.

Hastighetsändring

► Fig.6: 1. Hastighetsspak

⚠ FÖRSIKTIGT: Dra alltid hastighetsspaken hela vägen i korrekt läge. Om du använder maskinen och hastighetsspaken står halvvägs mellan sida "1" och sida "2" kan maskinen skadas.

⚠ FÖRSIKTIGT: Ändra inte hastighetsspaken medan maskinen roterar. I annat fall kan maskinen skadas.



Läge för hastighetsreglaget	Hastighet	Vridmoment	Aktuell drift
1	Låg	Hög	Drift med hög belastning
2	Hög	Låg	Drift med lätt belastning

Om du vill ändra hastigheten ska du först stänga av maskinen. Välj sida "2" för hög hastighet eller "1" för låg hastighet men högt vridmoment. Kontrollera att hastighetsreglaget står i rätt läge före användning.

Om maskinens hastighet sänks extremt under ett arbetsmoment i läge "2" ska du flytta spaken till "1" och starta om arbetsmomentet.




Välja arbetsläge

⚠ FÖRSIKTIGT: Ställ alltid in ringen noga på det önskade läget. Om du använder maskinen med ringen placerad halvvägs mellan lägesmarkeringarna kan maskinen skadas.

⚠ FÖRSIKTIGT: När du ändrar läget från "  " till andra lägen kan det vara lite svårt att skjuta ringen för byte av arbetsläge. Starta då maskinen och kör en kort stund i läget "  ", stanna sedan maskinen och skjut ringen till önskat läge.

► Fig.7: 1. Ring för byte av arbetsläge
2. Inställningsring 3. Gradering 4. Pil

Maskinen har tre funktionslägen.

-  Borrläge (endast rotation)
 -  Slagborrningsläge (rotation med slag)
 -  Skruvdragarläge (rotation med koppling)
- Välj ett läge som är lämpligt för arbetsuppgiften. Vrid ringen för val av arbetsläge och rikta in lägesmarkeringen efter pilen på maskinens stomme.

Ställa in åtdragningsmomentet

► Fig.8: 1. Ring för byte av arbetsläge
2. Inställningsring 3. Gradering 4. Pil

Åtdragningsmomentet kan justeras i 20 steg genom att vrida på inställningsringen. Rikta in graderingsstegen mot pilen på verktygskroppen. Vid 1 får du det minsta åtdragningsmomentet och vid 20 får du det maximala åtdragningsmomentet.

Innan du börjar arbeta bör du skruva i en provskruv i ditt material eller i ett stycke av samma material så att du vet vilket vridmoment som passar för varje specifik användning. Följande är en grov överblick över förhållandet mellan skruvdimensioner och graderingssteg.

Gradering		1	2	3	4	5	6	7	8	9	10	11	12	13	14	15	16	17	18	19	20
Maskinskruv		M4									M5						M6				
Träskruv	Mjukt trä (t.ex. tall)	-									φ3,5 x 22						φ4,1 x 38				
	Hårt trä (t.ex. lauan)	-									φ3,5 x 22						-				
		-															φ4,1 x 38				

MONTERING

⚠ FÖRSIKTIGT: Se alltid till att maskinen är avstängd och batterikassetten borttagen innan du underhåller maskinen.

Montering eller demontering av skruvbits/borr

Valfria tillbehör

► Fig.9: 1. Hylsa 2. Stång 3. Öppna

Vrid hylsan moturs för att öppna chucken. Skjut in skruvbitset/borret i chucken så långt det går. Vrid hylsan medurs för att dra åt chucken. Vrid hylsan moturs när du ska ta bort skruvbitset/borret.

Monteringskrok

⚠ FÖRSIKTIGT: När kroken monteras skall alltid skruven dras åt ordentligt. Om inte kan kroken lossa från maskinen och leda till personskada.

► Fig.10: 1. Spår 2. Krok 3. Skruv

Haken kan användas när du vill hänga upp verktyget temporärt. Den kan monteras på båda sidorna av maskinen. För att montera kroken sätter du i den i ett spår i maskinhuset på endera sida och drar fast den med en skruv. Ta bort kroken genom att skruva loss skruven.

Montering av skruvbitshållare

Valfria tillbehör

► Fig.11: 1. Skruvbitshållare 2. Skruvbits

Passa in skruvbitshållaren på den utskjutande delen på verktygsfoten, antingen på höger eller vänster sida, och fäst den med en skruv. Placera skruvbitset i hållaren när det inte används. Skruvbits upp till 45 mm kan förvaras här.

ANVÄNDNING

⚠ FÖRSIKTIGT: Skjut alltid in batterikassetten ordentligt tills den låses på plats. Om du kan se den röda indikatorn på knappens ovansida är den inte låst ordentligt. Skjut in den helt tills den röda indikatorn inte syns längre. I annat fall kan batterikassetten plötsligt lossna från maskinen och skada dig eller någon annan.

⚠ FÖRSIKTIGT: När hastigheten sjunker extremt mycket ska du minska belastningen eller stoppa maskinen för att undvika maskinskada.


Håll verktyget stadigt med en hand om handtaget och den andra handen under batteriet för att kontrollera vridningen.

► Fig.12

Skruvdragning

⚠ FÖRSIKTIGT: Anpassa inställningsringen så att du får rätt åtdragningsmoment för ditt arbete.


⚠ FÖRSIKTIGT: Se till att skruvbitset placeras rakt i skruvskallen för att inte skruven och/eller skruvbitset ska skadas.

Vrid först ringen för byte av arbetsläge så att pilen på maskinhuset pekar mot  -markeringen. Placera spetsen på skruvbitset i skruvhuvudet och tryck med maskinen. Starta maskinen sakta och öka sedan hastigheten gradvis. Släpp avtryckaren så fort kopplingen slirar.

OBS: Vid skruvning med träskruv är det lämpligt att förborra ett styrlhål som är två tredjedelar av skruvens diameter. Det gör skruvdragningen enklare och förhindrar att träet spricker.

Slagborrning

⚠ FÖRSIKTIGT: Maskinen/borret utsätts för en plötslig och oerhört stor vridande kraft vid hålgenomslaget när hålet fylls av spån och partiklar eller när du slår in i armeringsjärn i betongen.

Vrid först ringen för byte av arbetsläge så att pilen på maskinhuset pekar mot  -markeringen. Inställningsringen kan ställas in på valfritt åtdragningsmoment för detta arbete.

Använd ett borr med hårdmetallspets. Placera borret där hålet ska vara och tryck sedan in avtryckaren. Tryck inte hårt med maskinen. Lätt tryck ger bäst resultat. Håll maskinen i läge och hindra den från att glida iväg från hålet. Tryck inte hårdare när hålet fylls med spån eller partiklar. Kör istället maskinen på tomgång och ta sedan delvis ut borret från hålet. Genom att upprepa detta flera gånger rensas hålet och normal borrning kan återupptas.


Gummituta

Valfria tillbehör

► Fig.13: 1. Gummituta

Efter borrning av hålet används gummitutan för att blåsa rent hålet.

Borrning

Vrid först inställningsringen så att pilen pekar mot markeringen . Fortsätt sedan enligt följande:

Borra i trä

Vid borrning i trä uppnår du bäst resultat om du använder ett träborr med styrskruv. Styrskruven gör det enklare att borra genom att den drar in borret i arbetsstycket.

Borra i metall

För att borret inte ska halka när du börjar borra kan du göra ett märke med en syl och en hammare i punkten där hålet ska borras. Placera borrets spets i sylhålet och börja borra.

Använd ett smörjmedel vid borrning i metall.

Undantagen är järn och mässing som ska borras torrt.

⚠ FÖRSIKTIGT: Borrningen går inte fortare för att du trycker hårdare på maskinen. Detta extra tryck skadar bara toppen på ditt borr, sänker maskinens prestanda och förkortar maskinens livslängd.

⚠ FÖRSIKTIGT: Håll ett stadigt tag i maskinen och var försiktig när borret börjar tränga igenom arbetsstycket. Det utvecklas en enorm kraft på maskinen/borret vid hålgenomslaget.

⚠ FÖRSIKTIGT: Ett borr som fastnat kan enkelt backas ur genom att reversera borrningens rotationsriktning. Maskinen kan dock plötsligt backa ut om du inte håller i den ordentligt.

⚠ FÖRSIKTIGT: Fäst alltid arbetsstycken i ett stöd eller liknande fasthållningsanordningar.


⚠ FÖRSIKTIGT: Om maskinen används löpande tills batteriet är tomt bör maskinen vila 15 minuter innan du fortsätter arbetet med ett laddat batteri.

Använda maskinen som en handskruvmejsel

► Fig.14

Stäng av maskinen.

Flytta reverseringsspaken till dess neutrala position.

Vrid ringen för byte av arbetsläge så att pilen pekar på  -markeringen.

Vrid på verktyget.

OBS: Denna användning är bekväm för att kontrollera skruvdragningen.

OBS: Använd inte maskinen för arbete som kräver att du trycker hårt med den, såsom åtdragning av bultar eller för att ta bort rostiga skruvar.

Användning av hölster

Valfria tillbehör

⚠ FÖRSIKTIGT: Ta bort skruvbits/borr från verktyget när du använder ett hölster.

⚠ FÖRSIKTIGT: Stäng av maskinen och vänta tills den stannar helt innan du placerar den i hölstret.

Kontrollera att hölstret låsts fast ordentligt med hölsterknappen så att det håller maskinen stadigt på plats.

1. Trä ett midjebälte eller liknande genom hållaren i hölstret.

► **Fig.15:** 1. Hölstrets hållare 2. Midjebälte

2. Sätt maskinen i hölstret och lås fast den med hölsterknappen.

► **Fig.16**

► **Fig.17**

Du kan förvara två skruvbits framtill i hölstret.

UNDERHÅLL

⚠ FÖRSIKTIGT: Se alltid till att maskinen är avstängd och batterikassetten borttagen innan inspektion eller underhåll utförs.

OBSERVERA: Använd inte bensin, förtunningsmedel, alkohol eller liknande. Missfärgning, deformation eller sprickor kan uppstå.

För att upprätthålla produktens SÄKERHET och TILLFÖRLITLIGHET bör allt underhålls- och justeringsarbete utföras av ett auktoriserat Makita servicecenter och med reservdelar från Makita.

VALFRIA TILLBEHÖR

⚠ FÖRSIKTIGT: Följande tillbehör eller tillsatser rekommenderas för användning med den Makita-maskin som denna bruksanvisning avser. Om andra tillbehör eller tillsatser används kan det uppstå risk för personskador. Använd endast tillbehören eller tillsatserna för de syften de är avsedda för.

Kontakta ditt lokala Makita servicecenter om du behöver ytterligare information om dessa tillbehör.

- Borr
- Skruvbits
- Hylsbits
- Borr med hårdmetallspets
- Gummituta
- Skruvbitshållare
- Krok
- Hölster
- Makitas originalbatteri och -laddare

OBS: Några av tillbehören i listan kan vara inkluderade i maskinpaketet som standardtillbehör. De kan variera mellan olika länder.

TEKNISKE DATA

Modell:		HP333D
Borekapasitet	Murarbeid	8 mm
	Stål	10 mm
	Tre	21 mm
Festekapasitet	Treskrue	5,1 mm x 63 mm
	Maskinskrue	M6
Hastighet uten belastning	Høy (2)	0 - 1 700 min ⁻¹
	Lav (1)	0 - 450 min ⁻¹
Slag per minutt	Høy (2)	0 - 25 500 min ⁻¹
	Lav (1)	0 - 6 750 min ⁻¹
Total lengde		193 mm
Nominell spenning		DC 10,8 V - 12 V maks
Nettovekt		1,1 - 1,3 kg

- På grunn av vårt kontinuerlige forsknings- og utviklingsprogram kan spesifikasjonene som oppgis i dette dokumentet endres uten varsel.
- Spesifikasjonene kan variere fra land til land.
- Vekten kan variere avhengig av tilbehøret/tilbehørene, inkludert batteriet. Den letteste og tyngste kombinasjonen, i henhold til EPTA-prosedyre 01/2014, vises i tabellen.

Passende batteri og lader

Batteriinnsett	BL1015 / BL1016 / BL1020B / BL1021B / BL1040B / BL1041B
Lader	DC10SA / DC10SB / DC10WC / DC10WD / DC18RE

- Noen av batteriene og laderne som er opplistet ovenfor er kanskje ikke tilgjengelige, avhengig av hvor du bor.

⚠ ADVARSEL: Bruk kun de batteriene og laderne som er opplistet ovenfor. Bruk av andre batterier og ladere kan føre til personskader og/eller brann.

Riktig bruk

Dette verktøyet er laget for slagboring i murstein, murverk og murarbeid. Det egner seg også til skruing og boring uten slagfunksjon i tre, metall, keramikk og plast.

Støy

Typisk A-vektet lydtrykknivå er bestemt i henhold til EN60745-2-1:

Lydtrykknivå (L_{pA}): 82 dB (A)

Lydeffektnivå (L_{WA}): 93 dB (A)

Usikkerhet (K): 3 dB (A)

⚠ ADVARSEL: Bruk hørselsvern.

Vibrasjoner

Den totale vibrasjonsverdien (triaksial vektorsum) bestemt i henhold EN60745-2-1:

Arbeidsmodus: slagboring i betong

Genererte vibrasjoner ($a_{h,1D}$): 13,0 m/s²

Usikkerhet (K): 1,5 m/s²

Arbeidsmodus: Bore inn i metall

Genererte vibrasjoner ($a_{h,1D}$): 2,5 m/s² eller mindre

Usikkerhet (K): 1,5 m/s²

MERK: Den angitte verdien for de genererte vibrasjonene er målt i samsvar med standardtestmetoden og kan brukes til å sammenlikne et verktøy med et annet.

MERK: Den angitte verdien for de genererte vibrasjonene kan også brukes til en foreløpig vurdering av eksponeringen.

⚠ ADVARSEL: De genererte vibrasjonene ved faktisk bruk av elektroverktøyet kan avvike fra den angitte vibrasjonsverdien, avhengig av hvordan verktøyet brukes.

⚠ ADVARSEL: Sørg for å identifisere vernetiltak for å beskytte operatøren, som er basert på et estimat av eksponeringen under de faktiske bruksforholdene (idet det tas hensyn til alle deler av driftssyklusen, dvs. hvor lenge verktøyet er slått av, hvor lenge det går på tomgang og hvor lenge startbryteren faktisk holdes trykket).

EFs samsvarserklæring

Gjelder kun for land i Europa

EFs samsvarserklæring er lagt til som vedlegg A i denne bruksanvisningen.

SIKKERHETSADVARSEL

Generelle advarsler angående sikkerhet for elektroverktøy

⚠ADVARSEL: Les alle sikkerhetsadvarsler, instruksjoner, illustrasjoner og spesifikasjoner som følger med dette elektroverktøyet. Hvis ikke alle instruksjonene nedenfor følges, kan det forekomme elektrisk støt, brann og/eller alvorlig skade.

Oppbevar alle advarsler og instruksjoner for senere bruk.

Uttrykket «elektrisk verktøy» i advarslene refererer både til elektriske verktøy (med ledning) tilkoblet strømmettet, og batteridrevne verktøy (uten ledning).

Sikkerhetsadvarsler for den batteridrevne slagboremaskinen

- Bruk hørselsvern under slagboring.** Støy kan føre til nedsett hørsel.
- Bruk hjelpehåndtak, hvis det (de) følger med maskinen.** Hvis maskinen kommer ut av kontroll, kan det resultere i helseskader.
- Hold maskinen i det isolerte håndtaket når skjæreverktøyet kan komme i kontakt med skjulte ledninger under arbeidet.** Hvis kuttetilbehøret kommer i kontakt med «strømførende» ledninger, kan ikke isolerte metalldele i maskinen bli «strømførende» og kunne gi brukeren elektrisk støt.
- Hold maskinen i det isolerte håndtaket når festemidlet kan komme i kontakt med skjulte ledninger under arbeidet.** Hvis skruer eller bolter kommer i kontakt med en «strømførende» ledning, kan metalldelene på det elektriske verktøyet bli «strømførende» og føre til at brukeren får støt.
- Pass på at du har godt fotfeste.** Forviss deg om at ingen står under deg når du jobber høyt over bakken.
- Hold godt fast i verktøyet.**
- Hold hendene unna roterende deler.**
- Ikke gå fra verktøyet mens det er i gang.** Verktøyet må bare brukes mens operatøren holder det i hendene.
- Ikke berør borkronen eller arbeidsstykket umiddelbart etter bruk.** Disse vil da være ekstremt varme, og du kan få brannskår.
- Enkelte materialer inneholder kjemikalier som kan være giftige.** Treff tiltak for å hindre hudkontakt og innånding av støv. Følg leverandørens sikkerhetsanvisninger.
- Hvis du ikke klarer å løse boret selv om du åpner kjevene, drar du det ut ved hjelp av en tang.** Når du drar ut boret for hånd, må du passe på at du ikke skader deg på den skarpe kanten.

TA VARE PÅ DISSE INSTRUKSENE.

⚠ADVARSEL: IKKE LA hensynet til hva som er "behagelig" eller det faktum at du kjenner produktet godt (etter mange gangers bruk) gjøre deg mindre oppmerksom på sikkerhetsreglene for bruken av det aktuelle produktet. Ved MISBRUK eller hvis ikke sikkerhetsreglene i denne bruksanvisningen følges, kan det oppstå alvorlig personskade.

Viktige sikkerhetsanvisninger for batteriinnsetts

- Før du begynner å bruke batteriet, må du lese alle anvisninger og forsiktighetsregler på (1) batteriladeren, (2) batteriet og (3) det produktet batteriet skal brukes i.**
- Ikke ta fra hverandre batteriet.**
- Hvis driftstiden er blitt vesentlig kortere, må du omgående slutte å bruke maskinen.** Hvis ikke kan resultatet bli overoppheting, mulige forbrenninger eller til og med en eksplosjon.
- Hvis du får elektrolytt i øynene, må du skylle dem med store mengder rennende vann og oppsøke lege med én gang.** Denne typen uhell kan føre til varig blindhet.
- Ikke kortslett batteriet:**
 - De kan være ekstremt varme og du kan brenne deg.**
 - Ikke lagre batteriet i samme beholder som andre metallgjenstander, som for eksempel spiker, mynter osv.**
 - Ikke la batteriet komme i kontakt med vann eller regn.**

En kortslutning av batteriet kan føre til et kraftig strømstøt, overoppheting, mulige forbrenninger og til og med til at batteriet går i stykker.

- Ikke lagre maskinen og batteriet på steder hvor temperaturen kan komme opp i eller overskride 50 °C.**
- Ikke sett fyr på batteriet, ikke engang om det er sterkt skadet eller helt utslitt.** Batteriet kan eksplodere hvis det begynner å brenne.
- Vær forsiktig så du ikke mister batteriet eller utsetter det for slag.**
- Ikke bruk batterier som er skadet.**
- Lithium-ion-batteriene som medfølger er gjenstand for krav om spesialavfall.** For kommersiell transport, f.eks av tredjeparter eller speditører, må spesielle krav om pakking og merking følges. Før varen blir sendt, må du forhøre deg med en ekspert på farlig materiale. Ta også hensyn til muligheten for mer detaljerte nasjonale bestemmelser. Bruk teip eller maskeringsteip for å skjule åpne kontakter og pakk inn batteriet på en slik måte at den ikke kan bevege seg rundt i emballasjen.
- Følg lokale bestemmelser for avhending av batterier.**
- Bruk batteriene kun med produkter spesifisert av Makita.** Montere batteriene i produkter som ikke er konforme kan føre til brann, overheting eller elektrolyttlekkasje.

TA VARE PÅ DISSE INSTRUKSENE.

⚠FORSIKTIG: Bruk kun originale Makita-batterier. Bruk av batterier som har endret seg, eller som ikke er originale Makita-batterier, kan føre til at batteriet sprekker og forårsaker brann, personskader og andre skader. Det vil også ugyldiggjøre garantien for Makita-verktøyet og -laderen.

Tips for å opprettholde maksimal batterilevetid

1. **Lad batteriinnsetsen før den er helt utladet. Stopp alltid driften av verktøyet og lad batteriinnsetsen når du merker at effekten reduseres.**
2. **Lad aldri en batteriinnsets som er fulladet. Overopplading forkorter batteriets levetid.**
3. **Lad batteriet i romtemperatur ved 10 °C - 40 °C. Et varmt batteri må kjøles ned før lading.**

FUNKSJONS BESKRIVELSE

⚠FORSIKTIG: Forviss deg alltid om at maskinen er slått av og batteriet tatt ut før du justerer maskinen eller kontrollerer dens mekaniske funksjoner.

Sette inn eller ta ut batteri

⚠FORSIKTIG: Slå alltid av verktøyet før du setter inn eller fjerner batteriet.

⚠FORSIKTIG: Hold verktøyet og batteripatronen i et fast grep når du monterer eller fjerner batteripatronen. Hvis du ikke holder verktøyet og batteripatronen godt fast, kan du miste grepet, og dette kan føre til skader på verktøyet og batteripatronen samt personskafer.

► Fig.1: 1. Rød indikator 2. Knapp 3. Batteriinnsets

For å ta ut batteriet må du skyve på knappen foran på batteriet og trekke det ut.

Når du skal sette inn batteriet, må du plassere tungen på batteriet på linje med sporet i huset og skyve batteriet på plass. Skyv det helt inn til det går i inngrep med et lite klikk. Hvis du kan se den røde anviseren på oversiden av knappen, er det ikke fullstendig låst.

⚠FORSIKTIG: Batteriet må alltid settes helt inn, så langt at den røde anviseren ikke lenger er synlig. Hvis dette ikke gjøres, kan batteriet komme til å falle ut av maskinen og skade deg eller andre som oppholder seg i nærheten.

⚠FORSIKTIG: Ikke bruk makt når du setter i batteriet. Hvis batteriet ikke glir lett inn, er det fordi det ikke settes inn på riktig måte.

Batteribeskyttelsessystem

Verktøyet er utstyrt med et batterivernssystem. Dette systemet slår automatisk av strømmen til motoren for å forlenge batteriets levetid.

Verktøyet stopper automatisk ved drift hvis det og/eller batteriet utsettes for en av følgende tilstander:

Overbelastning:

Verktøyet brukes på en måte som gjør at det trekker uvanlig mye strøm.

I dette tilfellet må du slå av verktøyet og avslutte bruken som forårsaket at verktøyet ble overbelastet. Slå deretter verktøyet på for å starte det igjen.

Hvis verktøyet ikke starter, er batteriet overbelastet. I så fall må du la batteriet kjøle seg ned før du slår verktøyet på igjen.

Lav batterispenning:

Gjenværende batterikapasitet er for lav og verktøyet vil ikke fungere. Når du starter verktøyet, starter motoren, men den stopper like etterpå. I dette tilfellet, fjern og lad batteriet opp igjen.

Indikere gjenværende batterikapasitet

Kun for batterier med indikatoren

► Fig.2: 1. Indikatorlamper 2. Kontrollknapp

Trykk på sjekk-knappen på batteriet for vise gjenværende batterikapasitet. Indikatorlampene lyser i et par sekunder.

Indikatorlamper		Gjenværende batterinivå
Tent	Av	
		75% til 100%
		50% til 75%
		25% til 50%
		0% til 25%

MERK: Det angitte nivået kan avvike noe fra den faktiske kapasiteten alt etter bruksforholdene og den omgivende temperaturen.

Bryterfunksjon

► Fig.3: 1. Startbryter

⚠FORSIKTIG: Før du setter batteriet inn i maskinen, må du alltid kontrollere at startbryteren aktiverer maskinen på riktig måte og går tilbake til «AV»-stilling når den slippes.

For å starte maskinen, må du trykke på startbryteren. Når du trykker hardere på startbryteren, øker hastigheten på verktøyet. Slipp opp bryteren for å stanse verktøyet.

Tenne frontlampen

► Fig.4: 1. Lampe

⚠FORSIKTIG: Ikke se inn i lyset eller se direkte på lyskilden.

Trykk inn startbryteren for å tenne lampen. Lampen fortsetter å lyse så lenge startbryteren holdes inne. Lampen slukkes omtrent 10 sekunder etter at startbryteren er sluppet.

MERK: Bruk en tørr klut til å tørke støv osv. av lampelinsen. Vær forsiktig så det ikke blir riper i lampelinsen, da dette kan redusere lysstyrken.

Reverseringsfunksjon

► Fig.5: 1. Reverseringsspak

⚠FORSIKTIG: Før arbeidet begynner, må du alltid kontrollere rotasjonsretningen.

⚠FORSIKTIG: Bruk reversbryteren bare etter at verktøyet har stoppet helt. Hvis du endrer rotasjonsretningen før verktøyet har stoppet, kan det bli ødelagt.

⚠FORSIKTIG: Når du ikke skal bruke maskinen lenger, må du alltid sette reversbryteren i nøytral stilling.

Dette verktøyet har en reversbryter som kan brukes til å endre rotasjonsretningen. Trykk inn reversbryteren fra «A»-siden for å velge rotasjon med klokken, eller fra «B»-siden for å velge rotasjon mot klokken. Når reversbryteren er i nøytral stilling, kan ikke startbryteren trykkes inn.

Turtallsending

► Fig.6: 1. Hastighetsvelger

⚠FORSIKTIG: Hastighetsvelgeren må alltid settes i helt riktig posisjon. Hvis du bruker maskinen med hastighetsvelgeren innstilt på et punkt midt mellom posisjon «1» og «2», kan maskinen bli ødelagt.



⚠FORSIKTIG: Ikke bruk hastighetsvelgeren mens verktøyet er i bruk. Dette kan skade verktøyet.

Hastighetsvelgerens posisjon	Hastighet	Moment	Aktuell drift
1	Lav	Høy	Drift med tung last
2	Høy	Lav	Drift med lett last

Slå av verktøyet for å endre hastighet. Velg posisjon «2» for høy hastighet eller posisjon «1» for lav hastighet med høyt dreiemoment. Forviss deg om at hastighetsvelgeren er i riktig posisjon før du tar i bruk maskinen. Hvis hastigheten på verktøyet reduseres betydelig under drift i posisjon «2», skyv velgeren til posisjon «1» og start operasjonen på nytt.




Velge en funksjon

⚠FORSIKTIG: Funksjonsvelgeren må alltid stilles inn riktig på det ønskede funksjonsmerket. Hvis du bruker maskinen med funksjonsvelgeren halvveis mellom to av funksjonsmerkene, kan maskinen bli ødelagt.

⚠FORSIKTIG: Når du skifter posisjon fra «» til andre modi, kan det være litt vanskelig å bevege funksjonsvelgeren. Hvis dette skjer slår du på, og kjører verktøyet et øyeblikk i posisjonen «», stopper verktøyet og dreier velgeren til ønsket posisjon.

► Fig.7: 1. Funksjonsvelger 2. Justeringsring 3. Gradinndeling 4. Pil

Dette verktøyet har tre funksjonsmodi.

-  Boremodus (kun rotering)
-  Slagbor-modus (rotasjon med slag)
-  Skrumodus (rotasjon med kløtsj)

Velg modus som er egnet for arbeidet. Vri endringsringen for modus, og rett inn merket som du valgte med pilen på verktøykroppen.

Justere tiltrekkingsmomentet

► Fig.8: 1. Funksjonsvelger 2. Justeringsring 3. Gradinndeling 4. Pil

Tiltrekkingsmomentet kan justeres i 20 nivåer ved å dreie justeringsringen. Rett inn gradinndelingen med pilen på verktøykroppen. Du oppnår minimum tiltrekkingsmoment i posisjon 1 og maksimalt dreiemoment i posisjon 20. Før den faktiske arbeidsoperasjonen skal utføres, bør du skru inn en prøveskrue i materialet ditt, eller i et materiale av samme type, for å finne ut hvilket dreiemoment som kreves for en bestemt bruk. Følgende viser en oversikt over forholdet mellom størrelse på skruen og gradinndelingen.

Gradinndeling		1	2	3	4	5	6	7	8	9	10	11	12	13	14	15	16	17	18	19	20
Maskinskrue		M4								M5						M6					
Treskrue	Mykt tre (f.eks. furu)	-								∅3,5 x 22						∅4,1 x 38					
	Hardt tre (f.eks. kryssfinér)	-								∅3,5 x 22						-					
		-								-						∅4,1 x 38					

MONTERING

⚠️FORSIKTIG: Forviss deg alltid om at maskinen er slått av og batteriet tatt ut før du utfører noe arbeid på maskinen.

Montere eller demontere skrutrekkerbor eller bor

Valgfritt tilbehør

► Fig.9: 1. Hylse 2. Lukke 3. Åpne

Skrue mansjettene mot klokken for å åpne kjevene på kjoksen. Sett skrutrekkerboret/boret så langt inn i kjoksen som det vil gå. Vri mansjettene med klokken for å stramme kjoksen. For å fjerne skrutrekkerboret/boret må du vri mansjettene mot klokken.

Monteringskrok

⚠️FORSIKTIG: Når du monterer kroken, må du stramme skruen godt. Hvis ikke kan kroken løsne fra verktøyet og forårsake personskade.

► Fig.10: 1. Spor 2. Krok 3. Skru

Kroken er praktisk for å henge opp verktøyet med for kortere tid. Den kan monteres på begge sider av verktøyet. For å montere kroken, må du sette den inn i sporet på en av sidene av verktøyhuset og feste den med en skru. Ta den av igjen ved å løsne skruen.

Montere skrutrekkerborholder

Valgfritt tilbehør

► Fig.11: 1. Skrutrekkerborholder 2. Skrutrekkerbor

Sett skrutrekkerborholderen inn i fremspringet på foten av maskinen, enten på høyre eller venstre side og fest den med en skru.

Når du ikke bruker skrutrekkerboret, må du oppbevare det i skrutrekkerborholderne. Her kan det oppbevares opptil 45 mm lange skrutrekkerbor.

BRUK

⚠️FORSIKTIG: Batteriet må alltid settes helt inn, til det låses på plass. Hvis du kan se den røde anviseren på oversiden av knappen, er det ikke fullstendig låst. Sett batteriet helt inn, så langt at den røde anviseren ikke lenger er synlig. Hvis dette ikke gjøres, kan batteriet falle ut av maskinen og skade deg eller andre som oppholder seg i nærheten.

⚠️FORSIKTIG: Når hastigheten reduseres kraftig, må du redusere belastningen på verktøyet eller stoppe det for å unngå skade på verktøyet.


Hold maskinen godt med en hånd på håndtaket og den andre hånden nederst på batteripatronen for å holde kontroll på svinge-bevegelsene.

► Fig.12

Skrutrekkerfunksjon

⚠️FORSIKTIG: Bruk justeringsringen til å stille inn korrekt momentnivå for den jobben du skal gjøre.


⚠️FORSIKTIG: Pass på at skrutrekkerbitset er satt rett ned i skruerhodet, ellers kan skruen og/eller skrutrekkerboret bli skadet.

Først må du dreie funksjonsvelgeren slik at pilen på maskinhuset peker på  -merket. Plasser spissen av boret i skruerhodet og bruk trykk på verktøyet. Start verktøyet sakte. Øk hastigheten gradvis. Slipp opp startbryteren når clutchen slår inn.

MERK: Når du skrur inn en treskrue, må du forhånds-bore et pilot hull på 2/3 av skrueens diameter. Dette gjør det enklere å skrue inn skruen, og hindrer at treverket sprekker.

Slagborfunksjon

⚠️FORSIKTIG: Verktøyet/borkronen utsettes for voldsomme og plutselige vridninger ved gjennombruddet, når hullet fylles opp av biter og partikler, eller når du treffer armeringsjernet i betongen.

Først må du dreie funksjonsvelgeren slik at pilen på maskinhuset peker på  -merket. Justeringsringen kan stilles inn på ethvert momentnivå for denne operasjonen. Pass på at du bruker en borkrone med wolframkarbidspiss. Plasser borkronen der du vil bore hullet, og trykk så på startbryteren. Ikke bruk makt. Lett trykk gir de beste resultatene. Hold verktøyet i riktig posisjon og sørg for at det ikke gli bort fra hullet.

Ikke legg mer press på verktøyet når hullet fylles av biter eller partikler. La i stedet verktøyet gå på tomgang, og trekk deretter borkronen delvis ut av hullet. Ved å gjenta dette flere ganger, vil hullet rengjøres, og normal boring kan gjenopptas.

Utblåsningsballong

Valgfritt tilbehør

► Fig.13: 1. Utblåsningsballong

Etter at du har boret et hull, må du bruke utblåsningsballongen til å fjerne støv fra hullet.

Borfunksjon

Vri først justeringsringen slik at pilen peker mot  -merket. Fortsett deretter som følger.

Bore i tre

Når du borer i tre, blir resultatene best med trebor som er utstyrt med en ledeskruer. Ledeskruen forenkler boringen ved at den trekker skrutrekkerboret inn i arbeidsstykket.

Bore i metall

For at ikke skrutrekkerboret skal gli når du begynner å bore, må du lage en fordypning med en dor og en hammer der hullet skal bores. Sett spissen av skrutrekkerboret i fordypningen og begynn å bore. Bruk en skjærevæske når du borer i metall. Unntakene er jern og messing som skal bores tørt.

⚠FORSIKTIG: Hvis du bruker for mye kraft på verktøyet, vil det ikke øke borehastigheten. Overdreven bruk av kraft vil tvert imot kunne bidra til å ødelegge spissen av skrutrekkerboret, redusere verktøyeffekten og forkorte verktøyets levetid.

⚠FORSIKTIG: Hold verktøyet i et fast grep, og vær forsiktig når skrutrekkerboret begynner å bryte gjennom arbeidsstykket. I gjennombruddsøyeblikket virker det en enorm kraft på verktøyet/skrutrekkerboret.

⚠FORSIKTIG: Et skrutrekkerbor som sitter fast kan fjernes hvis du setter reversbryteren til motsatt rotasjonsretning, så verktøyet kan bakke ut. Verktøyet kan imidlertid komme brått ut hvis du ikke holder det i et fast grep.

⚠FORSIKTIG: Arbeidsstykker må alltid festes med en skrustikke eller en liknende festeanordning.


⚠FORSIKTIG: Hvis verktøyet brukes kontinuerlig inntil batteriet er utladet, må du la verktøyet hvile i 15 minutter før du fortsetter med et nytt batteri.

Bruke verktøyet som manuell skrutrekker

► Fig.14

Slå av verktøyet.

Sett reverseringsspaken i nøytral posisjon.

Drei funksjonsringen slik at pilen peker mot -merket.

Drei verktøyet.

MERK: Slik bruk er nyttig ved kontroll av skruingen.

MERK: Ikke bruk maskinen til arbeid som krever stor kraft, som f.eks. festing av skruer eller fjerning av rustne skruer.

Bruke hylster

Valgfritt tilbehør

⚠FORSIKTIG: Når du bruker hylsteret, må du ta ut et skrutrekkerbor/bor.

⚠FORSIKTIG: Slå av verktøyet og vent til det står helt stille før du setter det i hylsteret. Pass på å lukke hylsteret ordentlig, med hylsterknappen, så maskinen holdes på plass i hylsteret.

1. Tre et belte eller liknende gjennom hylsterholderen.

► Fig.15: 1. Hylsterholder 2. Magebelte

2. Plasser maskinen i hylsteret og lås det med hylsterknappen.

► Fig.16

► Fig.17

Du kan oppbevare to skrutrekkerbor foran på hylsteret.

VEDLIKEHOLD

⚠FORSIKTIG: Forviss deg alltid om at maskinen er slått av og batteriet tatt ut før du foretar inspeksjon eller vedlikehold.

OBS: Aldri bruk gasolin, bensin, tynner alkohol eller lignende. Det kan føre til misfarging, deformering eller sprekkdannelse.

For å opprettholde produktets SIKKERHET og PALITELIGHET, må reparasjoner, vedlikehold og justeringer utføres av autoriserte Makita servicesentre eller fabrikk-servicesentre, og det må alltid brukes reservedeler fra Makita.

VALGFRIIT TILBEHØR

⚠FORSIKTIG: Det anbefales at du bruker dette tilbehøret eller verktøyet sammen med den Makita-maskinen som er spesifisert i denne håndboken. Bruk av annet tilbehør eller verktøy kan forårsake personskader. Tilbehør og verktøy må kun brukes til det formålet det er beregnet på.

Ta kontakt med ditt lokale Makita-servicesenter hvis du trenger mer informasjon om dette tilbehøret.

- Bor
- Skrutrekkerbor
- Hulbor
- Borkrone med wolframkarbidspiss
- Utblåsningsballong
- Skrutrekkerborholder
- Krok
- Hylster
- Makita originalbatteri og lader

MERK: Enkelte elementer i listen kan være inkludert som standardtilbehør i verktøypakken. Elementene kan variere fra land til land.

TEKNISET TIEDOT

Malli:		HP333D
Porauskapasiteetti	Muuraustyö	8 mm
	Teräs	10 mm
	Puu	21 mm
Kiinnityskapasiteetti	Puuruuvi	5,1 mm x 63 mm
	Koneruuvi	M6
Kuormittamaton kierrosnopeus	Korkea (2)	0 - 1 700 min ⁻¹
	Matala (1)	0 - 450 min ⁻¹
Lyöntiä minuutissa	Korkea (2)	0 - 25 500 min ⁻¹
	Matala (1)	0 - 6 750 min ⁻¹
Kokonaispituus		193 mm
Nimellisjännite		DC 10,8 V - 12 V maks.
Nettopaino		1,1 - 1,3 kg

- Jatkuvasta tutkimus- ja kehitystyöstämme johtuen esitetyt tekniset tiedot saattavat muuttua ilman erillistä ilmoitusta.
- Tekniset tiedot voivat vaihdella maittain.
- Paino voi olla erilainen lisävarusteista sekä akusta johtuen. EPTA-menettelytavan 01/2014 mukaisesti, taulukossa on kuvattu kevyin ja painavin laiteyhdistelmä.

Käytettävä akkupaketti ja laturi

Akkupaketti	BL1015 / BL1016 / BL1020B / BL1021B / BL1040B / BL1041B
Laturi	DC10SA / DC10SB / DC10WC / DC10WD / DC18RE

- Tiettyjä yläpuolella kuvattuja akkuja ja latureita ei ehkä ole saatavana asuinalueestasi johtuen.

VAROITUS: Käytä vain edellä eriteltyjä akkupaketteja ja latureita. Muiden akkupakettien ja laturien käyttäminen voi aiheuttaa loukkaantumisen ja/tai tulipalon.

Käyttötarkoitus

Työkalu on tarkoitettu tiilen, tiilimuurauksen ja muurauksen iskuporaukseen. Laitteella voidaan myös ruuvata ruuveja ja porata puuta, metallia, keramiikkaa ja muovia ilman iskutoimintaa.

Melutaso

Tyypillinen A-painotettu melutaso määräytyy standardin EN60745-2-1 mukaan:

Äänenpainetaso (L_{pA}) : 82 dB (A)

Äänen voiman taso (L_{WA}) : 93 dB (A)

Virhemarginaali (K): 3 dB (A)

VAROITUS: Käytä kuulosuojaimia.

Tärinä

Kokonaistärinä (kolmen akselin vektorien summa)

määräytyy standardin EN60745-2-1 mukaan:

Työtila: iskuporaus betoniin

Tärinäpäästö ($a_{h,D}$) : 13,0 m/s²

Virhemarginaali (K): 1,5 m/s²

Työtila: metalliin poraus

Tärinäpäästö ($a_{h,D}$) : 2,5 m/s² tai alhaisempi

Virhemarginaali (K): 1,5 m/s²

HUOMAA: Ilmoitettu tärinäpäästöarvo on mitattu standarditestausten menetelmän mukaisesti, ja sen avulla voidaan vertailla työkaluja keskenään.

HUOMAA: Ilmoitettua tärinäpäästöarvoa voidaan käyttää myös altistumisen alustavaan arviointiin.

VAROITUS: Työkalun käytön aikana mitattu todellinen tärinäpäästöarvo voi poiketa ilmoitetusta tärinäpäästöarvosta työkalun käyttötavan mukaan.

VAROITUS: Selvitä käyttäjän suojaamiseksi tarvittavat varoimet todellisissa käyttöolosuhteissa tapahtuvan arvioidun altistumisen mukaisesti (ottaen huomioon käyttöjakso kokonaisuudessaan, myös jaksot, joiden aikana työkalu on sammutettuna tai käy tyhjäkäynnillä).

EY-vaatimustenmukaisuusvakuutus

Koskee vain Euroopan maita

EY-vaatimustenmukaisuusvakuutus on liitetty tähän käyttöoppaaseen.

TURVAVAROITUKSET

Sähkötyökalujen käyttöä koskevat yleiset varoitukset

VAROITUS: Tutustu kaikkiin tämän sähkötyökalun mukana toimitettuihin varoituksiin, ohjeisiin, kuviin ja teknisiin tietoihin. Seuraavassa lueteltujen ohjeiden noudattamatta jättäminen saattaa johtaa sähköiskuun, tulipaloon tai vakavaan vammautumiseen.

Säilytä varoitukset ja ohjeet tulevaa käyttöä varten.

Varoituksissa käytettävällä termillä "sähkötyökalu" tarkoitetaan joko verkkovirtaa käyttävää (johdollista) työkalua tai akkukäyttöistä (johdotonta) työkalua.

Akkuskuorakoneen turvaohjeet

- Käytä iskuporauksen aikana kuulosuojaimia.** Melulle altistuminen saattaa aiheuttaa kuulokäyvyn heikentymistä.
- Käytä työkalun mukana mahdollisesti toimitettua lisäkahvaa tai kahvoja.** Hallinnan menetys voi aiheuttaa henkilövahinkoja.
- Kun suoritat toimenpidettä, jossa leikkaustyökalu voi joutua kosketukseen piilossa olevien johtojen kanssa, pidä kiinni työkalusta sen eristetyin tarttumispinnan kohdalta.** Jos leikkaustyökalu joutuu kosketukseen jännitteisen johdon kanssa, jännite voi siirtyä työkalun sähköä johtaviin metalliosiin ja aiheuttaa käyttäjälle sähköiskun.
- Pitele sähkötyökalua sen eristetyistä tartuntapinnoista silloin, kun on mahdollista, että kiinnitystarvike saattaa osua piilossa oleviin johtoihin.** Kiinnitystarvikkeen osuminen jännitteiseen johtoon voi johtaa jännitteisen työkalun sähköä johtaviin metalliosiin ja aiheuttaa käyttäjälle sähköiskun.
- Seiso aina tukevassa asennossa.** Varmista korkealla työskennellessäsi, että ketään ei ole alapuolella.
- Ota koneesta luja ote.**
- Pidä kädet loitolla pyörivistä osista.**
- Älä jätä konetta käymään itseksensä.** Käytä laitetta vain silloin, kun pidät sitä kädessä.
- Älä kosketa kärkeä tai työkalupäätä välittömästi käytön jälkeen, sillä ne voivat olla erittäin kuumia ja aiheuttaa palovammoja.**
- Jotkin materiaalit sisältävät kemikaaleja, jotka voivat olla myrkyllisiä.** Huolehdi siitä, että pölyn sisäänhengittäminen ja ihokosketus estetään. Noudata materiaalin toimittajan turvaohjeita.
- Jos poranterää ei voi irrottaa vaikka avaisit leuat, käytä pihtejä sen ulosvetämiseen.** Tässä tapauksessa poranterän ulosvetäminen käsin voi aiheuttaa tapaturmia sen terävästä reunasta johtuen.

SÄILYTÄ NÄMÄ OHJEET.

VAROITUS: ÄLÄ anna työkalun helpokäyttöisyyden (toistuvan käytön aikaansaama) johtaa sinua vääriin turvallisuuden tunteeseen niin, että laiminlyöt työkalun turvaohjeiden noudattamisen. **VÄÄRINKÄYTTÖ** tai tässä käyttöohjeessa ilmoitettujen turvämääräysten laiminlyönti voi aiheuttaa vakavia henkilövahinkoja.

Akkupakettia koskevia tärkeitä turvaohjeita

- Ennen akun käyttöönottoa tutustu kaikkiin laturissa (1), akussa (2) ja akkukäyttöisessä tuotteessa (3) oleviin varoitusteksteihin.**
- Älä pura akkua.**
- Jos akun toiminta-aika lyhenee merkittävästi, lopeta akun käyttö.** Seurauksena voi olla ylikuumentuminen, palovammoja tai jopa räjähdys.
- Jos akkunestettä pääsee silmiin, huuhtele puhtaalla vedellä ja hakeudu välittömästi lääkärin hoitoon.** Akkuneste voi aiheuttaa näön menetyksen.
- Älä oikosulje akkua.**
 - Älä koske akun napoihin millään sähköä johtavalla materiaaalilla.**
 - Vältä akun oikosulkemista äläkä säilytä akkua yhdessä muiden metalliesineiden, kuten naulojen, kolikoiden ja niin edelleen kanssa.**
 - Älä aseta akkua alttiiksi vedelle tai sateelle.** Oikosulku voi aiheuttaa virtapiikin, ylikuumentumista, palovammoja tai laitteen rikkoontumisen.
- Älä säilytä työkalua ja akkua paikassa, jossa lämpötila voi nousta 50 °C:een tai sitäkin korkeammaksi.**
- Älä hävitä akkua polttamalla, vaikka se olisi pahoin vaurioitunut tai täysin loppuun kulunut.** Avotuli voi aiheuttaa akun räjähtämisen.
- Varo kolhimasta tai pudottamasta akkua.**
- Älä käytä viallista akkua.**
- Sisältyviä litium-ioni-akkuja koskevat vaarallisten aineiden lainsäädännön vaatimukset.** Esimerkiksi kolmansien osapuolten huolintaliikkeiden tulee kaupallisissa kuljetuksissa noudattaa pakkaamista ja merkintöjä koskevia erityisvaatimuksia. Lähetettävän tuotteen valmistelu edellyttää vaarallisten aineiden asiantuntijan neuvontaa. Huomioi myös mahdollisesti yksityiskohtaisemmat kansalliset määräykset Akun avoimet liittimet tulee suojata teipillä tai suojuksella ja pakkaaminen tulee tehdä niin, ettei akku voi liikkua pakkauksessa.
- Hävitä akku paikallisten määräysten mukaisesti.**
- Käytä akkuja vain Makitan ilmoittamien tuotteiden kanssa.** Akkujen asentaminen yhteensopimattomiin tuotteisiin voi aiheuttaa tulipalon, liiallisen ylikuumentumisen, räjähdyksen tai akkunestevuotoja.

SÄILYTÄ NÄMÄ OHJEET.

HUOMIO: Käytä vain alkuperäisiä Makita-akkuja. Muiden kuin aitojen Makita-akkujen, tai mahdollisesti muutettujen akkujen käyttö voi johtaa akun murtumiseen ja aiheuttaa tulipaloja, henkilö- ja omaisuusvahinkoja. Se mitätöi myös Makita-tökalun ja -laturin Makita-takuun.

Vihjeitä akun käyttöiän pidentämiseksi

- Lataa akku ennen kuin se purkautuu täysin.** Lopeta aina työkalun käyttö ja lataa akku, jos huomaat työkalun tehon vähenävän.
- Älä koskaan lataa uudestaan täysin ladattua akkua.** Ylilataaminen lyhentää akun käyttöikä.
- Lataa akku huoneen lämpötilassa välillä 10 °C - 40 °C.** Anna kuuman akun jäähtyä ennen lataamista.

TOIMINTOJEN KUVAUS

▲HUOMIO: Varmista aina ennen säätöjä ja tarkastuksia, että työkalu on sammutettu ja akkupaketti irrotettu.

Akun asentaminen tai irrottaminen

▲HUOMIO: Sammuta työkalu aina ennen akun kiinnittämistä tai irrottamista.

▲HUOMIO: Pidä työkalusta ja akusta tiukasti kiinni, kun irrotat tai kiinnität akkua. Jos akkupaketti tai työkalu putoaa, ne voivat vaurioitua tai aiheuttaa tapaturman.

► **Kuva1:** 1. Punainen merkivalo 2. Painike
3. Akkupaketti

Irrota akku painamalla akun etupuolella olevaa painiketta ja vetämällä akku ulos työkalusta.

Akku liitetään sovittamalla akun kieleke rungon uraan ja työntämällä se sitten paikoilleen. Työnnä akku pohjaan asti niin, että kuulet sen napsahtavan paikoilleen. Jos painikkeen yläpuolella näkyy punainen ilmaisin, akku ei ole lukkiutunut täysin paikoilleen.

▲HUOMIO: Työnnä akku aina pohjaan asti, niin että punainen ilmaisin ei enää näy. Jos akku ei ole kunnolla paikallaan, se voi pudota työkalusta ja aiheuttaa vammoja joko sinulle tai sivullisille.

▲HUOMIO: Älä käytä voimaa akun asennuksessa. Jos akku ei liu'u paikalleen helposti, se on väärässä asennossa.

Akun suojausjärjestelmä

Työkalu on varustettu akun suojausjärjestelmällä. Tämä järjestelmä pidentää akun käyttöikää katkaisemalla moottorin virran automaattisesti.

Työkalu pysähtyy automaattisesti kesken käytön, jos työkalussa tai akussa ilmenee jokin seuraavista tilanteista:

Ylikuormitus:

Työkalua käytetään tavalla, joka saa sen kuluttamaan epätavallisen paljon virtaa.

Katkaise tässä tilanteessa työkalusta virta ja lopeta ylikuormitus tilan aiheuttanut käyttö. Käynnistä sitten työkalu uudelleen kytkemällä siihen virta.

Jos työkalu ei käynnisty, akku on ylikuumentunut. Anna tässä tilanteessa akun jäähtyä, ennen kuin kytket työkaluun virran uudelleen.

Alhainen akun jännite:

Akun varaus on liian alhainen eikä riitä työkalun käyttämiseen. Jos kytket työkalun päälle, moottori alkaa toimia, mutta pysähtyy pian. Irrota tässä tilanteessa akku ja lataa se.

Akun jäljellä olevan varaustason ilmaisin

Vain akkupaketeille ilmaisimella

► **Kuva2:** 1. Merkivalot 2. Tarkistuspainike

Painamalla tarkistuspainiketta saat näkyviin akun jäljellä olevan varaustason. Merkivalot palavat muutaman sekunnin ajan.

Merkivalot		Akussa jäljellä olevan varaus
Palaa	Pois päältä	
		75% - 100%
		50% - 75%
		25% - 50%
		0% - 25%

HUOMAA: Ilmoitettu varaustaso voi erota hieman todellisesta varaustasosta sen mukaan, millaisissa oloissa ja missä lämpötilassa laitetta käytetään.

Kytkimen käyttäminen

► **Kuva3:** 1. Liipaisinkytkin

▲HUOMIO: Tarkista aina ennen akkupaketin asettamista työkaluun, että liipaisinkytkin kytketty oikein ja palaa "OFF"-asentoon, kun se vapautetaan.

Käynnistä työkalu painamalla liipaisinkytkintä. Mitä voimakkaammin liipaisinkytkintä painetaan, sitä nopeammin työkalu pyörii. Voit pysäyttää työkalun vapauttamalla liipaisimen.

Etulampun sytyttäminen

► **Kuva4:** 1. Lamppu

▲HUOMIO: Älä katso suoraan lamppuun tai valonlähteeseen.

Lamppu syttyy, kun painat liipaisinkytkintä. Lamppu palaa niin kauan kuin liipaisinkytkintä painetaan. Lamppu sammuu noin 10 sekunnin kuluttua liipaisinkytkimen vapauttamisesta.

HUOMAA: Pyyhi lika pois linssistä kuivalla liinalla. Varo naarmuttamasta linssiä, ettei valoteho laske.

Pyörimissuunnan vaihtokytkimen toiminta

► **Kuva5:** 1. Pyörimissuunnan vaihtokytkimen vipu

▲HUOMIO: Tarkista aina pyörimissuunta ennen käyttöä.

▲HUOMIO: Käytä pyörimissuunnan vaihtokytkintä vasta sen jälkeen, kun kone on lakannut kokonaan pyörimästä. Pyörimissuunnan vaihto koneen vielä pyöriessä voi vahingoittaa sitä.

▲HUOMIO: Aina kun konetta ei käytetä, käännä pyörimissuunnan vaihtokytkin keskiasentoon.

Työkälussa on pyörimissuunnan vaihtokytkin. Jos haluat koneen pyöriävän myötäpäivään, paina vaihtokytkintä A-puolelta ja jos vastapäivään, paina sitä B-puolelta.

Jos pyörimissuunnan vaihtokytkin on keskiasennossa, liipaisinkytkin lukittuu.

Nopeuden muuttaminen

► **Kuva6:** 1. Nopeudenvaihtovipu

▲HUOMIO: Siirrä nopeudenvaihtokytkin aina täysin oikeaan asentoon. Jos käytät työkalua niin, että nopeudenvaihtovipu on asentojen "1" ja "2" puolivälissä, työkalu voi rikkoutua.

▲HUOMIO: Älä koske nopeudenvaihtovipuun, kun työkalu on käynnissä. Työkalu voi rikkoutua.

Nopeuden-vaihtovivun asento	Nopeus	Vääntömomentti	Soveltuva käyttö
1	Matala	Korkea	Raskas kuormituskäyttö
2	Korkea	Matala	Kevyt kuormituskäyttö

Kun haluat muuttaa nopeutta, katkaise ensin työkalusta virta. Valitse puoli "2" suurelle nopeudelle tai "1" alhaiselle nopeudelle mutta suurelle vääntömomentille. Varmista ennen käyttöä, että nopeudenvaihtovipu on halutussa asennossa.

Jos työkalun nopeus pienenee huomattavasti, kun sitä käytetään asennossa "2", siirrä vipu asentoon "1" ja aloita käyttö uudelleen.

Kiinnitysvääntömomentin säätäminen

► **Kuva8:** 1. Toimintatilan valitsinrenkas
2. Säätörengas 3. Asteikko 4. Nuoli

Kiinnitysvääntömomenttia voi säätää 20 tasoon säätörengasta kiertämällä. Kierrä haluamasi asetus työkalun rungossa olevan nuolen kohdalle. Saat pienimmän kiinnitysvääntömomentin käyttäessäsi asetusta 1 ja suurinta vääntömomenttiasetusta 20.

Ennen varsinaista käyttöä, aja koeruuvi materiaaliin tai kaksinkertaiseen materiaalipalaseen määrittääksesi, mikä momenttitaso on sopiva kyseiseen käyttötarkoitukseen. Seuraavassa on esitetty poranterän koon ja momenttiasteuksen välinen arvioitu suhde.

Asteikko		1	2	3	4	5	6	7	8	9	10	11	12	13	14	15	16	17	18	19	20
Koneruuvi		M4								M5						M6					
Puuruuvi	Pehmeä puu (esim. mänty)	–										φ3,5 x 22				φ4,1 x 38					
	Kova puu (esim. lauan)	–										φ3,5 x 22				–					
		–										φ4,1 x 38									

Toiminnon valitseminen

▲HUOMIO: Käännä rengas aina halutun toiminnon kohdalle. Jos käytät työkalua niin, että renkaan asento on kahden toiminnon merkin puolivälissä, työkalu voi vaurioitua.

▲HUOMIO: Kun toiminnon valitsinrenkas käännetään "☺"-asennosta muihin asentoihin, se ei ehkä liiku helposti. Käynnistä siinä tapauksessa työkalu hetkeksi "☺"-asennossa, pysäytä sitten työkalu ja kierrä valitsinrenkas haluamaasi asentoon.

► **Kuva7:** 1. Toimintatilan valitsinrenkas
2. Säätörengas 3. Asteikko 4. Nuoli

Tässä työkalussa on kolme toimintoa.

- ☺ Poraustila (vain pyörivä liike)
- ☺ Iskuperakone (pyörivä liike ja isku)
- ☺ Ruuvaustila (pyörivä liike ja kytkin)

Valitse kulloiseenkin työhön sopiva toiminto. Käännä toiminnon valitsinrenkasta siten, että haluamasi toiminnon merkki on työkalun rungossa olevan nuolen kohdalla.

KOKOONPANO

⚠HUOMIO: Varmista aina ennen mitään työkalulle tehtäviä toimenpiteitä, että se on sammutettu ja akku irrotettu.

Ruuvauskärjen/poranterän asentaminen tai irrottaminen

Lisävaruste

► **Kuva9:** 1. Holkki 2. Kiinni 3. Auki

Avaa istukan leuat kääntämällä holkkia vastapäivään. Työnnä ruuvauskärki/poranterä niin syvälle istukkaan kuin se menee. Kiristä istukan leuat kääntämällä holkkia myötäpäivään. Irrota ruuvauskärki/poranterä kääntämällä holkkia vastapäivään.

Koukun asentaminen

⚠HUOMIO: Kun asennat koukun, kiristä se aina kiinni ruuvilla. Muutoin koukku voi irrota laitteesta ja aiheuttaa henkilövamman.

► **Kuva10:** 1. Ura 2. Koukku 3. Ruuvi

Työkalu voidaan kätevästi ripustaa väliaikaisesti koukkuun. Tämä voidaan asentaa kummalle puolelle työkalua tahansa. Asenna koukku työntämällä se työkalun rungon uraan jommallekummalle puolelle ja varmista kiinnitys ruuvilla. Voit irrottaa koukun löysäämällä ja irrottamalla ruuvin.

Ruuvauskärjen asennus

Lisävaruste

► **Kuva11:** 1. Ruuvauskärjen pidin 2. Ruuvauskärki

Aseta ruuvauskärjen pidin työkalun jalassa olevaan ulkonemaan joko vasemmalle tai oikealle puolelle ja kiinnitä se paikalleen ruuvilla. Kun ruuvauskärkeä ei käytetä, säilytä sitä ruuvauskärjen pitimissä. Siinä voidaan säilyttää 45 mm:n pituisia ruuvauskärkiä.

TYÖSKENTELY

⚠HUOMIO: Työnnä akkupaketti pohjaan asti, niin että se napsahtaa paikoilleen. Jos painikkeen yläpuolella näkyy punainen ilmaisim, akku ei ole lukkiutunut täysin paikoilleen. Työnnä se pohjaan asti, niin että punaista ilmaisinta ei enää näy. Jos akku ei ole kunnolla paikallaan, se voi pudota työkalusta ja aiheuttaa vammoja joko sinulle tai sivullisille.

⚠HUOMIO: Kun työkalun nopeus pienenee huomattavasti, vähennä työkalun kuormitusta tai pysäytä työkalu, jotta se ei vaurioidu.


Pida työkalusta lujasti kiinni siten, että pidät kahvasta yhdellä kädellä ja akun pohjasta toisella kädellä pyörimistoiminnan hallitsemiseksi.

► **Kuva12**

Ruuvaaminen

⚠HUOMIO: Säädä kiristysmomentti sopivaksi säätörengas avulla.


⚠HUOMIO: Varmista, että ruuvauskärjen pää on suorassa kulmassa ruuvin kantaan nähden; muuten ruuvi ja/tai ruuvauskärki voivat vahingoittua.

Käännä ensin toiminnon valitsinrengasta niin, että työkalun vaipan nuoli osoittaa  -merkkiä. Aseta ruuvauskärjen pää ruuvin kantaan ja painaärkeä ruuvia vasten. Käynnistä työkalu varovasti ja lisää nopeutta asteittain. Vapauta liipaisinkytkin heti, kun kytkin alkaa ottaa.

HUOMAA: Kun kiinnität puuruuveja, tee ensin aloitusreikä, jonka halkaisija on 2/3 reiän halkaisijasta. Se helpottaa ruuvaamista ja vähentää työkappaleen halkeamisen vaaraa.

Iskuporatoiminta

⚠HUOMIO: Työkaluun/terään kohdistuu valtava voima, kun terä menee työkappaleen läpi, kun reikä tukkeutuu lastuista ja purusta tai kun terä osuu betonirauδοitukseen.

Käännä ensin toiminnon valitsinrengasta niin, että työkalun vaipan nuoli osoittaa  -merkkiä. Säätörengas voidaan tällöin asettaa mille tahansa kiristysmomentille. Muista käyttää volframikarbidikärjellä varustettua poranterää. Aseta poranterä haluttuun kohtaan ja vedä liipaisinkytkintä. Älä käytä tarpeetonta voimaa. Kevyt paine takaa parhaan lopputuloksen. Pidä työkalu paikallaan ja estä sen liukumista pois aukosta. Jos reikä tukkeutuu lastuista ja purusta, älä käytä lisävoimaa. Anna sen sijaan työkalun käydä joutokäynnillä ja vedä terä osittain ulos reistä. Toista tämä useampana kertaan, jolloin reikä puhdistuu ja voit jatkaa poraamista.


Puhallin

Lisävaruste

► **Kuva13:** 1. Puhallin

Porausken jälkeen puhdistaa pöly reistä puhalltimella.

Poraustoiminta

Käännä ensin säätörengasta niin, että nuoli osoittaa  -merkkiä. Tee sitten näin.

Puun poraaminen

Puuta porattaessa paras lopputulos saadaan ohjausruuvilla varustetuilla puuterillä. Ohjausruuvi helpottaa poraamista vetämällä poranterää työkappaleeseen.

Metallin poraaminen

Poranterän syrjään luiskahtamisen ehkäisemiseksi porausken alussa, tee ensin porauskohtaan pieni kolo punssilla ja vasaralla. Aseta poran kärki koloon ja aloita poraaminen. Käytä metallia poratessasi leikkuöljyä. Poikkeuksena ovat rauta ja messinki, joita tulee porata kuivana.

⚠HUOMIO: Työkalan painaminen liian voimakkaasti ei nopeuta poraamista. Päinvastoin liiallinen paine vain tylystyyttää poranteraä, hidastaa työtä ja lyhentää työkalun käyttöikää.

⚠HUOMIO: Pidä työkalu tukevassa otteessa ja ole varovainen, kun terä alkaa porautua läpi työkappaleesta. Työkaluun/terään kohdistuu valtava voima, kun terä porautuu läpi.

⚠HUOMIO: Juuttuneen terän voi irrottaa vaihtamalla terän pyörimissuuntaa ja peruuttaa. Pidä kuitenkin työkalusta lujasti kiinni, sillä se voi tökätä taaksepäin äkkiin äkkiin.

⚠HUOMIO: Kiinnitä työkappaleet aina viilapenkkiin tai vastaavaan pidikkeeseen.

⚠HUOMIO: Jos työkalua käytetään jatkuvasti niin pitkään, että akku tyhjenee, anna työkalun seistä 15 minuuttia ennen kuin jatkat työskentelyä uudella akulla.

Työkalan käyttäminen käsi-ruuvimeisselinä

► Kuva14

Kytke työkalu pois päältä.

Siirrä suunnanvaihtokytkimen vipu vapaa-asentoon.

Käännä tilansäätörengasta niin, että nuoli osoittaa

☞ -merkin.

Käännä työkalu päälle.

HUOMAA: Tämän käyttö on käytännöllinen ruuvi-meisselin käytön tarkastamiseksi.

HUOMAA: Älä käytä työkalua suurta voimaa vaativiin töihin, kuten pulttien kiristämiseen tai ruostuneiden ruuvien irrottamiseen.

Kotelon käyttäminen

Lisävaruste

⚠HUOMIO: Kun käytät koteloa, poista ruuvauskärki/porantera työkalusta.

⚠HUOMIO: Sammuta työkalu ja varmista, että se on täysin pysähtynyt, ennen kuin asetat sen koteloon.

Varmista, että suljet kotelon tiukasti siten, että työkalu pysyy siinä tukevasti.

1. Pujota vyö tai muu vastaava kotelon lenkin lävitse.

► **Kuva15:** 1. Kotelon pidike 2. Vyötärövyö

2. Aseta työkalu koteloon ja lukitse se paikalleen kotelon painonapin avulla.

► **Kuva16**

► **Kuva17**

Voit säilyttää kahta kärkipalaa kotelon etupuolella.

KUNNOSSAPITO

⚠HUOMIO: Varmista aina ennen tarkastusta tai huoltoa, että työkalu on sammutettu ja akku irrotettu.

HUOMAUTUS: Älä koskaan käytä bensiiniä, ohenteita, alkoholia tai tms. aineita. Muutoin pinta voi halkeilla tai sen värit ja muoto voivat muuttua. Muutoin laitteeseen voi tulla värjäytyksiä, muodon vääristymiä tai halkeamia.

Tuotteen TURVALLISUUDEN ja LUOTETTAVUUDEN takaamiseksi korjaukset, muut huoltotyöt ja säädöt on teetettävä Makitan valtuutetussa huoltopisteessä Makitan varaosia käyttäen.

LISÄVARUSTEET

⚠HUOMIO: Seuraavia lisävarusteita tai laitteita suositellaan käytettäväksi tässä ohjeessa kuvatun Makita-työkalun kanssa. Muiden lisävarusteiden tai laitteiden käyttö voi aiheuttaa henkilövahinkoja. Käytä lisävarusteita ja -laitteita vain niiden käyttötarkoituksen mukaisesti.

Jos tarvitset apua tai yksityiskohtaisempia tietoja seuraavista lisävarusteista, ota yhteys paikalliseen Makitan huoltoon.

- Porantera
- Ruuvauskärjet
- Hylsykärjet
- Volframikarbidisella kärjellä varustettu porantera
- Puhallin
- Ruuvauskärjen pidin
- Koukku
- Kotelo
- Aito Makitan akku ja laturi

HUOMAA: Jotkin luettelossa mainitut varusteet voivat sisältyä työkalun toimitukseen vakiovarusteina. Ne voivat vaihdella maittain.

SPECIFIKĀCIJAS

Modelis:		HP333D
Urbšanas spēja	Mūris	8 mm
	Tērauds	10 mm
	Koks	21 mm
Pievilkšanas spēja	Koka skrūve	5,1 mm × 63 mm
	Nostiprinātājskrūve	M6
Ātrums bez slodzes	Liels (2)	0 - 1 700 min ⁻¹
	Mazs (1)	0 - 450 min ⁻¹
Triecieni minūtē	Liels (2)	0 - 25 500 min ⁻¹
	Mazs (1)	0 - 6 750 min ⁻¹
Kopējais garums		193 mm
Nominālais spriegums		10,8 V - 12 V maks. līdzstrāva
Neto svars		1,1 - 1,3 kg

- Nepārtrauktās izpētes un izstrādes programmas dēļ šeit uzrādītās specifikācijas var tikt mainītas bez brīdinājuma.
- Atkarībā no valsts specifikācijas var atšķirties.
- Svars var būt atšķirīgs atkarībā no papildierīces(-ēm), tostarp akumulatora kasetnes. Tabulā ir attēlota vieglākā un smagākā kombinācija atbilstoši EPTA procedūrai 01/2014.

Piemērotā akumulatora kasetne un lādētājs

Akumulatora kasetne	BL1015 / BL1016 / BL1020B / BL1021B / BL1040B / BL1041B
Lādētājs	DC10SA / DC10SB / DC10WC / DC10WD / DC18RE

- Daži no iepriekš norādītajiem lādētājiem un akumulatora kasetnēm var nebūt pieejami atkarībā no jūsu mītnes reģiona.

▲BRĪDINĀJUMS: Izmantojiet vienīgi iepriekš norādītās akumulatora kasetnes un lādētājus. Cita tipa akumulatora kasetņu un lādētāju izmantošana var radīt traumu un/vai aizdegšanās risku.

Paredzētā lietošana

Šis darbarīks ir paredzēts triecienurbšanai kļieģeļos, kļieģeļu sienā un mūra sienā. Tas ir piemērots arī parastai skrūvēšanai un urbšanai kokā, metālā, keramikā un plastmasā.

Trokšņa līmenis

Tipiskais A svērtais trokšņa līmenis noteikts saskaņā ar EN60745-2-1:

Skaņas spiediena līmeni (L_{pA}): 82 dB (A)

Skaņas jaudas līmeni (L_{WA}): 93 dB (A)

Mainīgums (K): 3 dB (A)

▲BRĪDINĀJUMS: Lietojiet ausu aizsargus.

Vibrācija

Vibrācijas kopējā vērtība (trīsasu vektora summa) noteikta atbilstoši EN60745-2-1:

Darba režīms: triecienurbšana betonā

Vibrācijas izmete ($a_{h,10}$): 13,0 m/s²

Mainīgums (K): 1,5 m/s²

Darba režīms: urbšana metālā

Vibrācijas izmete ($a_{h,D}$): 2,5 m/s² vai mazāk

Mainīgums (K): 1,5 m/s²

PIEZĪME: Paziņotā vibrācijas emisijas vērtība noteikta atbilstoši standarta pārbaudes metodei un to var izmantot, lai salīdzinātu vienu darbarīku ar citu.

PIEZĪME: Paziņoto vibrācijas emisijas vērtību arī var izmantot iedarbības sākotnējā novērtējumā.

▲BRĪDINĀJUMS: Reāli lietojot elektrisko darbarīku, vibrācijas emisija var atšķirties no paziņotās emisijas vērtības atkarībā no darbarīka izmantošanas veida.

▲BRĪDINĀJUMS: Lai aizsargātu lietotāju, nosakiet drošības pasākumus, kas pamatoti ar iedarbību reālos darba apstākļos (ņemot vērā visus ekspluatācijas cikla posmus, piemēram, laiku, kamēr darbarīks ir izslēgts un kad darbojas tukšgaitā, kā arī palaides laiku).

EK atbilstības deklarācija

Tikai Eiropas valstīm

EK atbilstības deklarācija šajā lietošanas rokasgrāmatā ir iekļauta kā A pielikums.

DROŠĪBAS BRĪDINĀJUMI

Vispārīgi elektrisko darbarīku drošības brīdinājumi

▲BRĪDINĀJUMS: Izlasiet visus drošības brīdinājumus, instrukcijas, apskatiet ilustrācijas un tehniskos datus, kas iekļauti mehānizētā darbarīka komplektācijā. Ja netiek ievēroti visi tālāk minētie noteikumi, var tikt izraisīta elektrotrauma, notikt aizdegšanās un/vai rasties smagas traumas.

Glabājiet visus brīdinājumus un norādījumus, lai varētu tajos ieskatīties turpmāk.

Termins „elektrisks darbarīks” brīdinājumos attiecas uz tādu elektrisko darbarīku, ko darbina ar elektrību (ar vadu), vai tādu, ko darbina ar akumulatoru (bez vada).

Drošības brīdinājumi bezvada triecienuburbmašīnas lietošanai

1. Veicot triecienuburbšanu, lietojiet ausu aizsargus. Troksnis var izraisīt dzirdes zudumu.
2. Izmantojiet ar darbarīku piegādātos papildu rokturus. Zaudējot kontroli, var tikt gūtas traumas.
3. Strādājot turiet elektrisko darbarīku aiz izolētajām satveršanas virsmām, ja griešanas darbarīks varētu saskarties ar neredzamu elektroinstalāciju. Griežinstrumentam saskaroties ar vadu, kurā ir spriegums, spriegums var tikt pārņemts uz elektriskā darbarīka metāla daļām, un, iespējams, radīt operatoram elektrotraumu.
4. Veicot darbu, turiet elektrisko darbarīku aiz izolētajām satveršanas virsmām, ja stiprinājums varētu saskarties ar paslēptu elektroinstalāciju. Stiprinājumiem saskaroties ar vadu, kurā ir spriegums, elektriskā darbarīka ārējās metāla virsmas var vadīt strāvu un radīt lietotājam elektrotraumu.
5. Vienmēr nodrošiniet stabilu pamatu kājām. Ja lietojat darbarīku, strādājot lielā augstumā virs zemes, pārliecinieties, ka apakšā neviena nav.
6. Darbarīku turiet cieši.
7. Turiet rokas tālu no rotējošām daļām.
8. Neatstājiet darbarīku ieslēgtu. Darbiniet darbarīku vienīgi tad, ja turat to rokās.
9. Neskariet uzgali vai apstrādāto detaļu tūlīt pēc darba veikšanas; tie var būt ļoti karsti un var apdedzināt ādu.
10. Daži materiāli satur ķīmiskas vielas, kuras var būt toksiskas. Izvairieties no putekļu ieelpošanas un to nokļūšanas uz ādas. Ievērojiet materiāla piegādātāja drošības datus.
11. Ja urbjia uzgali nav iespējams atbrīvot arī tad, ja tiek atvērta spīles, izvelciet to ārā ar knaibēm. Ja šādā situācijā vilksiet ārā urbjia uzgali ar roku, varat savainoties ar tā asajām malām.

SAGLABĀJIET ŠOS NORĀDĪJUMUS.

▲BRĪDINĀJUMS: NEPIELĀUJIET to, ka labu iemaņu vai izstrādājuma labas pārzināšanas (darbarīku atkārtoti ekspluatējot) rezultātā vairs stingri neievērojāt šī izstrādājuma drošības noteikumus. NEPAREIZI LIETOJOT darbarīku vai neievērojot šajā instrukcijā rokasgrāmatā minētos drošības noteikumus, var tikt gūtas smagas traumas.

Svarīgi drošības norādījumi par akumulatora kasetni

1. Pirms akumulatora lietošanas izlasiet visus norādījumus un brīdinājumus, kuri attiecas uz (1) akumulatora lādētāju, (2) akumulatoru un (3) ierīci, kurā tiek izmantots akumulators.
2. Neizjauciet akumulatoru.
3. Ja akumulatora darbības laiks kļūva ievērojami īsāks, nekavējoties pārtrauciet to izmantot. Citādi, tas var izraisīt pārkarsējumu, uzliesmojumu vai pat sprādzienu.
4. Ja elektrolīts nonāk acīs, izskalojiet tās ar tīru ūdens un nekavējoties griezieties pie ārsta. Tas var izraisīt redzes zaudēšanu.
5. Neradiet īssavienojumu akumulatora kasetnē:
 - (1) Nepieskarieties spailēm ar elektrību vadošiem materiāliem.
 - (2) Neuzglabājiet akumulatoru kasetni kopā ar citiem metāla priekšmetiem, tādiem kā naglas, monētas u. c.
 - (3) Nepakļaujiet akumulatora kasetni ūdens vai lietus iedarbībai.

Akumulatora īssavienojums var radīt spēcīgu strāvas plūsmu, pārkarsāšanu, uzliesmojumu un pat sabojāt akumulatoru.

6. Neglabājiet darbarīku un akumulatora kasetni vietās, kur temperatūra var sasniegt vai pārsniegt 50 °C (122 °F).
7. Nededziniet akumulatora kasetni, pat ja tā ir stipri bojāta vai pilnībā nolietota. Akumulatora kasetne uguni var eksplodēt.
8. Uzmanieties, lai neļautu akumulatoram nokrist un nepakļautu to sitienam.
9. Neizmantojiet bojātu akumulatoru.
10. Uz izmantotajiem litiņa jonu akumulatoriem attiecas likumdošanas prasības par bīstamiem izstrādājumiem.

Komerčiālā transportēšanā, ko veic, piemēram, trešās puses, transporta uzņēmumi, jāievēro uz iesaiņojuma un marķējuma norādītās īpašās prasības. Lai izstrādājumu sagatavotu nosūtīšanai, jāsažinās ar bīstamo materiālu speciālistu. Ievērojiet arī citus attiecīgos valsts normatīvus. Vaļējus kontaktus nesadedziet ar filimenti vai citādi pārklājiet, bet akumulatoru iesaiņojiet tā, lai sainītas nevarētu izkustēties.
11. Ievērojiet vietējos noteikumus par akumulatora likvidēšanu.
12. Izmantojiet šos akumulatorus tikai ar izstrādājumiem, kurus norādījis Makita. Ievietojot šos akumulatorus nesaderīgos izstrādājumos, var rasties ugunsgrēks, pārmērīgs karstums, tie var uzsprāgt vai no tiem var iztecoēt elektrolīts.

SAGLABĀJIET ŠOS NORĀDĪJUMUS.

▲UZMANĪBU: Lietojiet tikai oriģinālos Makita akumulatorus. Ja lietojat neoriģinālus Makita akumulatorus vai pārveidotus akumulatorus, tie var uzsprāgt un izraisīt aizdegšanos, traumas un materiālos zaudējumus. Tikas anulēta arī Makita darbarīka un lādētāja garantija.

Ieteikumi akumulatora kalpošanas laika pagarināšanai

1. Uzlādējiet akumulatora kasetni, pirms tā ir pilnībā izlādējusies. Vienmēr, kad ievērojat, ka darbarīka darba jauda zudusi, apturiet darbarīku un uzlādējiet akumulatora kasetni.
2. Nekad neuzlādējiet pilnībā uzlādētu akumulatora kasetni. Pārmērīga uzlāde saīsina akumulatora kalpošanas laiku.
3. Uzlādējiet akumulatora kasetni istabas temperatūrā 10 °C - 40 °C. Karstai akumulatora kasetnei pirms uzlādes ļaujiet atdzist.

FUNKCIJU APRAKSTS

⚠UZMANĪBU: Pirms darbarīka regulēšanas vai tā darbības pārbaudes vienmēr pārliecinieties, ka darbarīks ir izslēgts un akumulatora kasetne ir izņemta.

Akumulatora kasetnes uzstādīšana un izņemšana

⚠UZMANĪBU: Vienmēr pirms akumulatora kasetnes uzstādīšanas vai noņemšanas izslēdziet darbarīku.

⚠UZMANĪBU: Uzstādot vai izņemot akumulatora kasetni, darbarīku un akumulatora kasetni turiet cieši. Ja darbarīku un akumulatora kasetni netur cieši, tie var izkrist no rokām un radīt bojājumus darbarīkam un akumulatora kasetnei, kā arī izraisīt ievainojumus.

- **Att.1:** 1. Sarkanās krāsas indikators 2. Poga 3. Akumulatora kasetne

Lai izņemtu akumulatora kasetni, izvelciet to no darbarīka, pārbidot kasetnes priekšpusē esošo pogu.

Lai uzstādītu akumulatora kasetni, salāgojiet mēlīti uz akumulatora kasetnes ar rievu ietvarā un iebīdīet to vietā. Ievietojiet to līdz galam, līdz tā ar klikšķi nofiksējas. Ja pogas augšējā daļā redzams sarkanās krāsas indikators, tas nozīmē, ka tā nav pilnīgi fiksēta.

⚠UZMANĪBU: Vienmēr ievietojiet akumulatora kasetni tā, lai sarkanais indikators nebūtu redzams. Pretējā gadījumā tā var nejauši izkrist no darbarīka un izraisīt jums vai apkārtnējiem traumas.

⚠UZMANĪBU: Neievietojiet akumulatora kasetni ar spēku. Ja kasetne neslīd ietvarā viegli, tā nav pareizi ielikta.

Akumulatora aizsardzības sistēma

Darbarīks ir aprīkots ar akumulatora aizsardzības sistēmu. Šī sistēma automātiski izslēdz jaudas padevi motoram, lai pagarinātu akumulatora kalpošanas laiku. Darbarīks automātiski pārstās darboties ekspluatācijas laikā, ja darbarīku un/vai akumulatoru pakļaus kādam no tālāk minētajiem apstākļiem:

Pārslodze:

Darbarīku ekspluatācijas laikā lieto tādā veidā, ka tas saista pārmērīgu strāvu.

Šādā gadījumā izslēdziet darbarīku un pārtrauciet darbarīka pārslodzi izraisījušo darbu. Tad ieslēdziet darbarīku, lai atsāktu darbu. Ja darbarīks neieslēdzas, akumulators ir pārkarsis. Šādā gadījumā ļaujiet akumulatoram atdzist pirms atkārtotas darbarīka ieslēgšanas.

Zema akumulatora jauda:

Akumulatora uzlādes līmenis ir pārāk zems, un darbarīks nedarbosies. Ja ieslēgts darbarīku, motors vēlreiz sāks darboties, taču drīz apstāsies. Šādā gadījumā noņemiet akumulatoru un uzlādējiet.

Atlikušās akumulatora jaudas indikators

Tikai akumulatora kasetnēm ar indikatoru

- **Att.2:** 1. Indikatora lampas 2. Pārbaudes poga

Nospiediet akumulatora kasetnes pārbaudes pogu, lai pārbaudītu akumulatora atlikušo uzlādes līmeni. Indikatori iedegsies uz dažām sekundēm.

Indikatora lampas		Atlikusī jauda
Iledzies	Izslēgts	
		No 75% līdz 100%
		No 50% līdz 75%
		No 25% līdz 50%
		No 0% līdz 25%

PIEZĪME: Reālā jauda var nedaudz atšķirties no norādītās atkarībā no lietošanas apstākļiem un apkārtnējās temperatūras.

Slēdža darbība

- **Att.3:** 1. Slēdža mēlīte

⚠UZMANĪBU: Pirms akumulatora kasetnes uzstādīšanas darbarīkā vienmēr pārbaudiet, vai slēdža mēlīte darbojas pareizi un pēc atlaišanas atgriežas stāvoklī „OFF” (izslēgts).

Lai ieslēgtu darbarīku, pavelciet slēdža mēlīti. Darbarīka ātrums palielinās, palielinoties spiedienam uz slēdža mēlīti. Lai darbarīku apturētu, atlaidiet slēdža mēlīti.

Priekšējās lampas ieslēgšana

- **Att.4:** 1. Lampa

⚠UZMANĪBU: Neskatieties gaismā, neļaujiet tās avotam iespīdēt acīs.

Pavelciet slēdža mēlīti, lai ieslēgtu lampu. Kamēr slēdža mēlīte ir nospiesta, lampa ir ieslēgta. Apmēram 10 sekundes pēc slēdža mēlītes atlaišanas lampa izslēdzas.

PIEZĪME: Ar sausu lupatiņu notīriet netīrumus no lampas lēcas. Izvairieties saskrāpēt lampas lēcu, jo tādējādi tiek samazināts apgaismojums.

Griešanās virziena pārslēdzēja darbība

► **Att.5:** 1. Griešanās virziena pārslēdzēja svira

⚠UZMANĪBU: Pirms sākat strādāt, vienmēr pārbaudiet griešanās virzienu.

⚠UZMANĪBU: Izmantojiet griešanās virziena pārslēdzēju tikai pēc darbarīka pilnīgas apstāšanās. Griešanās virziena maiņa pirms darbarīka pilnīgas apstāšanās var to sabojāt.

⚠UZMANĪBU: Kamēr darbarīks netiek izmantots, vienmēr uzstādiat griešanās virziena pārslēdzēja sviru neitrālajā stāvoklī.

Šis darbarīks ir aprīkots ar pārslēdzēju, kas ļauj mainīt griešanās virzienu. Nospiediet griešanās virziena pārslēdzēja sviru no „A” puses rotācijai pulksteņrādītāju kustības virzienā vai no „B” puses rotācijai pretēji pulksteņrādītāju kustības virzienam.

Ja griešanās virziena pārslēdzēja svira atrodas neitrālajā stāvoklī, slēdža mēlīti nevar nospiegt.

Ātruma regulēšana

► **Att.6:** 1. Ātruma regulēšanas svira

⚠UZMANĪBU: Ātruma regulēšanas sviru vienmēr stingri iestatiet pareizajā stāvoklī. Ja jūs darbināt darbarīku ar ātruma regulēšanas sviru, izvietotu starp stāvokļiem „1” un „2”, tas var sabojāt darbarīku.

⚠UZMANĪBU: Nelietojiet ātruma regulēšanas sviru, kamēr darbarīks darbojas. Tas var sabojāt darbarīku.

Ātruma regulēšanas sviras stāvoklis	Ātrums	Griezes moments	Lietojuma iespējas
1	Mazs	Liels	Lielas noslodzes režīms
2	Liels	Mazs	Nelielas noslodzes režīms

Stiprinājuma griezes momenta regulēšana

► **Att.8:** 1. Darbības režīma maiņas gredzens
2. Regulēšanas gredzens 3. Iedaļas 4. Bultiņa

Stiprinājuma griezes momentam var iestatīt kādu no 20 līmeņa, pagriežot regulēšanas gredzenu. Savietojiet iedaļas ar bultiņu uz darbarīka korpusa. Minimālais stiprinājuma griezes moments ir stāvoklī 1, un maksimālais stiprinājuma griezes moments ir stāvoklī 20.

Pirms darba sākšanas ieskrūvējiet apstrādājamajā detaļā vai identiskā materiālā pārbaudes skrūvi, lai noteiktu, kāds griezes momenta līmenis ir piemērots attiecīgajam gadījumam. Tabulā sniegti norādījumi aptuvenai attiecībai starp skrūves izmēriem un iedaļām.

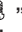

Iedaļas	1	2	3	4	5	6	7	8	9	10	11	12	13	14	15	16	17	18	19	20
Nostiprinātājskrūve	M4								M5								M6			
Koka skrūve	-								φ3,5 × 22				φ4,1 × 38							
Miksts koks (piemēram, priede)	-								φ3,5 × 22				-							
Ciets koks (piemēram, lauans)	-								-				φ4,1 × 38							

Lai mainītu ātrumu, vispirms izslēdziet darbarīku. Izvēlieties „2” lielam ātrumam vai „1” mazam ātrumam un lielam griezes momentam. Pirms darba uzsākšanas pārliecinieties, vai ātruma regulēšanas svira ir uzstādīta pareizā stāvoklī.

Ja ekspluatācijas laikā stāvoklī „2” ātrums ievērojami samazinās, pavirziet sviru stāvoklī „1” un atsāciet ekspluatāciju.




Darba režīma izvēle

⚠UZMANĪBU: Vienmēr darba režīma maiņas gredzenu uzstādiat vēlamajā stāvoklī pareizi. Ja darbarīks tiks darbināts, gredzenam atrodoties starp režīma zīmēm, tas var sabojāties.

⚠UZMANĪBU: Mainot stāvokli no „ ” uz citiem režīmiem, var būt grūti pārbīdīt darba režīma maiņas gredzenu. Šajā gadījumā ieslēdziet darbarīku un darbiniet to vienu sekundi stāvoklī „ ”, tad apturiet darbarīku un pārbīdiet gredzenu vajadzīgajā stāvoklī.

► **Att.7:** 1. Darbības režīma maiņas gredzens
2. Regulēšanas gredzens 3. Iedaļas
4. Bultiņa

Darbarīkam ir trīs darba režīmi.

-  Urbja režīms (tikai rotācija)
-  Triecienuurbja režīms (rotācija ar triecienu)
-  Skrūvgrieža režīms (rotācija ar satvērienu)

Izvēlieties veicamajam darbam atbilstošu režīmu.

Pagrieziet darba režīma maiņas gredzenu un savietojiet izvēlēto zīmi ar bultiņu uz darbarīka korpusa.

MONTĀŽA

⚠UZMANĪBU: Pirms darbarīka regulēšanas vai apkopes vienmēr pārlicinieties, ka darbarīks ir izslēgts un akumulatora kasetne ir izņemta.

Skrūvgrieža uzgaļa/urbja uzgaļa uzstādīšana vai noņemšana

Papildu piederumi

► **Att.9:** 1. Uzmava 2. Aizvērt 3. Atvērt

Pagrieziet uzmavu pretēji pulksteņrādītāju kustības virzienam, lai atvērtu spīļpatronas spiles. Ievietojiet skrūvgrieža uzgali/urbja uzgali spīļpatronā līdz galam. Pagrieziet uzmavu pulksteņrādītāju kustības virzienā, lai pievilktu spīļpatronu. Lai izņemtu skrūvgrieža uzgali/urbja uzgali, pagrieziet uzmavu pretēji pulksteņrādītāju kustības virzienam.

Āķa uzstādīšana

⚠UZMANĪBU: Uzstādot āķi, vienmēr cieši pietipriniet to ar skrūvi. Citādi āķis var atdalīties no darbarīka, izraisot traumu.

► **Att.10:** 1. Rieva 2. Āķis 3. Skrūve

Āķis ir noderīgs, ja darbarīks uz kādu laiku ir jāpakar. To var uzstādīt jebkurā darbarīka pusē. Lai uzstādītu āķi, ievietojiet to rievā jebkurā darbarīka korpusa pusē, un tad ar skrūvi pieskrūvējiet. Lai to izņemtu, atļaidiet skrūvi un izņemiet.

Skrūvgrieža uzgaļa turētāja uzstādīšana

Papildu piederumi

► **Att.11:** 1. Skrūvgrieža uzgaļa turētājs
2. Skrūvgrieža uzgalis

Uzlieciet skrūvgrieža uzgaļa turētāju uz darbarīka pamatnes izciļņa labajā vai kreisajā pusē un pieskrūvējiet to ar skrūvi.

Ja neizmantojat skrūvgrieža uzgali, ievietojiet to uzgaļa turētājā. Tur var glabāt 45 mm garus skrūvgrieža uzgalus.

EKSPLUATĀCIJA

⚠UZMANĪBU: Vienmēr ievietojiet akumulatoru kasetni līdz galam, līdz tā nofiksējas. Ja pogas augšējā daļā redzams sarkanas krāsas indikators, tas nozīmē, ka tā nav pilnīgi fiksēta. Iebīdīet to tā, lai sarkanais indikators nebūtu redzams. Pretējā gadījumā akumulators var nejauši izkrist no darbarīka un radīt jums vai apkārtējiem traumas.

⚠UZMANĪBU: Ja ātrums ievērojami pazeminās, samaziniet slodzi vai apturiet darbarīku, lai nepieļautu darbarīka bojājumus.


Lai regulētu grozīšanas darbību, turiet darbarīku cieši, ar vienu roku satverot rokturi, bet ar otru turot akumulatora kasetnes apakšpusi.

► **Att.12**

Skrūvgrieža darba režīms

⚠UZMANĪBU: Ar regulēšanas gredzena palīdzību uzstādiet veicamam darbam atbilstošu griezes momenta līmeni.


⚠UZMANĪBU: Pārlicinieties, ka skrūvgrieža uzgalis ir taisni ievietots skrūves galviņā, pretējā gadījumā skrūve un/vai skrūvgrieža uzgalis var tikt bojāts.

Vispirms pagrieziet darba režīma maiņas gredzenu, lai bultiņa uz darbarīka korpusa rādītu uz atzīmi . Novietojiet skrūvgrieža uzgaļa galu skrūves galviņā un uzspiediet uz darbarīka. Ieslēdziet darbarīku nelielā ātrumā un tad pakāpeniski ātrumu palieliniet. Atļaidiet slēdža mēlīti tikko ietverie iegriežas iekšā.

PIEZĪME: Skrūvējot koka skrūvi, sākumā izurbiet palīgcaurumu, kura izmērs ir 2/3 no skrūves diametra. Tādējādi skrūvēšana būs vieglāka un apstrādājamā detaļa nesadalīsies.

Triecienurbšana

⚠UZMANĪBU: Cauruma izlaušanas brīdī, kad caurums nosprostojas ar skaidām un materiāla daļiņām, vai trāpot armatūras stieni betonā, uz darbarīku un uzgali iedarbojas ārkārtīgi liels, pēkšņs vērpes spēks.

Vispirms pagrieziet darba režīma maiņas gredzenu, lai bultiņa uz darbarīka korpusa rādītu uz atzīmi . Veicot šo darbību, regulēšanas gredzenu var iestatīt jebkurā griezes momenta līmenī.

Noteikti izmantojiet ar volframa karbīdu stiegrotu urbja uzgali.

Novietojiet urbja uzgali caurumam vajadzīgajā vietā, pēc tam nospiediet slēdža mēlīti. Nelietojiet darbarīku ar spēku. Labāko rezultātu iespējams panākt ar vieglu spiedienu. Saglabājiet darbarīku šādā stāvoklī un nepieļaujiet tā novirzīšanos no cauruma. Ja caurums nosprostojas ar skaidām vai materiāla daļiņām, nespiediet darbarīku spēcīgāk. Tā vietā darbiniet darbarīku tukšgaitā, tad daļēji izvelciet urbja uzgali no cauruma. Veicot šo darbību vairākkārt, caurums tiks iztīrīts, un varēsiet atsākt parasto urbšanu.


Caurpūtes bumbiere

Papildu piederumi

► **Att.13:** 1. Caurpūtes bumbiere

Pēc cauruma izurbšanas izmantojiet caurpūtes bumbieri, lai iztīrītu putekļus no cauruma.

Urbšana

Vispirms pielāgojiet regulēšanas gredzenu tā, lai bultiņa rādītu uz atzīmi . Tad rīkojieties, kā norādīts tālāk.

Urbšana kokā

Urbjot kokā, vislabākie rezultāti iegūstami ar kokurbja uzgajiem, kuri aprīkoti ar vadskrūvi. Vadskrūve atvieglo urbšanu, virzot urbja uzgali apstrādes detaļā.

Urbšana metālā

Lai novērstu urbja uzgaļa slīdēšanu, sākot urbšanu, vispirms ar punkstīti un āmuru izveidojiet iedobi vietā, kur jāurbj. Novietojiet urbja uzgali iedobē un sāciet urbt. Urbjot metālā, izmantojiet griešanas smērvielu. Izņēmums ir dzelzs un misiņš, kuri jāurbj bez smērvielas.

▲UZMANĪBU: Pārmērīgs spiediens uz darbarīku uršanas ātrumu nepalielinās. Patiesībā pārmērīgs spiediens tikai sabojās urbja uzgali, samazinās darbarīka jaudu un saīsina tā kalpošanas laiku.

▲UZMANĪBU: Stingri turiet darbarīku un īpaši uzmanieties brīdī, kad urbja uzgalis sāk virzīties cauri apstrādājamajam daļai. Cauruma izveides brīdī uz darbarīku un uzgali iedarbojas ļoti liels spēks.

▲UZMANĪBU: Iestrēgušu urbja uzgali var atbrīvot, vienkārši uzstādot griešanās virziena pārslēdzēju pretējā virzienā, lai urbis tiktu virzīts atpakaļ virzienā uz āru. Taču uzmanieties, jo, ja ierīci neturēsiet stingri, tā var strauji virzīties atpakaļ.

▲UZMANĪBU: Nelielas apstrādājamas detaļas vienmēr ievietojiet skrūvspīlēs vai citā stiprinājuma ierīcē.


▲UZMANĪBU: Ja darbarīks tiek darbināts nepārtraukti, līdz akumulatora kasetne ir izlādējusies, pirms turpināt darbu ar jaunu akumulatoru, izslēdziet darbarīku uz 15 minūtēm.

Izmantojot darbarīku kā skrūvgriezi

► Att.14

Izslēdziet darbarīku.

Pārvietojiet griešanās virziena pārslēdzēja sviru neitrālajā stāvoklī.

Pagrieziet darbības režīma regulēšanas gredzenu tā, lai rādītājs rādītu  atzīmi.

Izslēdziet darbarīku.

PIEZĪME: Šī izmantošana ir ērta, lai pārbaudītu skrūvju skrūvēšanu.

PIEZĪME: Neizmantojiet darbarīku darbiem, kuros nepieciešams pārmērīgs spēks, piemēram, skrūvju pievilkšanai vai sarūsējušu skrūvju izņemšanai.

Darbarīka futrāļa lietošana

Papildu piederumi

▲UZMANĪBU: Izmantojot futrāli, izņemiet no darbarīka skrūvgrieža uzgali/urbja uzgali.

▲UZMANĪBU: Izslēdziet darbarīku un gaidiet, līdz tas pilnībā apstājas, pirms to ievietot futrālī. Pārliecinieties, ka darbarīka futrālis ir cieši aiztaisīts ar pogu un darbarīks atrodas fiksētā stāvoklī.

1. Ievietiet jostas siksnu vai līdzīgu siksnu darbarīka futrāļa turētājā.

► **Att.15:** 1. Futrāļa turētājs 2. Jostas siksnā

2. Ievietojiet darbarīku futrālī un aiztaisiet futrāļa pogas.

► **Att.16**

► **Att.17**

Futrāļa priekšpusē var glabāt divus skrūvgrieža uzgaļus.

APKOPE

▲UZMANĪBU: Pirms darbarīka pārbaudes vai apkopes vienmēr pārliecinieties, ka darbarīks ir izslēgts un akumulatora kasetne ir izņemta.

IEVĒRĪBAI: Nekad neizmantojiet gazoliņu, benzīnu, atšķaidītāju, spirtu vai līdzīgus šķīdumus. Tas var radīt izbalēšanu, deformāciju vai plaisas.

Lai saglabātu izstrādājuma DROŠU un UZTICAMU darbību, remontdarbus, apkopi un regulēšanu uzticiet veikt tikai Makita pilnvarotam vai rūpnīcas apkopes centram, un vienmēr izmantojiet tikai Makita rezerves daļas.

PAPILDU PIEDERUMI

▲UZMANĪBU: Šādi piederumi un papildierīces tiek ieteiktas lietošanai ar šajā rokasgrāmatā aprakstīto Makita darbarīku. Izmantojot citus piederumus vai papildierīces, var tikt radīta traumu gūšanas bīstamība. Piederumu vai papildierīci izmantojiet tikai paredzētajam mērķim.

Ja jums vajadzīga palīdzība vai precīzāka informācija par šiem piederumiem, vērsieties savā tuvākajā Makita apkopes centrā.

- Urbja uzgali
- Skrūvgrieža uzgali
- Galatslēgas uzgali
- Volfrāma karbīda urbja uzgalis
- Caurpūtes bumbiere
- Skrūvgrieža uzgaļa turētājs
- Āķis
- Darbarīka futrālis
- Makita oriģinālais akumulators un lādētājs

PIEZĪME: Daži sarakstā norādītie izstrādājumi var būt iekļauti instrumenta komplektācijā kā standarta piederumi. Tie dažādās valstīs var būt atšķirīgi.

SPECIFIKACIJOS

Modelis:		HP333D
Gręžimo pajėgumas	Mūrijimas	8 mm
	Plienas	10 mm
	Medis	21 mm
Fiksavimo pajėgumas	Medvaržtis	5,1 mm x 63 mm
	Mašininis sraigtas	M6
Be apkrovos	Aukštas (2)	0 – 1 700 min ⁻¹
	Žemas (1)	0 – 450 min ⁻¹
Smūgių per minutę	Aukštas (2)	0 – 25 500 min ⁻¹
	Žemas (1)	0 – 6 750 min ⁻¹
Bendrasis ilgis		193 mm
Vardinė įtampa		Nuolatinė srovė 10,8 V – 12 V (daugiausiai)
Grynasis svoris		1,1 – 1,3 kg

- Atliekame tęstinius tyrimus ir nuolatos tobuliname savo gaminius, todėl čia pateikiamos specifikacijos gali būti keičiamos be įspėjimo.
- Skirtingose šalyse specifikacijos gali skirtis.
- Svoris gali priklausyti nuo priedo (-ų), įskaitant akumuliatoriaus kasetę. Lengviausias ir sunkiausias deriniai pagal EPTA 2014 m. sausio mėn. procedūrą yra parodyti lentelėje.

Tinkama akumuliatoriaus kasetė ir (arba) įkroviklis

Akumuliatoriaus kasetė	BL1015 / BL1016 / BL1020B / BL1021B / BL1040B / BL1041B
Įkroviklis	DC10SA / DC10SB / DC10WC / DC10WD / DC18RE

- Atsižvelgiant į gyvenamosios vietos regioną, kai kurios pirmiau nurodytos akumuliatoriaus kasetės ir įkrovikliai gali būti neprieinami.

⚠️ ĮSPĖJIMAS: Naudokite tik akumuliatoriaus kasetes ir įkroviklius, kurie nurodyti anksčiau. Naudojant bet kurias kitas akumuliatoriaus kasetes ir įkroviklius, gali kilti sužeidimo ir gaisro pavojus.

Numatytoji naudojimo paskirtis

Šis įrankis yra skirtas smūginiam gręžimui į plytas, plytų mūrinius ir mūrą. Jis taip pat tinka varžtams įsukti ir nesmūginiam gręžimui į medį, metalą, keramiką ir plastiką.

Triukšmas

Įprastas triukšmo A lygis, nustatytas pagal EN60745-2-1: Garso slėgio lygis (L_{pA}): 82 dB (A)
Garso galios lygis (L_{WA}): 93 dB (A)
Paklaida (K): 3 dB (A)

⚠️ ĮSPĖJIMAS: Dėvėkite ausų apsaugą.

Vibracija

Vibracijos bendroji vertė (triašio vektoriaus suma) nustatyta pagal EN60745-2-1 standartą:
Darbo režimas: kalamasis betono gręžimas
Vibracijos emisija ($a_{h,D}$): 13,0 m/s²
Paklaida (K): 1,5 m/s²
Darbo režimas: metalo gręžimas
Vibracijos emisija ($a_{h,D}$): 2,5 m/s² arba mažiau
Paklaida (K): 1,5 m/s²

PASTABA: Paskelbtasis vibracijos emisijos dydis nustatytas pagal standartinį testavimo metodą ir jį galima naudoti vienam įrankiui palyginti su kitu.

PASTABA: Paskelbtasis vibracijos emisijos dydis taip pat gali būti naudojamas preliminariai įvertinti vibracijos poveikį.

⚠️ ĮSPĖJIMAS: Faktiškai naudojant elektrinį įrankį, keliamos vibracijos dydis gali skirtis nuo paskelbtojo dydžio, priklausomai nuo būdų, kuriais yra naudojamas šis įrankis.

⚠️ ĮSPĖJIMAS: Siekdami apsaugoti operatorių, būtinai įvertinkite saugos priemones, remdamiesi vibracijos poveikio įvertinimu esant faktinėms naudojimo sąlygoms (atsižvelgdami į visas darbo ciklo dalis, pavyzdžiui, ne tik kiek laiko įrankis veikia, bet ir kiek kartų jis yra išjungiamas bei kai jis veikia be apkrovų).

EB atitikties deklaracija

Tik Europos šalims

EB atitikties deklaracija yra pridėdama kaip šio instrukcijų vadovo A priedas.

SAUGOS ĮSPĖJIMAI

Bendrieji įspėjimai dirbant elektriniais įrankiais

▲ ĮSPĖJIMAS: Perskaitykite visus saugos įspėjimus, instrukcijas, iliustracijas ir techninius duomenis, pateiktus kartu su šiuo elektriniu įrankiu. Nesilaikant visų toliau išvardytų instrukcijų galima patirti elektros smūgį, gali kilti gaisras ir (arba) galima sunkiai susižeisti.

Įsaugokite visus įspėjimus ir instrukcijas, kad galėtumėte jas peržiūrėti ateityje.

Terminas „elektrinis įrankis“ pateiktuose įspėjimuose reiškia į maitinimo tinklą jungiamą (laidinį) elektrinį įrankį arba akumuliatoriaus maitinamą (belaidį) elektrinį įrankį.

Saugos įspėjimai dėl belaidžio kalamojo grąžto naudojimo

1. Atlikdami smūginio grėžimo darbus, dėvėkite ausų apsaugas. Nuo triukšmo galima prarasti klausą.
2. Naudokite su įrankiu pridėtą išorinę rankeną (rankenas). Nesuvaldžius įrankio, galima susižeisti.
3. Atlikdami darbus, kurių metu pjovimo dalys gali paliešti paslėptus laidus, laikykite elektrinį įrankį tik už izoliuotų, laikyti skirtų paviršių. Pjovimo antgaliai prisilietus prie laido, kuriuo teka elektros srovė, neizoliuotos metalinės elektrinio įrankio dalys gali sukelti elektros smūgį ir nutrenkti operatorių.
4. Atlikdami darbus, kurių metu tvirtinimo elementas galėtų užkliudyti nematomą laidą arba savo paties laidą, laikykite elektrinius įrankius už izoliuotų paviršių. Užkliudžius laidą, kuriuo teka srovė, įtampa gali būti perduota neizoliuotoms metalinėms elektrinio įrankio dalims ir operatorių gali gauti elektros smūgį.
5. Būtinai įsitikinkite, kad tvirtai stovite. Jei naudojate įrankį aukštai, įsitikinkite, ar apačioje nėra žmonių.
6. Tvirtai laikykite įrenginį.
7. Laikykite rankas toliau nuo sukamųjų dalių.
8. Nepalikite veikiančio įrankio. Naudokite įrankį tik laikydami rankomis.
9. Nelieskite grąžto arba ruošinio iškart po naudojimo; jie gali būti itin karšti ir nudeginti odą.
10. Kai kuriose medžiagose esama cheminių medžiagų, kurios gali būti nuodingos. Saugokitės, kad neįkvėptumėte dulkių ir nesiliestumėte oda. Laikykites medžiagų tiekėjo saugos duomenų.
11. Jei grąžtas neatsilaisvina net atidarius žiotis, ištraukite jį replėmis. Šiuo atveju traukdami grąžtą rankomis galite susižeisti į aštrų kraštą.

SAUGOKITE ŠIAS INSTRUKCIJAS.

▲ ĮSPĖJIMAS: NELEISKITE, kad patogumas ir gaminio pažinimas (igyjamas pakartotinai naudojant) susilpnintų griežtą saugos taisyklių, taikytinų šiam gaminiui, laikymąsi. Dėl NETINKAMO NAUDOJIMO arba saugos taisyklių, kurios pateiktos šioje instrukcijoje, nesilaikymo galima rimtai susižeisti.

Svarbios saugos instrukcijos, taikomos akumuliatoriaus kasetei

1. Prieš naudodami akumuliatoriaus kasetę, perskaitykite visas instrukcijas ir perspėjimus ant (1) akumuliatorių įkroviklio, (2) akumuliatorių ir (3) akumuliatorių naudojančio gaminio.
2. Neardykite akumuliatoriaus kasetės.
3. Jei įrankio darbo laikas žymiai sutrumpėjo, nedelsdami nutraukite darbą su įrankiu. Tai gali kelti perkaitimo, nudegimų ar net sprogdimo pavojų.
4. Jei elektrolitas pateko į akis, plaukite jas tyru vandeniu ir nedelsdami kreipkitės į gydytoją. Gali kilti regėjimo praradimo pavojus.
5. Neužtrumpinkite akumuliatoriaus kasetės:
 - (1) Nelieskite kontaktų degiomis medžiagomis.
 - (2) Venkite laikyti akumuliatoriaus kasetę kartu su kitais metaliniais daiktais, pavyzdžiui, vinimis, monetomis ir pan.
 - (3) Saugokite akumuliatoriaus kasetę nuo vandens ir lietaus.Trumpasis jungimas akumuliatoriuje gali sukelti stiprią srovę, perkaitimą, galimus nudegimus ar net akumuliatoriaus gedimą.
6. Nelaikykite įrankio ir akumuliatoriaus kasetės vietose, kur temperatūra gali pasiekti ar viršyti 50 °C.
7. Nedeginkite akumuliatoriaus kasetės, net jei yra stipriai pažeista ar visiškai susidėvėjusi. Ugnyje akumuliatoriaus kasetė gali sprogti.
8. Saugokite akumuliatorių nuo kritimo ir smūgių.
9. Nenaudokite pažeisto akumuliatoriaus.
10. Įdėtomis ličio jonų akumuliatoriams taikomi Pavojaingų prekių teisės akto reikalavimai. Komercinis transportas, pvz., trečiųjų šalių, prekių vežimo atstovų, turi laikytis specialaus reikalavimo ant pakuotės ir ženklavimo. Norėdami paruošti siųstiną prekę, pasitarkite su pavojaingų medžiagų specialistu. Be to, laikykitės galimai išsamesnių nacionalinių reglamentų. Užklijuokite juosta arba padenkite atvirus kontaktus ir supakuokite akumuliatorių taip, kad jie pakuotėje nejudėtų.
11. Vadovaukitės vietos įstatymais dėl akumuliatorių išmetimo.
12. Baterijas naudokite tik su „Makita“ nurodytais gaminiams. Baterijas įdėjus į netinkamus gaminius gali kilti gaisras, gaminyje pernelyg kaisti, kilti sprogdimas arba pratekėti elektrolitas.

SAUGOKITE ŠIAS INSTRUKCIJAS.

▲ PERSPĖJIMAS: Naudokite tik originalų „Makita“ akumuliatorių. Neoriginalaus „Makita“ arba pakeisto akumuliatoriaus naudojimas gali nulemti gaisrą, asmens sužalojimą ir pažeidimą. Tai taip pat panaikina „Makita“ suteikiamą „Makita“ įrankio ir įkroviklio garantiją.

Patarimai, ką daryti, kad akumuliatorius veiktų kuo ilgiau

1. Pakraukite akumuliatoriaus kasetę prieš jai visiškai išsikraunant. Visuomet nustokite naudoti įrankį ir pakraukite akumuliatoriaus kasetę, kai pastebite, kad įrankio galia sumažėjo.
2. Niekada nekraukite iki galo įkrautos akumuliatoriaus kasetės. Perkraunant trumpėja akumuliatoriaus eksploatacijos laikas.
3. Akumuliatoriaus kasetę kraukite esant kambario temperatūrai 10 - 40 °C. Prieš pradėdami krauti, leiskite įkaitusiai akumuliatoriaus kasetei atvėsti.

VEIKIMO APRAŠYMAS

▲ PERSPĖJIMAS: Prieš pradėdami reguliuoti arba tikrinti įrankio veikimą, visuomet būtinai išjunkite įrankį ir išimkite akumuliatoriaus kasetę.

Akumuliatoriaus kasetės uždėjimas ir nuėmimas

▲ PERSPĖJIMAS: Prieš įdėdami arba išimdami akumuliatoriaus kasetę, visada išjunkite įrankį.

▲ PERSPĖJIMAS: Įdėdami arba išimdami akumuliatoriaus kasetę, tvirtai laikykite įrankį ir akumuliatoriaus kasetę. Jeigu įrankį ir akumuliatoriaus kasetę laikysite netvirtai, jie gali išsllysti iš jūsų rankų, todėl įrankis ir akumuliatoriaus kasetė gali būti sugadinti, o naudotojas sužalotas.

- **Pav.1:** 1. Raudonas indikatorius 2. Mygtukas 3. Akumuliatoriaus kasetė

Jei norite išimti akumuliatoriaus kasetę, ištraukite ją iš įrankio, stumdami mygtuką, esantį kasetės priekyje.

Jei norite įdėti akumuliatoriaus kasetę, sulygiuokite liežuvelį ant akumuliatoriaus kasetės su grioveliu korpuso ir įstumkite į jai skirtą vietą. Įdėkite iki galo, kol spragtelėdama užsikisuos. Jeigu matote raudoną indikatorių viršutinėje mygtuko pusėje, ji nėra visiškai užfiksuota.

▲ PERSPĖJIMAS: Akumuliatoriaus kasetę visada įkiškite iki galo, kol nebematysite raudono indikatoriaus. Priešingu atveju ji gali atsitiktinai iškristi iš įrankio, sužeisti jus arba aplinkinius.

▲ PERSPĖJIMAS: Nekiškite akumuliatoriaus kasetės įėga. Jeigu kasetė sunkiai lenda, ją kišate netinkamai.

Akumuliatoriaus apsaugos sistema

Įrankyje įrengta akumuliatoriaus apsaugos sistema. Ši sistema automatiškai atjungia variklio maitinimą, kad pailgėtų akumuliatoriaus naudojimo laikas. Įrankis automatiškai išsijungs darbo metu, esant vienai iš šių įrankio ir (arba) akumuliatoriaus darbo sąlygų:

Perkrautas:

Įrankis naudojamas taip, kad jame neįprastai padidėja elektros srovė.

Tokiu atveju atleiskite įrankio gaiduką ir nutraukite darbą, dėl kurio kilo įrankio perkrova. Po to vėl įjunkite įrankį. Jeigu įrankis neįsijungia, reiškia perkaito akumuliatorius. Tokiu atveju palaukite, kol akumuliatorius atvės, paskui vėl galite įjungti įrankį.

Žema akumuliatoriaus įtampa:

Likęs akumuliatoriaus įkrovos lygis per žemas, todėl įrankis neveiks. Įjungus įrankį, variklis pradeda veikti, bet netrukus vėl išsijungia. Tokiu atveju išimkite akumuliatorių ir jį įkraukite.

Likusios akumuliatoriaus galios rodymas

Tik akumuliatoriaus kasetėms su indikatoriumi

► **Pav.2:** 1. Indikatorijų lemputės 2. Tikrinimo mygtukas
Paspauskite akumuliatoriaus kasetės tikrinimo mygtuką, kad būtų rodoma likusi akumuliatoriaus energija. Maždaug trims sekundėms užsidegs indikatorijų lemputės.

Indikatorijų lemputės		Likusi galia
Šviečia	Nešviečia	
■ ■ ■ ■ ■	□	75% - 100%
■ ■ ■ □	□	50% - 75%
■ ■ □ □	□ □	25% - 50%
■ □ □ □	□ □ □ □	0% - 25%

PASTABA: Rodmuo gali šiek tiek skirtis nuo faktinės energijos lygio – tai priklauso nuo naudojimo sąlygų ir aplinkos temperatūros.

Jungiklio veikimas

- **Pav.3:** 1. Gaidukas

▲ PERSPĖJIMAS: Prieš montuodami akumuliatoriaus kasetę įrankyje, visuomet patikrinkite, ar gaidukas tinkamai veikia ir atleistas grįžta į išjungimo padėtį „OFF“.

Jei norite paleisti įrankį, tiesiog patraukite jungiklį. Stipriau spaudžiant gaiduką, įrankio veikimo greitis didėja. Norėdami išjungti, atleiskite svirtinį gaiduką.

Priekinės lemputės uždegimas

- **Pav.4:** 1. Lemputė

▲ PERSPĖJIMAS: Nežiūrėkite tiesiai į šviesą arba šviesos šaltinį.

Paspauskite gaiduką, kad užsidegtų lemputė. Lemputė švies toli, kol spausite gaiduką. Atleisus jungiklio gaiduką, lemputė užgesa maždaug po 10 sekundžių.

PASTABA: Purvą nuo lempos objektyvo nuvalykite sausu skudurėliu. Būkite atsargūs, kad nesubraižytumėte lempos objektyvo, nes pablogės apšvietimas.

Atbulinės eigos jungimas

► **Pav.5:** 1. Atbulinės eigos svirtelė

▲PERSPĖJIMAS: Prieš naudodami visuomet patikrinkite sukimosi kryptį.

▲PERSPĖJIMAS: Atbulinės eigos jungiklį naudokite tik įrankiui visiškai sustojus. Jei keisite sukimosi kryptį prieš įrankiui sustojant, galite sugadinti įrankį.

▲PERSPĖJIMAS: Kai nenaudojate įrankio, visuomet nustatykite atbulinės eigos jungiklio svirtelę į neutralią padėtį.

Šis įrankis turi atbulinės eigos jungiklį sukimosi kryptiai keisti. Nuspauskite atbulinės eigos jungiklio svirtelę iš A pusės, kad suktysi pagal laikrodžio rodyklę, arba iš B pusės, kad suktysi prieš laikrodžio rodyklę. Kai atbulinės eigos jungiklio svirtelė yra neutralioje padėtyje, jungiklio spausti negalima.

Greičio keitimas

► **Pav.6:** 1. Greičio keitimo svirtelė

▲PERSPĖJIMAS: Visuomet nustatykite greičio keitimo svirtelę iki galo į tinkamą padėtį. Jei įrankį valdote greičio keitimo svirtelė, nustatyta per vidurį tarp padėčių „1“ ir „2“, galite sugadinti įrankį.

▲PERSPĖJIMAS: Nenaudokite greičio keitimo svirtelės tol, kol įrankis veikia. Įrankis galis sugesti.


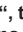
Greičio keitimo svirtelės padėtis	Greitis	Sukimo momentas	Atliekamas darbas
1	Mažas	Didelis	Didelės apkrovos darbas
2	Didelis	Mažas	Mažos apkrovos darbas

Jeigu norite pakeisti greitį, pirmiausiai įrankį išjunkite. Jeigu greitį norite padidinti, pasirinkite „2“ nuostatą, arba pasirinkite „1“ nuostatą, kad greitis būtų mažas, o veržimo sukimo momentas – didelis. Prieš pradėdami darbą, patikrinkite, ar greičio keitimo svirtelė nustatyta į tinkamą padėtį.

Jeigu naudojant nuostatą „2“ įrankis gręžia pernelyg greitai, pastumkite svirtį ties nuostata „1“ ir dirbkite toliau.




Veikimo režimo pasirinkimas

▲PERSPĖJIMAS: Visuomet tinkamai nustatykite žiedą ties norimo režimo žyme. Jei įrankį valdote žiedu, nustatytu per vidurį tarp režimų žymių, galite sugadinti įrankį.

▲PERSPĖJIMAS: Keičiant padėtį iš „“ į kitus režimus, režimo keitimo žiedą stumti gali būti truputį sunku. Tokiu atveju įjunkite įrankį ir leiskite jam sekundę padirbti esant padėčiai „“, tada išjunkite įrankį ir pastumkite žiedą į norimą padėtį.

► **Pav.7:** 1. Veikimo režimo keitimo žiedas
2. Reguliavimo žiedas 3. Padalos 4. Rodyklė

Šiame įrankyje yra trys veikimo režimai.

-  Gręžimo režimas (tik sukimas)
-  Smūginio gręžimo režimas (sukimas smūgiuojant)
-  Varžtų sukimo režimas (sukimas naudojant movą)

Pasirinkite savo darbui tinkamą režimą. Sukite veikimo režimo keitimo žiedą ir sutapdinkite pasirinktą žymą su rodykle ant įrankio korpuso.

Veržimo sukimo momento reguliavimas

► **Pav.8:** 1. Veikimo režimo keitimo žiedas
2. Reguliavimo žiedas 3. Padalos 4. Rodyklė

Priveržimo momentą galima reguliuoti 20 lygiu, sukant reguliavimo žiedą. Sulygiuokite padalas su rodykle, esančia ant įrankio korpuso. Galite nustatyti minimalų veržimo momentą – 1 ir maksimalų veržimo momentą – 20.

Prieš pradėdami tikrą darbą, įsukite bandomąjį varžtą į reikiamą ar analogišką medžiagą, kad išsiaiškintumėte, kurio sukimo momento lygio reikia konkrečiam darbui atlikti. Toliau bendrais bruožais nurodyta, kokias padalas reikia naudoti sukant skirtingus varžtus.

Padalos	1	2	3	4	5	6	7	8	9	10	11	12	13	14	15	16	17	18	19	20
Mašininis sraigtas	M4								M5								M6			
Medvaržtis	Minkšta mediena (pvz., pušis)	–										φ3,5 x 22				φ4,1 x 38				
Kietą medieną (pvz., lauanas)	–								φ3,5 x 22								–			
	–								–								φ4,1 x 38			

SURINKIMAS

▲PERSPĖJIMAS: Prieš darydami ką nors įrankiui visada patikrinkite, ar įrenginys išjungtas, o akumuliatorių kasetė – nuimta.

Suktuvo / grąžto galvūčių dėjimas ir išėmimas

Pasirenkamas priedas

► **Pav.9:** 1. Įvorė 2. Uždaryti 3. Atidaryti

Pasukite įvorę prieš laikrodžio rodyklę, kad atidarytumėte kumštelinį griebtuvą. Įdėkite suktuvo / grąžto galvutę į kumštelinį griebtuvą tiek giliai, kiek lenda. Pasukite įvorę pagal laikrodžio rodyklę, kad priveržtumėte kumštelinį griebtuvą. Jei norite išimti suktuvo / grąžto galvutę, pasukite įvorę prieš laikrodžio rodyklę.

Kabliuko montavimas

▲PERSPĖJIMAS: Montuodami kablį, visada jį tvirtai užveržkite varžtu. Antraip kablys gali nulėkti nuo įrankio ir sužaloti.

► **Pav.10:** 1. Griovelis 2. Kablys 3. Varžtas

Kablys yra patogus, kai norite trumpam pakabinti įrankį. Jį galima uždėti bet kurioje įrankio pusėje. Norėdami sumontuoti kablį, įkiškite jį į bet kurioje įrankio korpuso pusėje esantį griovelį, po to priveržkite jį varžtu. Norėdami kablį nuimti, atsukite varžtą ir nuimkite jį.

Suktuvo galvutės laikiklio sumontavimas

Pasirenkamas priedas

► **Pav.11:** 1. Suktuvo galvutės montavimo laikiklis 2. Suktuvo galvutė

Įkiškite suktuvo galvutės laikiklį į iškyšą, esančią įrankio kojelės dešinėje arba kairėje, ir tvirtai priveržkite jį varžtu. Jeigu suktuvo galvutės nenaudojate, palikite ją laikiklyje. Ten galima laikyti 45 mm ilgio suktuvo galvutes.

NAUDOJIMAS

▲PERSPĖJIMAS: Visuomet iki galo įkiškite akumuliatoriaus kasetę, kad tinkamai užsifiksuotų. Jeigu matote raudoną indikatorį viršutinėje mygtuko pusėje, ji nėra visiškai užfiksuota. Įstumkite ją iki galo tol, kol nebematysite raudono indikatoriaus. Priešingu atveju ji gali atsitiktinai iškristi iš įrankio, sužeisti jus arba aplinkinius.

▲PERSPĖJIMAS: Jeigu greitis nepaprastai smarkiai sumažėja, sumažinkite apkrovą arba išjunkite įrankį, kad jis nebūtų sugadintas.


Norėdami kontroliuoti užsikimimą, viena ranka tvirtai laikykite įrankį už rankenos, o kita ranka – už akumuliatoriaus kasetės apacios.

► **Pav.12**

Varžtų sukimas

▲PERSPĖJIMAS: Sureguliuokite reguliavimo žiedą tinkamam jūsų darbo lygiui.


▲PERSPĖJIMAS: Patikrinkite, ar suktuvas įstatytas tiesiai į varžto galvutę, nes galima sugadinti varžtą ir (arba) suktuvo galvutę.

Pirmiausia pasukite veikimo režimo keitimo žiedą taip, kad rodyklė ant įrankio korpuso rodytų į plaktuko žymę . Pridėkite varžtų suktuvo galvutę prie varžto galvutės ir paspauskite įrankį. Pradėkite dirbti įrankiu mažu greičiu ir palaipsniui didinkite greitį. Atleiskite mygtuką, kai tik įlenda griebtuvas.

PASTABA: Norėdami sukti medvaržčius, iš anksto išgręžkite vedančiąsias 2/3 varžto skersmens skylutes. Tuomet medvaržčius sukti bus lengviau ir ruošinys neskilinės.

Kalamasis gręžimas

▲PERSPĖJIMAS: Įrankį / grąžto galvutę veikia didelė ir staigi sukamoji jėga, kai gręžiama skylė ir ji prisipildo nuolaužų ir dalelių arba kai atsitrenkia į gelžbetonyje esančius sutvirtinimo strypus.

Pirmiausia pasukite veikimo režimo keitimo žiedą taip, kad rodyklė ant įrankio korpuso rodytų į plaktuko žymę . Reguliavimo žiedą galima sulygiuoti bet kokiems sukimo momentams šiam veikimo režimui. Naudokite grąžtą su volframo karbido galvute. Pridėkite grąžto galvutę prie tos vietos, kurioje gręšite skylę, ir nuspauskite gaiduką. Nespauskite įrankio jėga. Geriausių rezultatų pasiekiami spaudžiant nestipriai. Laikykite įrankį šioje padėtyje ir saugokite, kad nenuslystų nuo skylės. Nespauskite stipriai, kai skylė prisipildo nuolaužų ir dalelių. Vietoj to leiskite įrankiui šiek tiek paveikti tuščiąja eiga, tada iš dalies ištraukite grąžto galvutę iš skylės. Pakartojus tai keletą kartų, skylė bus išvalyta ir bus galima toliau gręžti.


Išpūtimo kriaušė

Pasirenkamas priedas

► **Pav.13:** 1. Išpūtimo kriaušė

Išgręžę skylę naudokite išpūtimo kriaušę dulkelms iš skylės išvalyti.

Gręžimas

Pirmiausiai pasukite reguliavimo žiedą taip, kad rodyklė būtų nukreipta į  žymą. Toliau atlikite šiuos veiksmus.

Medienos gręžimas

Kai gręžiate medieną, geriausi rezultatai gaunami su grąžtais, turinčiais pagrindinį varžtą. Kreipiamasis sraigtas palengvina gręžimą, įtraukdamas grąžto galvutę į ruošinį.

Metalo gręžimas

Kad grąžo galvutė neslystų, kai pradėdote gręžti skylę, įmuškite duobutę centro muškliu ir plaktuku numatomoje gręžimo vietoje. Pridėkite grąžo galvutės galą prie judumo ir pradėkite gręžti. Gręždami metalus, naudokite pjovimo tepalą. Išimtyms – geležis ir žalvaris, kuriuos reikia gręžti sausiai.

▲ PERSPĖJIMAS: Per didelis įrankio spaudimas nepagreitins gręžimo. Iš tikrųjų dėl tokio spaudimo gali būti pažeista grąžo galvutė, pablogėti įrankio darbas ir sutrumpėti jo eksploataavimo trukmė.

▲ PERSPĖJIMAS: Laikykite įrankį tvirtai ir atsargiai žiūrėkite, kada grąžo galvutė pradės gręžti ruošinį. Įrankį / grąžo galvutę veikia didelė sukamoji jėga, kai gręžiama skylė.

▲ PERSPĖJIMAS: Įstrigusią grąžo galvutę galima ištraukti tiesiog atbulinės eigos jungiklį nustatant į atbulinės eigos padėtį. Tačiau įrankis gali grubiai judėti atgal, jei tvirtai nelaikysite įrankio.

▲ PERSPĖJIMAS: Visada pritvirtinkite apdirbamus gaminius spaustuose arba panašiam prilaikymo prietaisui.


▲ PERSPĖJIMAS: Jei įrankis naudojamas tol, kol akumulatoriaus kasetė išsikrauna, leiskite įrankiui pailsėti 15 minučių prieš tęsdami su kitu akumulatoriumi.

Įrankio kaip rankinio suktuvo naudojimas.

► Pav.14

Išjunkite įrankį.

Atbulinės eigos jungiklio svirtelę nustatykite į neutralią padėtį.

Pasukite veikimo režimo keitimo žiedą taip, kad rodyklė rodytų į žymę .

Pasukite įrankį.

PASTABA: Taip patogu patikrinti varžto sukimą.

PASTABA: Nenaudokite įrankio darbui, reikalaujančiam didelės jėgos, pavyzdžiui, varžtams priveržti arba surūdijusiems varžtams išsukti.

Dėklo naudojimas

Pasirenkamas priedas

▲ PERSPĖJIMAS: Naudodami dėklą, išimkite suktuvo galvutę / grąžo galvutę iš įrankio.

▲ PERSPĖJIMAS: Išjunkite įrankį ir palaukite, kol jis visiškai sustos, tik tada dėkite jį į dėklą. Paspausdami mygtuką, tvirtai uždarykite dėklą, kad jis tvirtai laikytų įrankį.

1. Dėklą perjuoskite diržu ar kuo nors panašiu.

► **Pav.15:** 1. Dėklo laikiklis 2. Liemens diržas

2. Įdėkite įrankį į dėklą ir uždarykite jį dėklo mygtuku.

► **Pav.16**

► **Pav.17**

Dvi sukimo galvutes galima laikyti dėklo priekyje.

TECHNINĖ PRIEŽIŪRA

▲ PERSPĖJIMAS: Visuomet įsitikinkite, ar įrankis yra išjungtas ir akumulatoriaus kasetė yra nuimta prieš atlikdami apžiūrą ir priežiūrą.

PASTABA: Niekada nenaudokite gazolino, benzino, tirpiklio, spirito arba panašių medžiagų. Gali atsirasti išblukimų, deformacijų arba įtrūkimų.

Kad gaminys būtų SAUGUS ir PATIKIMAS, jį taisyti, apžiūrėti ar vykdyti bet kokią kitą priežiūrą ar derinimą turi įgaliotasis kompanijos „Makita“ techninės priežiūros centras; reikia naudoti tik kompanijos „Makita“ pagamintas atsargines dalis.

PASIRENKAMI PRIEDAI

▲ PERSPĖJIMAS: Šiuos papildomus priedus arba įtaisus rekomenduojama naudoti su šioje instrukcijoje nurodytu „Makita“ bendrovės įrankiu. Naudojant bet kokius kitus papildomus priedus arba įtaisus, gali kilti pavojus sužeisti žmones. Naudokite tik nurodytam tikslui skirtus papildomus priedus arba įtaisus.

Jeigu norite daugiau sužinoti apie tuos priedus, kreipkitės į artimiausią „Makita“ techninės priežiūros centrą.

- Grąžtai
- Suktuvo galvutės
- Sukimo antgaliai
- Grąžtas su volframo karbido galvute
- Išpūtimo kriaušė
- Suktuvo galvutės montavimo laikiklis
- Kablys
- Dėklas
- Originalus „Makita“ akumulatorius ir įkroviklis

PASTABA: Kai kurie sąrašė esantys priedai gali būti pateikti įrankio pakuotėje kaip standartiniai priedai. Jie įvairiose šalyse gali skirtis.

TEHNILISED ANDMED

Mudel:		HP333D
Puurimisvõimekus	Müüritis	8 mm
	Teras	10 mm
	Puit	21 mm
Kinnitamisvõimekus	Puidukruvi	5,1 mm × 63 mm
	Metallikruvi	M6
Koormuseta kiirus	Kiire (2)	0 - 1 700 min ⁻¹
	Aeglane (1)	0 - 450 min ⁻¹
Löökide arv minutis	Kiire (2)	0 - 25 500 min ⁻¹
	Aeglane (1)	0 - 6 750 min ⁻¹
Üldpikkus	193 mm	
Nimipinge	Alalisvool 10,8 V - 12 V max	
Netokaal	1,1 - 1,3 kg	

- Meie pideva uuringu- ja arendusprogrammi tõttu võidakse tehnilisi andmeid muuta ilma sellest ette teatamata.
- Tehnilised andmed võivad riigiti erineda.
- Kaal võib erineda olenevalt lisaseadistest, kaasa arvatud akukassetist. Kergeim ja raskeim kombinatsioon EPTA-protseduuri 01/2014 kohaselt on toodud tabelis.

Sobiv akukassett ja laadija

Akukassett	BL1015 / BL1016 / BL1020B / BL1021B / BL1040B / BL1041B
Laadija	DC10SA / DC10SB / DC10WC / DC10WD / DC18RE

- Mõned eespool loetletud akukassetid ja -laadijad ei pruugi olla teie riigis saadaval.

⚠ HOIATUS: Kasutage ainult ülalpool loetletud akukassette ja laadijaid. Muude akukassetide ja laadijate kasutamine võib tekitada vigastusi ja/või tulekahju.

Kavandatud kasutus

Tööriist on mõeldud telliste, tellisseinte ja müüritiste lõõkpuurimiseks. Samuti sobib see kruvide keeramiseks ja ilma lõõkfunktsioonita puidu, metalli, keraamika ja plasti puurimiseks.

Müra

Tüüpiline A-korrigeeritud müratase, määratud standardi EN60745-2-1 kohaselt:
 Helirõhutase (L_{pA}): 82 dB (A)
 Helivõimsuse tase (L_{WA}): 93 dB (A)
 Määramatus (K): 3 dB (A)

⚠ HOIATUS: Kasutage kõrvakaitsmeid.

Vibratsioon

Vibratsiooni koguväärtus (kolmeteljeliste vektorite summa) määratud standardi EN60745-2-1 kohaselt:
 Töörežiim: betooni lõõkpuurimine
 Vibratsiooniheide ($a_{h,D}$): 13,0 m/s²
 Määramatus (K): 1,5 m/s²
 Töörežiim: metalli puurimine
 Vibratsiooniheide ($a_{h,D}$): 2,5 m/s² või vähem
 Määramatus (K): 1,5 m/s²

MÄRKUS: Deklareeritud vibratsiooniheite väärtus on mõõdetud kooskõlas standardse testimismeetodiga ning seda võib kasutada ühe seadme võrdlemiseks teisega.

MÄRKUS: Deklareeritud vibratsiooniheite väärtust võib kasutada ka mürataseme esmaseks hindamiseks.

⚠ HOIATUS: Vibratsioonitase võib elektritööriista tegelikkuses kasutamise ajal erineda deklareeritud väärtusest olenevalt tööriista kasutamise viisidest.

⚠ HOIATUS: Rakendage operaatori kaitsmiseks kindlasti piisavaid ohutusabinõusid, mis põhinevad hinnangulisel müratasemel tegelikus tööolukorras (võttes arvesse tööperioodi kõiki osasid, nagu näiteks korrad, kui seade lülitatakse välja ja seade töötab tühikäigul, lisaks tööajale).

EÜ vastavusdeklaratsioon

Ainult Euroopa riikide puhul

EÜ vastavusdeklaratsioon sisaldub käesoleva juhendi Lisas A.

OHUTUSHOIATUSED

Üldised elektritööriistade ohutushoiatused

▲HOIATUS: Lugege läbi kõik selle elektritööriistaga kaasas olevad ohutushoiatused, juhised, joonised ja tehnilised andmed. Järgnevate juhiste eiramine võib põhjustada elektrilöögi, süttimise ja/või raske kehavigastuse.

Hoidke edaspidisteks viideteks alles kõik hoiatused ja juhtnöörid.

Hoiatuses kasutatud termini „elektritööriist“ all peetakse silmas elektriga töötavaid (juhtmega) elektritööriistu või akuga töötavaid (juhtmeta) elektritööriistu.

Juhtmeta lööktrell-kravikeeraja ohutuse nõuded

1. Kasutage löökpuurimise ajal kõrvaklappe. Müra võib põhjustada kuulmise kaotust.
2. Kasutage lisakäepidid/peidemeid, kui need on tööriistadega kaasas. Kontrolli puudumine võib põhjustada inimestele vigastusi.
3. Hoidke elektritööriista isoleeritud käepidemest, kui löikate ja löikeriist võib kokku puutuda peidetud juhtmetega. Voolu all oleva juhtmega kokkupuutesse sattunud löiketera võib pingestada elektritööriista metallosi ning põhjustada kasutajale elektrilöögi.
4. Hoidke elektritööriista isoleeritud haardepindadest, kui töotate kohas, kus kinnitusvahend võib sattuda kokkupuutesse varjatud elektrijuhtmetega. Kinnitudetaili kokkupuude elektrijuhtmetega võib pingestada tööriista avatud metallosad, mille tulemusel võib operaator saada elektrilöögi.
5. Veenduge alati, et teie jalgealune oleks kindel. Kui töotate kõrguses, siis jälgige, et teist allpool ei viibiks inimesi.
6. Hoidke tööriistast kindlalt kinni.
7. Hoidke käed eemal pöörlevatest osadest.
8. Ärge jätke tööriista käima. Käivitage tööriist ainult siis, kui hoiate seda käes.
9. Ärge puutuge otsakut või töödeldavat detaili vahetult peale puurimist; need võivad olla väga kuumad ja põhjustada põletushaavu.
10. Mõned materjalid võivad sisaldada mürgiseid aineid. Võtke meetmed tolmude sissehingamise ja nahaga kokkupuute vältimiseks. Järgige materjali tarnija ohutuseavet.
11. Kui puuri ei saa lõdvemaks lasta, isegi kui haaratsid avate, kasutage selle väljatõmbamiseks tange. Sellisel juhul võib puuri terav serv tekitada selle käega väljatõmbamisel vigastusi.

HOIDKE JUHEND ALLES.

▲HOIATUS: ÄRGE UNUSTAGE järgida toote ohutusnõudeid mugavuse või toote (korduskasutamisega saavutatud) hea tundmise tõttu. VALE KASUTUS või kasutusjuhendi ohutuseeskirjade eiramine võib põhjustada tervisekahjustusi.

Akukassetiga seotud olulised ohutusjuhised

1. Enne akukasseti kasutamist lugege (1) akulaadiljal, (2) akul ja (3) seadmel olevad juhtnöörid ja hoiatused läbi.
2. Ärge võtke akukassetti lahti.
3. Kui tööaeg järsult lüheneb, siis lõpetage kohe kasutamine. Edasise kasutamise tulemuseks võib olla ülekuumenemisoht, võimalikud põletused või isegi plahvatus.
4. Kui elektroliit satub silma, siis loputage silma puhta veega ja pöörduge koheselt arsti poole. Selline õnnetus võib põhjustada pimedaksjäämist.
5. Ärge tekitage akukassetis lühist:
 - (1) Ärge puutuge klemme elektrijuhtmetega.
 - (2) Ärge hoidke akukassetti tööriistakastis koos metallsemetega, nagu naelad, mündid jne.
 - (3) Ärge tehke akukassetti märjaks ega jätke seda vihma kätte.

Aku lühis võib põhjustada tugevat elektrivoolu, ülekuumenemist, põletusi ning ka seadet tõsiselt kahjustada.

6. Ärge hoidke tööriista ja akukasseti kohtades, kus temperatuur võib tõusta üle 50 °C.
7. Ärge põletage akukassetti isegi siis, kui see on saanud tõsiselt vigastada või on täiesti kulunud. Akukassett võib tules plahvatada.
8. Olge ettevaatlik, ärge laske akul maha kukkuda ja vältige lööke.
9. Ärge kasutage kahjustatud akut.
10. Sisalduvatele liitium-ioonakudele võivad kohalduva ohtlike kaupade õigusaktide nõuded. Kaubanduslikul transportimisel, näiteks kolmandate poolte või transpordiettevõtete poolt, tuleb järgida pakendil ja sihtidel toodud erinõudeid. Transportimiseks ettevalmistamisel on vajalik pidada nõu ohtliku materjali ekspertidega. Samuti tuleb järgida võimalike riiklike regulatsioonide üksikasjalikumaid nõudeid. Katke teibiga või varjake avatud kontaktid ja pakendage aku selliselt, et see ei saaks pakendis liikuda.
11. Järgige kasutusõhmatuks muutunud aku käitlemisel kohalikke eeskirju.
12. Kasutage akusid ainult Makita heaks kiidetud toodetega. Akude paigaldamine selleks mitte ettenähtud toodetele võib põhjustada süttimist, ülemaärast kuumust, plahvatamist või elektroliidi lekkimist.

HOIDKE JUHEND ALLES.

▲ETTEVAATUST: Kasutage ainult Makita originaalakusid. Mitte Makita originaalakude või muudetud akude kasutamine võib põhjustada akude süttimise, kehavigastuse ja kahjustuse. Samuti muudab see kehtetuks Makita tööriista ja laadija Makita garantii.

Vihjeid aku maksimaalse kasutaja tagamise kohta

1. Laadige akukassetti enne selle täielikku tühjenemist. Kui märkate, et tööriist töötab väiksema võimsusega, peatage töö ja laadige akukassetti.
2. Ärge laadige täielikult laetud akukassetti. Ülelaadimine lühendab akude kasutusiga.
3. Laadige akukassetti toatemperatuuril 10 °C - 40 °C. Enne laadimist laske kuumenenud akukassetti maha jahtuda.

FUNKSIONAALNE KIRJELDUS

⚠ETTEVAATUST: Kandke alati hoolt selle eest, et tööriist oleks enne reguleerimist ja kontrollimist välja lülitatud ja akukassett eemaldatud.

Akukasseti paigaldamine või eemaldamine

⚠ETTEVAATUST: Lülitage tööriist alati enne akukasseti paigaldamist või eemaldamist välja.

⚠ETTEVAATUST: Akukasseti paigaldamisel või eemaldamisel tuleb tööriista ja akukassetti kindlalt paigal hoida. Kui tööriista ja akukassetti ei hoita kindlalt paigal, võivad need käest libiseda ning kahjustada tööriista ja akukassetti või põhjustada kehavigastusi.

► **Joon.1:** 1. Punane näidik 2. Nupp 3. Akukassett

Akukasseti eemaldamiseks libistage see tööriista küljest lahti, vajutades kasseti esiküljel paiknevat nuppu alla.

Akukasseti paigaldamiseks joondage akukasseti keel korpuse soonega ja libistage kassett oma kohale. Paigaldage akuadapter alati nii kaugemale, et see lukustuks klõpsatusega oma kohale. Kui näete nupu ülaosas punast osa, pole kassett täielikult lukustunud.

⚠ETTEVAATUST: Paigaldage akukassett alati täies ulatuses nii, et punast osa ei jääks näha. Muidu võib adapter juhuslikult tööriistast välja kukkuda ning põhjustada teile või läheduses viibivatele isikutele vigastusi.

⚠ETTEVAATUST: Ärge rakendage akukassetti paigaldamisel jõudu. Kui kassett ei lähe kergesti sisse, pole see õigesti paigaldatud.

Aku kaitsesüsteem

Tööriist on varustatud aku kaitsesüsteemiga. Süsteem lülitab mootori automaatselt välja, et pikendada aku tööiga.

Tööriist seiskub käitamise ajal automaatselt, kui tööriista ja/või aku kohta kehtivad järgmised tingimused:

Ülekoormus:

Tööriista kasutatakse viisil, mis põhjustab toitevoolu tugevuse tõusu lubatust kõrgemale.

Sellisel juhul lülitage tööriist välja ning lõpetage tööriista ülekoormuse põhjustanud tegevus. Pärast seda käivitage tööriist uuesti.

Kui tööriist ei käivitu, on aku üle kuumenenud. Sellises olukorras laske akul enne tööriista uuesti sisselülitamist jahtuda.

Madal akupinge:







Järelejäänud aku voolutugevus on liiga väike ja tööriist ei tööta. Tööriista sisse lülitades hakkab mootor tööle, kuid seiskub peatselt. Sellisel juhul eemaldage aku ja laadige seda.

Aku jääkmahutavuse näit

Ainult näidikuga akukassettidele

► **Joon.2:** 1. Märgulambid 2. Kontrollimise nupp

Akukasseti järelejäänud mahutavuse kontrollimiseks vajutage kontrollimise nuppu. Märgulambid süttivad mõneks sekundiks.

Märgulambid		Jääkmahutavus
		
		75–100%
		50–75%
		25–50%
		0–25%

MÄRKUS: Näidatud mahutavus võib veidi erineda tegelikust mahutavusest olenevalt kasutustingimustest ja ümbritseva keskkonna temperatuurist.

Lüliti funktsioneerimine

► **Joon.3:** 1. Lüliti päästik

⚠ETTEVAATUST: Kontrollige alati enne akukasseti tööriista külge paigaldamist, kas lüliti päästik funktsioneerib nõuetekohaselt ja liigub lahtilaskmisel tagasi väljalülitatud asendisse.

Tööriista tööle panemiseks on vaja lihtsalt lüliti päästikut tõmmata. Tööriista kiirus kasvab siis, kui suurendate survet lüliti päästikule. Vabastage lüliti päästik tööriista seiskamiseks.

Eesmise lambi süütamine

► **Joon.4:** 1. Lamp

⚠ETTEVAATUST: Ärge vaadake otse valgusesse ega valgusallikat.

Lambi süütamiseks tõmmake lüliti päästikut. Lamp põleb sel ajal, kui tõmmatakse lüliti päästikut. Lamp kustub umbes 10 sekundit pärast lüliti päästiku vabastamist.

MÄRKUS: Pühkige lamp kuiva lapiga puhtaks. Olge seda tehes ettevaatlik, et lambi läätse mitte kriimustada, sest muidu võib valgustus väheneda.

Suunamuutmise lüliti töötamisviis

► **Joon.5:** 1. Suunamuutmise lüliti hoo

⚠ETTEVAATUST: Enne töö alustamist kontrollige alati pöörlemise suunda.

⚠ETTEVAATUST: Kasutage suunamuutmislüliti alles pärast tööriista täielikku seiskumist. Enne tööriista seiskumist suuna muutmine võib tööriista kahjustada.

⚠ETTEVAATUST: Kui tööriista ei kasutata, peab suunamuutmislüliti hoo olema alati neutraalses asendis.

Sellel tööriistal on suunamuutmise lüliti, millega saab muuta pöörlemise suunda. Suruge suunamuutmislüliti hoob A-küljel alla – tööriist pöörleb päripäeva, vastupäeva pöörlemiseks suruge see alla B-küljel. Kui suunamuutmislüliti hoob on neutraalses asendis, siis lüliti päästikut tömmata ei saa.

Kiiruse muutmine

► **Joon.6:** 1. Kiiruseregulaatori hoob

⚠ETTEVAATUST: Seadke kiiruseregulaatori hoob alati korralikult õigesse asendisse. Tööriista kasutamine selliselt, et kiiruseregulaatori hoob paikneb „1” ja „2” asendi vahel, võib tööriista kahjustada.

⚠ETTEVAATUST: Ärge kasutage kiiruseregulaatori hooba siis, kui tööriist töötab. See võib tööriista kahjustada.



Kiiruse vahetamise hoova asend	Kiirus	Väändemoment	Sobiv toiming
1	Kiire	Aeglane	Suure koormusega töötamine
2	Aeglane	Kiire	Kerge koormusega töötamine

Kiiruse muutmiseks lülitage tööriist kõigepealt välja. Valige „2” suure kiiruse jaoks või „1” väikese kiiruse, kuid suure väändemomendi jaoks. Veenduge, et enne töö alustamist oleks kiiruseregulaatori hoob õiges asendis.

Kui tööriista kiirus väheneb olulisel määral asendis „2” töötamise ajal, siis lükake hoob asendisse „1” ja alustage uuesti tööd.




Töörežiimi valimine

⚠ETTEVAATUST: Seadke rõngas alati õigesse töörežiimi asendisse. Tööriista kasutamine selliselt, et rõngas paikneb kahe režiimi asendi sümboli vahel, võib tööriista kahjustada.

⚠ETTEVAATUST: Kui soovite muuta režiimist „” teistesse režiimidesse, võib töörežiimi muutmise rõngast olla veidi raske liigutada. Sellisel juhul lülitage tööriist sisse ja laske üks sekund asendis „” töötada, siis seisake tööriist ning libistage rõngas soovitud asendisse.

► **Joon.7:** 1. Töörežiimi muutmise rõngas
2. Reguleerimisrõngas 3. Mõõteskaala
4. Nool

Tööriistal on kolm töörežiimi.

-  Puurimise režiim (ainult pöörlemine)
-  Löökpuurimise režiim (pöörlemine koos löögiga)
-  Kruvikeeraja režiim (pöörlemine koos sidurdamisega)

Valige oma tööle sobiv režiim. Keerake töörežiimi muutmise rõngast ja seadke valitud märk kohakuti tööriista korpusel oleva noolega.

Kinnitamiste väändemomendi reguleerimine

► **Joon.8:** 1. Töörežiimi muutmise rõngas
2. Reguleerimisrõngas 3. Mõõteskaala 4. Nool

Pingutusjõude saab reguleerimisrõngast pöörates 20 astme ulatuses muuta. Viige gradeerimisnumbrid kohakuti tööriista korpusel oleva noolega. Minimaalse pingutusjõu saate „1” ja maksimaalse pingutusjõu märgise 20 juures. Enne tööriista kasutamist kruvige üks kruvi prooviks töödeldavasse pinda või sarnasesse pinda, et teha kindlaks, milline väändemomendi tase on töö jaoks sobivaim. Alljärgneval joonisel on näidatud kruvi suuruse ja mõõteskaala jaoks sobivad vastavus.

Mõõteskaala		1	2	3	4	5	6	7	8	9	10	11	12	13	14	15	16	17	18	19	20
Metallikruvi		M4								M5								M6			
Puidukruvi	Okaspuu (näiteks määnd)						–					φ3,5 × 22					φ4,1 × 38				
	Lehtpuu (näiteks lauan)						–					φ3,5 × 22					–				
										–								φ4,1 × 38			

KOKKUPANEK

⚠ETTEVAATUST: Kandke alati hoolt selle eest, et tööriist oleks enne igasuguseid hooldustöid välja lülitatud ja akukassett eemaldatud.

Kruvikeeraja otsaku / puuriotsaku paigaldamine või eemaldamine

Valikuline tarvik

► **Joon.9:** 1. Hülss 2. Sulge 3. Ava

Keerake pakkide avamiseks padruni keret vastupäeva. Paigaldage kruvikeeraja otsak / puuriotsak padrunisse maksimaalsele sügavusele. Keerake padruni pingutamiseks selle keret vastupäeva. Kruvikeeraja otsaku / puuriotsaku eemaldamiseks keerake padruni keret vastupäeva.

Konksu paigaldamine

⚠ETTEVAATUST: Konksu paigaldamisel keerake kruvi alati tugevalt kinni. Muidu võib konks tööriistalt lahti tulla ja kehavigastusi põhjustada.

► **Joon.10:** 1. Soon 2. Konks 3. Kruvi

Konksu abil saate tööriista ajutiselt kuhugi riputada. Selle võib paigaldada tööriista ükskõik kummale küljele. Konksu paigaldamiseks torgake see tööriista korpuse ükskõik kummal küljel olevasse õnarusse ja kinnitage kruviga. Eemaldamiseks lödvendage kruvi ja võtke see siis välja.

Kruvikeeraja otsaku hoidiku paigaldamine

Valikuline tarvik

► **Joon.11:** 1. Kruvikeeraja otsaku hoidik
2. Kruvikeeraja otsak

Asetage kruvikeeraja otsakute hoidik tööriista jalami juures parem- või vasakpoolsel küljel olevasse eendisse ja kinnitage kruviga.

Kui te kruvikeeraja otsakuid ei kasuta, hoidke neid kruvikeeraja otsakute hoidikus. Seal saate hoida kuni 45 mm pikkuseid kruvikeeraja otsakuid.

TÖÖRIISTA KASUTAMINE

⚠ETTEVAATUST: Pange akukassett alati sisse nii sügavale, et see lukustuks oma kohale. Kui näete nupu ülaosas punast osa, pole kassett täielikult lukustunud. Sisestage see täies ulatuses nii, et punast osa ei jääks näha. Muidu võib adapter juhuslikult tööriistast välja kukkuda ning põhjustada teile või läheduses viibivatele isikutele vigastusi.

⚠ETTEVAATUST: Kui kiirus väheneb olulisel määral, siis vähendage koormust või seisake tööriist, et vältida tööriista kahjustamist.


Väändeliikumise kontrolli all hoidmiseks hoidke tööriista kindlalt ühe käega käepidemest ja teise käega akukassetti alt.

► **Joon.12**

Kruvikeeraja režiim

⚠ETTEVAATUST: Reguleerige regulaatorrõngas tööks sobivale väändemomendi tasemele.


⚠ETTEVAATUST: Veenduge, et kruvikeeraja otsak oleks asetatud kruvipeasse otse, sest muidu võite kruvi ja/või kruvikeeraja otsakut kahjustada.

Esmalt pöörake töörežiimide muutmise rõngast selliselt, et nool tööriista korpusel osutaks sümbolile . Asetage kruvikeeraja otsaku tipp kruvipeasse ja suruge tööriistale. Käivitage tööriist aeglaselt ja seejärel suurendage järk-järgult kiirust. Vabastage lüliti päästik niipea, kui sidur rakendub.

MÄRKUS: Puidukruvi paigaldamisel puurige enne juhtauku, mille läbimõõt moodustab 2/3 kruvi läbimõõdu. See hõlbustab kruvi paigaldamist ja aitab vältida töödeldava detaili lõhenemist.

Löökpuurimise režiim

⚠ETTEVAATUST: Kui auk ummistub laastude ja osakestega või tabatakse betooni peidetud armatuurrauda, rakendub materjali läbistamisel tööriistale/puuriotsakule väga suur ja järsk väändejõud.

Esmalt pöörake töörežiimide muutmise rõngast selliselt, et nool tööriista korpusel osutaks sümbolile . Selles režiimis saab reguleerimisrõngast joondada iga väändemomendi tasemega. Kasutage kindlasti volframkarbiidi kastetud puuriotsakut. Asetage puuriotsak augu jaoks valitud kohale ning tõmmake siis lüliti päästikut. Ärge rakendage tööriista suhtes jõudu. Parimad tulemused saavutatakse kerge survega. Hoidke tööriist õiges asendis ning vältige selle august väljalibisemist.

Ärge rakendage lisajõudu, kui auk ummistub laastude või osakestega. Selle asemel laske tööriistalt käia tühikäigul, siis eemaldage puuriotsak osaliselt august. Korras seda mitu korda, saab auk puhtaks ja võite jätkata tavapärase puurimisega.


Läbipõlenud pirn

Valikuline tarvik

► **Joon.13:** 1. Läbipõlenud pirn

Kui auk on valmis puuritud kasutage väljapuhke kolbi, et auku tolmust puhastada.

Puurimisrežiim

Esmalt pöörake reguleerimisrõngast nii, et nool oleks suunatud märgisele . Seejärel tegutsuge järgmiselt.

Puidu puurimine

Puidu puurimise hõlbustamiseks kasutage juhtkruviga puure. Juhtkruvi lihtsustab puurimist, tõmmates kruvikeeraja otsaku pinna sisse.

Metalli puurimine

Puuriotsaku libisemise vältimiseks puurimise alustamise hetkel, tehke puuritavasse kohta kämi ja haamriga mäрге. Asetage puuriotsaku tipp märgi kohale ja alustage puurimist. Metallide puurimisel kasutage lõikuri määrdet. Erandiks on raud ja messing, mida tuleks puurida kuival.

⚠ETTEVAATUST: Liiga suur surve seadmele ei kiirenda puurimist. Liigne surve hoopis kahjustab puuriotsaku tippu, vähendab seadme efektiivsust ja lühendab seadme tööiga.

⚠ETTEVAATUST: Hoidke tööriista kindlalt ning olge tähelepanelik, kui puuriotsak hakkab puuritavast materjalist läbi tungima. Materjali läbistamisel rakendub tööriistale/puuriotsakule väga suur jõud.

⚠ETTEVAATUST: Kinnikiilunud puuriotsaku saab lihtsalt vabastada, kui muudate puuri pöörlemissuuna vastupidiseks. Kui tööriista ei hoita kindlalt, võib see ootamatult tagasi viskuda.

⚠ETTEVAATUST: Kinnitage töödeldavad esemed alati kruustangide või mõne sarnase kinnitusvahendiga.


⚠ETTEVAATUST: Kui tööriistaga töötatakse järjest seni, kuni akukasett on tühi, laske tööriistal enne uue akuga töö jätkamist 15 minutit seista.

Tööriista kasutamine käsikruvikeerajana

► Joon.14

Lülitage tööriist välja.

Viige suunamuutmisüliliti hoob neutraalasendisse.

Pöörake töörežiimi muutmise rõngast nii, et nool näitaks sümbolile .

Pöörake tööriista.

MÄRKUS: Selline kasutusviis on mugav kruvikeeramise kontrolliks.

MÄRKUS: Ärge kasutage seda tööriista suurt jõudu vajavaks tööks, näiteks poltide kinnitamiseks või roostes kruvide eemaldamiseks.

Tööriistahoidiku kasutamine

Valikuline tarvik

⚠ETTEVAATUST: Tööriistahoidiku kasutamisel eemaldage kruvikeeraja otsak / puuriotsak tööriistalt.

⚠ETTEVAATUST: Lülitage tööriist välja ja enne selle paigutamist tööriistahoidikusse oodake, kuni tööriist on täielikult seiskunud. Veenduge, et tööriistahoidik oleks tööriistahoidiku nõõbiga kindlalt suletud, nii et tööriist püsib kindlalt.

1. Lükake püksirihm või muu sarnane rihm läbi tööriistahoidiku.

► **Joon.15:** 1. Tööriistahoidik 2. Püksirihm

2. Asetage tööriist hoidikusse ja sulgege see tööriistahoidiku nõõbiga.

► **Joon.16**

► **Joon.17**

Te saate kahte kruvikeeraja otsakut hoida tööriistahoidiku ees.

HOOLDUS

⚠ETTEVAATUST: Enne kontroll- või hooldustoimingute tegemist kandke alati hoolt selle eest, et tööriist oleks välja lüülitatud ja akukasett korpuse küljest eemaldatud.

TÄHELEPANU: Ärge kunagi kasutage bensiini, vedeldit, alkoholi ega midagi muud sarnast. Selle tulemuseks võib olla luitumine, deformatsioon või pragunemine.

Toote OHUTUSE ja TÖÖKINDLUSE tagamiseks tuleb vajalikud remonttööd ning muud hooldus- ja reguleerimistööd lasta teha Makita volitatud teeninduskeskustes või tehase teeninduskeskustes. Alati tuleb kasutada Makita varuosi.

VALIKULISED TARVIKUD

⚠ETTEVAATUST: Neid tarvikuid ja lisaseadiseid on soovitatav kasutada koos Makita tööriistaga, mille kasutamist selles kasutusjuhendis kirjeldatakse. Muude tarvikute ja liseseadiste kasutamisega kaasneb vigastada saamise oht. Kasutage tarvikuid ja liseseadiseid ainult otstarbekohaselt.

Saate vajaduse korral kohalikust Makita teeninduskeskusest lisateavet nende tarvikute kohta.

- Puurid
- Kruvikeeraja otsakud
- Sokliga otsakud
- Volframkarbiidist otsaga puuriotsak
- Läbipõlenud pirn
- Kruvikeeraja otsaku hoidik
- Konks
- Tööriistahoidik
- Makita algupärane aku ja laadija

MÄRKUS: Mõned nimekirjas loetletud tarvikud võivad kuuluda standardvarustusse ning need on lisatud tööriista pakendisse. Need võivad riigiti erineda.

ТЕХНИЧЕСКИЕ ХАРАКТЕРИСТИКИ

Модель:		HP333D
Максимальный диаметр сверления	Каменная кладка	8 мм
	Сталь	10 мм
	Дерево	21 мм
Усилие затяжки	Шуруп	5,1 мм x 63 мм
	Мелкий крепежный винт	M6
Число оборотов без нагрузки	Высокое (2)	0 - 1 700 мин ⁻¹
	Низкое (1)	0 - 450 мин ⁻¹
Ударов в минуту	Высокое (2)	0 - 25 500 мин ⁻¹
	Низкое (1)	0 - 6 750 мин ⁻¹
Общая длина		193 мм
Номинальное напряжение		10,8 - 12 В пост. тока, макс.
Масса нетто		1,1 - 1,3 кг

- Благодаря нашей постоянно действующей программе исследований и разработок указанные здесь технические характеристики могут быть изменены без предварительного уведомления.
- Технические характеристики могут различаться в зависимости от страны.
- Масса может отличаться в зависимости от дополнительного оборудования. Обратите внимание, что блок аккумулятора также считается дополнительным оборудованием. В таблице представлены комбинации с наибольшим и наименьшим весом в соответствии с процедурой EPTA 01/2014.

Подходящий блок аккумулятора и зарядное устройство

Блок аккумулятора	BL1015 / BL1016 / BL1020B / BL1021B / BL1040B / BL1041B
Зарядное устройство	DC10SA / DC10SB / DC10WC / DC10WD / DC18RE

- В зависимости от региона проживания некоторые блоки аккумуляторов и зарядные устройства, перечисленные выше, могут быть недоступны.

⚠ ОСТОРОЖНО: Используйте только перечисленные выше блоки аккумуляторов и зарядные устройства. Использование других блоков аккумуляторов и зарядных устройств может привести к травме и/или пожару.

Назначение

Инструмент предназначен для сверления отверстий с ударным действием в кирпичной и каменной кладке. В режиме обычного (безударного) действия можно использовать инструмент в качестве шуруповерта, а также сверлить дерево, металл, керамику и пластик.

Шум

Типичный уровень взвешенного звукового давления (A), измеренный в соответствии с EN60745-2-1: Уровень звукового давления (L_{pA}): 82 дБ (A)
Уровень звуковой мощности (L_{WA}): 93 дБ (A)
Погрешность (K): 3 дБ (A)

⚠ ОСТОРОЖНО: Используйте средства защиты слуха.

Вибрация

Суммарное значение вибрации (сумма векторов по трем осям), определенное в соответствии с EN60745-2-1:

Рабочий режим: ударное сверление бетона

Распространение вибрации ($a_{h,1D}$): 13,0 м/с²

Погрешность (K): 1,5 м/с²

Рабочий режим: сверление металла

Распространение вибрации ($a_{h,1D}$): 2,5 м/с² или менее

Погрешность (K): 1,5 м/с²

ПРИМЕЧАНИЕ: Заявленное значение распространения вибрации измерено в соответствии со стандартной методикой испытаний и может быть использовано для сравнения инструментов.

ПРИМЕЧАНИЕ: Заявленное значение распространения вибрации можно также использовать для предварительных оценок воздействия.

⚠ОСТОРОЖНО: Распространение вибрации во время фактического использования электроинструмента может отличаться от заявленного значения в зависимости от способа применения инструмента.

⚠ОСТОРОЖНО: Обязательно определите меры безопасности для защиты оператора, основанные на оценке воздействия в реальных условиях использования (с учетом всех этапов рабочего цикла, таких как выключение инструмента, работа без нагрузки и включение).

Декларация о соответствии ЕС

Только для европейских стран

Декларация о соответствии ЕС включена в руководство по эксплуатации (Приложение А).

МЕРЫ БЕЗОПАСНОСТИ

Общие рекомендации по технике безопасности для электроинструментов

⚠ОСТОРОЖНО: Ознакомьтесь со всеми представленными инструкциями по технике безопасности, указаниями, иллюстрациями и техническими характеристиками, прилагаемыми к данному электроинструменту. Несоблюдение каких-либо инструкций, указанных ниже, может привести к поражению электрическим током, пожару и/или серьезной травме.

Сохраните брошюру с инструкциями и рекомендациями для дальнейшего использования.

Термин "электроинструмент" в предупреждениях относится ко всему инструменту, работающему от сети (с проводом) или на аккумуляторах (без провода).

Меры безопасности при использовании аккумуляторной ударной дрели-шурупверта

1. При использовании ударной дрели используйте средства защиты слуха. Воздействие шума может привести к потере слуха.
2. Используйте дополнительную ручку (если входит в комплект инструмента). Утрата контроля над инструментом может привести к травме.
3. Если при выполнении работ существует риск контакта режущего инструмента со скрытой электропроводкой, держите электроинструмент за специально предназначенные изолированные поверхности. Контакт с проводом под напряжением приведет к тому, что металлические детали инструмента также будут под напряжением, что приведет к поражению оператора электрическим током.

4. Если при выполнении работ существует риск контакта инструмента со скрытой электропроводкой, держите электроинструмент за специально предназначенные изолированные поверхности. Контакт с проводом под напряжением приведет к тому, что металлические детали инструмента также будут под напряжением, что приведет к поражению оператора электрическим током.
5. При выполнении работ всегда занимайте устойчивое положение. При использовании инструмента на высоте убедитесь в отсутствии людей внизу.
6. Крепко держите инструмент.
7. Руки должны находиться на расстоянии от вращающихся деталей.
8. Не оставляйте работающий инструмент без присмотра. Включайте инструмент только тогда, когда он находится в руках.
9. Сразу после окончания работ не прикасайтесь к головке или детали. Они могут быть очень горячими, что приведет к ожогам кожи.
10. Некоторые материалы могут содержать токсичные химические вещества. Примите соответствующие меры предосторожности, чтобы избежать вдыхания или контакта с кожей таких веществ. Соблюдайте требования, указанные в паспорте безопасности материала.
11. Если головку сверла не удается ослабить даже с помощью открывания зажимов, воспользуйтесь плоскогубцами, чтобы вытянуть ее. Вытягивание головки сверла вручную может привести к травмированию ее острой кромкой.

СОХРАНИТЕ ДАННЫЕ ИНСТРУКЦИИ.

⚠ОСТОРОЖНО: НЕ ДОПУСКАЙТЕ, чтобы удобство или опыт эксплуатации данного устройства (полученный от многократного использования) доминировали над строгим соблюдением правил техники безопасности при обращении с этим устройством. НЕПРАВИЛЬНОЕ ИСПОЛЬЗОВАНИЕ инструмента или несоблюдение правил техники безопасности, указанных в данном руководстве, может привести к тяжелой травме.

Важные правила техники безопасности для работы с аккумуляторным блоком

1. Перед использованием аккумуляторного блока прочтите все инструкции и предупреждающие надписи на (1) зарядном устройстве, (2) аккумуляторном блоке и (3) инструменте, работающем от аккумуляторного блока.
2. Не разбирайте аккумуляторный блок.
3. Если время работы аккумуляторного блока значительно сократилось, немедленно прекратите работу. В противном случае, может возникнуть перегрев блока, что приведет к ожогам и даже к взрыву.
4. В случае попадания электролита в глаза промойте их обильным количеством чистой воды и немедленно обратитесь к врачу. Это может привести к потере зрения.

5. Не замыкайте контакты аккумуляторного блока между собой:
 - (1) Не прикасайтесь к контактам какими-либо токопроводящими предметами.
 - (2) Не храните аккумуляторный блок в контейнере вместе с другими металлическими предметами, такими как гвозди, монеты и т. п.
 - (3) Не допускайте попадания на аккумуляторный блок воды или дождя.

Замыкание контактов аккумуляторного блока между собой может привести к возникновению большого тока, перегреву, возможному ожогу и даже поломке блока.

6. Не храните инструмент и аккумуляторный блок в местах, где температура может достигать или превышать 50 °C (122 °F).
7. Не бросайте аккумуляторный блок в огонь, даже если он сильно поврежден или полностью вышел из строя. Аккумуляторный блок может взорваться под действием огня.
8. Не роняйте и не ударяйте аккумуляторный блок.
9. Не используйте поврежденный аккумуляторный блок.
10. Входящие в комплект литий-ионные аккумуляторы должны эксплуатироваться в соответствии с требованиями законодательства об опасных товарах.

При коммерческой транспортировке, например, третьей стороной или экспедитором, необходимо нанести на упаковку специальные предупреждения и маркировку.

В процессе подготовки устройства к отправке обязательно проконсультируйтесь со специалистом по опасным материалам. Также соблюдайте местные требования и нормы. Они могут быть строже.

Закройте или закрепите разомкнутые контакты и упакуйте аккумулятор так, чтобы он не перемещался по упаковке.

11. Выполняйте требования местного законодательства относительно утилизации аккумуляторного блока.
12. Используйте аккумуляторы только с продукцией, указанной Makita. Установка аккумуляторов на продукцию, не соответствующую требованиям, может привести к пожару, перегреву, взрыву или утечке электролита.

СОХРАНИТЕ ДАННЫЕ ИНСТРУКЦИИ.

ВНИМАНИЕ: Используйте только фирменные аккумуляторные батареи Makita. Использование аккумуляторных батарей, не произведенных Makita, или батарей, которые были подвергнуты модификациям, может привести к взрыву аккумулятора, пожару, травмам и повреждению имущества. Это также автоматически аннулирует гарантию Makita на инструмент и зарядное устройство Makita.

Советы по обеспечению максимального срока службы аккумулятора

1. Заряжайте блок аккумуляторов перед его полной разрядкой. Обязательно прекратите работу с инструментом и зарядите блок аккумуляторов, если вы заметили снижение мощности инструмента.
2. Никогда не подзаряжайте полностью заряженный блок аккумуляторов. Перезарядка сокращает срок службы аккумулятора.
3. Заряжайте блок аккумуляторов при комнатной температуре в 10 - 40 °C (50 - 104 °F). Перед зарядкой горячего блока аккумуляторов дайте ему остыть.

ОПИСАНИЕ РАБОТЫ

ВНИМАНИЕ: Перед регулировкой или проверкой функций инструмента обязательно убедитесь, что он выключен и его аккумуляторный блок снят.

Установка или снятие блока аккумуляторов

ВНИМАНИЕ: Обязательно выключайте инструмент перед установкой и извлечением аккумуляторного блока.

ВНИМАНИЕ: При установке и извлечении аккумуляторного блока крепко удерживайте инструмент и аккумуляторный блок. Если не соблюдать это требование, они могут выскользнуть из рук, что приведет к повреждению инструмента, аккумуляторного блока и травмированию оператора.

► **Рис.1:** 1. Красный индикатор 2. Кнопка 3. Блок аккумулятора

Для снятия аккумуляторного блока нажмите кнопку на лицевой стороне и извлеките блок.

Для установки аккумуляторного блока совместите выступ аккумуляторного блока с пазом в корпусе и задвиньте его на место. Установливайте блок до упора так, чтобы он зафиксировался на месте с небольшим щелчком. Если вы можете видеть красный индикатор на верхней части клавиши, адаптер аккумулятора не полностью установлен на месте.

ВНИМАНИЕ: Обязательно устанавливайте аккумуляторный блок до конца, чтобы красный индикатор не был виден. В противном случае аккумуляторный блок может выпасть из инструмента и нанести травму вам или другим людям.

ВНИМАНИЕ: Не прилагайте чрезмерных усилий при установке аккумуляторного блока. Если блок не двигается свободно, значит он вставлен неправильно.

Система защиты аккумулятора

На инструменте предусмотрена система защиты аккумулятора. Она автоматически отключает питание двигателя для продления срока службы аккумулятора. Инструмент автоматически остановится во время работы при возникновении указанных ниже ситуаций.

Перегрузка:

Из-за способа эксплуатации инструмент потребляет очень большое количество тока.

В этом случае выключите инструмент и прекратите работу, повлекая перегрузку инструмента. Затем включите инструмент для перезапуска.

Если инструмент не включается, значит перегрелся аккумуляторный блок. В этом случае дайте аккумулятору остыть перед повторным включением инструмента.

Низкое напряжение аккумуляторной батареи:




Уровень оставшейся емкости аккумулятора слишком низкий, и инструмент не работает. При включении инструмента электродвигатель запускается и вскоре останавливается. В этом случае снимите и зарядите аккумулятор.

Индикация оставшегося заряда аккумулятора

Только для блоков аккумулятора с индикатором

► Рис.2: 1. Индикаторы 2. Кнопка проверки

Нажмите кнопку проверки на аккумуляторном блоке для проверки заряда. Индикаторы загорятся на несколько секунд.

Индикаторы		Уровень заряда
Горит	Выкл.	
		от 75 до 100%
		от 50 до 75%
		от 25 до 50%
		от 0 до 25%

ПРИМЕЧАНИЕ: В зависимости от условий эксплуатации и температуры окружающего воздуха индикация может незначительно отличаться от фактического значения.

Действие выключателя

► Рис.3: 1. Триггерный переключатель

ВНИМАНИЕ: Перед установкой аккумуляторного блока в инструмент обязательно убедитесь, что его триггерный переключатель нормально работает и возвращается в положение "OFF" (ВЫКЛ) при отпускании.

Для запуска инструмента просто нажмите на триггерный переключатель. Для увеличения числа оборотов нажмите триггерный переключатель сильнее. Отпустите триггерный переключатель для остановки.

Включение передней лампы

► Рис.4: 1. Лампа

ВНИМАНИЕ: Не смотрите непосредственно на свет или источник света.

Лампа продолжает гореть, пока нажат триггерный переключатель. Лампа будет светиться до тех пор, пока нажат триггерный переключатель. Лампа гаснет примерно через 10 секунд после отпущения триггерного переключателя.

ПРИМЕЧАНИЕ: Для удаления пыли с линзы лампы используйте сухую ткань. Не допускайте возникновения царапин на линзе лампы, так как это приведет к снижению освещенности.

Действие реверсивного переключателя

► Рис.5: 1. Рычаг реверсивного переключателя

ВНИМАНИЕ: Перед работой всегда проверяйте направление вращения.

ВНИМАНИЕ: Используйте реверсивный переключатель только после полной остановки инструмента. Изменение направления вращения до полной остановки инструмента может привести к его повреждению.

ВНИМАНИЕ: Если инструмент не используется, обязательно переведите рычаг реверсивного переключателя в нейтральное положение.

Этот инструмент оборудован реверсивным переключателем для изменения направления вращения. Нажмите на рычаг реверсивного переключателя со стороны А для вращения по часовой стрелке или со стороны В для вращения против часовой стрелки. Когда рычаг реверсивного переключателя находится в нейтральном положении, триггерный переключатель нажать нельзя.

Изменение скорости

► Рис.6: 1. Рычаг изменения скорости

ВНИМАНИЕ: Всегда устанавливайте рычаг изменения скорости в правильное положение до конца. Если Вы работаете с инструментом, а рычаг изменения скорости находится посередине между обозначениями "1" и "2", это может привести к повреждению инструмента.

ВНИМАНИЕ: Не используйте рычаг изменения скорости при работающем инструменте. Это может привести к повреждению инструмента.



Положение рычага переключения скорости	Скорость	Крутящий момент	Допустимые работы
1	Низкая	Высокая	Работа с высокой нагрузкой
2	Высокая	Низкая	Работа с малой нагрузкой

Для изменения скорости работы сначала выключите инструмент. Выберите положение "2" для высоких оборотов или положение "1" для низких оборотов с высоким крутящим моментом. Перед началом работ убедитесь в правильном положении рычага переключения скорости.

Если обороты инструмента значительно снизились во время работы в положении "2", переведите рычаг в положение "1" и продолжите работу.




Выбор режима действия

▲ ВНИМАНИЕ: Всегда полностью поворачивайте кольцо до отметки нужного режима. Если вы будете работать с инструментом, а кольцо при этом будет находиться посередине между отметками режимов, это может привести к повреждению инструмента.

▲ ВНИМАНИЕ: При изменении положения из режима "  " в другие режимы перемещение кольца изменения режима работы может быть затруднительным. В этом случае включите инструмент и дайте ему поработать в течение секунды в положении "  ", после чего остановите инструмент и затем сдвиньте переключатель в желаемое положение.

- **Рис.7:** 1. Кольцо изменения режима работы
2. Регулировочное кольцо 3. Градуировка
4. Стрелка

Данный инструмент предусматривает три режима работы.

-  Режим сверла (только вращение)
-  Режим перфоратора (вращение с ударом)
-  Режим шуруповерта (вращение с проскальзыванием муфты)

Выберите режим, соответствующий типу выполняемых работ. Поверните кольцо изменения режима работы и совместите выбранную отметку со стрелкой на корпусе инструмента.

Регулировка крутящего момента затяжки

- **Рис.8:** 1. Кольцо изменения режима работы
2. Регулировочное кольцо 3. Градуировка
4. Стрелка

Крутящий момент затяжки настраивается поворотом регулировочного кольца (предусмотрено 20 положение). Совместите градуировку со стрелкой на корпусе инструмента. Минимальному крутящему моменту затяжки соответствует положение 1, а максимальному – 20.

Перед выполнением работы закрутите пробный болт в ваш материал или деталь из такого материала для определения необходимого крутящего момента для данного конкретного применения. Ниже приводятся ориентировочные данные о зависимости между размером шурупа и градуировкой.

Градуировка		1	2	3	4	5	6	7	8	9	10	11	12	13	14	15	16	17	18	19	20
Мелкий крепежный винт		M4								M5								M6			
Шуруп	Мягкое дерево (например, сосна)	–										φ3,5 x 22					φ4,1 x 38				
	Твердое дерево (например, диптерокарп)	–										φ3,5 x 22					–				
		–															φ4,1 x 38				

СБОРКА

⚠ ВНИМАНИЕ: Перед проведением каких-либо работ с инструментом обязательно убедитесь, что инструмент отключен, а блок аккумулятора снят.

Установка или снятие насадки для отвертки или головки сверла

Дополнительные принадлежности

► Рис.9: 1. Муфта 2. Закрыть 3. Открыть

Поверните муфту против часовой стрелки для открытия кулачков зажимного патрона. Вставьте насадку для отвертки или головку сверла в зажимной патрон как можно глубже. Поверните муфту по часовой стрелке для затяжки патрона. Для снятия насадки/головки поверните муфту против часовой стрелки.

Установка крючка

⚠ ВНИМАНИЕ: При установке крючка надежно фиксируйте его винтом. В противном случае крючок может отсоединиться от инструмента, что может привести к травме.

► Рис.10: 1. Паз 2. Крючок 3. Винт

Крючок удобен для временного подвешивания инструмента. Он может быть установлен с любой стороны инструмента. Для установки крючка вставьте его в паз в корпусе инструмента с одной из сторон и закрепите при помощи винта. Чтобы снять крючок, необходимо сначала отвернуть винт.

Порядок установки держателя насадок для отвертки

Дополнительные принадлежности

► Рис.11: 1. Держатель насадок для отвертки 2. Насадка для отвертки

Установите держатель насадок в выступ на основании инструмента с правой или левой стороны и закрепите его при помощи винта.

Если насадки для отвертки не используются, храните их в специальных держателях. Здесь могут храниться насадки длиной до 45 мм.

ЭКСПЛУАТАЦИЯ

⚠ ВНИМАНИЕ: Всегда устанавливайте блок аккумулятора до упора так, чтобы он зафиксировался на месте. Если вы можете видеть красный индикатор на верхней части клавиши, блок аккумулятора не полностью установлен на месте. Установите его до конца так, чтобы красный индикатор был не виден. В противном случае блок может выпасть из инструмента и нанести травму вам или другим людям.

⚠ ВНИМАНИЕ: В случае значительного снижения оборотов уменьшите нагрузку или остановите инструмент во избежание его повреждения.


Для управления выдалбливающим действием инструмента крепко держите его одной рукой за ручку, а другой - за нижнюю часть блока аккумуляторной батареи.

► Рис.12

Работа в режиме шуруповерта

⚠ ВНИМАНИЕ: Установите регулировочное кольцо на соответствующий уровень крутящего момента для вашей работы.

⚠ ВНИМАНИЕ: Следите за тем, чтобы насадка для отвертки вставлялась прямо в головку винта, иначе можно повредить винт и/или насадку.


Сначала поверните кольцо изменения режима действия, чтобы стрелка на корпусе инструмента указывала на отметку .

Установите конец насадки в головку шурупа и надавите инструмент к шурупу. Включите инструмент на медленной скорости и затем постепенно увеличивайте ее. Отпустите триггерный переключатель, как только сработает сцепление.

ПРИМЕЧАНИЕ: При закручивании шурупов в дерево предварительно просверлите направляющее отверстие, диаметр которого равен 2/3 диаметра шурупа. Это облегчит закручивание шурупа и предотвратит возникновение трещин в детали.

Сверление с ударным действием

⚠ ВНИМАНИЕ: При ударе о стержневую арматуру, залитую в бетон, при засорении отверстия щепой и частицами или в случае, когда просверливаемое отверстие становится сквозным, на инструмент/головку сверла воздействует значительная мгновенная сила скручивания.

Сначала поверните кольцо изменения режима действия, чтобы стрелка на корпусе инструмента указывала на отметку . Регулировочное кольцо можно совместить с любыми уровнями крутящего момента для такой работы.

Используйте сверло с головкой из карбида вольфрама.

Расположите головку сверла в желаемом положении в отверстии, затем нажмите триггерный переключатель. Не прилагайте излишних усилий к инструменту. Небольшое усилие на инструмент приводит к лучшим результатам. Удерживайте инструмент на месте и не допускайте его соскальзывания с места выполнения отверстия.

Не применяйте дополнительное давление, если отверстие засорено щепками или посторонними частицами. Вместо этого дайте инструменту поработать вхолостую и затем частично вытащите головку сверла из отверстия. Если эту процедуру проделать несколько раз, отверстие очистится и можно будет возобновить обычное сверление.


Груша для продувки

Дополнительные принадлежности

► Рис.13: 1. Груша для продувки

После сверления отверстия воспользуйтесь грушей для продувки, чтобы удалить пыль из отверстия.

Сверление

Сначала поверните регулировочное кольцо, чтобы совместить указатель со стрелкой . Затем действуйте следующим образом.

Сверление дерева

При сверлении дерева наилучшие результаты достигаются с применением сверл для дерева с направляющим винтом. Направляющий винт упрощает сверление, удерживая головку сверла в обрабатываемой детали.

Сверление металла

Для предотвращения скольжения сверла при начале сверления сделайте углубление с помощью кернера и молотка в точке сверления. Вставьте острие головки сверла в углубление и начните сверление. При сверлении металлов пользуйтесь смазочно-охлаждающей жидкостью. Исключение составляют железо и латунь, которые надо сверлить насухо.

⚠ВНИМАНИЕ: Чрезмерное нажатие на инструмент не ускорит сверление. На самом деле, чрезмерное давление только повредит наконечник головки сверла, снизит производительность инструмента и сократит срок его службы.

⚠ВНИМАНИЕ: Крепко удерживайте инструмент и будьте осторожны, когда головка сверла начинает проходить сквозь обрабатываемую деталь. В момент выхода головки сверла из детали возникает огромное усилие на инструмент/сверло.


⚠ВНИМАНИЕ: Заклинившая головка сверла может быть без проблем извлечена из обрабатываемой детали путем изменения направления вращения при помощи реверсивного переключателя. Однако если вы не будете крепко держать инструмент, он может резко сдвинуться назад.

⚠ВНИМАНИЕ: Всегда закрепляйте обрабатываемые детали в тисках или аналогичном зажимном устройстве.

⚠ВНИМАНИЕ: Если инструмент эксплуатировался непрерывно до разряда блока аккумулятора, сделайте перерыв на 15 минут перед началом работы с заряженным аккумулятором.

Использование инструмента в качестве ручной отвертки

► Рис.14

Выключите инструмент. Переведите рычаг реверсивного переключателя в нейтральное положение. Поверните кольцо измерения режима работы, чтобы совместить указатель с отметкой . Поворачивайте инструмент.

ПРИМЕЧАНИЕ: Такое использование удобно для проверки затяжки шурупов.

ПРИМЕЧАНИЕ: Не используйте инструмент при работах, связанных с перегрузками (затягивание болтов или выкручивание заржавевших винтов).

Использование кобуры

Дополнительные принадлежности

⚠ВНИМАНИЕ: При использовании кобуры снимите насадку для отвертки/головку сверла с инструмента.

⚠ВНИМАНИЕ: Перед тем, как положить инструмент в кобур, выключите его и дождитесь полной остановки.

Убедитесь, что кобура прочно закрыта (используйте соответствующую кнопку) и инструмент зафиксирован.

1. Проденьте поясной ремень или его аналог через держатель кобуры.

► Рис.15: 1. Держатель кобуры 2. Поясной ремень

2. Положите инструмент в кобур и закройте его с помощью кнопки на кобуре.

► Рис.16

► Рис.17

В передней части кобуры могут храниться две насадки для отвертки.

ОБСЛУЖИВАНИЕ

⚠ВНИМАНИЕ: Перед проведением проверки или работ по техобслуживанию всегда проверяйте, что инструмент выключен, а блок аккумулятора снят.

ПРИМЕЧАНИЕ: Запрещается использовать бензин, растворители, спирт и другие подобные жидкости. Это может привести к обесцвечиванию, деформации и трещинам.

Для обеспечения БЕЗОПАСНОСТИ и НАДЕЖНОСТИ оборудования ремонт, любое другое техобслуживание или регулировку необходимо производить в уполномоченных сервис-центрах Makita или сервис-центрах предприятия с использованием только сменных частей производства Makita.

ДОПОЛНИТЕЛЬНЫЕ ПРИНАДЛЕЖНОСТИ

⚠ВНИМАНИЕ: Данные принадлежности или приспособления рекомендуются для использования с инструментом Makita, указанным в настоящем руководстве. Использование других принадлежностей или приспособлений может привести к получению травмы. Используйте принадлежность или приспособление только по указанному назначению.

Если вам необходимо содействие в получении дополнительной информации по этим принадлежностям, свяжитесь с вашим сервис-центром Makita.

- Головки сверл
- Насадки для отвертки
- Гнездовые биты
- Головка сверла с наконечником из карбида вольфрама
- Груша для продувки
- Держатель насадок для отвертки
- Крючок
- Кобура
- Оригинальный аккумулятор и зарядное устройство Makita

ПРИМЕЧАНИЕ: Некоторые элементы списка могут входить в комплект инструмента в качестве стандартных приспособлений. Они могут отличаться в зависимости от страны.

Makita Europe N.V. Jan-Baptist Vinkstraat 2,
3070 Kortenberg, Belgium

Makita Corporation 3-11-8, Sumiyoshi-cho,
Anjo, Aichi 446-8502 Japan

www.makita.com

885671-987
EN, SV, NO, FI, LV,
LT, ET, RU
20180809