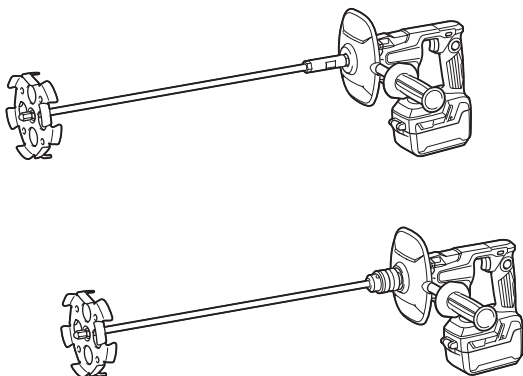




EN	Cordless Mixer	INSTRUCTION MANUAL	5
SV	Batteridreven omrörare	BRUKSANVISNING	11
NO	Batteridreven blander	BRUKSANVISNING	17
FI	Akkusekoitin	KÄYTTÖOHJE	23
LV	Akumulatora maisītājs	LIETOŠANAS INSTRUKCIJA	28
LT	Akumulatorinis maišytuvas	NAUDOJIMO INSTRUKCIJA	34
ET	Juhtmeta mikser	KASUTUSJUHEND	40
RU	Аккумуляторный Миксер	РУКОВОДСТВО ПО ЭКСПЛУАТАЦИИ	46

DUT130
DUT131



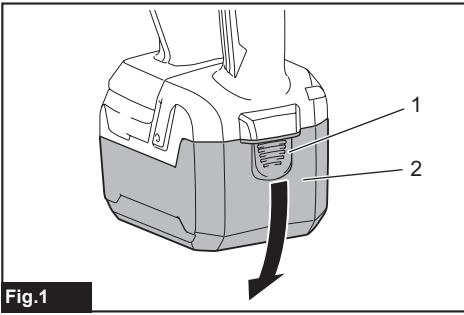


Fig.1

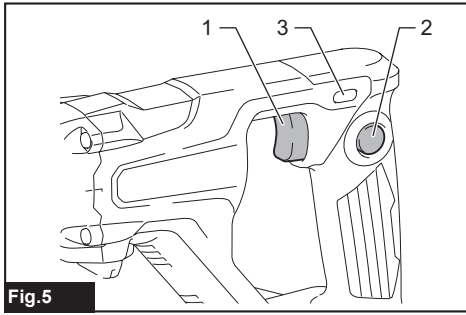


Fig.5

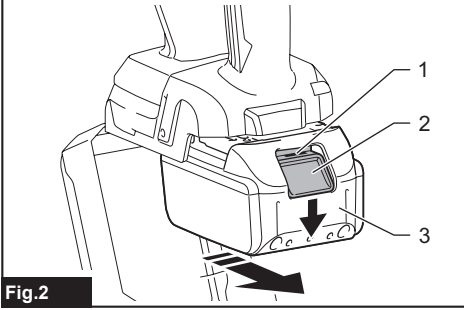


Fig.2

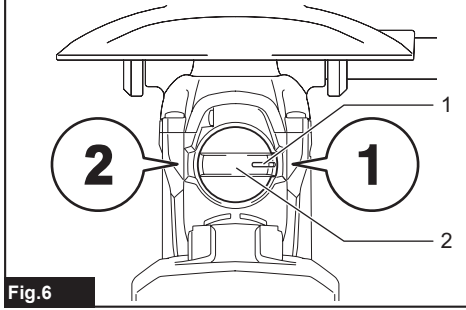


Fig.6

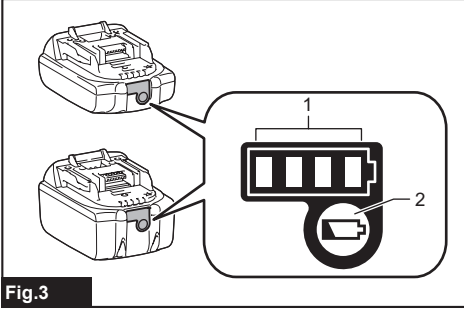


Fig.3

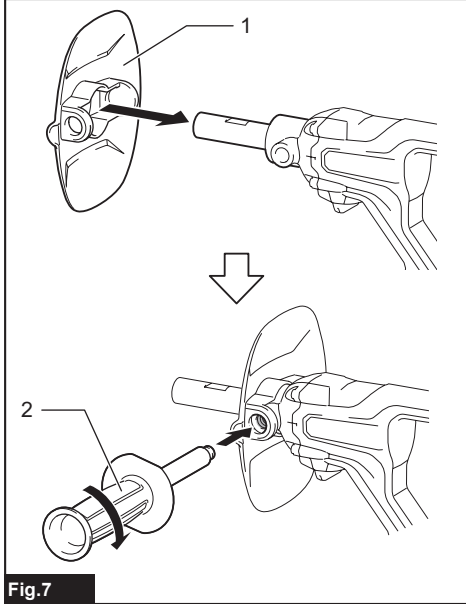


Fig.7

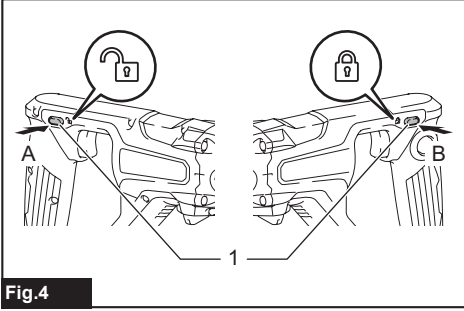


Fig.4

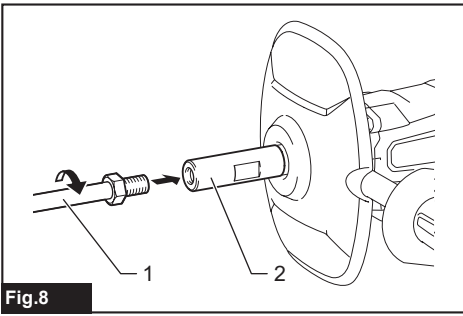


Fig.8

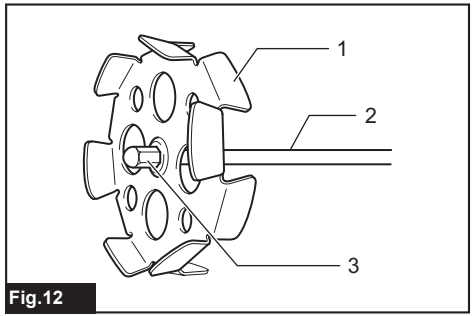


Fig.12

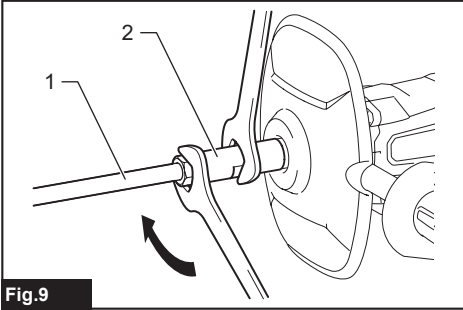


Fig.9

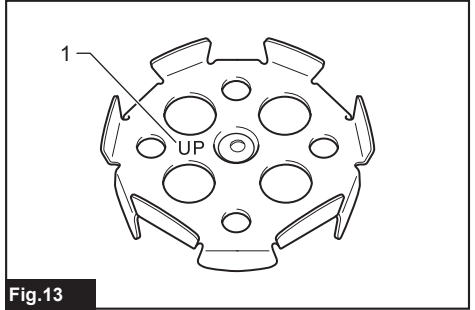


Fig.13

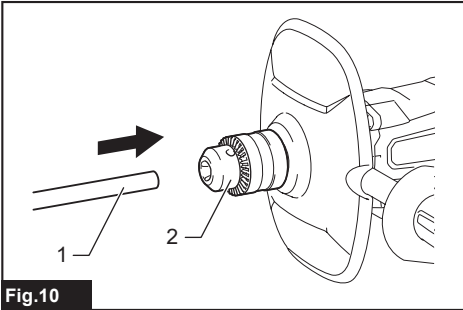


Fig.10

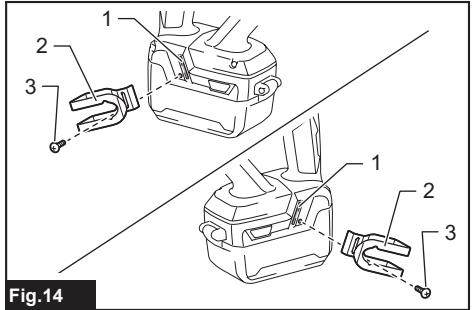


Fig.14

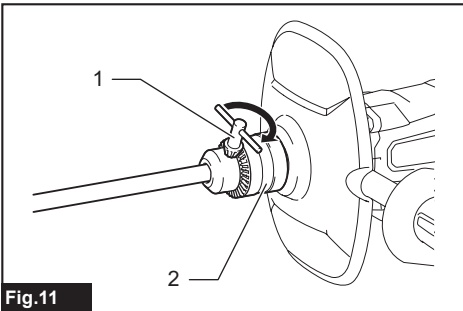


Fig.11

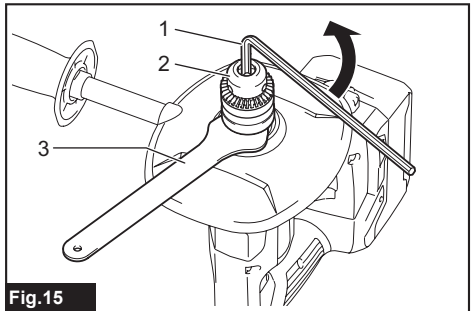


Fig.15

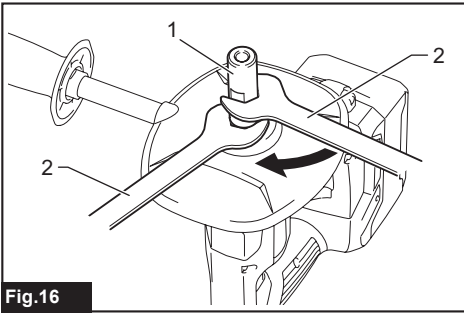


Fig.16

SPECIFICATIONS

Model:		DUT130	DUT131
No load speed	High speed	0 - 1,300 min ⁻¹	
	Low speed	0 - 350 min ⁻¹	
Maximum mixing blade diameter		165 mm	
Overall length (without shaft and mixing blade)		320 mm	307 mm
Rated voltage		D.C. 18 V	
Net weight		2.5 - 2.8 kg	2.7 - 3.0 kg

- Due to our continuing program of research and development, the specifications herein are subject to change without notice.
- Specifications and battery cartridge may differ from country to country.
- The weight may differ depending on the attachment(s), including the battery cartridge. The lightest and heaviest combination, according to EPTA-Procedure 01/2014, are shown in the table.

Applicable battery cartridge and charger

Battery cartridge	BL1815N / BL1820 / BL1820B / BL1830 / BL1830B / BL1840 / BL1840B / BL1850 / BL1850B / BL1860B
Charger	DC18RC / DC18RD / DC18RE / DC18SD / DC18SE / DC18SF

- Some of the battery cartridges and chargers listed above may not be available depending on your region of residence.

⚠ WARNING: Only use the battery cartridges and chargers listed above. Use of any other battery cartridges and chargers may cause injury and/or fire.

Symbols

The followings show the symbols used for the equipment. Be sure that you understand their meaning before use.



Read instruction manual.



Do not use the tool in the rain.



Do not clean the tool with water.



Only for EU countries
Do not dispose of electric equipment or battery pack together with household waste material!
In observance of the European Directives, on Waste Electric and Electronic Equipment and Batteries and Accumulators and Waste Batteries and Accumulators and their implementation in accordance with national laws, electric equipment and batteries and battery pack(s) that have reached the end of their life must be collected separately and returned to an environmentally compatible recycling facility.

Intended use

The tool is intended for mixing wall materials, etc. (except flammable materials).

Noise

The typical A-weighted noise level determined according to EN60745-2-1:

Model DUT130

Sound pressure level (L_{pA}) : 74 dB(A)

Uncertainty (K) : 3 dB(A)

Model DUT131

Sound pressure level (L_{pA}) : 74 dB(A)

Uncertainty (K) : 3 dB(A)

The noise level under working may exceed 80 dB (A).

NOTE: The declared noise emission value(s) has been measured in accordance with a standard test method and may be used for comparing one tool with another.

NOTE: The declared noise emission value(s) may also be used in a preliminary assessment of exposure.

⚠ WARNING: Wear ear protection.

⚠ WARNING: The noise emission during actual use of the power tool can differ from the declared value(s) depending on the ways in which the tool is used especially what kind of workpiece is processed.

⚠ WARNING: Be sure to identify safety measures to protect the operator that are based on an estimation of exposure in the actual conditions of use (taking account of all parts of the operating cycle such as the times when the tool is switched off and when it is running idle in addition to the trigger time).

Vibration

The vibration total value (tri-axial vector sum) determined according to EN60745-2-1:

Model DUT130

Work mode: operation without load
Vibration emission (a_{rh}): 2.5 m/s² or less
Uncertainty (K): 1.5 m/s²

Model DUT131

Work mode: operation without load
Vibration emission (a_{rh}): 2.5 m/s² or less
Uncertainty (K): 1.5 m/s²

NOTE: The declared vibration total value(s) has been measured in accordance with a standard test method and may be used for comparing one tool with another.

NOTE: The declared vibration total value(s) may also be used in a preliminary assessment of exposure.

⚠ WARNING: The vibration emission during actual use of the power tool can differ from the declared value(s) depending on the ways in which the tool is used especially what kind of workpiece is processed.

⚠ WARNING: Be sure to identify safety measures to protect the operator that are based on an estimation of exposure in the actual conditions of use (taking account of all parts of the operating cycle such as the times when the tool is switched off and when it is running idle in addition to the trigger time).

EC Declaration of Conformity

For European countries only

The EC declaration of conformity is included as Annex A to this instruction manual.

SAFETY WARNINGS

General power tool safety warnings

⚠ WARNING: Read all safety warnings, instructions, illustrations and specifications provided with this power tool. Failure to follow all instructions listed below may result in electric shock, fire and/or serious injury.

Save all warnings and instructions for future reference.

The term "power tool" in the warnings refers to your mains-operated (corded) power tool or battery-operated (cordless) power tool.

Cordless mixer safety warnings

1. **Hold the tool with both hands at the intended handles.** Loss of control can cause personal injury.
2. **Ensure sufficient ventilation when mixing flammable materials to avoid a hazardous atmosphere.** Developing vapour may be inhaled or be ignited by the sparks the power tool produces.

3. **Do not mix food.** Power tools and their accessories are not designed for processing food.
4. **Ensure that the mixing container is placed in a firm and secure position.** A container that is not properly secured may move unexpectedly.
5. **Follow the instructions and warnings for the material to be mixed.** Material to be mixed may be harmful.
6. **Do not reach into the mixing container with your hands or insert any other objects into it while mixing.** Contact with the mixer blade may lead to serious personal injury.
7. **Start up and run down the tool in the mixing container only.** The mixer blade may bend or spin in an uncontrolled manner.
8. **Ensure that no liquid splashes against the housing of the power tool.** Liquid that has penetrated the power tool can cause damage to the tool.
9. **Use auxiliary handles, if supplied with the tool.** Loss of control may cause personal injury.
10. **Hold power tool by insulated gripping surfaces, when performing an operation where the cutting accessory may contact hidden wiring.** Cutting accessory contacting a "live" wire may make exposed metal parts of the power tool "live" and could give the operator an electric shock.
11. **Always be sure you have a firm footing. Be sure no one is below when using the tool in high locations.**
12. **Hold the tool firmly.**
13. **Keep hands away from rotating parts.**
14. **Do not leave the tool running. Operate the tool only when you are holding it.**
15. **Some materials contain chemicals which may be toxic. Take caution to prevent dust inhalation and skin contact. Follow safety warnings by supplier of the material.**
16. **When performing the mixing operation, place the mixing container on a flat and stable surface.**

SAVE THESE INSTRUCTIONS.

⚠ WARNING: DO NOT let comfort or familiarity with product (gained from repeated use) replace strict adherence to safety rules for the subject product. MISUSE or failure to follow the safety rules stated in this instruction manual may cause serious personal injury.

Important safety instructions for battery cartridge

1. **Before using battery cartridge, read all instructions and cautionary markings on (1) battery charger, (2) battery, and (3) product using battery.**
2. **Do not disassemble battery cartridge.**
3. **If operating time has become excessively shorter, stop operating immediately. It may result in a risk of overheating, possible burns and even an explosion.**
4. **If electrolyte gets into your eyes, rinse them out with clear water and seek medical attention right away. It may result in loss of your eyesight.**

5. **Do not short the battery cartridge:**
 - (1) **Do not touch the terminals with any conductive material.**
 - (2) **Avoid storing battery cartridge in a container with other metal objects such as nails, coins, etc.**
 - (3) **Do not expose battery cartridge to water or rain.**

A battery short can cause a large current flow, overheating, possible burns and even a breakdown.

6. **Do not store the tool and battery cartridge in locations where the temperature may reach or exceed 50 °C (122 °F).**
7. **Do not incinerate the battery cartridge even if it is severely damaged or is completely worn out. The battery cartridge can explode in a fire.**
8. **Be careful not to drop or strike battery.**
9. **Do not use a damaged battery.**
10. **The contained lithium-ion batteries are subject to the Dangerous Goods Legislation requirements.**

For commercial transports e.g. by third parties, forwarding agents, special requirement on packaging and labeling must be observed. For preparation of the item being shipped, consulting an expert for hazardous material is required. Please also observe possibly more detailed national regulations.

Tape or mask off open contacts and pack up the battery in such a manner that it cannot move around in the packaging.

11. **Follow your local regulations relating to disposal of battery.**
12. **Use the batteries only with the products specified by Makita.** Installing the batteries to non-compliant products may result in a fire, excessive heat, explosion, or leak of electrolyte.

SAVE THESE INSTRUCTIONS.

CAUTION: Only use genuine Makita batteries. Use of non-genuine Makita batteries, or batteries that have been altered, may result in the battery bursting causing fires, personal injury and damage. It will also void the Makita warranty for the Makita tool and charger.

Tips for maintaining maximum battery life

1. **Charge the battery cartridge before completely discharged. Always stop tool operation and charge the battery cartridge when you notice less tool power.**
2. **Never recharge a fully charged battery cartridge. Overcharging shortens the battery service life.**
3. **Charge the battery cartridge with room temperature at 10 °C - 40 °C (50 °F - 104 °F). Let a hot battery cartridge cool down before charging it.**
4. **Charge the battery cartridge if you do not use it for a long period (more than six months).**

FUNCTIONAL DESCRIPTION

CAUTION: Always be sure that the tool is switched off and the battery cartridge is removed before adjusting or checking function on the tool.

Installing or removing battery cartridge

CAUTION: Always switch off the tool before installing or removing of the battery cartridge.

CAUTION: Hold the tool and the battery cartridge firmly when installing or removing battery cartridge. Failure to hold the tool and the battery cartridge firmly may cause them to slip off your hands and result in damage to the tool and battery cartridge and a personal injury.

CAUTION: Do not use this tool with the battery adapter. If you connect the battery adapter to the tool, the battery cover cannot be closed, and using the tool with battery cover opened may cause an injury.

Open the battery cover while pressing the button on the battery cover.

► **Fig.1:** 1. Button 2. Battery cover

To remove the battery cartridge, slide it from the tool while sliding the button on the front of the cartridge.

► **Fig.2:** 1. Red indicator 2. Button 3. Battery cartridge

To install the battery cartridge, align the tongue on the battery cartridge with the groove in the housing and slip it into place. Insert it all the way until it locks in place with a little click. If you can see the red indicator on the upper side of the button, it is not locked completely.

After installing the battery cartridge, close the battery cover securely.

CAUTION: Always install the battery cartridge fully until the red indicator cannot be seen. If not, it may accidentally fall out of the tool, causing injury to you or someone around you.

CAUTION: Do not install the battery cartridge forcibly. If the cartridge does not slide in easily, it is not being inserted correctly.

Indicating the remaining battery capacity

Only for battery cartridges with the indicator

► Fig.3: 1. Indicator lamps 2. Check button

Press the check button on the battery cartridge to indicate the remaining battery capacity. The indicator lamps light up for a few seconds.

Indicator lamps			Remaining capacity
Lighted	Off	Blinking	
■	□	▧	75% to 100%
■	■	■	
■	■	□	
■	■	□	
■	□	□	25% to 50%
■	□	□	0% to 25%
▧	□	□	Charge the battery.
■	■	□	The battery may have malfunctioned.
□	□	■	

NOTE: Depending on the conditions of use and the ambient temperature, the indication may differ slightly from the actual capacity.

Tool / battery protection system

The tool is equipped with a tool/battery protection system. This system automatically cuts off power to the motor to extend tool and battery life. The tool will automatically stop during operation if the tool or battery is placed under one of the following conditions:

Overload protection

When the tool or battery is operated in a manner that causes it to draw an abnormally high current, the tool automatically stops without any indication. In this situation, turn the tool off and stop the application that caused the tool to become overloaded. Then turn the tool on to restart.

Overheat protection

When the tool or battery is overheated, the tool stops automatically. In this case, let the tool and battery cool before turning the tool on again.

Overdischarge protection


When the battery capacity is not enough, the tool stops automatically. In this case, remove the battery from the tool and charge the battery.

Switch action

CAUTION: Before installing the battery cartridge into the tool, always check to see that the switch trigger actuates properly and returns to the "OFF" position when released.



CAUTION: Switch can be locked in "ON" position for ease of operator comfort during extended use. Apply caution when locking tool in "ON" position and maintain firm grasp on tool.

CAUTION: Do not install the battery cartridge with the lock button engaged.

CAUTION: When not operating the tool, depress the trigger-lock button from  side to lock the switch trigger in the OFF position.

► Fig.4: 1. Trigger-lock button

► Fig.5: 1. Switch trigger 2. Lock button 3. Trigger-lock button

To prevent the switch trigger from accidentally pulled, the trigger-lock button is provided. To start the tool, depress the trigger-lock button from A () side and pull the switch trigger. Tool speed is increased by increasing pressure on the switch trigger. Release the switch trigger to stop. After use, depress the trigger-lock button from B () side.

For continuous operation, depress the lock button while pulling the switch trigger, and then release the switch trigger. To stop the tool, pull the switch trigger fully, then release it.

Speed change

NOTICE: Use the speed change knob only after the tool comes to a complete stop. Changing the tool speed before the tool stops may damage the tool.

NOTICE: Always set the speed change knob carefully into the correct position. If you operate the tool with the speed change knob positioned halfway between the position 1 and the position 2, the tool may be damaged.

NOTICE: If the rotation speed significantly decreases during operation in the high speed mode, stop the tool and change the mode to the low speed mode. Otherwise, the motor may get overloaded and cause a malfunction or fire.

Two speed ranges can be preselected with the speed change knob.

To change the speed, turn the speed change knob so that the pointer points to the position 1 for low speed or the position 2 for high speed.

► Fig.6: 1. Pointer 2. Speed change knob

Accidental restart preventive function

If you install the battery cartridge while pulling the switch trigger or locking the switch trigger, the tool does not start. To start the tool, release the switch trigger, and then pull the switch trigger.

Electronic function

The tool is equipped with the electronic functions for easy operation.

- Soft start
The soft-start function minimizes start-up shock, and makes the tool start smoothly.

ASSEMBLY

CAUTION: Always be sure that the tool is switched off and the battery cartridge is removed before carrying out any work on the tool.

Installing the front cover and side grip

CAUTION: Tighten the side grip firmly. Otherwise, the front cover may fall and cause an injury.

- Fig.7: 1. Front cover 2. Side grip

Attach the front cover to the tool and screw the side grip on the tool securely.

The side grip can be installed on either side of the tool.

Installing the shaft

Optional accessory

For DUT130

1. Tighten the shaft into the shaft holder.

- Fig.8: 1. Shaft 2. Shaft holder

2. Tighten the shaft with wrench 19 while holding the shaft holder with another wrench 19.

- Fig.9: 1. Shaft 2. Shaft holder

For DUT131

1. Insert the shaft into the chuck as far as it will go.

- Fig.10: 1. Shaft 2. Chuck

2. Tighten the chuck by hand, and then place the chuck key in each of three holes and tighten it clockwise. Be sure to tighten the chuck key at all three holes evenly.

- Fig.11: 1. Chuck key 2. Chuck

To remove the shaft, turn the chuck key counterclockwise at one of the holes, and then loosen the chuck by hand.

Installing the mixing blade

Optional accessory

Attach the mixing blade on the top of the shaft, and then secure it with the hex bolt.

- Fig.12: 1. Mixing blade 2. Shaft 3. Hex bolt

NOTICE: Be sure to attach the mixing blade with "UP" mark facing the tool.

- Fig.13: 1. Mark

Hook

Optional accessory

CAUTION: Always remove the battery when hanging the tool with the hook.

CAUTION: Never hook the tool at high location or on potentially unstable surface.

- Fig.14: 1. Groove 2. Hook 3. Screw

The hook is convenient for temporarily hanging the tool. This can be installed on either side of the tool.

To install the hook, insert it into a groove in the tool housing on either side and then secure it with a screw.

To remove, loosen the screw and then take it out.

Installing or removing the shaft holder

Optional accessory

For DUT131

1. Insert the hex wrench into the chuck, and then loosen the chuck with the hex wrench while holding the spindle with the wrench.

- Fig.15: 1. Hex wrench 2. Chuck 3. Wrench

2. Tighten the shaft holder with a wrench 19 while holding the spindle with another wrench 19.

- Fig.16: 1. Shaft holder 2. Wrench

To remove the shaft holder, perform the installation procedure in reverse.

OPERATION

CAUTION: Do not mix flammable materials or operate the tool around flammable materials such as paint with thinner used as solvent. Failure to do so may cause an injury.

CAUTION: Do not mix high viscosity material, such as mortar or adhesive, in the high speed mode. You may lose the control of the tool and cause an injury.

NOTICE: When you mix the material while the mixing blade floating out of the material, be careful not to splash the material.

1. Select high speed or low speed according to the material to be mixed.
2. Hold the rear handle of the tool with one hand and the grip with the other hand firmly, place the mixing blade under material fully and turn on the tool after making sure work site safety.
3. Move the mixing blade up and down during the mixing operation so that whole part of material can be mixed.
4. When finishing mixing, turn off the tool, make sure that the mixing blade has come to a complete stop, and then pull it out of the mixing container.

MAINTENANCE

⚠ CAUTION: Always be sure that the tool is switched off and the battery cartridge is removed before attempting to perform inspection or maintenance.

NOTICE: Never use gasoline, benzine, thinner, alcohol or the like. Discoloration, deformation or cracks may result.

To maintain product SAFETY and RELIABILITY, repairs, any other maintenance or adjustment should be performed by Makita Authorized or Factory Service Centers, always using Makita replacement parts.

OPTIONAL ACCESSORIES

⚠ CAUTION: These accessories or attachments are recommended for use with your Makita tool specified in this manual. The use of any other accessories or attachments might present a risk of injury to persons. Only use accessory or attachment for its stated purpose.

If you need any assistance for more details regarding these accessories, ask your local Makita Service Center.

- Mixing blade
- Shaft
- Shaft holder
- Hook
- Makita genuine battery and charger

NOTE: Some items in the list may be included in the tool package as standard accessories. They may differ from country to country.

SPECIFIKATIONER

Modell:		DUT130	DUT131
Hastighet utan belastning	Hög hastighet	0 - 1 300 min ⁻¹	
	Låg hastighet	0 - 350 min ⁻¹	
Max. diameter omrörarblad		165 mm	
Total längd (utan skaft och omrörarblad)		320 mm	307 mm
Märkspänning		18 V likström	
Nettovikt		2,5 - 2,8 kg	2,7 - 3,0 kg

- På grund av vårt pågående program för forskning och utveckling kan dessa specifikationer ändras utan föregående meddelande.
- Specifikationer och batterikassett kan variera mellan olika länder.
- Vikten kan variera beroende på tillbehören, inklusive batterikassett. Den lättaste och den tyngsta kombinationen enligt EPTA-procedur 01/2014 visas i tabellen.

Tillgänglig batterikassett och laddare





Batterikassett	BL1815N / BL1820 / BL1820B / BL1830 / BL1830B / BL1840 / BL1840B / BL1850 / BL1850B / BL1860B
Laddare	DC18RC / DC18RD / DC18RE / DC18SD / DC18SE / DC18SF

- Vissa av batterikassetterna och laddarna på listan ovan kanske inte finns tillgängliga i din region.

⚠ VARNING: Använd endast batterikassetter och laddare från listan ovan. Användning av andra batterikassetter och laddare kan orsaka personskada och/eller brand.

Symboler

Följande visar symbolerna som används för utrustningen. Se till att du förstår innebörden innan du använder bormaskinen.

	Läs igenom bruksanvisningen.
	Använd inte maskinen i regn.
	Rengör inte maskinen med vatten.
	Ni-MH Li-ion Gäller endast inom EU Elektrisk utrustning eller batteripaket får inte kastas i hushållsavfallet! Enligt EU-direktiven som avser förbrukad elektrisk och elektronisk utrustning, batterier, ackumulatörer, förbrukade batterier och ackumulatörer, samt direktivens tillämpning enligt nationell lagstiftning, ska uttjänt elektrisk utrustning, batterier och batteripaket sorteras separat och lämnas till miljövänlig återvinning.

Avsedd användning

Maskinen är avsedd för omrörning av väggmaterial etc. (utom brännbara material).

Buller

Den normala bullernivån för A-belastning är bestämd enligt EN60745-2-1:

Model DUT130

Ljudtrycksnivå (L_{pA}): 74 dB (A)
Måttolerans (K): 3 dB (A)

Model DUT131

Ljudtrycksnivå (L_{pA}): 74 dB (A)
Måttolerans (K): 3 dB (A)

Bullernivån vid arbete kan överstiga 80 dB (A).

OBS: Det deklarerade bullervärdet har uppmätts i enlighet med standardtestmetoden och kan användas för jämförandet av en maskin med en annan.

OBS: Det deklarerade bulleremissionsvärdet kan också användas i en preliminär bedömning av exponering för vibration.

⚠ VARNING: Använd hörselskydd.

⚠ VARNING: Bulleremissionen under faktisk användning av maskinen kan skilja sig från det deklarerade värdet, beroende på hur maskinen används och särskilt vilken typ av arbetsstycke som behandlas.

⚠ VARNING: Var noga med att identifiera säkerhetsåtgärder för att skydda användaren, vilka är grundade på en uppskattning av graden av exponering för vibrationer under de faktiska användningsförhållandena, (ta, förutom avtryckartiden, med alla delar av användarcykeln i beräkningen, som till exempel tiden då maskinen är avstängd och när den går på tomgång).

Vibration

Det totala vibrationsvärdet (treaxlad vektorsumma) bestämt enligt EN60745-2-1:

Model DUT130

Arbetsläge: drift utan last
Vibrationsemission (a_{11}): 2,5 m/s² eller lägre
Måttolerans (K): 1,5 m/s²

Model DUT131

Arbetsläge: drift utan last
Vibrationsemission (a_{11}): 2,5 m/s² eller lägre
Måttolerans (K): 1,5 m/s²

OBS: Det deklarerade totala vibrationsvärdet har uppmätts i enlighet med standardtestmetoden och kan användas för jämförandet av en maskin med en annan.

OBS: Det deklarerade totala vibrationsvärdet kan också användas i en preliminär bedömning av exponering för vibration.

⚠ VARNING: Vibrationsemissionen under faktisk användning av maskinen kan skilja sig från det deklarerade värdet, beroende på hur maskinen används och särskilt vilken typ av arbetssytycke som behandlas.

⚠ VARNING: Var noga med att identifiera säkerhetsåtgärder för att skydda användaren, vilka är grundade på en uppskattning av graden av exponering för vibrationer under de faktiska användningsförhållandena, (ta, förutom avtryckartiden, med alla delar av användarcykeln i beräkningen, som till exempel tiden då maskinen är avstängd och när den går på tomgång).

EG-försäkran om överensstämmelse

Gäller endast inom EU

EG-försäkran om överensstämmelse inkluderas som bilaga A till denna bruksanvisning.

SÄKERHETSVARNINGAR

Allmänna säkerhetsvarningar för maskiner

⚠ VARNING: Läs alla säkerhetsvarningar, anvisningar, illustrationer och specifikationer som medföljer det här maskinen. Underlåtenhet att följa instruktionerna kan leda till elstötar, brand och/eller allvarliga personskador.

Spara alla varningar och instruktioner för framtida referens.

Termen "maskin" som anges i varningarna hänvisar till din eldrivna maskin (sladdansluten) eller batteridrivna maskin (sladdlös).

Säkerhetsvarningar för batteridrivna omrörare

1. **Håll maskinen med båda händerna vid de avsedda handtagen.** Om du förlorar kontrollen över maskinen kan det leda till personskador.
2. **Se till att ha tillräcklig ventilation vid omrörning av brandfarliga material för att undvika en farlig atmosfär.** Ångor som bildas kan inandas eller antändas av de gnistor som maskinen producerar.
3. **Blanda inte mat.** Maskiner och deras tillbehör är inte avsedda för bearbetning av livsmedel.
4. **Se till att blandningsbehållaren är placerad på en stadig och säker plats.** En behållare som inte har satts fast på rätt sätt kan flytta sig oväntat.
5. **Följ anvisningarna och varningarna för det material som ska blandas.** Materialet som ska blandas kan vara skadligt.
6. **Stick inte in händerna i blandningsbehållaren eller för in några andra föremål under blandning.** Kontakt med omrörarbladet kan det leda till allvarliga personskador.
7. **Starta och för endast ned maskinen i blandningsbehållaren.** Omrörarbladet kan böjas eller snurra på ett okontrollerat sätt.
8. **Se till att ingen vätska stänker mot maskinens hus.** Vätska som tränger in i maskinen kan skada maskinen.
9. **Använd extrahandtag om de följer med maskinen.** Om du förlorar kontrollen över maskinen kan det leda till personskador.
10. **Håll verktyget i de isolerade handtagen om det finns risk för att sägverktyget kan komma i kontakt med en dold elkabel.** Om sägverktyget kommer i kontakt med en strömförande ledning blir verktygets blottlagda metalldelar strömförande och kan ge användaren en elektrisk stöt.
11. **Se till att alltid ha ordentligt fotfäste.** Se till att ingen står under dig när verktyget används på hög höjd.
12. **Håll verktyget i ett fast grepp.**
13. **Håll händerna på behörigt avstånd från roterande delar.**
14. **Lämna inte maskinen igång.** Använd endast maskinen när du håller den.
15. **Vissa material kan innehålla giftiga kemikalier.** Se till att du inte andas in dammet eller får något på huden. Följ säkerhetsvarningar från materialets leverantör.
16. **Placera blandningsbehållaren på en plan och stabil yta vid blandning.**

SPARA DESSA ANVISNINGAR.

⚠ VARNING: GLÖM INTE att också fortsättningsvis strikt följa säkerhetsanvisningarna för maskinen även efter att du blivit van att använda den. Vid FELAKTIG HANTERING av maskinen eller om inte säkerhetsanvisningarna i denna bruksanvisning följs kan följden bli allvarliga personskador.

Viktiga säkerhetsanvisningar för batterikassetten

1. Innan batterikassetten används ska alla instruktioner och varningsmärken på (1) batteriladdaren, (2) batteriet och (3) produkten läsas.
2. **Montera inte isär batterikassetten.**

3. Om drifttiden blivit avsevärt kortare ska användningen avbrytas omedelbart. Det kan uppstå överhettning, brännskador och t o m en explosion.
4. Om du får elektrolyt i ögonen ska de sköljas med rent vatten och läkare uppsökas omedelbart. Det finns risk för att synen förloras.
5. Kortslut inte batterikassetten.
 - (1) Rör inte vid polerna med något strömförande material.
 - (2) Undvik att förvara batterikassetten tillsammans med andra metallobjekt som t.ex. spikar, mynt o.s.v.
 - (3) Skydda batteriet mot vatten och regn. En batterikortslutning kan orsaka ett stort strömflöde, överhettning, brand och maskinhaveri.
6. Förvara inte maskinen och batterikassetten på platser där temperaturen kan nå eller överstiga 50 °C.
7. Bränn inte upp batterikassetten även om den är svårt skadad eller helt utsliten. Batterikassetten kan explodera i öppen eld.
8. Var försiktig så att du inte råkar tappa batteriet och utsätt det inte för stötar.
9. Använd inte ett skadat batteri.
10. De medföljande litiumjonbatterierna är föremål för kraven i gällande lagstiftning för farligt gods. För kommersiella transporter (av t.ex. tredje parter som speditorsfirmor) måste de särskilda transportkrav som anges på emballaget och etiketter iakttas. För att förbereda den produkt som ska avsändas krävs att du konsulterar en expert på riskmaterial. Var också uppmärksam på att det i ditt land kan finnas ytterligare föreskrifter att följa. Tejpa över eller maskera blottade kontakter och packa batteriet på sådant sätt att det inte kan röra sig fritt i förpackningen.
11. Följ lokala föreskrifter beträffande avfallshandling av batteriet.
12. Använd endast batterierna med de produkter som specificerats av Makita. Att använda batterierna med ej godkända produkter kan leda till brand, överdriven värme, explosion eller utläckande elektrolyt.

SPARA DESSA ANVISNINGAR.

⚠ FÖRSIKTIGT: Använda endast äkta Makita-batterier. Användning av oäkta Makita-batterier eller batterier som har manipulerats kan leda till person- och utrustningsskador eller till att batteriet fattar eld. Det upphäver också Makitas garanti för verktyget och laddaren.

Tips för att uppnå batteriets maximala livslängd

1. Ladda batterikassetten innan den är helt urladdad. Stanna alltid maskinen och ladda batterikassetten när du märker att maskinen blir svagare.
2. Ladda aldrig en fulladdad batterikasset. Överladdning förkortar batteriets livslängd.
3. Ladda batterikassetten vid en rumstemperatur på 10 °C - 40 °C. Låt en varm batterikasset svalna innan den laddas.
4. Ladda batterikassetten om du inte har använt den på länge (mer än sex månader).

FUNKTIONSBESKRIVNING

⚠ FÖRSIKTIGT: Se alltid till att maskinen är avstängd och batterikassetten borttagen innan du justerar maskinen eller kontrollerar dess funktioner.

Montera eller demontera batterikassetten

⚠ FÖRSIKTIGT: Stäng alltid av maskinen innan du monterar eller tar bort batterikassetten.

⚠ FÖRSIKTIGT: Håll stadigt i maskinen och batterikassetten när du monterar eller tar bort batterikassetten. I annat fall kan det leda till att de glider ur dina händer och orsakar skada på maskinen och batterikassetten samt personskada.

⚠ FÖRSIKTIGT: Använd inte denna maskin med batteriadaptorn. Om du ansluter batteriadaptorn till maskinen kan batterikåpan inte stängas, och att använda maskinen med batterikåpan öppen kan orsaka en skada.

Öppna batterikåpan genom att trycka på knappen på batterikåpan.

► **Fig.1:** 1. Knapp 2. Batterikåpa

Ta bort batterikassetten genom att skjuta ner knappen på kassetten framsida samtidigt som du drar ut batterikassetten.

► **Fig.2:** 1. Röd indikator 2. Knapp 3. Batterikasset

Sätt in batterikassetten genom att rikta in tungan på batterikassetten mot spåret i höljet och skjut den på plats. Tryck in batterikassetten ordentligt tills den låser fast med ett klick. Om du kan se den röda indikatorn på knappens ovansida är den inte låst ordentligt.

Stäng batterikåpan ordentligt när du satt i batterikassetten.

⚠ FÖRSIKTIGT: Sätt alltid in batterikassetten helt tills den röda indikatorn inte längre syns. I annat fall kan den oväntat falla ur maskinen och skada dig eller någon annan.

⚠ FÖRSIKTIGT: Montera inte batterikassetten med våld. Om kassetten inte lätt glider på plats är den felinsatt.

Indikerar kvarvarande batterikapacitet

Endast för batterikassetter med indikator

► **Fig.3:** 1. Indikatorlampor 2. Kontrollknapp

Tryck på kontrollknappen på batterikassetten för att se kvarvarande batterikapacitet. Indikatorlamporna lyser i ett par sekunder.

Indikatorlampor			Kvarvarande kapacitet
Upplyst	Av	Blinkar	
■	□	◐	75% till 100%
■	■	■	
■	■	□	50% till 75%
■	□	□	25% till 50%
■	□	□	0% till 25%
◐	□	□	Ladda batteriet.
■	■	□	Batteriet kan ha skadats.
□	□	■	

OBS: Beroende på användningsförhållanden och den omgivande temperaturen kan indikationen skilja sig lätt från den faktiska batterikapaciteten.

Skyddssystem för maskinen/ batteriet

Verktyget är utrustat med ett skyddssystem för verktyget/batteriet. Detta system bryter automatiskt strömmen till motorn för att förlänga verktygets och batteriets livslängd. Verktyget stoppar automatiskt under användningen om verktyget eller batteriet hamnar i en av följande situationer:

Överbelastningsskydd

Om maskinen eller batteriet används på ett sätt som gör att det drar onormalt mycket ström kan det stoppas automatiskt utan varning. Stäng då av maskinen och stoppa åtgärden som gjorde att den överbelastades. Starta därefter upp maskinen igen.

Överhettningsskydd

När maskinen eller batteriet överhettas stoppas maskinen automatiskt. I sådant fall ska du låta maskinen och batteriet svalna innan du startar maskinen igen.

Överurladdningsskydd


När batteriets kapacitet är otillräcklig stoppar maskinen automatiskt. I sådant fall ska batteriet tas ur maskinen och laddas.

Avtryckarens funktion

⚠ FÖRSIKTIGT: Innan du sätter i batterikassetten i maskinen ska du kontrollera att avtryckaren fungerar och återgår till läget "OFF" när du släpper den.



⚠ FÖRSIKTIGT: Knappen kan låsas i läge "ON" för att underlätta användning när maskinen används under längre tid. Var försiktig när du låser maskinen i läge "ON", och fortsatt håll ett stadigt grepp i maskinen.

⚠ FÖRSIKTIGT: Montera inte batterikassetten med låsknappen aktiverad.

⚠ FÖRSIKTIGT: När maskinen inte används ska startspärren vara intryckt från sidan  för att låsa avtryckaren i det avstängda läget OFF.

► Fig.4: 1. Startspärr

► Fig.5: 1. Avtryckare 2. Låsknapp 3. Startspärr

Avtryckaren förhindrar att verktyget startas oavsiktligt. Tryck in låsknappen för avtryckaren från sidan A () och tryck sedan in avtryckaren för att starta maskinen. Hastigheten ökas genom att avtryckaren trycks in hårdare. Släpp avtryckaren för att stoppa maskinen. Tryck in startspärren från sidan B () efter användning.

Tryck in låsknappen samtidigt som du trycker in avtryckaren och släpp avtryckaren för kontinuerlig användning. Tryck in avtryckaren helt och släpp den sedan för att stanna maskinen.

Hastighetsändring

OBSERVERA: Använd endast hastighetsvredet när maskinen stannat helt. Maskinen kan skadas om du ändrar hastighetsinställningen medan den fortfarande roterar.

OBSERVERA: Var alltid noga med att ställa in hastighetsvredet i rätt läge. Om du använder maskinen med hastighetsvredet mellan läge 1 och 2 kan maskinen skadas.

OBSERVERA: Om rotationshastigheten sjunker avsevärt under drift i läget hög hastighet, stanna maskinen och ändra läge till läget låg hastighet. Annars kan motorn bli överbelastad och orsaka ett fel eller brand.

Två hastighetsinställningar kan på förhand väljas med hastighetsvredet.

Ändra hastigheten genom att vrida hastighetsvredet så att pekaren pekar på läge 1 för låg hastighet eller läge 2 för hög hastighet.

► Fig.6: 1. Pekare 2. Hastighetsvred

Funktion för att förhindra oavsiktlig omstart

Maskinen startar inte även om batterikassetten installeras samtidigt som avtryckaren trycks in eller låses. Släpp avtryckaren och tryck sedan på den igen för att starta maskinen.

Elektronisk funktion

Maskinen är utrustad med elektroniska funktioner för enkel användning.

- Mjukstart
Mjukstartsfunktionen minimerar ryck vid uppstarten och gör att maskinen får en mjuk start.

MONTERING

⚠FÖRSIKTIGT: Se alltid till att maskinen är avstängd och batterikassetten borttagen innan du underhåller maskinen.

Montering av främre skydd och sidohandtag

⚠FÖRSIKTIGT: Dra åt sidohandtaget ordentligt. I annat fall kan det främre höljet falla och orsaka skador.

► **Fig.7:** 1. Främre skydd 2. Sidohandtag

Fäst det främre skyddet på maskinen och skruva sedan fast sidohandtaget ordentligt på maskinen. Det kan monteras på båda sidor av verktyget.

Montering av skaft

Extra tillbehör

För DUT130

1. Dra åt skaftet i skaftfästet.
► **Fig.8:** 1. Skaft 2. Skaftfäste
2. Dra åt skaftet med en 19-nyckel samtidigt som du håller skaftfästet med en annan 19-nyckel.
► **Fig.9:** 1. Skaft 2. Skaftfäste

För DUT131

1. Skjut in skaftet i chucken så långt det går.
► **Fig.10:** 1. Skaft 2. Chuck
2. Dra åt chucken för hand och placera sedan chucknyckeln i vart och ett av de tre hålen och dra åt den medurs. Se till att dra åt chucknyckeln jämnt vid samtliga tre hål.
► **Fig.11:** 1. Chucknyckel 2. Chuck

När du vill lossa skaftet, vrid chucknyckeln moturs i ett av hålen, lossa sedan chucken för hand.

Montera omrörarblad

Extra tillbehör

Fäst omrörarbladet längst ut på skaftet och dra fast det med sexkantsbulten.

► **Fig.12:** 1. Omrörarblad 2. Skaft 3. Sexkantsbult

OBSERVERA: Se till att fästa omrörarbladet med "UP"-märket vänt mot maskinen.

► **Fig.13:** 1. Märke

Krok

Extra tillbehör

⚠FÖRSIKTIGT: Ta alltid bort batteriet när du hänger upp maskinen med kroken.

⚠FÖRSIKTIGT: Häng aldrig upp maskinen på hög höjd eller på platser som inte är helt stabila.

► **Fig.14:** 1. Spår 2. Krok 3. Skruv

Haken kan användas när du vill hänga upp verktyget temporärt. Den kan monteras på båda sidorna av maskinen.

För att montera kroken sätter du i den i ett spår i maskinhuset på endera sida och drar fast den med en skruv. Ta bort kroken genom att skruva loss skruven.

Montera eller demontera skaftfästet

Extra tillbehör

För DUT131

1. Sätt in insexnyckeln i chucken och lossa sedan chucken med insexnyckeln samtidigt som du håller spindelns nyckel.

► **Fig.15:** 1. Insexnyckel 2. Chuck 3. Nyckel

2. Dra åt skaftfästet med en 19-nyckel samtidigt som du håller spindelns nyckel med en annan 19-nyckel.

► **Fig.16:** 1. Skaftfäste 2. Nyckel

Ta bort skaftfästet genom att utföra monteringsproceduren i omvänd ordning.

ANVÄNDNING

⚠FÖRSIKTIGT: Blanda inte lättantändliga material eller använd maskinen i närheten av brandfarliga material såsom målarfärg med thinner som lösningsmedel. I annat fall kan personskador uppstå.

⚠FÖRSIKTIGT: Blanda inte material med hög viskositet, som murbruk eller bindemedel, på läget hög hastighet. Det är lätt hänt att du förlorar kontrollen över maskinen vilket kan leda till skada.

OBSERVERA: När du blandar material och omrörarbladet kommer ut från materialet, var försiktig så att du inte stänker materialet.

1. Välj hög hastighet eller låg hastighet efter det material som ska blandas.
2. Håll den ena handen på det bakre handtaget och greppa maskinen stadigt med den andra handen, sänk ned omrörarbladet i materialet som ska röras om och starta maskinen under kontrollerade förhållanden.
3. För omrörarbladet uppåt och nedåt under omrörningen så att hela materialet blandas ordentligt.
4. Stäng av maskinen efter avslutad omrörning och se till att omrörarbladet står helt stilla innan du lyfter upp den från blandningsbehållaren.

UNDERHÅLL

⚠ FÖRSIKTIGT: Se alltid till att maskinen är avstängd och batterikassetten borttagen innan inspektion eller underhåll utförs.

OBSERVERA: Använd inte bensin, förtunningsmedel, alkohol eller liknande. Missfärgning, deformation eller sprickor kan uppstå.

För att upprätthålla produktens SÄKERHET och TILLFÖRLITLIGHET bör allt underhålls- och justeringsarbete utföras av ett auktoriserat Makita servicecenter och med reservdelar från Makita.

VALFRIA TILLBEHÖR

⚠ FÖRSIKTIGT: Följande tillbehör eller tillsatser rekommenderas för användning med den Makita-maskin som denna bruksanvisning avser. Om andra tillbehör eller tillsatser används kan det uppstå risk för personskador. Använd endast tillbehören eller tillsatserna för de syften de är avsedda för.

Kontakta ditt lokala Makita servicecenter om du behöver ytterligare information om dessa tillbehör.

- Omrörarblad
- Skaff
- Skafffäste
- Krok
- Makitas originalbatteri och -laddare

OBS: Några av tillbehören i listan kan vara inkluderade i maskinpaketet som standardtillbehör. De kan variera mellan olika länder.

TEKNISKE DATA

Modell:		DUT130	DUT131
Hastighet uten belastning	Høy hastighet	0 - 1 300 min ⁻¹	
	Lav hastighet	0 - 350 min ⁻¹	
Maksimal diameter mikseblad		165 mm	
Total lengde (uten aksling og mikseblad)		320 mm	307 mm
Nominell spenning		DC 18 V	
Nettovekt		2,5 - 2,8 kg	2,7 - 3,0 kg

- På grunn av vårt kontinuerlige forsknings- og utviklingsprogram kan spesifikasjonene som oppgis i dette dokumentet endres uten varsel.
- Spesifikasjoner og batteriinnsett kan variere fra land til land.
- Vekten kan variere avhengig av tilbehøret/tilbehørene, inkludert batteriet. Den letteste og tyngste kombinasjonen, i henhold til EPTA-prosedyre 01/2014, vises i tabellen.

Passende batteri og lader

Batteriinnsett	BL1815N / BL1820 / BL1820B / BL1830 / BL1830B / BL1840 / BL1840B / BL1850 / BL1850B / BL1860B
Lader	DC18RC / DC18RD / DC18RE / DC18SD / DC18SE / DC18SF

- Noen av batteriene og laderne som er opplistet ovenfor er kanskje ikke tilgjengelige, avhengig av hvor du bor.

⚠ ADVARSEL: Bruk kun de batteriene og laderne som er opplistet ovenfor. Bruk av andre batterier og ladere kan føre til personskader og/eller brann.

Symboler

Nedenfor ser du symbolene som brukes for dette utstyret. Forviss deg om at du forstår hva de betyr, før du begynner å bruke maskinen.



Les bruksanvisningen.



Ikke bruk verktøyet i regn.



Ikke rengjør verktøyet med vann.



Kun for EU-land
Kast aldri elektroutstyr eller batteripakker i husholdningsavfallet!
I henhold til EU-direktivene om kasserte elektriske og elektroniske produkter, og om batterier og akkumulatører og brukte batterier og akkumulatører og direktivenes iverksettning i nasjonal rett, må elektriske produkter og batterier og batteripakker som ikke lenger skal brukes, samles separat og returneres til et miljøvennlig gjenvinningsanlegg.

Riktig bruk

Maskinen er beregnet på blanding av veggmaterialer osv. (unntatt brennbare materialer).

Støy

Typisk A-vektet lydtrykknivå er bestemt i henhold til EN60745-2-1:

Modell DUT130

Lydtrykknivå (L_{pA}): 74 dB (A)

Usikkerhet (K): 3 dB (A)

Modell DUT131

Lydtrykknivå (L_{pA}): 74 dB (A)

Usikkerhet (K): 3 dB (A)

Støynivået under arbeid kan overskride 80 dB (A).

⚠ MERK: Den/de oppgitte verdien(e) for genererte vibrasjoner har blitt målt i henhold til standard testmetoder, og kan bli brukt til å sammenligne ett verktøy med et annet.

⚠ MERK: Den/de angitte verdien(e) for de genererte vibrasjonene kan også brukes til en foreløpig vurdering av eksponeringen.

⚠ ADVARSEL: Bruk hørselsvern.

⚠ ADVARSEL: De genererte vibrasjonene ved faktisk bruk av elektroverktøyet kan avvike fra den/de angitte vibrasjonsverdien(e), avhengig av hvordan verktøyet brukes.

⚠ ADVARSEL: Sørg for å identifisere vernetiltak for å beskytte operatøren, som er basert på et estimat av eksponeringen under de faktiske bruksforholdene (idet det tas hensyn til alle deler av driftssyklusen, dvs. hvor lenge verktøyet er slått av, hvor lenge det går på tomgang og hvor lenge startbryteren faktisk holdes trykket).

Vibrasjoner

Den totale vibrasjonsverdien (triaksial vektorsum) bestemt i henhold EN60745-2-1:

Modell DUT130

Arbeidsmodus: drift uten belastning

Genererte vibrasjoner (a_h): 2,5 m/s² eller mindre
Usikkerhet (K): 1,5 m/s²

Modell DUT131

Arbeidsmodus: drift uten belastning

Genererte vibrasjoner (a_h): 2,5 m/s² eller mindre
Usikkerhet (K): 1,5 m/s²

MERK: Den/de oppgitte verdien(e) for totalt genererte vibrasjoner har blitt målt i henhold til standard testmetoder, og kan bli brukt til å sammenligne ett verktøy med et annet.

MERK: Den/de angitte verdien(e) for totalt genererte vibrasjoner kan også brukes til en foreløpig vurdering av eksponeringen.

⚠ ADVARSEL: De genererte vibrasjonene ved faktisk bruk av elektroverktøyet kan avvike fra den/de angitte vibrasjonsverdier(e), avhengig av hvordan verktøyet brukes og spesielt i forhold til arbeidsstykket som blir behandlet.

⚠ ADVARSEL: Sørg for å identifisere vernetiltak for å beskytte operatøren, som er basert på et estimat av eksponeringen under de faktiske bruksforholdene (idet det tas hensyn til alle deler av driftssyklusen, dvs. hvor lenge verktøyet er slått av, hvor lenge det går på tomgang og hvor lenge startbryteren faktisk holdes trykket).

EFs samsvarserklæring

Gjelder kun for land i Europa

EFs samsvarserklæring er lagt til som vedlegg A i denne bruksanvisningen.

SIKKERHETSADVARSEL

Generelle advarsler angående sikkerhet for elektroverktøy

⚠ ADVARSEL: Les alle sikkerhetsadvarsler, instruksjoner, illustrasjoner og spesifikasjoner som følger med dette elektroverktøyet. Hvis ikke alle instruksjonene nedenfor følges, kan det forekomme elektrisk støt, brann og/eller alvorlig skade.

Oppbevar alle advarsler og instruksjoner for senere bruk.

Uttrykket «elektrisk verktøy» i advarslene refererer både til elektriske verktøy (med ledning) tilkoblet strømmettet, og batteridrevne verktøy (uten ledning).

Sikkerhetsanvisninger for batteridreven mikser

1. **Hold maskinen med begge hender i håndtakene.** Hvis maskinen kommer ut av kontroll, kan det resultere i helseskader.
2. **Sikre tilstrekkelig ventilasjon når du blander brannfarlige materialer for å unngå en farlig atmosfære.** Dampf som utvikler seg kan puses inn eller bli antent av gnister produsert av verktøyet.
3. **Ikke bland matvarer.** Elektriske verktøy og tilbehør til dem er ikke konstruert til å behandle matvarer.
4. **Sikre at miksebeholderen er plassert i en stødig og sikker stilling.** En beholder som ikke er godt sikret kan uventet flytte på seg.
5. **Følg instruksjonene og advarslene for det materialet som skal blandes.** Materiale som skal blandes kan være skadelig.
6. **Ikke strekk hendene inn i miksebeholderen eller stikk inn noen gjenstander inn i den mens den blander.** Kontakt med mikserbladet kan føre til alvorlige personskader.
7. **Start og kjør verktøyet ned i blandebeholderen.** Mikserbladet kan bøyes eller rotere på en ukontrollert måte.
8. **Sikre at det ikke spruter noe væske mot huset til det elektriske verktøyet.** Væske som har trengt inn i det elektriske verktøyet kan forårsake at det blir skadet.
9. **Bruk hjelpehåndtak, hvis dette følger med verktøyet.** Tap av kontroll kan føre til personskade.
10. **Hold elektroverktøyet i de isolerte gripeflatene når kutteutstyret kan komme i kontakt med skjulte ledninger under arbeidet.** Hvis skjæretilbehøret kommer i kontakt med en strømførende ledning, kan metalldelene på elektroverktøyet bli strømførende og føre til at brukeren får støt.
11. **Pass på at du alltid har godt fotfeste.** Forviss deg om at ingen står under deg når du jobber høyt over bakken.
12. **Hold godt tak i verktøyet.**
13. **Hold hendene unna roterende deler.**
14. **Ikke gå fra verktøyet mens det er i gang.** Du må bare bruke verktøyet mens du holder det i hendene.
15. **Noen materialer inneholder kjemikalier som kan være giftige.** Vær forsiktig for å hindre hudkontakt og innånding av støv. Følg advarslene til leverandøren av materialet.
16. **Når du utfører en miksejobb, plasser miksebeholderen på et flatt og stabilt underlag.**

TA VARE PÅ DISSE INSTRUKSENE.

⚠ ADVARSEL: IKKE LA hensynet til hva som er "behagelig" eller det faktum at du kjenner produktet godt (etter mange gangers bruk) gjøre deg mindre oppmerksom på sikkerhetsreglene for bruken av det aktuelle produktet. Ved MISBRUK eller hvis ikke sikkerhetsreglene i denne bruksanvisningen følges, kan det oppstå alvorlig personskade.

Viktige sikkerhetsanvisninger for batteriinnsetts

1. Før du begynner å bruke batteriet, må du lese alle anvisninger og forsiktighetsregler på (1) batteriladeren, (2) batteriet og (3) det produktet batteriet skal brukes i.
2. Ikke ta fra hverandre batteriet.
3. Hvis driftstiden er blitt vesentlig kortere, må du omgående slutte å bruke maskinen. Hvis ikke kan resultatet bli overoppheting, mulige forbrenninger eller til og med en eksplosjon.
4. Hvis du får elektrolytt i øynene, må du skylle dem med store mengder rennende vann og oppsøke lege med én gang. Denne typen uhell kan føre til varig blindhet.
5. Ikke kortslett batteriet:
 - (1) De kan være ekstremt varme og du kan brenne deg.
 - (2) Ikke lagre batteriet i samme beholder som andre metallgjenstander, som for eksempel spiker, mynter osv.
 - (3) Ikke la batteriet komme i kontakt med vann eller regn.

En kortslutning av batteriet kan føre til et kraftig strømstøt, overoppvarming, mulige forbrenninger og til og med til at batteriet går i stykker.

6. Ikke lagre maskinen og batteriet på steder hvor temperaturen kan komme opp i eller overskride 50 °C.
7. Ikke sett fyr på batteriet, ikke engang om det er sterkt skadet eller helt utslitt. Batteriet kan eksplodere hvis det begynner å brenne.
8. Vær forsiktig så du ikke mister batteriet eller utsetter det for slag.
9. Ikke bruk batterier som er skadet.
10. Lithium-ion-batteriene som medfølger er gjenstand for krav om spesialavfall. For kommersiell transport, f.eks av tredjeparter eller spedidører, må spesielle krav om pakking og merking følges. Før varen blir sendt, må du forhøre deg med en ekspert på farlig materiale. Ta også hensyn til muligheten for mer detaljerte nasjonale bestemmelser. Bruk teip eller maskeringsteip for å skjule åpne kontakter og pakk inn batteriet på en slik måte at den ikke kan bevege seg rundt i emballasjen.
11. Følg lokale bestemmelser for avhending av batterier.
12. Bruk batteriene kun med produkter spesifisert av Makita. Montere batteriene i produkter som ikke er konforme kan føre til brann, overheting eller elektrolyttlekkasje.

TA VARE PÅ DISSE INSTRUKSENE.

⚠FORSIKTIG: Bruk kun originale Makita-batterier. Bruk av batterier som har endret seg, eller som ikke er originale Makita-batterier, kan føre til at batteriet sprekker og forårsaker brann, personskader og andre skader. Det vil også ugyldiggjøre garantien for Makita-verktøyet og -laderen.

Tips for å opprettholde maksimal batterilevetid

1. Lad batteriinnsettsen før den er helt utladet. Stopp alltid driften av verktøyet og lad batteriinnsettsen når du merker at effekten reduseres.
2. Lad aldri en batteriinnsetts som er fulladet. Overopplading forkorter batteriets levetid.
3. Lad batteriet i romtemperatur ved 10 °C - 40 °C. Et varmt batteri må kjøles ned før lading.
4. Lad batteriet hvis det ikke har vært brukt på en lang stund (over seks måneder).

FUNKSJONSBEKRIVELSE

⚠FORSIKTIG: Forviss deg alltid om at maskinen er slått av og batteriet tatt ut før du justerer maskinen eller kontrollerer dens mekaniske funksjoner.

Sette inn eller ta ut batteri

⚠FORSIKTIG: Slå alltid av verktøyet før du setter inn eller fjerner batteriet.

⚠FORSIKTIG: Hold verktøyet og batteripatronen i et fast grep når du monterer eller fjerner batteripatronen. Hvis du ikke holder verktøyet og batteripatronen godt fast, kan du miste grepet, og dette kan føre til skader på verktøyet og batteripatronen samt personskader.

⚠FORSIKTIG: Ikke bruk dette verktøyet med batteriadapteret. Hvis du kobler batteriadapteret på verktøyet, kan batteridekselet ikke lukkes, og bruk av verktøyet med batteridekselet åpent kan føre til personskade.

Åpne batteridekselet mens du trykker på knappen på batteridekselet.

► Fig.1: 1. Knapp 2. Batterideksel

For å ta ut batteriet må du skyve på knappen foran på batteriet og trekke det ut.

► Fig.2: 1. Rød indikator 2. Knapp 3. Batteriinnsetts

Når du skal sette inn batteriet, må du plassere tungen på batteriet på linje med sporet i huset og skyve batteriet på plass. Skyv det helt inn til det går i inngrep med et lite klikk. Hvis du kan se den røde anviseren på oversiden av knappen, er det ikke fullstendig låst.

Etter at batteriinnsettsen er satt inn må du lukke batteridekselet så det sitter godt.

⚠FORSIKTIG: Batteriet må alltid settes helt inn, så langt at den røde anviseren ikke lenger er synlig. Hvis dette ikke gjøres, kan batteriet komme til å falle ut av maskinen og skade deg eller andre som oppholder seg i nærheten.




















⚠FORSIKTIG: Ikke bruk makt når du setter i batteriet. Hvis batteriet ikke glir lett inn, er det fordi det ikke settes inn på riktig måte.

Indikere gjenværende batterikapasitet

Kun for batterier med indikatoren

► **Fig.3:** 1. Indikatorlamper 2. Kontrollknapp

Trykk på sjekk-knappen på batteriet for vise gjenværende batterikapasitet. Indikatorlampene lyser i et par sekunder.

Indikatorlamper			Gjenværende batterinivå
Tent	Av	Bliker	
			
			75 % til 100 %
			50 % til 75 %
			25 % til 50 %
			0 % til 25 %
			Lad batteriet.
			Batteriet kan ha en feil.
			
			

MERK: Det angitte nivået kan avvike noe fra den faktiske kapasiteten alt etter bruksforholdene og den omgivende temperaturen.

Batterivernsystem for verktøy/batteri

Verktøyet er utstyrt med et batterivernsystem for verktøy/batteri. Dette systemet kutter automatisk strømmen til motoren for å forlenge verktøyets og batteriets levetid. Verktøyet stopper automatisk under drift hvis verktøyet eller batteriet utsettes for en av følgende tilstander:

Overlastsikring

Når verktøyet eller batteriet brukes på en måte som gjør at det bruker unormalt mye strøm, vil verktøyet stanse automatisk og uten forvarsel. Hvis dette skjer, må du slå av verktøyet og avslutte bruken som forårsaket at verktøyet ble overbelastet. Slå deretter verktøyet på for å starte det igjen.

Overopphetingsvern

Når verktøyet eller batteriet blir overopphetet, stanser verktøyet automatisk. I dette tilfellet lar du verktøyet og batteriet avkjøles før du starter verktøyet på nytt.

Overutladningsvern


Når det blir batterikapasiteten er utilstrekkelig, stopper verktøyet automatisk. I så fall fjerner du batteriet fra verktøyet og lader det.

Bryterfunksjon

⚠FORSIKTIG: Før du setter batteriet inn i maskinen, må du alltid kontrollere at startbryteren aktiverer maskinen på riktig måte og går tilbake til «AV»-stilling når den slippes.



⚠FORSIKTIG: Bryteren kan sperres i «ON»-stilling for å gjøre det lettere for operatøren ved langvarig bruk. Vær forsiktig når du sperrer verktøyet i «ON»-stilling, og hold det godt fast.

⚠FORSIKTIG: Ikke sett inn batteriet når sperreknappen er på.

⚠FORSIKTIG: Når du er ferdig med å bruke verktøyet, trykker du inn låseknappen fra side  for å låse startbryteren i stillingen AV.

► **Fig.4:** 1. Låseknapp

► **Fig.5:** 1. Startbryter 2. Sperreknapp 3. Låseknapp

Verktøyet er utstyrt med en låseknapp, som hindrer at startbryteren trykkes inn ved en feiltakelse. Når du skal starte verktøyet, trykker du inn låseknappen fra side A () og så trykker du på startbryteren. Når du trykker hardere på startbryteren, økes hastigheten på verktøyet. Slipp startbryteren for å stanse verktøyet. Etter bruk trykker du inn låseknappen fra B- () siden.

For kontinuerlig drift, trekk inn utløserbryteren og skyv inn låseknappen mens du trekker i startbryteren, og så slipper du startbryteren. Når du vil stanse verktøyet, trekker du startbryteren helt ut og slipper den.

Hastighetsendring

OBS: Bruk turtallsvelgeren bare etter at verktøyet har stoppet helt. Hvis du endrer turtall på maskinen før den har stoppet, kan du ødelegge den.

OBS: Hastighetsknappen må alltid settes forsiktig i riktig stilling. Hvis du bruker maskinen med hastighetsknappen innstilt på et punkt midt mellom posisjon 1 og 2, kan maskinen bli skadet.

OBS: Hvis rotasjons-hastigheten reduseres betydelig under drift mens maskinen går med høy hastighet, stans verktøyet og skift modusen til lav hastighet. Ellers kan motoren bli overbelastet og forårsake en feilfunksjon eller brann.

Med hastighetsknappen kan du velge to hastighetsområder på forhånd.

For å endre hastigheten, må du vri hastighetsvelgeren slik at pilen peker mot posisjon 1 for lav hastighet og posisjon 2 for høy hastighet.

► **Fig.6:** 1. Peger 2. Knapp for hastighetsvalg

Funksjon som forhindrer utilsiktet start

Hvis du setter inn batteriet mens du trekker i startbryteren eller låser startbryteren, starter ikke verktøyet. For å starte verktøyet, må du frigjøre startbryteren, og så trekke i startbryteren.

Elektronisk funksjon

Maskinen er utstyrt med de elektroniske funksjonen for å gjøre den enkel å bruke.

- Myk start
Myk start-funksjonen reduserer oppstartssjokket til et minimum, og gjør at maskinen starter mykt.

MONTERING

⚠FORSIKTIG: Forviss deg alltid om at maskinen er slått av og batteriet tatt ut før du utfører noe arbeid på maskinen.

Montering av frontdekselet og sidehåndtaket

⚠FORSIKTIG: Stram sidehåndtaket godt. Ellers kan frontdekselet falle ned og forårsake en personskade.

► **Fig.7:** 1. Frontdekselet 2. Støttehåndtak

Fest frontdekselet på verktøyet og skru sidehåndtaket godt fast på verktøyet.

Støttehåndtaket kan monteres på begge sider av maskinen.

Montere akslingen

Valgfritt tilbehør

For DUT130

1. Stram akslingen i akselholderen.

► **Fig.8:** 1. Stang 2. Akselholder

2. Stram akslingen med en nøkkel 19 mens du holder akselholderen med en annen nøkkel 19.

► **Fig.9:** 1. Stang 2. Akselholder

For DUT131

1. Sett akslingen så langt inn i kjoksen som det går.

► **Fig.10:** 1. Stang 2. Kjoks

2. Stram kjoksen for hånd og sett kjoksnøkkelen inn i hvert av de tre hullene etter tur, og stram dem med klokken. Pass på at alle de tre kjoksnøkklene strammes jevnt.

► **Fig.11:** 1. Kjoksnøkkel 2. Kjoks

For å ta av akslingen vrir du kjoksnøkkelen mot klokken i ett av hullene og deretter løsne kjoksen for hånd.

Montering av miksebladet

Valgfritt tilbehør

Monter miksebladet på toppen av akslingen og fest det med sekskantmutteren.

► **Fig.12:** 1. Røreblad 2. Stang 3. Sekskantbolt

OBS: Pass på å sette miksebladet med "OPP"-merket vendt mot verktøyet.

► **Fig.13:** 1. Merke

Krok

Valgfritt tilbehør

⚠FORSIKTIG: Ta alltid ut batteriet når verktøyet henges opp på kroken.

⚠FORSIKTIG: Verktøyet må aldri henges på kroken høyt over bakken eller på en potensielt ustabil overflate.

► **Fig.14:** 1. Spor 2. Krok 3. Skruer

Kroken er praktisk å henge verktøyet i over kortere tid. Den kan monteres på begge sider av verktøyet.

For å montere kroken, må du sette den inn i sporet på en av sidene av verktøyhuset og feste den med en skruer. Ta den av igjen ved å løsne skruen.

Påsetting eller avtaking av akselholderen

Valgfritt tilbehør

For DUT131

1. Sett sekskantnøkkelen inn i kjoksen, og så løsnes kjoksen med sekskantnøkkelen mens du holder spindelens medskiftnøkkelen.

► **Fig.15:** 1. Sekskantnøkkel 2. Kjoks 3. Skiftenøkkel

2. Stram akselholderen med en nøkkel 19 mens du holder spindelen med en annen nøkkel 19.

► **Fig.16:** 1. Akselholder 2. Skiftenøkkel

Når du skal ta av akselholderen, følger du monteringsprosedyren i motsatt rekkefølge.

BRUK

⚠FORSIKTIG: Må ikke brukes til å blande brennbare materialer eller brukes rundt brannfarlige materialer som f.eks. maling, med tynner som løsemiddel. Hvis du ikke gjør det, kan det føre til en personskade.

⚠FORSIKTIG: Ikke bland materiale med høy viskositet, som mørtel eller lim, med høy hastighet. Du kan miste kontrollen over verktøyet og forårsake en personskade.

OBS: Når du rører mens miksebladet flyter opp av det materialet som blandes, må du være forsiktig slik at materialet ikke spruter.

1. Velg høy hastighet eller lav hastighet etter materialet som skal blandes.

2. Hold det bakre håndtaket til mikseren med én hånd og hold et godt takt med den andre, senk rørebladet helt ned i materialet og slå på maskinen etter at du har forvissnet deg om at sikkerheten på arbeidsplassen er ivarettatt.

3. Beveg rørebladet opp og ned under blandingen, slik at alt materialet blandes godt.

4. Når du er ferdig med å røre, må du slå av maskinen, kontrollere at rørebladet har stoppet helt og ta det ut av blandebeholderen.

VEDLIKEHOLD

⚠FORSIKTIG: Forviss deg alltid om at maskinen er slått av og batteriet tatt ut før du foretar inspeksjon eller vedlikehold.

OBS: Aldri bruk gasolin, bensin, tynner alkohol eller lignende. Det kan føre til misfarging, deformering eller sprekkdannelse.

For å opprettholde produktets SIKKERHET og PÅLITELIGHET, må reparasjoner, vedlikehold og justeringer utføres av autoriserte Makita servicesentre eller fabrikk-servicesentre, og det må alltid brukes reservedeler fra Makita.

VALGFRITT TILBEHØR

⚠FORSIKTIG: Det anbefales at du bruker dette tilbehøret eller verktøyet sammen med den Makita-maskinen som er spesifisert i denne håndboken. Bruk av annet tilbehør eller verktøy kan forårsake personskader. Tilbehør og verktøy må kun brukes til det formålet det er beregnet på.

Ta kontakt med ditt lokale Makita-servicesenter hvis du trenger mer informasjon om dette tilbehøret.

- Røreblad
- Stang
- Akselholder
- Krok
- Makita originalbatteri og lader

MERK: Enkelte elementer i listen kan være inkludert som standardtilbehør i verktøypakken. Elementene kan variere fra land til land.

TEKNISET TIEDOT

Malli:	DUT130		DUT131	
Kuormittamaton kierrosnopeus	Suuri nopeus	0–1 300 min ⁻¹		
	Pieni nopeus	0–350 min ⁻¹		
Sekoitusterän enimmäishalkaisija		165 mm		
Kokonaispituus (ilman akselia ja sekoitusterää)		320 mm	307 mm	
Nimellisjännite		DC 18 V		
Nettopaino		2,5–2,8 kg	2,7–3,0 kg	

- Jatkuvasta tutkimus- ja kehitystyöstämme johtuen esitetyt tekniset tiedot saattavat muuttua ilman erillistä ilmoitusta.
- Tekniset tiedot ja akkupaketti voivat vaihdella maittain.
- Paino voi olla erilainen lisävarusteista sekä akusta johtuen. EPTA-menettelytavan 01/2014 mukaisesti, taulukossa on kuvattu kevyin ja painavin laiteyhdistelmä.

Käytettävä akkupaketti ja laturi

Akkupaketti	BL1815N / BL1820 / BL1820B / BL1830 / BL1830B / BL1840 / BL1840B / BL1850 / BL1850B / BL1860B
Laturi	DC18RC / DC18RD / DC18RE / DC18SD / DC18SE / DC18SF

- Tiettyjä yläpuolella kuvattuja akkuja ja latureita ei ehkä ole saatavana asuinalueestasi johtuen.

VAROITUS: Käytä vain edellä eriteltyjä akkupaketteja ja latureita. Muiden akkupakettien ja laturien käyttäminen voi aiheuttaa loukkaantumisen ja/tai tulipalon.

Symbolit

Laitteessa on käytetty seuraavia symboleja. Opettele niiden merkitys ennen käyttöä.



Lue käyttöohje.



Älä käytä työkalua sateessa.



Älä puhdista työkalua vedellä.



Ni-MH
Li-ion

Koskee vain EU-maita
Älä hävitä sähkölaitteita tai akkuja tavallisen kotitalousjätteen mukana!
Sähkö- ja elektroniikkalaiteromua koskevan EU-direktiivin ja paristoja ja akkuja sekä käytettyjä paristoja ja akkuja koskevan direktiivin ja niiden maakohtaisten sovellusten mukaisesti käytetyt sähkölaitteet ja akut on toimitettava ongelmajätteen keräyspisteeseen ja ohjattava ympäristöystävälliseen kierrätykseen.

Käyttötarkoitus

Laitte on tarkoitettu seinämateriaalien jne. sekoittamiseen (ei tulenarkojen materiaalien).

Melutaso

Tyypillinen A-painotettu melutaso määräytyy standardin EN60745-2-1 mukaan:

Malli DUT130

Äänenpainetaso (L_{pA}) : 74 dB (A)
Virhemarginaali (K): 3 dB (A)

Malli DUT131

Äänenpainetaso (L_{pA}) : 74 dB (A)
Virhemarginaali (K): 3 dB (A)

Työskentelyn aikana melutaso voi ylittää 80 dB (A).

HUOMAA: Ilmoitetut melutasoarvot on mitattu standarditestausten mukaisesti ja niiden avulla voidaan vertailla työkaluja keskenään.

HUOMAA: Ilmoitettu melutasoarvo voidaan käyttää myös altistumisen alustavan arviointiin.

VAROITUS: Käytä kuulosuojaimia.

VAROITUS: Sähkötyökalun käytön aikana mitattu melutasoarvo voi poiketa ilmoitetuista arvoista laitteen käyttötavan ja erityisesti käsiteltävän työkalun mukaan.

VAROITUS: Selvitä käyttäjän suojaamiseksi tarvittavat varoimet todellisissa käyttöolosuhteissa tapahtuvan arvioidun altistumisen mukaisesti (ottaen huomioon käyttökäsko kokonaisuudessaan, myös jaksot, joiden aikana laite on sammutettuna tai käy tyhjäkäynnillä).

Tärinä

Kokonaistärinä (kolmen akselin vektorien summa) määräytyy standardin EN60745-2-1 mukaan:

Malli DUT130

Työtila: käyttö ilman kuormitusta
Tärinäpäästö (a_w): 2,5 m/s² tai alhaisempi
Virhemarginaali (K): 1,5 m/s²

Malli DUT131

Työtila: käyttö ilman kuormitusta
Tärinäpäästö (a_w): 2,5 m/s² tai alhaisempi
Virhemarginaali (K): 1,5 m/s²

HUOMAA: Ilmoitetut kokonaistärinäarvot on mitattu standarditestausten mukaisesti ja niiden avulla voidaan vertailla työkaluja keskenään.

HUOMAA: Ilmoitettuja kokonaistärinäarvoja voidaan käyttää myös altistumisen alustavaan arviointiin.

VAROITUS: Sähkötyökalun käytön aikana mitattu todellinen tärinäpäästöarvo voi poiketa ilmoitetuista arvoista laitteen käyttötavan ja erityisesti käsiteltävän työkalupaleen mukaan.

VAROITUS: Selvitä käyttäjän suojaamiseksi tarvittavat varoimet todellisissa käyttöolosuhteissa tapahtuvan arvioidun altistumisen mukaisesti (ottaen huomioon käyttöjakso kokonaisuudessaan, myös jaksot, joiden aikana laite on sammutettuna tai käy tyhjäkäynnillä).

EY-vaatimusten mukaisuusvakuutus

Koskee vain Euroopan maita

EY-vaatimusten mukaisuusvakuutus on liitetty tähän käyttöoppaaseen.

TURVAVAROITUKSET

Sähkötyökalujen käyttöä koskevat yleiset varoitukset

VAROITUS: Tutustu kaikkiin tämän sähkötyökalun mukana toimitettuihin varoituksiin, ohjeisiin, kuviin ja teknisiin tietoihin. Seuraavassa lueteltujen ohjeiden noudattamatta jättäminen saattaa johtaa sähköiskuun, tulipaloon tai vakavaan vammautumiseen.

Säilytä varoitukset ja ohjeet tulevaa käyttöä varten.

Varoituksissa käytettävällä termillä ”sähkötyökalu” tarkoitetaan joko verkkovirtaa käyttävää (johdollista) työkalua tai akkukäyttöistä (johdotonta) työkalua.

Akkusekoitinta koskevat turvallisuusohjeet

1. Pidä kahdella kädellä kiinni laitteen tartuntakahvoista. Hallinnan menetys voi aiheuttaa henkilövahinkoja.
2. Varmista syttyviä materiaaleja sekoitettaessa, että ilmanvaihto on riittävä, jotta ympäristön ilma ei muutu vaaralliseksi. Muodostuvat höyryt voivat joutua henkeen tai sähkötyökalun kipinäntoimi voi sytyttää ne.

3. Älä käytä ruoan sekoittamiseen. Sähkötyökaluja ja niiden lisävarusteita ei ole suunniteltu ruoan käsittelemiseen.
4. Varmista, että sekoitusastia on sijoitettu pitävästi ja turvallisesti. Turvattomasti sijoitettu astia voi liikkua odottamatta.
5. Noudata sekoitettavan materiaalin mukaisia ohjeita ja varoituksia. Sekoitettava materiaali voi olla haitallista.
6. Älä kurota sekoitusastian käsin tai muilla esineillä sekoituksen aikana. Sekoitusastian koskettaminen saattaa aiheuttaa vakavia vammoja.
7. Käynnistä ja sammuta laite vain sekoitusastias- tiassa. Muutoin sekoitusterä voi taipua tai alkaa pyöriä hallitsemattomasti.
8. Varmista, ettei sähkötyökalun runkoon roisku nestettä. Sähkötyökaluun sisälle pääsevä neste voi vahingoittaa laitetta.
9. Käytä lisäkahvoja, jos ne on toimitettu laitteen mukana. Hallinnan menetys voi aiheuttaa henkilövahinkoja.
10. Kun suoritat toimenpidettä, jossa leikkuuvaruste voi joutua kosketukseen piilossa olevien johtojen kanssa, pidä kiinni laitteesta sen eristetyn tarttumispinnan kohdalta. Jos leikkuuvaruste joutuu kosketukseen jännitteellisen johdon kanssa, jännite voi siirtyä laitteen sähköä johtaviin metalliosiin ja aiheuttaa käyttäjälle sähköiskun.
11. Seiso aina tukevassa asennossa. Varmista korkealla työskennellessäsi, ettei ketään ole alapuolella.
12. Ota laitteesta luja ote.
13. Pidä kädet kaukana pyörivistä osista.
14. Älä jätä laitetta käyntiin ilman valvontaa. Käytä laitetta vain, kun se on otteessasi.
15. Jotkin materiaalit sisältävät kemikaaleja, jotka voivat olla myrkyllisiä. Vältä pölyn sisään hengittämistä ja ihokosketusta. Noudata materiaalin valmistajan turvallisuusvaroituksia.
16. Sijoita sekoitusastia sekoituksen ajaksi tasaiselle ja vakaalle alustalle.

SÄILYTÄ NÄMÄ OHJEET.

VAROITUS: ÄLÄ anna työkalun helppokäyttöisyyden (toistuvan käytön aikaansaama) johtaa sinua vääriin turvallisuuden tunteeseen niin, että laiminlyöt työkalun turvaohjeiden noudattamisen. VÄÄRINKÄYTTÖ tai tässä käyttöohjeessa ilmoitettujen turvamääräysten laiminlyönti voi aiheuttaa vakavia henkilövahinkoja.

Akkupakettia koskevia tärkeitä turvaohjeita

1. Ennen akun käyttöönottoa tutustu kaikkiin laturissa (1), akussa (2) ja akkukäyttöisessä tuotteessa (3) oleviin varoitusteksteihin.
2. Älä pura akkua.
3. Jos akun toiminta-aika lyhenee merkittävästi, lopeta akun käyttö. Seurauksena voi olla ylikuumeneminen, palovammoja tai jopa räjähdys.
4. Jos akkunestettä pääsee silmiin, huuhtele puhtaalla vedellä ja hakeudu välittömästi lääkärin hoitoon. Akkuneste voi aiheuttaa näön menetyksen.

5. Älä oikosulje akkua.
- Älä koske akun napoihin millään sähköä johtavalla materiaalilla.
 - Vältä akun oikosulkemista äläkä säilytä akkua yhdessä muiden metalliesineiden, kuten nauhojen, kolikoiden ja niin edelleen kanssa.
 - Älä aseta akkua alttiiksi vedelle tai sateelle.

Oikosulku voi aiheuttaa virtapiikin, ylikuumentumista, palovammoja tai laitteen rikkoontumisen.

- Älä säilytä työkalua ja akkua paikassa, jossa lämpötila voi nousta 50 °C:een tai sitäkin korkeammaksi.
- Älä hävitä akkua polttamalla, vaikka se olisi pahoin vaurioitunut tai täysin loppuun kulunut. Avotuli voi aiheuttaa akun räjähtämisen.
- Varo kolhimasta tai pudottamasta akkua.
- Älä käytä viallista akkua.

- Sisältyviä litium-ioni-akkuja koskevat vaarallisten aineiden lainsäädännön vaatimukset.

Esimerkiksi kolmansien osapuolten huolintaliikkeiden tulee kaupallisissa kuljetuksissa noudattaa pakkaamista ja merkintöjä koskevia erityisvaatimuksia.

Lähetettävän tuotteen valmistelu edellyttää vaarallisten aineiden asiantuntijan neuvontaa. Huomioi myös mahdollisesti yksityiskohtaisemmat kansalliset määräykset

Akun avoimet liittimet tulee suojata teipillä tai suojuksella ja pakkaaminen tulee tehdä niin, ettei akku voi liikkua pakkauksessa.

- Hävitä akku paikallisten määräysten mukaisesti.
- Käytä akkuja vain Makitan ilmoittamien tuotteiden kanssa. Akkujen asentaminen yhteensopimattomiin tuotteisiin voi aiheuttaa tulipalon, liiallisen ylikuumentumisen, räjähdysten tai akkunestevuotoja.

SÄILYTÄ NÄMÄ OHJEET.

⚠️HUOMIO: Käytä vain alkuperäisiä Makita-akkuja. Muiden kuin aitojen Makita-akkujen, tai mahdollisesti muutettujen akkujen käyttö voi johtaa akun murtumiseen ja aiheuttaa tulipaloja, henkilö- ja omaisuusvahinkoja. Se mitätöi myös Makita-työkalun ja -laturin Makita-takuun.

Vihjeitä akun käyttöiän pidentämiseksi

- Lataa akku ennen kuin se purkautuu täysin. Lopeta aina työkalun käyttö ja lataa akku, jos huomaat työkalun tehon vähenevän.
- Älä koskaan lataa uudestaan täysin ladattua akkua. Ylilataaminen lyhentää akun käyttöikää.
- Lataa akku huoneen lämpötilassa välillä 10 °C - 40 °C. Anna kuuman akun jäähtyä ennen lataamista.
- Lataa akkupaketti, jos et käytä sitä pitkään aikaan (yli kuusi kuukautta).

TOIMINTOJEN KUVAUS

⚠️HUOMIO: Varmista aina ennen säätöjä ja tarkastuksia, että työkalu on sammutettu ja akkupaketti irrotettu.

Akun asentaminen tai irrottaminen

⚠️HUOMIO: Sammuta työkalu aina ennen akun kiinnittämistä tai irrottamista.

⚠️HUOMIO: Pidä työkalusta ja akusta tiukasti kiinni, kun irrotat tai kiinnität akkua. Jos akkupaketti tai työkalu putoaa, ne voivat vaurioitua tai aiheuttaa tapaturman.

⚠️HUOMIO: Älä käytä akkusovitinta tämän laitteen kanssa. Jos tämän laitteen kanssa käytetään akkusovitinta, akun suojakantta ei voida sulkea. Laitteen käyttäminen akun suojakansi auki voi aiheuttaa vammoja.

Avaa akun suojakansi painamalla siinä olevaa painiketta.

► **Kuva1:** 1. Painike 2. Akun suojakansi

Irrota akku painamalla akun etupuolella olevaa painiketta ja vetämällä akku ulos työkalusta.

► **Kuva2:** 1. Punainen merkivalo 2. Painike 3. Akkupaketti

Akku liitetään sovitamalla akun kieleke rungon uraan ja työntämällä se sitten paikoilleen. Työnnä akku pohjaan asti niin, että kuulet sen napsahtavan paikoilleen. Jos painikkeen yläpuolella näkyy punainen ilmaisin, akku ei ole lukkiutunut täysin paikoilleen.

Kun olet asettanut akun paikalleen, sulje akun suojakansi pitävästi.

⚠️HUOMIO: Työnnä akku aina pohjaan asti, niin että punainen ilmaisin ei enää näy. Jos akku ei ole kunnolla paikallaan, se voi pudota työkalusta ja aiheuttaa vammoja joko sinulle tai sivullisille.










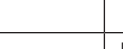

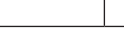
⚠️HUOMIO: Älä käytä voimaa akun asennuksessa. Jos akku ei liu'u paikalleen helposti, se on väärässä asennossa.

Akun jäljellä olevan varaustason ilmaisin

Vain akkupaketeille ilmaisimella

► **Kuva3:** 1. Merkivalot 2. Tarkistuspainike

Painamalla tarkistuspainiketta saat näkyviin akun jäljellä olevan varauksen. Merkivalot palavat muutaman sekunnin ajan.

Merkivalot			Akussa jäljellä olevan varaus
 Palaava	 Pois päältä	 Viilkuu	
			75% - 100%
			50% - 75%
			25% - 50%
			0% - 25%
			Lataa akku.

Merkkivalot			Akussa jäljellä olevan varaus
Palaa	Pois päältä	Viikkuu	
			Akussa on saattanut olla toimintahäiriö.

HUOMAA: Ilmoitettu varaustaso voi erota hieman todellisesta varaustasosta sen mukaan, millaisissa oloissa ja missä lämpötilassa laitetta käytetään.

Työkalun/akun suojausjärjestelmä

Työkalu on varustettu työkalu/akun suojausjärjestelmällä. Tämä järjestelmä pidentää työkalun ja akun käyttöikää katkaisemalla automaattisesti moottorin virran. Työkalu pysähtyy automaattisesti kesken käytön, jos työkalussa tai akussa ilmenee jokin seuraavista tilanteista:

Ylikuormitusuoja

Kun laitetta tai akkua käytetään tavalla, joka saa sen kuluttamaan epätavallisen suuren määrän virtaa, laite pysähtyy automaattisesti ilman mitään merkkivaloa tai ilmaisinta. Katkaise tässä tilanteessa laitteesta virta ja lopeta ylikuormitusilman aiheuttanut käyttö. Käynnistä sitten laite uudelleen kytkemällä siihen virta.

Ylikuumenemissuoja

Kun laite tai akku ylikuumentaa, laite pysähtyy automaattisesti. Anna silloin laitteen tai akun jäähtyä, ennen kuin kytket laitteen uudelleen virran.

Ylipurkautumissuoja

Kun akun varaus on riittämätön, työkalu pysähtyy automaattisesti. Irrota silloin akku työkalusta ja lataa se.

Kytkimen käyttäminen

▲HUOMIO: Tarkista aina ennen akkupaketin asettamista työkaluun, että liipaisinkytkin kytketty oikein ja palaa ”OFF”-asentoon, kun se vapautetaan.

▲HUOMIO: Kytkimen voi lukita ”ON” asentoon, jotta pitkäaikainen käyttö helpottuisi käyttäjälle. Ole varovainen, kun lukitset työkalun ”ON” asentoon ja pidä työkalusta luja ote.

▲HUOMIO: Älä asenna akkupakettia, kun lukkopainike on kytkettyinä.

▲HUOMIO: Kun et käytä laitetta, lukitse liipaisinlukkopainike OFF-asentoon painamalla liipaisinlukkopainiketta -puolelta.

► **Kuva4:** 1. Liipaisinlukkopainike

► **Kuva5:** 1. Liipaisinkytkin 2. Lukituspainike
3. Liipaisinlukkopainike

Laitteessa on liipaisinlukkopainike, joka estää liipaisinkytkimen painamisen vahingossa. Voit käynnistää laitteen painamalla liipaisinlukkopainiketta A ()-puolelta ja painamalla liipaisinkytkintä. Laitteen nopeus kasvaa liipaisinkytkimeen kohdistuvaa voimaa lisättäessä. Pysäytä vapauttamalla liipaisinkytkin. Käytön jälkeen paina liipaisinlukkopainiketta B ()-puolelta.

Jos haluat laitteen toimivan keskeytyksettä, paina lukituspainiketta ja liipaisinkytkintä samanaikaisesti ja vapauta sitten liipaisinkytkin. Kun haluat pysäyttää laitteen, paina liipaisinkytkin pohjaan ja vapauta se sitten.

Nopeuden muuttaminen

HUOMAUTUS: Käytä nopeudenvaihtokytkintä vasta sen jälkeen, kun laite on lakannut kokonaan pyörimästä. Laitteen nopeuden muuttaminen ennen sen pysähtymistä saattaa vahingoittaa sitä.

HUOMAUTUS: Siirrä nopeudenvaihtokytkin aina varovasti oikeaan asentoon. Jos käytät laitetta siten, että nopeudenvaihtokytkin on asentojen 1 ja 2 puolivälissä, laite voi vahingoittua.

HUOMAUTUS: Mikäli pyörimisnopeus laskee merkittävästi suuren nopeuden tilassa, pysäytä laite ja vaihda pienen nopeuden tilaan. Muutoin moottori voi ylikuormittua, mikä voi johtaa toimintahäiriöön tai tulipalloon.

Nopeudenvaihtokytkimellä voi vaihtaa kahden ennalta määritetyn nopeustilan välillä.

Muuta nopeutta kääntämällä nopeudenvaihtokytkintä siten, että osoitin osoittaa pienen nopeuden asentoa 1 tai suuren nopeuden asentoa 2.

► **Kuva6:** 1. Osoitin 2. Nopeudenvaihtokytkin

Vahinkokäynnistyksen estotoiminto

Laite ei käynnisty, vaikka liipaisinkytkintä painettaisiin tai se lukittaisiin akkupaketin asennuksen aikana. Voit käynnistää laitteen vapauttamalla liipaisinkytkimen ja painamalla sitä sitten.

Sähköinen toiminta

Laite on varustettu sähköisillä toiminnoilla helppokäyttöisyyttä ajatellen.

- Pehmeä käynnisty
- Pehmeä käynnisty -toiminto minimoi käynnistysiskun ja näin laite käynnistyy tasaisesti.

KOKOONPANO

▲HUOMIO: Varmista aina ennen mitään työkäluille tehtäviä toimenpiteitä, että se on sammutettu ja akku irrotettu.

Etukannen ja sivukahvan asentaminen

▲HUOMIO: Kiristä sivukahva tiukasti. Muutoin etukansi voi pudota ja aiheuttaa vammoja.

► **Kuva7:** 1. Etukansi 2. Sivukahva

Aseta etukansi laitteeseen ja ruuvaa sitten sivukahva kiinni laitteeseen. Sivukahva voidaan asentaa kummalle puolelle työkalua tahansa.

Akselin asentaminen

Lisävaruste

DUT130

1. Kiristä akseli akselipidikkeeseen.
► **Kuva8:** 1. Akseli 2. Akselipidike
2. Kiristä akseli koon 19 kiintoavaimella, kun pidät akselipidikettä samalla paikallaan toisella koon 19 kiintoavaimella.
► **Kuva9:** 1. Akseli 2. Akselipidike

DUT131

1. Työnnä akseli niin syväälle istukkaan kuin se menee.
► **Kuva10:** 1. Akseli 2. Istukka
2. Kiristä istukka käsin ja aseta sitten istukka-avain jokaiseen kolmeen aukkoon ja kiristä istukka kääntämällä avainta myötäpäivään. Kiristä kaikkia kolme aukkoa tasaisesti istukka-avaimella.
► **Kuva11:** 1. Istukka-avain 2. Istukka

Irrota akseli kääntämällä istukka-avainta vastapäivään yhdestä kolosta ja löysäämällä sitten istukka käsin.

Sekoitusterän kiinnittäminen

Lisävaruste

Asenna sekoitusterä akselin päähän ja kiinnitä se kuusiopultilla.

- **Kuva12:** 1. Sekoitusterä 2. Akseli 3. Kuusiopultti

HUOMAUTUS: Varmista, että sekoitusterä on kiinnitetty ”UP”-merkki laitetta kohti.

- **Kuva13:** 1. Merkki

Koukku

Lisävaruste

HUOMIO: Poista akku aina, kun ripustat laitteen koukusta.

HUOMIO: Älä koskaan ripusta laitetta korkeaan paikkaan tai epävakaa alustalle.

- **Kuva14:** 1. Ura 2. Koukku 3. Ruuvi

Työkalu voidaan kätevästi ripustaa väliaikaisesti koukkuun. Tämä voidaan asentaa kummalle puolelle työkalua tahansa. Asenna koukku työntämällä se työkalun rungon uraan jommallekummalle puolelle ja varmista kiinnitys ruuvilla. Voit irrottaa koukun löysäämällä ja irrottamalla ruuvin.

Akselipidikkeen asentaminen ja irrottaminen

Lisävaruste

DUT131

1. Aseta kuusioavain istukkaan ja löysää istukkaa kuusioavaimella pitämällä samalla karaa paikallaan kiintoavaimella.
► **Kuva15:** 1. Kuusioavain 2. Istukka 3. Kiintoavain
2. Kiristä akselipidike koon 19 kiintoavaimella, kun pidät karaa samalla paikallaan toisella koon 19 kiintoavaimella.
► **Kuva16:** 1. Akselipidike 2. Kiintoavain

Akselipidike irrotetaan päinvastaisessa järjestyksessä.

TYÖSKENTELY

HUOMIO: Älä sekoita syttyviä materiaaleja tai käytä laitetta lähellä syttyviä materiaaleja, kuten liuottimella ohennettua maalia. Muuten seurauksena voi olla vammautuminen.

HUOMIO: Älä sekoita suuren viskositeetin materiaaleja, kuten laastia tai liimaa, suuren nopeuden tilassa. Muutoin laite saattaa karata hallinnasta ja aiheuttaa vamma.

HUOMAUTUS: Kun nostat sekoitusterää sekoittamisen aikana materiaalin pinnan yläpuolelle, varo materiaalin roiskumista.

1. Valitse suuri tai pieni nopeus sekoitettavan materiaalin perusteella.
2. Tartu laitteen takakahvaan yhdellä kädellä ja sivukahvaan toisella kädellä ja upota sekoitin kokonaan sekoitettavaan materiaaliin. Käynnistä laite vasta, kun olet varmistunut, että työalue on turvallinen.
3. Liikuta sekoitusterää ylös ja alas sekoituksen aikana, jotta materiaali sekoittuu kauttaaltaan.
4. Kun opetat sekoituksen, sammuta laite ja varmista, että sekoitusterä on kokonaan pysähtynyt ennen kuin nostat sen sekoitusastiasta.

KUNNOSSAPITO

HUOMIO: Varmista aina ennen tarkastusta tai huoltoa, että työkalu on sammutettu ja akku irrotettu.

HUOMAUTUS: Älä koskaan käytä bensiiniä, ohenteita, alkoholia tai tms. aineita. Muutoin pinta voi halkeilla tai sen värit ja muoto voivat muuttua. Muutoin laitteeseen voi tulla värjäytyksiä, muodon vääristymiä tai halkeamia.

Tuotteen TURVALLISUUDEN ja LUOTETTAVUUDEN takaamiseksi korjaukset, muut huoltotyöt ja säädöt on teetettävä Makitan valtuutetussa huoltopisteessä Makitan varaosia käyttäen.

LISÄVARUSTEET

HUOMIO: Seuraavia lisävarusteita tai laitteita suositellaan käytettäväksi tässä ohjeessa kuvatun Makita työkalun kanssa. Muiden lisävarusteiden tai laitteiden käyttö voi aiheuttaa henkilövahinkoja. Käytä lisävarusteita ja -laitteita vain niiden käyttötarkoituksen mukaisesti.

Jos tarvitset apua tai yksityiskohtaisempia tietoja seuraavista lisävarusteista, ota yhteys paikalliseen Makitan huoltoon.

- Sekoitusterä
- Akseli
- Akselipidike
- Koukku
- Aito Makitan akku ja laturi

HUOMAA: Jotkin luettelossa mainitut varusteet voivat sisältyä työkalun toimitukseen vakiovarusteina. Ne voivat vaihdella maittain.

SPECIFIKĀCIJAS

Modelis:		DUT130	DUT131
Ātrums bez slodzes	Liels ātrums	0–1 300 min ⁻¹	
	Mazs ātrums	0–350 min ⁻¹	
Maksimālais maišīšanas lāpstiņu diametrs		165 mm	
Kopējais garums (bez vārpstas un maišīšanas asmeņa)		320 mm	307 mm
Nominālais spriegums		Līdzstrāva 18 V	
Neto svars		2,5–2,8 kg	2,7–3,0 kg

- Nepārtrauktās izpētes un izstrādes programmas dēļ šeit uzrādītās specifikācijas var tikt mainītas bez brīdinājuma.
- Specifikācijas un akumulatora kasetne var atšķirties dažādās valstīs.
- Svārs var būt atšķirīgs atkarībā no papildierīces(-ēm), tostarp akumulatora kasetnes. Tabulā ir attēlota vieglākā un smagākā kombinācija atbilstoši EPTA procedūrai 01/2014.

Piemērotā akumulatora kasetne un lādētājs




Akumulatora kasetne	BL1815N / BL1820 / BL1820B / BL1830 / BL1830B / BL1840 / BL1840B / BL1850 / BL1850B / BL1860B
Lādētājs	DC18RC / DC18RD / DC18RE / DC18SD / DC18SE / DC18SF


- Daži no iepriekš norādītajiem lādētājiem un akumulatora kasetnēm var nebūt pieejami atkarībā no jūsu mītnes reģiona.

▲BRĪDINĀJUMS: Izmantojiet vienīgi iepriekš norādītās akumulatora kasetnes un lādētājus. Cita tipa akumulatora kasetņu un lādētāju izmantošana var radīt traumu un/vai aizdegšanās risku.

Simboli

Zemāk ir attēloti simboli, kas attiecas uz iekārtu. Pirms darbarīka izmantošanas pārliecinieties, vai pareizi izprotat to nozīmi.

-  Izlasiet lietošanas rokagrāmatu.
-  Neizmantojiet darbarīku lietū.
-  Nemazgājiet darbarīku ar ūdeni.

 Ni-MH
Li-Ion

Tikai ES valstīs
Neizmetiet elektroiekārtas vai akumulatoru māsāimniecības atkritumos!
Saskaņā ar Eiropas direktīvu par elektrisko un elektronisko iekārtu atkritumiem, kā arī par baterijām un akumulatoriem, un bateriju un akumulatoru atkritumiem un to īstenošanu saskaņā ar valsts likumdošanu lietotais elektriskais aprīkojums, baterijas un akumulators kalpošanas laika beigās jāsavāc atsevišķi un jānogādā otrreizējai pārstrādei vidi saudzējošā veidā.

Paredzētā lietošana

Šis darbarīks ir paredzēts sienu būvniecības un citu materiālu maišīšanai (izņemot viegli uzliesmojošus materiālus).

Trokšņa līmenis

Tipiskais A svērtais trokšņa līmenis noteikts saskaņā ar EN60745-2-1:

Modelis DUT130

Skaņas spiediena līmenis (L_{PA}): 74 dB (A)
Mainīgums (K): 3 dB (A)

Modelis DUT131

Skaņas spiediena līmenis (L_{PA}): 74 dB (A)
Mainīgums (K): 3 dB (A)

Darbības laikā trokšņa līmenis var pārsniegt 80 dB (A).

PIEZĪME: Paziņotā trokšņa emisijas vērtība noteikta atbilstoši standarta pārbaudes metodei, un to var izmantot, lai salīdzinātu vienu darbarīku ar citu.

PIEZĪME: Paziņoto trokšņa emisijas vērtību arī var izmantot iedarbības sākotnējā novērtējumā.

▲BRĪDINĀJUMS: Lietojiet ausu aizsargus.

▲BRĪDINĀJUMS: Trokšņa emisija patiesos darba apstākļos var atšķirties no paziņotās vērtības atkarībā no darbarīka izmantošanas veida un jo īpaši atkarībā no apstrādājamā materiāla veida.

▲BRĪDINĀJUMS: Lai aizsargātu lietotāju, nosakiet drošības pasākumus, kas pamatoti ar iedarbību reālos darba apstākļos (ņemot vērā visus ekspluatācijas cikla posmus, piemēram, laiku, kamēr darbarīks ir izslēgts un kad darbojas tukšgaitā, kā arī palaides laiku).

Vibrācija

Vibrācijas kopējā vērtība (trīsasu vektora summa) noteikta atbilstoši EN60745-2-1:

Modelis DUT130

Darba režīms: darbība bez slodzes
Vibrācijas izmēte (a_h): 2,5 m/s² vai mazāk
Mainīgums (K): 1,5 m/s²

Modelis DUT131

Darba režīms: darbība bez slodzes
Vibrācijas izmēte (a_h): 2,5 m/s² vai mazāk
Mainīgums (K): 1,5 m/s²

PIEZĪME: Paziņotā kopējā vibrācijas vērtība noteikta atbilstoši standarta pārbaudes metodei, un to var izmantot, lai salīdzinātu vienu darbarīku ar citu.

PIEZĪME: Paziņoto kopējo vibrācijas vērtību arī var izmantot iedarbības sākotnējā novērtējumā.

▲BRĪDINĀJUMS: Vibrācijas emisija patiesos darba apstākļos var atšķirties no paziņotās vērtības atkarībā no darbarīka izmantošanas veida un jo īpaši atkarībā no apstrādājamā materiāla veida.

▲BRĪDINĀJUMS: Lai aizsargātu lietotāju, nosakiet drošības pasākumus, kas pamatoti ar iedarbību reālos darba apstākļos (ņemot vērā visus ekspluatācijas cikla posmus, piemēram, laiku, kamēr darbarīks ir izslēgts un kad darbojas tukšgaitā, kā arī palaides laiku).

EK atbilstības deklarācija

Tikai Eiropas valstīm

EK atbilstības deklarācija šajā lietošanas rokasgrāmatā ir iekļauta kā A pielikums.

DROŠĪBAS BRĪDINĀJUMI

Vispārīgi elektrisko darbarīku drošības brīdinājumi

▲BRĪDINĀJUMS: Izlasiet visus drošības brīdinājumus, instrukcijas, apskatiet ilustrācijas un tehniskos datus, kas iekļauti mehanizētā darbarīka komplektācijā. Ja netiek ievēroti visi tālāk minētie noteikumi, var tikt izraisīta elektrotrauma, notikt aizdegšanās un/vai rasties smagas traumas.

Glabāriet visus brīdinājumus un norādījumus, lai varētu tajos ieskatīties turpmāk.

Termins „elektrisks darbarīks” brīdinājumos attiecas uz tādu elektrisko darbarīku, ko darbina ar elektrību (ar vadu), vai tādu, ko darbina ar akumulatoru (bez vada).

Akumulatora maisītāja drošības brīdinājumi

1. Turiet darbarīka rokturus ar abām rokām. Zaudējot kontroli, var gūt traumas.
2. Maisot uzliesmojošus materiālus, nodrošiniet pietiekamu ventilāciju, lai darba vietā nerastos bīstami apstākļi. Procesā radušies tvaiki var tikt ieelpoti vai tie var uzliesmot no dzirkstelēm, kas rodas darbarīka lietošanas laikā.
3. Neizmantojiet pārtikas produktu maisīšanai. Elektriskie darbarīki un to piederumi nav paredzēti pārtikas produktu apstrādei.
4. Maisīšanas trauks ir jānovieto stabilā un drošā vietā. Pienācīgi nenostiprināts trauks var negaidīti izkustēties.
5. Ievērojiet norādes un brīdinājumus attiecībā uz maisāmo materiālu. Maisāmais materiāls var būt bīstams.
6. Maisīšanas laikā nelieciet rokas vai jebkādu citu priekšmetu maisīšanas traukā. Saskare ar maisīšanas lāpstiņu var radīt smagus ievainojumus.
7. Iedarbiniet un izslēdziet darbarīku tikai tad, kad tas atrodas maisīšanas traukā. Maisītāja lāpstiņa var izlieties vai griezties neparedzētā veidā.
8. Raugieties, lai uz darbarīka korpusa neuzšķīdās šķidrums. Ja elektriskajā darbarīkā iekļūst šķidrums, tas var sabojāt darbarīku.
9. Izmantojiet papildu rokturus, ja tie nodrošināti kopā ar darbarīku. Zaudējot kontroli, var gūt traumas.
10. Strādājot turiet elektrisko darbarīku aiz izolētajām satveršanas virsmām gadījumā, ja instrumentos saskaras ar nepamanītu elektroinstalācijas elementu. Instrumentam saskaroties ar vadu, kurā plūst strāva, elektriskā darbarīka metāla daļas var vadīt šo strāvu un radīt elektriskā trieciena risku.
11. Vienmēr stāviet uz stabila pamata. Ja lietojat darbarīku, strādājot lielā augstumā virs zemes, pārliecinieties, ka apakšā neviena nav.
12. Turiet darbarīku cieši.
13. Rokas netuviniet rotējošām daļām.
14. Neatstājiet darbarīku ieslēgtu. Darbiniet darbarīku tikai tad, kad tas ir satverts rokās.
15. Daži materiāli satur ķīmiskas vielas, kas var būt toksiskas. Neieelpojiet putekļus un neļaujiet tiem nokļūt uz ādas. Ievērojiet materiāla ražotāja sniegtos drošības brīdinājumus.
16. Maisīšanas laikā maisīšanas traukam ir jāatrodas uz līdzenas un stabilas virsmas.

SAGLABĀJIET ŠOS NORĀDĪJUMUS.

▲BRĪDINĀJUMS: NEPIEĻAUJIET to, ka labu iemaņu vai izstrādājuma labas pārzināšanas (darbarīku atkārtoti ekspluatējot) rezultātā vairs stingri neievērojāt šī izstrādājuma drošības noteikumus. NEPAREIZI LIETOJOT darbarīku vai neievērojot šajā instrukciju rokasgrāmatā minētos drošības noteikumus, var tikt gūtas smagas traumas.

Svarīgi drošības norādījumi par akumulatora kasetni

1. Pirms akumulatora lietošanas izlasiet visus norādījumus un brīdinājumus, kuri attiecas uz (1) akumulatora lādētāju, (2) akumulatoru un (3) ierīci, kurā tiek izmantots akumulators.
 2. Neizjauciet akumulatoru.
 3. Ja akumulatora darbības laiks kļūva ievērojami īsāks, nekavējoties pārtrauciet to izmantot. Citādi, tas var izraisīt pārkarsējumu, uzliesmojumu vai pat sprādzienu.
 4. Ja elektrolīts nonāk acīs, izskalojiet tās ar tīru ūdens un nekavējoties griezieties pie ārsta. Tas var izraisīt redzes zaudēšanu.
 5. Neradiet īssavienojumu akumulatora kasetnē:
 - (1) Nepieskarieties spaiļēm ar elektrību vadošiem materiāliem.
 - (2) Neuzglabājiet akumulatoru kasetni kopā ar citiem metāla priekšmetiem, tādiem kā naglas, monētas u. c.
 - (3) Nepakļaujiet akumulatora kasetni ūdens vai lietus iedarbībai.
- Akumulatora īssavienojums var radīt spēcīgu strāvas plūsmu, pārkaršanu, uzliesmojumu un pat sabojāt akumulatoru.
6. Neglabājiet darbarīku un akumulatora kasetni vietās, kur temperatūra var sasniegt vai pārsniegt 50 °C (122 °F).
 7. Nededziniet akumulatora kasetni, pat ja tā ir stipri bojāta vai pilnībā nolietota. Akumulatora kasetne uguni var eksplodēt.
 8. Uzmanieties, lai neļautu akumulatoram nokrist un nepakļautu to sitienam.
 9. Neizmantojiet bojātu akumulatoru.
 10. Uz izmantotajiem litija jonu akumulatoriem attiecas likumdošanas prasības par bīstamiem izstrādājumiem.

Komerציālā transportēšanā, ko veic, piemēram, trešās puses, transporta uzņēmumi, jāievēro uz iesaņņojuma un marķējuma norādītās īpašās prasības.

Lai izstrādājumu sagatavotu nosūtīšanai, jāsaziņās ar bīstamo materiālu speciālistu. Ievērojiet arī citus attiecināmos valsts normatīvus.

Valējus kontaktus nosedziet ar līmteni vai citādi pārklājiet, bet akumulatoru iesaņņojiet tā, lai sainītas nevarētu izkustēties.

11. Ievērojiet vietējos noteikumus par akumulatora likvidēšanu.
12. Izmantojiet šos akumulatorus tikai ar izstrādājumiem, kurus norādījis Makita. Ievietojiet šos akumulatorus nesaderīgos izstrādājumos, var rasties ugunsgrēks, pārmērīgs karstums, tie var uzsprāgt vai no tiem var iztecēt elektrolīts.

SAGLABĀJIET ŠOS NORĀDĪJUMUS.

UZMANĪBU: Lietojiet tikai oriģinālos Makita akumulatorus. Ja lietojat neoriģinālus Makita akumulatorus vai pārveidotus akumulatorus, tie var uzsprāgt un izraisīt aizdegšanos, traumas un materiālos zaudējumus. Tiks anulēta arī Makita darbarīka un lādētāja garantija.

Ieteikumi akumulatora kalpošanas laika pagarināšanai

1. Uzlādējiet akumulatora kasetni, pirms tā ir pilnībā izlādējusies. Vienmēr, kad ievērojiet, ka darbarīka darba jauda zudusi, apturiet darbarīku un uzlādējiet akumulatora kasetni.
2. Nekad neuzlādējiet pilnībā uzlādētu akumulatora kasetni. Pārmērīga uzlāde saīsina akumulatora kalpošanas laiku.
3. Uzlādējiet akumulatora kasetni istabas temperatūrā 10 °C - 40 °C. Karstai akumulatora kasetnei pirms uzlādes ļaujiet atdzist.
4. Uzlādējiet litija jonu akumulatora kasetni, ja to ilgstoši nelietosit (vairāk nekā sešus mēnešus).

FUNKCIJU APRAKSTS

UZMANĪBU: Pirms darbarīka regulēšanas vai tā darbības pārbaudes vienmēr pārlicinieties, ka darbarīks ir izslēgts un akumulatora kasetne ir izņemta.

Akumulatora kasetnes uzstādīšana un izņemšana

UZMANĪBU: Vienmēr pirms akumulatora kasetnes uzstādīšanas vai noņemšanas izslēdziet darbarīku.

UZMANĪBU: Uzstādot vai izņemot akumulatora kasetni, darbarīku un akumulatora kasetni turiet cieši. Ja darbarīku un akumulatora kasetni netur cieši, tie var izkrist no rokām un radīt bojājumus darbarīkam un akumulatora kasetnei, kā arī izraisīt ievainojumus.

UZMANĪBU: Neizmantojiet darbarīku ar akumulatora adapteri. Ja darbarīkam ir pievienots akumulatora adapteris, nevar aizvērt akumulatora pārsegu, un darbarīka lietošana ar atvērtu pārsegu var radīt traumas.

Lai atvērtu akumulatora pārsegu, spiediet akumulatora pārsega pogu.

► **Att.1:** 1. Poga 2. Akumulatora pārsegs

Lai izņemtu akumulatora kasetni, izvelciet to no darbarīka, pārbdot kasetnes priekšpusē esošo pogu.

► **Att.2:** 1. Sarkanās krāsas indikators 2. Poga 3. Akumulatora kasetne

Lai uzstādītu akumulatora kasetni, salāgojiet mēlīti uz akumulatora kasetnes ar rienu ietvarā un iebīdīet to vietā. Ievietojiet to līdz galam, līdz tā ar klikšķi nofiksējas. Ja pogas augšējā daļā redzams sarkanās krāsas indikators, tas nozīmē, ka tā nav pilnīgi fiksēta.

Kad akumulatora kasetne ir ievietota, cieši aizveriet akumulatora pārsegu.

UZMANĪBU: Vienmēr ievietojiet akumulatora kasetni tā, lai sarkanais indikators nebūtu redzams. Pretējā gadījumā tā var nejauši izkrist no darbarīka un izraisīt jums vai apkārtējiem traumas.










UZMANĪBU: Neievietojiet akumulatora kasetni ar spēku. Ja kasetne neslīd ietvarā viegli, tā nav pareizi ielikta.

Atlikušās akumulatora jaudas indikators

Tikai akumulatora kasetnēm ar indikatoru

► **Att.3:** 1. Indikatora lampas 2. Pārbaudes poga

Nospiediet akumulatora kasetnes pārbaudes pogu, lai pārbaudītu akumulatora atlikušo uzlādes līmeni. Indikatoru iedegsies uz dažām sekundēm.

Indikatora lampas			Atlikušī jauda
 Iedegsies	 Izslēgts	 Mirgo	
			No 75% līdz 100%
			No 50% līdz 75%
			No 25% līdz 50%
			No 0% līdz 25%
			Uzlādējiet akumulatoru.
			Iespējama akumulatora kļūme.

PIEZĪME: Reālā jauda var nedaudz atšķirties no norādītās atkarībā no lietošanas apstākļiem un apkārtējās temperatūras.

Darbarīka/akumulatora aizsardzības sistēma

Darbarīkam ir darbarīka/akumulatora aizsardzības sistēma. Šī sistēma automātiski izslēdz strāvas padevi motoram, lai pagarinātu darbarīka un akumulatora darbmūžu. Lietošanas laikā darbarīks automātiski pārstās darboties, ja darbarīku vai akumulatoru pakļaus kādam no šādiem apstākļiem.

Aizsardzība pret pārslodzi

Ja darbarīku/akumulatoru lieto tā, ka tas patērē pārmērīgi lielu strāvas daudzumu, darbarīks automātiski, bez iepriekšēja brīdinājuma pārstāj darboties. Šādā gadījumā izslēdziet darbarīku un pārtrauciet darbību, kas izraisīja pārslodzi. Pēc tam izslēdziet darbarīku, lai atsāktu darbu.

Aizsardzība pret pārkaršanu

Kad darbarīks/akumulators ir pārkaršis, darbarīks automātiski pārstāj darboties. Šādā gadījumā ļaujiet darbarīkam un akumulatoram atdzist un tikai tad atkal izslēdziet darbarīku.

Aizsardzība pret akumulatora pārmērīgu izlādi

Ja akumulatora jaudas līmenis ir zems, darbarīks automātiski pārstāj darboties. Šajā gadījumā akumulatoru izņemiet no darbarīka un uzlādējiet.

Slēdža darbība

▲UZMANĪBU: Pirms akumulatora kasetnes uzstādīšanas darbarīkā vienmēr pārbaudiet, vai slēdža mēlīte darbojas pareizi un pēc atlaišanas atgriežas stāvoklī „OFF” (izslēgts).


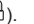
▲UZMANĪBU: Slēdzi var ieslēgt “ON” (ieslēgts) stāvoklī, lai atvieglotu operatora darbu ilgstoša darba laikā. Esiet uzmanīgi, ieslēdzot darbarīku “ON” (ieslēgts) stāvoklī, un turpiniet cieši turēt darbarīku.

▲UZMANĪBU: Neuzstādiet akumulatora kasetni, kad nospiesta bloķēšanas poga.

▲UZMANĪBU: Kad darbarīku neizmantojat, nospiediet mēlītes bloķēšanas pogu  pusē, lai bloķētu slēdža mēlīti pozīcijā „OFF” (izslēgts).

► **Att.4:** 1. Mēlītes bloķēšanas poga

► **Att.5:** 1. Slēdža mēlīte 2. Bloķēšanas poga
3. Mēlītes bloķēšanas poga

Lai aizsargātu no slēdža mēlītes nejaušas nospiešanas, darbarīkam ir mēlītes bloķēšanas poga. Lai ieslēgtu darbarīku, nospiediet bloķēšanas pogu „A” pusē () un nospiediet slēdža mēlīti. Darbarīka ātrumu palielina, pastiprinot spiedienu uz slēdža mēlītes. Lai apturētu darbarīku, atlaidiet slēdža mēlīti. Pēc lietošanas nospiediet mēlītes bloķēšanas pogu no „B” puses ()

Lai aktivizētu nepārtrauktās darbības režīmu, nospiediet slēdža mēlīti, tad nospiediet bloķēšanas pogu un visbeidzot – atlaidiet slēdža mēlīti. Lai apstādinātu darbarīku, pilnībā nospiediet slēdža mēlīti un tad atlaidiet to.

Ātruma regulēšana

IEVĒRĪBAI: Izmantojiet ātruma regulēšanas slēdzi tikai tad, kad darbarīks ir pilnībā apstājies. Ātruma maiņa pirms darbarīka pilnīgas apstāšanās var to sabojāt.

IEVĒRĪBAI: Ātruma regulēšanas slēdzi vienmēr uzmanīgi pavirziet pareizajā pozīcijā. Ja darbināsiet darbarīku, kad ātruma regulēšanas slēdzis ir novietots starp 1. un 2. pozīciju, darbarīks var tikt bojāts.

IEVĒRĪBAI: Ja ātrās darbības režīmā ievērojami palēninās rotācijas ātrums, apturiet darbarīku un pārslēdziet to uz mazo darbības ātrumu. Citādi var tikt pārslogots motors un ir iespējama kļūdaina darbība vai aizdegšanās.

Ar ātruma regulēšanas slēdzi var priekšstatīt kādu no diviem ātruma diapazoniem.

Lai izmainītu ātrumu, pagrieziet ātruma regulēšanas slēdzi tā, lai rādītājs būtu pavērsts uz 1. pozīciju mazam ātrumam vai uz 2. pozīciju lielam ātrumam.

► **Att.6:** 1. Rādītājs 2. Ātruma regulēšanas slēdzis

Nejaušas atkārtotas ieslēgšanas nepieļaušanas funkcija

Ja ievietosiet akumulatora kasetni, kamēr ir nospiesta vai nofiksēta slēdža mēlīte, darbarīku nevarēs iedarbināt. Lai iedarbinātu darbarīku, atlaidiet un tad atkal nospiediet slēdža mēlīti.

Elektronika

Lai atvieglotu lietošanu, darbarīks ir aprīkots ar elektroniskām funkcijām.

- Laidena ieslēgšana
Laidena ieslēgšana mazina iedarbināšanas triecienu, un darbarīks uzsāk darbību vienmērīgi.

MONTĀŽA

UZMANĪBU: Pirms darbarīka regulēšanas vai apkopes vienmēr pārliecinieties, ka darbarīks ir izslēgts un akumulatora kasetne ir izņemta.

Priekšējā pārsega un sānu roktura uzstādīšana

UZMANĪBU: Cieši pievelciet sānu rokturi. Citādi priekšējais pārsegs var nokrist un izraisīt traumu.

- **Att.7:** 1. Priekšējais pārsegs 2. Sānu rokturis

Piestipriniet darbarīkam priekšējo pārsegu un tad cieši pieskrūvējiet sānu rokturi.

Sānu rokturi var uzstādīt jebkurā darbarīka pusē.

Vārpstas uzstādīšana

Papildpiederumi

Modelim DUT130

1. Nostipriniet vārpstu turētāja.

- **Att.8:** 1. Vārpsta 2. Vārpstas turētājs

2. Pievelciet vārpstu ar 19. izmēra uzgriežņu atslēgu, vienlaikus ar otru 19. izmēra uzgriežņu atslēgu turot vārpstas turētāju.

- **Att.9:** 1. Vārpsta 2. Vārpstas turētājs

Modelim DUT131

1. Ievietojiet vārpstu līdz galam spīlpatronā.

- **Att.10:** 1. Vārpsta 2. Spīlpatrona

2. Pievelciet spīlpatronu ar roku un tad ievietojiet spīlpatronas atslēgu katrā no trim atverēm un pievelciet to, griežot pretēji pulksteņrādītāju kustības virzienam. Spīlpatronas atslēgu visās trīs atverēs lietojiet ar vienādu spēku.

- **Att.11:** 1. Spīlpatronas atslēga 2. Spīlpatrona

Lai izņemtu vārpstu, griežiet spīlpatronas atslēgu pretēji pulksteņrādītāju kustības virzienam vienā atverē un tad atbrīvojiet spīlpatronu ar roku.

Maisīšanas lāpstiņas uzstādīšana

Papildpiederumi

Piestipriniet maisīšanas lāpstiņu pie vārpstas augšējās daļas un tad nostipriniet to ar seššķautņu bultskrūvi.

- **Att.12:** 1. Maisīšanas lāpstiņa 2. Vārpsta
3. Seššķautņu bultskrūve

IEVĒRĪBAI: Piestiprinot jaukšanas lāpstiņu, atzīmei „UP” ir jābūt vērstai pret darbarīku.

- **Att.13:** 1. Atzīme

Āķis

Papildpiederumi

UZMANĪBU: Vienmēr izņemiet akumulatoru, kad karat darbarīku aiz āķa.

UZMANĪBU: Nekad nekariet darbarīku uz āķa lielā augstumā vai uz iespējami nestabilas virsmas.

- **Att.14:** 1. Rieva 2. Āķis 3. Skrūve

Āķis ir noderīgs darbarīka īslaicīgai uzkarināšanai. To var uzstādīt jebkurā darbarīka pusē.

Lai uzstādītu āķi, ievietojiet to rievē jebkurā darbarīka korpusa pusē, un tad ar skrūvi pieskrūvējiet. Lai to izņemtu, atskrūvējiet skrūvi vajlgāk un izņemiet āķi.

Vārpstas turētāja uzstādīšana vai noņemšana

Papildpiederumi

Modelim DUT131

1. Ievietojiet sešstūru atslēgu spīlpatronā un atbrīvojiet spīlpatronu ar atslēgu, vienlaikus turot vārpstu ar uzgriežņu atslēgu.

- **Att.15:** 1. Sešstūru atslēga 2. Spīlpatrona
3. Uzgriežņu atslēga

2. Pievelciet vārpstas turētāju ar 19. izmēra uzgriežņu atslēgu, vienlaikus ar otru 19. izmēra uzgriežņu atslēgu turot vārpstu.

- **Att.16:** 1. Vārpstas turētājs 2. Uzgriežņu atslēga

Lai noņemtu vārpstas turētāju, izpildiet uzstādīšanas darbības pretējā secībā.

EKSPLUATĀCIJA

UZMANĪBU: Nemaisiet uzliesmojošus materiālus, kā arī neizmantojiet darbarīku uzliesmojošu materiālu tuvumā, piemēram, līdzās krāsai, kurā atšķaidītājs lietots kā šķīdinātājs. Neievērojot šo noteikumu, var gūt ievainojumus.

UZMANĪBU: Nemaisiet izteikti viskozus materiālus, piemēram, javu vai saistvielas, ātrās darbības režīmā. Jūs varat zaudēt kontroli pār darbarīku un radīt smagas traumas.

IEVĒRĪBAI: Ja maisīšanas laikā maisīšanas lāpstiņa atrodas ārpus materiāla, raugieties, lai materiāls nešļakstītos.

1. Izvēlieties lielu vai mazu ātrumu atkarībā no maisāmā materiāla.
2. Ar vienu roku cieši turot darbarīka aizmugurējo rokturi un ar otru roku – rokturi, ievietojiet maisīšanas lāpstiņu līdz galam materiālā un ieslēdziet darbarīku, pirms tam pārbaudot darba vietas drošību.
3. Maisot virziet maisīšanas lāpstiņu uz augšu un uz leju, lai pilnībā samaisītu visu materiālu.
4. Pabeidzot maisīšanu, izslēdziet darbarīku, pārbaudiet, vai maisīšanas lāpstiņa ir pilnībā apstājusies, un tad izvelciet to ārā no maisīšanas trauka.

APKOPE

⚠ UZMANĪBU: Pirms darbarīka pārbaudes vai apkopes vienmēr pārlicinieties, ka darbarīks ir izslēgts un akumulatora kasetne ir izņemta.

IEVĒRĪBAI: Nekad neizmantojiet gazolinu, benzīnu, atšķaidītāju, spirtu vai līdzīgus šķidrumus. Tas var radīt izbalēšanu, deformāciju vai plaisas.

Lai saglabātu izstrādājuma DROŠU un UZTICAMU darbību, remontdarbus, apkopi un regulēšanu uzticiet veikt tikai Makita pilnvarotam vai rūpnīcas apkopes centram, un vienmēr izmantojiet tikai Makita rezerves daļas.

PAPILDU PIEDERUMI

⚠ UZMANĪBU: Šādi piederumi un papildierīces tiek ieteiktas lietošanai ar šajā rokasgrāmatā aprakstīto Makita darbarīku. Izmantojot citus piederumus vai papildierīces, var tikt radīta trauma gūšanas bīstamība. Piederumu vai papildierīci izmantojiet tikai paredzētajam mērķim.

Ja jums vajadzīga palīdzība vai precīzāka informācija par šiem piederumiem, vērsieties savā tuvākajā Makita apkopes centrā.

- Maisīšanas lāpstiņa
- Vārpsta
- Vārpstas turētājs
- Āķis
- Makita oriģinālais akumulators un lādētājs

PIEZĪME: Daži sarakstā norādītie izstrādājumi var būt iekļauti instrumenta komplektācijā kā standarta piederumi. Tie dažādās valstīs var būt atšķirīgi.

SPECIFIKACIJOS

Modelis:		DUT130	DUT131
Be apkrovos	Didelis greitis	0–1 300 min ⁻¹	
	Mažas greitis	0–350 min ⁻¹	
Didžiausias maišymo peilio skersmuo		165 mm	
Bendras ilgis (be ašies ir maišymo peilio)		320 mm	307 mm
Vardinė įtampa		Nuol. sr. 18 V	
Grynasis svoris		2,5–2,8 kg	2,7–3,0 kg

- Atlikame tęstinius tyrimus ir nuolatos tobuliname savo gaminius, todėl čia pateikiamos specifikacijos gali būti keičiamos be įspėjimo.
- Įvairiose šalyse specifikacijos ir akumuliatoriaus kasetė gali skirtis.
- Svoris gali priklausyti nuo priedo (-ų), įskaitant akumuliatoriaus kasetę. Lengviausias ir sunkiausias deriniai pagal EPTA 2014 m. sausio mėn. procedūrą yra parodyti lentelėje.

Tinkama akumuliatoriaus kasetė ir (arba) įkroviklis

Akumuliatoriaus kasetė	BL1815N / BL1820 / BL1820B / BL1830 / BL1830B / BL1840 / BL1840B / BL1850 / BL1850B / BL1860B
Įkroviklis	DC18RC / DC18RD / DC18RE / DC18SD / DC18SE / DC18SF

- Atsižvelgiant į gyvenamosios vietos regioną, kai kurios pirmiau nurodytos akumuliatoriaus kasetės ir įkrovikliai gali būti neprieinami.

⚠️ ĮSPĖJIMAS: Naudokite tik akumuliatoriaus kasetes ir įkroviklius, kurie nurodyti anksčiau. Naudojant bet kurias kitas akumuliatoriaus kasetes ir įkroviklius, gali kilti sužeidimo ir gaisro pavojus.

Simboliai

Toliau yra nurodyti įrangai naudojami simboliai. Prieš naudodami įsitikinkite, ar suprantate jų reikšmę.



Perskaitykite instrukcijų vadovą.



Nenaudokite šio įrankio lyjant.



Įrankiui valyti nenaudokite vandens.



Taikoma tik ES šalims
Neišmeskite elektros įrangos arba akumuliatoriaus bloko į buitinius šiukšlynus! Atsižvelgiant į ES direktyvas dėl elektros ir elektroninės įrangos atliekų, dėl baterijų ir akumuliatorių bei baterijų ir akumuliatorių atliekų ir šių direktyvų siekių įgyvendinimą pagal nacionalinius įstatymus, elektros įrangos ir baterijų bei akumuliatorių atliekas būtina surinkti atskirai nuo kitų buitinių atliekų ir atiduoti į antrinių žaliavų perdirbimo aplinkai nekenksmingu būdu punktą.

Numatytoji naudojimo paskirtis

Šis įrankis skirtas sienos medžiagoms ir pan. maišyti (išskyrus degias medžiagas).

Triukšmas

Įprastas triukšmo A lygis, nustatytas pagal EN60745-2-1:

Modelis DUT130

Garso slėgio lygis (L_{pA}): 74 dB (A)

Paklaida (K): 3 dB (A)

Modelis DUT131

Garso slėgio lygis (L_{pA}): 74 dB (A)

Paklaida (K): 3 dB (A)

Dirbant triukšmo lygis gali viršyti 80 dB (A).

PASTABA: Paskelbta (-os) triukšmo reikšmė (-ės) nustatyta (-os) pagal standartinį testavimo metodą ir ji galima naudoti vienam įrankiui palyginti su kitu.

PASTABA: Paskelbta (-os) triukšmo reikšmė (-ės) taip pat gali būti naudojama (-os) norint preliminariai įvertinti triukšmo poveikį.

⚠️ ĮSPĖJIMAS: Dėvėkite ausų apsaugą.

⚠️ ĮSPĖJIMAS: Faktiškai naudojant elektrinį įrankį, keliamo triukšmo dydis gali skirtis nuo paskelbtos (-ų) reikšmės (-ių), priklausomai nuo būdų, kuriais yra naudojamas šis įrankis, ir ypač nuo to, kokio tipo ruošinys apdirbamas.

⚠️ ĮSPĖJIMAS: Siekdami apsaugoti operatorių, būtina įvertinkite saugos priemones, remdamiesi vibracijos poveikio įvertinimu esant faktinėms naudojimo sąlygoms (atsižvelgdami į visas darbo ciklo dalis, pavyzdžiui, ne tik kiek laiko įrankis veikia, bet ir kiek kartų jis yra išjungiamas bei kai jis veikia be apkrovų).

Vibracija

Vibracijos bendroji vertė (trიაšio vektorius suma) nustatyta pagal EN60745-2-1 standartą:

Modelis DUT130

Darbo režimas: veikimas be apkrovos
Vibracijos emisija (a_{hv}): 2,5 m/s² arba mažiau
Paklaida (K): 1,5 m/s²

Modelis DUT131

Darbo režimas: veikimas be apkrovos
Vibracijos emisija (a_{hv}): 2,5 m/s² arba mažiau
Paklaida (K): 1,5 m/s²

PASTABA: Paskelbta (-os) vibracijos bendroji (-osios) reikšmė (-ės) nustatyta (-os) pagal standartinį testavimo metodą ir jį galima naudoti vienam įrankiui palyginti su kitu.

PASTABA: Paskelbta (-os) vibracijos bendroji (-osios) reikšmė (-ės) taip pat gali būti naudojama (-os) norint preliminariai įvertinti vibracijos poveikį.

⚠️ ĮSPĖJIMAS: Faktiškai naudojant elektrinį įrankį, keliamos vibracijos dydis gali skirtis nuo paskelbtos (-ų) reikšmės (-ių), priklausomai nuo būdų, kuriais yra naudojamas šis įrankis, ir ypač nuo to, kokio tipo ruošinys apdirbamas.

⚠️ ĮSPĖJIMAS: Siekdami apsaugoti operatorių, būtina įvertinkite saugos priemones, remdamiesi vibracijos poveikio įvertinimu esant faktinėms naudojimo sąlygoms (atsižvelgdami į visas darbo ciklo dalis, pavyzdžiui, ne tik kiek laiko įrankis veikia, bet ir kiek kartų jis yra išjungiamas bei kai jis veikia be apkrovų).

EB atitikties deklaracija

Tik Europos šalims

EB atitikties deklaracija yra pridedama kaip šio instrukcijos vadovo A priedas.

SAUGOS ĮSPĖJIMAI

Bendrieji įspėjimai dirbant elektriniais įrankiais

⚠️ ĮSPĖJIMAS: Perskaitykite visus saugos įspėjimus, instrukcijas, iliustracijas ir techninius duomenis, pateiktus kartu su šiuo elektriniu įrankiu. Simultane visų toliau išvardytų instrukcijų galima patirti elektros smūgį, gali kilti gaisras ir (arba) galima sunkiai susižaloti.

Išsaugokite visus įspėjimus ir instrukcijas, kad galėtumėte jas peržiūrėti ateityje.

Terminas „elektrinis įrankis“ pateiktuose įspėjimuose reiškia į maitinimo tinklą jungiamą (laidinį) elektrinį įrankį arba akumuliatoriaus maitinamą (belaidį) elektrinį įrankį.

Saugos įspėjimai dėl akumuliatorinio maišytuvo naudojimo

1. Įrankį neškite abiem rankomis už tam skirtų rankenų. Nesuvaldžius įrankio, galima susižeisti.
2. Kai maišote degias medžiagas, kad nesudaryti pavojinga atmosfera, pasirūpinkite pakankamu vėdinimu. Išsiskyrusius garus galima įkvėpti arba juos gali uždegti elektrinio įrankio sklaidžiamos kibirkštys.
3. Nemaišykite maisto. Elektriniai įrankiai ir jų priedai nėra skirti naudoti maistui.
4. Maišymo indą padėkite lygioje ir patikimai įtvirtintoje padėtyje. Netinkamai pritvirtintas indas gali netikėtai pajudėti.
5. Laikykitės instrukcijų ir įspėjimų dėl medžiagos, kurią ketinate maišyti. Medžiaga, kurią maišysite, gali būti žalinga.
6. Kol maišoma, neikiškite rankų į maišymo indą ar į jį nedėkite jokių kitų objektų. Prisilietus prie maišytuvo peilio, galima sunkiai susižeisti.
7. Paleiskite įrankį ir leiskite jam paveikti tik maišymo inde. Maišytuvo peilis gali sulinkti arba imti nevaldomai sukintis.
8. Pasirūpinkite, kad ant elektrinio įrankio korpuso neužtikštų jokių skysčių. Į elektrinį įrankį patekęs skystis gali jį sugadinti.
9. Naudokite pagalbines rankenas, jei jos pateiktos su įrankiu. Nesuvaldžius įrankio, galima susižeisti.
10. Atlikdami darbus, kurių metu pjovimo antgalis gali paliesti paslėptus laidus, laikykite elektrinį įrankį tik už izoliuotų, laikyti skirtų paviršių. Pjovimo antgaliai prisilietus prie laido, kuriuo teka elektros srovė, neizoliuotos metalinės elektrinio įrankio dalys gali sukelti elektros smūgį ir nutrenkti operatorių.
11. Būtinai įsitinkite, kad tvirtai stovite. Jei naudojate įrankį aukštai, įsitinkite, kad apačioje nėra žmonių.
12. Tvirtai laikykite įrankį.
13. Laikykite rankas toliau nuo sukamųjų dalių.
14. Nepalikite veikiančio įrankio. Įrankį paleiskite veikti tik jį laikydami.
15. Kai kuriose medžiagose yra nuodingų chemikalų. Saugokitės, kad neįkvėptumėte dulkių ir nesiliestumėte oda. Laikykitės medžiagos tiekėjo pateiktų saugos įspėjimų.
16. Prieš pradėdami maišyti, padėkite maišymo indą ant lygaus ir stabilaus paviršiaus.

SAUGOKITE ŠIAS INSTRUKCIJAS.

⚠️ ĮSPĖJIMAS: NELEISKITE, kad patogumas ir gaminio pažinimas (įgyjamas pakartotinai naudojant) susilpnintų griežtą saugos taisyklių, taisytinių šiam gaminiui, laikymąsi. Dėl NETINKAMO NAUDOJIMO arba saugos taisyklių, kurios pateiktos šioje instrukcijoje, nesilaikymo galima rimtai susižeisti.

Svarbios saugos instrukcijos, taikomos akumulatoriaus kasetei

1. Prieš naudodami akumulatoriaus kasetę, perskaitykite visas instrukcijas ir perspėjimus ant (1) akumuliatorių įkroviklio, (2) akumuliatorių ir (3) akumuliatorių naudojančio gaminio.
2. Neardykite akumulatoriaus kasetės.
3. Jei įrankio darbo laikas žymiai sutrumpėjo, nedelsdami nutraukite darbą su įrankiu. Tai gali kelti perkaitimo, nudegimų ar net sprogdimo pavojų.
4. Jei elektrolitas pateko į akis, plaukite jas tyru vandeniu ir nedelsdami kreipkitės į gydytoją. Gali kilti regėjimo praradimo pavojus.
5. Neužtrumpinkite akumulatoriaus kasetės:
 - (1) Neliaskite kontaktų degiomis medžiagomis.
 - (2) Venkite laikyti akumulatoriaus kasetę kartu su kitais metaliniais daiktais, pavyzdžiui, vinimis, monetomis ir pan.
 - (3) Saugokite akumulatoriaus kasetę nuo vandens ir lietaus.Trumpasis jungimas akumuliatoriuje gali sukelti stiprią srovę, perkaitimą, galimus nudegimus ar net akumulatoriaus gedimą.
6. Nelaikykite įrankio ir akumulatoriaus kasetės vietoje, kur temperatūra gali pasiekti ar viršyti 50 °C.
7. Nedeginkite akumulatoriaus kasetės, net jei yra stipriai pažeista ar visiškai susidėvėjusi. Ugnyje akumulatoriaus kasetė gali sprogti.
8. Saugokite akumuliatorių nuo kritimo ir smūgių.
9. Nenaudokite pažeisto akumulatoriaus.
10. Įdėtoms ličio jonų akumuliatoriams taikomi Pavojingų prekių teisės akto reikalavimai. Komercinis transportas, pvz., trečiųjų šalių, prekių vežimo atstovų, turi laikytis specialaus reikalavimo ant pakuotės ir ženklavimo. Norėdami paruošti siųstiną prekę, pasitarkite su pavojingų medžiagų specialistu. Be to, laikykitės galimai išsamesnių nacionalinių reglamentų. Užklijuokite juosta arba padenkite atvirus kontaktus ir supakuokite akumuliatorių taip, kad ji pakuotėje nejudėtų.
11. Vadovaukitės vietos įstatymais dėl akumuliatorių išmetimo.
12. Baterijas naudokite tik su „Makita“ nurodytais gaminiais. Baterijas įdėjus į netinkamus gaminius gali kilti gaisras, gaminys pernelyg kaisti, kilti sprogdimas arba pratekėti elektrolitas.

SAUGOKITE ŠIAS INSTRUKCIJAS.

▲PERSPĖJIMAS: Naudokite tik originalų „Makita“ akumuliatorių. Neoriginalaus „Makita“ arba pakeisto akumulatoriaus naudojimas gali nulemti gaisrą, asmens sužalojimą ir pažeidimą. Tai taip pat panaikina „Makita“ suteikiamą „Makita“ įrankio ir įkroviklio garantiją.

Patarimai, ką daryti, kad akumulatoriaus veiktų kuo ilgiau

1. Pakraukite akumulatoriaus kasetę prieš jai visiškai išsikraunant. Visuomet nustokite naudoti įrankį ir pakraukite akumulatoriaus kasetę, kai pastebite, kad įrankio galia sumažėjo.
2. Niekada nekraukite iki galo įkrautos akumulatoriaus kasetės. Perkraunant trumpėja akumulatoriaus eksploatacijos laikas.
3. Akumulatoriaus kasetę kraukite esant kambario temperatūrai 10 - 40 °C. Prieš pradėdami krauti, leiskite įkautusiai akumulatoriaus kasetei atvėsti.
4. Įkraukite akumulatoriaus kasetę, jei jos nenaudojate ilgą laiką (ilgiau nei šešis mėnesius).

VEIKIMO APRAŠYMAS

▲PERSPĖJIMAS: Prieš pradėdami reguliuoti arba tikrinti įrankio veikimą, visuomet būtinai išjunkite įrankį ir išimkite akumulatoriaus kasetę.

Akumulatoriaus kasetės uždėjimas ir nuėmimas

▲PERSPĖJIMAS: Prieš įdėdami arba išimdami akumulatoriaus kasetę, visada išjunkite įrankį.

▲PERSPĖJIMAS: Įdėdami arba išimdami akumulatoriaus kasetę, tvirtai laikykite įrankį ir akumulatoriaus kasetę. Jeigu įrankį ir akumulatoriaus kasetę laikysite netvirtai, jie gali išslysti iš jūsų rankų, todėl įrankis ir akumulatoriaus kasetė gali būti sugadinti, o naudotojas sužalotas.

▲PERSPĖJIMAS: Su šiuo įrankiu nenaudokite akumulatoriaus adapterio. Prijungus akumulatoriaus adapterį prie įrankio, akumulatoriaus skyriaus dangtelio nepavyks uždaryti, todėl naudojant įrankį su atidarytu akumulatoriaus skyriaus dangteliu galima susižaloti.

Spausdami mygtuką ant akumulatoriaus skyriaus dangtelio, atidarykite dangtelį.

► **Pav.1:** 1. Mygtukas 2. Akumulatoriaus skyriaus dangtelis

Jei norite išimti akumulatoriaus kasetę, ištraukite ją iš įrankio, stumdami mygtuką, esantį kasetės priekyje.

► **Pav.2:** 1. Raudonas indikatorius 2. Mygtukas 3. Akumulatoriaus kasetė

Jei norite įdėti akumulatoriaus kasetę, sulygiuokite liežuvelį ant akumulatoriaus kasetės su grioveliu korpuso ir įstumkite į jai skirtą vietą. Įdėkite iki galo, kol spragtelėdama užsifiksuos. Jeigu matote raudoną indikatorių viršutinėje mygtuko pusėje, ji nėra visiškai užfiksuota.

Įdėję akumulatoriaus kasetę, patikimai uždarykite akumulatoriaus skyriaus dangtelį.

▲PERSPĖJIMAS: Akumulatoriaus kasetę visada įkiškite iki galo, kol nebamatsite raudono indikatoriaus. Priešingu atveju ji gali atsitiktinai iškristi iš įrankio, sužeisti jus arba aplinkinius.

▲PERSPĖJIMAS: Nekiškite akumulatoriaus kasetės įėga. Jeigu kasetė sunkiai lenda, ją kišate netinkamai.

Likusios akumulatoriaus galios rodymas

Tik akumulatoriaus kasetėms su indikatoriumi

► **Pav.3:** 1. Indikatorijų lemputės 2. Tikrinimo mygtukas

Paspauskite akumulatoriaus kasetės tikrinimo mygtuką, kad būtų rodoma likusi akumulatoriaus energija. Maždaug trims sekundėms užsidegs indikatorijų lemputės.

Indikatorijų lemputės			Likusi galia
Šviečia	Nešviečia	Blyksti	
			75 - 100 %
			50 - 75 %
			25 - 50 %
			0 - 25 %
			Įkrukite akumulatorių.
			Galimai įvyko akumulatoriaus veikimo triktis.

PASTABA: Rodmuo gali šiek tiek skirtis nuo faktinės energijos lygio – tai priklauso nuo naudojimo sąlygų ir aplinkos temperatūros.

Įrankio / akumulatoriaus apsaugos sistema

Įrankyje įrengta įrankio / akumulatoriaus apsaugos sistema. Ši sistema automatiškai atjungia variklio maitinimą, kad įrankis ir akumulatorius ilgiau veiktų. Įrankis automatiškai išsijungs darbo metu esant vienai iš toliau nurodytų įrankio arba akumulatoriaus darbo sąlygų:

Apsauga nuo perkrovos

Kai įrankis arba akumulatorius naudojamas taip, kad neįprastai padidėja elektros srovė, įrankis automatiškai išsijungia be jokių indikatorijų įspėjimų. Tokiu atveju atleiskite įrankio gaiduką ir nutraukite darbą, dėl kurio kilo įrankio perkrova. Tada vėl įjunkite įrankį.

Apsauga nuo perkaitimo

Kai įrankis arba akumulatorius perkaista, įrankis automatiškai išsijungia. Tokiu atveju, prieš vėl jungdami įrankį, leiskite įrankiui ir akumulatoriui atvėsti.

Apsauga nuo visiško išekvojimo

Kai akumulatoriaus įkrovos lygis nepakankamas, įrankis automatiškai išsijungia. Tokiu atveju ištraukite akumulatorių iš įrankio ir įkrukite jį.

Jungiklio veikimas

▲ **PERSPĖJIMAS:** Prieš montuodami akumulatoriaus kasetę įrankyje, visuomet patikrinkite, ar gaidukas tinkamai veikia ir atleistas grįžta į išjungimo padėtį „OFF“.

▲ **PERSPĖJIMAS:** Kai įrankis naudojamas ilgą laiko tarpą, operatoriaus patogumui jungiklį galima užfiksuoti „ON“ (įjungta) padėtyje. Būkite atsargūs, užfiksuodami įrankį „ON“ padėtyje ir tvirtai laikykite įrankio rankeną.

▲ **PERSPĖJIMAS:** Nedėkite akumulatoriaus kasetės, kai įjungtas fiksavimo mygtukas.

▲ **PERSPĖJIMAS:** Kai įrankiu nedirbate, nuspauskite gaiduko fiksavimo mygtuką iš A (A) pusės, kad gaidukas užsifikuotų į IŠJUNGIMO (OFF) padėtį.

► **Pav.4:** 1. Gaiduko fiksavimo mygtukas

► **Pav.5:** 1. Gaidukas 2. Fiksavimo mygtukas 3. Gaiduko fiksavimo mygtukas

Norint, kad gaidukas nebūtų atsitiktinai nuspauštas, įrengtas gaiduko fiksavimo mygtukas. Norėdami įjungti įrankį, paspauskite gaiduko fiksavimo mygtuką iš A (A) pusės ir patraukite už gaiduko. Stipriau spaudžiant gaiduką, įrankio veikimo greitis didėja. Atleiskite gaiduką, jeigu norite sustabdyti įrankį. Pabaigę darbą, nuspauskite gaiduko fiksavimo mygtuką iš B (B) pusės.

Traukdami gaiduką nuspauskite fiksavimo mygtuką ir atleiskite gaiduką, kad įrankis veiktų nepertraukiamai. Jei norite sustabdyti įrankį, patraukite gaiduką iki galo, tada jį atleiskite.

Greičio keitimas

PASTABA: Greičio keitimo rankenėlę naudokite tik įrankiui visiškai sustojus. Keičiant įrankio greitį dar jam nesustojus, galima pažeisti įrankį.

PASTABA: Visuomet atidžiai nustatykite greičio keitimo svirtelę iki galo į tinkamą padėtį. Jei įrankį valdote greičio keitimo svirtelė, nustatyta per vidurį tarp „1“ ir „2“ padėčių, galite sugadinti įrankį.

PASTABA: Jei naudojant didelio greičio režimu sukimosi greitis žymiai sumažėja, sustabdykite įrankį ir nustatykite mažo greičio režimą. Antraip gali įvykti variklio perkrova, todėl gali kilti gedimas arba gaisras.

Prieš įjungdami įrankį, greičio keitimo svirtelė galite pasirinkti dvių greičių sritis. Norėdami pakeisti greitį, pasukite greičio keitimo svirtelę taip, kad rodyklė rodytų „1“ (mažas greitis) arba „2“ (didelis greitis) padėtį.

► **Pav.6:** 1. Rodyklė 2. Greičio keitimo rankenėlė

Apsaugos nuo netyčinio įjungimo funkcija

Jei dedant akumulatoriaus kasetę bus traukiamas arba fiksuojamas gaidukas, įrankis nepasileis. Jei norite įjungti įrankį, atleiskite gaiduką, tada jį patraukite.

Elektroninė funkcija

Prietaise yra elektroninė funkcija paprastam naudojimui.

- Švelnus paleidimas
Švelnaus paleidimo funkcija iki minimumo sumažina paleidimo smūgį ir leidžia sklandžiai paleisti prietaisą.

SURINKIMAS

▲PERSPĖJIMAS: Prieš darydami ką nors įrankiui visada patikrinkite, ar įrenginys išjungtas, o akumuliatorių kasėtė – nuimta.

Priekinio dangčio ir šoninės rankenos pritvirtinimas

▲PERSPĖJIMAS: Tvirtai užveržkite šoninę rankeną. Priešingu atveju priekinis dangtis gali nukristi ir sužaloti.

► **Pav.7:** 1. Priekinis dangtis 2. Šoninė rankena

Pritvirtinkite priekinį dangtį prie įrankio, tada tvirtai ant įrankio prisukite šoninę rankeną. Šią rankeną galima uždėti bet kurioje įrankio pusėje.

Ašies tvirtinimas

Pasirenkamasis priedas

Skirta DUT130

1. Pritvirtinkite ašį prie ašies laikiklio.

► **Pav.8:** 1. Ašis 2. Ašies laikiklis

2. Raktu Nr. 19 priveržkite ašį, kitu raktu Nr. 19 prilaidykami ašies laikiklį.

► **Pav.9:** 1. Ašis 2. Ašies laikiklis

Skirta DUT131

1. Įdėkite ašį į griebtuvą tiek giliai, kiek lenda.

► **Pav.10:** 1. Ašis 2. Griebtuvas

2. Ranka priveržkite griebtuvą, tada įkiškite griebtuvo raktą į visas tris angas ir užveržkite pagal laikrodžio rodyklę. Būtinai vienodai užveržkite griebtuvo raktą visose trijose angose.

► **Pav.11:** 1. Griebtuvo raktas 2. Griebtuvas

Jei norite išimti ašį, pasukite griebtuvo raktą prieš laikrodžio rodyklę tik vienoje skylėje, tada ranka atlaisvinkite griebtuvą.

Maišymo peilio įdėjimas

Pasirenkamasis priedas

Pritvirtinkite maišymo peilį ant ašies viršutinės dalies ir priveržkite jį šešiakampių varžtu.

► **Pav.12:** 1. Maišymo peilis 2. Ašis 3. Šešiakampis varžtas

PASTABA: Būtinai pritvirtinkite maišymo peilį taip, kad ženklas „UP“ (viršus) būtų nukreiptas į įrankį.

► **Pav.13:** 1. Ženklas

Kablys

Pasirenkamasis priedas

▲PERSPĖJIMAS: Prieš pakabindami įrankį ant kablo, visada ištraukite iš jo akumuliatorių.

▲PERSPĖJIMAS: Niekada nekabinkite įrankio labai aukštai arba nedėkite ant paviršiaus, kuris gali būti nestabilus.

► **Pav.14:** 1. Griovelis 2. Kablys 3. Sraigtas

Kablys yra patogus naudoti norint laikinai pakabinti įrankį. Jį galima įrengti bet kurioje įrankio pusėje. Norėdami uždėti kablį, įdėkite jį į įrankio korpuso bet kurioje pusėje esantį griovelį ir tuomet pritvirtinkite sraigto. Norėdami išimti, atsukite sraigto ir išimkite.

Ašies laikiklio įdėjimas ir išėmimas

Pasirenkamasis priedas

Skirta DUT131

1. Įkiškite šešiakampį raktą į griebtuvą ir, šešiakampiu raktu laikydami veleną, raktu atlaisvinkite griebtuvą.

► **Pav.15:** 1. Šešiakampis raktas 2. Griebtuvas
3. Raktas

2. Raktu Nr. 19 priveržkite ašies laikiklį, kitu raktu Nr. 19 prilaidykami veleną.

► **Pav.16:** 1. Ašies laikiklis 2. Raktas

Norėdami išimti ašies laikiklį, atlikite tuos pačius veiksmus atvirkštine tvarka.

NAUDOJIMAS

▲PERSPĖJIMAS: Nemaišykite degių medžiagų ir nenaudokite įrankio šalia degių medžiagų, pvz., dažų, kuriems kaip tirpiklis buvo naudojamas skiediklis. Nesilaikant šio nurodymo, kyla pavojus susižeisti.

▲PERSPĖJIMAS: Didelio greičio režimu nemaišykite labai klampios medžiagos, pvz., skiedinio ar rišliosios medžiagos. Antraip galite nesuvaldyti įrankio ir susižeisti.

PASTABA: Kai maišote medžiagą ir maišymo peilis iškyla iš jos, būkite atsargūs, kad jos neišaštytumėte.

1. Atsižvelgdami į medžiagą, kurią reikia maišyti, pasirinkite didelį arba mažą greitį.

2. Viena ranka paimkite už galinės įrankio rankenos, o kita ranka tvirtai laikykite už šoninės rankenos, tuomet iki galo panardinkite maišymo peilį į medžiagą ir, įsitiKinę, kad darbo vieta yra saugi, įjunkite įrankį.

3. Maišydami judinkite maišymo peilį aukštyn žemyn, kad gerai išmaišytumėte visą medžiagą.

4. Pabaigę maišyti, išjunkite įrankį, palaukite, kol maišymo peilis visiškai sustos ir tik tada ištraukite jį iš indo.

TECHNINĖ PRIEŽIŪRA

⚠PERSPĖJIMAS: Visuomet įsitikinkite, ar įrankis yra išjungtas ir akumuliatoriaus kasetė yra nuimta prieš atlikdami apžiūrą ir priežiūrą.

PASTABA: Niekada nenaudokite gazolino, benzino, tirpiklio, spirito arba panašių medžiagų. Gali atsirasti išblukimų, deformacijų arba įtrūkimų.

Kad gaminytys būtų SAUGUS ir PATIKIMAS, jį taisyti, apžiūrėti ar vykdyti bet kokią kitą priežiūrą ar derinimą turi įgaliotasis kompanijos „Makita“ techninės priežiūros centras; reikia naudoti tik kompanijos „Makita“ pagamintas atsargines dalis.

PASIRENKAMI PRIEDAI

⚠PERSPĖJIMAS: Šiuos papildomus priedus arba įtaisus rekomenduojama naudoti su šioje instrukcijoje nurodytu „Makita“ bendrovės įrankiu. Naudojant bet kokius kitus papildomus priedus arba įtaisus, gali kilti pavojus sužeisti žmones. Naudokite tik nurodytam tikslui skirtus papildomus priedus arba įtaisus.

Jeigu norite daugiau sužinoti apie tuos priedus, kreipkitės į artimiausią „Makita“ techninės priežiūros centrą.

- Maišymo peilis
- Ašis
- Ašies laikiklis
- Kablys
- Originalus „Makita“ akumuliatorius ir įkroviklis

PASTABA: Kai kurie sąraše esantys priedai gali būti pateikti įrankio pakuotėje kaip standartiniai priedai. Jie įvairiose šalyse gali skirtis.

TEHNILISED ANDMED

Mudel:		DUT130	DUT131
Koormuseta kiirus	Suur kiirus	0–1 300 min ⁻¹	
	Väike kiirus	0–350 min ⁻¹	
Max segulaba läbimõõt		165 mm	
Kogupikkus (ilma võlli ja segamislabata)		320 mm	307 mm
Nimipinge		Alalisvool 18 V	
Netokaal		2,5–2,8 kg	2,7–3,0 kg

- Meie pideva uuringu- ja arendusprogrammi tõttu võidakse tehnilisi andmeid muuta ilma sellest ette teatamata.
- Tehnilised andmed ja akukasset võivad riigiti erineda.
- Kaal võib erineda olenevalt lisaseadistest, kaasa arvatud akukassetist. Kergeim ja raskeim kombinatsioon EPTA-protseduuri 01/2014 kohaselt on toodud tabelis.

Sobiv akukassett ja laadija

Akukassett	BL1815N / BL1820 / BL1820B / BL1830 / BL1830B / BL1840 / BL1840B / BL1850 / BL1850B / BL1860B
Laadija	DC18RC / DC18RD / DC18RE / DC18SD / DC18SE / DC18SF

- Mõned eespool loetletud akukassetid ja -laadijad ei pruugi olla teie riigis saadaval.

⚠ HOIATUS: Kasutage ainult ülalpool loetletud akukasse ja laadijaid. Muude akukassetide ja laadijate kasutamine võib tekitada vigastusi ja/või tulekahju.

Sümbolid

Alljärgnevalt kirjeldatakse seadmetel kasutatavaid tingimärke. Veenduge, et olete nende tähendusest aru saanud enne seadme kasutamist.



Lugege juhendit.



Ärge kasutage tööriista vihmaga.



Ärge puhastage tööriista veega.



Ni-MH
Li-Ion

Ainult EL-i riikide puhul
Ärge visake elektriseadmeid ja akusid ära koos majapidamisjätmetega!
Vastavalt Euroopa Parlamendi ja Nõukogu direktiividele elektri- ja elektroonikaseadmete jätmete kohta ning patareide ja akude ning patarei- ja akujätmete kohta ning nende nõuete kohaldamisele liikmesriikides tuleb kasutuskõlbmatuks muutunud elektriseadmed ja akud koguda eraldi ning keskkonناسäästlikult korduv kasutada või ringlusse võtta.

Kavandatud kasutus

Tööriist on ette nähtud seinamaterjalide jne (v.a kergsüttivad materjalid) kombineerimiseks.

Müra

Tüüpiline A-korrigeeritud müratase, määratud standardi EN60745-2-1 kohaselt:

Mudel DUT130

Helirõhutase (L_{pA}): 74 dB (A)
Määramatus (K): 3 dB (A)

Mudel DUT131

Helirõhutase (L_{pA}): 74 dB (A)
Määramatus (K): 3 dB (A)

Töötamisel võib müratase ületada 80 dB (A).

⚠ MÄRKUS: Deklareeritud müra väärtust (väärtuseid) on mõõdetud kooskõlas standardse katsemeetodiga ning seda võib kasutada ühe seadme võrdlemiseks teisega.

⚠ MÄRKUS: Deklareeritud müra väärtust (väärtuseid) võib kasutada ka mürataseme esmaseks hindamiseks.

⚠ HOIATUS: Kasutage kõrvakaitsmeid.

⚠ HOIATUS: Müratase võib elektritööriista tege-
liikkuses kasutamise ajal erineda deklareeritud
väärtus(t)est olenevalt tööriista kasutusviisidest
ja eriti töödeldavast toorikust.

⚠ HOIATUS: Rakendage operaatori kaitsmi-
seks kindlasti piisavaid ohutusabinõusid, mis
põhinevad hinnangulisel müratasemel tegelikus
tööolutsioonis (võttes arvesse tööperioodi kõiki
osasid, näiteks korrad, kui seade lülitatakse välja
ja seade töötab tühikäigul, lisaks tööajale).

Vibratsioon

Vibratsiooni koguväärtus (kolmeteljeliste vektorite summa) määratud standardi EN60745-2-1 kohaselt:

Mudel DUT130

Töörežiim: töötamine ilma laenguta
Vibratsioonihede (a_{h1}): 2,5 m/s² või vähem
Määramatus (K): 1,5 m/s²

Mudel DUT131

Töörežiim: töötamine ilma laenguta
Vibratsioonihede (a_{h1}): 2,5 m/s² või vähem
Määramatus (K): 1,5 m/s²

MÄRKUS: Deklareeritud vibratsiooni koguväärtust (-väärtuseid) on mõõdetud kooskõlas standardse katsemeetodiga ning seda võib kasutada ühe seadme võrdlemiseks teisega.

MÄRKUS: Deklareeritud vibratsiooni koguväärtust (-väärtuseid) võib kasutada ka mürataseme esmaseks hindamiseks.

⚠️HOIATUS: Vibratsioonitase võib elektritööriista tegelikkuses kasutamise ajal erineda deklareeritud väärtus(t)est olenevalt tööriista kasutusviisidest ja eriti töödeldavast toorikust.

⚠️HOIATUS: Rakendage operaatori kaitsmiseks kindlasti piisavaid ohutusabinõusid, mis põhinevad hinnangulisel müratasemel tegelikus tööolukorras (võttes arvesse tööperioodi kõiki osasid, näiteks korrad, kui seade lülitatakse välja ja seade töötab tühikäigul, lisaks tööajale).

EÜ vastavusdeklaratsioon

Ainult Euroopa riikide puhul

EÜ vastavusdeklaratsioon sisaldub käesoleva juhendi Lisas A.

OHUTUSHOIATUSED

Üldised elektritööriistade ohutusohiatused

⚠️HOIATUS: Lugege läbi kõik selle elektritööriistaga kaasas olevad ohutusohiatused, juhised, joonised ja tehnilised andmed. Järgnevatel juhiste eiramine võib põhjustada elektrilöögi, süttimise ja/või raske kehavigastuse.

Hoidke edaspidisteks viideteks alles kõik hoiatused ja juhtnöörid.

Hoiatuses kasutatud termini „elektritööriist“ all peetakse silmas elektriga töötavaid (juhtmega) elektritööriistu või akuga töötavaid (juhtmeta) elektritööriistu.

Juhtmeta mikseri ohutusnõuded

1. Hoidke tööriista mõlema käega ettenähtud käepidemetest. Kontrolli puudumine võib põhjustada inimestele vigastusi.
2. Ohhtliku atmosfääri vältimiseks tagage tuleohtlike materjalide segamisel piisav ventilatsioon. Muidu võite sisse hingata tekkivaid aure või põhjustada tulekahju, kui seade tekitab sädemeid.

3. Ärge segage toiduaineid. Elektritööriistad ja nende tarvikud ei ole mõeldud toiduainete töötlemiseks.
4. Veenduge, et segamismahuti oleks asetatud kindlalt oma kohale. Mahuti, mis ei ole korralikult kinnitatud, võib kohalt liikuda.
5. Järgige segatava materjali juhiseid ja hoiatusi. Segatav materjal võib olla ohhtlik.
6. Ärge pange segamishutusse segamise ajal oma käsi ega mingeid muid esemeid. Kokkupuude mikseri teraga võib põhjustada tõsiseid kehavigastusi.
7. Tööriista käivitamine ja seadme peatamine ainult segamismahutis. Segulaba võib kontrollimatuult painduda või pöörata.
8. Veenduge, et elektritööriista korpuse vastu ei satuks vedelikupritsmeid. Vedelik, mis on tunginud elektritööriista, võib põhjustada tööriista kahjustusi.
9. Kasutage lisakäepidemeid, kui need on tööriistadega kaasas. Kontrolli puudumine võib põhjustada inimestele vigastusi.
10. Hoidke elektritööriista töö ajal isoleeritud haardepindadest, kui löikeriist võib kokku puutuda peidetud juhtmehaga. Voolu all oleva juhtmehaga kokkupuutesse sattunud lõiketera võib pingestada elektritööriista metallosi ning põhjustada kasutajale elektrilöögi.
11. Veenduge alati, et teie jalgealune oleks kindel. Kui töötate kõrguses, siis jälgige, et teist allpool ei viibiks inimesi.
12. Hoidke tööriista kindlalt.
13. Hoidke käed pöörlevatest osadest eemal.
14. Ärge jätke tööriista töötama. Kasutage tööriista ainult siis, kui te seda hoiate.
15. Mõned materjalid võivad sisaldada mürgiseid kemikaale. Võtke kasutusele meetmed tolmude sissehingamise ja nahaga kokkupuutumise vältimiseks. Järgige materjali tarnija esitatud ohutusjuhiseid.
16. Segamistoimingu ajal peab segamismahuti olema ühetasasel ja stabiilsel pinnal.

HOIDKE JUHEND ALLES.

⚠️HOIATUS: ÄRGE UNUSTAGE järgida toote ohutusnõudeid mugavuse või toote (korduskasutamise) saavutamise hea tundmise tõttu. VALE KASUTUS või kasutusjuhendi ohutuseeskirjade eiramine võib põhjustada tervisekahjustusi.

Akukassetiga seotud olulised ohutusjuhised

1. Enne akukasseti kasutamist lugege (1) akulaadimise, (2) akul ja (3) seadmel olevad juhtnöörid ja hoiatused läbi.
2. Ärge võtke akukassetti lahti.
3. Kui tööaeg järsult lüheneb, siis lõpetage kohe kasutamine. Edasise kasutamise tulemuseks võib olla ülekuumenemisoht, võimalikud põletused või isegi plahvatus.
4. Kui elektrilöögi satub silma, siis loputage silma puhta veega ja pöörduge koheselt arsti poole. Selline õnnetus võib põhjustada pimedaksjäämist.

5. Ärge tekitage akukassetis lühis:
 - (1) Ärge puutuge klemme elektrijuhtidega.
 - (2) Ärge hoidke akukasseti tööriistakastis koos metallesemetega, nagu naelad, mündid jne.
 - (3) Ärge tehke akukasseti märjaks ega jätke seda vihma kätte.

Aku lühis võib põhjustada tugevat elektri-voolu, ülekuumenemist, põletusi ning ka sea-
det tõsiselt kahjustada.

6. Ärge hoidke tööriista ja akukasseti kohtades, kus temperatuur võib tõusta üle 50 °C.
7. Ärge põletage akukasseti isegi siis, kui see on saanud tõsiselt vigastada või on täiesti kulu-
nud. Akukasset võib tules plahvatada.
8. Olge ettevaatlik, ärge laske akul maha kukkuda ja vältige lööke.
9. Ärge kasutage kahjustatud akut.
10. Sisalduvatele liitium-ioonakudele võivad kohalduda ohtlike kaupade õigusaktide nõu-
ded.
Kaubanduslikul transportimisel, näiteks kolman-
date poolte või transportiettevõtete poolt, tuleb järgida pakendil ja siltidel toodud erinõudeid.
Transportimiseks ettevalmistamisel on vajalik pidada nõu ohtliku materjali eksperdiga. Samuti tuleb järgida võimalike riiklike regulatsioonide üksikasjalikumaid nõudeid.
Katke teibiga või varjake avatud kontaktid ja pakendage aku selliselt, et see ei saaks kukkuda liikuda.
11. Järgige kasutuskõlbmatuks muutunud aku käitlemisel kohalikke eeskirju.
12. Kasutage akusid ainult Makita heaks kiidetud toodetega. Akude paigaldamine selleks mitte ettenähtud toodetele võib põhjustada süttimist, üleäärast kuumust, plahvatamist või elektrolüüdi lekkimist.

HOIDKE JUHEND ALLES.

⚠ETTEVAATUST: Kasutage ainult Makita originaalakusid. Mitte Makita originaalakude või muudetud akude kasutamine võib põhjustada akude süttimise, kehavigastuse ja kahjustuse. Samuti muudab see kehtetuks Makita tööriista ja laadija Makita garantii.

Vihjeid aku maksimaalse kasu- tustaja tagamise kohta

1. Laadige akukasseti enne selle täielikku tühjenemist. Kui märkate, et tööriist töötab väiksema võimsusega, peatage töö ja laadige akukasseti.
2. Ärge laadige täielikult laetud akukasseti. Ülelaadimine lühendab akude kasutusiga.
3. Laadige akukasseti toatemperatuuril 10 °C - 40 °C. Enne laadimist laske kuumenenud akukassetil maha jahtuda.
4. Kui te ei kasuta akukasseti kauem kui kuus kuud, laadige see.

FUNKTSIONAALNE KIRJELDUS

⚠ETTEVAATUST: Kandke alati hoolt selle eest, et tööriist oleks enne reguleerimist ja kontrollimist välja lülitatud ja akukasset eemaldatud.

Akukasseti paigaldamine või eemaldamine

⚠ETTEVAATUST: Lülitage tööriist alati enne akukasseti paigaldamist või eemaldamist välja.

⚠ETTEVAATUST: Akukasseti paigaldamisel või eemaldamisel tuleb tööriista ja akukasseti kindlalt paigal hoida. Kui tööriista ja akukasseti ei hoita kindlalt paigal, võivad need käest libiseda ning kahjustada tööriista ja akukasseti või põhjustada kehavigastusi.

⚠ETTEVAATUST: Ärge kasutage seda tööriista akuadapteriga. Kui ühendate akuadapteri tööriista, siis ei saa akukate sulguda, ja avatud akukatega tööriista kasutamine võib lõppeda vigastustega.

Avage akukate, vajutades sellel asuvat nuppu.

► **Joon.1:** 1. Nupp 2. Akukate

Akukasseti eemaldamiseks libistage see tööriista küljest lahti, vajutades kasseti esiküljel paiknevat nuppu alla.

► **Joon.2:** 1. Punane näidik 2. Nupp 3. Akukasset

Akukasseti paigaldamiseks joondage akukasseti keel korpuse soonega ja libistage kasset oma kohale. Paigaldage akuadapter alati nii kaugele, et see lukustus klõpsatusega oma kohale. Kui näete nupu ülaosas punast osa, pole kasset täielikult lukustunud.

Pärast akukasseti paigaldamist sulgege akukate korralikult.

⚠ETTEVAATUST: Paigaldage akukasset alati täies ulatuses nii, et punast osa ei jääks näha. Muidu võib adapter juhuslikult tööriistast välja kukkuda ning põhjustada teile või läheduses viibivatele isikutele vigastusi.

















⚠ETTEVAATUST: Ärge rakendage akukasseti paigaldamisel jõudu. Kui kasset ei lähe kergesti sisse, pole see õigesti paigaldatud.

Aku jääkmahutavuse näit

Ainult näidikuga akukassetidele

► **Joon.3:** 1. Märgulambid 2. Kontrollimise nupp

Akukasseti järelejäanud mahutavuse kontrollimiseks vajutage kontrollimise nuppu. Märgulambid süttivad mõneks sekundiks.

Märgulambid			Jääkmahutavus
 Pöleb	 Ei põle	 Vilgub	
			75 - 100%
			50 - 75%
			25 - 50%
			0 - 25%
			Laadige akut.
			Akul võib olla tõrge.
			

MÄRKUS: Näidatud mahutavus võib veidi erineda tegelikust mahutavusest olenevalt kasutustingimustest ja ümbritseva keskkonna temperatuurist.

Tööriista/aku kaitsesüsteem

Tööriist on varustatud tööriista või aku kaitsesüsteemiga. Süsteem lülitab mootori automaatselt välja, et pikendada tööriista ja aku tööiga. Tööriist seiskub käitamise ajal automaatselt, kui tööriista või aku kohta kehtib üks järgmistest tingimustest.

Ülekoormuskaitse

Kui tööriista või aku kasutamise käigus hakkab see tarbima ebaharilikult palju voolu, peatub tööriist automaatselt ilma igasuguse signaalita. Sellisel juhul lülitage tööriist välja ja lõpetage tööriista ülekoormuse põhjustanud tegevus. Pärast seda käivitage tööriist uuesti.

Ülekuumenemiskaitse

Tööriista või aku ülekuumenemisel seiskub tööriist automaatselt. Laske sellisel juhul tööriistal ja akul enne tööriista uuesti sisselülitamist jahtuda.

Ülelaadimiskaitse


Kui aku laetuse tase ei ole piisav, seiskub tööriist automaatselt. Sellisel juhul eemaldage aku seadmest ja laadige täis.

Lüliti funktsioneerimine

▲ETTEVAATUST: Kontrollige alati enne akukasseti tööriista külge paigaldamist, kas lüliti päästik funktsioneerib nõuetekohaselt ja liigub lahtilaskmisel tagasi väljalülitatud asendisse.

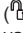

▲ETTEVAATUST: Pikemaajalisel kasutamisel saab lüliti operaatori mugavuse huvides lukustada sisselülitatud asendisse. Tööriista lukustamisel sisselülitatud asendisse olge ettevaatlik ja hoidke tööriista kindlas kohas.

▲ETTEVAATUST: Ärge paigaldage akukassetti, kui lukustusnupp on aktiveeritud.

▲ETTEVAATUST: Kui te tööriista parajasti ei kasuta, vajutage päästikulukku nuppu poolelt , et lukustada lüliti päästik väljalülitatud asendisse.

► **Joon.4:** 1. Päästikulukku nupp

► **Joon.5:** 1. Lüliti päästik 2. Lukustusnupp
3. Päästikulukku nupp

Selleks et lüliti päästikut poleks võimalik juhuslikult vajutada, on tööriistal päästikulukku nupp. Tööriista käivitamiseks vajutage päästikulukku nuppu A-poolelt () ja tõmmake lüliti päästikut. Tööriista kiirus kasvab, kui suurendate survet lüliti päästikule. Vabastage seiskamiseks lüliti päästik. Pärast kasutamist vajutage päästikulukku nuppu B-poolelt ().

Pidevaks tööks vajutage lukustusnupp alla, samal ajal lüliti päästikut tõmmates, ning seejärel vabastage lüliti päästik. Tööriista seiskamiseks tõmmake lüliti päästik täielikult tagasi, seejärel vabastage see.

Kiiruse muutmine

TÄHELEPANU: Kasutage kiiruse muutmise lüliti alls pärast tööriista täielikku seiskumist. Tööriista kiiruse muutmine enne tööriista seiskumist võib tööriista kahjustada.

TÄHELEPANU: Seadke kiirusregulaatori hoob hoolikalt õigesse asendisse. Tööriista kasutamine selliselt, et kiirusregulaatori nupp paikneb asendite „1” ja „2” vahel, võib tööriista kahjustada.

TÄHELEPANU: Kui kiirrežiimis pöörlemiskiirus olulisel määral väheneb, peatage tööriist ja lülitage režiim väikese kiiruse režiimi. Muidu võib mootor olla ülekoormatud ja põhjustada tõrkeid või tulekahju.

Kiirusregulaatori nupuga saab valida kaks kiirusvahemikku.

Kiiruse muutmiseks keerake kiirusregulaatori nupp sellisesse asendisse, et osuti oleks suunatud asendisse 1 (väike kiirus) või 2 (suur kiirus).

► **Joon.6:** 1. Osuti 2. Kiirusregulaatori nupp

Juhusliku taaskäivitamise vältimise funktsioon

Kui paigaldate akukasseti lüliti päästiku tõmbamise või lüliti päästiku lukustamise ajal, siis tööriist ei käivitu. Tööriista käivitamiseks vabastage lüliti päästik ja tõmmake siis lüliti päästikut.

Elektrooniline funktsioon

Tööriist on varustatud lihtsama kasutamise jaoks elektrooniliste funktsioonidega.

- Sujuvkäivitus
Sujuvkäivituse funktsioon minimeerib käivitamise tagasilööki ja võimaldab tööriistal sujuvalt käivituda.

KOKKUPANEK

▲ETTEVAATUST: Kandke alati hoolt selle eest, et tööriist oleks enne igasuguseid hooldustöid välja lülitatud ja akukassett eemaldatud.

Esikatte ja külkäepideme paigaldamine

⚠ETTEVAATUST: Kinnitage külkäepideme korralikult. Muidu võib esikaas maha kukkuda ja kehavigastusi tekitada.

► **Joon.7:** 1. Esikate 2. Külkäepideme

Paigaldage tööriistale esikate ja seejärel kruvige külkäepideme kindlalt tööriista külge. Külkäepideme võib paigaldada tööriista ükskõik kummale küljele.

Võlli paigaldamine

Lisatarvik

Mudel DUT130

1. Kinnitage võll võllihoidikusse.

► **Joon.8:** 1. Võll 2. Võllihoidik

2. Pingutage võlli mutrivõtmega nr 19, hoides samal ajal teise mutrivõtmega nr 19 võllihoidikust.

► **Joon.9:** 1. Võll 2. Võllihoidik

Mudel DUT131

1. Paigaldage võll võimalikult sügavale padrunisse.

► **Joon.10:** 1. Võll 2. Padrun

2. Pingutage padrunit käega, seejärel pange padrunivõti igasse kolme auku ja pingutage seda päripäeva. Kindlasti pingutage padrunivõtit kõigis kolmes augus ühtlaselt.

► **Joon.11:** 1. Padrunivõti 2. Padrun

Võlli eemaldamiseks pöörake padrunivõtit vastupäeva ainult ühes augus ning siis keerake padrun käsitsi lahti.

Segulaba paigaldamine

Lisatarvik

Paigaldage segulaba võlli otsa ja fikseerige see kuuskantpoldiga.

► **Joon.12:** 1. Segulaba 2. Võll 3. Kuuskantpolt

TÄHELEPANU: Kindlasti kinnitage segulaba nii, et märgis UP (ÜLES) jääks suunaga tööriista poole.

► **Joon.13:** 1. Märgis

Konks

Lisatarvik

⚠ETTEVAATUST: Tööriista konksu abil riputamisel eemaldage alati aku.

⚠ETTEVAATUST: Ärge kunagi riputage tööriista kõrgesse kohta ega ebakindlale pinnale.

► **Joon.14:** 1. Soon 2. Konks 3. Krui

Konks on mugav tööriista ajutiseks riputamiseks. Selle võib paigaldada tööriista kummalegi poole. Konksu paigaldamiseks lükake see tööriista korpuse ükskõik kummal küljel olevasse soonde ja kinnitage kruviga. Eemaldamiseks keerake krui lahti ja võtke välja.

Võllihoidiku paigaldamine või eemaldamine

Lisatarvik

Mudel DUT131

1. Sisestage kuuskantvõti padrunisse ja seejärel vabastage padrun kuuskantvõtmega, hoides samal ajal mutrivõtmega võllist.

► **Joon.15:** 1. Kuuskantvõti 2. Padrun 3. Mutrivõti

2. Pingutage võllihoidikut mutrivõtmega nr 19, hoides samal ajal teise mutrivõtmega nr 19 võllist.

► **Joon.16:** 1. Võllihoidik 2. Mutrivõti

Võllihoidiku eemaldamiseks järgige paigaldamise protseduuri vastupidises järjekorras.

TÖÖRIISTA KASUTAMINE

⚠ETTEVAATUST: Ärge segage tuleohtlike materjale ega kasutage tööriista läheduses süttivaid materjale, näiteks lahustiga värvi lahustamine. Muidu võib tagajärjeks olla tervisekahjustus.

⚠ETTEVAATUST: Ärge segage suure viskoosusega materjali, nagu mört või liim, kiirrežiimis. Võite kaotada tööriista üle kontrolli, mis võib põhjustada kehavigastuse.

TÄHELEPANU: Olge materjali segades ettevaatlik, et segulaba ei pritsiks segatavat ainet.

1. Valige aeglasem või suurem kiirus olenevalt segatavast materjalist.

2. Hoidke tööriista kindlalt ühe käega tagumisest käepidemest ja teise käega külkäepidemest, pange segulaba terves ulatuses segatavasse ainesse ning pärast töökoha ohutuses veendumist lülitage tööriist sisse.

3. Liigutage segulaba segamise käigus üles-alla, et kogu aine saaks segatud.

4. Segamise lõppedes lülitage tööriist välja.

Veenduge, et segulaba oleks täielikult peatunud, ning seejärel tõmmake see segunõust välja.

HOOLDUS

⚠ETTEVAATUST: Enne kontrolli- või hooldustoimingute tegemist kandke alati hoolt selle eest, et tööriist oleks välja lülitatud ja akukassett korpuse küljest eemaldatud.

TÄHELEPANU: Ärge kunagi kasutage bensiini, vedeldit, alkoholi ega midagi muud sarnast. Selle tulemuseks võib olla luitumine, deformatsioon või pragunemine.

Toote OHUTUSE ja TÖÖKINDLUSE tagamiseks tuleb vajalikud remonttööd ning muud hooldus- ja reguleerimistööd lasta teha Makita volitatud teeninduskeskustes või tehase teeninduskeskustes. Alati tuleb kasutada Makita varuosi.

VALIKULISED TARVIKUD

⚠ETTEVAATUST: Neid tarvikuid ja lisaseadiseid on soovitatav kasutada koos Makita tööriistaga, mille kasutamist selles kasutusjuhendis kirjeldatakse. Muude tarvikute ja lisaseadiste kasutamisega kaasneb vigastada saamise oht. Kasutage tarvikuid ja lisaseadiseid ainult otstarbekohaselt.

Saate vajaduse korral kohalikust Makita teeninduskeskusest lisateavet nende tarvikute kohta.

- Segulaba
- Võll
- Võllihoidik
- Konks
- Makita algupärane aku ja laadija

MÄRKUS: Mõned nimekirjas loetletud tarvikud võivad kuuluda standardvarustusse ning need on lisatud tööriista pakendisse. Need võivad riigiti erineda.

ТЕХНИЧЕСКИЕ ХАРАКТЕРИСТИКИ

Модель:		DUT130	DUT131
Число оборотов без нагрузки	Высокая частота вращения	0 – 1 300 мин ⁻¹	
	Низкая частота вращения	0 – 350 мин ⁻¹	
Максимальный диаметр смешивающего диска		165 мм	
Общая длина (без вала и ножа мешалки)		320 мм	307 мм
Номинальное напряжение		18 В пост. тока	
Масса нетто		2,5 – 2,8 кг	2,7 – 3,0 кг

- Благодаря нашей постоянно действующей программе исследований и разработок указанные здесь технические характеристики могут быть изменены без предварительного уведомления.
- Технические характеристики и аккумуляторный блок могут отличаться в зависимости от страны.
- Масса может отличаться в зависимости от дополнительного оборудования. Обратите внимание, что блок аккумулятора также считается дополнительным оборудованием. В таблице представлены комбинации с наибольшим и наименьшим весом в соответствии с процедурой EPTA 01/2014.

Подходящий блок аккумулятора и зарядное устройство

Блок аккумулятора	BL1815N / BL1820 / BL1820B / BL1830 / BL1830B / BL1840 / BL1840B / BL1850 / BL1850B / BL1860B
Зарядное устройство	DC18RC / DC18RD / DC18RE / DC18SD / DC18SE / DC18SF

- В зависимости от региона проживания некоторые блоки аккумуляторов и зарядные устройства, перечисленные выше, могут быть недоступны.

⚠ ОСТОРОЖНО: Используйте только перечисленные выше блоки аккумуляторов и зарядные устройства. Использование других блоков аккумуляторов и зарядных устройств может привести к травме и/или пожару.

Символы

Ниже приведены символы, используемые для обозначения. Перед использованием убедитесь, что вы понимаете их значение.



Прочитайте руководство по эксплуатации.



Запрещается использовать инструмент под дождем.



Запрещается мыть инструмент водой.



Только для стран ЕС
Не выбрасывайте электрооборудование или аккумуляторы вместе с бытовым мусором!
В соответствии с европейскими директивами об утилизации электрического и электронного оборудования, о батареях и аккумуляторах, а также использованных батареях и аккумуляторах и их применении в соответствии с местными законами электрооборудование, батареи и аккумуляторы, срок эксплуатации которых истек, должны утилизироваться отдельно и передаваться для утилизации на предприятие, соответствующее применяемым правилам охраны окружающей среды.

Назначение

Данный инструмент предназначен для смешивания стеновых материалов и т. п. (за исключением горючих материалов).

Шум

Типичный уровень взвешенного звукового давления (A), измеренный в соответствии с EN60745-2-1:

Модель DUT130

Уровень звукового давления (L_{pA}): 74 дБ (A)

Погрешность (K): 3 дБ (A)

Модель DUT131

Уровень звукового давления (L_{pA}): 74 дБ (A)

Погрешность (K): 3 дБ (A)

Уровень шума при выполнении работ может превышать 80 дБ (A).

ПРИМЕЧАНИЕ: Заявленное значение распространения шума измерено в соответствии со стандартной методикой испытаний и может быть использовано для сравнения инструментов.

ПРИМЕЧАНИЕ: Заявленное значение распространения шума можно также использовать для предварительных оценок воздействия.

⚠ОСТОРОЖНО: Используйте средства защиты слуха.

⚠ОСТОРОЖНО: Распространение шума во время фактического использования электроинструмента может отличаться от заявленного значения в зависимости от способа применения инструмента и в особенности от типа обрабатываемой детали.

⚠ОСТОРОЖНО: Обязательно определите меры безопасности для защиты оператора, основанные на оценке воздействия в реальных условиях использования (с учетом всех этапов рабочего цикла, таких как выключение инструмента, работа без нагрузки и включение).

Вибрация

Суммарное значение вибрации (сумма векторов по трем осям), определенное в соответствии с EN60745-2-1:

Модель DUT130

Рабочий режим: работа без нагрузки

Распространение вибрации (a_h): 2,5 м/с² или менее

Погрешность (K): 1,5 м/с²

Модель DUT131

Рабочий режим: работа без нагрузки

Распространение вибрации (a_h): 2,5 м/с² или менее

Погрешность (K): 1,5 м/с²

ПРИМЕЧАНИЕ: Заявленное общее значение распространения вибрации измерено в соответствии со стандартной методикой испытаний и может быть использовано для сравнения инструментов.

ПРИМЕЧАНИЕ: Заявленное общее значение распространения вибрации можно также использовать для предварительных оценок воздействия.

⚠ОСТОРОЖНО: Распространение вибрации во время фактического использования электроинструмента может отличаться от заявленного значения в зависимости от способа применения инструмента и в особенности от типа обрабатываемой детали.

⚠ОСТОРОЖНО: Обязательно определите меры безопасности для защиты оператора, основанные на оценке воздействия в реальных условиях использования (с учетом всех этапов рабочего цикла, таких как выключение инструмента, работа без нагрузки и включение).

Декларация о соответствии ЕС

Только для европейских стран

Декларация о соответствии ЕС включена в руководство по эксплуатации (Приложение А).

МЕРЫ БЕЗОПАСНОСТИ

Общие рекомендации по технике безопасности для электроинструментов

⚠ОСТОРОЖНО: Ознакомьтесь со всеми представленными инструкциями по технике безопасности, указаниями, иллюстрациями и техническими характеристиками, прилагаемыми к данному электроинструменту. Несоблюдение каких-либо инструкций, указанных ниже, может привести к поражению электрическим током, пожару и/или серьезной травме.

Сохраните брошюру с инструкциями и рекомендациями для дальнейшего использования.

Термин "электроинструмент" в предупреждениях относится ко всему инструменту, работающему от сети (с проводом) или на аккумуляторах (без провода).

Правила техники безопасности при использовании аккумуляторного миксера

1. **Удерживайте инструмент обеими руками за специально предназначенные для этого ручки.** Утрата контроля над инструментом может привести к травме.
2. **При смешивании горючих материалов обеспечьте надлежащую вентиляцию во избежание создания опасной атмосферы.** Образующиеся при смешивании пары могут попасть вам в легкие или воспламениться от искр, создаваемых электроинструментом.
3. **Не используйте инструмент для смешивания пищевых продуктов.** Электроинструмент и принадлежности к нему не предназначены для обработки пищевых продуктов.
4. **Убедитесь в том, что емкость для смешивания надежно закреплена и находится в устойчивом положении.** Если емкость не закреплена надлежащим образом, она может неожиданно сместиться.
5. **Соблюдайте инструкции и меры предосторожности в отношении смешиваемого материала.** Смешиваемый материал может быть вреден для здоровья.
6. **Не суйте руки или посторонние предметы в емкость для смешивания в процессе смешивания.** Прикосновение к диску миксера может привести к серьезным травмам.
7. **Запускайте и останавливайте инструмент только в емкости для смешивания.** Диск миксера может деформироваться, а его вращение может стать неконтролируемым.
8. **Следите за тем, чтобы на кожу электроинструмента не попадали брызги жидкости.** Проникновение жидкости внутрь электроинструмента может привести к его выходу из строя.

9. Используйте дополнительные ручки (если они входят в комплект поставки инструмента). Утрата контроля над инструментом может привести к травме.
 10. Если при выполнении работ существует риск контакта режущего инструмента со скрытой электропроводкой, держите электроинструмент за специально предназначенные для этого изолированные поверхности. При контакте металлических частей электроинструмента с проводом под напряжением оператор может получить удар током.
 11. При выполнении работ всегда занимайте устойчивое положение. При использовании инструмента на высоте убедитесь в отсутствии людей внизу.
 12. Крепко держите инструмент.
 13. Руки должны находиться на безопасном расстоянии от вращающихся деталей.
 14. Не оставляйте работающий инструмент без присмотра. При использовании инструмента не выпускайте его из рук.
 15. Некоторые материалы могут содержать токсичные химические вещества. Примите соответствующие меры предосторожности, чтобы избежать вдыхания пыли или попадания таких веществ на кожу. Соблюдайте меры предосторожности, рекомендованные поставщиком материалов.
 16. В процессе смешивания установите емкость для смешивания на ровную устойчивую поверхность.
5. Не замыкайте контакты аккумуляторного блока между собой:
 - (1) Не прикасайтесь к контактам какими-либо токопроводящими предметами.
 - (2) Не храните аккумуляторный блок в контейнере вместе с другими металлическими предметами, такими как гвозди, монеты и т. п.
 - (3) Не допускайте попадания на аккумуляторный блок воды или дождя.
 Замыкание контактов аккумуляторного блока между собой может привести к возникновению большого тока, перегреву, возможному ожогу и даже поломке блока.
 6. Не храните инструмент и аккумуляторный блок в местах, где температура может достигать или превышать 50 °C (122 °F).
 7. Не бросайте аккумуляторный блок в огонь, даже если он сильно поврежден или полностью вышел из строя. Аккумуляторный блок может взорваться под действием огня.
 8. Не роняйте и не ударяйте аккумуляторный блок.
 9. Не используйте поврежденный аккумуляторный блок.
 10. Входящие в комплект литий-ионные аккумуляторы должны эксплуатироваться в соответствии с требованиями законодательства об опасных товарах.

При коммерческой транспортировке, например, третьей стороной или экспедитором, необходимо нанести на упаковку специальные предупреждения и маркировку.

В процессе подготовки устройства к отправке обязательно проконсультируйтесь со специалистом по опасным материалам. Также соблюдайте местные требования и нормы. Они могут быть строже.

Закройте или закрепите разомкнутые контакты и упакуйте аккумулятор так, чтобы он не перемещался по упаковке.

11. Выполняйте требования местного законодательства относительно утилизации аккумуляторного блока.
12. Используйте аккумуляторы только с продукцией, указанной Makita. Установка аккумуляторов на продукцию, не соответствующую требованиям, может привести к пожару, перегреву, взрыву или утечке электролита.

СОХРАНИТЕ ДАННЫЕ ИНСТРУКЦИИ.

▲ОСТОРОЖНО: НЕ ДОПУСКАЙТЕ, чтобы удобство или опыт эксплуатации данного устройства (полученный от многократного использования) доминировали над строгим соблюдением правил техники безопасности при обращении с этим устройством. **НЕПРАВИЛЬНОЕ ИСПОЛЬЗОВАНИЕ** инструмента или несоблюдение правил техники безопасности, указанных в данном руководстве, может привести к тяжелой травме.

Важные правила техники безопасности для работы с аккумуляторным блоком

1. Перед использованием аккумуляторного блока прочитайте все инструкции и предупреждающие надписи на (1) зарядном устройстве, (2) аккумуляторном блоке и (3) инструменте, работающем от аккумуляторного блока.
2. Не разбирайте аккумуляторный блок.
3. Если время работы аккумуляторного блока значительно сократилось, немедленно прекратите работу. В противном случае, может возникнуть перегрев блока, что приведет к ожогам и даже к взрыву.
4. В случае попадания электролита в глаза промойте их обильным количеством чистой воды и немедленно обратитесь к врачу. Это может привести к потере зрения.

СОХРАНИТЕ ДАННЫЕ ИНСТРУКЦИИ.

▲ВНИМАНИЕ: Используйте только фирменные аккумуляторные батареи Makita. Использование аккумуляторных батарей, не произведенных Makita, или батарей, которые были подвергнуты модификациям, может привести к взрыву аккумулятора, пожару, травмам и повреждению имущества. Это также автоматически аннулирует гарантию Makita на инструмент и зарядное устройство Makita.

Советы по обеспечению максимального срока службы аккумулятора

1. Заряжайте блок аккумуляторов перед его полной разрядкой. Обязательно прекратите работу с инструментом и зарядите блок аккумуляторов, если вы заметили снижение мощности инструмента.
2. Никогда не подзаряжайте полностью заряженный блок аккумуляторов. Перезарядка сокращает срок службы аккумулятора.
3. Заряжайте блок аккумуляторов при комнатной температуре в 10 - 40 °C (50 - 104 °F). Перед зарядкой горячего блока аккумуляторов дайте ему остыть.
4. Зарядите ионно-литиевый аккумуляторный блок, если вы не будете пользоваться инструментом длительное время (более шести месяцев).

ОПИСАНИЕ РАБОТЫ

ВНИМАНИЕ: Перед регулировкой или проверкой функций инструмента обязательно убедитесь, что он выключен и его аккумуляторный блок снят.

Установка или снятие блока аккумуляторов

ВНИМАНИЕ: Обязательно выключайте инструмент перед установкой и извлечением аккумуляторного блока.

ВНИМАНИЕ: При установке и извлечении аккумуляторного блока крепко удерживайте инструмент и аккумуляторный блок. Если не соблюдать это требование, они могут выскользнуть из рук, что приведет к повреждению инструмента, аккумуляторного блока и травмированию оператора.

ВНИМАНИЕ: Не используйте инструмент с переходником зарядного устройства. В случае подключения к инструменту переходника зарядного устройства закрыть крышку отсека аккумулятора будет невозможно, а использование инструмента с незакрытой крышкой отсека аккумулятора может стать причиной травм.

Чтобы открыть крышку отсека аккумулятора, нажмите и удерживайте кнопку на крышке.

► **Рис.1:** 1. Кнопка 2. Крышка отсека аккумулятора

Для снятия аккумуляторного блока нажмите кнопку на лицевой стороне и извлеките блок.

► **Рис.2:** 1. Красный индикатор 2. Кнопка 3. Блок аккумулятора

Для установки аккумуляторного блока совместите выступ аккумуляторного блока с пазом в корпусе и задвиньте его на место. Устанавливайте блок до упора так, чтобы он зафиксировался на месте с небольшим щелчком. Если вы можете видеть красный индикатор на верхней части клавиши, адаптер аккумулятора не полностью установлен на месте.

После установки блока аккумулятора закройте и надежно зафиксируйте крышку отсека аккумулятора.

ВНИМАНИЕ: Обязательно устанавливайте аккумуляторный блок до конца, чтобы красный индикатор не был виден. В противном случае аккумуляторный блок может выпасть из инструмента и нанести травму вам или другим людям.

ВНИМАНИЕ: Не прилагайте чрезмерных усилий при установке аккумуляторного блока. Если блок не двигается свободно, значит он вставлен неправильно.

Индикация оставшегося заряда аккумулятора

Только для блоков аккумулятора с индикатором

► **Рис.3:** 1. Индикаторы 2. Кнопка проверки

Нажмите кнопку проверки на аккумуляторном блоке для проверки заряда. Индикаторы загорятся на несколько секунд.

Индикаторы			Уровень заряда
Горит	Выкл.	Мигает	
■ ■ ■ ■			от 75 до 100%
■ ■ ■ □			от 50 до 75%
■ ■ □ □			от 25 до 50%
■ □ □ □			от 0 до 25%
▣ □ □ □			Зарядите аккумуляторную батарею.
■ ■ □ □			Возможно, аккумуляторная батарея неисправна.
□ □ ■ ■			

ПРИМЕЧАНИЕ: В зависимости от условий эксплуатации и температуры окружающего воздуха индикация может незначительно отличаться от фактического значения.

Система защиты инструмента/аккумулятора

На инструменте предусмотрена система защиты инструмента/аккумулятора. Она автоматически отключает питание двигателя для продления срока службы инструмента и аккумулятора. Инструмент автоматически остановится во время работы в следующих случаях:

Защита от перегрузки

Если из-за способа эксплуатации инструмент или аккумулятор потребляет очень большое количество тока, он автоматически остановится без включения каких-либо индикаторов. В этом случае выключите инструмент и прекратите работу, повлекшую перегрузку инструмента. Затем включите инструмент для перезапуска.

Защита от перегрева

При перегреве инструмента или аккумулятора инструмент останавливается автоматически. В этом случае дайте инструменту/аккумулятору остыть перед повторным включением.

Защита от переразрядки


При истощении емкости аккумулятора инструмент автоматически останавливается. В этом случае извлеките аккумулятор из инструмента и зарядите его.

Действие выключателя

ВНИМАНИЕ: Перед установкой аккумуляторного блока в инструмент обязательно убедитесь, что его триггерный переключатель нормально работает и возвращается в положение "OFF" (ВЫКЛ) при отпуске.



ВНИМАНИЕ: В случае продолжительной работы для удобства оператора переключатель можно зафиксировать в положении "ВКЛ.". Соблюдайте осторожность при фиксации инструмента в положении "ВКЛ." и крепко удерживайте инструмент.

ВНИМАНИЕ: Не устанавливайте блок аккумулятора с включенной кнопкой блокировки.

ВНИМАНИЕ: Если инструмент не используется, нажмите на кнопку блокировки триггерного переключателя со стороны  для его блокирования в положении OFF (ВЫКЛ).

► **Рис.4:** 1. Кнопка блокировки триггерного переключателя

► **Рис.5:** 1. Триггерный переключатель 2. Кнопка блокировки 3. Кнопка блокировки триггерного переключателя

Для предотвращения случайного нажатия на триггерный переключатель он оборудован кнопкой блокировки. Для включения инструмента нажмите кнопку блокировки со стороны А () , а затем нажмите триггерный переключатель. Для повышения рабочей частоты инструмента нажмите триггерный переключатель сильнее. Для остановки отпустите триггерный переключатель. После использования нажмите кнопку блокировки триггерного переключателя со стороны В () .

Для непрерывной работы инструмента нажмите кнопку блокировки одновременно с триггерным переключателем, а затем отпустите триггерный переключатель. Для остановки инструмента полностью нажмите триггерный переключатель, а затем отпустите его.

Изменение скорости

ПРИМЕЧАНИЕ: Используйте ручку изменения скорости только после полной остановки инструмента. Изменение скорости вращения до полной остановки инструмента может привести к его повреждению.

ПРИМЕЧАНИЕ: Всегда устанавливайте ручку изменения скорости в правильное положение до конца. Если при работе с инструментом ручка изменения скорости находится в промежуточном положении между 1 и 2, это может привести к повреждению инструмента.

ПРИМЕЧАНИЕ: В случае значительного снижения частоты вращения в режиме высокой частоты вращения остановите инструмент и переключите его в режим низкой частоты вращения. Несоблюдение этого требования может привести к перегрузке двигателя и стать причиной неисправности или возгорания.

С помощью ручки изменения скорости можно предварительно выбрать два диапазона скорости. Для изменения скорости поверните кнопку регулировки частоты вращения, совместив указатель с отметкой 1 для выбора низкой частоты вращения или с отметкой 2 для выбора высокой частоты вращения.

► **Рис.6:** 1. Указатель 2. Кнопка регулировки скорости

Функция предотвращения случайного запуска

В случае установки блока аккумулятора при нажатом или заблокированном триггерном переключателе инструмент не запускается. Для включения инструмента отпустите, а затем снова нажмите триггерный переключатель.

Электронная функция

Для простоты эксплуатации инструмент оснащен электронными функциями.

- Плавный запуск
Функция плавного запуска уменьшает пусковой удар и смягчает запуск инструмента.

СБОРКА

ВНИМАНИЕ: Перед проведением каких-либо работ с инструментом обязательно убедитесь, что инструмент отключен, а блок аккумулятора снят.

Установка передней крышки и боковой ручки

ВНИМАНИЕ: Надежно закрутите боковую ручку. При несоблюдении данного требования передняя крышка может упасть и нанести травмы.

► **Рис.7:** 1. Передняя крышка 2. Боковая ручка

Установите на инструмент переднюю крышку и надежно закрепите боковую ручку на инструменте с помощью винта.

Боковую ручку можно установить с любой из двух сторон инструмента.

Установка вала

Дополнительные принадлежности

Для DUT130

1. Затяните вал в держателе вала.

► **Рис.8:** 1. Вал 2. Держатель вала

2. Затяните вал гаечным ключом на 19, удерживая держатель вала другим ключом на 19.

► **Рис.9:** 1. Вал 2. Держатель вала

Для DUT131

1. Вставьте вал в зажимной патрон как можно глубже.

► **Рис.10:** 1. Вал 2. Зажимной патрон

2. Затяните зажимной патрон вручную, затем вставьте патронный ключ в каждое из трех отверстий и затяните патрон, вращая ключ по часовой стрелке. Следите за тем, чтобы затянуть патронный ключ в каждом из трех отверстий равномерно.

► **Рис.11:** 1. Патронный ключ 2. Зажимной патрон

Для снятия вала поверните патронный ключ против часовой стрелки в одном из отверстий, а затем ослабьте патрон вручную.

Установка смешивающего диска

Дополнительные принадлежности

Наденьте смешивающий диск на вал и затяните его с помощью шестигранного болта.

► **Рис.12:** 1. Смешивающий диск 2. Вал 3. Болт с шестигранной головкой

ПРИМЕЧАНИЕ: При установке диска следите за тем, чтобы он был обращен меткой “UP” к инструменту.

► **Рис.13:** 1. Метка

Крючок

Дополнительные принадлежности

ВНИМАНИЕ: Всегда извлекайте аккумулятор при подвешивании инструмента за крючок.

ВНИМАНИЕ: Никогда не вешайте инструмент на высоте или на потенциально неустойчивой поверхности.

► **Рис.14:** 1. Паз 2. Крючок 3. Винт

Крючок удобен для временного подвешивания инструмента. Он может быть установлен с любой стороны инструмента.

Для установки крючка вставьте его в паз в корпусе инструмента с одной из сторон и закрепите при помощи винта. Для снятия ослабьте винт и извлеките ее.

Установка и снятие держателя вала

Дополнительные принадлежности

Для DUT131

1. Вставьте шестигранный ключ в зажимной патрон и отвинтите патрон шестигранным ключом, удерживая шпиндель гаечным ключом.

► **Рис.15:** 1. Шестигранный ключ 2. Зажимной патрон 3. Гаечный ключ

2. Затяните держатель вала гаечным ключом на 19, удерживая шпиндель другим ключом на 19.

► **Рис.16:** 1. Держатель вала 2. Гаечный ключ

Чтобы снять держатель вала, выполните процедуру установки в обратном порядке.

ЭКСПЛУАТАЦИЯ

ВНИМАНИЕ: Не смешивайте горючие материалы, не используйте инструмент поблизости от горючих материалов, например краски с растворителем. Несоблюдение этого требования может стать причиной травмы.

ВНИМАНИЕ: Не перемешивайте вязкие материалы, например строительный раствор или клей, в режиме высокой частоты вращения. Это может привести к потере контроля над инструментом и травмам.

ПРИМЕЧАНИЕ: Если в процессе смешивания материала смешивающий диск выходит из материала, следите за тем, чтобы не разбрызгивать материал.

1. Выбирайте режим высокой частоты вращения или режим низкой частоты вращения в зависимости от перемешиваемого материала.

2. Крепко возьмите инструмент одной рукой за заднюю рукоятку, а другой за ручку, полностью погрузите смешивающий диск в материал, убедитесь в соблюдении требований техники безопасности на месте выполнения работ и только потом включайте инструмент.

3. В процессе смешивания двигайте смешивающий диск вверх-вниз, чтобы обеспечить смешивание материала по всему объему.

4. Завершив смешивание, выключите инструмент, дождитесь полной остановки смешивающего диска и только потом извлекайте инструмент из емкости для смешивания.

ОБСЛУЖИВАНИЕ

⚠ ВНИМАНИЕ: Перед проведением проверки или работ по техобслуживанию всегда проверяйте, что инструмент выключен, а блок аккумулятора снят.

ПРИМЕЧАНИЕ: Запрещается использовать бензин, растворители, спирт и другие подобные жидкости. Это может привести к обесцвечиванию, деформации и трещинам.

Для обеспечения БЕЗОПАСНОСТИ и НАДЕЖНОСТИ оборудования ремонт, любое другое техобслуживание или регулировку необходимо производить в уполномоченных сервис-центрах Makita или сервис-центрах предприятия с использованием только сменных частей производства Makita.

ДОПОЛНИТЕЛЬНЫЕ ПРИНАДЛЕЖНОСТИ

⚠ ВНИМАНИЕ: Данные принадлежности или приспособления рекомендуются для использования с инструментом Makita, указанным в настоящем руководстве. Использование других принадлежностей или приспособлений может привести к получению травмы. Используйте принадлежность или приспособление только по указанному назначению.

Если вам необходимо содействие в получении дополнительной информации по этим принадлежностям, свяжитесь с вашим сервис-центром Makita.

- Смешивающий диск
- Вал
- Держатель вала
- Крючок
- Оригинальный аккумулятор и зарядное устройство Makita

ПРИМЕЧАНИЕ: Некоторые элементы списка могут входить в комплект инструмента в качестве стандартных приспособлений. Они могут отличаться в зависимости от страны.

Makita Europe N.V. Jan-Baptist Vinkstraat 2,
3070 Kortenberg, Belgium

Makita Corporation 3-11-8, Sumiyoshi-cho,
Anjo, Aichi 446-8502 Japan

www.makita.com

885670-989
EN, SV, NO, FI, LV,
LT, ET, RU
20181011