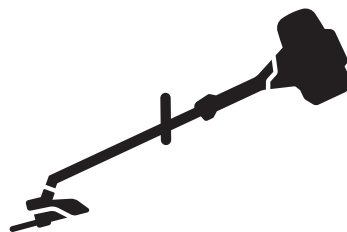




Husqvarna®



122C, 122LK



EN	Operator's manual	2-21
BG	Ръководство за експлоатация	22-43
BS	Korisnički priručnik	44-62
CS	Návod k použití	63-81
DA	Brugsanvisning	82-100
DE	Bedienungsanweisung	101-121
EL	Οδηγίες χρήσης	122-142
ES	Manual de usuario	143-162
ET	Kasutusjuhend	163-181
FI	Käyttöohje	182-200
FR	Manuel d'utilisation	201-220
HR	Priručnik za korištenje	221-239
HU	Használati utasítás	240-259
IT	Manuale dell'operatore	260-279
LT	Operatoriaus vadovas	280-298
LV	Lietošanas pamācība	299-317
NL	Gebruiksaanwijzing	318-337
NO	Bruksanvisning	338-356
PL	Instrukcja obsługi	357-376
PT	Manual do utilizador	377-396
RO	Instrucțiuni de utilizare	397-416
RU	Руководство по эксплуатации	417-438
SK	Návod na obsluhu	439-457
SL	Navodila za uporabo	458-476
SR	Priručnik za rukovaoca	477-495
SV	Bruksanvisning	496-514
TR	Kullanım kılavuzu	515-533
UK	Посібник користувача	534-555

5. Throttle trigger
6. Stop switch
7. Throttle trigger lockout
8. Spark plug cap and spark plug
9. Starter rope handle
10. Fuel tank
11. Air filter cover
12. Air purge bulb
13. Choke control
14. Operator's manual
15. Combination wrench
16. Starter housing
17. Shaft coupling
18. Bevel gear
19. Grease filler cap, bevel gear
20. Drive disc



Use heavy-duty slip-resistant boots.



Only use flexible cutting wire. Do not use metal cutting attachments.



Noise emission to the environment label as per EU and UK directives and regulations, and New South Wales legislation Protection of the Environment Operations (Noise Control) Regulation 2017. The guaranteed sound power level of the product is specified in *Technical data on page 18* and on the label.

Symbols on the product



WARNING! This product is dangerous. Injury or death can occur to the operator or bystanders if the product is not used carefully and correctly. To prevent injury to the operator or bystanders, read and obey all safety instructions in the operator's manual.



Read the operator's manual carefully and make sure that you understand the instructions before use.



Use a protective helmet in locations where objects can fall on you. Use approved hearing protection. Use approved eye protection.



Maximum speed of the output shaft.



The product agrees with the applicable EC directives.



The product can cause objects to eject, which can cause injury.



Keep a minimum of 15 m distance to persons and animals during operation of the product.



Use approved protective gloves.



Air purge bulb.



Choke.



This product conforms to the applicable UK regulations.

yyyywwxxxx

The rating plate shows the serial number. **yyyy** is the production year, **ww** is the production week.

Note: Other symbols/decals on the product refer to certification requirements for other commercial areas.

Euro V Emissions



WARNING: Tampering with the engine voids the EU type-approval of this product.

Customer assistance

For customer assistance, call: 1-800-487-5951 or visit www.husqvarna.com.

Product liability

As referred to in the product liability laws, we are not liable for damages that our product causes if:

- the product is incorrectly repaired.

- the product is repaired with parts that are not from the manufacturer or not approved by the manufacturer.
- the product has an accessory that is not from the manufacturer or not approved by the manufacturer.
- the product is not repaired at an approved service center or by an approved authority.

Safety

Safety definitions

Warnings, cautions and notes are used to point out specially important parts of the manual.



WARNING: Used if there is a risk of injury or death for the operator or bystanders if the instructions in the manual are not obeyed.



CAUTION: Used if there is a risk of damage to the product, other materials or the adjacent area if the instructions in the manual are not obeyed.

Note: Used to give more information that is necessary in a given situation.

General safety instructions



WARNING: Read the warning instructions that follow before you use the product.

- Use the product correctly. Injury or death is a possible result of incorrect use. Only use the product for the tasks found in this manual. Do not use the product for other tasks.
- Obey the instructions in this manual. Obey the safety symbols and the safety instructions. If the operator does not obey the instructions and the symbols, injury, damage or death is a possible result.
- Do not discard this manual. Use the instructions to assemble, to operate and to keep your product in good condition. Use the instructions for correct installation of attachments and accessories. Only use approved attachments and accessories.
- Do not use a damaged product. Obey the maintenance schedule. Only do the maintenance work that you find an instruction about in this manual. An approved service center must do all other maintenance work.
- This manual cannot include all situations that can occur when you use the product. Be careful and use your common sense. Do not operate the product or do maintenance on the product if you are not sure about of the situation. Speak to a product expert, your dealer, service agent or approved service center for information.
- Disconnect the spark plug cable before you assemble the product, put the product into storage or do maintenance.
- Do not use the product if it is changed from its initial specification. Do not change a part of the product without approval from the manufacturer. Only use parts approved by the manufacturer. Injury or death is a possible result of incorrect maintenance.
- Do not breathe in the fumes from the engine. Long-term inhalation of the engine's exhaust fumes is a health risk.
- Do not start the product indoors or near flammable material. The exhaust fumes are hot and can contain a spark which can start a fire. Not sufficient airflow can cause injury or death because of asphyxiation or carbon monoxide.
- When you use this product the engine makes an electromagnetic field. The electromagnetic field can cause damage to medical implants. Speak to your physician and medical implant manufacturer before you operate the product.
- Do not let a child operate the product. Do not let a person without knowledge of the instructions operate the product.
- Make sure that you always monitor a person, with decreased physical capacity or mental capacity, that uses the product. A responsible adult must be there at all times.
- Lock the product in an area that children and unapproved persons cannot access.
- The product can eject objects and cause injuries. Obey the safety instructions to decrease the risk of injury or death.
- Do not go away from the product when the engine is on.
- The operator of the product is responsible if an accident occurs.
- Make sure that parts are not damaged before you use the product.
- Make sure that you are at minimum 15 m (50 ft) away from other persons or animals before you use the product. Make sure that persons in the adjacent area know that you will use the product.
- Refer to national or local laws. They can prevent or decrease the operation of the product in some conditions.
- Do not use the product if you are fatigued or influenced by alcohol, drugs or medicine. They can have effects on your vision, alertness, coordination or judgment.

Safety instructions for assembly



WARNING: Read the warning instructions that follow before you use the product.

- Remove the spark plug cap from the spark plug before you assemble the product.
- Use approved protective gloves.
- Make sure that you assemble the cover and shaft correctly before you start the engine.

Safety instructions for operation

- Make sure the product is fully assembled before you use it.
- Before a start, move the product 3 m (10 ft) away from the position where you filled the fuel tank. Put the product on a flat surface. Make sure that the cutting attachment does not touch the ground or other objects.
- The product can cause objects to eject, which can cause damage to the eyes. Always use an approved eye protection when you operate the product.
- Be careful, a child can come near the product without your knowledge during operation.
- Do not operate the product if there are persons in the work area. Stop the product if a person goes into the work area.
- Make sure that you are always in control of the product.
- Do not use the product if you cannot receive aid if an accident occurs. Always make sure others know you will operate the product before you start to operate the product.
- Do not turn with the product before you make sure that no persons or animals are in the safety area.
- Remove all unwanted materials from the work area before you start. If the cutting attachment hits an object, the object can eject and cause injury or damage. Unwanted material can wind around the cutting attachment and cause damage.
- Do not use the product in bad weather (fog, rain, strong winds, risk of lightning or other weather conditions.). Dangerous conditions (such as slippery surfaces) can occur because of bad weather.

- Make sure that you can move freely and work in a stable position.



- Make sure that you cannot fall when you use the product. Do not tilt when you operate the product.
- Always hold the product with your two hands. Hold the product on the right side of your body.



- Operate the product with the cutting attachment below your waist.
- If the choke control is in the choke position when the engine starts, the cutting attachment starts to turn.
- Do not touch the bevel gear after the engine stops. The bevel gear is hot after the engine stops. Hot areas can cause injury.
- Stop the engine before you move the product.
- Do not put down the product with the engine on.
- Before you remove the unwanted materials from the product, stop the engine and wait until the cutting attachment stops. Let the cutting attachment stop before you or an aid remove the cut material.

Personal protective equipment



WARNING: Read the warning instructions that follow before you use the product.

- Always use approved personal protective equipment when you use the product. Personal protective equipment cannot fully prevent injury but it decreases the degree of injury if an accident does occur. Let your dealer help you select the right equipment.
- Use a protective helmet where there is a risk of falling objects.

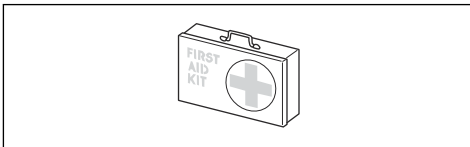
- Use approved hearing protection that provides adequate noise reduction. Long-term exposure to noise can result in permanent hearing impairment.
- Use approved eye protection. If you use a visor, you must also use approved protective goggles. Approved protective goggles must comply with the ANSI Z87.1 standard in the USA or EN 166 in EU countries.
- Use a visor for face protection. A visor is not enough for protection of the eyes.



- Use gloves when necessary, for example when you attach, examine or clean the cutting equipment.
- Use sturdy non-slip boots.
- Use clothing made of a strong fabric. Always use heavy, long pants and long sleeves. Do not use loose clothing that can catch on twigs and branches. Do not wear jewelry, short pants, sandals or go with bare feet. Put your hair up safely above shoulder level.



- Keep first aid equipment close at hand.



Safety devices on the product

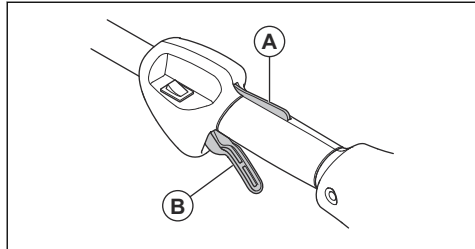


WARNING: Read the warning instructions that follow before you use the product.

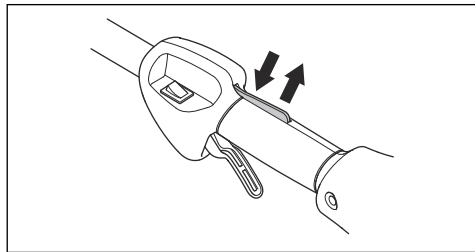
- Do not use a product with defective safety devices.
- Do a check of the safety devices regularly. Refer to *Maintenance schedule on page 14*.
- If the safety devices are defective, speak to your Husqvarna servicing dealer.

To do a check of the throttle trigger lockout

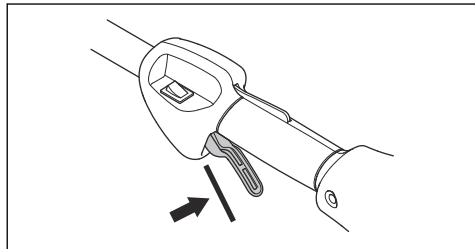
1. Make sure that the throttle trigger lockout (A) and throttle trigger (B) move freely and that the return spring works correctly.



2. Push down the throttle trigger lockout and make sure that it goes back to its initial position when you release it.



3. Make sure that the throttle trigger is locked at the idle position when the throttle trigger lockout is released.



4. Start the product and apply full throttle.
5. Release the throttle trigger and make sure that the blades stop and stay stationary.

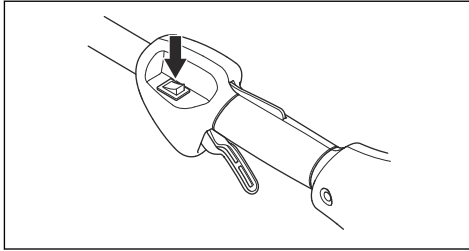


WARNING: If the blades move when the throttle trigger is in the idle position, then the carburetor idle speed must be adjusted. Refer to *To adjust the idle speed on page 14*.

To do a check of the stop switch

1. Start the engine.

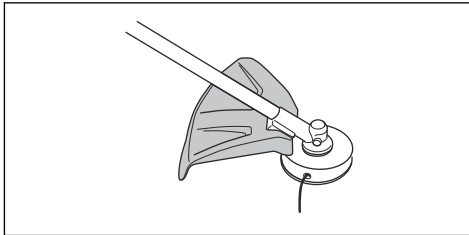
2. Move the stop switch to the stop position and make sure that the engine stops.



To do a check of the cutting attachment guard

The cutting attachment guard stops objects that ejects in the direction of the operator. It also prevents injuries that occur if you touch the cutting attachment.

1. Stop the engine.
2. Do a visual check for damages, for example cracks.



3. Replace the cutting attachment guard if it is damaged.

Muffler

- Do not use an engine with a damaged muffler. A damaged muffler increases the noise level and the risk of fire. Keep a fire extinguisher near.
- Examine regularly that the muffler is attached to the product.
- Do not touch the engine or the muffler when the engine is on. Do not touch the engine or the muffler for a while after the engine stops. Hot surfaces can cause injuries.
- A hot muffler can cause a fire. Be careful, if you use the product near flammable liquids or fumes.
- Do not touch the parts in the muffler, if the muffler is damaged. The parts can contain some carcinogenic chemicals.

Cutting attachment



WARNING: Read the warning instructions that follow before you use the product.

- Do the regular maintenance. Let an approved service center regularly examine the cutting attachment to do adjustments or repairs.

- The performance of the cutting attachment increases.
- The life of the cutting attachment increases.
- The risk of accidents decreases.
- Only use an approved cutting attachment guard. Refer to *Accessories on page 19*.
- Do not use a damaged cutting attachment.

Fuel safety



WARNING: Read the warning instructions that follow before you use the product.

- Do not mix the fuel indoor or near a heat source.
- Do not start the product if there is fuel or engine oil on the product. Remove the unwanted fuel/oil and let the product dry. Remove unwanted fuel from the product.
- If you spill fuel on your clothing, change clothing immediately.
- Do not get fuel on your body, it can cause injury. If you get fuel on your body, use a soap and water to remove the fuel.
- Do not start the engine if you spill oil or fuel on the product or on your body.
- Do not start the product if the engine has a leak. Examine the engine for leaks regularly.
- Be careful with fuel. Fuel is flammable and the fumes are explosive and can cause injuries or death.
- Do not breathe in the fuel fumes, it can cause injury. Make sure that there is sufficient airflow.
- Do not smoke near the fuel or the engine.
- Do not put warm objects near the fuel or the engine.
- Do not add the fuel when the engine is on.
- Make sure that the engine is cool before you refuel.
- Before you refuel, open the fuel tank cap slowly and release the pressure carefully.
- Make sure there are sufficient airflow when refueling and mixing fuel (petrol and two-stroke oil) or draining the fuel tank.
- Fuel and fuel vapor are highly flammable and can cause serious injury when inhaled or allowed to come into contact with the skin. For this reason, observe caution when handling fuel and make sure there is sufficient airflow.
- Tighten the fuel tank cap carefully or a fire can occur.
- Move the product at a minimum of 3 m (10 ft) from the position where you filled the tank before a start.
- Do not put too much fuel in the fuel tank.
- Make sure that a leak cannot occur when you move the product or fuel container.
- Do not put the product or a fuel container where there is an open flame, spark or pilot light. Make sure that the storage area does not contain an open flame.

- Only use approved containers when you move the fuel or put the fuel into storage.
- Empty the fuel tank before long-term storage. Obey the local law on where to dispose fuel.
- Clean the product before long-term storage.
- Remove the spark plug cap before you put the product into storage to make sure that the engine does not start accidentally.

Safety instructions for maintenance



WARNING: Read the warning instructions that follow before you use the product.

- Stop the engine, make sure that the cutting attachment stops and let the product cool down before you do the maintenance.
- Disconnect the spark plug cap before you do the maintenance.
- The exhaust fumes from the engine contain carbon monoxide, an odourless, poisonous and very dangerous gas that can cause death. Do not run the product indoors or in closed spaces.

- The exhaust fumes from the engine are hot and can contain sparks. Do not run the product indoors or near flammable material.
- Accessories and changes to the product that are not approved by the manufacturer, can cause serious injury or death. Do not change the product. Always use original accessories.
- If the maintenance is not done correctly and regularly, there is an increased risk of injury and damage to the product.
- Only do the maintenance as this operator's manual recommends. Let an approved Husqvarna service agent do all other servicing.
- Let an approved Husqvarna service agent do servicing on the product regularly.
- Replace damaged, worn or broken parts.
- Refer to the instructions for the cutting attachment for correct procedure to install the trimmer cord and correct cord diameter.
- Keep the teeth of the blade correctly sharpened. Obey our recommendations. Also refer to the instructions on the blade package.

Assembly

Introduction



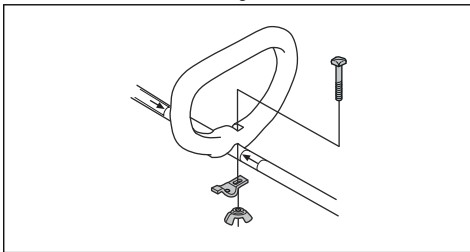
WARNING: Before you assemble the product, you must read and understand the safety chapter.



WARNING: Remove the spark plug cable from the spark plug before you assemble the product.

To attach the loop handle

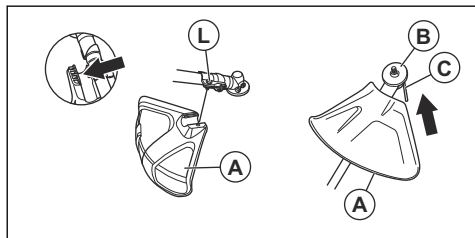
1. Attach the loop handle to the shaft in compliance with the illustration and tighten.



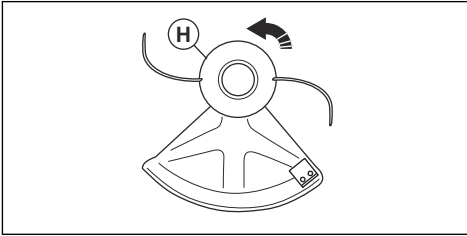
2. Make sure that the loop handle attaches between the arrows on the shaft.

To attach the cutting attachment guard and the trimmer head (straight shaft)

1. Attach the cutting attachment guard (A) to the shaft with the bolt (L).
2. Attach the drive disc (B) to the output shaft.
3. Turn the output shaft until the hole in the drive disc aligns with the hole in the gear housing.
4. Put a small screwdriver (C) in the hole to lock the shaft.

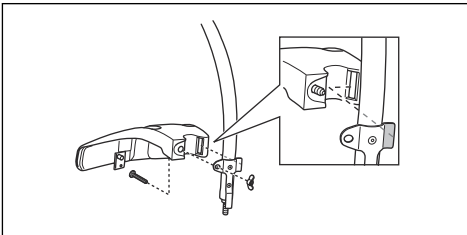


- Turn the trimmer head (H) counterclockwise to tighten the trimmer head to the gearbox. (Left hand threads.)

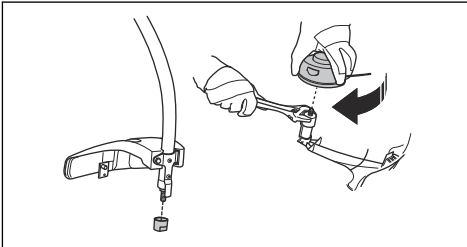


To attach the cutting attachment guard and trimmer head (curved shaft)

- Attach the guard. Tighten the nut.



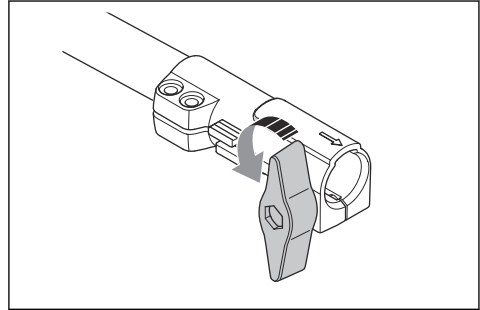
- Attach the dust cup on the shaft.



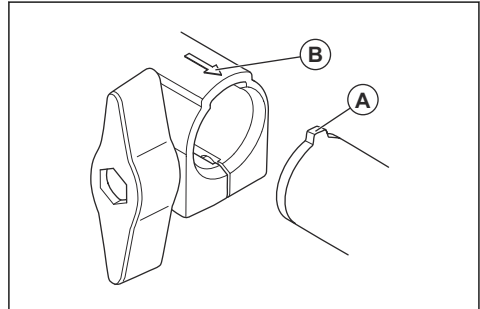
- Hold the dust cup with an adjustable wrench to make sure the shaft does not turn.
- Attach the trimmer head to the shaft. Turn the trimmer head clockwise.

To assemble the two-piece shaft

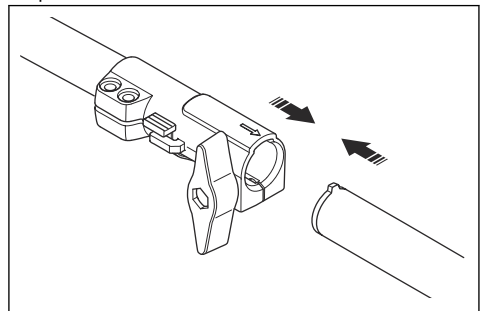
- Turn the knob to loosen the coupling.



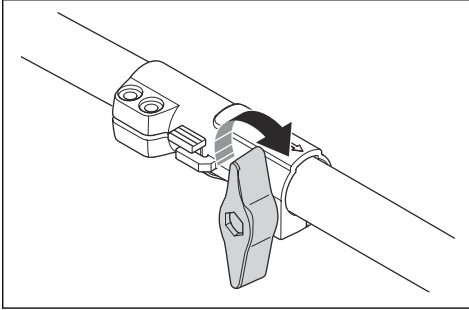
- Align the tab (A) with the arrow (B) on the coupling.



- Push the shaft into the coupling until it clicks into position.

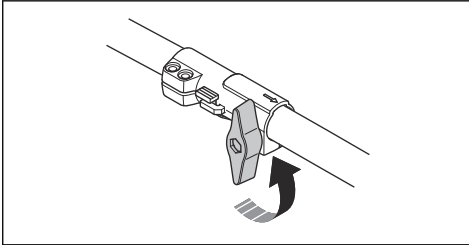


4. Tighten the knob fully.

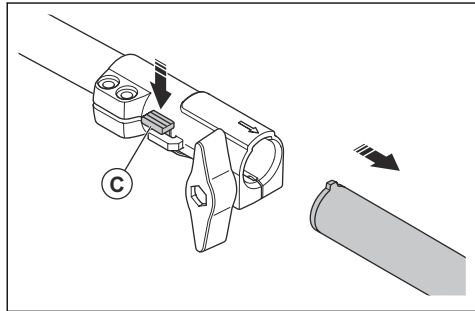


To disassemble the two-piece shaft

1. Turn the knob 3 turns or more to loosen the coupling.



2. Push and hold the button (C).
3. Hold tight to the end of the shaft that the engine is attached to.
4. Pull the attachment straight out of the coupling.



Operation

Introduction



WARNING: Before you operate the product, you must read and understand the safety chapter.

Fuel

This product has a two-stroke engine.



CAUTION: Incorrect type of fuel can result in engine damage. Use a mixture of gasoline and two-stroke oil.

Premixed fuel

- Use Husqvarna premixed alkylate fuel for best performance and extension of the engine life. This fuel contains less harmful chemicals compared to regular fuel, which decreases harmful exhaust fumes. The quantity of remains after combustion is lower with this fuel, which keeps the components of the engine more clean.

To mix fuel

Gasoline

- Use good quality unleaded gasoline with a maximum of 10% ethanol contents.



CAUTION: Do not use gasoline with an octane grade less than 90 RON/87 AKI. Use of a lower octane grade can cause engine knocking, which causes engine damages.

Two-stroke oil

- For best results and performance use Husqvarna two-stroke oil.
- If Husqvarna two-stroke oil is not available, use a two-stroke oil of good quality for air-cooled engines. Speak to your servicing dealer to select the correct oil.



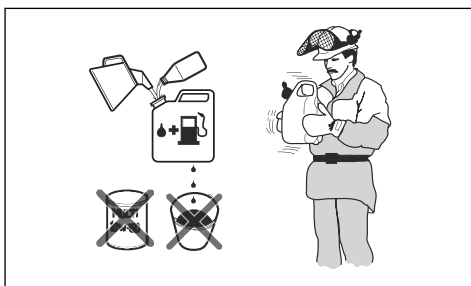
CAUTION: Do not use two-stroke oil for water-cooled outboard engines, also referred to as outboard oil. Do not use oil for four-stroke engines.

To mix gasoline and two-stroke oil

Gasoline, liter	Two-stroke oil, liter
	2% (50:1)
5	0.10
10	0.20
15	0.30
20	0.40



CAUTION: Small errors can influence the ratio of the mixture drastically when you mix small quantities of fuel. Measure the quantity of oil carefully and make sure that you get the correct mixture.



1. Fill half the quantity of gasoline in a clean container for fuel.
2. Add the full quantity of oil.
3. Shake the fuel mixture.
4. Add the remaining quantity of gasoline to the container.
5. Carefully shake the fuel mixture.



CAUTION: Do not mix fuel for more than 1 month at a time.

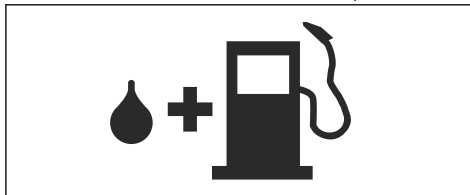
To fill the fuel tank



WARNING: Obey the procedure that follows for your safety.

1. Stop the engine and let the engine become cool.

2. Clean the area around the fuel tank cap.



3. Shake the container and make sure that the fuel is fully mixed.
4. Remove the fuel tank cap slowly to release the pressure.
5. Fill the fuel tank.



CAUTION: Make sure that there is not too much fuel in the fuel tank. The fuel expands when it becomes hot.

6. Tighten the fuel tank cap carefully.
7. Clean fuel spillage on and around the product.
8. Move the product 3 m/10 ft or more away from the refueling area and fuel source before you start the engine.

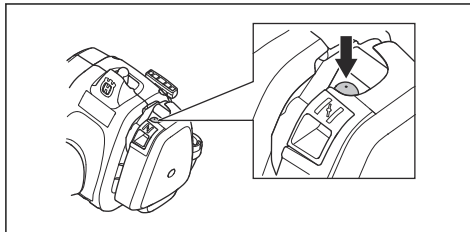
Note: To see where the fuel tank is on your product, refer to *Product overview on page 2*.

To examine before start

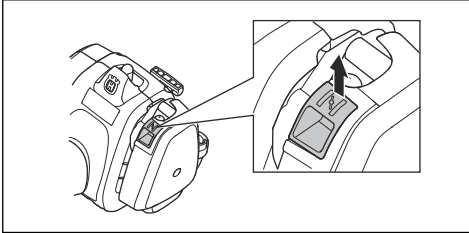
1. Make sure that the product has no missing, damaged, loose or worn parts.
2. Make sure that nuts, screws and bolts are tightened.
3. Make sure that the trimmer head is not damaged.
4. Make sure that the air filter is not clogged.
5. Make sure that the safety devices on the product are not defective.
6. Make sure that the product has no fuel leaks.

To start a cold engine

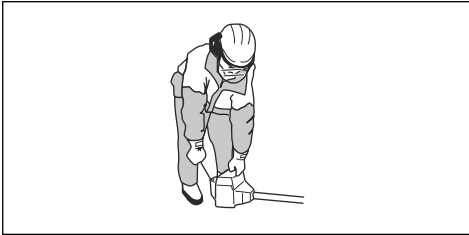
1. Push the air purge bulb 10 times.



2. Set the choke control in the choke position.



3. Hold the body of the product on the ground with your left hand.



CAUTION: Do not step on the product.

4. Pull the starter rope handle slowly with your right hand until you feel resistance. Then pull the starter rope handle quickly and with force until the engine starts or tries to start.



WARNING: Do not twist the starter rope around your hand.

5. Set the choke control in the operation position.
6. If the engine starts, push the throttle trigger lightly and let the engine run 60 seconds to become warm. If the engine does not start, pull the starter rope handle until the engine starts. Then push the throttle trigger lightly and let the engine run 60 seconds to become warm.



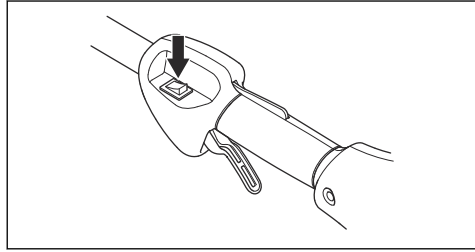
CAUTION: Do not pull the starter rope to full extension and do not let go of the starter rope handle. This can cause damage to the product. Release the starter rope slowly.

To start a warm engine

1. Push the air purge bulb 10 times.
2. Pull the starter rope until the engine starts.

To stop the product

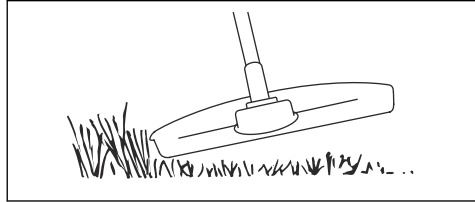
- Push the stop switch to stop the engine.



Note: The stop switch automatically goes back to its initial position.

To trim the grass

1. Hold the trimmer head immediately above the ground at an angle. Do not push the trimmer line into the grass.



2. Decrease the length of the trimmer line by 10-12 cm / 4-4.75 in.
3. Decrease the engine speed to decrease the risk of damage to plants.
4. Use 80 % throttle when you cut grass near objects.



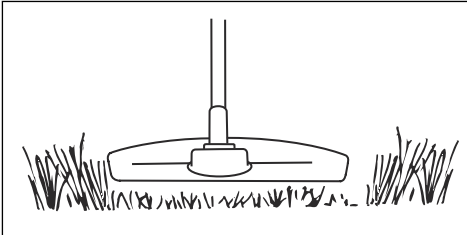
To clear grass with a grass blade

1. Grass blades and grass cutters must not be used on woody stems.
2. A grass blade is used for all types of tall or coarse grass.
3. The grass is cut down with a sideways, swinging movement, where the movement from right-to-left is the clearing stroke and the movement from left-to-right is the return stroke. Let the left-hand side of the blade (between 8 and 12 o'clock) do the cutting.

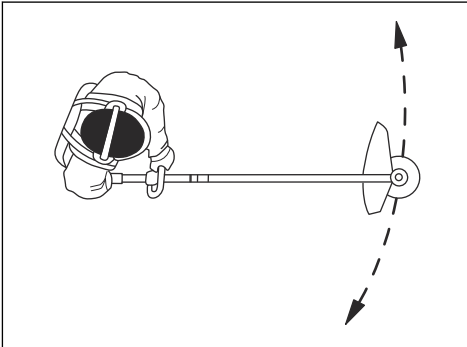
4. if the blade is angled to the left when clearing grass, the grass will collect in a line, which makes it easier to collect, e.g. by raking.
5. Try to work rhythmically. Stand firmly with your feet apart. Move forward after the return stroke and stand firmly again.
6. Let the support cup rest lightly against the ground. It is used to protect the blade from hitting the ground.
7. Reduce the risk of material wrapping around the blade by always work at full throttle and avoid the previously cut material during the return stroke.
8. Stop the engine, unclip the harness and place the machine on the ground before you start to collect the cut material.

To cut the grass

1. Make sure that the trimmer line is parallel to the ground when you cut the grass.



2. Do not push the trimmer head to the ground. This can cause damage to the product.
3. Move the product from side to side when you cut grass. Use full speed.



To sweep the grass

The airflow from the rotating trimmer line can be used to remove cut grass from an area.

1. Hold the trimmer head and the trimmer line parallel to the ground and above the ground.
2. Apply full throttle.
3. Move the trimmer head from side to side and sweep the grass.



WARNING: Clean the trimmer head cover each time you assemble new trimmer line to prevent unbalance and vibrations in the handles. Also do a check of the other parts of the trimmer head and clean it if necessary.

Grass trimmer head

- Make sure that you wind the grass trimmer line tightly and equally around the drum to decrease the vibration.
- Use only the approved grass trimmer heads and grass trimmer lines. Refer to *Accessories on page 19*.
- Use a correct length of the grass trimmer line. A long grass trimmer line uses more engine power than a short grass trimmer line.
- Make sure that the cutter on the cutting attachment guard is not damaged.
- Soak the grass trimmer line in water for 2 days before you attach the grass trimmer line to the product. This increases the life of the grass trimmer line.
- Refer to the instructions for the cutting attachment to use the correct procedure to load the cord and the correct cord diameter.

Maintenance

Introduction



WARNING: Before you do maintenance, you must read and understand the safety chapter.

For all servicing and repair work on the product, special training is necessary. We guarantee the availability of professional repairs and servicing. If your dealer is not a service agent, speak to them for information about the nearest service agent.

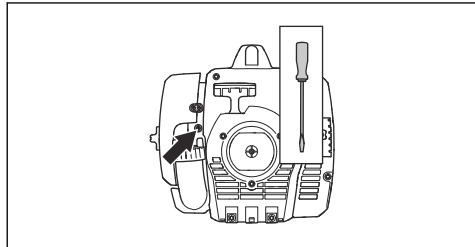
Maintenance schedule

Maintenance	Daily	Weekly	Monthly
Clean the external surface.	X		
Clean the air filter. Replace if it is necessary.	X		
Examine the function of the throttle trigger lock and the throttle.	X		
Examine the stop switch.	X		
Examine the guards.	X		
Examine the trimmer head.	X		
Examine the locknut.	X		
Examine for fuel leaks.	X		
Make sure that the grass blade is aligned with the center, that it is sharp and does not have damages on the blade or the center hole.	X		
Make sure that the cutting attachment does not rotate at idle speed.	X		
Apply grease to the two-piece shaft.		X	
Examine the starter rope handle and the starter rope.		X	
Examine the bevel gear grease.		X	
Clean the external surface of the spark plug. Remove the spark plug and measure the electrode gap. Adjust the electrode gap or replace the spark plug.		X	
Clean the cooling system.		X	
Clean or replace the spark arrestor screen on the muffler.		X	
Clean the external surface of the carburetor and the area around it.		X	
Examine the fuel filter for contamination.			X
Examine the fuel hose for damage.			X
Examine all cables and connections.			X
Examine the clutch, the clutch springs and the clutch drum for wear.			X
Replace the spark plug.			X

To adjust the idle speed

Make sure that the air filter is clean and the air filter cover is attached before you adjust the idle speed.

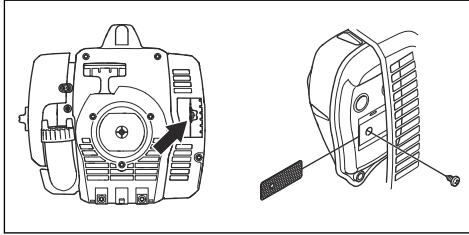
1. Turn the idle speed screw T, which is identified with a "T" mark, clockwise until the cutting attachment starts to rotate.



2. Turn the idle speed screw T, which is identified with a "T" mark, counterclockwise until the cutting attachment stops.
3. The idle speed must be below the speed when the cutting attachment starts to rotate. The idle speed is correct when the engine operates smoothly in all positions.

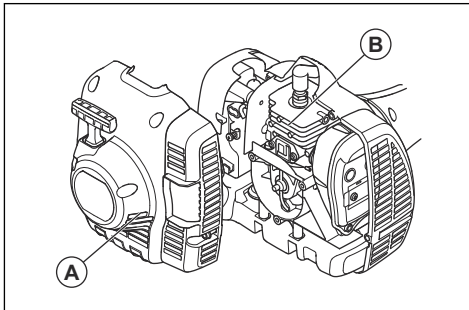
To do maintenance on the spark arrester screen

- Use a wire brush to clean the spark arrester screen.



To clean the cooling system

- Clean the air intake (A) on the starter and the cooling fins (B) on the cylinder with a brush.



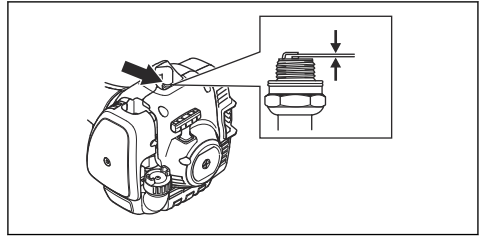
To examine the spark plug



CAUTION: Use the recommended spark plug. Make sure that the replacement is the same as the manufacturer supplied part. An incorrect spark plug can cause damage to the product. Make sure that the spark plug is installed with a suppressor. Speak to your servicing dealer for more information.

1. Examine the spark plug when:
 - a) the engine is low on power.
 - b) the engine is not easy to start.
 - c) the engine does not operate correctly at idle speed.

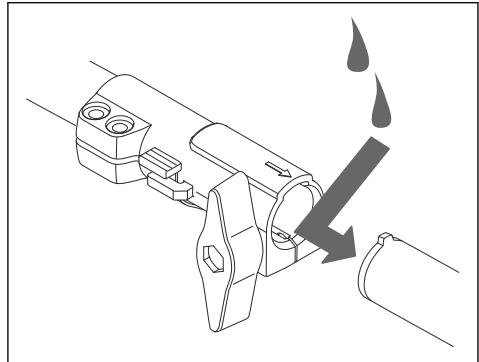
2. If the engine is not easy to start or operate, examine the spark plug for unwanted materials. To decrease the risk of unwanted material on the spark plug electrodes:
 - a) make sure that the idle speed is correctly adjusted.
 - b) make sure that the fuel mixture is correct.
 - c) make sure that the air filter is clean.
3. Clean the spark plug if it is dirty. Make sure that the electrode gap is correct. Refer to *Technical data on page 18*.



4. Replace the spark plug when it is necessary.

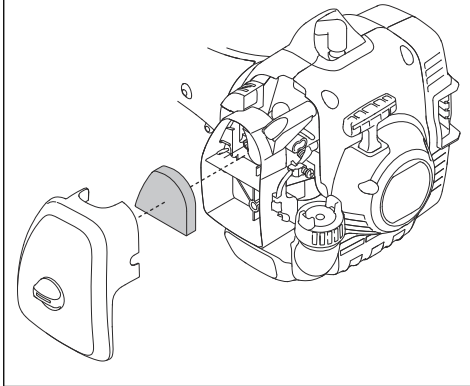
To apply grease to the two-piece shaft

- Apply grease to the end of the drive shaft after each 30 hours of operation.



To clean the air filter

1. Remove the air filter cover and remove the air filter.



2. Clean the air filter with warm soap water. Make sure that the air filter is dry before you install it.
3. Replace the air filter if it is too dirty to fully clean it. Always replace a damaged air filter.
4. If your product has a foam air filter, apply air filter oil. Only apply air filter oil to a foam filter. Do not apply oil to a felt filter.

To apply air filter oil to the air filter

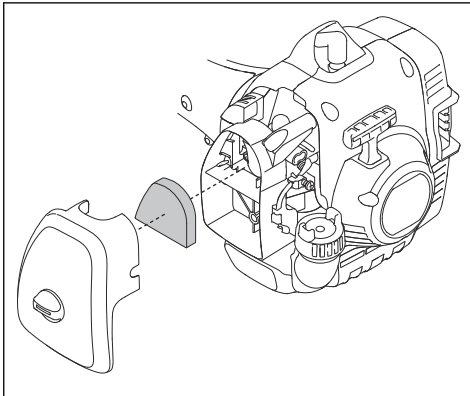


CAUTION: Always use special air filter oil on foam air filters. Do not use other types of oil.

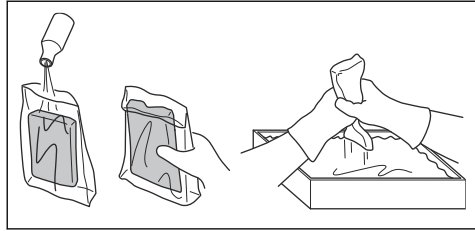


WARNING: Do not get oil on your body.

1. Remove the air filter cover and remove the air filter.



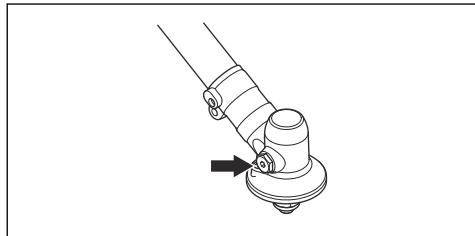
2. Put the air filter in a plastic bag.
3. Put the air filter oil in the plastic bag.



4. Push the plastic bag to make sure the oil supplies equally across the air filter.
5. Push on the air filter, while in the bag, to remove the air filter oil that is not necessary. Remove the air filter from the bag.
6. Install the air filter.

To add grease to the bevel gear

- Make sure that the bevel gear is filled $\frac{3}{4}$ full with bevel gear grease.



Troubleshooting

The engine does not start

Check	Possible cause	Procedure
Starter pawls.	The starter pawls cannot move freely.	Remove the starter cover and clean around the starter pawls.
		Let an approved servicing dealer help you.
Fuel tank.	Incorrect fuel type.	Drain the fuel tank and fill with correct fuel.
Spark plug.	The spark plug is dirty or wet.	Make sure that the spark plug is dry and clean.
	The spark plug electrode gap is incorrect.	Clean the spark plug. Make sure that the electrode gap is correct. Make sure that the spark plug has a suppressor.
		Refer to <i>Technical data on page 18</i> for correct electrode gap.
The spark plug is loose.	Tighten the spark plug.	

The engine starts but stops again

Check	Possible cause	Procedure
Fuel tank	Incorrect fuel type.	Empty the fuel tank and fill it with correct fuel.
Air filter	The air filter is clogged.	Clean the air filter.

Transportation and storage

- Always allow the product to cool down before storage.
- For storage and transportation of the product and fuel, make sure that there are no leaks or fumes. Sparks or open flames, for example from electrical devices or boilers, can start a fire.
- Always use approved containers for storage and transportation of fuel.
- Empty the fuel before transportation or before long-term storage. Discard the fuel at an applicable disposal location.
- Attach the transport guard during transportation and storage.
- Remove the spark plug cap from the spark plug.
- Attach the product during transportation. Make sure that it cannot move.
- Clean and do servicing on the product before long-term storage.

Technical data

Technical data

	122C	122LK
Engine		
Cylinder displacement, cm ³	21.7	21.7
Idle speed, rpm	2900	2900
Recommended max. speed, rpm	7200	9100
Speed of output shaft, rpm	7200	6232
Power / Max. engine output, acc. to ISO 8893, kW/hp @ rpm	0.6/0.8 @ 7800	0.6/0.8 @ 7800
Catalytic converter muffler	Yes	Yes
Speed-regulated ignition system	No	No
Ignition system		
Spark plug	HQT-4 672201	HQT-4 672201
Electrode gap, mm	0.5	0.5
Fuel system		
Fuel tank capacity, l/cm ³	0.3/300	0.3/300
Weight		
Weight without fuel, cutting attachment and guard, kg	4.4	4.8
Noise emissions ¹		
Sound power level, measured, dB(A)	102	104
Sound power level, guaranteed (L _{WA}) , dB(A)	104	108
Noise levels ²		
Equivalent sound pressure level at the operator's ear, measured according to EN ISO 11806 and ISO 22868, dB(A):	88	90
Vibration levels ³		
Equivalent vibration level (a _{hv, eq}) equipped with trimmer head, left handle, m/s ²	5.0	3.6
Equivalent vibration level (a _{hv, eq}) equipped with trimmer head, right handle, m/s ²	3.6	3.5

¹ Noise emissions in the environment measured as sound power (L_{WA}) in conformity with EC directive 2000/14/EC. Reported sound power level for the product has been measured with the original cutting attachment that gives the highest level. The difference between guaranteed and measured sound power is that the guaranteed sound power also includes dispersion in the measurement result and the variations between different products of the same model according to Directive 2000/14/EC.

² Reported data for equivalent sound pressure level for the product has a typical statistical dispersion (standard deviation) of 1 dB (A).

³ Reported data for equivalent vibration level has a typical statistical dispersion (standard deviation) of 1 m/s².

Accessories

Accessories

122C		
Approved accessories	Type	Cutting attachment guard
Threaded shaft	3/8 R	–
Trimmer head	T25 (Ø 2.0 - 2.4 mm cord)	574 47 95-01
	T25C (Ø 2.0 - 2.7 mm cord)	
	R25 (Ø 2.0 - 2.4 mm cord)	
122LK		
Approved accessories	Type	Cutting attachment guard
Threaded shaft	M10	–
Trimmer head	T25 (Ø 2.0 - 2.4 mm cord)	574 19 87-01
	R25 (Ø 2.0 - 2.4 mm cord)	

The following attachments are recommended for the specified models.

Approved attachments	Type	Use with
Clean sweep attachment	SR600-2	122LK
Hedge trimmer attachment	HA200	122LK
Hedge trimmer attachment	HA860	122LK
Edger attachment	ECA850, ESA860	122LK
Saw attachment	PA1100	122LK
Extension attachment	EX780	122LK
Cultivator attachment	CA230	122LK
Blower attachment	BA101	122LK
Bristle brush attachment	BR600	122LK
Dethatcher attachment	DT600	122LK

Declaration of Conformity

EU Declaration of Conformity

We, Husqvarna AB, SE-561 82 Huskvarna, Sweden,
tel: +46-36-146500, declare under our sole responsibility
that the product:

Description	Gasoline Grass Trimmer / Brushcutter
Brand	Husqvarna
Type / Model	122C, 122LK
Identification	Serial number dating 2022 and onwards

complies fully with the following EU directives and regulations:

Regulation	Description
2006/42/EC	"relating to machinery"
2014/30/EU	"relating to electromagnetic compatibility"
2000/14/EC	"relating to outdoor noise"
2011/65/EU	"restriction of use of certain hazardous substances"

The following standards have been applied:

EN ISO 12100:2010, EN ISO 11806-1:2011, ISO
14982:1998, CISPR 12:2007+A1:2009, EN IEC
63000:2018

RISE SMP Svensk Maskinprovning AB, Box 7035,
SE-750 07 Uppsala, Sweden, has performed voluntary
type examination on behalf of Husqvarna AB.

The certificates are numbered: 122C - SEC/10/2271,
122LK - SEC/10/2272

RISE SMP Svensk Maskinprovning AB, has also verified
agreement with appendix V of the council's directive
2000/14/EG.

The certificates are numbered: 122C - 01/164/068,
122LK - 01/164/067.

Huskvarna 2022-05-13



Claes Losdal, R&D Manager, Husqvarna AB

Responsible for technical documentation



UK Declaration of Conformity

We, **Husqvarna AB**, SE-561 82 Huskvarna, Sweden, tel:
+46-36-146500, declare on our sole responsibility that
the product:

Description	Gasoline Grass Trimmer / Brushcutter
Brand	Husqvarna
Type / Model	122C, 122LK
Identification	Serial number dating 2022 and onwards

complies fully with the following UK regulations:

Description
The Supply of Machinery (Safety) Regulations 2008
Electromagnetic Compatibility Regulations 2016
The Noise Emission in the Environment by Equipment for use Outdoors Regulations 2001, schedule 8
The Restriction of the use of Certain Hazardous Substances in Electrical and Electronic Equipment Regulations 2012

The following standards have been applied:

EN ISO 12100:2010, EN ISO 11806-1:2011, ISO
14982:1998, CISPR 12:2007+A1:2009, EN IEC
63000:2018

For information relating to noise emissions, refer to
Technical data on page 18.

Husqvarna 2022-05-13



Claes Losdal, R&D Manager, Husqvarna AB

Responsible for technical documentation

**UK
CA**

UK Importer:
Husqvarna UK Ltd
Preston Road, Co. Durham
DL5 6UP

Съдържание

Въведение.....	22	Отстраняване на проблеми.....	39
Безопасност.....	24	Транспорт и съхранение.....	40
Монтаж.....	29	Технически данни.....	40
Операция.....	31	Принадлежности.....	41
Поддръжка.....	35	Декларация за съответствие.....	43

Въведение

Описание на продукта

Продуктът е ножица за трева с двигател с вътрешно горене.

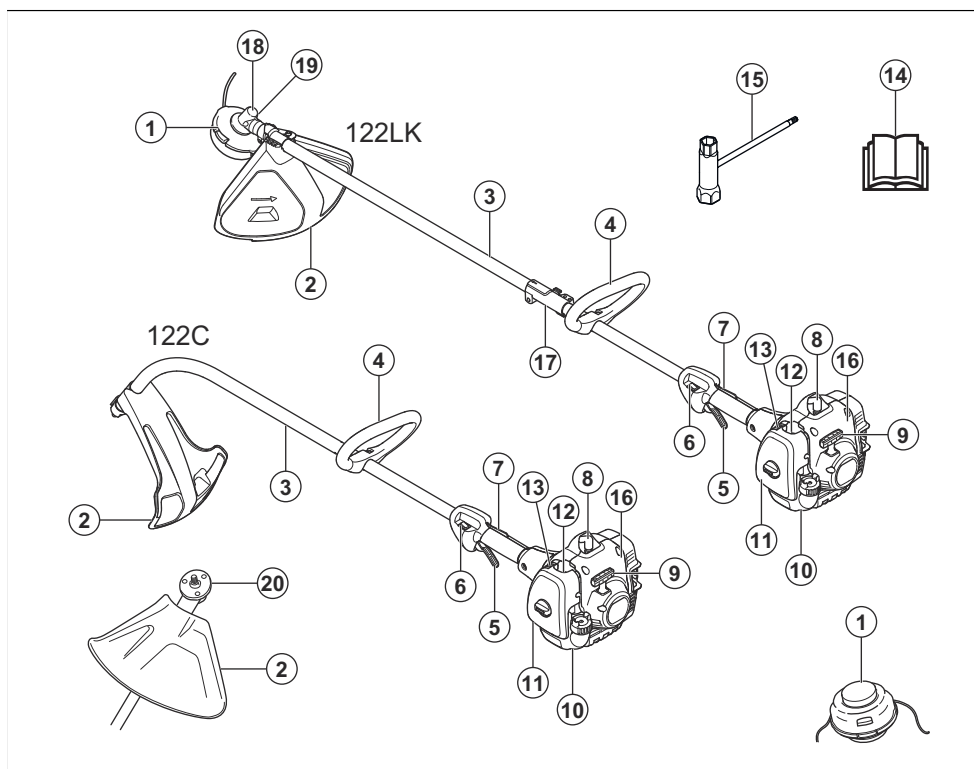
Ние работим постоянно, за да подобряваме Вашата безопасност и ефективност по време на работа. Свържете се с дистрибутор по обслужването за повече информация.

Предназначение

Продуктът се използва с тримерна глава за косене на трева. Не използвайте продукта за дейности, различни от подрязване и косене на трева.

Забележка: Националните разпоредби могат да поставят ограничения за работата с продукта.

Общ преглед на продукта



1. Тримерна глава

2. Предпазител на режещо оборудване

3. Вал

4. Примкова ръкохватка

5. Регулатор за газта
6. Превключвател за спиране
7. Блокировка на регулатор за газта
8. Капачка на свещ и свещ
9. Дръжка на въжето на стартера
10. Резервоар за гориво
11. Капак на въздушния филтър
12. Купол на горивната помпа
13. Смукач
14. Ръководство за експлоатация
15. Комбиниран гаечен ключ
16. Корпус на стартера
17. Съединение на вала
18. Ъглова зъбна предавка
19. Капачка за пълнене с грес, ъглова зъбна предавка
20. Задвижващ диск

Символи върху продукта



ПРЕДУПРЕЖДЕНИЕ! Този продукт е опасен. Невнимателното и погрешното използване на продукта може да доведе до нараняване или смърт на оператора или наблюдатели. За да предотвратите нараняване на оператора или наблюдатели, прочетете и спазвайте всички инструкции за безопасност в ръководството за оператора.



Прочетете внимателно ръководството за оператора и се уверете, че разбирате инструкциите, преди да използвате машината.



Използвайте предпазна каска на местата, където върху Вас могат да паднат предмети. Използвайте одобрена защита на слуха. Използвайте одобрени защитни средства за очите.



Максимални обороти на изходния вал.



Продуктът е в съответствие с приложимите директиви на ЕО.



Възможно е изхвърчане на предмети от продукта, което може да доведе до нараняване.



Поддържайте минимална дистанция от 15 m спрямо хора и животни по време на работа с продукта.



Използвайте одобрени защитни ръкавици.



Използвайте устойчиви на плъзгане ботуши за тежък режим на работа.



Използвайте само гъвкава тел за рязане. Не използвайте метални режещи приставки.



Етикет за шумовата емисия за околната среда съгласно директивите и регламентите на ЕС и Обединеното кралство и законодателството на Нов Южен Уелс "Регламент 2017 относно защитата от дейности, оказващи влияние на околната среда (контрол на шума)". Гарантираното ниво на звуковата мощност на продукта е посочено в *Технически данни на страница 40* и на етикета.



Купол на горивната помпа.



Смукач.



Този продукт съответства на приложимите регламенти на Обединеното кралство.

yyuuwwxxxx

На табелката с данни е изписан серийният номер **yyuu** е годината на производство, а **ww** – седмицата на производство.

Забележка: Останалите символи/стикери на продукта се отнасят до изисквания по отношение на сертификати за други търговски площи.

Емисии Euro V



ПРЕДУПРЕЖДЕНИЕ: Намесата в двигателя прави невалидно ЕС одобрението на тип на този продукт.

Обслужване на клиенти

За обслужване на клиенти, обадете се на:
1-800-487-5951 или посетете www.husqvarna.com.

Отговорност за продукта

Както е посочено в законите за отговорност за вреди, причинени от стоки, ние не носим отговорност за щети, причинени от нашия продукт, ако:

- продуктът е неправилно ремонтиран.
- продуктът е ремонтиран с части, които не са от производителя или не са одобрени от производителя.
- продуктът има принадлежност, която не е от производителя или не е одобрена от производителя.
- продуктът не е ремонтиран в одобрен сервизен център или от одобрен орган.

Безопасност

Дефиниции за безопасност

Предупреждения, знаци за внимание и бележки се използват за указване на особено важни части на инструкцията.



ПРЕДУПРЕЖДЕНИЕ: Използва се, ако има опасност от нараняване или смърт за оператора или за околните, ако не се спазват инструкциите в ръководството.



ВНИМАНИЕ: Използва се, ако има опасност от повреждане на машината, други материали или съседната зона, ако не се спазват инструкциите в ръководството.

Забележка: Използва се за предоставяне на повече информация, която е необходима в дадена ситуация.

Общи инструкции за безопасност



ПРЕДУПРЕЖДЕНИЕ: Прочетете следващите предупредителни указания, преди да използвате машината.

- Използвайте правилно продукта. Неправилната употреба може да доведе до нараняване или смърт. Използвайте продукта само за задачите, описани в настоящето ръководство. Не използвайте продукта за други задачи.
- Спазвайте инструкциите в тази инструкция за експлоатация. Спазвайте символите за безопасност и инструкциите за безопасност. Ако операторът не спазва инструкциите и символите, резултатът може да е нараняване, повреда или смърт.
- Не изхвърляйте това ръководство. Следвайте инструкциите за монтиране, използване и поддръжка на продукта в добро състояние. Следвайте инструкциите за правилен монтаж на приспособленията и принадлежностите.

Използвайте само одобрени приспособления и принадлежности.

- Не използвайте повреден продукт. Спазвайте графика за техническо обслужване. Извършвайте само дейностите по техническо обслужване, за които ще намерите инструкция в това ръководство. Всички други дейности по техническото обслужване трябва да бъдат извършени от одобрен сервизен център.
- Това ръководство не може да включва всички ситуации, които биха могли да възникнат при използване на продукта. Бъдете внимателни и действайте разумно. Не работете с продукта и не извършвайте техническо обслужване на същия, ако не сте наясно със ситуацията. За да получите информация, говорете с експерт по продукта, Вашия дистрибутор, сервиз или с одобрен сервизен център.
- Разкачете проводника на запалителната свещ преди сглобяване, складиране или техническо обслужване на продукта.
- Не използвайте продукта, ако е променен спрямо първоначалните му спецификации. Не сменяйте някоя част на продукта без одобрение от производителя. Използвайте само одобрени от производителя части. Неправилното техническо обслужване е възможно да доведе до нараняване или смърт.
- Не вдишвайте изпарения от двигателя. Продължителното вдишване на отработените газове от двигателя е опасно за здравето.
- Не стартирайте продукта на закрито или близо до запалими материали. Отработените газове са горещи и биха могли да съдържат искри, които да предизвикат пожар. Недостатъчният въздушен поток може да доведе до нараняване или смърт поради задушаване или въглероден окис.
- Когато използвате този продукт, двигателят създава електромагнитно поле. Електромагнитното поле може да предизвика повреда на медицински импланти. Говорете с Вашия лекар или с производителя на медицинския имплант, преди да започнете работа с продукта.
- Не позволявайте на деца да работят с продукта. Не позволявайте на лица, които не са запознати с инструкциите, да работят с продукта.

- Уверете се, че винаги наблюдавате лица с намален физически или умствен капацитет, които използват продукта. През цялото време трябва да присъства отговорен възрастен.
- Заклучете продукта в зона, до която нямат достъп деца и неодобриени лица.
- Възможно е от продукта да изхвърчат предмети и да причинят наранявания. Спазвайте инструкциите за безопасност, за да намалите опасността от нараняване или смърт.
- Не се отдалечавайте от продукта, когато двигателят работи.
- Операторът на продукта е отговорен при възникването на инцидент.
- Уверете се, че частите не са повредени, преди да използвате продукта.
- Уверете се, че сте на разстояние от най-малко 15 m (50 ft) от други лица или животни, преди да използвате продукта. Уверете се, че хората, които се намират близо до Вас, са наясно, че ще използвате продукта.
- Направете справка с националните или местните закони. Те биха могли да предотвратят или ограничат работата на продукта при определени условия.
- Не използвайте продукта, ако сте уморен(а) или сте под въздействието на алкохол, наркотици или лекарства. Те могат да окажат въздействие върху Вашето зрение, бдителност, координация или преценка.

Инструкции за безопасност при монтаж



ПРЕДУПРЕЖДЕНИЕ: Прочетете следващите предупредителни указания, преди да използвате продукта.

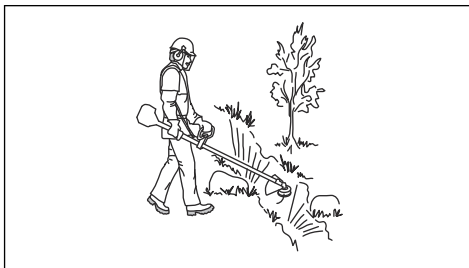
- Отстранете лулата на запалителната свещ от запалителната свещ, преди да сглобите продукта.
- Използвайте одобрени защитни ръкавици.
- Уверете се, че сте монтирали правилно капака и двусекционния вал, преди да стартирате двигателя.

Инструкции за безопасност по време на работа

- Уверете се, че продуктът е напълно сглобен, преди да го използвате.
- Преди стартиране преместете продукта на 3 m (10 ft) от позицията, където сте заредили резервоара за гориво. Поставете продукта върху плоска повърхност. Уверете се, че режещото оборудване не влиза в допир с почвата или с други предмети.
- Продуктът може да предизвика изхвърляне на предмети, което може да доведе до увреждане

на очите. Винаги използвайте одобрени защитни средства за очите, когато работите с продукта.

- Бъдете внимателни – без да знаете, някое дете може да се доближи до продукта, докато той работи.
- Не работете с продукта, ако има хора в работната зона. Спрете продукта, ако в работната зона влезе човек.
- Уверете се, че винаги имате контрол над продукта.
- Не използвайте продукта, ако не можете да получите помощ при възникването на инцидент. Винаги бъдете сигурни, че другите са наясно, че ще работите с продукта, преди да започнете работа с него.
- Не включвайте продукта, преди да се уверите, че хората и животните са в безопасната зона.
- Отстранете всички нежелани материали от работната зона, преди да започнете работа. Ако режещото оборудване се удари в предмет, той може да бъде изхвърлен и да доведе до нараняване или повреда. Нежеланите материали могат да се увият около режещото оборудване и да доведат до повреда.
- Не използвайте продукта при лошо време (мъгла, дъжд, силни ветрове, опасност от светкавици или други метеорологични условия). Опасни условия (като хлъзгави повърхности) могат да възникнат поради лошо време.
- Уверете се, че можете да се движите свободно и да работите в стабилна позиция.



- Уверете се, че няма да паднете, когато използвате продукта. Не се накланяйте при работа с продукта.
- Винаги дръжте продукта с двете си ръце. Дръжте продукта отдясно на тялото си.



- Работете с продукта с режещото оборудване под нивото на кръста.
- Ако смучащът е в положение "задействан смучащ", когато запалите двигателя, режещото оборудване започва да се върти.
- Не докосвайте ъгловата зъбна предавка след спиране на двигателя. Ъгловата зъбна предавка е гореща след спиране на двигателя. Горещите зони могат да причинят нараняване.
- Спрете двигателя, преди да местите продукта.
- Не оставяйте продукта на земята, когато двигателят работи.
- Преди отстраняване на нежелани материали от продукта спрете двигателя и изчакайте, докато режещото оборудване спре. Изчакайте режещото оборудване да спре, преди Вие или Ваш помощник да отстраните изрязания материал.

Лични предпазни средства



ПРЕДУПРЕЖДЕНИЕ: Прочетете следващите предупредителни указания, преди да използвате продукта.

- При работа с продукта винаги използвайте одобрени лични предпазни средства. Личните предпазни средства не изключват изцяло риска от нараняване, но намаляват степента на нараняването при злополука. Нека Вашият доставчик Ви помогне да изберете подходящото оборудване.
- Използвайте защитна каска, когато има риск от падащи предмети.
- Използвайте одобрени антифони, осигуряващи подходящо намаляване на шума. Дълготрайното излагане на шум може да доведе до постоянно влошаване на слуха.
- Използвайте одобрени защитни средства за очите. Ако използвате маска, използвайте също и одобрени защитни очила. Одобрените защитни очила трябва да отговарят на стандарт ANSI Z87.1 за САЩ или EN 166 за страните от ЕС.
- Използвайте визьор за защита на лицето. Визьорът не е достатъчен за предпазване на очите.



- Когато е необходимо, носете ръкавици, например, когато закрепвате, проверявате или почиствате режещото оборудване.
- Използвайте устойчиви и нехлъзгащи се ботуши.
- Използвайте дрехи, направени от здрава тъкан. Винаги използвайте здрави, дълги панталони и дълги ръкави. Не носете използвайте дрехи, които могат да се захванат за храсти и клони.

Не носете бижута, къси панталони, сандали и не работете боси. Носете косата си безопасно над нивото на рамената.



- Дръжте в близост комплект за първа помощ.



Приспособления за безопасност на машината

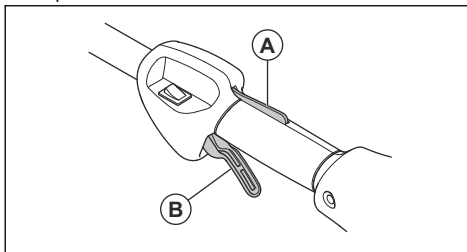


ПРЕДУПРЕЖДЕНИЕ: Прочетете следващите предупредителни указания, преди да използвате машината.

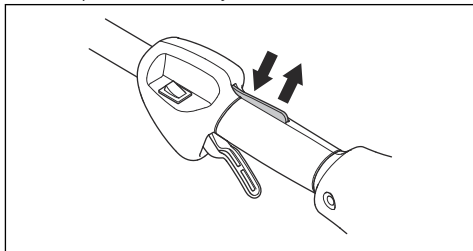
- Не използвайте машина с неизправни приспособления за безопасност.
- Проверявайте редовно приспособленията за безопасност. Вижте *График за техническо обслужване на страница 36*.
- Ако приспособленията за безопасност са дефектни, говорете с Вашия сервис на Husqvarna.

За проверка на блокировката на регулатора на газта

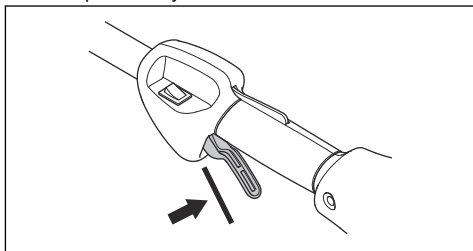
1. Уверете се, че блокировката на регулатора за газта (А) и регулатора за газта (В) се движат свободно и възвратната пружина функционира нормално.



2. Натиснете надолу блокировката на газта и се уверете, че се връща в първоначалната си позиция, когато я отпуснете.



3. Уверете се, че регулаторът на газта се фиксира в позиция на празен ход, когато се освободи блокировката му.



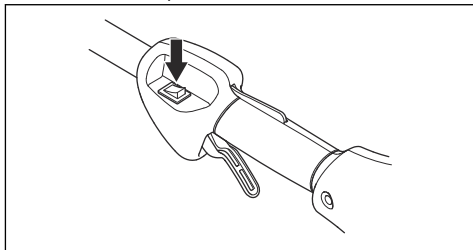
4. Стартирайте продукта и подайте пълна газ.
5. Отпуснете регулатора за газта и се уверете, че ножовете спират и остават неподвижни.



ПРЕДУПРЕЖДЕНИЕ: Ако резецът се движи когато регулаторът за газта е на обороти на празен ход тогава трябва да се регулира скоростта на карбуратора за празен ход. Вижте *Регулиране на оборотите на празния ход* на страница 36.

За проверка на превключвателя за спиране

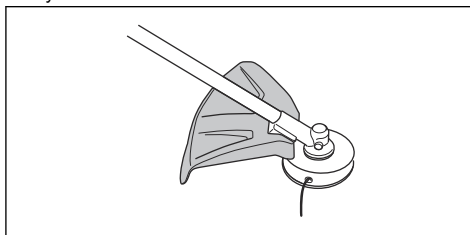
1. Стартирайте двигателя.
2. Преместете превключвателя за спиране на положение за спиране и се уверете, че двигателят спира.



За проверка на смазването на режещото оборудване

Предпазителят на режещото оборудване предотвратява изхвърляне на предмети по посока на оператора. Той също така предпазва от наранявания, които биха възникнали при докосване на режещото оборудване.

1. Спрете двигателя.
2. За извършване на визуална проверка например пукнатини.



3. Подменете предпазителя на режещото оборудване, ако бъде повреден.

Ауспух

- Не използвайте двигател с повреден ауспух. Повреденият ауспух повишава нивото на шума и риска от пожар. Съхранявайте наблизо пожарогасител.
- Редовно проверявайте дали ауспухът е закрепен към продукта.
- Не докосвайте двигателя или ауспуха, когато двигателят е включен. Не докосвайте двигателя или ауспуха за известно време след спиране на двигателя. Горещите повърхности могат да причинят нараняване.
- Горещият ауспух може да причини пожар. Бъдете внимателни, ако използвате продукта близо до запалителни течности или изпарения.
- Не докосвайте частите в ауспуха, ако е повреден. Частите могат да съдържат канцерогенни химикали.

Режещо оборудване



ПРЕДУПРЕЖДЕНИЕ: Прочетете следващите предупредителни указания, преди да използвате продукта.

- Извършвайте редовното техническо обслужване. Позволете на одобрен сервизен център да извършва редовна проверка на режещото оборудване за корекции или ремонтни дейности.
 - Производителността на режещото оборудване се повишава.
 - Срокът на експлоатация на режещото оборудване се повишава.
 - Рискът от злополука намалява.

- Използвайте само одобрен предпазител на режещо оборудване. Вижте *Принадлежности на страница 41*.
- Не използвайте повредено режещо оборудване.

Безопасност при работа с гориво



ПРЕДУПРЕЖДЕНИЕ: Прочетете следващите предупредителни указания, преди да използвате машината.

- Не смесвайте горивото на закрито или близо до източник на топлина.
- Не включвайте продукта, ако върху него има гориво или моторно масло. Отстранете нежеланото гориво/масло и оставете продукта да изсъхне. Отстранете нежеланото гориво от продукта.
- Ако разлеете гориво по дрехите си, сменете ги незабавно.
- Внимавайте да не попадне гориво върху тялото Ви, това може да доведе до телесни увреждания. Ако гориво попадне върху тялото Ви, използвайте сапун и вода, за да го отстраните.
- Не стартирайте двигателя, ако разлеете масло или гориво върху продукта или тялото си.
- Не стартирайте продукта, ако от двигателя има теч. Проверявайте редовно двигателя за течове.
- Внимавайте с горивото. Горивото е запалимо, изпаренията са взривоопасни и могат да причинят телесни увреждания или смърт.
- Не вдишвайте горивните изпарения, това може да доведе до телесни увреждания. Уверете се, че има достатъчен въздушен поток.
- Не пушете близо до горивото или двигателя.
- Не поставяйте топли предмети близо до горивото или двигателя.
- Не добавяйте гориво, когато двигателят работи.
- Уверете се, че двигателят е изстинал преди зареждане с гориво.
- Преди зареждане с гориво отворете бавно капачката на резервоара за гориво и освободете внимателно налягането.
- Уверете се, че има достатъчен въздушен поток, когато зареждате и смесвате гориво (бензин и масло за двутактов двигател) или когато източвате резервоара за гориво.
- Горивото и горивните пари са много лесно запалими и могат да причинят сериозно нараняване при вдишване или при контакт с кожата. Поради тази причина бъдете внимателни, когато боравите с гориво, и непременно проверявайте дали има достатъчен въздушен поток.
- Затегнете внимателно капачката на резервоара за гориво или може да възникне пожар.

- Преди да включите двигателя, преместете продукта на най-малко 3 m (10 ft) от мястото, където сте заредили резервоара.
- Не препълвайте резервоара за гориво.
- Уверете се, че няма течове, когато местите продукта или резервоара за гориво.
- Не поставяйте продукта или резервоара за гориво на място, където има открит огън, искри или постоянна малка горелка. Уверете се, че в зоната за съхранение няма открит огън.
- При преместване или съхранение на гориво използвайте само одобрени за целта контейнери.
- Изпразнете резервоара за гориво преди дългосрочно съхранение. Спазвайте местните закони за това къде да изхвърляте горивото.
- Почистете продукта преди дългосрочно съхранение.
- Отстранете лулата на запалителната свещ, преди да оставите продукта за съхранение, за да се уверите, че двигателят няма да се включи случайно.

Инструкции за безопасност при техническо обслужване



ПРЕДУПРЕЖДЕНИЕ: Прочетете следващите предупредителни указания, преди да използвате машината.

- Спрете двигателя и се уверете, че режещото оборудване спира и оставете продукта да се охлади, преди да извършите техническо обслужване.
- Разкачете лулата на запалителната свещ, преди да извършите техническо обслужване.
- Отработените газове от двигателя съдържат въглероден окис, много опасен, отровен газ без миризма, който може да причини смърт. Не работете с продукта на закрито или в затворени пространства.
- Отработените газове от двигателя са горещи и могат да съдържат искри. Не стартирайте продукта на закрито или близо до запалими материали.
- Аксесоари и промени на продукта, които не са одобрени от производителя, могат да доведат до сериозно нараняване или смърт. Не правете промени по продукта. Винаги използвайте оригинални принадлежности.
- Ако техническото обслужване не се изпълнява правилно и редовно, съществува повишена опасност от нараняване и повреда на продукта.
- Изпълнявайте техническото обслужване, както е посочено в настоящата инструкция за експлоатация. Цялото обслужване трябва да се извършва от одобрен сервиз на Husqvarna.
- Позволете одобрен Husqvarna сервиз редовно да обслужва продукта.

- Заменете повредени, износени или счупени части.
- Направете справка с инструкциите за режещото оборудване за правилна процедура при монтиране на шнура на ножицата и за правилен диаметър на шнура.

- Поддържайте режещите зъбци на острието правилно заточени. Спазвайте препоръките ни. Вижте и инструкциите върху опаковката на острието.

Монтаж

Въведение



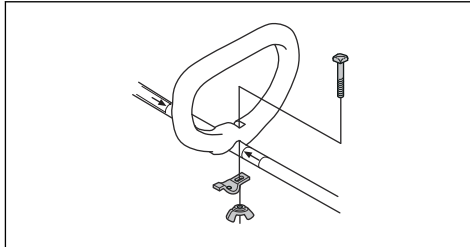
ПРЕДУПРЕЖДЕНИЕ: Преди сглобяване на продукта трябва да прочетете и разберете главата за безопасност.



ПРЕДУПРЕЖДЕНИЕ: Отстранете кабела на запалителната свещ от запалителната свещ, преди да сглобите продукта.

За закрепване на примковата ръкохватка

1. Закрепете примковата ръкохватка към двусекционния вал в съответствие с илюстрацията и затегнете.

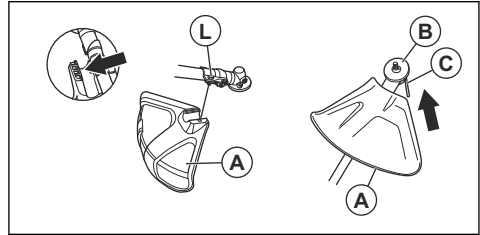


2. Уверете се, че примковата ръкохватка е закрепена между стрелките на вала.

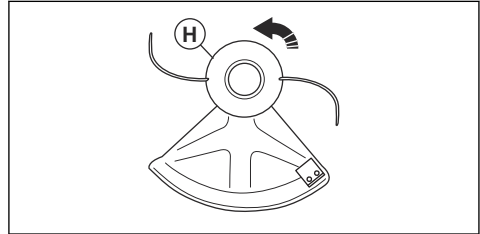
За да закрепите предпазителя на режещото оборудване и тримерната глава (прав вал)

1. Закрепете предпазителя на режещото оборудване (А) към двусекционния вал с помощта на болта (L).
2. Закрепете задвижващия диск (В) към изходния вал.
3. Завъртете изходния вал, докато отворът в задвижващия диск се изравни с отвора в корпуса на скоростната кутия.

4. Поставете малка отвертка (С) в отвора, за да блокирате двусекционния вал.

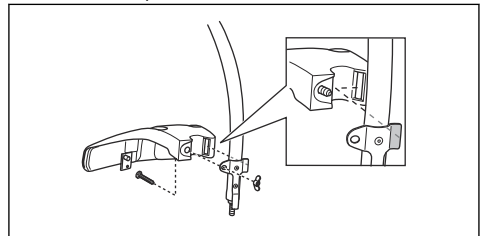


5. Завъртете тримерната глава (Н) обратно на часовниковата стрелка, за да затегнете тримерната глава към скоростната кутия. (Резби отляво.)

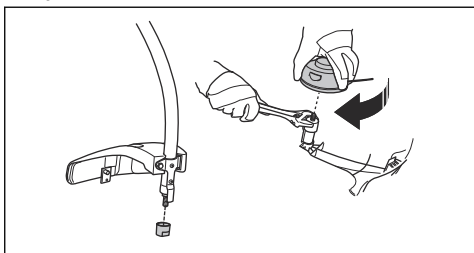


За да закрепите предпазителя на режещото оборудване и тримерната глава (извит вал)

1. Поставете предпазителя. Затегнете гайката.



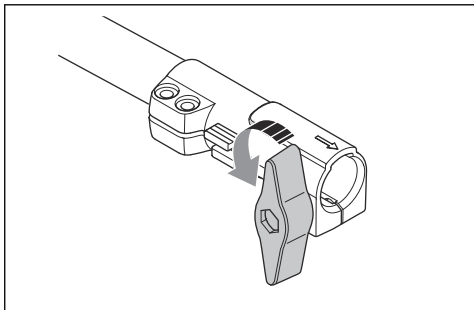
2. Поставете чашката за прах върху двусекционния вал.



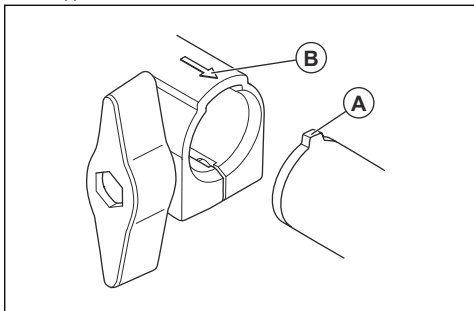
3. Задръжте прахоуловителната чашка с регулируем гаечен ключ, за да се уверите, че валът не се върти.
4. Закрепете тримерната глава към вала. Завъртете тримерната глава по часовниковата стрелка.

За монтиране на двусекционния вал

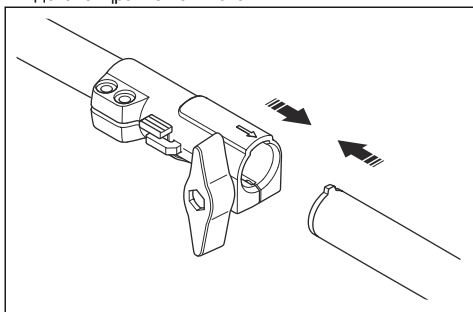
1. Завъртете фиксатора, за да разхлабите съединителя.



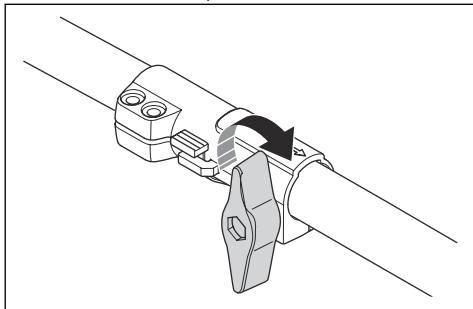
2. Подравнете палеца (A) със стрелката (B) на съединението.



3. Вкарвайте двусекционния вал в съединението, докато щракне на място.

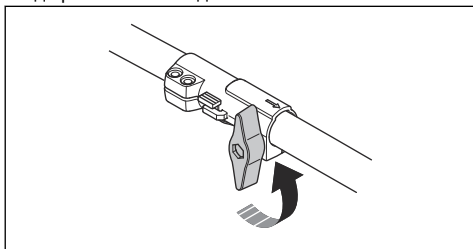


4. Затегнете напълно ръчката.



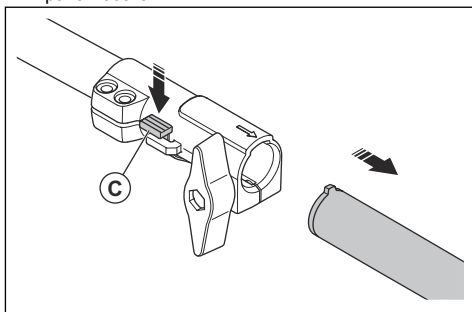
За разглобяване на двусекционния вал

1. Завъртете фиксатора 3 оборота или повече, за да разхлабите съединението.



2. Натиснете и задръжте бутона (C).
3. Дръжте здраво края на вала, към който е закрепен двигателят.

4. Издърпайте приставката от съединението в права посока.



Операция

Въведение



ПРЕДУПРЕЖДЕНИЕ: Преди работа с продукта трябва да прочетете и разберете главата за безопасност.

Гориво

Този продукт разполага с двутактов двигател.



ВНИМАНИЕ: Неподходящият тип гориво може да доведе до повреда на двигателя. Използвайте смес от бензин и масло за двутактови двигатели.

Предварително смесено гориво

- За постигане на оптимални работни характеристики и за удължаване на срока на експлоатация на двигателя използвайте предварително смесено алкилатно гориво на Husqvarna. Това гориво съдържа по-малко вредни химикали в сравнение с обикновеното гориво и това намалява вредните отработени газове. С това гориво количеството остатъци след изгарянето е по-ниско, което запазва компонентите на двигателя по-чисти.

За изготвяне на горивна смес

Бензин

- Използвайте качествен безоловен бензин с максимално съдържание на етанол 10%.



ВНИМАНИЕ: Не използвайте бензин с октаново число по-малко от 90 RON/87 AKI. Използването на по-ниско октаново число може да доведе до детонационно горене в двигателя, което предизвиква повреда в него.

Масло за двутактов двигател

- За постигане на най-добри резултати и работни характеристики използвайте масло за двутактови двигатели на Husqvarna.
- Ако не разполагате с масло за двутактови двигатели на Husqvarna, използвайте друго висококачествено масло за двутактови двигатели, разработено за двигатели с въздушно охлаждане. Говорете с дистрибутора по сервизното обслужване за избор на точното масло.



ВНИМАНИЕ: Не използвайте масло за извънбордови двутактови двигатели с водно охлаждане, понякога наричано извънбордово масло. Не използвайте масло за четиритактови двигатели.

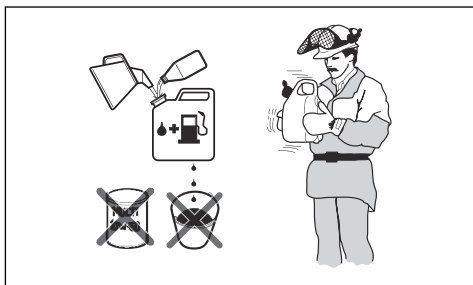
Смесване на бензин и масло за двутактов двигател

Бензин, литри	Масло за двутактов двигател, литри
	2% (50:1)
5	0,10
10	0,20
15	0,30
20	0,40



ВНИМАНИЕ: Малки грешки могат да повлияят драстично на съотношението в сместа, когато смесвате малки количества гориво. Измервайте внимателно количеството масло, за да

сте сигурни, че ще получите правилната смес.



1. Налейте половината гориво в чист съд за гориво.
2. Добавете цялото количество масло.
3. Разклатете горивната смес.
4. Долейте останалото количество бензин в съда.
5. Разклатете внимателно горивната смес.



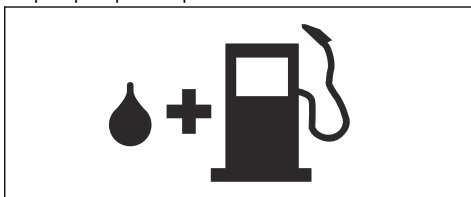
ВНИМАНИЕ: Не смесвайте количество гориво, което ще престои повече от 1 месец.

Пълнено на резервоара за гориво



ПРЕДУПРЕЖДЕНИЕ: Спазвайте следната процедура за Ваша безопасност.

1. Спрете двигателя и го оставете да се охлади.
2. Почистете областта около капачката на резервоара за гориво.



3. Разклатете контейнера и се уверете, че горивото е напълно смесено.
4. Отстранете бавно капачката на резервоара за гориво, за да освободите налягането.
5. Напълнете резервоара за гориво.



ВНИМАНИЕ: Уверете се, че в резервоара за гориво няма твърде много гориво. Когато се нагрее, горивото се разширява.

6. Затегнете капачката на резервоара за гориво внимателно.

7. Почистете разлятото гориво върху продукта и около него.
8. Преди стартиране на двигателя преместете продукта на 3 m/10 ft или повече от мястото, където се извършва зареждането с гориво и където се намира източникът на горивото.

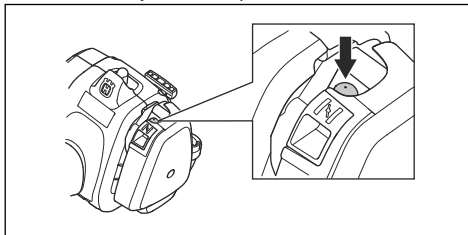
Забележка: За местоположението на резервоара за гориво на Вашия продукт направете справка с *Общ преглед на продукта на страница 22.*

Проверка преди старта

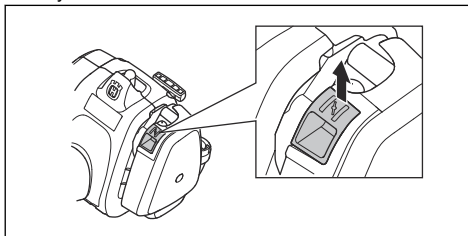
1. Уверете се, че продуктът няма липсващи, повредени, разхлабени или износени части.
2. Уверете се, че всички гайки, винтове и болтове са затегнати.
3. Уверете се, че тримерната глава не е повредена.
4. Уверете се, че въздушният филтър не е задръстен.
5. Уверете се, че приспособленията за безопасност на продукта не са дефектни.
6. Уверете се, че продуктът няма течове на гориво.

Стартиране при студен двигател

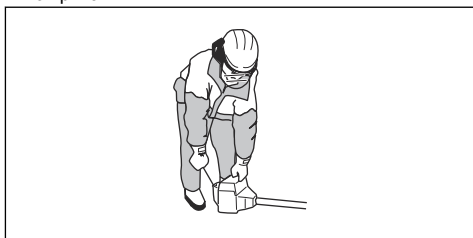
1. Натиснете купола на горивната помпа 10 пъти.



2. Установете смукача в положение "задействан смукач".



3. Дръжте корпуса на продукта на земята с лявата си ръка.



ВНИМАНИЕ: Не стъпвайте върху продукта.

4. Издърпайте бавно дръжката на въжето на стартера с дясната си ръка, докато усетите съпротивление. След това издърпайте бързо и силно ръкохватката на въжето на стартера, докато двигателят стартира или се опита да стартира.



ПРЕДУПРЕЖДЕНИЕ: Не навивайте стартерното въже около ръката си.

5. Установете смукача в положение за работа.
6. Ако двигателят стартира, натиснете леко регулатора за газта и оставете двигателя да работи 60 секунди, за да се затопли. Ако двигателят не стартира, дърпайте ръкохватката на въжето на стартера, докато двигателят стартира. След това натиснете леко регулатора за газта и оставете двигателя да работи 60 секунди, за да се затопли.



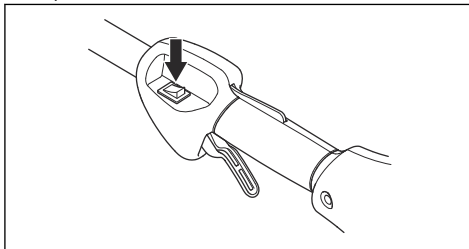
ВНИМАНИЕ: Не дърпайте докрай въжето на стартера и не пускайте дръжката на въжето на стартера. Това може да повреди продукта. Освободете бавно въжето на стартера.

За стартиране на топъл двигател

1. Натиснете купола на горивната помпа 10 пъти.
2. Издърпайте въжето за стартиране, докато двигателят запали.

Спиране на продукта

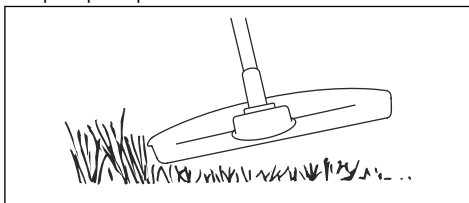
- Натиснете превключвателя за спиране, за да спрете двигателя.



Забележка: Превключвателят за спиране автоматично се връща в първоначалното положение.

Кастрене на трева

1. Дръжте тримерната глава непосредствено над земята под ъгъл. Не натискайте кордата на тримера в тревата.



2. Намалете дължината на кордата на тримера с 10 – 12 cm/4 – 4,75 in.
3. Намалете оборотите на двигателя, за да понижите опасността от увреждане на растенията.
4. Използвайте 80% газ, когато режете трева близо до обекти.



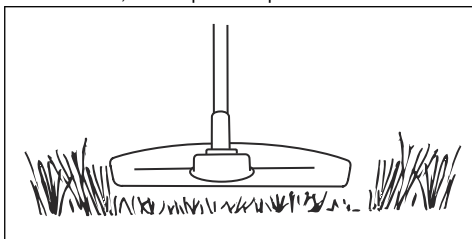
Почистване на трева с резец за косене

1. Ножовете и резците за косене не трябва да се използват за стъбла на дървета.
2. За всички видове висока или гъста трева се използва нож за косене.

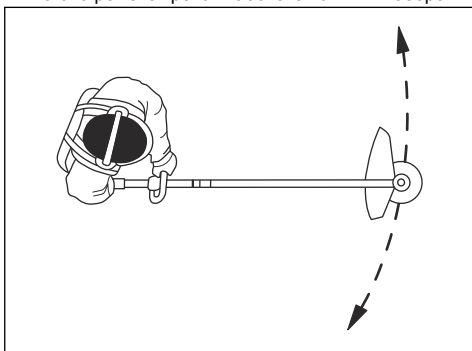
- Тревата се коси с махаловидно странично движение, като при движение от дясно наляво се коси, а движението от ляво надясно е обратен ход. За косене се използва лявата страна на ножа (от 8 до 12 часа).
- При наклон на ножа наляво, когато косите трева, тя се събира на една линия, което улеснява прибирането ѝ, например с гребло.
- Опитайте да работите ритмично. Застанете стабилно в лек разкряч. Придвижването напред се извършва след връщащото движение, като след това заставате отново стабилно.
- Опорната чашка се допира леко до земята. Тя служи за предпазване на ножа от удяне в земята.
- Намалете опасността от захващане на материал около резеца, като винаги работите с пълна газ и избягвате вече отрязания материал по време на обратния ход.
- Спрете двигателя, откачете самара и поставете машината на земята, преди да започнете да събирате отрязания материал.

Рязане на трева

- Уверете се, че кордата на тримера е успоредна на земята, когато режете тревата.



- Не натискайте тримерната глава към земята. Това може да повреди продукта.
- Движете продукта от едната към другата страна, когато режете трева. Работете на пълни обороти.



За почистване на трева

Въздушният поток от кордата на въртящия се тример може да се използва за отстраняване на отрязана трева от зоната.

- Хванете тримерната глава и кордата на тримера успоредно на земята и над земята.
- Приложете пълна газ.
- Движете тримерната глава от едната страна до другата и почиствайте тревата.



ПРЕДУПРЕЖДЕНИЕ:

Почиствайте капака на тримерната глава всеки път, когато монтирате нова корда на тримера, за да предотвратите нарушаване на баланса и вибрации в ръкохватките. Освен това извършете проверка на другите части на тримерната глава и я почиствайте, ако е необходимо.

Тримерна глава за трева

- Не забравяйте да навиете кордата на тримера за трева здраво и равномерно около барабана, за да намалите вибрациите.
- Използвайте само одобрени тримерни глави за трева и корди на тример за трева. Вижте *Принадлежности на страница 41*.
- Използвайте корда на тример за трева с правилна дължина. Дългата корда на тример за трева използва повече мощност на двигателя в сравнение с късата корда на тример за глава.
- Уверете се, че резецът на предпазителя на режещото оборудване не е повреден.
- Потопете кордата на тримера за трева във вода в продължение на 2 дни, преди да закрепите кордата на тримера за трева към продукта. Това повишава срока на експлоатация на кордата на тримера за трева.
- Направете справка с инструкциите за режещото оборудване, за да използвате правилната процедура за намотаване на кордата и правилния диаметър на кордата.

Поддръжка

Въведение



ПРЕДУПРЕЖДЕНИЕ: Преди да извършите техническо обслужване,

трябва да прочетете и разберете раздела за безопасност.

За всички работи по поддръжката и поправката на продукта е необходимо специално обучение. Осигуряваме предлагане на професионални ремонти и обслужване. Ако Вашият дилър не предлага сервизно обслужване, говорете с него, за да Ви даде информация за най-близкия сервиз.

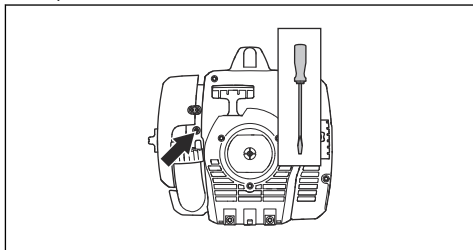
График за техническо обслужване

Поддръжка	Еже-дневно	Всяка седмица	Всеки месец
Почистете външната повърхност.	X		
Почистете въздушния филтър. Сменете ги при необходимост.	X		
Проверете функционирането на фиксатора на газта и газта.	X		
Проверете превключвателя за спиране.	X		
Проверете предпазителите.	X		
Проверете тримерната глава.	X		
Проверете контрагайката.	X		
Проверете за изтичане на гориво.	X		
Уверете се, че резецът за косене е изравнен с центъра, остър е и няма повреди по резеца или централния отвор.	X		
Уверете се, че режещото оборудване не се върти при обороти на празен ход.	X		
Нанесете грес върху двусекционния вал.		X	
Проверете дръжката на въжето за стартиране и въжето за стартиране.		X	
Проверете греста на ъгловата зъбна предавка.		X	
Почистете външната повърхност на запалителната свещ. Премахнете запалителната свещ и измерете разстоянието между електродите. Регулирайте разстоянието между електродите или сменете запалителната свещ.		X	
Почистете системата за охлаждане.		X	
Почистете или сменете искрогасителния екран на ауспуха.		X	
Почистете външната повърхност на карбуратора и мястото около него.		X	
Проверете горивния филтър за замърсяване.			X
Проверете маркуча за горивото за повреда.			X
Проверете всички кабели и връзки.			X
Проверете съединителя, пружините на съединителя и барабана на съединителя за износване.			X
Подменете запалителната свещ.			X

Регулиране на оборотите на празния ход

Уверете се, че въздушният филтър е чист и капакът на въздушния филтър е закрепен, преди да регулирате оборотите на празния ход.

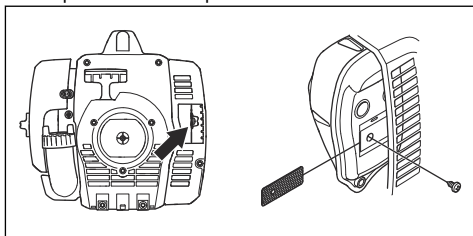
1. Завъртете винта за оборотите на празен ход Т, означен със знака "Т", по часовниковата стрелка, докато режещото оборудването започне да се върти.



2. Завъртете винта за оборотите на празен ход Т, означен със знака "Т", обратно на часовниковата стрелка, докато режещото оборудването спре да се върти.
3. Оборотите на празния ход трябва да бъдат под оборотите, при които режещото оборудване започва да се върти. Оборотите на празния ход са правилни, когато двигателят работи плавно във всяко положение.

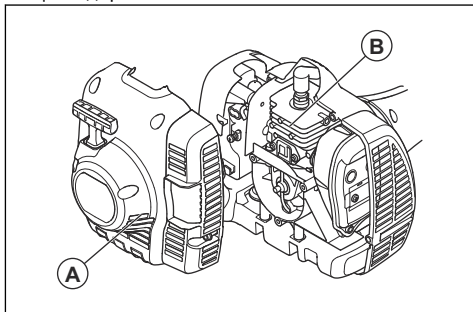
Техническо обслужване на искрогасителната мрежа

- Използвайте телена четка за почистване на искрогасителния екран.



За почистване на системата за охлаждане

- Почистете смукателния въздухпровод (А) на стартера и охладителните ребра (В) на цилиндъра с четка.

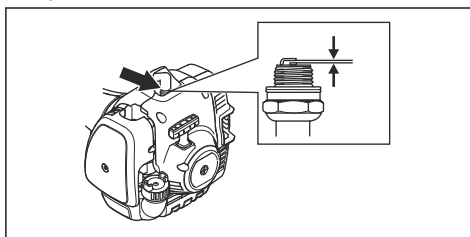


За проверка на запалителната свещ



ВНИМАНИЕ: Използвайте препоръчаната запалителна свещ. Уверете се, че резервната част е същата като предоставената от производителя. Използването на запалителна свещ от неправилен тип може да повреди продукта. Уверете се, че запалителната свещ е монтирана със супресор. Свържете се с дистрибутор по обслужването за повече информация.

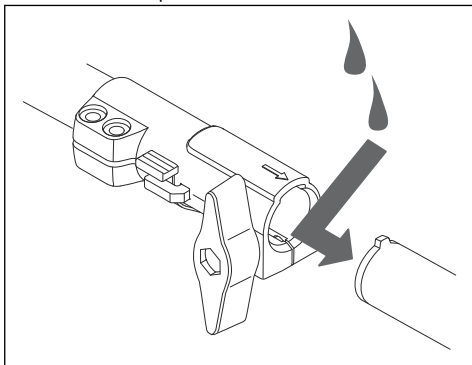
1. Проверете запалителната свещ, когато:
 - a) мощността на двигателя е ниска.
 - b) двигателят не може да запали лесно.
 - c) двигателят не работи правилно при обороти на празния ход.
2. Ако не можете лесно да запалите или да работите с двигателя, проверете запалителната свещ за нежелани материали. За да намалите опасността от нежелани материали върху електродите на запалителната свещ:
 - a) уверете се, че оборотите на празния ход са правилно регулирани.
 - b) уверете се, че горивната смес е правилна.
 - c) уверете се, че въздушният филтър е чист.
3. Почистете запалителната свещ, ако е замърсена. Уверете се, че разстоянието между електродите е правилно. Вижте *Технически данни на страница 40*.



4. Подменете запалителната свещ, когато е необходимо.

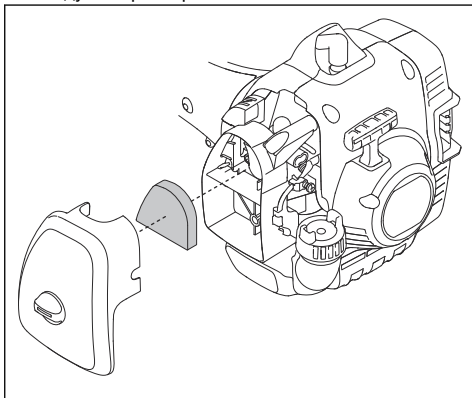
За да нанесете грес върху двусекционния вал

- Нанесете грес в края на задвижващата ос след всеки 30 часа работа.



Почистване на въздушния филтър

- Свалете капака на въздушния филтър и самия въздушен филтър.



- Почистете въздушния филтър с топла сапунена вода. Уверете се, че въздушният филтър е сух, преди да го монтирате.
- Сменете въздушния филтър, ако е прекалено замърсен за пълно почистване. Винаги заменяйте повреден въздушен филтър.
- Ако продуктът Ви разполага с пенест въздушен филтър, нанесете масло за въздушен филтър. Нанасяйте масло за въздушен филтър само върху пенест филтър. Не нанасяйте масло върху филтър Felt.

За нанасяне на масло за въздушен филтър върху въздушния филтър

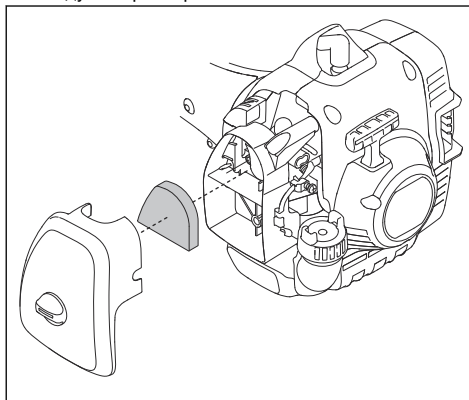


ВНИМАНИЕ: Винаги използвайте специално масло за въздушен филтър върху пенестите въздушни филтри. Не използвайте други типове масла.

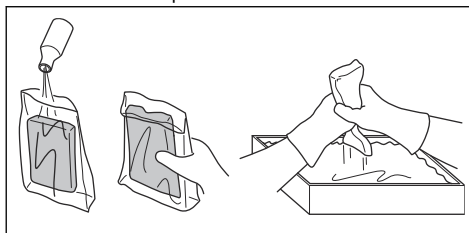


ПРЕДУПРЕЖДЕНИЕ: Не нанасяйте масло върху тялото си.

- Свалете капака на въздушния филтър и самия въздушен филтър.



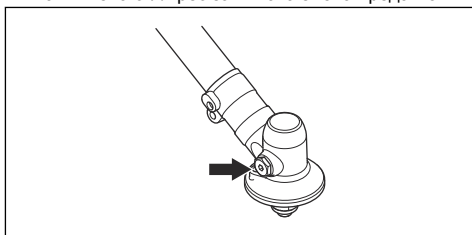
- Поставете въздушния филтър в найлонова торбичка.
- Поставете маслото на въздушния филтър в найлоновата торбичка.



- Натиснете найлоновата торбичка, за да се уверите, че маслото е нанесено равномерно върху въздушния филтър.
- Натиснете въздушния филтър, докато е в торбичката, за да отстраните маслото за въздушния филтър, което не е необходимо. Отстранете въздушния филтър от торбичката.
- Монтирайте въздушния филтър.

За да добавите грес към ъгловата зъбна предавка

- Уверете се, че ъгловата зъбна предавка е напълнена с $\frac{3}{4}$ грес за ъглова зъбна предавка.



Отстраняване на проблеми

Двигателят не се стартира

Проверете	Възможна причина	Процедура
Зъбци на стартера.	Зъбците на стартера не могат да се движат свободно.	Отстранете капака на стартера и почистете около зъбците на стартера.
		Позволете на одобрен сервизен дистрибутор да ви помогне.
Резервоар за гориво.	Неправилен тип гориво.	Източете резервоара за гориво и напълнете с правилното гориво.
Запалителна свещ.	Запалителната свещ е замърсена или влажна.	Уверете се, че запалителната свещ е суха и чиста.
	Разстоянието между електродите на запалителната свещ е неправилно.	Почистете запалителната свещ. Уверете се, че разстоянието между електродите е правилно. Уверете се, че към запалителната свещ има монтиран супресор.
		Направете справка с <i>Технически данни на страница 40</i> за точното разстояние между електродите.
	Запалителната свещ е разхлабена.	Затегнете запалителната свещ.

Двигателят стартира, но спира отново

Проверете	Възможна причина	Процедура
Резервоар за гориво	Неправилен тип гориво.	Изпразнете резервоара за гориво и напълнете с правилното гориво.
Въздушен филтър	Въздушният филтър е задръстен.	Почистете въздушния филтър.

Транспорт и съхранение

- Винаги оставяйте продукта да се охлади преди съхранение.
- При съхранението и транспортирането на продукта и горивото се уверете, че няма течове или изпарения. Искри или открит огън, например от електрически уреди или котли може да възникне пожар.
- Винаги използвайте одобрени контейнери за съхранение и транспортиране на гориво.
- Изпразнете горивото преди транспортиране или преди дългосрочно съхранение. Изхвърлете горивото на подходящо за целта място.
- Закрепете защитата при транспортиране по време на транспортиране и съхранение.
- Отстранете лулата на запалителната свещ от запалителната свещ.
- Закрепете продукта преди транспортиране. Уверете се, че не може да се движи.
- Почистете и извършете обслужване на продукта преди съхранение за дълъг период.

Технически данни

Технически характеристики

	122C	122LK
Двигател		
Обем на цилиндъра, cm ³	21,7	21,7
Обороти на празния ход, об/мин	2900	2900
Препоръчвани макс. обороти, об/мин	7200	9100
Скорост на изходния вал, об/мин	7200	6232
Мощност/макс. мощност на двигателя съгласно ISO 8893, kW/hp при об/мин	0,6/0,8 при 7800	0,6/0,8 при 7800
Заглушител на катализатора	Да	Да
Запалителна система с регулирана скорост	Не	Не
Запалителна система		
Запалителна свещ	HQT-4 672201	HQT-4 672201
Разстояние между електродите, mm	0,5	0,5
Горивна система		
Вместимост на резервоара за гориво, l/cm ³	0,3/300	0,3/300
Тегло		
Тегло без горивото, режещото оборудване и предпазителя, кг	4.4	4,8
Шумови емисии ⁴		
Ниво на звуковата мощност, измерено, dB(A)	102	104

⁴ Шумови емисии в околната среда, измерени като звукова мощност (L_{WA}) в съответствие с директива на ЕО 2000/14/ЕО. Отчетеното ниво на шум за продукта е измерено с оригиналното режещо оборудване, което създава най-високото ниво. Разликата между гарантираното и измереното ниво на шума е в това, че гарантираното ниво на шума включва също и дисперсията в резултата от измерването, както и вариациите между различните продукти от един и същи модел в съответствие с Директива 2000/14/ЕО.

	122C	122LK
Ниво на звуковата мощност, гарантирано (L_{WA}), dB(A)	104	108
Нива на шума ⁵		
Еквивалентно ниво на звуковото налягане върху ухото на оператора, измерено съгласно EN/ISO 11806 и ISO 22868, dB(A):	88	90
Нива на вибрациите ⁶		
Еквивалентно ниво на вибрациите ($a_{hv, eq}$), оборудване с тримерна глава, лява дръжка, m/s^2	5,0	3,6
Еквивалентно ниво на вибрациите ($a_{hv, eq}$), оборудване с тримерна глава, дясна дръжка, m/s^2	3,6	3,5

Принадлежности

Принадлежности

122C		
Одобрени принадлежности	Тип	Предпазител на режещо оборудване
Двусекционен вал с резба	3/8 R	–
Тримерна глава	T25 (Ø 2,0 – 2,4 mm шнур)	574 47 95-01
	T25C (Ø 2,0 – 2,7 mm шнур)	
	R25 (Ø 2,0 – 2,4 mm шнур)	
122LK		
Одобрени принадлежности	Тип	Предпазител на режещо оборудване
Двусекционен вал с резба	M10	–
Тримерна глава	T25 (Ø 2,0 – 2,4 mm шнур)	574 19 87-01
	R25 (Ø 2,0 – 2,4 mm шнур)	

Следните приставки се препоръчват за посочените модели.

Одобрени приставки	Тип	Използвайте с
Приставка четка за почистване	SR600-2	122LK
Приставка ножици за кастрене на жив плет	HA200	122LK

⁵ Отчетените данни за еквивалентното ниво на звуковото налягане за продукта имат типична статистическа дисперсия (стандартно отклонение) от 1 dB (A).

⁶ Отчетените данни за еквивалентното ниво на вибрациите имат типична статистическа дисперсия (стандартно отклонение) от 1 m/s^2 .

Одобрени приставки	Тип	Използвайте с
Приставка ножици за кастрене на жив плет	HA860	122LK
Приставка машина за обконтване	ECA850, ESA860	122LK
Приставка трион	PA1100	122LK
Приставка за удължаване	EX780	122LK
Приставка култиватор	CA230	122LK
Моторна метла	BA101	122LK
Приставка четка	BR600	122LK
Приставка вертикутир	DT600	122LK

Декларация за съответствие

Декларация за съответствие на ЕС

Ние, Husqvarna AB, SE-561 82 Huskvarna, Швеция,
тел.: +46-36-146500, декларираме на своя собствена
отговорност, че продуктът:

Описание	Бензинов тример за трева/резачка за храсти
Марка	Husqvarna
Тип/модел	122C, 122LK
Идентификация	Сериен номер, датиращ от 2022 и след това

отговаря напълно на следните директиви и
регламенти на ЕС:

Регламент	Описание
2006/42/EO	"относно машините"
2014/30/EC	"относно електромагнитната съвместимост"
2000/14/EO	"относно шума извън сградите"
2011/65/EC	"ограничение за използване на определени опасни вещества"

Приложени са следните стандарти:

EN ISO 12100:2010, EN ISO 11806-1:2011, ISO
14982:1998, CISPR 12:2007+A1:2009, EN IEC
63000:2018

RISE SMP Svensk Maskinprovning AB, Box 7035,
SE-750 07 Uppsala, Sweden., извърши доброволно
изпитване на типа от името на Husqvarna AB.

Сертификатите са издадени под номера: 122C -
SEC/10/2271, 122LK - SEC/10/2272

RISE SMP Svensk Maskinprovning AB, има и
потвърдено съответствие с приложение V от
директива на съвета 2000/14/EO.

Сертификатите са издадени под номера: 122C -
01/164/068, 122LK - 01/164/067.

Huskvarna 2022-05-13



Claes Losdal, Мениджър по развойна дейност,
Husqvarna AB

Отговорен за техническата документация



Sadržaj

Uvod.....	44	Rješavanje problema.....	59
Sigurnost.....	46	Transport i skladištenje.....	59
Sastavljanje.....	50	Tehnički podaci.....	60
Rukovanje.....	52	Pribor.....	61
Održavanje.....	55	Izjava o usaglašenosti.....	62

Uvod

Opis proizvoda

Proizvod je trimmer za travu sa SUS motorom.

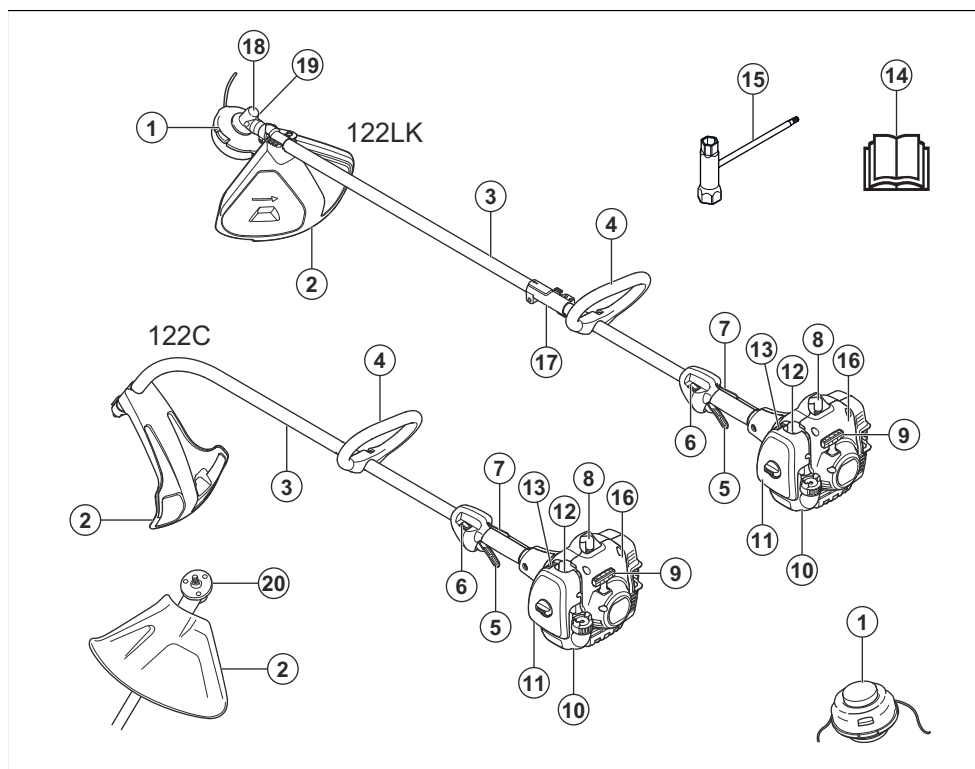
Konstantno se radi na povećanju vaše sigurnosti i efikasnosti za vrijeme rada. Više informacija potražite kod svog zastupnika servisa.

Namjena

Proizvod se koristi s glavom trimera za košenje trave. Nemojte koristiti proizvod za druge stvari osim za šišanje ili uklanjanje trave.

Napomena: Državni propisi mogu postaviti ograničenja za rukovanje proizvodom.

Pregled proizvoda



1. Glava trimera
2. Zaštitnik reznog dodatka
3. Vrat
4. Okrugla ručka
5. Poluga gasa
6. Prekidač za zaustavljanje
7. Blokada poluge gasa
8. Kapica svjeće i svjeća
9. Ručka konopa za paljenje
10. Rezervoar za gorivo
11. Poklopac filtera za zrak
12. Pumpica za istiskivanje zraka
13. Ručica za čok
14. Priručnik za rad
15. Kombinirani ključ
16. Kućište startera
17. Spojni dio osovine
18. Konusni pogon
19. Zatvarač za doziranje maziva, konusni pogon
20. Pogonska ploča

Simboli na proizvodu



UPOZORENJE! Ovaj proizvod je opasan. Ukoliko se proizvod ne koristi pažljivo i na pravilan način, može doći do povrede ili smrti rukovaoca ili osobe koja stoji u blizini. Da biste spriječili povrede rukovaoca ili osoba koje stoje u blizini, pročitajte i poštujte sva uputstva o sigurnosti koja su data u priručniku za rad.



Prije upotrebe pažljivo pročitajte priručnik za rad rukovaoca i vodite računa da vam upute budu jasne.



Koristite zaštitnu kacigu na mjestima na kojim predmeti mogu pasti na vas. Koristite odobrenu zaštitu sluha. Koristite odobrenu zaštitu za oči.



Maksimalna brzina izlaznog vratila.



Proizvod je usklađen s važećim direktivama EZ.



Proizvod može uzrokovati izbacivanje predmeta, što može izazvati povrede.



Za vrijeme rukovanja proizvodom, budite udaljeni od osoba i životinja najmanje 15 m.



Koristite odobrene zaštitne rukavice.



Koristite robusne protuklizne čizme.



Koristite isključivo fleksibilnu žicu za rezanje. Nemojte koristiti metalne rezne dodatke.



Emisija buke u okruženju u skladu s odredbama i propisima EU i UK i propisom Novog Južnog Velsa za zaštitu od radova u okruženju (kontrola buke) iz 2017. Garantirani nivo snage zvuka proizvoda je naveden u *Tehnički podaci na strani 60* i na oznaci.



Kuglica pumpice za istiskivanje zraka.



Čok.



Proizvod je u skladu s važećim propisima UK-a.

yyyywwxxx

Na pločici s oznakom kategorije je prikazan serijski broj. **yyyy** označava godinu proizvodnje, a **ww** označava sedmicu proizvodnje.

Napomena: Drugi simboli/naljepnice na proizvodu odnose se na zahtjeve certifikacije za druga komercijalna područja.

Emisije Euro V



UPOZORENJE: Neovlaštenim otvaranjem proizvoda poništava se EU odobrenje tipa ovog proizvoda.

Korisnička podrška

Za korisničku podršku nazovite: 1-800-487-5951 ili posjetite www.husqvarna.com.

Odgovornost za proizvod

Kao što je navedeno u zakonima o odgovornosti za proizvod, mi nismo odgovorni za oštećenja koja uzrokuje naš proizvod ako:

- je proizvod pogrešno popravljen.
- je proizvod popravljen koristeći dijelove koji nisu od proizvođača ili koji nisu odobreni od strane proizvođača.
- proizvod ima dodatnu opremu koju nije napravio proizvođač ili koju proizvođač ne odobrava.
- proizvod nije popravljen u nekom od odobrenih servisa ili od strane odobrenog tjelara.

Sigurnost

Definicije sigurnosti

Upozorenja, pozivi na oprez i napomene se koriste za isticanje naročito važnih dijelova priručnika.



UPOZORENJE: Koriste se ukoliko postoji opasnost od povrede ili smrti rukovaoca ili osoba u blizini ako se uputstva iz priručnika ne poštuju.



OPREZ: Koriste se ukoliko postoji opasnost od oštećenja proizvoda, drugih materijala ili neposrednog okruženja ako se uputstva iz priručnika ne poštuju.

Napomena: Koriste se za pružanje više informacija koje su neophodne u datoj situaciji.

Opće sigurnosne upute



UPOZORENJE: Prije upotrebe proizvoda pročitajte upozorenja u nastavku.

- Koristite proizvod na pravilan način. Povreda ili smrt je moguć ishod nepravilnog korištenja. Proizvod koristite samo za poslove koji su navedeni u ovom priručniku. Nemojte koristiti proizvod za druge poslove.
- Poštujte uputstva iz ovog priručnika. Poštujte sigurnosne simbole i sigurnosna uputstva. Ako operater ne poštuje uputstva i simbole, povreda, oštećenje ili smrt su mogući ishodi.
- Nemojte bacati ovaj priručnik. Koristite uputstva da sastavite, rukujete i održavate svoj proizvod u dobrom stanju. Koristite uputstva da biste pravilno ugradili priključke i dodatke. Koristite samo odobrene priključke i dodatke.
- Nemojte koristiti oštećen proizvod. Poštujte raspored održavanja. Obavljajte samo one radove na održavanju za koje pronađete uputstva u ovom priručniku. Sve druge radove na održavanju mora obavljati ovlašten servisni centar.
- Ovaj priručnik ne može uključivati sve situacije koje se mogu desiti kada koristite proizvod. Budite

oprezni i koristite svoj zdrav razum. Nemojte rukovati proizvodom ili obavljati radove na održavanju proizvoda ako niste upoznati sa stanjem. Za informacije se obratite stručnjaku za proizvod, svom trgovcu, servisnom zastupniku ili ovlaštenom servisnom centru.

- Isključite kabl svjeće prije nego što sastavite proizvod, odložite proizvod na skladište ili prije radova na održavanju.
- Nemojte koristiti proizvod ako je promijenjen od svoje inicijalne specifikacije. Nemojte mijenjati dio proizvoda bez odobrenja od proizvođača. Koristite samo dijelove koje je odobrio proizvođač. Povreda ili smrt je moguć ishod nepravilnog održavanja.
- Nemojte udisati pare iz motora. Dugotrajno udisanje ispušnih para motora opasno je po zdravlje.
- Nemojte pokretati proizvod u zatvorenom prostoru ili u blizini zapaljivih materijala. Izduvne pare su vruće i mogu sadržavati iskre koje mogu izazvati požar. Nedovoljan protok zraka može izazvati povredu ili smrt zbog nedostatka kisika ili ugljičnog monoksida.
- Kada koristite ovaj proizvod, motor stvara elektromagnetno polje. Elektromagnetno polje može izazvati oštećenje na medicinskim implantatima. Porazgovarajte s ljekarom i proizvođačem medicinskog implantata prije rada s proizvodom.
- Nemojte dopustiti da dijete rukuje proizvodom. Nemojte dopustiti osobi bez znanja o uputstvima da rukuje proizvodom.
- Uvjerite se da uvijek nadgledate osobu, sa smanjenim fizičkim kapacitetom ili mentalnim sposobnostima, koja koristi proizvod. Odgovorna osoba mora biti prisutna cijelo vrijeme.
- Zaključajte proizvod u području koje nije pristupačno djeci i neovlaštenim osobama.
- Proizvod može izbaciti predmete i izazvati povrede. Poštujte sigurnosna uputstva da biste smanjili opasnost od povrede ili smrti.
- Nemojte napuštati proizvod dok je motor uključen.
- Rukovalac proizvodom je odgovoran ako dođe do nezgode.
- Prije korištenja proizvoda, uvjerite se da dijelovi nisu oštećeni.
- Vodite računa da ste udaljeni najmanje 15 m (50 stopa) od drugih osoba ili životinja prije korištenja proizvoda. Vodite računa da osobe koja su u blizini budu upoznate da ćete koristiti proizvod.

- Pogledajte državne ili lokalne zakone. Oni mogu spriječiti ili smanjiti rad proizvoda u nekim uslovima.
- Nemojte koristiti proizvod kada ste umorni ili pod dejstvom alkohola, droga ili lijekova. Oni mogu uticati na vaš vid, opreznost, koordinaciju i rasuđivanje.

Sigurnosna uputstva za sklapanje



UPOZORENJE: Prije upotrebe proizvoda pročitajte upozorenja u nastavku.

- Prije sklapanja proizvoda sa svječice uklonite kapicu svječice.
- Koristite odobrene zaštitne rukavice.
- Vodite računa da prije pokretanja motora ispravno spojite poklopac i vratilo.

Sigurnosna uputstva za rad

- Uvjerite se da je proizvod u potpunosti sastavljen prije korištenja istog.
- Prije početka, pomjerite proizvod na udaljenost od 3 m (10 stopa) od položaja gdje puniti gorivo. Postavite proizvod na ravnu površinu. Uvjerite se da rezni dodatak ne dodiruje tlo ili druge predmete.
- Proizvod može uzrokovati izbacivanje predmeta, što može izazvati povrede očiju. Uvijek koristite odobrenu zaštitu za oči kada rukujete proizvodom.
- Budite oprezni, dijete može doći u blizinu proizvoda bez vašeg znanja tokom rada.
- Nemojte rukovati proizvodom ako se u radnom području nalaze osobe. Zaustavite proizvod ako osoba uđe u radno područje.
- Uvjerite se da uvijek imate kontrolu nad proizvodom.
- Nemojte koristiti proizvod ako ne možete primiti pomoć u slučaju da se dogodi nezgoda. Uvijek osigurajte da drugi znaju da ćete rukovati proizvodom prije nego što podete raditi s proizvodom.
- Nemojte se okretati s proizvodom prije nego što se uvjerite da nema osoba ili životinja u sigurnosnom području.
- Uklonite sve neželjene materijale iz radnog područja prije nego počnete s radom. Ako rezni dodatak udari u neki predmet, taj predmet se može izbaciti iz proizvoda i izazvati povredu ili oštećenje. Neželjeni materijal se može okretati oko reznog dodatka i izazvati oštećenje.
- Nemojte koristiti proizvod pod lošim vremenskim uslovima (magla, kiša, jak vjetar, opasnosti od groma ili drugi vremenski uslovi) Opasni uslovi (kao što je klizava površina) se mogu pojaviti uslijed lošeg vremena.

- Proverite možete li se slobodno kretati u stabilnom položaju.



- Uvjerite se da ne možete pasti kada koristiti proizvod. Nemojte se naginjati kada rukujete proizvodom.
- Uvijek držite proizvod s dvije ruke. Proizvod držite s desne strane svog tijela.



- Rukujte proizvodom s reznim dodatkom ispod vašeg struka.
- Ako je ručica za čok u položaju za gušenje kada se motor pokrene, rezni dodatak se počinje okretati.
- Nemojte dodirivati konusni pogon kada se motor zaustavi. Konusni pogon je vruć nakon što se motor zaustavi. Vruća područja mogu izazvati povredu.
- Zaustavite motor prije nego što pomjerite proizvod.
- Nemojte spuštati proizvod s uključenim motorom.
- Prije nego što uklonite neželjene materijale sa proizvoda, zaustavite motor i sačekajte da se rezni dodatak zaustavi. Pričekajte da se rezni dodatak zaustavi prije nego što uklonite odrezani materijal.

Oprema za ličnu zaštitu



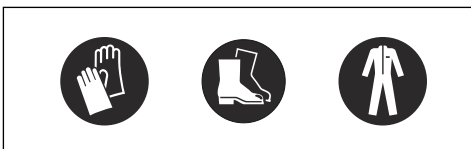
UPOZORENJE: Prije upotrebe proizvoda pročitajte upozorenja u nastavku.

- Uvijek koristite odobrenu opremu za ličnu zaštitu kada rukujete proizvodom. Lična zaštitna oprema ne može u potpunosti spriječiti povrede, ali smanjuje stepen povreda u slučaju nesreće. Neka vam zastupnik pomogne pri izboru odgovarajuće opreme.
- Koristite zaštitnu kacigu ukoliko postoji rizik od pada predmeta

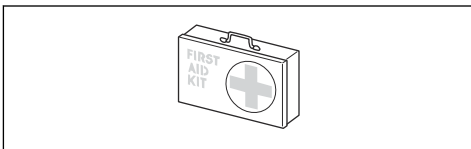
- Koristite odobrenu zaštitu za sluh koja pruža odgovarajuće smanjenje buke. Dugotrajno izlaganje buci može izazvati trajno oštećenje sluha.
- Koristite odobrenu zaštitu za oči. Ako koristite vizir, morate koristiti i odobrene zaštitne naočale. Odabrane zaštitne naočale moraju ispunjavati standard ANSI Z87.1 u SAD-u ili EN 166 u zemljama EU.
- Koristite vizir za zaštitu lica. Vizir nije dovoljan za zaštitu očiju.



- Koristite rukavice kada je to neophodno, naprimjer prilikom spajanja, pregledanja ili čišćenja opreme za rezanje.
- Koristite čvrste čizme koje se ne klizu.
- Nosite odjeću od čvrstih materijala. Uvijek nosite debele, duge hlače i duge rukave. Nemojte nositi odjeću koja se može zakačiti za grančice i grane. Nemojte koristiti nakit, kratke hlače, sandale ili biti bosonogi. Podignite kosu na sigurno područje iznad ramena.



- Držite komplet za prvu pomoć pri ruci.



Sigurnosna sredstva na proizvodu

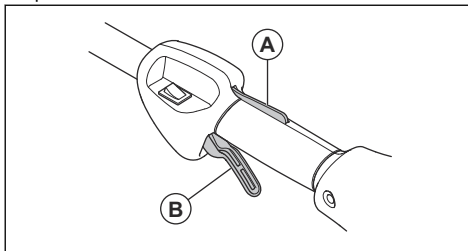


UPOZORENJE: Prije upotrebe proizvoda pročitajte upozorenja u nastavku.

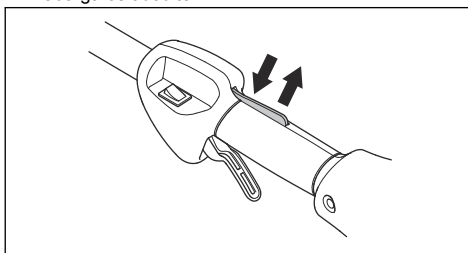
- Nemojte koristiti proizvod s neispravnim sigurnosnim sredstvima.
- Redovno provjeravajte sigurnosna sredstva. Pogledajte *Plan održavanja na strani 56*.
- Ukoliko sigurnosno sredstvo nije ispravno, obratite se svom Husqvarna zastupniku servisa.

Provjera blokade poluge gasa

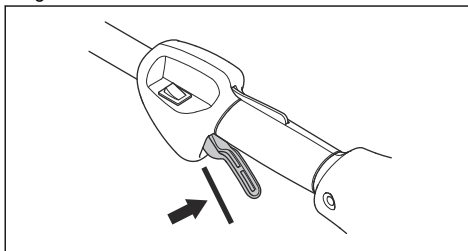
1. Provjerite pomjeraju li se nesmetano blokada poluge gasa (A) i poluga gasa te radi li povratna opruga pravilno.



2. Pritisnite prema dolje za isključivanje prekidača i uvjerite se da se on vraća u svoj početni položaj kada ga oslobodite.



3. Vodite računa da poluga gasa bude blokirana u praznom hodu i kada je otpuštena blokada poluge gasa.



4. Pokrenite proizvod i primijenite puni gas.
5. Pustite polugu gasa i uvjerite se da se noževi zaustavljaju i ostaju u mirovanju.

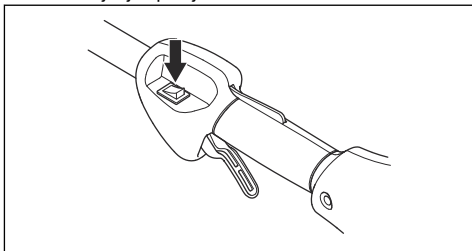


UPOZORENJE: Ako se noževi kreću dok je poluga gasa u praznom hodu, potrebno je podesiti brzinu praznog hoda karburatora. Pogledajte *Da biste podesili brzinu u praznom hodu na strani 56*.

Provjera prekidača za zaustavljanje

1. Pokrenite motor.

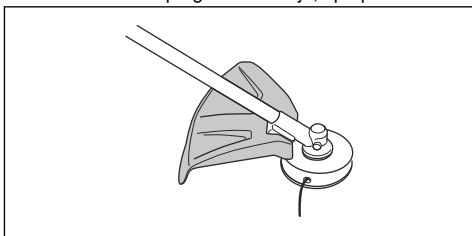
2. Pomjerite prekidač za zaustavljanje u položaj za zaustavljanje i provjerite da li se motor zaustavi.



Provjera štitnika reznog dodatka

Štitnik reznog dodatka sprečava izbacivanje predmeta u smjeru rukovaoca. Također sprječava povrede do prilikom kontakta s reznim dodatkom.

1. Zaustavite motor.
2. Izvršite vizuelni pregled oštećenja, npr. pukotina.



3. Ukoliko je štitičnik reznog dodatka oštećen, zamijenite ga.

Auspuh

- Nemojte koristiti motor s oštećenim auspuhom. Oštećeni auspuh povećava nivo buke i opasnost od požara. Držite aparat za gašenje požara u blizini.
- Redovno provjeravajte je li auspuh pričvršćen za proizvod.
- Nemojte dodirivati motor ili auspuh kada je motor uključen. Nemojte dodirivati motor ili auspuh tokom nekog vremena nakon što se motor zaustavi. Vruće površine mogu izazvati povredu.
- Vrući auspuh može izazvati požar. Budite oprezni, ako koristite proizvod u blizini zapaljivih tečnosti ili para.
- Nemojte dodirivati dijelove na auspuhu, ako je auspuh oštećen. Dijelovi mogu sadržavati neke kancerogene hemikalije.

Rezni dodatak



UPOZORENJE: Prije upotrebe proizvoda pročitajte upozorenja u nastavku.

- Obavljajte redovno održavanje. Dopustite ovlaštenom servisnom centru da redovno ispituju

rezni dodatak kako bi obavili prilagođavanja ili popravke.

- Performanse reznog dodatka se time povećavaju.
- Životni vijek reznog dodatka se time povećava.
- Opasnost od nezgoda se smanjuje.
- Koristite samo odobreni zaštitnik reznog dodatka. Pogledajte *Pribor na strani 61*.
- Nemojte koristiti oštećen rezni dodatak.

Sigurnosne mjere pri rukovanju gorivom



UPOZORENJE: Prije upotrebe proizvoda pročitajte upozorenja u nastavku.

- Nemojte miješati gorivo u zatvorenoj prostoriji ili u blizini izvora toplote.
- Nemojte pokretati proizvod ako u proizvodu ima goriva ili motornog ulja na proizvodu. Odstranite neželjeno gorivo/ulje i dopustite da se proizvod osuši. Odstranite neželjeno gorivo s proizvoda.
- Ako prolijete gorivo po odjeći, odmah presvucite odjeću.
- Nemojte dopustiti da gorivo dospje na tijelo, to može izazvati povredu. Ako gorivo dospje na odjeću, koristite sapun i vodu da odstranite gorivo.
- Nemojte pokretati motor ako prolijete ulje ili gorivo po proizvodu ili po svom tijelu.
- Nemojte pokretati proizvod ako se na motoru javlja curenje. Redovno provjeravajte motor na curenje.
- Budite oprezni s gorivom. Gorivo je zapaljivo i pare su eksplozivne i mogu izazvati povrede ili smrt.
- Nemojte udisati pare od goriva, to može izazvati povredu. Pobrinite se da ima dovoljno protoka zraka.
- Nemojte pušiti u blizini goriva ili motora.
- Nemojte stavljati tople predmete u blizini goriva ili motora.
- Nemojte dodavati gorivo kada je motor uključen.
- Uvjerite se da je motor hladan prije nego dopunite gorivo.
- Prije dopunjavanja gorivom, otvorite poklopac rezervoara za gorivo i pažljivo oslobodite pritisak.
- Pazite da ima dovoljno protoka zraka prilikom dosipanja goriva i miješanja goriva (benzina i ulja za dvotaktno motore) ili pražnjenja rezervoara za gorivo.
- Gorivo i isparenja goriva su veoma zapaljiva i mogu izazvati teške povrede u slučaju udisanja ili stapanja u kontakt s kožom. Zbog toga je potrebno pridržavati se mjera opreza prilikom rukovanja gorivom i osigurati dovoljan protok zraka.
- Pažljivo pričvrstite poklopac spremnika za gorivo ili bi moglo doći do požara.
- Pomjerite proizvod minimalno 3 m (10 stopa) od položaja gdje ste punili spremnik za gorivo prije pokretanja proizvoda.

- Nemojte stavljati previše goriva u spremnik za gorivo.
- Uvjerite se da ne može doći do curenja kada pomjerite proizvod ili spremnik za gorivo.
- Nemojte stavljati proizvod ili spremnik za gorivo gdje postoji otvoreni plamen, iskra ili plinski plamen. Uvjerite se da područje za skladištenje ne sadrži otvoreni plamen.
- Koristite samo odobrene spremnika kada pomjerate gorivo ili stavljate gorivo u skladište.
- Ispraznite spremnik za gorivo prije dugotrajnog skladištenja. Poštujte lokalni zakon o tome gdje odlagati gorivo.
- Očistite proizvod prije dugotrajnog skladištenja.
- Skinite kapicu svjeće prije nego što stavite proizvod u skladište kako biste bili sigurni da se motor neće pokrenuti slučajno.
- Izduvni gasovi iz motora sadrže karbon monoksid, veoma otrovan i opasan gas bez mirisa koji može uzrokovati smrt. Ne pokrećite proizvod u zatvorenom prostoru ili zatvorenim prostorijama.
- Izduvni gasovi motora su vrel i mogu emitirati iskre. Nemojte pokretati proizvod u zatvorenom prostoru ili u blizini zapaljivih materijala.
- Pribor i promjene na proizvodu koje nije odobrio proizvođač mogu uzrokovati teške povrede ili smrt. Nemojte vršiti izmjene na proizvodu. Uvijek koristite originalni pribor.
- Ukoliko se održavanje ne vrši ispravno i redovno, postoji povećan rizik od povreda i oštećenja proizvoda.
- Održavanje obavljajte samo prema preporukama datim u ovom priručniku za rukovoace. Pustite da ovlašteni predstavnik Husqvarna servisa obavi sve ostale servisne radnje.
- Pustite da odobreni predstavnik Husqvarna servisa redovno servisira proizvod.
- Zamijenite oštećene, istrošene ili polomljene dijelove.
- Za pravilno postavljanje flaksa trimera i odgovarajućeg prečnika pročitajte upute za rezni dodatak.
- Zupce noža održavajte ispravno naoštrenim. Poštujte naše preporuke. Također pogledajte upute na pakovanju noževa.

Sigurnosne upute za održavanje



UPOZORENJE: Prije upotrebe proizvoda pročitajte upozorenja u nastavku.

- Zaustavite motor, pričekajte da se zaustavi rezni dodatak i ostavite proizvod da se ohladi prije održavanja.
- Prije održavanja uklonite kapicu svjeće.

Sastavljanje

Uvod



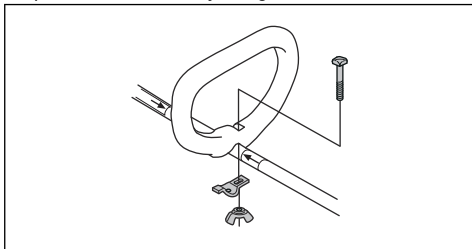
UPOZORENJE: Prije sklapanja proizvoda, morate s razumijevanjem pročitati poglavlje o sigurnosti.



UPOZORENJE: Prije sklapanja proizvoda sa svjeće uklonite kabl svjeće.

Da biste pričvrstili okruglu ručku

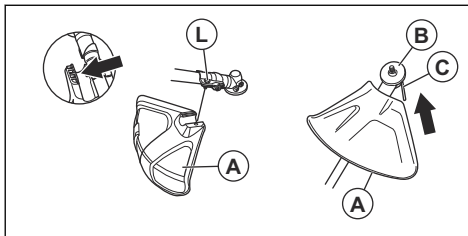
1. Pričvrstite okruglu ručku na osovinu kako je prikazano na ilustraciji i stegnite.



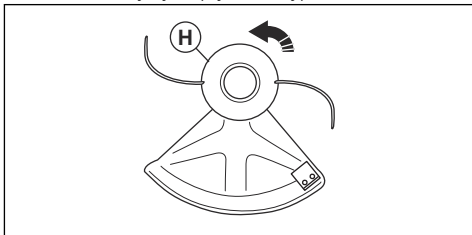
2. Uvjerite se da okrugla ručka bude pričvršćena između strelica na osovini.

Da biste pričvrstili zaštitnik reznog dodatka i glavu trimera (ravna osovinu.)

1. Pričvrstite zaštitnik reznog dodatka (A) na osovinu pomoću vijka (L).
2. Postavite pogonski disk (B) na izlaznu osovinu.
3. Okrećite izlaznu osovinu sve dok se rupa na pogonskom disku ne izravna s odgovarajućom rupom na kućištu opreme.
4. Stavite mali odvijач (C) u rupicu da zaključate osovinu.

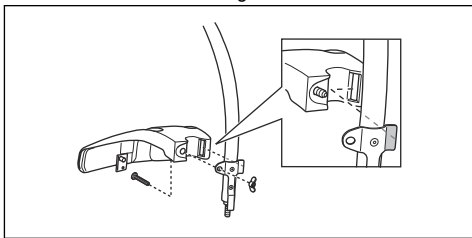


- Okrenite glavu trimera (H) u smjeru suprotnom od smjera kazaljke na satu da biste pritegnuli glavu trimera na mjenjač. (Lijevi navoji)

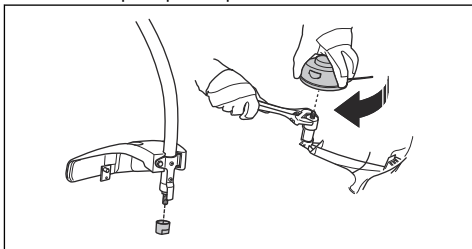


Da biste pričvrstili zaštitnik reznog dodatka i glavu trimera (zakrivljena osovina.)

- Pričvrstite zaštitnik. Pritegnite navrtku.



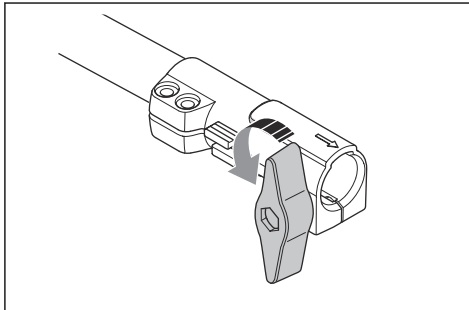
- Pričvrstite poklopac za prašinu na osovini.



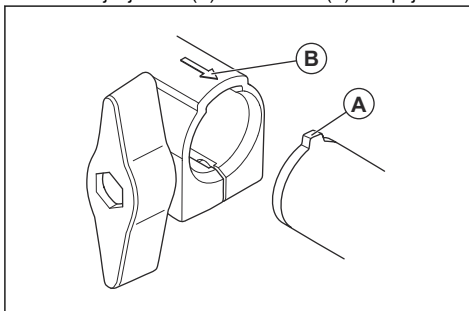
- Držite poklopac za prašinu pomoću podesivog ključa kako biste se uvjerali da se osovina ne okreće.
- Pričvrstite glavu trimera na osovinu. Okrenite glavu trimera u smjeru kretanja kazaljke na satu.

Sastavljanje dvodijelne osovine.

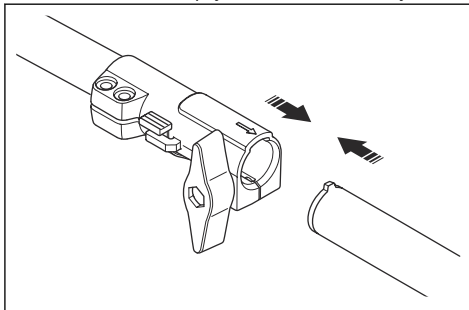
- Okrenite dugme da olabavite spojku.



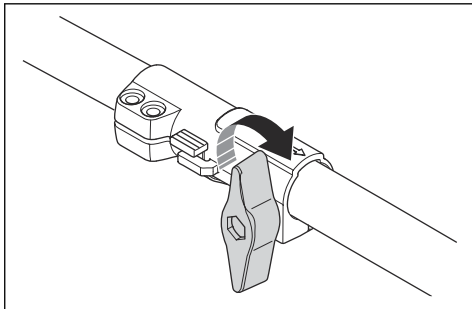
- Poravnajte jezičac (A) sa strelicom (B) na spojki.



- Gurnite osovinu u spojku dok ne klikne na mjesto.

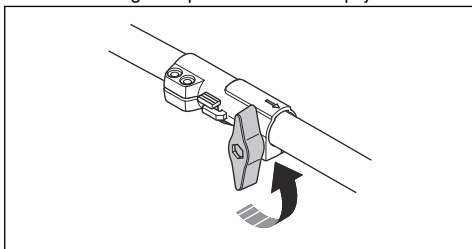


4. Pritegnite dugme do kraja.



Rasklapanje dvodijelne osovine

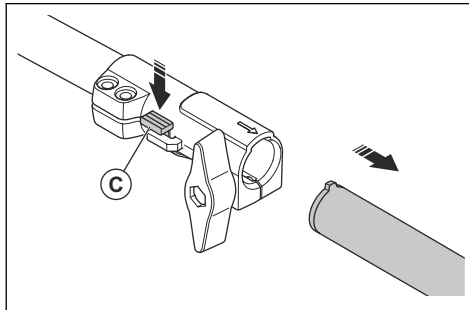
1. Okrenite dugme 3 puta da olabavite spojku.



2. Pritisnite i držite dugme (C).

3. Držite čvrsto kraj osovine na koji je pričvršćen motor.

4. Povucite produžetak i izvucite ga direktno iz spojke.



Rukovanje

Uvod



UPOZORENJE: Prije rada s proizvodom, morate s razumijevanjem pročitati poglavlje o sigurnosti.

Gorivo

Ovaj proizvod ima dvotaktni motor.



OPREZ: Nepravilno gorivo može uzrokovati oštećenje motora. Koristite mješavinu benzina i ulja za dvotaktni motor.

Pripremljena smješa goriva

- Za najbolje rezultate i duži radni vijek motora, koristite pripremljenu smještu goriva Husqvarna. Takvo gorivo sadrži manje opasne hemikalije od običnog goriva, čime se smanjuju opasni ispušni dimovi. S takvim gorivom, količina ostataka nakon sagorijevanja je manja, zbog čega sastavni dijelovi motora budu čišći.

Miješanje goriva

Benzin

- Koristite bezolovni benzin dobrog kvaliteta s maksimalnim sadržajem etanola do 10%.



OPREZ: Nemojte koristiti benzin čiji oktanski broj je manji od 90 RON/87 AKI. Upotrebom goriva koje ima manji oktanski broj može izazvati kuckanje u motoru te oštećenje istog.

Ulje za dvotaktni motore

- Za najbolje rezultate i rada koristite Husqvarna ulje za dvotaktni motore.
- Ukoliko Husqvarna ulje za dvotaktni motore nije dostupno, koristite kvalitetno ulje za dvotaktni motore sa zračnim hlađenjem. Obratite se zastupniku servisa za odabir pravilnog ulja.



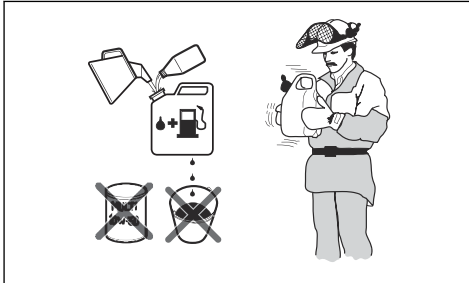
OPREZ: Nemojte koristiti ulje za vanbrodske dvotaktni motore s vodenim hlađenjem, koji se nazivaju i vanbrodski. Nemojte koristiti ulje za četverotaktni motore.

Miješanje benzina i ulja za dvotaktne motore

Benzin, litar	Ulje za dvotaktne motore, litar
	2% (50:1)
5	0,10
10	0,20
15	0,30
20	0,40



OPREZ: Ukoliko pravite malu količinu smješe, male greške mogu drastično poremetiti omjer smješe. Pravilno izmjerite količinu ulja i vodite računa da dobijete pravilnu smještu.



1. Naspite pola količine benzina u čistu posudu za gorivo.
2. Dodajte punu količinu ulja.
3. Protresite smještu goriva.
4. Dodajte preostalu količinu benzina u posudu.
5. Protresite smještu goriva.



OPREZ: Nemojte miješati gorivo više od jednom mjesečno.

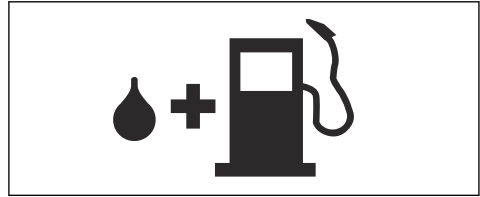
Da biste napunili spremnik za gorivo



UPOZORENJE: Pridržavajte se postupka navedenog u nastavku radi vlastite sigurnosti.

1. Zaustavite motor i pustite ga da se ohladi.

2. Očistite područje oko poklopca rezervoara.



3. Protresite posudu i provjerite je li gorivo dobro izmiješano.
4. Pažljivo uklonite poklopac spremnika za gorivo kako biste oslobodili pritisak.
5. Napunite spremnik za gorivo.



OPREZ: Pazite da u spremniku nema puno goriva. Gorivo se širi kada postane vruće.

6. Pažljivo pritegnite poklopac rezervoara za gorivo.
7. Obrišite gorivo proliveno po proizvodu i oko proizvoda.
8. Prije pokretanja motora, proizvod odmaknite na udaljenost od najmanje 3 m / 10 stopa od područja gdje se gorivo sipa i gdje je izvor goriva.

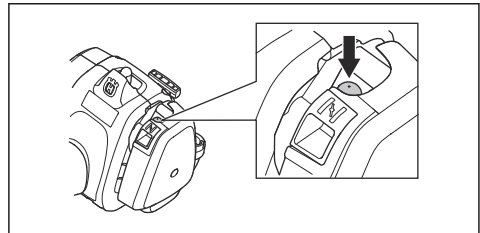
Napomena: Položaj rezervoara za gorivo na proizvodu potražite u odjeljku *Pregled proizvoda na strani 44*.

Pregled prije početka rada

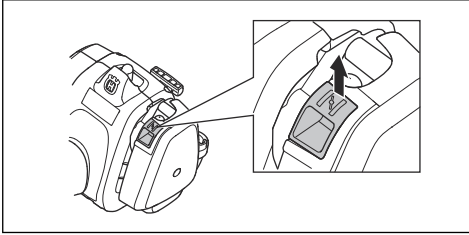
1. Vodite računa da na proizvodu nema dijelova koji su oštećeni, olabavljeni, istrošeni ili koji nedostaju.
2. Vodite računa da su matice i vijci pričvršćeni.
3. Vodite računa da glava trimera ne bude oštećena.
4. Vodite računa da filter za zrak nije začepljen.
5. Vodite računa da sigurnosni uređaji na proizvodu nisu neispravni.
6. Vodite računa da gorivo ne curi iz proizvoda.

Pokretanje hladnog motora

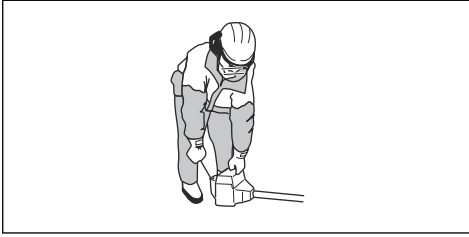
1. Pritisnite pumpicu za istiskivanje zraka 10 puta.



2. Postavite regulator čoka u položaj čoka.



3. Kućište proizvoda držite na tlu lijevom rukom.



OPREZ: Nemojte stajati na proizvod.

4. Desnom rukom polako povlačite ručku konpa pokretača dok ne osjetite otpor. Zatim brzo i snažno povucite ručicu startnog užeta dok se motor ne pokrene ili pokušajte pokrenuti.



UPOZORENJE: Nemojte uvijati užu za pokretanje oko ruke.

5. Postavite kontrolu prigušnice u radni položaj.
6. Ako se motor pokrene, blago pritisnite okidač za gas i pustite da motor radi 60 sekundi kako bi se zagrijao. Ako se motor ne pokrene, povlačite ručicu startnog užeta dok se motor ne pokrene. Ako se motor pokrene, blago pritisnite okidač za gas i pustite da motor radi 60 sekundi kako bi se zagrijao.



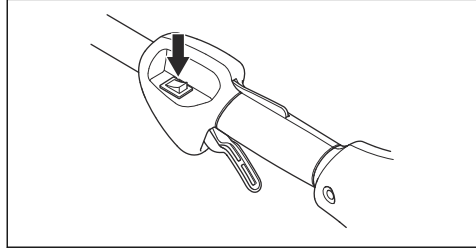
OPREZ: Nemojte povlačiti konop za pokretanje do kraja i nemojte ispuštati ručku konopa za pokretanje. To može izazvati oštećenje na proizvodu. Polako otpustite konop za paljenje.

Da biste pokrenuli zagrijan motor.

1. Pritisnite pumpicu za istiskivanje zraka 10 puta.
2. Povlačite konop za paljenje dok se motor ne pokrene.

Zaustavljanje proizvoda

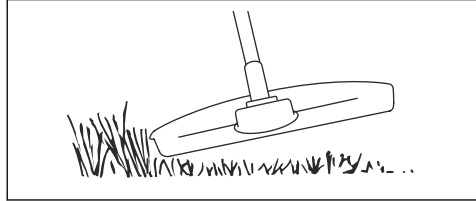
- Pritisnite prekidač za zaustavljanje da zaustavite motor.



Napomena: Prekidač za zaustavljanje se automatski vraća u svoj početni položaj.

Trimovanje trave

1. Glavu za podrezivanje držite nakošeno odmah iznad tla. Nemojte gurati flaks trimera u travu.



2. Smanjite dužinu flaksa trimera za 10–12 cm / 4–4,75 inča.
3. Smanjite brzinu motora kako biste smanjili rizik od oštećenja biljaka.
4. Koristite 80% gasa kada režete travu u blizini predmeta.



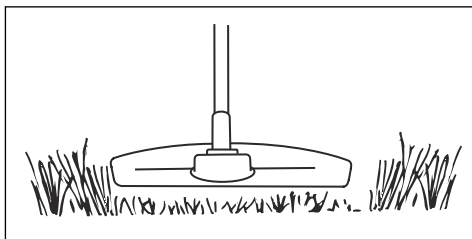
Raščišćavanje trave nožem za travu

1. Noževi za travu i sječiva za travu se ne smiju koristiti na drvenim panjevima.
2. Sječivo za travu se koristi za sve vrste visoke ili guste trave.
3. Trava se reže bočnim, njihajućim kretnjama, pri čemu kretanja zdesna nalijevo predstavlja zamah raščišćavanja, a kretanja slijeva nadesno povratni zamah. Pustite da lijeva strana noža (između 8 i 12 sati) reže.

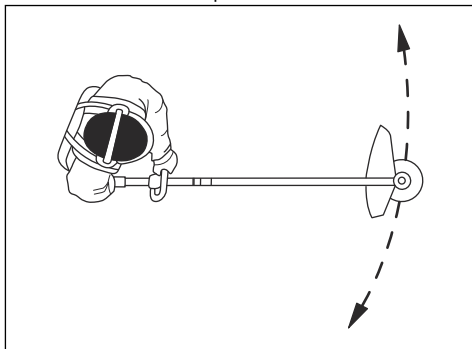
4. Ako je nož nagnut ulijevo kada se raščičava trava, trava će padati u jednom redu, što olakšava njeno skupljanje, npr. pri grabljenju.
5. Pokušajte ritmično raditi. Stojite čvrsto sa raširenim nogama. Krećite se prema naprijed nakon povratnog zamaha i ponovo stanite čvrsto.
6. Pustite da potporna posuda lagano leži na tlu. Ona se koristi da zaštići nož od udaranja od tlo.
7. Smanjite rizik od omotavanja materijala oko noža tako što ćete uvijek raditi na punom gasu i izbjegavajte prethodno odrezani materijal pri povratnom zamahu.
8. Zaustavite mašinu, otkopčajte remen i položite mašinu na tlo prije nego što počnete skupljati odrezani materijal.

Rezanje trave

1. Pazite da flaks za trimmer bude paralelan s tlom kada kosite travu.



2. Nemojte pritiskati glavu trimera u tlo. To može izazvati oštećenje na proizvodu.
3. Pomjerajte proizvod s jedne na drugu stranu dok kosite travu. Koristite punu brzinu.



Sakupljanje trave

Zračna struja iz rotirajućeg silka trimera može se koristiti za uklanjanje trave iz područja.

1. Držite glavu trimera i flaks trimera paralelno sa tlom i iznad tla.
2. Dajte puni gas.
3. Pomjerajte glavu trimera s jedne strane na drugu i čistite travu.



UPOZORENJE: Očistite poklopac glave trimera svaki put kad postavljate novi silk trimera kako biste spriječili neuravnoteženost i vibracije na ručkama. Također provjerite i ostale dijelove glave trimera i očistite ih po potrebi.

Glava trimera za travu

- Uvjerite se da flaks za trimmer namotate čvrsto i ravnomjerno oko doboša kako biste smanjili vibracije.
- Koristite samo odobrene glave trimera za travu i flaks trimera za travu. Pogledajte *Pribor na strani 61*.
- Koristite pravilnu dužinu flaksa za trimmer. Flaks za trimmer za dugu travu koristi veću snagu motora nego flaks za trimmer za kratku travu.
- Uvjerite se da sječivo na zaštitniku reznog dodatka nije oštećeno.
- Umočite flaks za trimmer u vodu tokom 2 dana prije nego što pričvrstite flaks za trimmer na proizvod. To povećava životni vijek flaksa za trimmer.
- Pogledajte upute vezane za pribor za rezanje da biste pronašli ispravan način punjenja konopca za podrezivanje i ispravan presjek konopca.

Održavanje

Uvod



UPOZORENJE: Prije održavanja, morate s razumijevanjem pročitati poglavlje o sigurnosti.

Za sve servisne radove i popravke proizvoda, potrebna je posebna obuka. Mi garantujemo da su na raspolaganju profesionalna popravka i usluga. Ukoliko vaš prodavač nije predstavnik servisa, zatražite od njega informacije o najbližem predstavniku servisa.

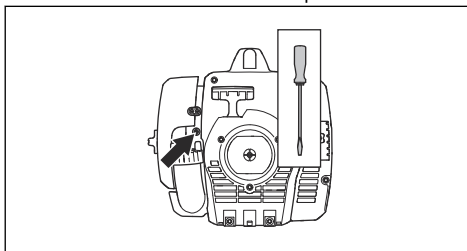
Plan održavanja

Održavanje	Dnevno	Sedmično	Mjesečno
Očistite vanjsku površinu.	X		
Očistite filter za vazduh. Zamijenite ih po potrebi.	X		
Provjerite funkciju blokade regulatora gasa i gas.	X		
Provjerite prekidač za zaustavljanje.	X		
Pregledajte zaštitnike.	X		
Provjerite glavu trimera.	X		
Pregledajte maticu.	X		
Provjerite curenja goriva.	X		
Vodite računa da je sječivo za travu poravnato sa sredinom, da je naoštreno i da nema oštećenja na njemu ili u otvoru u sredini.	X		
Vodite računa da se rezni dodatak ne okreće pri radu u praznom hodu.	X		
Podmažite dvodijelnu osovinu.		X	
Provjerite ručku konopa za paljenje i konop za paljenje.		X	
Pregledajte je li konusni pogon podmazan.		X	
Očistite vanjsku stranu kapice svjeće. Uklonite kapicu svjeće i izmjerite zazor elektroda. Podesite zazor elektroda ili zamijenite kapicu svjeće.		X	
Očistite sistem za hlađenje.		X	
Očistite ili zamijenite mrežicu za odvođenje iskre na prigušivaču.		X	
Očistite vanjsku površinu karburatora i prostor oko njega.		X	
Provjerite crijevo goriva radi kontaminacije.			X
Provjerite crijevo goriva radi oštećenja.			X
Ispitajte sve kablove i spojeve.			X
Provjerite istrošenost spojnice, opruge spojnice i bubnja.			X
Zamijenite svjećicu.			X

Da biste podesili brzinu u praznom hodu

Uvjerite se da je filter za zrak čist i da je poklopac filtera za zrak pričvršćen prije nego što podesite brzinu u praznom hodu.

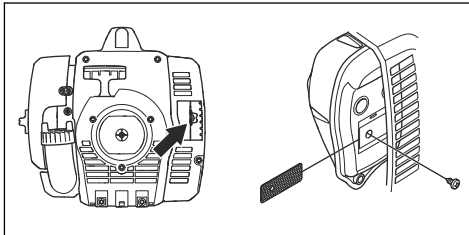
1. Okrenite vijak za podešavanje brzine praznog hoda, koji je identificiran oznakom "T", u smjeru kazaljke na satu dok se rezni dodatak ne počne okretati.



2. Okrenite vijak za podešavanje brzine praznog hoda, koji je identificiran oznakom "T", u smjeru suprotnom od smjera kazaljke na satu dok se rezni dodatak ne zaustavi.
3. Brzina u praznom hodu mora biti manja od brzine pri kojoj se rezni dodatak počinje okretati. Brzina u praznom hodu je pravilno namještena kada motor glatko radi u svakom položaju.

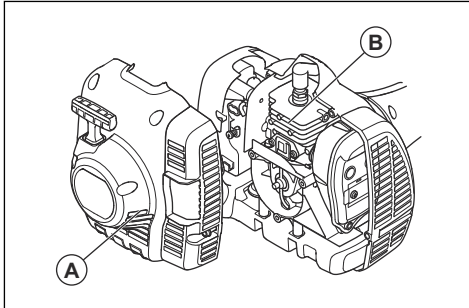
Da biste obavili radove na održavanju na zaslonu odvodnika iskre

- Koristite žičanu četku da očistite mrežicu odvodnika iskri.



Čišćenje sistema za hlađenje

- Četkom očistite usis zraka (A) na starteru i rebra za hlađenje (B) na cilindru.



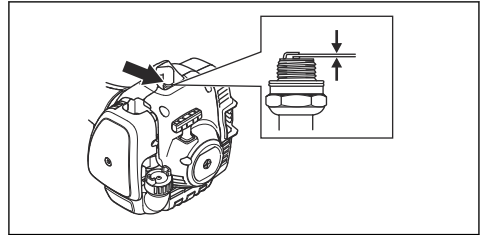
Da biste provjerili svječicu



OPREZ: Koristite preporučene svječice. Uvjerite se da zamijenjeni dio bude isti kao i dio kojeg je osigurao proizvođač. Nepravilna svječica može izazvati oštećenje na proizvodu. Provjerite da li je na kapici svječice postavljen potiskivač. Više informacija potražite kod svog zastupnika servisa.

1. Provjerite svječicu kada:
 - a) je motor pri maloj jačini,
 - b) se motor ne pokreće lako,
 - c) motor ne radi ispravno pri brzini u praznom hodu.

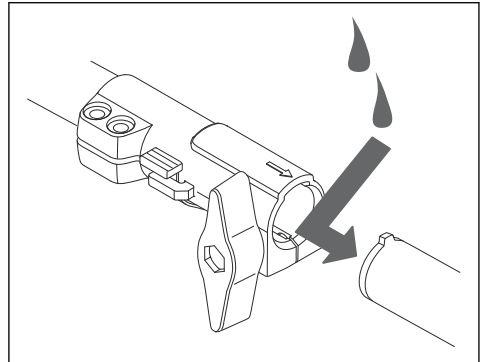
2. Ako se motor ne pokreće lako ili ne radi glatko, provjerite svječicu zbog neželjenih materijala. Da biste smanjili opasnost od neželjenih materijala na elektrodama svječice:
 - a) uvjerite se da je brzina u praznom hodu ispravno podešena,
 - b) uvjerite se da je mješavina goriva ispravna,
 - c) uvjerite se da je filter za zrak čist.
3. Očistite svječicu ako je prljava. Vodite računa da zazor elektrode bude ispravan. Pogledajte *Tehnički podaci na strani 60*.



4. Zamijenite svječicu kad je to potrebno.

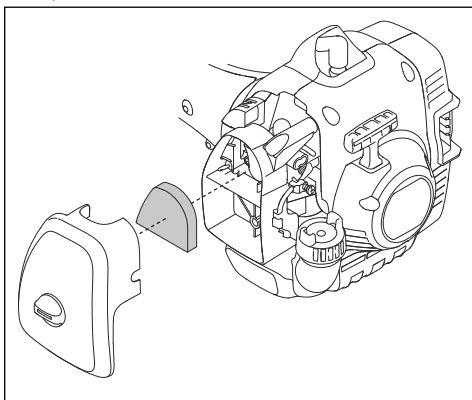
Da biste podmazali dvodijelnu osovinu.

- Podmažite kraj pogonske osovine nakon svakih 30 sati rada.



Čišćenje zračnog filtera

1. Uklonite poklopac filtera za zrak i uklonite filter za zrak.



2. Očistite filter za zrak toplom sapunjavom vodom. Uvjerite se da je filter za zrak suh prije nego ga postavite.
3. Zamijenite filter zraka ako je previše prljav kako biste ga potpuno očistili. Uvijek zamijenite oštećeni filter za zrak.
4. Ako vaš proizvod ima pjenasti filter za zrak, nanesite ulje za filter za zrak. Nanesite samo ulje za filter za zrak na pjenasti filter. Nemojte nanositi ulje na felt filter.

Da biste nanijeli ulje za filter za zrak na zračni filter

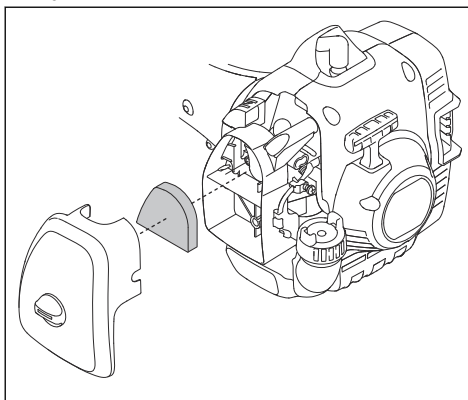


OPREZ: Uvijek koristite posebno ulje za filter za zrak na pjenaste zračne filtere. Nemojte koristiti druge tipove ulja.

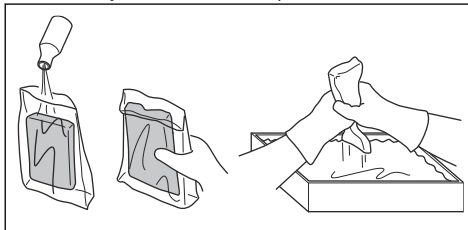


UPOZORENJE: Nemojte dopustiti da ulje dospije na vaše tijelo.

1. Uklonite poklopac filtera za zrak i uklonite filter za zrak.



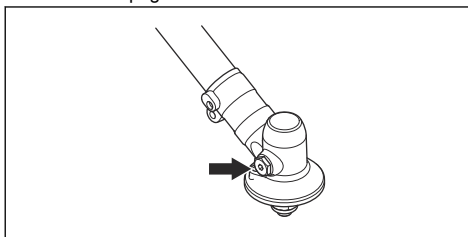
2. Stavite filter za zrak u plastičnu vrećicu.
3. Stavite ulje za filter za zrak u plastičnu vrećicu.



4. Pritisnite plastičnu vrećicu kako biste osigurali da se ulje raspoređuje jednako širom filtera za zrak.
5. Pritisnite filter za zrak dok je u vrećici, kako biste uklonili ulje za filter za zrak koje nije potrebno. Uklonite filter za zrak iz vrećice.
6. Postavite filter za zrak.

Da biste podmazali konusni pogon

- Provjerite je li konusni pogon napunjen do $\frac{3}{4}$ masti za konusni pogon.



Rješavanje problema

Motor se ne pokreće

Provjeriti	Mogući uzrok	Postupak
Zapinjači startera.	Zapinjači startera se ne mogu slobodno pomijerati.	Uklonite poklopac startera i očistite područje oko zapinjača startera.
		Za pomoć se obratite ovlaštenom predstavniku servisa.
Rezervoar za gorivo.	Neodgovarajuća vrsta goriva.	Ispraznite rezervoar za gorivo i napunite ga odgovarajućom vrstom goriva.
Svjećica.	Svjećica je prljava ili vlažna.	Vodite računa da svjećica bude čista i suha.
	Zazor elektrode svjeće je neodgovarajući.	Očistite svjećicu. Vodite računa da zazor elektrode bude ispravan. Provjerite je li na svjećici postavljen potiskivač.
		Pravilan zazor elektrode potražite u poglavlju <i>Tehnički podaci na strani 60.</i>
	Svjećica je labava.	Pritegnite svjećicu.

Motor se pokreće ali se ponovo zaustavlja

Provjeri	Mogući uzrok	Postupak
Rezervoar za gorivo	Neodgovarajuća vrsta goriva.	Ispraznite rezervoar za gorivo i napunite ga odgovarajućom vrstom goriva.
Filter zraka	Filter zraka je začepljen.	Očistite filter za vazduh.

Transport i skladištenje

- Obavezno ostavite proizvod da se ohladi prije skladištenja.
- Za skladištenje i transport proizvoda i goriva, vodite računa da nema curenja ili isparavanja. Na primjer, svjećice ili otvoreni plamen iz električnih uređaja ili bojlera mogu izazvati požar.
- Uvijek koristite odobrene posude za skladištenje i transport goriva.
- Prije transporta ili dugotrajnog skladištenja izvadite gorivo. Odbacite gorivo na odgovarajuće mjesto za odlaganje.
- Za vrijeme transporta i skladištenja postavite štitnik za transport.
- Otklonite poklopac svjeće sa svjeće.
- Pričvrstite proizvod za vrijeme transporta. Vodite računa da se ne može pomijerati.
- Prije skladištenja na duže vrijeme očistite i servisirajte proizvod.

Tehnički podaci

Tehnički podaci

	122C	122LK
Motor		
Volumen cilindra cm ³	21,7	21,7
Broj obrtaja u praznom hodu, o/min	2900	2900
Preporučena maksimalna brzina, o/min	7200	9100
Brzina izlazne osovine, o/min	7200	6232
Snaga/maksimalna snaga motora, prema ISO 8893, kW/ o/min	0,6/0,8 pri 7800	0,6/0,8 pri 7800
Auspuh sa katalizatorom	Da	Da
Sistem paljenja regulisan brzinom	Ne	Ne
Sistem paljenja		
Svjećica	HQT-4 672201	HQT-4 672201
Zazor elektroda, mm	0,5	0,5
Sistem goriva		
Kapacitet rezervoara za gorivo, l/cm ³	0,3/300	0,3/300
Težina		
Težina bez goriva, reznog dodatka i štitnika, kg	4,4	4,8
Emisija buke ⁷		
Nivo jačine zvuka, izmjeren, dB(A)	102	104
Nivo jačine zvuka, garantovani (L _{WA}), dB(A)	104	108
Nivo buke ⁸		
Ekvivalentni nivo pritiska zvuka na uhu operatera, mjereno prema EN/ISO 11806 i ISO 22868, dB(A):	88	90
Nivoi vibracija ⁹		
Ekvivalentni nivo vibracije (a _{hv, eq}) opremljeno glavom trimera, lijeva strana, m/s ²	5,0	3,6
Ekvivalentni nivo vibracije (a _{hv, eq}) opremljeno glavom trimera, desna strana, m/s ²	3,6	3,5

⁷ Emisije buke u okruženju mjerene kao jačina zvuka (L_{WA}) u skladu s Direktivom EZ 2000/14/EZ. Prijavljeni nivo jačine zvuka za proizvod izmjeren je s originalnim reznim dodatkom koji daje najviši nivo. Razlika između garantirane i izmjerene jačine zvuka je u tome da garantirana jačina zvuka obuhvata i disperziju rezultata mjerenja i varijacije između različitih proizvoda istog modela u skladu s Direktivom 2000/14/EC.

⁸ Prijavljeni podaci za ekvivalentni nivo pritiska zvuka za proizvod imaju tipičnu statističku disperziju (standardno odstupanje) od 1 dB (A).

⁹ Prijavljeni podaci ekvivalentnih nivoa vibracije posjeduju tipičnu statičku disperziju (standardno odstupanje) od 1 m/s².

Pribor

Dodatna oprema

122C		
Odobreni pribor	Tip	Štitnik dodatka za rezanje
Vratilo s navojima	3/8 R	–
Glava trimera	T25 (žica Ø 2,0 – 2,4 mm)	574 47 95-01
	T25C (žica Ø 2,0 – 2,7 mm)	
	R25 (žica Ø 2,0 – 2,4 mm)	
122LK		
Odobreni pribor	Tip	Štitnik dodatka za rezanje
Vratilo s navojima	M10	–
Glava trimera	T25 (žica Ø 2,0 – 2,4 mm)	574 19 87-01
	R25 (žica Ø 2,0 – 2,4 mm)	

Slijedeći dodaci preporučeni su za navedene modele.

Odobreni dodaci	Tip	Koristite sa
Dodatak za čišćenje	SR600-2	122LK
Dodatak za makaze za živu ogradu	HA200	122LK
Dodatak za makaze za živu ogradu	HA860	122LK
Dodatak za rubove	ECA850, ESA860	122LK
Dodatak za pilu	PA1100	122LK
Dodatak za nastavak	EX780	122LK
Dodatak za kultivator	CA230	122LK
Dodatak za duvač	BA101	122LK
Dodatak za čekinjastu četku	BR600	122LK
Dodatak za razrahljivač	DT600	122LK

Izjava o usaglašenosti

Izjava o usklađenosti za EU

Mi, Husqvarna AB, SE-561 82 Huskvarna, Švedska,
tel: +46-36-146500, izjavljujemo pod isključivom
odgovornošću kako prikazani proizvod:

Opis	Benzinski trimer za travu / motorna kosa
Brend	Husqvarna
Tip/model	122C, 122LK
Identifikacija	Serijski broj s datumom 2022 i kasnije

u potpunosti je u skladu sa sljedećim direktivama i
propisima EU-a:

Propis	Opis
2006/42/EZ	"o mašinama"
2014/30/EU	„o elektromagnetnoj kompatibilnosti"
2000/14/EZ	"o spoljnoj buci"
2011/65/EU	"o ograničenju upotrebe određenih opasnih supstanci"

Primijenjeni su sljedeći standardi:

EN ISO 12100:2010, EN ISO 11806-1:2011, ISO
14982:1998, CISPR 12:2007+A1:2009, EN IEC
63000:2018

RISE SMP Svensk Maskinprovning AB, Box 7035,
SE-750 07 Uppsala, Sweden, je u ime kompanije
Husqvarna AB izvršio vlastito ispitivanje.

Certifikati su izdani pod brojevima: 122C - SEC/10/2271,
122LK - SEC/10/2272

RISE SMP Svensk Maskinprovning AB, je također
potvrdila saglasnost s dodatkom V direktive vijeća
2000/14/EG.

Certifikati su izdani pod brojevima: 122C - 01/164/068,
122LK - 01/164/067.

Huskvarna 2022-05-13



Claes Losdal, Menadžer za istraživanje i razvoj,
Husqvarna AB

odgovoran za tehničku dokumentaciju



Obsah

Úvod.....	63	Odstraňování problémů.....	78
Bezpečnost.....	65	Přeprava a skladování.....	78
Montáž.....	69	Technické údaje.....	79
Provoz.....	71	Příslušenství.....	80
Údržba.....	74	Prohlášení o shodě.....	81

Úvod

Popis produktu

Výrobek je vyžinač se spalovacím motorem.

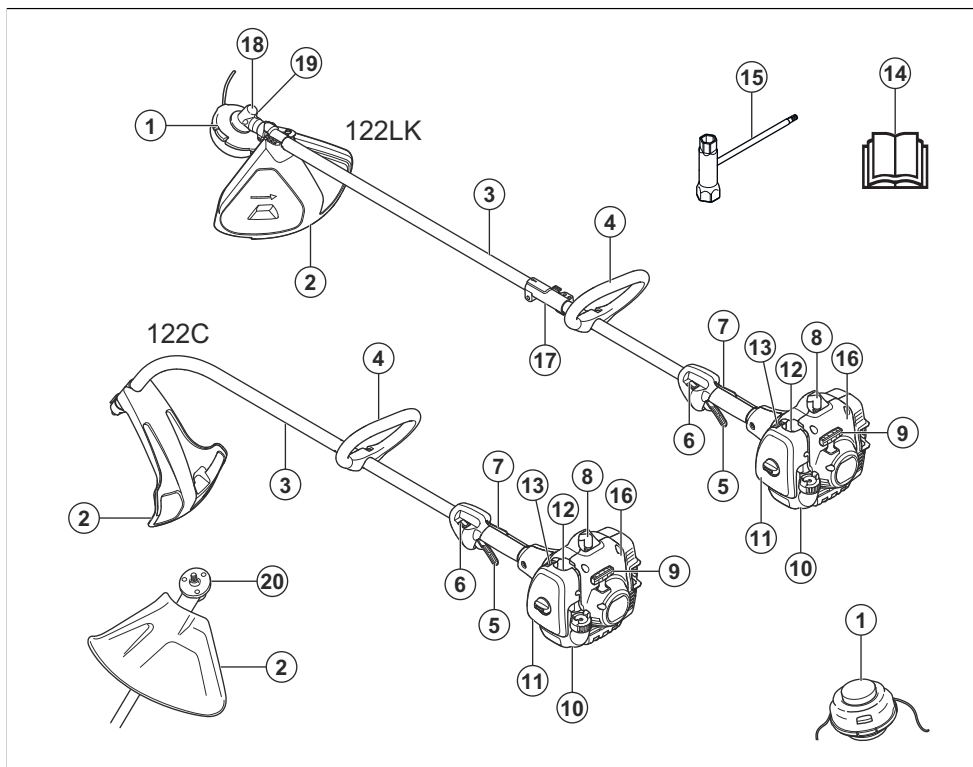
Nepřetržitě pracujeme na tom, abychom zvýšili vaši bezpečnost a efektivitu při používání. Další informace získáte u svého servisního prodejce.

Doporučené použití

Výrobek se používá se strunovou hlavou k sečení trávy. Nepoužívejte výrobek k jiným činnostem, než je vyžínání trávy a travního porostu.

Povšimněte si: Věk pro používání výrobku může být omezen místními předpisy.

Popis výrobku



1. Strunová hlava
2. Kryt sekacího nástavce
3. Hřídel
4. Držadlo ve tvaru „D“
5. Páčka plynu
6. Stop spínač (vypínač zapalování)
7. Pojistka spínače plynu
8. Koncovka kabelu zapalovací svíčky a zapalovací svíčka
9. Rukojeť startéru
10. Palivová nádrž
11. Kryt vzduchového filtru
12. Pomocná palivová pumpička
13. Ovládání sytiče
14. Návod k používání
15. Kombinovaný klíč
16. Kryt startéru
17. Objímka hřídele
18. Úhlová převodovka
19. Uzávěr mazacího otvoru, úhlová převodovka
20. Hnací kotouč

Symbols na výrobku



VAROVÁNÍ! Tento výrobek je nebezpečný. Pokud není výrobek používán obezřetně a řádně, může dojít k zranění nebo usmrcení obsluhy či osob v okolí. Aby se zabránilo zranění obsluhy a osob v okolí, přečtěte si a dodržujte všechny bezpečnostní pokyny uvedené v návodu k používání.



Před použitím si pozorně prostudujte tento návod k používání a nepoužívejte výrobek, pokud návodu zcela nerozumíte.



Používejte ochrannou přilbu v místech, kde hrozí pád předmětů. Vždy používejte schválenou ochranu sluchu. Vždy používejte schválenou ochranu očí.



Maximální otáčky výstupního hřídele.



Výrobek odpovídá příslušným směrnícím ES.



Výrobek může způsobit vymrštění předmětů a následně zranění.



Během používání výrobku udržujte minimální vzdálenost 15 m od osob a zvířat.



Používejte schválené ochranné rukavice.



Používejte odolnou obuv s protiskluzovou podrážkou.



Používejte pouze ohebnou žací strunu. Nepoužívejte kovové řezací nástavce.



Štítek s emisemi hluku do okolí podle směrnic a předpisů Evropské unie a Spojeného království a nařízení o regulaci hluku v australském Novém Jižním Walesu „Protection of the Environment Operations (Noise Control) Regulation 2017“. Garantovaná hladina akustického výkonu tohoto výrobku je uvedena v části *Technické údaje na strani 79 a* na štítku.



Pomocná palivová pumpička.



Sytič.



Tento výrobek vyhovuje platným předpisům Spojeného království.

yyyywwxxxx

Typový štítek s výrobním číslem. **yyyy** znamená rok výroby, **ww** znamená týden výroby.

Povšimněte si: Další symboly/štítky na produktu se týkají certifikačních požadavků pro další komerční oblasti.

Emise Euro V



VÝSTRAHA: Manipulace s motorem vede k zneplatnění typového schválení EU tohoto výrobku.

Zákaznická podpora

Zavolejte na linku pomoci zákazníků: 1-800-487-5951 nebo navštivte webové stránky www.husqvarna.com.

Odpovědnost za výrobek

Jak uvádí zákon o odpovědnosti za výrobek, neneseme odpovědnost za žádnou škodu způsobenou naším výrobkem, pokud:

- byl výrobek nesprávně opraven.
- byl výrobek opraven pomocí součástí od jiného výrobce nebo součástí, které nejsou výrobcem schváleny.
- má výrobek příslušenství od jiného výrobce nebo příslušenství, které není výrobcem schváleno.
- výrobek nebyl opraven ve schváleném servisním středisku nebo schváleným odborníkem.

Bezpečnost

Definice týkající se bezpečnosti

Varování, upozornění a poznámky slouží jako upozornění na specifické důležité části návodu.



VÝSTRAHA: Používá se v případě nebezpečí úrazu nebo usmrcení obsluhy nebo okolních osob, pokud nejsou dodrženy pokyny uvedené v této příručce.



VAROVÁNÍ: Používá se v případě nebezpečí poškození výrobku, dalších materiálů či škod na majetku v blízkém okolí, pokud nejsou dodrženy pokyny uvedené v této příručce.

Povšimněte si: Používá se k poskytnutí dalších informací, které jsou nezbytné v dané situaci.

Obecné bezpečnostní pokyny



VÝSTRAHA: Před použitím výrobku si přečtěte následující varování.

- Používejte výrobek správně. Nesprávné používání může mít za následek zranění nebo smrt. Výrobek používejte pouze k činnostem uvedeným v tomto návodu. K jiným činnostem výrobek nepoužívejte.
- Říďte se pokyny v návodu. Říďte se bezpečnostními symboly a pokyny. Pokud se obsluha nebude řídit pokyny a symboly, může dojít ke zranění, poškození nebo smrti.
- Tento návod nevyhazujte. Použijte pokyny k sestavení, k používání a udržování výrobku v dobrém stavu. Použijte pokyny k správné montáži nástavců a příslušenství. Používejte pouze schválené nástavce a příslušenství.
- Nepoužívejte poškozený výrobek. Dodržujte plán údržby. Provádějte pouze údržbu, ke které najdete pokyny v tomto návodu. Veškerou údržbu musí provádět schválené servisní středisko.
- Tento návod nemůže obsahovat všechny situace, ke kterým při používání výrobku dochází. Buďte opatrní a používejte zdravý rozum. Výrobek nepoužívejte

a neprovádějte údržbu, když si nejste jistí danou situací. Poradte se s odborníkem, prodejcem, servisním pracovníkem nebo schváleným servisním střediskem.

- Před montáží, uskladněním nebo údržbou výrobku odpojte kabel zapalovací svíčky.
- Pokud se změní původní specifikace výrobku, nepoužívejte ho. Bez schválení výrobcem nemějte žádné součásti výrobku. Používejte výhradně díly schválené výrobcem. Nesprávná údržba může mít za následek zranění nebo smrt.
- Nevdechujte výpary motoru. Dlouhodobé vdechování výfukových plynů z motoru představuje zdravotní riziko.
- Nestartujte výrobek uvnitř budovy ani v blízkosti hořlavých materiálů. Výfukové plyny jsou horké a mohou obsahovat jiskry, které by mohly zažehnout požár. Nedostatečné proudění vzduchu může způsobit zranění nebo smrt udušením nebo otravou kyslíčnickem uhelnatým.
- Při používání výrobku vytváří motor elektromagnetické pole. Elektromagnetické pole může poškodit implantované lékařské přístroje. Před použitím výrobku se poraďte s lékařem a výrobcem implantovaných lékařských přístrojů.
- Zamezte používání výrobku dětmi. Zamezte používání výrobku osobami, které naznají pokyny.
- Vždy sledujte osoby s fyzickým nebo mentálním postižením při práci s výrobkem. Vždy musí být přítomna zodpovědná dospělá osoba.
- Výrobek zamykejte na místě, kam nemají přístup děti a nežádoucí osoby.
- Produkt může způsobit vymrštění předmětů a následné poranění. Dodržujte bezpečnostní předpisy pro snížení rizika zranění a smrti.
- Neodcházejte od výrobku, když je spuštěný motor.
- Za případnou nehodu nese zodpovědnost obsluha výrobku.
- Před použitím se přesvědčte, že nejsou poškozeny součásti.
- Před použitím výrobku zajistěte, abyste byli ve vzdálenosti minimálně 15 m (50 stop) od ostatních osob a zvířat. Zajistěte, aby osoby ve vaší blízkosti věděly, že budete výrobek používat.

- Podrobnosti naleznete v mezinárodních a místních zákonech. Za určitých podmínek mohou použití výrobku zakazovat nebo omezovat.
- Nepoužívejte výrobek, jste-li unavení nebo pod vlivem alkoholu, drog nebo léků. Tyto faktory mohou ovlivnit váš zrak, pozornost, koordinaci nebo úsudek.

Bezpečnostní pokyny pro montáž



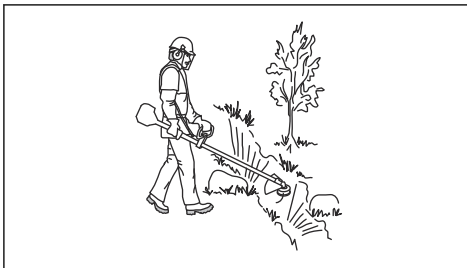
VÝSTRAHA: Před použitím výrobku si přečtěte následující varování.

- Před montáží výrobku vyjměte ze zapalovací svíčky koncovku kabelu zapalovací svíčky.
- Používejte schválené ochranné rukavice.
- Před spuštěním motoru zkontrolujte, zda jsou kryt a hřídel správně namontovány.

Bezpečnostní pokyny pro provoz

- Před použitím zkontrolujte, že je výrobek zcela smontovaný.
- Před spuštěním poodejděte 3 m (10 stop) od místa, kde jste doplňovali palivo. Položte výrobek na rovný podklad. Zkontrolujte, zda sekací nástavec nemůže přijít do kontaktu se zemí nebo cizími objekty.
- Produkt může způsobit vyvrstvení předmětů a následné poranění očí. Při práci s výrobkem vždy používejte ochranu očí.
- Dejte pozor, během práce se k vám může přiblížit dítě, aniž byste o tom věděli.
- Pokud se v pracovní oblasti vyskytují osoby, nepracujte. Když do pracovní oblasti vstoupí jiná osoba, výrobek vypněte.
- Přesvědčte se, že máte výrobek stále pod kontrolou.
- Pokud by vám v případě nehody neměl kdo pomoci, výrobek nepoužívejte. Než začnete výrobek používat, přesvědčte se, že o tom ostatní vědí.
- Než se s výrobkem otočíte, přesvědčte se, že se v bezpečnostní oblasti nevyskytují žádné osoby ani zvířata.
- Než výrobek spustíte, odstraňte z pracovní oblasti případné nechtěné materiály. Pokud sekací nástavec zasáhne nějaký předmět, může dojít k vyvrstvení předmětu a zranění nebo škodě. Nechtěný materiál se může namotat na sekací nástavec a způsobit škodu.
- Výrobek nepoužívejte za špatného počasí (mlha, déšť, silný vítr, nebezpečí blesku nebo jiné počasí). Špatné počasí může způsobit nebezpečné podmínky (například kluzký povrch).

- Přesvědčte se, že se můžete volně pohybovat a pracovat ve stabilní poloze.



- Ujistěte se, že při používání výrobku nemůžete spadnout. Při používání výrobku se nenaklánějte.
- Výrobek vždy držte oběma rukama. Výrobek držte po své pravé straně.



- Při práci s výrobkem udržujte sekací nástavec pod úrovní pasu.
- Pokud je po spuštění motoru ovládná sytiče v poloze sycení, spustí se sekací nástavec.
- Po zastavení motoru se nedotýkejte kuželového ozubeného kola. Kuželové ozubené kolo je po zastavení motoru horké. Horké oblasti mohou způsobit zranění.
- Než výrobek začnete přesouvat, zastavte motor.
- Neodkládejte výrobek, když je spuštěný motor.
- Než začnete z výrobku odstraňovat nechtěný materiál, zastavte motor a počkejte, než se sekací nástavec zastaví. Než vy nebo asistent odstraníte nechtěný materiál, nechte sekací nástavec zastavit.

Osobní ochranné prostředky



VÝSTRAHA: Před použitím výrobku si přečtěte následující varování.

- Při použití výrobku je nutné vždy používat schválené osobní ochranné prostředky. Osobní ochranné prostředky nemohou zcela eliminovat nebezpečí úrazu, ale v případě nehody pomáhají snížit míru poranění. Požádejte prodejce, aby vám pomohl vybrat správné vybavení.
- Používejte ochrannou přilbu tam, kde hrozí nebezpečí padajících předmětů.

- Použijte schválenou ochranu sluchu s dostatečným tlumícím účinkem. Dlouhodobé vystavování působení hluku může vést k trvalému poškození sluchu.
- Vždy používejte schválenou ochranu očí. Použijete-li štít, je nutno použít i schválené ochranné brýle. Schválené ochranné brýle musí být v souladu s normou ANSI Z87.1 v USA nebo EN 166 v zemích EU.
- Pro ochranu obličeje používejte ochranný štít. Ochranný štít není dostatečná ochrana očí.



- Při určitých činnostech používejte rukavice, například při nasazování, prohlídce nebo čištění řezacího zařízení.
- Používejte pevnou, neklouzavou obuv.
- Noste oblečení vyrobené z pevné tkaniny. Vždy používejte silné, dlouhé kalhoty a dlouhé rukávy. Nepoužívejte volné oblečení, které se může zachytit o keře nebo větve. Nepoužívejte šperky, krátké kalhoty nebo sandály a nepracujte bosí. Stáhněte si vlasy bezpečně nahoru nad úroveň ramen.



- Mějte při ruce lékárničku.



Bezpečnostní zařízení na produktu

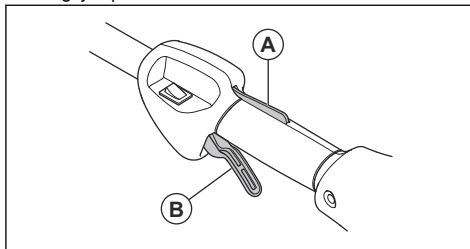


VÝSTRAHA: Před použitím výrobku si přečtěte následující varování.

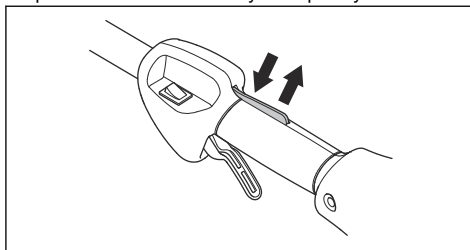
- Nepoužívejte výrobek, jehož bezpečnostní zařízení jsou vadná!
- Pravidelně kontrolujte bezpečnostní zařízení. Další informace naleznete v části *Plán údržby na strani 75*.
- Pokud je bezpečnostní zařízení vadné, obraťte se na servisního prodejce Husqvarna.

Kontrola pojistky páčky plynu

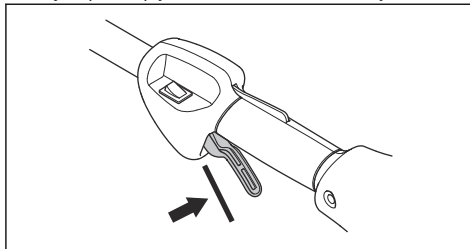
1. Zkontrolujte, zda se pojistka páčky plynu (A) a páčka plynu (B) volně pohybují a zda vratná pružina funguje správně.



2. Stiskněte pojistku páčky plynu a zkontrolujte, zda se po uvolnění vrátí do své výchozí polohy.



3. Zkontrolujte, zda se při uvolnění pojistky páčky plynu zajistí páčka plynu v nastavení volnoběžných otáček.



4. Spustte výrobek a nastavte plný plyn.
5. Uvolněte páčku plynu a zkontrolujte, zda se nůž zastaví a zůstane v klidu.

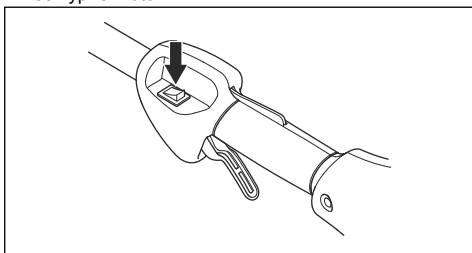


VÝSTRAHA: Pokud se nože pohybují, když je páčka plynu v poloze volnoběžných otáček, je třeba na karburátoru upravit nastavení volnoběžných otáček. Další informace naleznete v části *Úprava volnoběžných otáček na strani 75*.

Kontrola vypínače

1. Nastartujte motor.

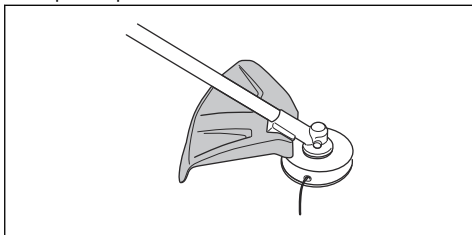
2. Posuňte vypínač do polohy Stop a zkontrolujte, zda se vypne motor.



Kontrola krytu řezacího nástavce

Kryt řezacího nástavce brání vymrštění předmětů směrem k obsluze. To také brání zranění, ke kterým může dojít, pokud přijdete do kontaktu s řezacím nástavcem.

1. Vypněte motor.
2. Proveďte vizuální kontrolu ohledně poškození, například prasklin.



3. Poškozený kryt sekacího nástavce je nutné vyměnit.

Tlumič výfuku

- Nepoužívejte motor s poškozeným tlumičem. Poškozený tlumič zvyšuje úroveň hluku a nebezpečí požáru. Vždy mějte poblíž hasicí přístroj.
- Pravidelně kontrolujte, zda je k výrobku namontován tlumič.
- Nedotýkejte se běžícího motoru ani tlumiče. Motoru ani tlumiče se nedotýkejte ani nějakou dobu po zastavení motoru. Horký povrch může způsobit zranění.
- Horký tlumič může způsobit požár. Buďte opatrní, pokud výrobek používáte v blízkosti hořlavých kapalin a plynů.
- Pokud je tlumič poškozen, nedotýkejte se jeho součástí. Součástí mohou obsahovat karcinogenní chemikálie.

Sekací nástavec



VÝSTRAHA: Před použitím výrobku si přečtěte následující varování.

- Provádějte pravidelnou údržbu. Ve schváleném servisním středisku nechte sekací nástavec pravidelně kontrolovat, seřídit nebo případně opravit.
 - Zvýší se tím výkon sekacího nástavce.
 - Prodlouží se tím životnost sekacího nástavce.
 - Sníží se nebezpečí nehody.
- Používejte pouze schválený kryt sekacího nástavce. Další informace naleznete v části *Příslušenství na strani 80*.
- Nepoužívejte poškozený sekací nástavec.

Bezpečnost při manipulaci s palivem



VÝSTRAHA: Před použitím výrobku si přečtěte následující varování.

- Nemíchejte palivo ve vnitřních prostorech nebo v blízkosti zdrojů tepla.
- Pokud je na výrobku palivo nebo olej, nespouštějte ho. Nechtěně palivo/olej z výrobku odstraňte a nechte výrobek uschnout. Nechtěně palivo z výrobku odstraňte.
- Pokud si palivem polijete oblečení, okamžitě se převlékněte.
- Zabraňte styku paliva s tělem, může způsobit zranění. Pokud se palivo na vaše tělo dostane, omyjte se vodou a mýdlem.
- Pokud polijete výrobek nebo sebe olejem nebo palivem, nespouštějte motor výrobku.
- Nepouštějte motor, pokud z něj něco uniká. Pravidelně kontrolujte, jestli z motoru nic neuniká.
- Při manipulaci s palivem buďte opatrní. Palivo je hořlavé a výpary jsou výbušné a mohou způsobit zranění nebo smrt.
- Nevdechujte palivové výpary, mohou způsobit zranění. Zajistěte dostatečné proudění vzduchu.
- V blízkosti paliva ani motoru nekuřte.
- Do blízkosti paliva ani motoru neumísťujte horké předměty.
- Když je spuštěný motor, nedoplňujte palivo.
- Než začnete doplňovat palivo, přesvědčte se, že je motor studený.
- Než doplníte palivo, pomalu otevřete uzávěr palivové nádrže a opatrně uvolněte tlak.
- Při doplňování a michání paliva (benzín a olej pro dvoudobé motory) nebo při vypouštění palivové nádrže zajistěte dostatečné proudění vzduchu.
- Palivo a výpary paliva jsou vysoce hořlavé a jsou zdraví škodlivé při jejich vdechnutí a kontaktu s pokožkou. Buďte proto opatrní při manipulaci s palivem a dbejte na to, aby bylo v místě manipulace s palivem dostatečné proudění vzduchu.
- Uzávěr palivové nádrže pečlivě dotáhněte, aby nedošlo k požáru.
- Než výrobek spustíte, přejděte s ním minimálně 3 m (10 stop) od místa, kde jste doplňovali palivo.
- Palivovou nádrž nepřepílejte.

- Přesvědčte se, že při pohybu výrobku nebo nádoby na palivo nemůže dojít k úniku.
- Výrobek ani nádobu na palivo neumístujte do míst s otevřeným ohněm, jiskrami nebo zapalovacím plamínkem. Přesvědčte se, že v oblasti uložení nevyskytuje otevřený plamen.
- Pro přenášení a skladování paliva použijte pouze schválené nádoby.
- Před dlouhodobým uskladněním vyprázdněte palivovou nádrž. Dodržujte místní zákony ohledně likvidace paliva.
- Před dlouhodobým uskladněním výrobek vyčistěte.
- Než výrobek uskladníte, odstraňte koncovku kabelu zapalovací svíčky, aby motor nahodile nenastartoval.
- Výfukové plyny obsahují oxid uhelnatý, jedovatý a velmi nebezpečný plyn bez zápachu, který může způsobit smrt. Nenechávejte výrobek spuštěný ve vnitřních nebo uzavřených prostorech.
- Výfukové plyny z motoru jsou horké a mohou obsahovat jiskry. Nepoužívejte výrobek uvnitř budov ani v blízkosti hořlavých materiálů.
- Příslušenství a změny výrobku, které neschválí výrobce, mohou způsobit vážné zranění nebo úmrtí. Neprovádějte změny na výrobku. Vždy používejte originální příslušenství.
- Při nesprávném nebo nepravidelném provádění údržby se zvyšuje nebezpečí poranění a poškození výrobku.
- Provádějte pouze údržbu uvedenou v tomto návodu k používání. Veškerý další servis musí provést schválený servisní pracovník Husqvarna.
- Servis výrobku by měl provádět schválený servisní pracovník Husqvarna v pravidelných intervalech.
- Poškozené, opotřebené či prasklé součásti vyměňte.
- Viz pokyny pro sekací nástavec, kde je uveden správný způsob navijení vyžínací struny a správný průměr struny.
- Udržujte zuby kotočce dobře a správně nabroušené. Postupujte dle našich doporučení. Viz také návod na obalu nože.

Bezpečnostní pokyny pro údržbu



VÝSTRAHA: Před použitím výrobku si přečtěte následující varování.

- Před provedením údržby vypněte motor, přesvědčte se, že se stříhací nástavec zastavil, a nechte výrobek vychladnout.
- Před prováděním údržby odpojte koncovku kabelu zapalovací svíčky.

Montáž

Úvod



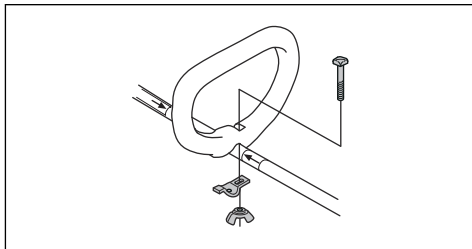
VÝSTRAHA: Před montáží výrobku je třeba, abyste si přečetli a porozuměli kapitole o bezpečnosti.



VÝSTRAHA: Před montáží výrobku sejměte koncovku kabelu zapalovací svíčky ze zapalovací svíčky.

Nasazení držadla ve tvaru „D“

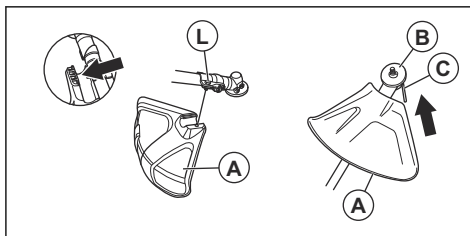
1. Nasadte držadlo ve tvaru „D“ na hřídel podle nákreсу a utáhněte.



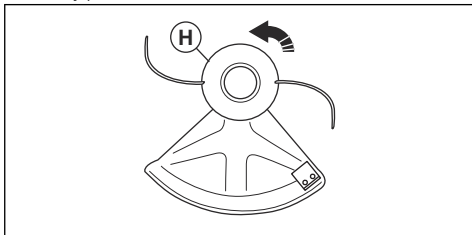
2. Držadlo ve tvaru „D“ musí být nasazeno mezi šípky vyznačenými na trubce hřídele.

Upevnění krytu sekacího nástavce a hlavy vyžínáče (rovná hřídel)

1. Připevněte kryt sekacího nástavce (A) na hřídel pomocí šroubu (L).
2. Nasadte hnaný kotoč (B) na výstupní hřídel.
3. Pootáčejte výstupním hřídelem, dokud jeden z otvorů v hnacím kotoči nezarovnáte s odpovídajícím otvorem v tělese ozubeného převodu.
4. Do otvoru vložte malý šroubovák (C) a uzamkněte hřídel.

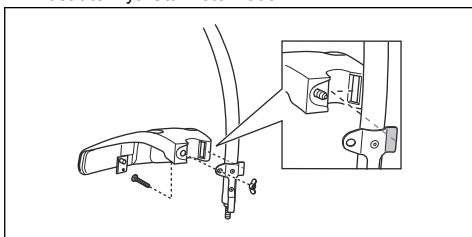


- Otočte hlavou vyžínače (H) proti směru hodinových ručiček a dotáhněte ji tak k převodovce. (Levotočivé závity.)

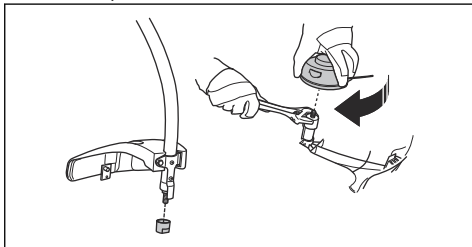


Upevnění krytu sekacího nástavce a hlavy vyžínače (zakřivená hřídel)

- Nasadíte kryt. Utáhněte matici.



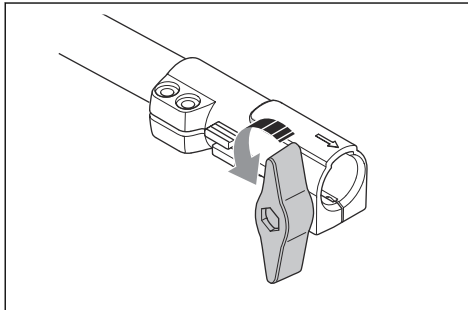
- Nasadíte prachovku na hřídel.



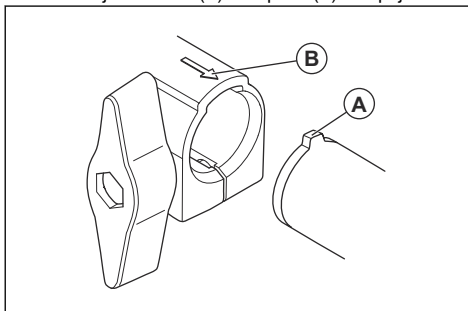
- Podržte prašný hřídel francouzským klíčem a zajistěte proti otáčení.
- Na hřídel nasadíte hlavu vyžínače. Otočte hlavou vyžínače po směru hodinových ručiček.

Sestavení dvoudílného hřídele

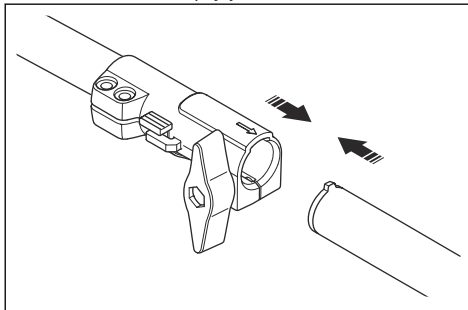
- Otáčením knoflíku povolte spojku.



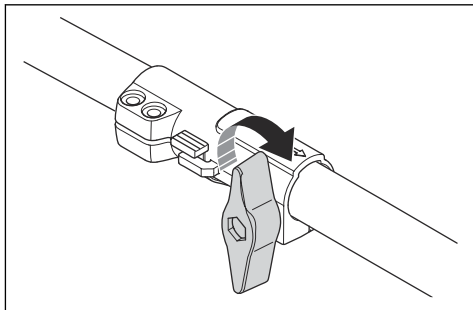
- Zarovnejte zářezku (A) se šipkou (B) na spojce.



- Zasuňte hřídel do spojky, až zacvakne na své místo.

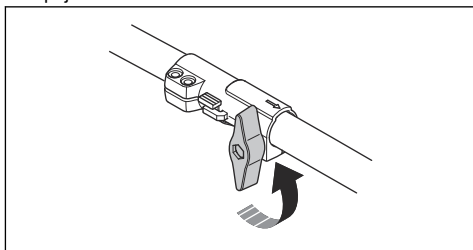


4. Řádně dotáhněte knoflík.



Demontáž dvoudílného hřídele

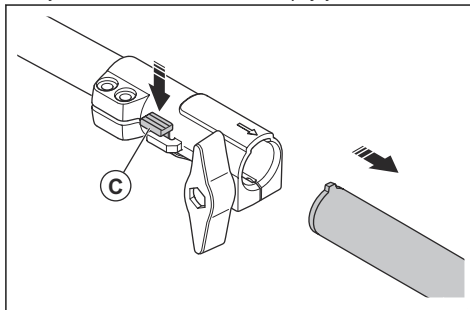
1. Otočením knoflíku o 3 otáčky nebo více povolte spojku.



2. Stiskněte a podržte tlačítko (C).

3. Pevně přidržeťe konec hřídele, ke kterému je připojen motor.

4. Vytáhněte nástavec rovně ze spojky.



Provoz

Úvod



VÝSTRAHA: Před používáním produktu je třeba, abyste si přečetli a porozuměli kapitole o bezpečnosti.

Palivo

Tento výrobek je vybaven dvoudobým motorem.



VAROVÁNÍ: Používání nesprávného typu paliva může vést k poškození motoru. Používejte směs benzínu a oleje pro dvoudobé motory.

Předmíchané palivo

- Používejte předmíchané alkylátové palivo Husqvarna. Zajistí nejlepší výkon výrobku a prodlouží životnost motoru. Toto palivo obsahuje méně škodlivých chemikálií v porovnání s běžným palivem a snižuje množství škodlivých výfukových plynů. Množství zbytků po spálení je s tímto palivem menší a díky tomu jsou součásti motoru čistější.

Míchání paliva

Benzín

- Používejte kvalitní bezolovnatý benzín s obsahem etanolu maximálně 10 %.



VAROVÁNÍ: Nepoužívejte benzín s oktanovým číslem nižším než 90 RON/87 AKI. Při použití benzínu s nízkým oktanovým číslem může docházet ke klepání motoru, které způsobuje jeho poškození.

Olej pro dvoudobé motory

- Nejlepších výsledků dosáhnete s olejem pro dvoudobé motory Husqvarna.
- Není-li k dispozici olej pro dvoudobé motory Husqvarna, použijte kvalitní olej pro dvoudobé motory určený pro vzduchem chlazené motory. Správný olej vám doporučí servisní prodejce.



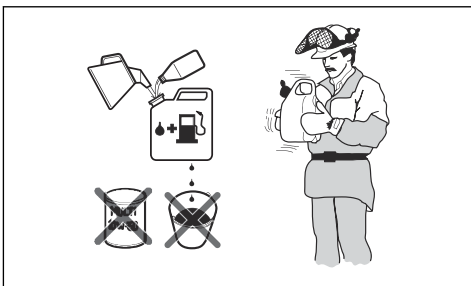
VAROVÁNÍ: Nepoužívejte olej pro dvoudobé motory chlazené vodou (olej pro lodní motory). Nepoužívejte olej pro čtyřdobé motory.

Míchání paliva a oleje pro dvoudobé motory

Benzín, l	Olej pro dvou- taktní motory, l
	2 % (50:1)
5	0,10
10	0,20
15	0,30
20	0,40



VAROVÁNÍ: Při míchání pouze malého množství paliva hrozí riziko, že malá chyba v poměru významně ovlivní výslednou směs. Pečlivě odměřte množství oleje, který bude přimíchán do paliva, aby bylo zajištěno, že docílíte správného poměru.



1. Doplněte polovinu množství benzínu do čisté nádoby na palivo.
2. Přidejte celé množství oleje.
3. Směs paliva řádně protřepejte.
4. Přidejte do nádoby zbývající množství benzínu.
5. Směs paliva dobře protřepejte.



VAROVÁNÍ: Neskladujte směs paliva déle než 1 měsíc.

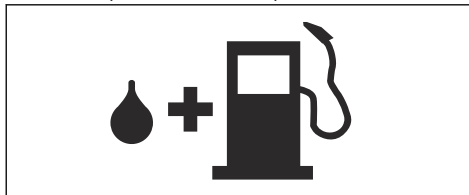
Doplňování paliva do palivové nádrže



VÝSTRAHA: Z bezpečnostních důvodů dodržujte následující postup.

1. Vypněte motor a nechte jej vychladnout.

2. Očistěte plochu kolem víčka palivové nádrže.



3. Protřepejte nádobu, aby se palivo zcela promíchalo.
4. Víčko palivové nádrže otevírejte pomalu, aby se uvolnil tlak.
5. Naplňte palivovou nádrž.



VAROVÁNÍ: Ujistěte se, že v palivové nádrži není příliš mnoho paliva. Palivo se rozpíná, jakmile se zahřeje.

6. Pevně dotáhněte víčko palivové nádrže.
7. Očistěte rozlité palivo na výrobku a v jeho okolí.
8. Před nastartováním přemístěte výrobek alespoň 3 m (10 stop) od místa, kde jste doplňovali palivo, a zdroje paliva.

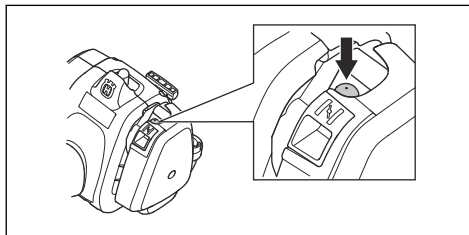
Povšimněte si: Umístění palivové nádrže na výrobku naleznete v části *Popis výrobku na strani 63*.

Prohlídka před spuštěním.

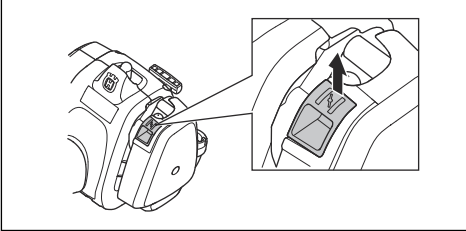
1. Zkontrolujte, jestli na výrobku nechybí součásti, nejsou povolené nebo opotřebované.
2. Zkontrolujte, zda jsou šrouby a matice dotažené.
3. Zkontrolujte, zda není poškozená strunová hlava.
4. Zkontrolujte, zda není vzduchový filtr ucpaný.
5. Zkontrolujte, zda nejsou vadná bezpečnostní zařízení výrobku.
6. Zkontrolujte, zda výrobku neuniká palivo.

Spouštění studeného motoru

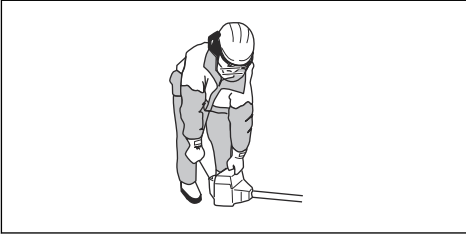
1. Stlačte pomocnou palivovou pumpičku desetkrát za sebou.



2. Nastavte ovládání sytiče do polohy sycení.



3. Přitiskněte celý výrobek k zemi levou rukou.



VAROVÁNÍ: Na výrobek nešlapejte.

4. Pomalu táhněte za rukojeť startovací šňůry pravou rukou, dokud neucítíte odpor. Poté rychle a silou tahejte za rukojeť startovací šňůry, dokud motor nastartuje nebo se pokusí rozběhnout.



VÝSTRAHA: Nikdy si neomotávejte startovací šňůru kolem ruky.

5. Nastavte ovládání sytiče do provozní polohy.
6. Pokud motor nastartuje, stiskněte lehce páčku plynu a nechte motor běžet 60 sekund, aby se zahřál. Pokud se motor nespustí, tahejte za rukojeť startovací šňůry, dokud motor nenastartuje. Potom lehce stiskněte páčku plynu a nechte motor běžet 60 sekund, aby se zahřál.



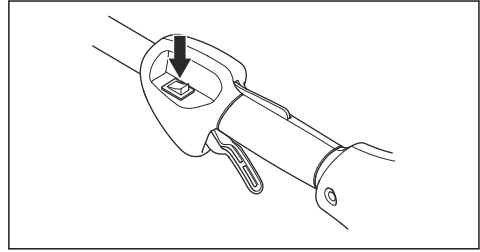
VAROVÁNÍ: Nevytahujte celou délku startovací šňůry a nepouštějte rukojeť. Můžete tím výrobek poškodit. Pouštějte lano startéru pomalu.

Spouštění teplého motoru

1. Stlačte pomocnou palivovou pumpičku desetkrát za sebou.
2. Zatáhněte za lano startéru, až se motor spustí.

Zastavení výrobku

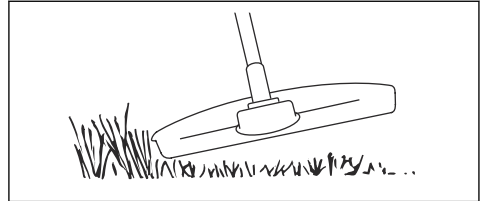
- Stisknutím vypínače zapalování vypnete motor.



Povšimněte si: Vypínač se automaticky vrátí do původní polohy.

Vyžínání trávy

1. Držte strunovou hlavu těsně nad úrovní terénu a pod úhlem. Netlačte vyžínací strunu do trávy.



2. Zkraťte délku vyžínací struny o 10–12 cm (4–4,75 palce).
3. Snižte otáčky motoru, abyste snížili nebezpečí poškození rostlin.
4. Když sečete trávu v blízkosti předmětů, použijte plyn na 80 %.



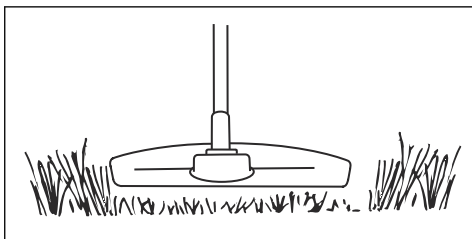
Vyžínání pomocí nože na trávu

1. Travní koutče a vyžínací nože nelze použít na dřevnaté kmenky.
2. Na všechny typy vysoké nebo hrubé trávy používejte travní koutoč.
3. Koste trávu kývavým pohybem ze strany na stranu, kdy pohyb zprava doleva je vysekávací a pohyb zleva doprava zpětný. Nechte koutoč pracovat svou levou stranou (úsekem mezi 8 a 12 hodinou).

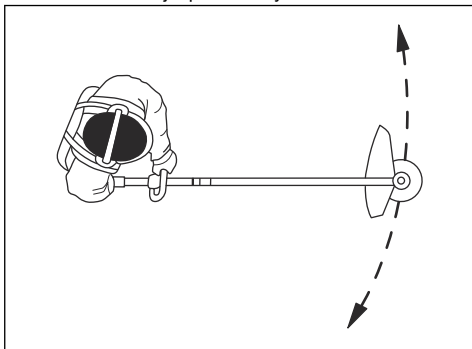
- Nakloníte-li při vyžínání kotouč o něco doleva, pokládá se tráva do řádků, což usnadňuje její sbírání, např. shrabání.
- Snažte se pracovat rytmicky. Stůjte pevně, s rozkročenýma nohama. Postupujte vpřed po zakončení zpětného pohybu a opět se pevně postavte.
- Opěrný talíř nechte dolehnout zlehka k zemi. Ten chrání travní kotouč před dotykem s půdou.
- Pracujte vždy na plný plyn a vyhýbejte se právě posekanému materiálu při zpětném pohybu, abyste snížili riziko omotání materiálu kolem kotouče.
- Před zahájením odklízení posekaného materiálu vždy vypněte motor, odpojte nosné popruhy a položte stroj na zem.

Sečení trávy

- Zajistěte, aby při sečení trávy byla vyžínací struna rovnoběžně se zemí.



- Netlačte hlavu vyžinače k zemi. Můžete tím výrobek poškodit.
- Při sečení trávy pohybujte výrobkem ze strany na stranu. Používejte plné otáčky.



Odstranění trávy

Proud vzduchu z otáčející vyžínací struny lze použít k odstranění trávy z oblastí.

- Udržujte strunovou hlavu a vyžínací strunu rovnoběžně se zemí a nad povrchem.
- Přidejte plný plyn.
- Pohybujte strunovou hlavou ze strany na stranu a odstraňte tak trávu.



VÝSTRAHA: Vyčistěte kryt strunové hlavy po každé montáži nové vyžínací struny, aby se eliminovalo nevyvážení a zabránilo vibracím v rukojetích. Proveďte také kontrolu ostatních dílů strunové hlavy a v případě potřeby ji vyčistěte.

Hlava vyžinače

- Pro snížení vibrací namotejte vyžínací strunu na buben pevně a rovnoměrně.
- Používejte pouze schválené hlavy vyžinače a vyžínací struny. Další informace naleznete v části *Příslušenství na strani 80*.
- Používejte vyžínací struny správné délky. Příliš dlouhá vyžínací struna potřebuje větší výkon motoru než krátká.
- Dbejte na to, aby nůž na krytu sekacího nástavce nebyl poškozen.
- Před nasazením na výrobek namočte vyžínací strunu na dva dny do vody. Tím se prodlouží životnost vyžínací struny.
- Viz pokyny pro sekací nástavec, kde je uveden správný postup navijení vyžínací struny a správný průměr struny.

Údržba

Úvod



VÝSTRAHA: Před prováděním údržby je třeba, abyste si přečetli a porozuměli kapitole o bezpečnosti.

Pro servis a opravy výrobku je nezbytné speciální školení. Garantujeme dostupnost profesionálních oprav a servisu. Pokud neposkytujete prodejce servisní služby, požádejte jej o informace o nejbližším servisu.

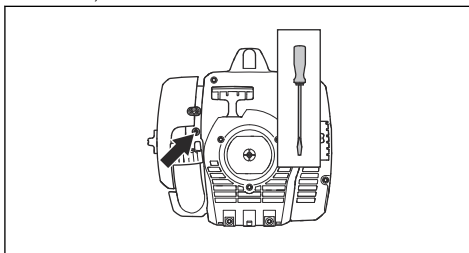
Plán údržby

Údržba	Denně	Týdně	Měsíčně
Vyčistěte vnější povrch.	X		
Vyčistěte vzduchový filtr. V případě potřeby proveďte výměnu.	X		
Zkontrolujte funkci pojistky páčky plynu a plynu.	X		
Zkontrolujte stop spínač.	X		
Zkontrolujte kryty.	X		
Zkontrolujte strunovou hlavu.	X		
Prohlédněte pojistnou matici.	X		
Zkontrolujte, zda neuniká palivo.	X		
Zkontrolujte, zda je nůž na trávu zarovnaný se středem, ostrý a zda nemá poškozený nůž nebo středový otvor.	X		
Zkontrolujte, zda se sekací nástavec neotáčí při chodu motoru na volnoběžné otáčky.	X		
Naneste mazivo na dvoudílný hřídel.		X	
Zkontrolujte rukojeť a lano startéru.		X	
Zkontrolujte promazání úhlové převodovky.		X	
Očistěte vnější povrch zapalovací svíčky. Vyjměte zapalovací svíčku a změřte vzdálenost elektrod. Upravte vzdálenost elektrod nebo vyměňte svíčku.		X	
Vyčistěte chladicí systém.		X	
Vyčistěte nebo vyměňte sítko lapače jisker na tlumiči výfuku.		X	
Vyčistěte vnější povrch karburátoru a jeho okolí.		X	
Zkontrolujte, zda není palivový filtr znečištěný.			X
Zkontrolujte, zda není poškozená palivová hadice.			X
Zkontrolujte všechny elektrické kabely a konektory.			X
Zkontrolujte opotřebení spojky, pružin spojky a bubnu spojky.			X
Vyměňte zapalovací svíčku.			X

Úprava volnoběžných otáček

Než nastavíte volnoběh, zkontrolujte čistotu vzduchového filtru a to, zda je nasazen kryt vzduchového filtru.

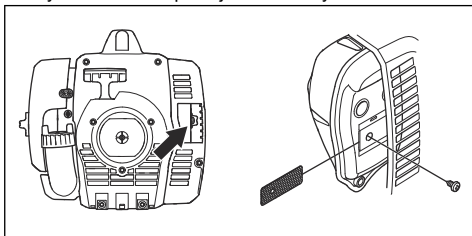
1. Otáčejte stavěcím šroubem volnoběžných otáček označeným písmenem „T“ ve směru hodinových ručiček, dokud se sekací nástavec nezačne otáčet.



2. Otáčejte stavěcím šroubem volnoběžných otáček označeným písmenem „T“ proti směru hodinových ručiček, dokud se sekací nástavec nepřestane otáčet.
3. Po spuštění sekacího nástavce musí být volnoběžné otáčky nižší než tyto otáčky. Rychlost volnoběhu je správná tehdy, když má motor klidný chod v každé poloze.

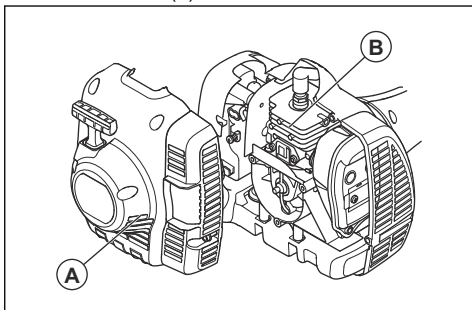
Údržba sítka lapače jisker

- Vyčistěte sítko lapače jisker drátěným kartáčem.



Čištění chladicího systému

- Kartáčem vyčistěte přívod vzduchu (A) na startéru a chladicí žebra (B) na válci.



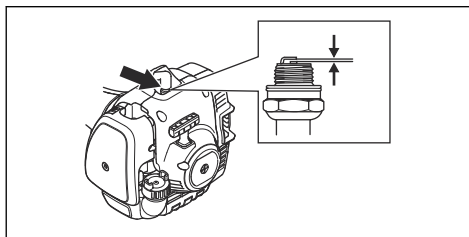
Kontrola zapalovací svíčky



VAROVÁNÍ: Použijte doporučenou zapalovací svíčku. Ujistěte se, že je náhradní díl stejný, jako díl dodaný výrobcem. Nesprávná zapalovací svíčka může výrobek poškodit. Zkontrolujte, zda je zapalovací svíčka vybavena krytem. Další informace získáte u svého prodejce poskytujícího servis.

1. Zkontrolujte zapalovací svíčku, když:
 - a) je výkon motoru nízký;
 - b) není snadné motor spustit;
 - c) motor nefunguje správně ve volnoběžných otáčkách.

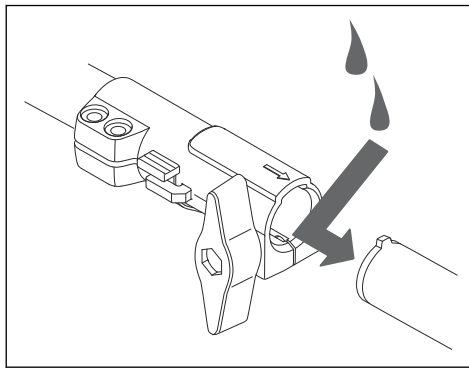
2. Pokud nelze motor snadno spustit nebo ovládat, zkontrolujte, zda se na zapalovací svíčke nenachází nechtěné materiály. Pro snížení nebezpečí přítomnosti nechtěných materiálů na elektrodách zapalovací svíčky:
 - a) zkontrolujte, zda jsou správně nastaveny volnoběžné otáčky;
 - b) zkontrolujte správnost palivové směsi;
 - c) zkontrolujte, zda je vzduchový filtr čistý.
3. Pokud je zapalovací svíčka znečištěná, vyčistěte ji. Zkontrolujte, zda je vzdálenost elektrod správná. Další informace naleznete v části *Technické údaje na strani 79*.



4. V případě potřeby zapalovací svíčku vyměňte.

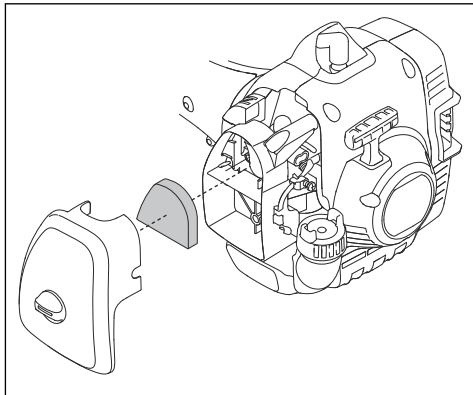
Nanesení maziva na dvoudílnou hřídel

- Po každých 30 hodinách provozu naneste na konec hnací hřídele mazivo.



Čištění vzduchového filtru

1. Odmontujte kryt vzduchového filtru a vzduchový filtr.



2. Vyčistěte filtr teplou mýdlovou vodou. Před montáží zkontrolujte, že je vzduchový filtr suchý.
3. Pokud je vzduchový filtr tak znečištěný, že jej nelze vyčistit, vyměňte ho. Poškozený vzduchový filtr vždy vyměňte.
4. Pokud je váš výrobek vybaven pěnovým filtrem, naneste olej na vzduchové filtry. Olej na vzduchové filtry naneste pouze na pěnový filtr. Nenanášejte olej na vzduchové filtry na plstěný filtr.

Nanesení oleje na vzduchové filtry na vzduchový filtr

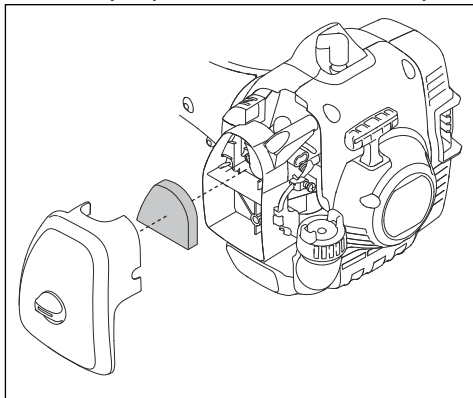


VAROVÁNÍ: Na pěnové filtry vždy používejte speciální olej na vzduchové filtry. Jiné druhy oleje nepoužívejte.

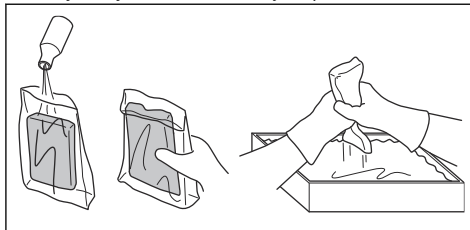


VÝSTRAHA: Zabraňte kontaktu oleje s tělem.

1. Odmontujte kryt vzduchového filtru a vzduchový filtr.



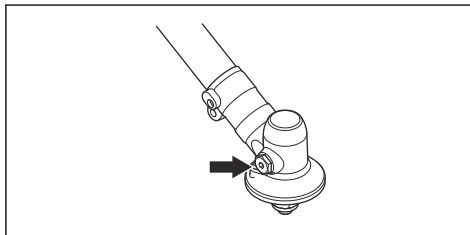
2. Vložte vzduchový filtr do plastového sáčku.
3. Nalijte olej na vzduchové filtry do plastového sáčku.



4. Plastový sáček zmáčkněte, aby se olej rozprostřel po celém vzduchovém filtru.
5. Když je vzduchový filtr ještě v sáčku, zmáčkněte ho, aby z něj vyšel přebytečný olej. Vyndejte vzduchový filtr ze sáčku.
6. Namontujte vzduchový filtr.

Přidání maziva na ozubený převod

- Zkontrolujte, zda je úhlová převodovka naplněná do $\frac{3}{4}$ mazivem.



Odstraňování problémů

Motor nestartuje.

Kontrola	Možná příčina	Pracovní postup
Západky startéru.	Západky startéru se volně nepohybují.	Odmontujte kryt startéru a vyčistěte prostor kolem západek startéru.
		Obrat'te se na schválený servis.
Palivová nádrž.	Nesprávný typ paliva.	Vypus'tte palivovou nádrž a doplňte správné palivo.
Zapalovací svíčka.	Zapalovací svíčka je znečištěná nebo mokrá.	Ujistěte se, že je zapalovací svíčka suchá a čistá.
	Vzdálenost elektrod zapalovací svíčky je nastavena nesprávně.	Vyčistěte zapalovací svíčku. Zkontrolujte, zda je vzdálenost elektrod správná. Zkontrolujte, zda je zapalovací svíčka vybavena krytem.
	Zapalovací svíčka je povolena.	Dotáhněte zapalovací svíčku.

Motor startuje, ale znovu se vypíná.

Kontrola	Možná příčina	Pracovní postup
Palivová nádrž	Nesprávný typ paliva.	Vyprázdněte palivovou nádrž a doplňte správné palivo.
Vzduchový filtr	Vzduchový filtr je zanesený.	Vyčistěte vzduchový filtr.

Přeprava a skladování

- Před uložením nechte výrobek vychladnout.
- Před uskladněním a přepravou výrobku či paliva zkontrolujte, zda nejsou přítomny známky úniku nebo výparů. Jiskry a otevřený oheň, například z elektrických zařízení nebo kotlů, mohou zažehnout požár.
- Vždy používejte schválené nádoby na skladování a přepravu paliva.
- Před přepravou nebo dlouhodobým uskladněním vyprázdněte palivovou nádrž. Odevzdejte palivo na příslušném sběrném místě.
- Během přepravy a skladování musí být nasazený přepravní kryt.
- Ze zapalovací svíčky vyjměte koncovku kabelu zapalovací svíčky.
- Během přepravy musí být výrobek řádně upevněný. Ujistěte se, že se nepohybuje.
- Před dlouhodobým uskladněním výrobek vyčistěte a proveďte servis.

Technické údaje

Technické údaje

	122C	122LK
Motor		
Zdvihový objem válce, cm ³	21,7	21,7
Otáčky chodu naprázdno, ot/min	2900	2900
Doporučené maximální rychlé otáčky bez zatížení, ot/min	7200	9100
Obrátky výchozího hřídele, ot/min	7200	6232
Výkon / max. výkon motoru, dle normy ISO 8893, kW/hp při ot/min	0,6/0,8 při 7800	0,6/0,8 při 7800
Tlumič zaběhnutý s katalyzátorem	Ano	Ano
Systém zapalování řízený počtem otáček	Ne	Ne
Systém zapalování		
Zapalovací svíčka	HQT-4 672201	HQT-4 672201
Vzdálenost elektrod, mm	0,5	0,5
Palivový systém		
Objem palivové nádrže, l/cm ³	0,3/300	0,3/300
Hmotnost		
Hmotnost bez paliva, sekacího nástavce a krytu, kg	4,4	4,8
Emise hluku¹⁰		
Hladina akustického výkonu, změřená, dB(A)	102	104
Hladina akustického výkonu, zaručená (L _{WA}), dB(A)	104	108
Hladiny hluku¹¹		
Ekvivalentní hladina akustického tlaku v úrovni uší obsluhy, měřená podle norem EN ISO 11806 a ISO 22868, dB (A):	88	90
Úrovně vibrací¹²		
Ekvivalentní hladina vibrací (a _{hv, eq}), při použití strunové hlavy, levá rukojeť, m/s ²	5,0	3,6

¹⁰ Emise hluku v životním prostředí měřené jako akustický výkon (L_{WA}) v souladu se směrnicí 2000/14/EU. Uváděná hladina akustického výkonu pro výrobek byla měřena s originálním sekacím nástavcem, který generuje nejvyšší hladinu. Rozdíl mezi garantovaným a měřeným akustickým výkonem je v tom, že garantovaný akustický výkon rovněž zahrnuje rozptyl výsledků měření a rozdíly mezi různými výrobky téhož modelu podle Směrnice 2000/14/ES.

¹¹ Uváděná data pro ekvivalentní hladinu akustického tlaku pro produkt mají typickou statistickou odchylku (standardní odchylku) 1 dB (A).

¹² Uváděná data pro ekvivalentní hladinu vibrací mají typickou statistickou odchylku (standardní odchylku) 1 m/s².

	122C	122LK
Ekvivalentní hladina vibrací ($a_{hv, eq}$), při použití strunové hlavy, pravá rukojeť, m/s^2	3,6	3,5

Příslušenství

Příslušenství

122C		
Schválené příslušenství	Typ	Kryt řezacího nástavce
Hřídél se závitem	3/8 R	–
Strunová hlava	T25 (struna Ø 2,0–2,4 mm)	574 47 95-01
	T25C (struna Ø 2,0–2,7 mm)	
	R25 (struna Ø 2,0–2,4 mm)	
122LK		
Schválené příslušenství	Typ	Kryt řezacího nástavce
Hřídél se závitem	M10	–
Strunová hlava	T25 (struna Ø 2,0–2,4 mm)	574 19 87-01
	R25 (struna Ø 2,0–2,4 mm)	

Pro uvedené modely se doporučují následující nástavce.

Schválené nástavce	Typ	Pro použití s
Nástavec se zametačem	SR600-2	122LK
Nástavec s plotostřihem	HA200	122LK
Nástavec s plotostřihem	HA860	122LK
Nástavec se zarovnávačem okrajů trávníků	ECA850, ESA860	122LK
Nástavec s pilou	PA1100	122LK
Rozšiřující nástavec	EX780	122LK
Nástavec s kultivátorem	CA230	122LK
Nástavec foukače	BA101	122LK
Nástavec se štětinovým kartáčem	BR600	122LK
Nástavec s odmechovačem	DT600	122LK

Prohlášení o shodě

Prohlášení o shodě EU

Společnost Husqvarna AB, SE-561 82 Huskvarna,
Švédsko, tel.: +46-36-146500, zcela zodpovědně
prohlašujeme, že výrobek:

Popis	Benzinový vyžinač / křovinořez
Značka	Husqvarna
Typ/Model	122C, 122LK
Identifikace	Výrobní číslo od roku 2022 a dále

je zcela ve shodě s následujícími směrnici a předpisy
EU:

Nañizení	Popis
2006/42/ES	„o strojních zařizeních“
2014/30/EU	„o elektromagnetické kompatibilitě“
2000/14/ES	„o venkovním hluku“
2011/65/EU	„o omezení používání některých nebezpečných látek“

Byly uplatněny následující normy:

EN ISO 12100:2010, EN ISO 11806-1:2011, ISO
14982:1998, CISPR 12:2007+A1:2009, EN IEC
63000:2018

Společnost RISE SMP Svensk Maskinprovning AB,
Box 7035, SE-750 07 Uppsala, Sweden, provedla
jménem společnosti Husqvarna AB dobrovolnou
typovou zkoušku.

Číslo certifikátů: 122C - SEC/10/2271, 122LK -
SEC/10/2272

Institut RISE SMP Svensk Maskinprovning AB, rovněž
ověřil shodu s dodatkem V směrnice Evropského
parlamentu a Rady 2000/14/ES.

Číslo certifikátů: 122C - 01/164/068, 122LK -
01/164/067.

Huskvarna 2022-05-13



Claes Losdal, manažer výzkumu a vývoje, Husqvarna
AB

Osoba odpovědná za technickou dokumentaci



Indhold

Indledning.....	82	Fejlfinding.....	97
Sikkerhed.....	84	Transport og opbevaring.....	97
Montering.....	88	Tekniske data.....	98
Drift.....	90	Tilbehør.....	99
Vedligeholdelse.....	93	Overensstemmelseserklæring.....	100

Indledning

Produktbeskrivelse

Produktet er en græstrimmer med en forbrændingsmotor.

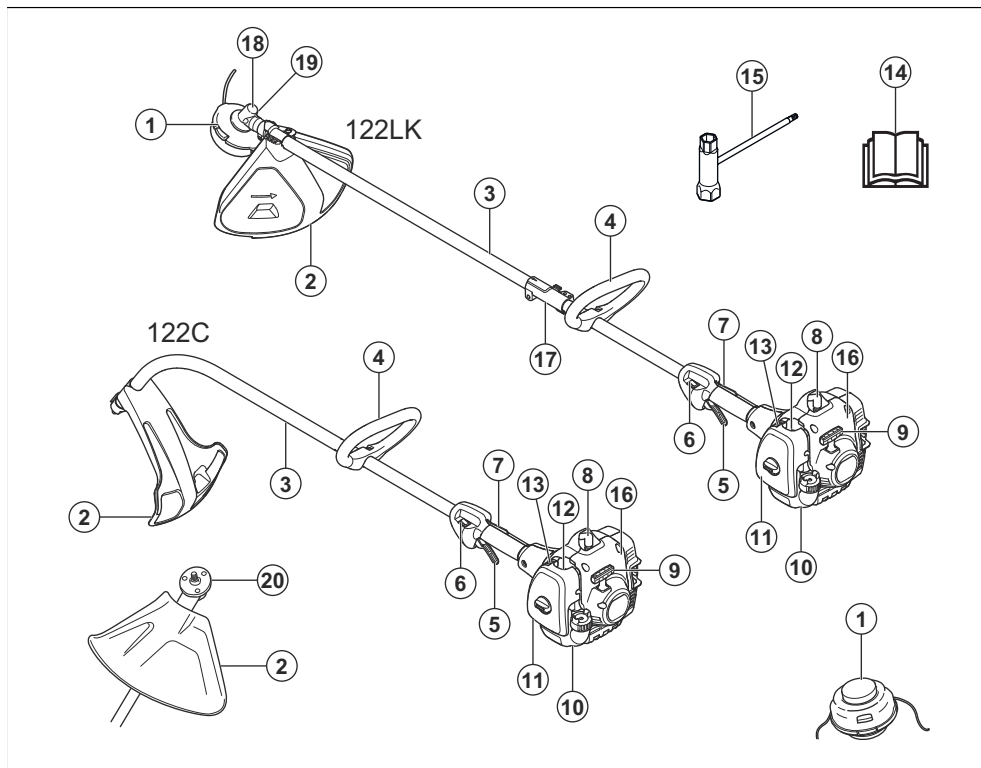
Der arbejdes konstant på at øge din sikkerhed og effektivitet under drift. Spørg serviceforhandleren for at få yderligere oplysninger.

Anvendelsesformål

Produktet bruges med trimmerhoved til at slå græs. Brug ikke produktet til andre opgaver end græstrimming og græsrydning.

Bemærk: National lovgivning kan definere begrænsninger på betjeningen af produktet.

Produktoversigt



1. Trimmerhoved
2. Beskyttelse til skæreudstyr

3. Aksel
4. Loophåndtag

5. Gasregulering
6. Stopkontakt
7. Gasreguleringslås
8. Tændhætte og tændrør
9. Startrebets håndgreb
10. Brændstoftank
11. Luftfilterdæksel
12. Brændstofpumpebold
13. Chokerhåndtag
14. Brugsanvisning
15. Ring- og gaffelnøgle
16. Starterhus
17. Styrestangskobling
18. Vinkelgear
19. Påfyldning af smøremiddel, vinkelgear
20. Medbringerhjul

Symboler på produktet



ADVARSEL! Dette produkt er farligt. Personskade eller død kan forekomme hos brugeren eller personer i nærheden, hvis produktet ikke anvendes forsigtigt og korrekt. For at undgå, at brugeren eller personer i nærheden kommer til skade, skal alle sikkerhedsinstruktioner i brugervejledningen læses og overholdes.



Læs brugsanvisningen omhyggeligt igennem, og sørg for at have forstået instruktionerne, inden du bruger produktet.



Brug en beskyttelseshjelm på steder, hvor du kan få genstande i hovedet. Brug godkendt høreværn. Brug godkendt øjenværn.



Maksimalt omdrejningstal for udgående aksel.



Produktet er i overensstemmelse med gældende EF-direktiver.



Produktet kan forårsage, at genstande slynges ud, hvilket kan forårsage personskade.



Hold en afstand på mindst 15 m til personer og dyr under brug af produktet.



Brug godkendte beskyttelseshandsker.



Brug altid kraftige, skridsikre støvler.



Brug kun en fleksibel skærewire. Brug ikke skæreudstyr af metal.



Mærkat vedrørende emission af støj til omgivelserne i henhold til direktiver og regulativer i EU og Storbritannien og New South Wales' lovgivning om Beskyttelse af miljøet (støjbegrensning) forordning 2017. Produktets garanterede lydeffektniveau er angivet i *Tekniske data* på side 98 og på mærkaten.



Brændstofpumpebold.



Choker.



Dette produkt er i overensstemmelse med gældende UK-bestemmelser.

yyyyywwxxxx

Typeskiltet viser serie-nummeret. **yyyy** er produktionsåret, **ww** er produktionsugen.

Bemærk: Andre symboler/mærkater på produktet henviser til certificeringskrav i andre handelsområder.

Euro V-emissioner



ADVARSEL: Ved manipulation af motoren bortfalder EU-typegodkendelsen af dette produkt.

Kundeservice

Ring til dette nummer for kundeservice: 1-800-487-5951 eller besøg www.husqvarna.com.

Produktansvar

Som nævnt i produktansvarsbestemmelserne hæfter vi ikke for skader forårsaget af vores produkt, hvis:

- produktet er forkert repareret.

- produktet er repareret med dele, der ikke er fra producenten eller ikke er godkendt af producenten
- produktet har tilbehør, der ikke er fra producenten eller ikke er godkendt af producenten.
- produktet ikke er repareret på et godkendt servicecenter eller af en godkendt myndighed.

Sikkerhed

Sikkerhedsdefinitioner

Advarsler, forholdsregler og bemærkninger bruges til at pege på særligt vigtige dele af brugsanvisningen.



ADVARSEL: Bruges, hvis føreren udsætter sig selv eller omkringstående personer for risiko for personskade eller dødsfald ved tilsidesættelse af instruktionerne i brugsanvisningen.



BEMÆRK: Bruges, hvis der er risiko for skader på produktet, andre materialer eller det omgivende område ved tilsidesættelse af instruktionerne i brugsanvisningen.

Bemærk: Bruges til at give yderligere oplysninger, der er nødvendige i en given situation.

Generelle sikkerhedsinstruktioner



ADVARSEL: Læs følgende advarselsinstruktioner, inden du bruger produktet.

- Brug produktet korrekt. Forkert brug kan medføre personskader eller dødsfald. Brug kun produktet til de opgaver, der angives i denne vejledning. Brug ikke produktet til andre opgaver.
- Følg instruktionerne i denne vejledning. Overhold sikkerhedssymboler og sikkerhedsinstruktioner. Hvis operatøren ikke følger vejledningen og symbolerne, kan det medføre personskader, beskadigelse eller dødsfald.
- Smid ikke denne vejledning ud. Brug vejledningen til at samle, betjene og vedligeholde dit produkt. Brug vejledningen til korrekt montering af udstyr og tilbehør. Brug kun godkendt udstyr og tilbehør.
- Brug ikke et beskadiget produkt. Overhold vedligeholdelseskemaet. Udfør kun det vedligeholdelsesarbejde, du kan finde vejledning til i denne vejledning. Et godkendt servicecenter skal udføre alt andet vedligeholdelsesarbejde.
- Denne vejledning beskriver ikke alle situationer, der kan opstå, når du bruger produktet. Vær forsigtig og brug din sunde fornuft. Du må ikke bruge produktet eller foretage vedligeholdelse på produktet, hvis du ikke er sikker på, hvad du skal gøre. Snak med en produktespert, forhandler, et serviceværksted eller et godkendt servicecenter for at få mere at vide.
- Fjern kablet fra tændrøret, før du samler produktet, sætter produktet til opbevaring eller foretager vedligeholdelse.
- Brug ikke produktet, hvis det er blevet ændret fra den oprindelige specifikation. Du må ikke ændre dele af produktet uden producentens godkendelse. Brug kun dele, der er godkendt af producenten. Forkert vedligeholdelse kan medføre personskader eller dødsfald.
- Indånd ikke dampe fra motoren. Langvarig indånding af motorens udstødningsgasser er sundhedsskadelig.
- Start ikke produktet indendørs eller i nærheden af brandfarligt materiale. Udstødningsgasserne er varme og kan indeholde gnister, der kan starte en brand. Utilstrækkelig luftstrøm kan forårsage personskader eller dødsfald på grund af kvælning eller kulilte.
- Motoren danner et elektromagnetisk felt, når du bruger dette produkt. Det elektromagnetiske felt kan beskadige medicinske implantater. Tal med din læge og producenten af det medicinske implantat, før du betjener produktet.
- Lad ikke børn betjene produktet. Lad ikke en person uden kendskab til vejledningen betjene produktet.
- Sørg for at overvåge personer med nedsat fysisk eller mental kapacitet, der bruger produktet. En voksen skal være til stede hele tiden.
- Lås produktet inde i områder, hvor børn og uautoriserede personer ikke kan få adgang.
- Produktet kan slynge genstande ud og forårsage skader. Overhold sikkerhedsinstruktionerne for at mindske risikoen for personskader eller dødsfald.
- Du må ikke gå væk fra produktet, når motoren er tændt.
- Brugeren af produktet er ansvarlig, hvis der sker et uheld.
- Sørg for, at delene ikke er beskadigede, før du bruger produktet.
- Sørg for, at du som minimum er 15 m væk fra andre personer eller dyr, før du bruger produktet. Sørg for, at personer i det nærliggende område ved, at du bruger produktet.
- Overhold nationale eller lokale love. Visse love kan forhindre eller mindske brugen af produktet under nogle forhold.
- Brug ikke produktet, hvis du er træt eller påvirket af alkohol, narkotika eller medicin. Det kan påvirke dit syn, din opmærksomhed, din koordination eller din dømmekraft.

Sikkerhedsinstruktioner til montering

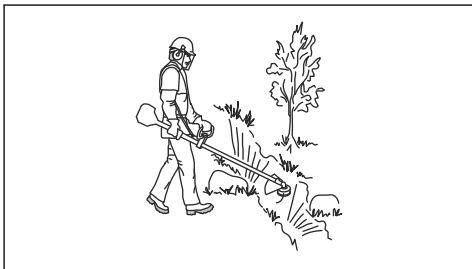


ADVARSEL: Læs følgende advarselsinstruktioner, inden du bruger produktet.

- Fjern tændrørshatten fra tændrøret inden samling af produktet.
- Brug godkendte beskyttelseshandsker.
- Sørg for at samle dækslet og akslen korrekt før start af motoren.

Sikkerhedsinstruktioner for drift

- Sørg for, at produktet er helt samlet, før du bruger det.
- Før du begynder, skal du flytte produktet 3 m væk fra den position, hvor du påfyldte brændstoftanken. Anbring produktet på en plan overflade. Sørg for, at skæreudstyret ikke rører jorden eller andre objekter.
- Produktet kan forårsage, at genstande slynges ud, hvilket kan forårsage skader på øjnene. Anvend altid godkendt øjenværn, når du betjener produktet.
- Vær opmærksom på, at børn kan komme i nærheden af produktet, uden at du ved det, når du betjener produktet.
- Betjen ikke produktet, hvis der er personer i arbejdsområdet. Stop produktet, hvis en person går ind i arbejdsområdet.
- Sørg for, at du altid har kontrol over produktet.
- Brug ikke produktet, hvis du ikke kan få hjælp i tilfælde af en ulykke. Sørg altid for, at andre ved, at du betjener produktet, før du begynder at bruge det.
- Drej ikke med produktet, før du sikrer dig, at ingen mennesker eller dyr er i sikkerhedsområdet.
- Fjern alle uønskede materialer fra arbejdsområdet, før du går i gang. Hvis skæreudstyret rammer en genstand, kan genstanden slynges af sted og forårsage skader. Uønsket materiale kan vikle sig rundt om skæreudstyret og forårsage skader.
- Brug ikke produktet i dårligt vejr (tåge, regn, hård vind, risiko for lynnedslag eller andre vejrforhold). Farlige situationer (f.eks. glatte overflader) kan forekomme på grund af dårligt vejr.
- Sørg for, at du kan bevæge sig frit og arbejde i en stabil stilling



- Sørg for, at du ikke kan falde, når du bruger produktet. Stå ikke skråt, når du bruger produktet.
- Hold altid produktet med to hænder. Hold produktet på højre side af kroppen.



- Betjen produktet med skæreudstyret under bæltetstedet.
- Hvis chokerhåndtaget er i chokerpositionen, når motoren starter, begynder skæreudstyret at dreje.
- Rør ikke vinkelgearet, når motoren stopper. Vinkelgearet er varmt, når motoren stopper. Varme områder kan forårsage skader.
- Stop motoren, før du flytter produktet.
- Sæt ikke produktet ned, mens motoren er tændt.
- Før du fjerner uønsket materiale fra produktet, skal du stoppe motoren og vente, indtil skæreudstyret standser. Sørg for, at skæreudstyret er stoppet, før du eller en hjælper fjerner det afskårne materiale.

Personligt beskyttelsesudstyr



ADVARSEL: Læs følgende advarselsinstruktioner, inden du bruger produktet.

- Brug godkendt personligt beskyttelsesudstyr, når du bruger produktet. Personligt beskyttelsesudstyr udelukker ikke fuldstændigt risikoen for personskader, men det mindsker graden af skaderne i tilfælde af, at der skulle ske en ulykke. Lad forhandleren hjælpe dig med at vælge det rigtige udstyr.
- Brug en sikkerhedshjelm, hvor der er risiko for nedfaldende genstande.
- Brug godkendt hørevern med tilstrækkelig dæmpning. Langvarig eksponering for støj kan medføre permanente høreskader.
- Brug godkendt øjenværn. Hvis du bruger et ansigtssværm, skal du også bruge godkendte beskyttelsesbriller. Godkendte beskyttelsesbriller skal være i overensstemmelse med den amerikanske standard ANSI Z87.1 eller EU-standard EN 166.
- Brug et visir til ansigtsbeskyttelse. Et visir er ikke nok til at beskytte øjnene.



- Brug om nødvendigt beskyttelseshandsker, f.eks. ved montering, eftersyn og rengøring af skæreudstyret.
- Brug skridsikre og stabile støvler.
- Brug beklædning, der er lavet af et stærkt materiale. Brug altid kraftige lange bukser og lange ærmer. Brug ikke løstsiddende tøj, som kan sætte sig fast i buske og grene. Undgå smykker, shorts og sandaler, og gå ikke barfodet. Sæt håret op i en sikker højde, dvs. over skulderen.



- Sørg for at have førstehjælpsudstyr ved hånden.



Sikkerhedsanordninger på produktet

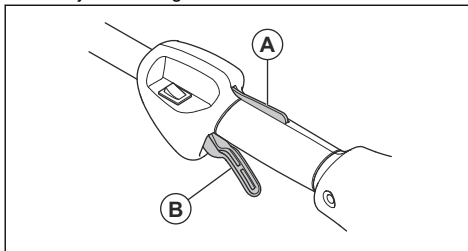


ADVARSEL: Læs følgende advarselinstruktioner, inden du bruger produktet.

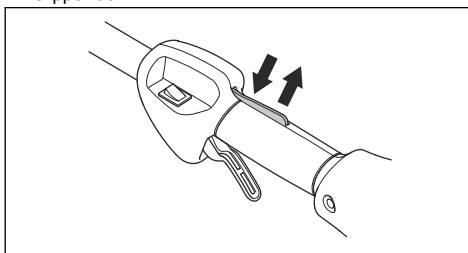
- Brug ikke et produkt med defekte sikkerhedsanordninger.
- Kontrollér sikkerhedsanordningerne regelmæssigt. Se *Vedligeholdelsesskema på side 94*.
- Hvis sikkerhedsanordningerne er defekte, skal du henvende dig til din Husqvarna-serviceforhandler.

Sådan kontrolleres gasreguleringslåsen

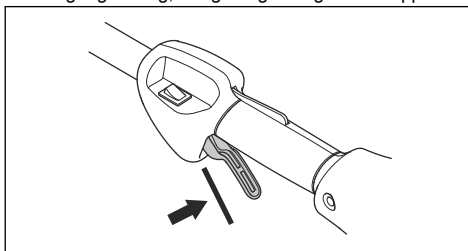
1. Kontrollér, at gasreguleringslåsen (A) og gasreguleringen (B) bevæger sig frit, og at returfjederen fungerer korrekt.



2. Skub låsen på gasreguleringslåsen ned, og sørg for, at den går tilbage til sin oprindelige position, når du slipper den.



3. Kontrollér, at gasreguleringen er låst i tomgangsstilling, når gasreguleringslåsen slippes.



4. Start motorsaven og giv fuld gas.
5. Slip gasreguleringen, og sørg for, at knivene standser, og at de bliver stående stille.

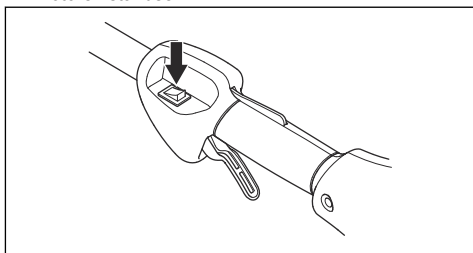


ADVARSEL: Hvis knivene bevæger sig med gasreguleringen i tomgangsstilling, skal karburatorens tomgangshastighed justeres. Se *Sådan justerer du tomgangshastigheden på side 94*.

Sådan kontrolleres stopkontakten

1. Start motoren.

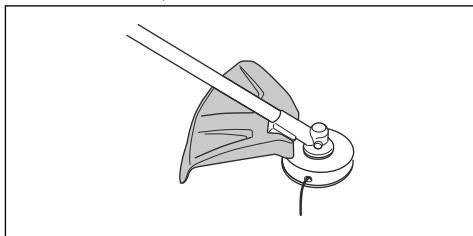
2. Flyt stopkontakten til stoppositionen, og se efter, om motoren standser.



Sådan kontrolleres skæreudstyrsskærmen

Skæreudstyrsskærmen standser genstande, som udkastes i retning af brugeren. Den forhindrer også skader, som kunne opstå, hvis du berører skæreudstyret.

1. Stop motoren.
2. Se efter skader, f.eks. revner.



3. Udskift skæreudstyrsskærmen, hvis den er beskadiget.

Lyddæmper

- Brug ikke motoren med en defekt lyddæmper. En defekt lyddæmper øger støjniveauet og risikoen for brand. Hav en brandslukker i nærheden.
- Undersøg regelmæssigt, om lyddæmperen er fastgjort til produktet.
- Rør ikke ved motoren eller lyddæmperen, når motoren er tændt. Rør ikke ved motoren eller lyddæmperen et stykke tid, efter at motoren stopper. Varme overflader kan medføre personskader.
- En varm lyddæmper kan forårsage brand. Vær forsigtig, hvis du bruger produktet i nærheden af brændbare væsker eller gasser.
- Rør ikke delene i lyddæmperen, hvis lyddæmperen er beskadiget. Delene kan indeholde visse kræftfremkaldende kemikalier.

Skæreudstyr



ADVARSEL: Læs følgende advarselsinstruktioner, inden du bruger produktet.

- Foretag regelmæssig vedligeholdelse. Lad et godkendt servicecenter regelmæssigt undersøge skæreudstyret og udfør justeringer eller reparationer.
 - Skæreudstyrets ydeevne øges.
 - Skæreudstyrets levetid øges.
 - Risikoen for ulykker mindskes.
- Brug kun godkendt beskyttelse til skæreudstyr. Se *Tilbehør på side 99*.
- Brug ikke beskadiget skæreudstyr.

Brændstofsikkerhed



ADVARSEL: Læs følgende advarselsinstruktioner, inden du bruger produktet.

- Bland ikke brændstof indendørs eller i nærheden af en varmekilde.
- Start ikke produktet, hvis der er brændstof eller motorolie på produktet. Fjern uønsket brændstof/olie og lad produktet tørre. Fjern uønsket brændstof fra produktet.
- Hvis du får brændstof på dit tøj, skal du skifte tøj med det samme.
- Undgå at få brændstof på kroppen, da det kan forårsage personskader. Hvis du får brændstof på kroppen, skal du bruge sæbe og vand til at fjerne brændstoffet.
- Start ikke motoren, hvis du får olie eller brændstof på produktet eller på din krop.
- Start ikke produktet, hvis motoren lækker. Undersøg regelmæssigt motoren for lækager.
- Vær forsigtig med brændstof. Brændstof er letantændeligt og dampe er eksplosive og kan medføre personskader eller dødsfald.
- Undgå at indånde brændstoffordampene, da det kan forårsage personskader. Sørg for, at der er tilstrækkelig luftstrøm.
- Ryg ikke i nærheden af brændstof eller motor.
- Anbring ikke varme genstande i nærheden af brændstof eller motor.
- Fyld ikke brændstof på, når motoren er tændt.
- Sørg for, at motoren er afkølet, inden du fylder brændstof på.
- Før du fylder brændstof på, skal du åbne brændstofftankens dæksel langsomt og forsigtigt udløse trykket.
- Sørg for tilstrækkelig luftstrøm ifm. påfyldning og blanding af brændstof (benzin og totaktsolie) eller aftapning af brændstofftanken.
- Brændstof og brændstoffdampe er meget brandfarlige og kan give alvorlige skader ved indånding eller kontakt med huden. Vær derfor forsigtig ved håndtering af brændstof, og sørg for tilstrækkelig luftstrøm ved brændstoffhåndtering.
- Spænd dækslet på brændstofftanken omhyggeligt, ellers kan der opstå brand.

- Flyt produktet minimum 3 m fra det sted, hvor du fyldte tanken, før du starter det.
- Fyld ikke for meget brændstof i brændstoftanken.
- Sørg for, at der ikke er lækager, når du flytter produktet eller brændstofdunken.
- Anbring ikke produktet eller en brændstofdunk på steder med åben ild, gnister eller tændflammer. Sørg for, at der ikke er åben ild i opbevaringsområdet.
- Brug kun godkendte tanke, når du flytter brændstoffet eller sætter det til opbevaring.
- Tøm brændstoftanken før langtidsopbevaring. Overhold lokal lovgivning om bortskaffelse af brændstof.
- Rengør produktet før langtidsopbevaring.
- Fjern kablet fra tændhætten inden opbevaring for at sikre, at motoren ikke starter utilsigtet.

Sikkerhedsinstruktioner for vedligeholdelse



ADVARSEL: Læs følgende advarselsinstruktioner, inden du bruger produktet.

- Stop motoren, og kontrollér, at skæreudstyret standser, og lad produktet køle af, før du udfører vedligeholdelsen.
- Afmonter tændhætten, før du udfører vedligeholdelsen.

- Udstødningsgasserne fra motoren indeholder kuliite, som er en lugtfri, giftig og meget farlig gasart, som kan medføre dødsfald. Undlad at tænde produktet indendørs eller i lukkede rum.
- Motorens udstødningsgasser er varme og kan indeholde gnister. Lad ikke produktet køre indendørs eller i nærheden af brandfarligt materiale.
- Tilbehør til og ændringer på produktet, som ikke er godkendt af producenten, kan medføre alvorlig personskade eller dødsfald. Undlad at ændre produktet. Brug altid originalt tilbehør.
- Hvis vedligeholdelsen ikke udføres korrekt og regelmæssigt, øges risikoen for personskade og beskadigelse af produktet.
- Foretag kun den form for vedligeholdelse, der er angivet i denne brugervejledning. Lad et Husqvarna-godkendt serviceværksted udføre alle andre former for service.
- Lad et Husqvarna-godkendt serviceværksted foretage regelmæssig service af produktet.
- Udskift beskadigede, slidte eller defekte dele.
- Se anvisningerne til skæreudstyret for at se den korrekte procedure for indføring af line og valg af korrekt diameter for line.
- Hold klingens skæretænder i god stand og med korrekt skærpnings. Følg vore anbefalinger. Se også instruktionerne på klingeemballagen.

Montering

Indledning



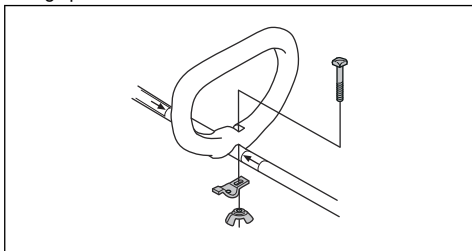
ADVARSEL: Inden brug af produktet skal du læse og forstå kapitlet om sikkerhed.



ADVARSEL: Fjern tændrørskablet fra tændrøret inden samling af produktet.

Sådan fastgør du loophåndtaget

1. Sæt loophåndtaget på skaftet som vist på tegningen, og spænd det.

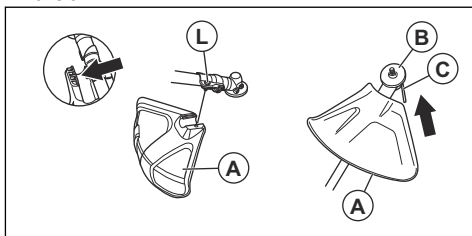


2. Sørg for, at loophåndtaget sættes fast mellem pilene på akslen.

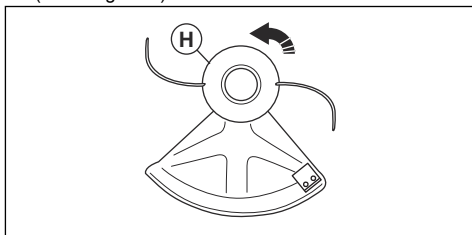
Sådan fastgør du beskyttelsen til skæreudstyret og trimmerhovedet (lige aksel)

1. Fastgør beskyttelsen til skæreudstyret (A) på akslen med bolt (L).
2. Fastgør medbringerhjulet (B) på den udgående aksel.
3. Drej den udgående aksel rundt, indtil hullet i medbringerhjulet flugter med det tilsvarende hul i gearhuset.

4. Sæt en lille skruetrækker (C) ind i hullet for at låse akslen.

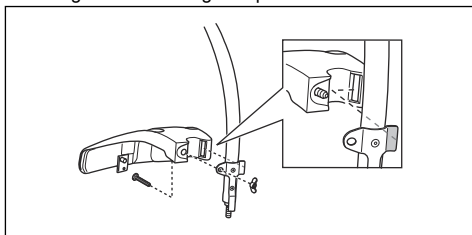


5. Drej trimmerhovedet (H) mod uret for at spænde trimmerhovedet fast på gearkassen. (Venstregevind).

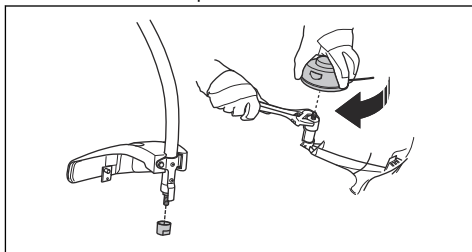


Sådan fastgør du beskyttelsen til skæreudstyret og trimmerhovedet (buet aksel)

1. Fastgør afskærmningen. Spænd møtrikken.



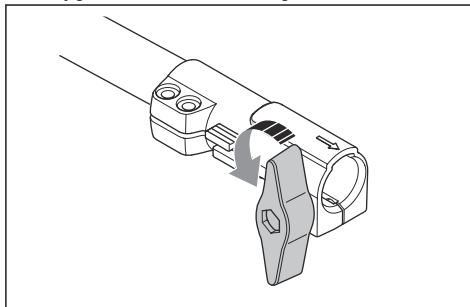
2. Monter støvhætten på akslen.



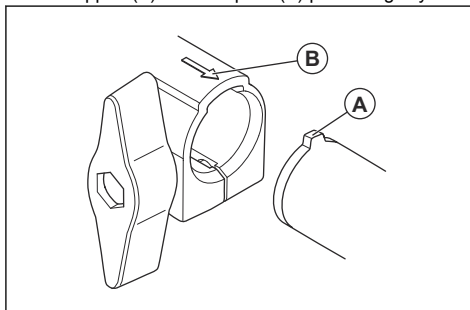
3. Hold fast på støvhætten med en skruenøgle for at sikre, at akslen ikke drejer rundt.
4. Fastgør trimmerhovedet på akslen. Drej trimmerhovedet med uret.

Sådan monterer du den todeltede aksel

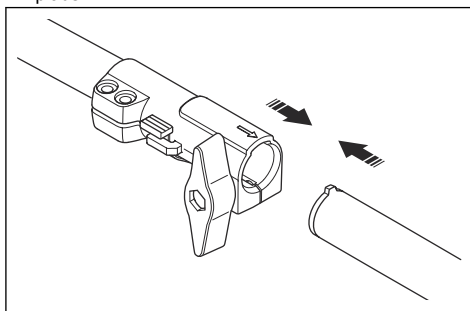
1. Drej grebet for at løsne koblingen.



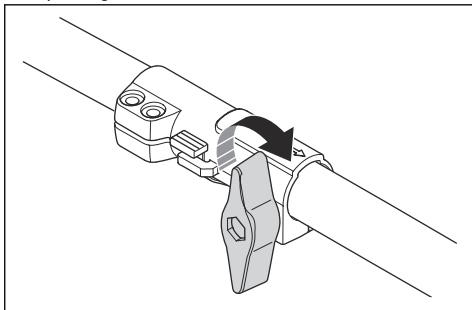
2. Ret tappen (A) ind efter pilen (B) på koblingsstykket.



3. Skub akslen ind i koblingen, indtil den klikker på plads.

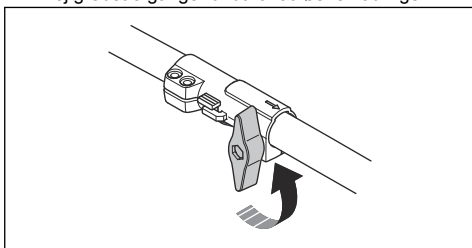


4. Spænd grebet helt.



Sådan afmonterer du den todelte aksel

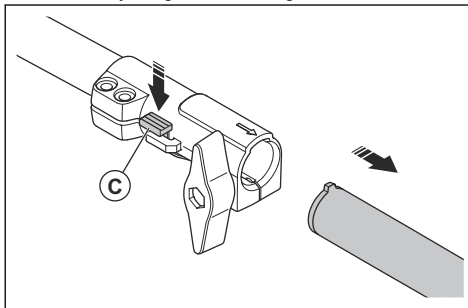
1. Drej grebet 3 gange rundt for at løsne koblingen.



2. Tryk på knappen (C), og hold den inde.

3. Hold fast i den ende af akslen, som motoren er tilsluttet.

4. Træk udstyret lige ud af koblingen.



Drift

Indledning



ADVARSEL: Før du bruger produktet, skal du læse og forstå kapitlet om sikkerhed.

Brændstof

Dette produkt har en totaktsmotor.



BEMÆRK: Forkert brændstof kan medføre beskadigelse af motoren. Brug en blanding af benzin og totaktsolie.

Forblandet brændstof

- Brug Husqvarna forblandet alkylatbenzin – det giver det bedste resultat og forlænger af motorens levetid. Dette brændstof indeholder færre skadelige kemikalier sammenlignet med almindeligt brændstof, hvilket reducerer skadelige udstødningsgasser. Mængden af rester efter forbrændingen er lavere med dette brændstof, som holder komponenterne i motoren mere rene.

Sådan blandes brændstof

Benzin

- Brug blyfri benzin af god kvalitet med et ethanolindhold på maks. 10 %.



BEMÆRK: Brug ikke benzin med et oktantal mindre end 90 RON/87 AKI. Brug af et lavere oktantal kan forårsage motorbanken, hvilket beskadiger motoren.

Totaktsolie

- De bedste resultater opnås ved anvendelse af Husqvarna-totaktsolie.
- Hvis du ikke kan få fat i Husqvarna-totaktsolie, kan du også bruge en anden totaktsolie af høj kvalitet, som er beregnet til luftkølede motorer. Tal med din serviceforhandler om valg af den korrekte olie.



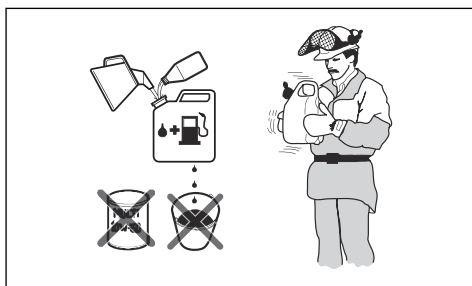
BEMÆRK: Brug aldrig totaktsolie til vandafkølede udenbordsmotorer, såkaldt outboardoil. Brug ikke olie beregnet til firetaktsmotorer.

Sådan blandes benzin og totaktsolie

Benzin, liter	Totaktsolie, liter
	2 % (50:1)
5	0,10
10	0,20
15	0,30
20	0,40



BEMÆRK: Små fejl kan påvirke forholdet i blandingen drastisk, hvis du blander små mængder brændstof. Mål omhyggeligt mængden af olie, og sørg for, at du får den rigtige blanding.



1. Fyld halvdelen af mængden af benzin i en ren beholder til brændstof.
2. Tilføj al olien.
3. Ryst brændstofblanding.
4. Hæld den resterende mængde over i beholderen.
5. Ryst brændstofblanding omhyggeligt.



BEMÆRK: Bland ikke brændstof til mere end 1 måned ad gangen.

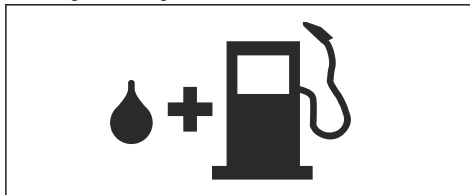
Sådan fyldes brændstoftanken



ADVARSEL: Følg nedenstående fremgangsmåde for din egen sikkerheds skyld.

1. Stands motoren, og lad den blive kold.

2. Rengør omkring brændstoftankens dæksel.



3. Ryst beholderen, og sørg for, at brændstoffet er helt blandet.
4. Afmonter brændstoftankens dæksel langsomt for at aflaste trykket.
5. Fyld brændstoftanken.



BEMÆRK: Sørg for, at der ikke er for meget brændstof i tanken. Brændstoffet udvider sig, når det bliver varmt.

6. Spænd brændstoftankens dæksel helt.
7. Afrens spildt brændstof på og omkring produktet.
8. Flyt produktet mindst 3 m/10 fod væk fra tankningsstedet og -kilden, inden det startes.

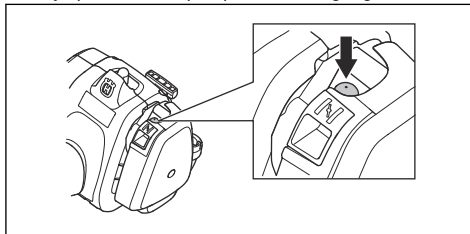
Bemærk: Se *Produktoversigt på side 82* for at se, hvor brændstoftanken sidder på produktet.

Følgende undersøges før start

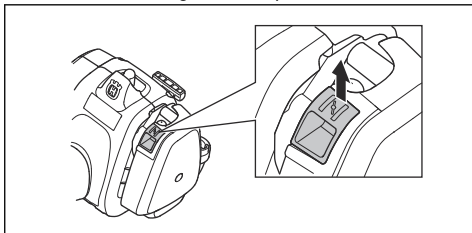
1. Sørg for, at produktet ikke har nogen manglende, beskadigede, løse eller slidte dele.
2. Sørg for, at møtrikker, skruer og bolte er strammede.
3. Sørg for, at trimmerhovedet ikke er beskadiget.
4. Sørg for, at luftfilteret ikke er tilstoppet.
5. Sørg for, at sikkerhedsanordningerne på produktet ikke er defekte.
6. Sørg for, at produktet ikke har nogen brændstoftilførselsproblemer.

Sådan starter du en kold motor

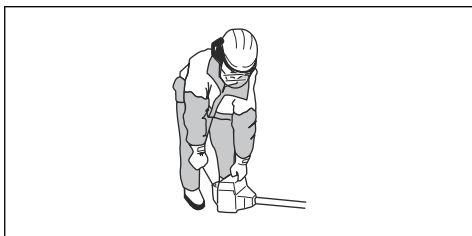
1. Tryk på brændstofpumpebolden 10 gange.



2. Stil chokerhåndtaget i chokerposition.



3. Hold hoveddelen af produktet på jorden med venstre hånd.



BEMÆRK: Træd ikke på produktet.

4. Træk langsomt i startsnorens håndtag med højre hånd, indtil du mærker modstand. Træk derefter hurtigt og kraftigt i startsnorens håndtag, indtil motoren starter eller forsøger at starte.



ADVARSEL: Vikl aldrig startsnoren rundt om hånden.

5. Stil chokerhåndtaget i driftsposition.
6. Hvis motoren starter, skal du trykke let på gasreguleringen og lade motoren køre i 60 sekunder, så den bliver varm. Hvis motoren ikke starter, skal du trække i startsnorens håndtag, indtil motoren starter. Tryk derefter let på gasreguleringen, og lad motoren køre i 60 sekunder, så den bliver varm.



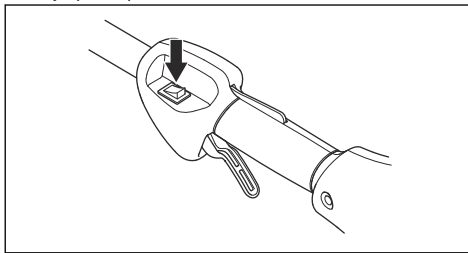
BEMÆRK: Træk ikke startsnoren helt ud, og slip ikke startsnorens håndtag. Det kan forårsage skader på produktet. Slip startsnoren langsomt.

Sådan starter du en varm motor

1. Tryk på brændstofpumpebolden 10 gange.
2. Træk i startrebet, indtil motoren starter.

Sådan standses produktet

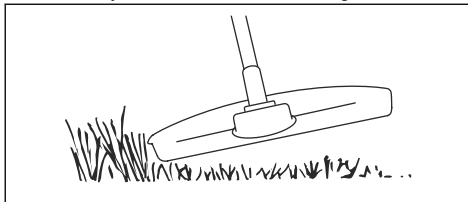
- Tryk på stopkontakten for at standse motoren.



Bemærk: Stopkontakten vender automatisk tilbage til dens oprindelige position.

Sådan trimmes græsset

1. Hold trimmerhovedet lige over jorden, og hold det i vinkel. Tryk ikke trimmertråden ned i græsset.



2. Reducer længden af trimmertråden med 10-12 cm / 4-4,75 tommer.
3. Reducer motorhastigheden for at mindske risikoen for skader på planterne.
4. Brug 80 % gas, når du klipper græs nær genstande.



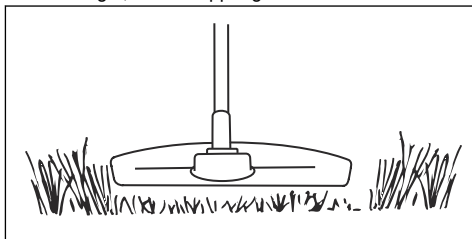
Sådan ryddes græs med en græsklinge

1. Græsklinger og græsknive må ikke anvendes til træagtige stilke.
2. Til alle former for højt eller kraftigt græs anvendes en græsklinge.
3. Græs mejes ned fra side til side, hvor bevægelsen fra højre mod venstre kaldes rydningslaget, og bevægelsen fra venstre mod højre kaldes returslaget. Lad klingens venstre side (placeret mellem klokken 8 og 12) udføre skærearbejdet.

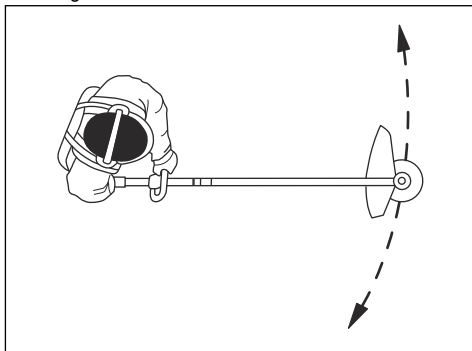
4. Hvis klingen vippes lidt mod venstre under græsrydning, samles græsset i en stribe, som gør opsamlingsarbejdet lettere, f.eks. med en rive.
5. Sørg for at arbejde rytmisk. Stå stabilt med fødderne let spredte. Ryk fremad efter returslaget, og stil dig igen stabilt.
6. Lad støttekoppen hvile let mod jorden. Den bruges til at beskytte klingens mod belægning af jord.
7. Nedsæt risikoen for, at materiale vikler sig rundt om klingens ved altid at arbejde med fuld gas og undgå tidligere afskåret materiale under returslaget.
8. Stands motoren, løs selen, og placer maskinen på jorden, inden du opsamlere det afskårne materiale.

Sådan klippes græsset

1. Sørg for, at trimmertråden er parallel med underlaget, når du klipper græsset.



2. Skub ikke trimmerhovedet ned mod jorden. Det kan forårsage skader på produktet.
3. Flyt produktet fra side til side, når du slår græs. Brug fuld gas.



Sådan fejers græsset

Luftstrømmen fra den roterende trimmertråd kan bruges til at fjerne det afskårne græs fra et område.

1. Hold trimmerhovedet og trimmertråden parallel med jorden og over jorden.
2. Giv fuld gas.
3. Flyt trimmerhovedet fra side til side og fej græsset.



ADVARSEL: Rens trimmerhovedets dæksel, hver gang du monterer en ny trimmertråd for at undgå uligevægt og vibrationer i håndtagene. Efterse også regelmæssigt andre dele af trimmerhovedet, og rens dem om nødvendigt.

Græstrimmerhoved

- Sørg for, at du vikler græstrimmertråden stramt og jævnt rundt om tromlen for at mindske vibrationer.
- Brug kun godkendte græstrimmerhoveder og græstrimmertråde. Se *Tilbehør på side 99*.
- Brug korrekt længde græstrimmertråd. En lang græstrimmertråd bruger mere motorkraft end en kort græstrimmertråd.
- Sørg for, at kniven på beskyttelsen til skæreudstyret ikke er beskadiget.
- Læg græstrimmertråden i vand i 2 dage, før du fastgør græstrimmertråden til produktet. Dette øger græstrimmertrådens levetid.
- Se anvisningerne til skæreudstyret for korrekt indføring af line og valg af korrekt diameter for line.

Vedligeholdelse

Indledning



ADVARSEL: Inden der foretages vedligeholdelse, skal du læse og forstå kapitlet om sikkerhed.

Alt service- og reparationsarbejde på produktet kræver specialuddannelse. Vi garanterer faglig korrekt reparation og service. Hvis forhandleren ikke er et serviceværksted, kan vedkommende oplyse om nærmeste serviceværksted.

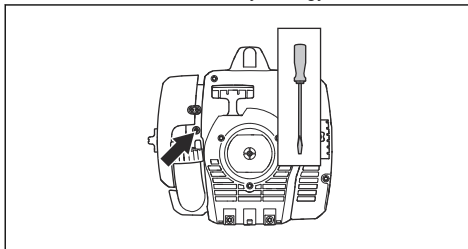
Vedligeholdelsesskema

Vedligeholdelse	Hver dag	Ugentligt	Månedligt
Rens de udvendige flader.	X		
Rens luftfilteret. Udskift dem, hvis det er nødvendigt.	X		
Undersøg gasreguleringsspærren og gasreguleringens funktion.	X		
Undersøg stopkontakten.	X		
Undersøg afskærmningerne.	X		
Undersøg trimmerhovedet.	X		
Undersøg låsemøtrikken.	X		
Undersøg, om der er brændstoftækager.	X		
Sørg for, at græsklingen er afstemt med midten, at den er skærpet og er fri for skader på klingene og midterhullet.	X		
Sørg for, at skæreudstyret ikke roterer i tomgang.	X		
Smør fedt på den todelte aksel.		X	
Undersøg starthåndtaget og startsnoren.		X	
Undersøg vinkelgearfedtet.		X	
Rengør tændrøret udvendigt. Fjern tændrøret, og mål elektrodeafstanden. Juster elektrodeafstanden, eller udskift tændrøret.		X	
Rens kølesystemet.		X	
Rengør eller udskift gnistfangerskærmen på lyddæmperen.		X	
Rens karburatorens udvendige flader og området omkring den.		X	
Undersøg brændstoffilteret for forurening.			X
Undersøg brændstofslangen for skader.			X
Undersøg alle kabler og tilslutninger.			X
Undersøg koblingen, koblingsfjedrene og koblingstromlen for slitage.			X
Udskift tændrøret.			X

Sådan justerer du tomgangshastigheden

Sørg for, at luftfilteret er rent og at luftfilterdækslet er fastgjort, før du justerer tomgangshastigheden.

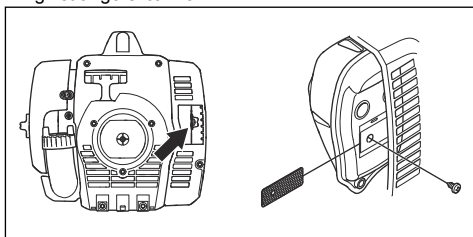
1. Drej tomgangsskruen, som er mærket med et "T", med uret, indtil skæreudstyret begynder at rotere.



2. Drej tomgangsskruen, som er mærket med et "T", mod uret, indtil skæredstyret stopper.
3. Omdrejningstallet i tomgang skal være under den hastighed, hvor skæredstyret begynder at rotere. Tomgangshastigheden er korrekt, når motoren kører jævnt i alle positioner.

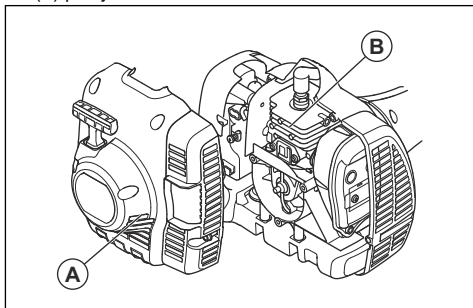
Sådan foretager du vedligeholdelse på gnistfangerskærmen

- Brug en stålbørste til at rengøre gnistfangerskærmen.



Sådan renser du kølesystemet

- Rengør luftindtaget (A) på starteren og køleribberne (B) på cylinderen med en børste.



Sådan undersøger du tændrøret

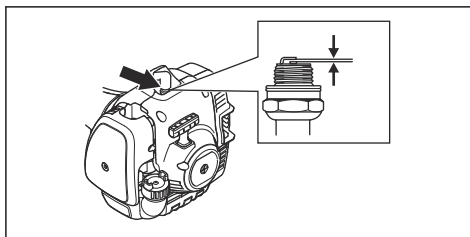


BEMÆRK: Brug det anbefalede tændrør. Sørg for, at reservedelen er den samme som den vare, der leveres af producenten. Et forkert tændrør kan medføre skader på produktet. Sørg for, at tændrøret monteres med radiostøjdæmpning. Spørg serviceforhandleren for at få yderligere oplysninger.

1. Undersøg tændrøret hvis:
 - a) motorens effekt er lav.
 - b) motoren ikke er nem at starte.
 - c) motoren ikke fungerer korrekt i tomgangshastighed.

2. Hvis motoren ikke er nem at starte og køre, skal du undersøge tændrøret for uønskede materialer. Sådan mindsker du risikoen for uønsket materiale på tændrørets elektroder:
 - a) sørg for, at tomgangshastigheden er indstillet korrekt.
 - b) sørg for, at brændstofblandingen er korrekt.
 - c) sørg for, at luftfilteret er rent.

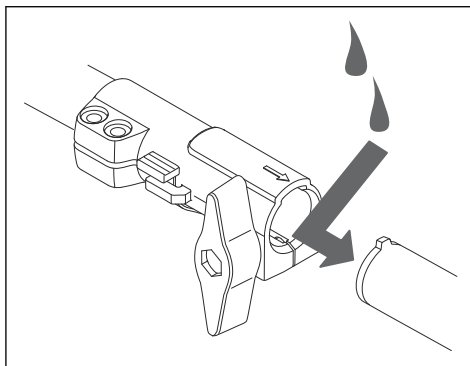
3. Rengør tændrøret, hvis det er snavset. Sørg for, at elektrodeafstanden er korrekt. Se *Tekniske data på side 98*.



4. Udskift tændrøret, når det er nødvendigt.

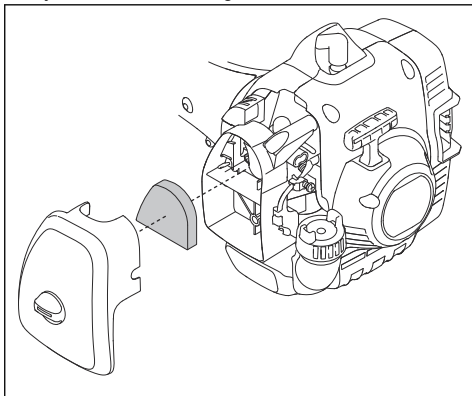
Sådan smører du fedt på den todelte aksel

- Smør fedt på enden af drivakslen efter 30 timers drift.



Rengøring af luftfilteret

1. Fjern luftfilterdækslet og luftfiltret.



2. Rens luftfilteret med varmt sæbevand. Sørg for, at luftfilteret er tørt, før du sætter det i igen.
3. Udskift luftfilteret, hvis det er for beskidt til at rengøres helt. Udskift altid et beskadiget luftfilter.
4. Hvis produktet har et skumluftfilter, skal du påføre luftfilterolie. Anvend kun luftfilterolie til et skumfilter. Anvend ikke olie i et filfilter.

Sådan påfører du luftfilterolie i et luftfilter

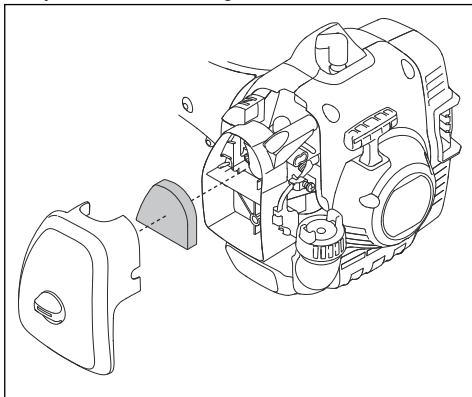


BEMÆRK: Brug altid særlig luftfilterolie til skumluftfiltre. Brug ikke andre typer olie.

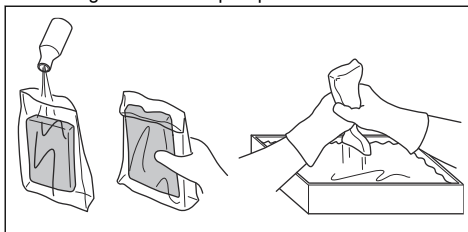


ADVARSEL: Undgå at få olie på din krop.

1. Fjern luftfilterdækslet og luftfiltret.



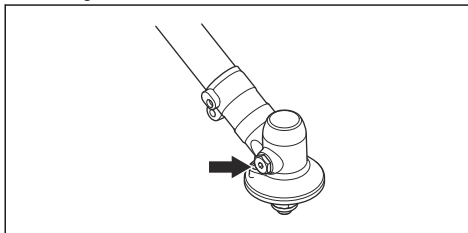
2. Anbring luftfilteret i en plastpose.
3. Anbring luftfilterolien i plastposen.



4. Skub til plastposen for at sikre, at olien er påført jævnt på luftfilteret.
5. Tryk på luftfilteret, mens det er i posen, for at fjerne luftfilterolie, der ikke skal bruges. Tag luftfilteret ud af posen.
6. Sæt luftfilteret i.

Sådan påfører du fedt på vinkelgearet

- Sørg for, at vinkelgearet er fyldt 3/4 op med vinkelgearfedt.



Fejlfinding

Motoren starter ikke

Kontrollér	Mulig årsag	Fremgangsmåde
Starthager.	Starthagerne kan ikke bevæge sig frit.	Fjern starterdækslet, og rens rundt om starthagerne.
		Lad en godkendt serviceforhandler hjælpe dig.
Brændstoftank.	Forkert brændstoftype.	Tøm brændstoftanken, og påfyld det rigtige brændstof.
Tændrør.	Tændrøret er snavset eller vådt.	Sørg for, at tændrøret er tørt og rent.
	Tændrørets elektrodeafstand er forkert.	Rens tændrøret. Sørg for, at elektrodeafstanden er korrekt. Sørg for, at tændrøret har en støjdæmpningsenhed. Se <i>Tekniske data på side 98</i> for korrekt elektrodeafstand.
	Tændrøret er løst.	Spænd tændrøret.

Motoren starter, men stopper igen

Kontrollér	Mulig årsag	Fremgangsmåde
Brændstoftank	Forkert brændstoftype.	Tøm brændstoftanken, og påfyld det rigtige brændstof.
Luftfilter	Luftfilteret er tilstoppet.	Rens luftfilteret.

Transport og opbevaring

- Lad altid produktet køle af, før det stilles væk.
- Ved opbevaring og transport af produktet og brændstoffet, skal du sørge for, at der ikke er utætheder eller dampe. Gnister eller åben ild, f.eks. fra elektriske enheder eller kedler, kan starte en brand.
- Brug altid godkendte beholdere til opbevaring og transport af brændstof.
- Tøm brændstoftanken før transport eller langtidsofopbevaring. Bortskaf brændstoffet på en lokal miljøstation.
- Fastgør transportbeskyttelsen under transport og opbevaring.
- Fjern tændhætten fra tændrøret.
- Fastspænd produktet under transporten. Sørg for, at det ikke kan rykke sig.
- Rens og udfør service på produktet inden langtidsofopbevaring.

Tekniske data

Tekniske data

	122C	122LK
Motor		
Cylindervolumen, cm ³	21,7	21,7
Omdrejningstal i tomgang, o/min.	2900	2900
Anbefalet maks. hastighed, o/min.	7200	9100
Omdrejningstal på udgående aksel, o/min	7200	6232
Strøm/maks. motoreffekt iht. ISO 8893, kW/ o/min	0,6/0,8 ved 7800	0,6/0,8 ved 7800
Lyddæmper med katalysator	Ja	Ja
Omdrejningstalreguleret tændingssystem	Nej	Nej
Tændingssystem		
Tændrør	HQT-4 672201	HQT-4 672201
Elektrodeafstand, mm	0,5	0,5
Brændstofsysteem		
Brændstoftankens kapacitet, l/cm ³	0,3/300	0,3/300
Vægt		
Vægt uden benzin, skæreudstyr og beskyttelse, kg	4,4	4,8
Støjmissioner ¹³		
Lydeffektniveau, målt, dB(A)	102	104
Lydeffektniveau, garanteret (L _{WA}), dB(A)	104	108
Støjniveauer ¹⁴		
Ækvivalent lydtrykniveau ved brugerens ører målt i henhold til EN/ISO 11806 og ISO 22868, dB(A):	88	90
Vibrationsniveauer ¹⁵		
Ækvivalent vibrationsniveau (a _{hv, eq}), udstyret med trimmerhoved, venstre håndtag, m/s ²	5,0	3,6
Ækvivalent vibrationsniveau (a _{hv, eq}), udstyret med trimmerhoved, højre håndtag, m/s ²	3,6	3,5

¹³ Emission af støj til omgivelserne målt som lydeffekt (L_{WA}) i henhold til EF-direktiv 2000/14/EF. Rapporteret lydeffektniveau for produktet er målt med det originale skæreudstyr, der giver det højeste niveau. Forskellen mellem garanteret og målt lydeffekt er, at den garanterede lydeffekt også omfatter spredning i måleresultatet og variationerne mellem forskellige produkter af samme model i henhold til direktivet 2000/14/EF.

¹⁴ Rapporterede data for ækvivalent lydtrykniveau for produktet har en typisk statistisk spredning (standardafvigelse) på 1 dB(A).

¹⁵ Rapporterede data for ækvivalent vibrationsniveau har en typisk statistisk spredning (standardafvigelse) på 1 m/s².

Tilbehør

Tilbehør

122C		
Godkendt tilbehør	Type	Skæredstyrsskærm
Gevindstykke	3/8 R	–
Trimmerhoved	T25 (Ø 2,0 - 2,4 mm snor)	574 47 95-01
	T25C (Ø 2,0 - 2,7 mm snor)	
	R25 (Ø 2,0 - 2,4 mm snor)	
122LK		
Godkendt tilbehør	Type	Skæredstyrsskærm
Gevindstykke	M10	–
Trimmerhoved	T25 (Ø 2,0 - 2,4 mm snor)	574 19 87-01
	R25 (Ø 2,0 - 2,4 mm snor)	

Følgende tilbehør anbefales til nedenstående modeller.

Godkendt tilbehør	Type	Anvendes til
Børstetilbehør	SR600-2	122LK
Hækkeklippertilbehør	HA200	122LK
Hækkeklippertilbehør	HA860	122LK
Kantskærertilbehør	ECA850, ESA860	122LK
Savtilbehør	PA1100	122LK
Forlængerudstyr	EX780	122LK
Kultivatortilbehør	CA230	122LK
Blæsertilbehør	BA101	122LK
Børsteudstyr	BR600	122LK
Vertikalskærertilbehør	DT600	122LK

Overensstemmelseserklæring

EU-overensstemmelseserklæring

Vi, Husqvarna AB, SE-561 82 Huskvarna, Sverige,
tlf.: +46-36-146500 erklærer under eneansvar, at det
pågældende produkt:

Beskrivelse	Benzingræstrimmer/buskrydder
Varemærke	Husqvarna
Type / model	122C, 122LK
Identifikation	Serienumre fra 2022 og fremefter

overholder følgende EU-direktiver og bestemmelser:

Regulativ	Beskrivelse
2006/42/EF	"vedrørende maskiner"
2014/30/EU	"vedrørende elektromagnetisk kompatibilitet"
2000/14/EF	"vedrørende udendørs støj"
2011/65/EU	"begrænsning af anvendelsen af visse farlige stoffer"

Der er anvendt følgende standarder:

EN ISO 12100:2010, EN ISO 11806-1:2011, ISO
14982:1998, CISPR 12:2007+A1:2009, EN IEC
63000:2018

RISE SMP Svensk Maskinprovning AB, Box 7035,
SE-750 07 Uppsala, Sweden, har foretaget frivillig
typegodkendelse for Husqvarna AB.

Certifikaterne har numrene: 122C - SEC/10/2271,
122LK - SEC/10/2272

RISE SMP Svensk Maskinprovning AB, har også
bekræftet overensstemmelse med Bilag V til Rådets
direktiv 2000/14/EF.

Certifikaterne har numrene: 122C - 01/164/068, 122LK -
01/164/067.

Huskvarna 2022-05-13



Claes Losdal, R&D Manager, Husqvarna AB
Ansvarlig for teknisk dokumentation



Inhalt

Einleitung.....	101	Fehlerbehebung.....	117
Sicherheit.....	103	Transport und Lagerung.....	118
Montage.....	108	Technische Angaben.....	118
Betrieb.....	110	Zubehör.....	119
Wartung.....	114	Konformitätserklärung.....	121

Einleitung

Produktbeschreibung

Das Gerät ist ein Rasentrimmer mit einem Verbrennungsmotor.

Wir arbeiten laufend daran, Ihre Sicherheit und die Effektivität während des Betriebs zu verbessern. Ihr Servicehändler steht Ihnen gern für weitere Informationen zur Verfügung.

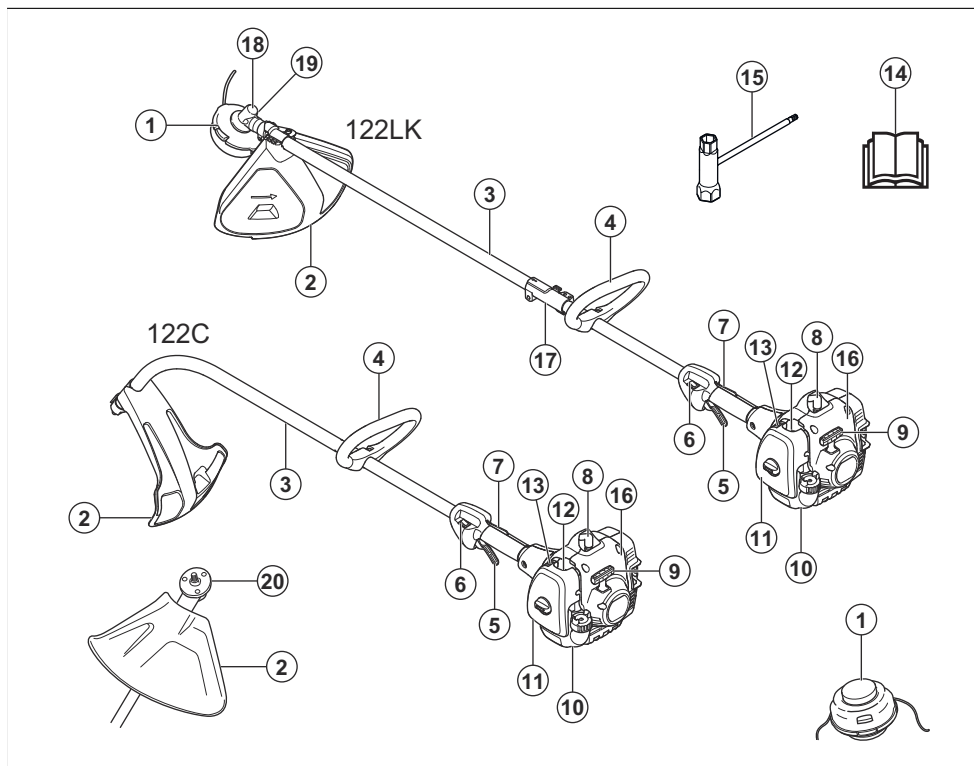
Verwendungszweck

Das Gerät wird mit einem Trimmerkopf zum Grasschneiden verwendet. Verwenden Sie das Gerät

nicht für andere Zwecke als Grastrimmen und Grasfreischneiden.

Hinweis: Der Betrieb des Geräts kann durch nationale Vorschriften eingeschränkt werden.

Produktübersicht



1. Trimmerkopf
2. Schutz für die Schneidausrüstung
3. Welle
4. Loophandgriff
5. Gashebel
6. Stoppschalter
7. Gashebelsperre
8. Zündkappe und Zündkerze
9. Startseilgriff
10. Kraftstofftank
11. Luftfilterdeckel
12. Kraftstoffpumpe
13. Choke-Hebel
14. Bedienungsanleitung
15. Gabel-Ringschlüssel
16. Startvorrichtunggehäuse
17. Führungsrohrverbindung
18. Winkelgetriebe
19. Einfüllöffnung für Schmiermittel, Winkelgetriebe
20. Mitnehmerrad

Symbole auf dem Gerät



WARNUNG! Dieses Gerät ist gefährlich. Wenn das Gerät nicht sorgfältig und ordnungsgemäß verwendet wird, kann es zu Verletzungen oder zum Tod des Bedieners oder anderer Personen kommen. Zur Vermeidung von Verletzungen des Bedieners oder umstehender Personen lesen und befolgen Sie alle Sicherheitshinweise in der Bedienungsanleitung.



Lesen Sie die Bedienungsanleitung sorgfältig durch, und machen Sie sich vor der Benutzung mit dem Inhalt vertraut.



Tragen Sie dort, wo Gegenstände auf Sie fallen können, einen Schutzhelm. Tragen Sie einen zugelassenen Gehörschutz. Tragen Sie einen zugelassenen Augenschutz.



Maximale Drehzahl der Abtriebswelle.



Dieses Gerät entspricht den geltenden EG-Richtlinien.



Das Gerät kann Objekte umherschleudern und Verletzungen verursachen.



Halten Sie während des Betriebs des Geräts einen Mindestabstand von 15 m zu Personen oder Tieren ein.



Tragen Sie zugelassene Schutzhandschuhe.



Tragen Sie robuste und rutschfeste Stiefel.



Verwenden Sie nur einen flexiblen Schneidfaden. Verwenden Sie keine Schneidausrüstungen aus Metall.



Etikett mit Geräuschemission gemäß EU- und UK-Richtlinien und Verordnungen sowie der australischen „Protection of the Environment Operations (Noise Control) Regulation 2017“ (Umweltschutz-/Lärmschutzbestimmung) von New South Wales. Der garantierte Schalleistungspegel des Geräts ist unter *Technische Angaben auf Seite 118* und auf dem Etikett angegeben.



Kraftstoffpumpenblase.



Choke.



Dieses Gerät entspricht den geltenden UK-Richtlinien.

yyyywwxxxx

Auf dem Typenschild ist die Seriennummer angegeben. **yyyy** ist das Produktionsjahr, **ww** steht für die Produktionswoche.

Hinweis: Weitere Symbole/Aufkleber auf dem Gerät beziehen sich auf die Zertifizierungsanforderungen für andere kommerzielle Bereiche.

Emissionen nach Euro V



WARNUNG: Bei jeglichen Manipulationen des Motors erlischt die EU-Typgenehmigung für dieses Produkt.

Kundendienst

Unseren Kundendienst erreichen Sie unter: 1-800-487-5951 oder auf www.husqvarna.com.

Produkthaftung

Im Sinne der Produkthaftungsgesetze übernehmen wir keine Haftung für Schäden, die unser Gerät verursacht, wenn...

- das Gerät nicht ordnungsgemäß repariert wird.
- das Gerät mit Teilen repariert wird, die nicht vom Hersteller stammen oder nicht vom Hersteller zugelassen sind.
- ein Zubehörteil mit dem Gerät verwendet wird, das nicht vom Hersteller stammt oder nicht vom Hersteller zugelassen ist.
- das Gerät nicht bei einem zugelassenen Service Center oder von einem zugelassenen Fachmann repariert wird.

Sicherheit

Sicherheitsdefinitionen

Warnungen, Vorsichtsmaßnahmen und Hinweise werden verwendet, um auf besonders wichtige Teile der Bedienungsanleitung hinzuweisen.



WARNUNG: Wird verwendet, wenn bei Nichtbeachtung der Anweisungen in diesem Handbuch die Gefahr von Verletzung oder

Tod des Bedieners oder anderer Personen besteht.



ACHTUNG: Wird verwendet, wenn bei Nichtbeachtung der Anweisungen in diesem Handbuch die Gefahr von Schäden am Gerät, an anderen Materialien oder in der Umgebung besteht.

Hinweis: Für weitere Informationen, die in bestimmten Situationen nötig sind.

Allgemeine Sicherheitshinweise



WARNUNG: Lesen Sie die folgenden Warnhinweise, bevor Sie das Gerät benutzen.

- Verwenden Sie das Gerät ordnungsgemäß. Eine falsche Verwendung kann zu schweren bis tödlichen Verletzungen führen. Verwenden Sie das Gerät nur für die in dieser Betriebsanleitung aufgeführten Arbeiten. Verwenden Sie das Gerät nicht für andere Aufgaben.
- Beachten Sie die Anweisungen in dieser Bedienungsanleitung. Beachten Sie die Symbole und die Sicherheitshinweise. Die Nichtbeachtung der Anweisungen und Symbole kann zu Verletzungen oder zum Tod führen.
- Werfen Sie diese Bedienungsanleitung nicht weg. Verwenden Sie die Anweisungen für das Zusammensetzen und den Betrieb, und halten Sie Ihr Gerät in gutem Zustand. Befolgen Sie die Anweisungen für die korrekte Installation von Anbaugeräten und Zubehörteilen. Verwenden Sie ausschließlich zugelassene Anbaugeräte und Zubehörteile.
- Verwenden Sie das Gerät nicht, wenn es beschädigt ist. Halten Sie sich an den Wartungsplan. Führen Sie nur diejenigen Wartungsarbeiten aus, die Sie in den Anweisungen in dieser Bedienungsanleitung finden. Alle sonstigen Wartungsarbeiten müssen von einer autorisierten Servicewerkstatt durchgeführt werden.
- Diese Bedienungsanleitung kann nicht alle Situationen abdecken, die bei der Verwendung des Geräts auftreten können. Seien Sie immer vorsichtig und arbeiten Sie mit gesundem Menschenverstand. Führen Sie keine Arbeiten mit dem Gerät oder Wartungen am Gerät durch, wenn Sie sich in einer Situation unsicher sind. Wenden Sie sich an einen Produktfachmann, Ihren Fachhändler, Ihren Service Vertreter oder das autorisierte Service Center für weitere Informationen.
- Ziehen Sie den Zündkerzenstecker ab, bevor Sie das Gerät zusammenbauen, einlagern oder warten.
- Verwenden Sie das Gerät nicht, wenn es nicht mehr der ursprünglichen Spezifikation entspricht. Ändern Sie kein Teil des Geräts ohne Genehmigung des Herstellers. Verwenden Sie nur Teile, die vom Gerätehersteller zugelassen sind. Eine falsche Wartung kann zu schweren bis tödlichen Verletzungen führen.
- Atmen Sie die Abgase des Motors nicht ein. Das Einatmen der Motorabgase über längere Zeit kann eine Gefahr für die Gesundheit darstellen.
- Das Gerät sollte nicht im Innenbereich oder in der Nähe von feuergefährlichen Stoffen gestartet werden. Die Abgase sind heiß und können Funken erzeugen, die einen Brand verursachen können. Eine mangelhafte Luftzirkulation kann zu schweren oder tödlichen Verletzungen durch Ersticken oder eine Kohlenmonoxidvergiftung führen.
- Wenn Sie das Gerät nutzen, erzeugt der Motor ein elektromagnetisches Feld. Das elektromagnetische Feld kann medizinische Implantate beschädigen. Sprechen Sie vor der Inbetriebnahme des Geräts mit Ihrem Arzt und dem Hersteller des medizinischen Implantats.
- Lassen Sie nicht zu, dass Kinder das Gerät verwenden. Erlauben Sie nicht, dass Personen ohne Kenntnis der Anweisungen das Gerät bedienen.
- Stellen Sie sicher, dass Personen mit verminderter physischer oder psychischer Leistungsfähigkeit dieses Gerät nicht unbeobachtet verwenden. Es muss immer ein verantwortlicher Erwachsener anwesend sein.
- Verschießen Sie das Gerät in einem Bereich, zum dem Kinder und nicht autorisierte Personen keinen Zugang haben.
- Das Gerät kann Objekte auswerfen und Verletzungen verursachen. Beachten Sie die Sicherheitshinweise, um das Risiko von Verletzungen oder Tod zu verringern.
- Entfernen Sie sich nicht vom Gerät, wenn der Motor eingeschaltet ist.
- Der Bediener des Geräts trägt bei einem Unfall die Verantwortung.
- Überprüfen Sie vor dem Gebrauch das Gerät auf schadhafte Teile.
- Achten Sie vor dem Gebrauch des Geräts darauf, einen Mindestabstand von 15 m von anderen Personen oder von Tieren einzuhalten. Stellen Sie sicher, dass Personen im angrenzenden Bereich wissen, dass Sie das Gerät benutzen.
- Halten Sie sich an nationale und lokale gesetzliche Bestimmungen. Diese können den Betrieb des Geräts unter bestimmten Bedingungen verhindern oder einschränken.
- Verwenden Sie das Gerät nicht, wenn Sie müde sind oder unter Einfluss von Alkohol, Drogen oder Medikamenten stehen, die Ihre Sehkraft, Aufmerksamkeit, Körperkontrolle oder Ihr Urteilsvermögen beeinträchtigen könnten.

Sicherheitshinweise für die Montage



WARNUNG: Lesen Sie die folgenden Warnhinweise, bevor Sie das Gerät benutzen.

- Ziehen Sie die Zündkappe von der Zündkerze ab, bevor Sie das Gerät zusammenbauen.
- Tragen Sie zugelassene Schutzhandschuhe.
- Stellen Sie sicher, dass Sie die Abdeckung und die Welle korrekt zusammenbauen, bevor Sie den Motor starten.

Sicherheitshinweise für den Betrieb

- Stellen Sie sicher, dass das Gerät vollständig zusammengebaut ist, bevor Sie es verwenden.
- Stellen Sie das Gerät vor dem Einschalten in einem Abstand von mindestens 3 m von der Stelle ab, wo Sie zuvor den Kraftstofftank gefüllt haben. Stellen Sie das Gerät auf einer ebenen Oberfläche ab. Stellen Sie sicher, dass die Schneidausrüstung nicht den Boden oder ein anderes Objekt berührt.
- Das Gerät kann Objekte umherschleudern und Augenverletzungen verursachen. Tragen Sie immer einen zugelassenen Augenschutz, wenn Sie mit dem Gerät arbeiten.
- Achten Sie darauf, dass sich während der Arbeiten kein Kind unbemerkt dem Gerät nähert.
- Benutzen Sie das Gerät nicht, wenn sich Personen im Arbeitsbereich befinden. Halten Sie das Gerät an, wenn eine Person den Arbeitsbereich betritt.
- Stellen Sie sicher, dass Sie immer die Kontrolle über das Gerät behalten.
- Verwenden Sie das Gerät nicht, wenn Sie bei einem Unfall keine Hilfe holen können. Vergewissern Sie sich immer, dass Dritte von Ihren Arbeiten wissen, bevor Sie das Gerät in Betrieb nehmen.
- Schauen Sie sich immer nach Personen und Tieren im Sicherheitsbereich um, bevor Sie sich mit dem Gerät herumdrehen.
- Entfernen Sie alle unerwünschten Materialien aus dem Arbeitsbereich, bevor Sie beginnen. Wenn die Schneidausrüstung gegen ein Objekt stößt, kann das Objekt umherschleudert werden und Verletzungen oder Schäden verursachen. Unerwünschtes Material kann sich um die Schneidausrüstung wickeln und Schäden verursachen.
- Verwenden Sie das Gerät nicht bei schlechtem Wetter (Nebel, Regen oder starke Winde, Gewittergefahr oder sonstigen Schlechtwetterbedingungen). Bei schlechtem Wetter könnten sich gefährliche Bedingungen (z. B. rutschige Bodenflächen) einstellen.

- Stellen Sie sicher, dass Sie sich beim Arbeiten frei bewegen und stabil stehen können.



- Vermeiden Sie Situationen, in denen Sie fallen könnten, wenn Sie mit dem Gerät arbeiten. Neigen Sie sich nicht bei der Arbeit mit dem Gerät.
- Halten Sie das Gerät immer mit beiden Händen fest. Halten Sie das Gerät auf der rechten Seite des Körpers.



- Betreiben Sie das Gerät mit der Schneidausrüstung unter Hüfthöhe.
- Wenn sich beim Motorstart der Choke in der Choke-Stellung befindet, beginnt sich die Schneidausrüstung zu drehen.
- Berühren Sie das Winkelgetriebe nicht direkt nach dem Abstellen des Motors. Das Winkelgetriebe ist nach dem Abstellen des Motors noch heiß. Heiße Stellen können zu Verletzungen führen.
- Stellen Sie den Motor ab, bevor Sie das Gerät transportieren.
- Legen Sie das Gerät auf keinen Fall ab, solange der Motor läuft.
- Stellen Sie vor dem Entfernen unerwünschter Materialien den Motor ab und warten Sie, bis die Schneidausrüstung stillsteht. Lassen Sie die Schneidausrüstung anhalten, bevor Sie oder ein Helfer das geschnittene Material entfernen.

Persönliche Schutzausrüstung



WARNUNG: Lesen Sie die folgenden Warnhinweise, bevor Sie das Gerät benutzen.

- Verwenden Sie stets die vorgeschriebene persönliche Schutzausrüstung bei der Benutzung des Geräts. Die persönliche Schutzausrüstung

kann Verletzungen nicht vollständig vermeiden, vermindert aber den Umfang der Verletzungen und Schäden bei einem Unfall. Lassen Sie sich bei der Auswahl der richtigen Ausrüstung von Ihrem Händler beraten.

- Tragen Sie einen Schutzhelm in Bereichen, in denen Gefahr durch herabfallende Gegenstände besteht.
- Tragen Sie einen zugelassenen Gehörschutz mit ausreichender Lärminderung. Eine längerfristige Lärmeinwirkung kann zu bleibenden Gehörschäden führen.
- Tragen Sie einen zugelassenen Augenschutz. Bei der Benutzung eines Visiers ist außerdem eine zugelassene Schutzbrille zu tragen. Zugelassene Schutzbrillen müssen die Normen ANSI Z87.1 für die USA bzw. EN 166 für EU-Länder erfüllen.
- Verwenden Sie einen Gesichtsschutz. Ein Gesichtsschutz allein reicht nicht aus, um die Augen zu schützen.



- Tragen Sie bei Bedarf Schutzhandschuhe, beispielsweise bei der Montage, der Untersuchung oder der Reinigung der Schneidausrüstung.
- Verwenden Sie rutschfeste und stabile Stiefel.
- Tragen Sie Kleidung aus reißfestem Material. Tragen Sie stets lange Hosen aus schwerem Stoff und lange Ärmel. Tragen Sie keine weite Kleidung, die sich leicht an Ästen und Zweigen verfangen könnte. Vermeiden Sie das Tragen von Schmuck, kurzen Hosen und Sandalen. Gehen Sie nicht barfuß. Binden Sie Ihre Haare sicherheitshalber zusammen, so dass sie nicht über Ihre Schultern fallen.



- Halten Sie eine Erste-Hilfe-Ausrüstung und einen Feuerlöscher griffbereit.



Sicherheitsvorrichtungen am Gerät

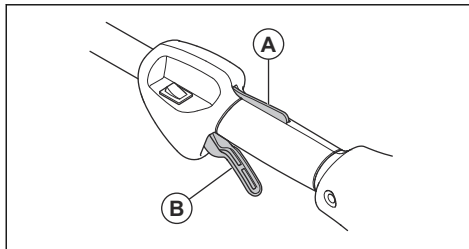


WARNUNG: Lesen Sie die folgenden Warnhinweise, bevor Sie das Gerät benutzen.

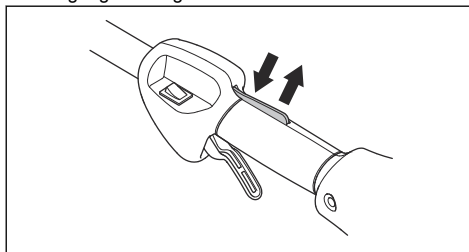
- Benutzen Sie kein Gerät mit defekten Sicherheitsvorrichtungen.
- Führen Sie regelmäßig eine Überprüfung der Sicherheitsvorrichtungen durch. Siehe *Wartungsplan auf Seite 114*.
- Wenn die Sicherheitsvorrichtungen defekt sind, wenden Sie sich an Ihre Husqvarna-Servicewerkstatt.

So prüfen Sie die Gashebelsperre

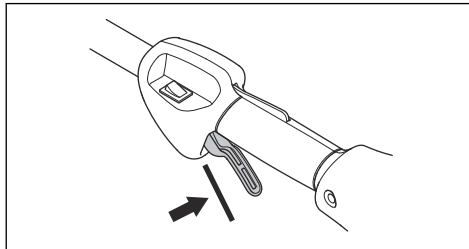
1. Prüfen Sie, ob sich die Gashebelsperre (A) und die Gashebel (B) frei bewegen lassen und ob die Rückholfeder korrekt funktioniert.



2. Drücken Sie die Gashebelsperre herunter und kontrollieren Sie, ob sie beim Loslassen in die Ausgangsstellung zurückkehrt.



3. Stellen Sie sicher, dass der Gashebel in der Leerlaufstellung verriegelt ist, wenn die Gashebelsperre freigegeben wird.



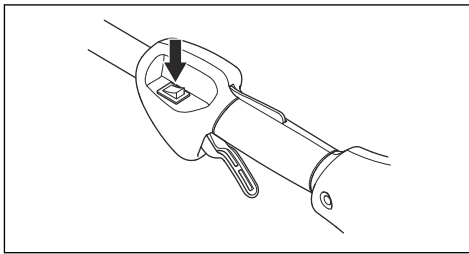
- Starten Sie das Gerät und lassen Sie es auf Vollgas laufen.
- Lassen Sie den Gashebel los, und prüfen Sie, ob die Messer stoppen und stehen bleiben.



WARNUNG: Wenn die Messer sich bewegen, während sich der Gashebel in Leerlaufstellung befindet, ist die Leerlaufgeschwindigkeit des Vergasers einzustellen. Siehe *So stellen Sie die Leerlaufdrehzahl ein auf Seite 115.*

So prüfen Sie den Start-/Stopp-Schalter

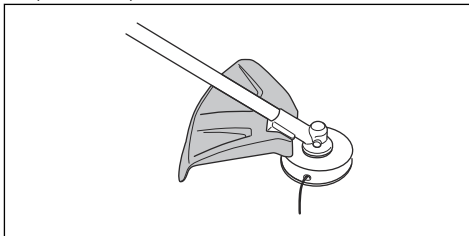
- Starten Sie den Motor.
- Stellen Sie den Start-/Stopp-Schalter auf die Position „Aus“ und stellen Sie sicher, dass der Motor zum Stillstand kommt.



So prüfen Sie die Schutzvorrichtung der Schneidausrüstung

Der Schutz der Schneidausrüstung stoppt Objekte, die in die Richtung des Bedieners geschleudert werden. Es verhindert außerdem Verletzungen, wenn Sie mit der Schneidausrüstung in Kontakt kommen.

- Stoppen Sie den Motor.
- Führen Sie eine Sichtkontrolle auf Beschädigungen (z. B. Risse) durch.



- Tauschen Sie den Schutz für die Schneidausrüstung aus, wenn er beschädigt ist.

Schalldämpfer

- Verwenden Sie keinen Motor mit defektem Schalldämpfer. Ein beschädigter Schalldämpfer erhöht den Geräuschpegel und die Brandgefahr. Halten Sie stets einen Feuerlöscher griffbereit.

- Überprüfen Sie regelmäßig, ob der Schalldämpfer mit dem Gerät verbunden ist.
- Berühren Sie den Motor oder den Schalldämpfer nicht, solange der Motor eingeschaltet ist. Warten Sie nach dem Abstellen des Motors eine Weile, bevor Sie den Motor oder den Schalldämpfer berühren. Heiße Oberflächen können zu Verletzungen führen.
- Ein heißer Schalldämpfer kann einen Brand verursachen. Seien Sie vorsichtig, wenn Sie das Gerät in der Nähe von entzündlichen Flüssigkeiten oder Gasen verwenden.
- Berühren Sie keine Teile im Schalldämpfer, wenn der Schalldämpfer beschädigt ist. Diese Teile können krebserregende Stoffe enthalten.

Schneidausrüstung



WARNUNG: Lesen Sie die folgenden Warnhinweise, bevor Sie das Gerät benutzen.

- Führen Sie die regelmäßigen Wartungen aus. Lassen Sie ein autorisiertes Service Center die Schneidausrüstung regelmäßig überprüfen, um Einstellungen oder Reparaturen vorzunehmen.
 - Dies erhöht die Leistung der Schneidausrüstung.
 - Die Lebensdauer der Schneidausrüstung steigt.
 - Die Gefahr von Unfällen sinkt.
- Verwenden Sie ausschließlich eine für die Schneidausrüstung zugelassene Schutzvorrichtung. Siehe *Zubehör auf Seite 119.*
- Verwenden Sie keine beschädigte Schneidausrüstung.

Sicherer Umgang mit Kraftstoff



WARNUNG: Lesen Sie die folgenden Warnhinweise, bevor Sie das Gerät benutzen.

- Mischen Sie den Kraftstoff weder im Innenbereich noch in der Nähe einer Wärmequelle.
- Starten Sie das Gerät nicht, wenn sich Kraftstoff oder Öl darauf befindet. Entfernen Sie den unerwünschten Kraftstoff bzw. das Öl, und lassen Sie das Gerät trocknen. Entfernen Sie unerwünschten Kraftstoff aus dem Gerät.
- Wechseln Sie sofort die Kleidung, wenn Sie Kraftstoff darauf verschütten.
- Lassen Sie keinen Kraftstoff auf Ihren Körper gelangen, denn dies kann zu Verletzungen führen. Wenn Kraftstoff auf Ihre Haut gelangt, waschen Sie diesen mit Wasser und Seife ab.
- Starten Sie den Motor niemals, wenn Sie Öl oder Kraftstoff auf das Gerät oder auf Ihren Körper verschüttet haben.

- Starten Sie das Gerät nicht, wenn der Motor undicht ist. Überprüfen Sie den Motor regelmäßig auf Undichtigkeiten.
- Gehen Sie vorsichtig mit Kraftstoff um. Kraftstoff ist feuergefährlich, und die Dämpfe sind explosiv und können zu Verletzungen oder sogar zum Tod führen.
- Atmen Sie die Kraftstoffdämpfe nicht ein, denn sie sind gesundheitsschädigend. Achten Sie auf ausreichende Belüftung.
- Rauchen Sie nicht in der Nähe des Kraftstoffs oder des Motors.
- Stellen Sie keine heißen Gegenstände in der Nähe des Kraftstoffs oder Motors ab.
- Füllen Sie keinen Kraftstoff nach, während der Motor läuft.
- Vergewissern Sie sich, dass der Motor abgekühlt ist, bevor Sie Kraftstoff nachfüllen.
- Öffnen Sie vor dem Nachfüllen den Tankdeckel langsam, und lassen Sie den Druck vorsichtig entweichen.
- Stellen Sie sicher, dass beim Tanken und Kraftstoffmischen (Benzin und Zweitaktöl) oder Ablassen des Kraftstofftanks eine ausreichende Belüftung gegeben ist.
- Kraftstoffe und Kraftstoffdämpfe sind sehr feuergefährlich und können beim Einatmen und auf der Haut schwere Schäden verursachen. Beim Umgang mit Kraftstoff ist daher Vorsicht geboten und für eine ausreichende Belüftung zu sorgen.
- Drehen Sie den Tankdeckel sorgfältig zu, da ansonsten Brandgefahr besteht.
- Stellen Sie vor dem Einschalten das Gerät in einem Abstand von mindestens 3 m von der Stelle auf, wo Sie den Tank befüllt haben.
- Überfüllen Sie den Kraftstofftank nicht.
- Stellen Sie sicher, dass kein Kraftstoff austreten kann, wenn Sie das Gerät oder den Kraftstoffbehälter transportieren.
- Bewegen Sie sich mit dem Gerät oder einen Kraftstoffbehälter nicht in Bereichen mit offenem Feuer, Funkenbildung oder Zündflammen. Stellen Sie sicher, dass sich im Lagerbereich keine offene Feuerquelle befindet.
- Verwenden Sie zum Transportieren oder Einlagern des Kraftstoffs nur zugelassene Behälter.
- Leeren Sie den Kraftstofftank, bevor Sie das Gerät für längere Zeit einlagern. Entsorgen Sie den Kraftstoff an Orten, die durch die lokalen gesetzlichen Bestimmungen dafür vorgesehen sind.

- Reinigen Sie das Gerät, bevor Sie es für längere Zeit einlagern.
- Ziehen Sie den Zündkerzenstecker ab, bevor Sie das Gerät einlagern, um sicherzustellen, dass der Motor nicht unbeabsichtigt starten kann.

Sicherheitshinweise für die Wartung



WARNUNG: Lesen Sie die folgenden Warnhinweise, bevor Sie das Gerät benutzen.

- Schalten Sie den Motor aus, stellen Sie sicher, dass die Schneidausrüstung still steht und lassen Sie das Gerät abkühlen, bevor Sie die Wartung durchführen.
- Trennen Sie die Zündkappe vor Beginn der Wartung.
- Die Abgase des Motors enthalten Kohlenmonoxid, ein geruchloses, giftiges und sehr gefährliches Gas, das zum Tod führen kann. Betreiben Sie das Gerät nicht in geschlossenen Räumen.
- Die Abgase des Motors sind heiß und können Funken schlagen. Lassen Sie das Gerät nicht im Innenbereich oder in der Nähe von brennbaren Materialien laufen.
- Zubehörteile und Änderungen am Gerät, die vom Hersteller nicht genehmigt wurden, können zu schweren Verletzungen oder zum Tod führen. Verändern Sie das Gerät nicht. Verwenden Sie stets Originalzubehör.
- Wenn die Wartung nicht ordnungsgemäß und regelmäßig erfolgt, erhöht sich die Verletzungsgefahr und das Risiko für eine Beschädigung des Geräts.
- Führen Sie die Wartung nur gemäß dieser Betriebsanleitung durch. Lassen Sie alle anderen Wartungsarbeiten von einer autorisierten Husqvarna Servicewerkstatt durchführen.
- Lassen Sie eine autorisierte Husqvarna Servicewerkstatt das Gerät regelmäßig warten.
- Ersetzen Sie beschädigte, abgenutzte oder defekte Teile.
- In den Anweisungen der Schneidausrüstung finden Sie die richtige Vorgehensweise zum Installieren des Trimmerfadens und die richtige Fadenstärke.
- Halten Sie die Schneidzähne der Klinge stets korrekt und gut geschärft! Befolgen Sie unsere Empfehlungen. Beachten Sie auch die Anweisungen auf der Klingerverpackung.

Montage

Einleitung

Sicherheitsinformationen lesen und verstehen.



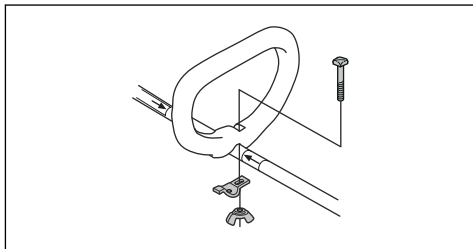
WARNUNG: Vor dem Betrieb des Gerätes müssen Sie die



WARNUNG: Ziehen Sie den Zündkerzenstecker von der Zündkerze ab, bevor Sie das Gerät zusammenbauen.

So bauen Sie den Loophandgriff an

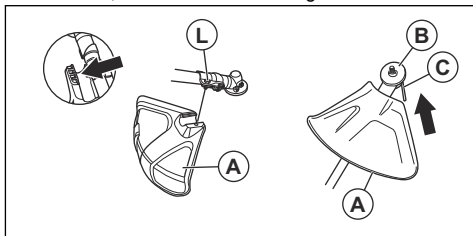
1. Befestigen Sie den Loophandgriff so am Führungsrohr, wie es in der Abbildung dargestellt ist, und ziehen Sie ihn fest.



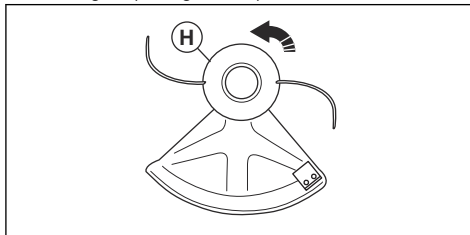
2. Stellen Sie sicher, dass der Loophandgriff zwischen den Pfeilen auf dem Führungsrohr befestigt ist.

So befestigen Sie die Schutzvorrichtung der Schneid-ausrüstung und den Trimmerkopf (gerades Führungsrohr)

1. Befestigen Sie die Schutzvorrichtung der Schneid-ausrüstung (A) mit der Schraube (L) am Führungsrohr.
2. Befestigen Sie den Mitnehmer (B) an der Abtriebswelle.
3. Drehen Sie die Abtriebswelle, bis sich das Loch des Mitnehmers mit dem entsprechenden Loch im Getriebegehäuse deckt.
4. Stecken Sie einen kleinen Schraubenzieher (C) in das Loch, um die Welle zu verriegeln.

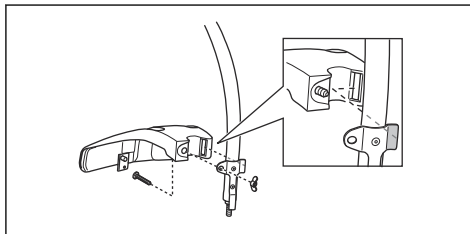


5. Drehen Sie den Trimmerkopf (H) gegen den Uhrzeigersinn, um den Trimmerkopf am Getriebe zu befestigen. (Linksgewinde.)

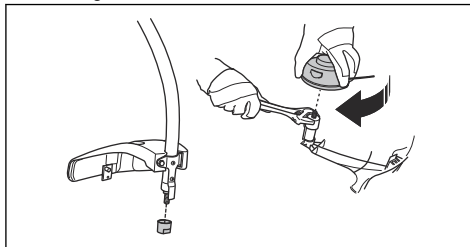


So schließen Sie den Schutz für Schneid-ausrüstung und Trimmerkopf an (gebogenes Führungsrohr)

1. Befestigen Sie die Schutzvorrichtung. Ziehen Sie die Mutter an.



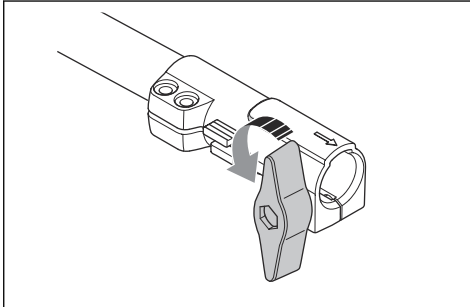
2. Befestigen Sie den Staubschutz an der Welle.



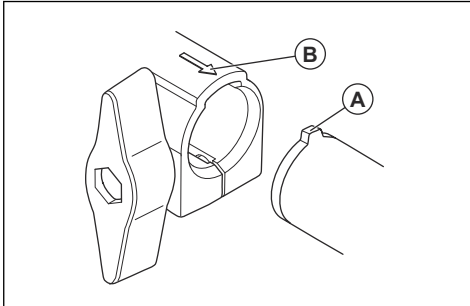
3. Halten Sie den Staubschutz mit einem verstellbaren Schraubenschlüssel fest, um sicherzugehen, dass sich die Welle nicht dreht.
4. Befestigen Sie den Trimmerkopf am Führungsrohr. Drehen Sie den Trimmerkopf im Uhrzeigersinn.

So bauen Sie das zweiteilige Führungsrohr zusammen

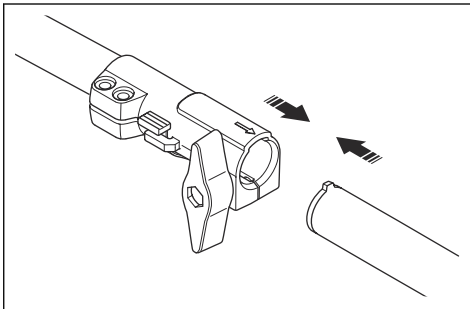
1. Drehen Sie den Knopf zum Lösen der Kupplung.



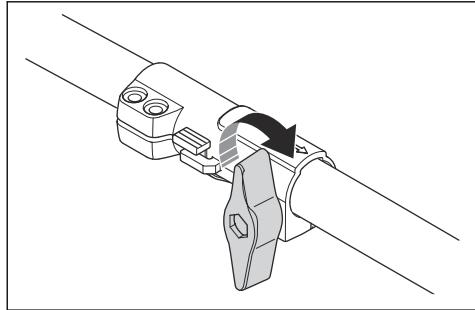
2. Richten Sie die Lasche (A) am Pfeil (B) an der Kupplung aus.



3. Drücken Sie das Führungsrohr in die Kupplung bis zum Einrasten in seine Position.

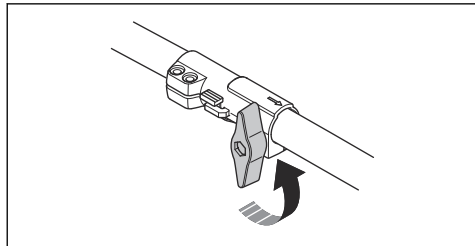


4. Ziehen Sie den Drehknopf vollständig fest.

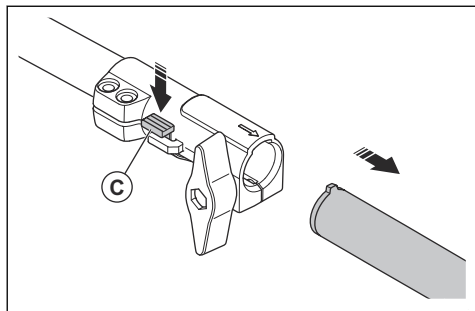


So nehmen Sie das zweiteilige Führungsrohr auseinander

1. Drehen Sie den Knopf 3 Umdrehungen oder mehr, um die Kupplung zu lösen.



2. Halten Sie die Taste (C) gedrückt.
3. Halten Sie das Ende des Führungsrohrs fest, das am Motor befestigt ist.
4. Ziehen Sie das Anbaugerät aus der Kupplung heraus.



Betrieb

Einleitung



WARNUNG: Vor dem Betrieb des Gerätes müssen Sie die Sicherheitsinformationen lesen und verstehen.

Kraftstoff

Dieses Produkt verfügt über einen Zweitaktmotor.



ACHTUNG: Die Verwendung eines falschen Kraftstoffs kann zu einer Beschädigung des Motors führen. Verwenden Sie eine Mischung aus Benzin und Zweitaktöl.

20

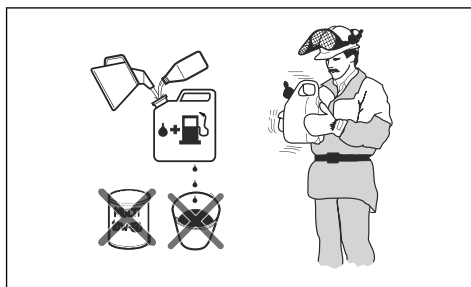
0,40



ACHTUNG: Beim Mischen kleiner Kraftstoffmengen wirken sich auch kleine Abweichungen bei der Ölmenge stark auf das Mischungsverhältnis aus. Um das korrekte Mischungsverhältnis sicherzustellen, muss die beizumischende Ölmenge genau abgemessen werden.

Vorgemischter Kraftstoff

- Verwenden Sie Husqvarna vorgemischten Alkylatkraftstoff. Dies sorgt für die beste Leistung und eine Verlängerung der Lebensdauer des Motors. Im Vergleich zu herkömmlichem Kraftstoff enthält dieser Kraftstoff weniger gesundheitsschädliche Substanzen, wodurch der Ausstoß schädlicher Abgase verringert wird. Die Menge von Rückständen nach der Verbrennung ist bei diesem Kraftstoff niedriger. Dadurch bleiben die Bauteile des Motors sauberer.



So mischen Sie Kraftstoff vor

Benzin

- Verwenden Sie hochwertiges bleifreies Benzin mit maximal 10 % Ethanol (E10).



ACHTUNG: Verwenden Sie kein Benzin mit einer geringeren Oktanzahl als 90 RON (87 AKI). Bei Einsatz von Kraftstoff mit niedrigerer Oktanzahl kann es zu einem Klopfen im Motor kommen, das Motorschäden verursacht.

1. Füllen die Hälfte des Benzins in einen sauberen Kraftstoffbehälter.
2. Fügen Sie die gesamte Menge Öl hinzu.
3. Schütteln Sie die Kraftstoffmischung.
4. Geben Sie dann den Rest des Benzins in den Behälter dazu.
5. Schütteln Sie die Kraftstoffmischung sorgfältig.

Zweitaktöl

- Verwenden Sie für beste Ergebnisse und die beste Leistung Husqvarna Zweitaktöl.
- Wenn Husqvarna Zweitaktöl nicht verfügbar ist, verwenden Sie ein qualitativ hochwertiges Zweitaktöl für luftgekühlte Motoren. Wenden Sie sich an Ihren Kundendienst zur Auswahl der richtigen Ölsorte.



ACHTUNG: Verwenden Sie kein Zweitaktöl für wassergekühlte Außenbordmotoren (auch Outboardoil genannt). Verwenden Sie kein Öl für Viertaktmotoren.



ACHTUNG: Mischen Sie Kraftstoff höchstens für einen Monat im Voraus.

So füllen Sie den Kraftstofftank

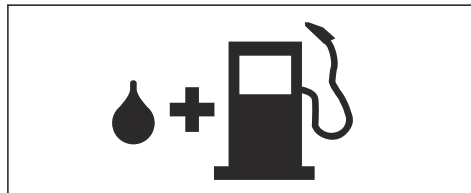


WARNUNG: Befolgen Sie zu Ihrer eigenen Sicherheit das folgende Verfahren.

1. Stellen Sie den Motor ab, und lassen Sie den Motor abkühlen.
2. Säubern Sie den Bereich rund um den Tankdeckel.

So mischen Sie Benzin und Zweitaktöl

Benzin, Liter	Zweitaktöl, Liter
	2 % (50:1)
5	0,10
10	0,20
15	0,30



3. Schütteln Sie den Behälter, und stellen Sie sicher, dass der Kraftstoff vollständig vermischt ist.
4. Entfernen Sie den Tankdeckel langsam, damit der Druck entweichen kann.

5. Füllen Sie den Kraftstofftank auf.



ACHTUNG: Stellen Sie sicher, dass der Kraftstofftank nicht zu viel Kraftstoff enthält. Der Kraftstoff dehnt sich beim Erwärmen aus.

6. Ziehen Sie den Kraftstofftankdeckel vorsichtig fest.
7. Reinigen Sie das Gerät und den umgebenden Bereich von verschüttetem Kraftstoff.
8. Bewegen Sie das Gerät vor dem Start mindestens 3 m (10 ft) aus dem Auftankbereich und von der Kraftstoff-Auftankquelle weg.

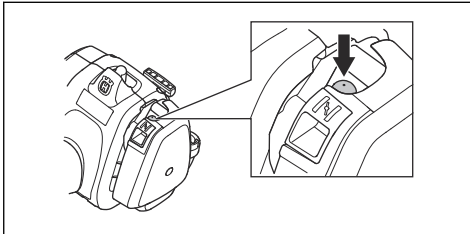
Hinweis: Um herauszufinden, wo sich der Kraftstofftank an Ihrem Gerät befindet, siehe *Produktübersicht auf Seite 102*.

So führen Sie eine Untersuchung vor dem Start durch

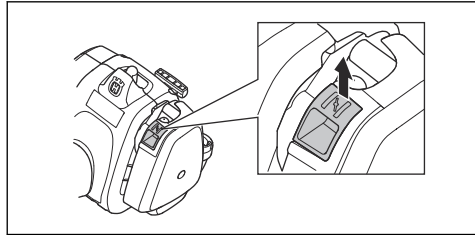
1. Stellen Sie sicher, dass sich auf dem Produkt keine fehlenden, beschädigten, losen oder abgenutzten Teile befinden.
2. Stellen Sie sicher, dass alle Muttern, Schrauben und Bolzen angezogen sind.
3. Stellen Sie sicher, dass der Trimmerkopf nicht beschädigt ist.
4. Vergewissern Sie sich, dass der Luftfilter nicht verstopft ist.
5. Stellen Sie sicher, dass die Sicherheitsvorrichtungen am Gerät nicht beschädigt sind.
6. Stellen Sie sicher, dass am Gerät kein Kraftstoff ausläuft.

So starten Sie bei kaltem Motor

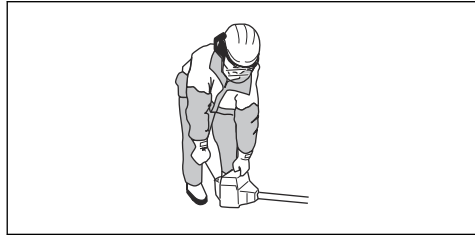
1. Drücken Sie 10 Mal auf die Kraftstoffpumpenblase.



2. Bringen Sie den Choke-Hebel in die Choke-Lage.



3. Drücken Sie den Gerätekörper mit der linken Hand gegen den Boden.



ACHTUNG: Treten Sie nicht auf das Gerät.

4. Ziehen Sie langsam mit der rechten Hand am Startseilgriff, bis Sie einen Widerstand spüren. Ziehen Sie dann schnell und kräftig am Startseilgriff, bis der Motor anspringt oder versucht anzuspringen.



WARNUNG: Wickeln Sie das Startseil nicht um Ihre Hand.

5. Bringen Sie den Choke-Hebel in die Betriebsposition.
6. Wenn der Motor anspringt, drücken Sie den Gashebel leicht und lassen den Motor 60 Sekunden laufen lassen, damit er warm wird. Wenn der Motor nicht anspringt, ziehen Sie am Startseilgriff, bis der Motor anspringt. Drücken Sie dann leicht den Gashebel, und lassen Sie den Motor 60 Sekunden laufen, damit er warm wird.



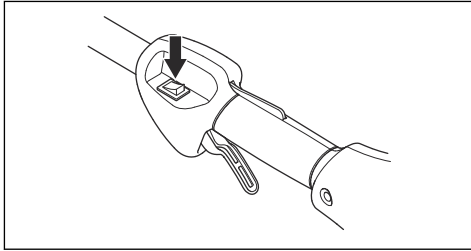
ACHTUNG: Ziehen Sie das Startseil nicht vollständig heraus, und lassen Sie den Startseilgriff nicht los. Dadurch kann das Gerät beschädigt werden. Lassen Sie das Startseil langsam los.

So starten Sie einen warmen Motor

1. Drücken Sie 10-mal auf die Kraftstoffpumpenblase.
2. Ziehen Sie am Startseil, bis der Motor anspringt.

So stoppen Sie das Gerät

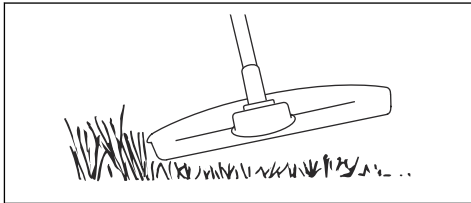
- Drücken Sie den Stoppschalter, um den Motor auszustellen.



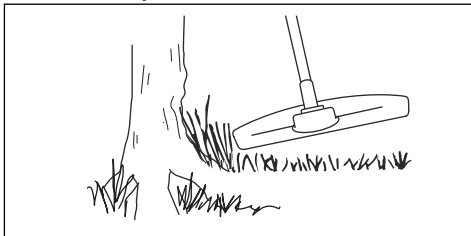
Hinweis: Der Stoppschalter kehrt dann automatisch wieder in seine Ausgangsstellung zurück.

So trimmen Sie Gras

1. Halten Sie den Trimmerkopf nah über dem Boden und neigen Sie ihn dabei etwas. Drücken Sie den Trimmerfaden nicht in das Gras.



2. Verringern Sie die Länge des Trimmerfadens um 10-12 cm.
3. Senken Sie die Motordrehzahl, um das Risiko, Pflanzen zu beschädigen, zu verringern.
4. Arbeiten Sie mit 80 % Gas, wenn Sie Gras in der Nähe von Objekten schneiden.



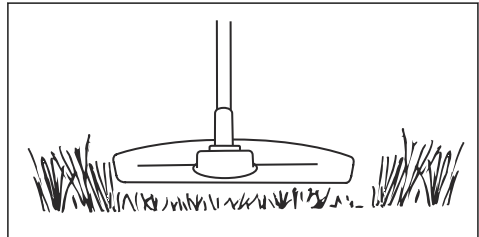
So schneiden Sie Gras mit einer Grasklinge frei

1. Grasklingen und Grasmesser dürfen nicht für verholzte Stämme verwendet werden.
2. Für alle Arten von hohem oder dichtem Gras wird die Grasklinge benutzt.

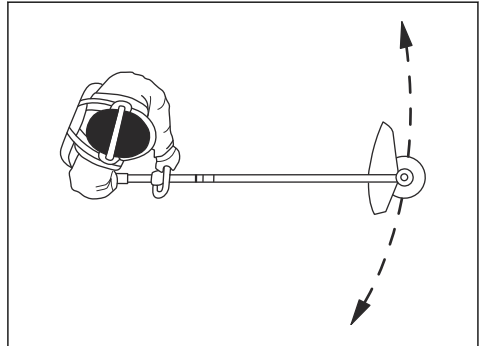
3. Gras wird mit einer pendelnden seitlichen Bewegung gemäht, wobei bei der Bewegung von rechts nach links gemäht wird und die Rückholbewegung von links nach rechts erfolgt. Lassen Sie die Klinge mit der linken Seite mähen (Klingbereich zwischen 8 und 12 Uhr).
4. Wird die Klinge beim Mähen etwas nach links geneigt, bleibt der Grasschnitt in einer Bahn liegen, was das Aufsammeln z. B. durch Harken erleichtert.
5. Bemühen Sie sich, rhythmisch zu arbeiten. Mit gespreizten Beinen stehen Sie am sichersten. Gehen Sie nach der Rückholbewegung vorwärts und suchen Sie wieder einen festen Stand.
6. Stützen Sie die Stützkappe leicht auf dem Boden ab. Sie dient dazu, die Klinge vor Bodenberührung zu schützen.
7. Verringern Sie die Gefahr, dass sich Material um die Klinge wickelt, indem Sie immer mit Vollgas arbeiten und vermeiden, das geschnittene Material bei der Rückholbewegung zu berühren.
8. Stellen Sie den Motor ab, nehmen Sie den Gurt ab und legen Sie das Gerät auf den Boden, bevor Sie das Schnittgut aufsammeln.

So mähen Sie den Rasen

1. Stellen Sie sicher, dass der Trimmerfaden beim Schneiden parallel zum Boden läuft.



2. Drücken Sie den Trimmerkopf nicht auf den Boden. Dies kann das Gerät beschädigen.
3. Schwenken Sie das Gerät von Seite zu Seite, während Sie das Gras schneiden. Nutzen Sie die volle Geschwindigkeit.



So blasen Sie Gras fort

Der Luftstrom aus dem rotierenden Trimmerfaden kann verwendet werden, um Gras zu entfernen.

1. Halten Sie den Trimmerkopf und den Trimmerfaden parallel zum Boden und über dem Boden.
2. Geben Sie Vollgas.
3. Bewegen Sie den Trimmerkopf von einer Seite zur anderen und blasen Sie das Gras fort.



WARNUNG: Reinigen Sie die Trimmerkopfabdeckung jedes Mal, wenn Sie einen neuen Trimmerfaden zusammenbauen, um Unwucht und Vibrationen in den Griffen zu vermeiden. Sie sollten auch die anderen Teile des Trimmerkopfs überprüfen und bei Bedarf reinigen.

- Verwenden Sie nur zugelassene Rasentrimmerköpfe und Rasentrimmerfäden. Siehe *Zubehör auf Seite 119*.
- Verwenden Sie einen Rasentrimmerfaden mit korrekter Länge. Ein langer Rasentrimmerfaden verbraucht mehr Motorleistung als ein kurzer Rasentrimmerfaden.
- Achten Sie darauf, dass das Messer an der Schutzvorrichtung der Schneidausrüstung nicht beschädigt ist.
- Weichen Sie den Rasentrimmerfaden zwei Tage lang in Wasser ein, bevor Sie ihn am Gerät befestigen. Dies erhöht die Lebensdauer des Rasentrimmerfadens.
- Zum korrekten Einlegen des Fadens und zur Wahl des richtigen Fadendurchmessers siehe die Anweisungen für die Schneidausrüstung.

Kopf des Rasentrimmers

- Wickeln Sie den Faden des Rasentrimmers straff und gleichmäßig um die Trommel, um Vibrationen zu vermeiden.

Wartung

Einleitung



WARNUNG: Bevor Sie eine Wartung durchführen, müssen Sie das Kapitel über die Sicherheit lesen und verstehen.

Für alle Wartungs- und Reparaturarbeiten am Produkt ist eine spezielle Schulung erforderlich. Wir garantieren die Verfügbarkeit von professionellen Reparaturen und Wartungsarbeiten. Wenn Ihr Händler keine Servicewerkstatt ist, sprechen Sie mit ihm, um Informationen über die nächste Servicewerkstatt zu erhalten.

Wartungsplan

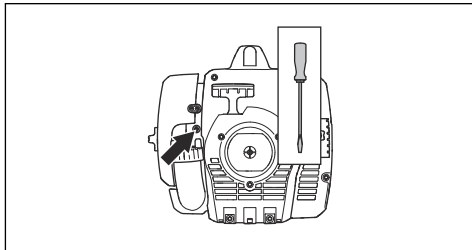
Wartung	Täglich	Wöchent-lich	Monatlich
Reinigen Sie die Außenfläche.	X		
Reinigen Sie den Luftfilter. Tauschen Sie sie bei Bedarf aus.	X		
Überprüfen Sie die Funktion der Gashebelsperre und des Gashebels.	X		
Überprüfen Sie den Stoppschalter.	X		
Überprüfen Sie die Schutzvorrichtungen.	X		
Überprüfen Sie den Trimmerkopf.	X		
Überprüfen Sie die Kontermutter.	X		
Untersuchen Sie das Gerät auf Undichtigkeiten.	X		
Stellen Sie sicher, dass die Grasklinge mittig ausgerichtet und scharf ist und an der Klinge oder am Mittelloch keine Beschädigungen hat.	X		
Vergewissern Sie sich, dass die Schneidausrüstung im Leerlauf nicht rotiert.	X		

Wartung	Taglich	Wochent- lich	Monatlich
Tragen Sie Schmierfett auf das zweiteilige Fuhrungsrohr auf.		X	
Uberprufen Sie den Starthandgriff und das Startseil.		X	
Uberprufen Sie die Schmierung des Winkelgetriebes.		X	
Reinigen Sie die Auenseite der Zundkerze. Entfernen Sie die Zundkerze und messen Sie den Elektrodenabstand. Korrigieren Sie den Elektrodenabstand oder verwenden Sie eine andere Zundkerze.		X	
Reinigen Sie das Kuhlsystem.		X	
Reinigen Sie den Funkenschutz des Schalldampfers, oder tauschen Sie ihn aus.		X	
Reinigen Sie die Auenseite des Vergasers und den umliegenden Bereich.		X	
Untersuchen Sie den Kraftstofffilter auf Verunreinigungen.			X
Untersuchen Sie den Kraftstoffschlauch auf Beschadigung.			X
Kontrollieren Sie alle Kabel und Anschlusse.			X
Kontrollieren Sie Kupplung, Kupplungsfedern und Kupplungstrommel auf Verschlei.			X
Tauschen Sie die Zundkerze aus.			X

So stellen Sie die Leerlaufdrehzahl ein

Stellen Sie sicher, dass der Luftfilter sauber ist und der Luftfilterdeckel befestigt wurde, bevor Sie die Leerlaufdrehzahl einstellen.

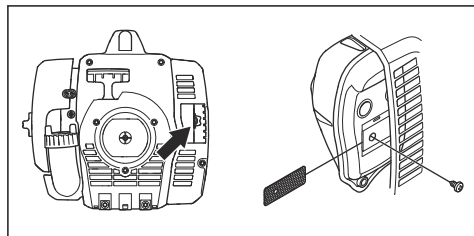
1. Drehen Sie die mit „T“ markierte Schraube im Uhrzeigersinn, bis sich die Schneidausrustung zu drehen beginnt.



2. Drehen Sie die mit „T“ markierte Schraube fur die Leerlaufdrehzahl entgegen dem Uhrzeigersinn, bis die Schneidausrustung zum Stillstand kommt.
3. Die Leerlaufdrehzahl muss niedriger sein als die Geschwindigkeit, bei der sich die Schneidausrustung zu drehen beginnt. Die Leerlaufdrehzahl ist richtig eingestellt, wenn der Motor in allen Stellungen gleichmaig lauft.

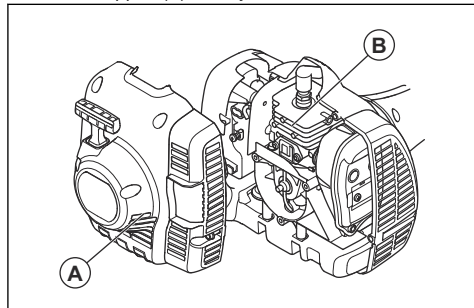
So warten Sie den Funkenschutz

- Reinigen Sie den Funkenschutz mit einer Drahtburste.



So reinigen Sie das Kuhlsystem

- Reinigen Sie den Lufteinlass (A) des Anlassers und die Kuhlrippen (B) des Zylinders mit einer Burste.

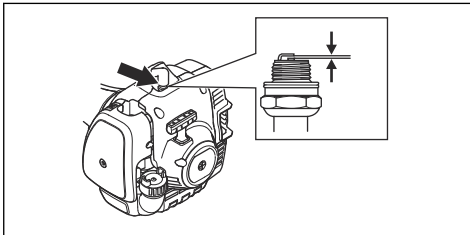


So überprüfen Sie die Zündkerze



ACHTUNG: Verwenden Sie die empfohlene Zündkerze. Stellen Sie sicher, dass ein Ersatzteil mit dem vom Hersteller gelieferten Teil identisch ist. Eine falsche Zündkerze kann zu Schäden am Gerät führen. Stellen Sie sicher, dass die Zündkerze eine sog. Funkenstörung hat. Ihr Servicehändler steht Ihnen gern für weitere Informationen zur Verfügung.

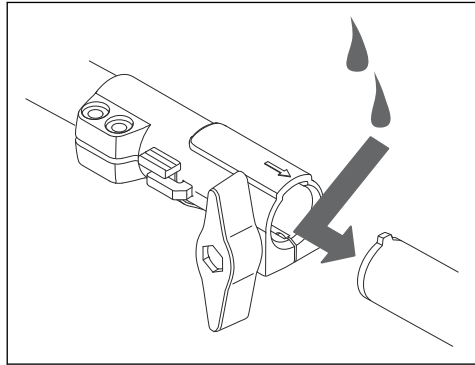
- Überprüfen Sie die Zündkerze, wenn...
 - der Motor zu wenig Leistung erbringt.
 - der Motor sich nicht leicht starten lässt.
 - der Motor nicht ordnungsgemäß im Leerlauf funktioniert.
- Untersuchen Sie die Zündkerze auf unerwünschtes Material, wenn sich der Motor nicht leicht starten und betreiben lässt. So verringern Sie die Gefahr von unerwünschtem Material an den Elektroden der Zündkerze:
 - Vergewissern Sie sich, dass die Leerlaufdrehzahl richtig eingestellt ist.
 - Vergewissern Sie sich, dass das Kraftstoffgemisch korrekt ist.
 - Vergewissern Sie sich, dass der Luftfilter sauber ist.
- Reinigen Sie die Zündkerze, wenn sie schmutzig ist. Stellen Sie sicher, dass der Elektrodenabstand korrekt ist. Siehe *Technische Angaben auf Seite 118*.



- Tauschen Sie die Zündkerze bei Bedarf aus.

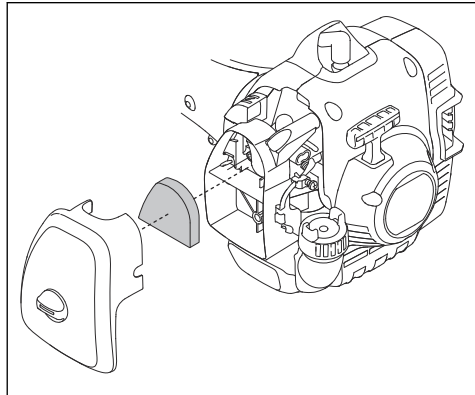
So tragen Sie Schmierfett auf das zweiteilige Führungsrohr auf

- Schmieren Sie das Ende der Antriebswelle nach jeweils 30 Betriebsstunden.



Reinigen des Luftfilters

- Nehmen Sie Luftfilterdeckel und Luftfilter ab.



- Reinigen Sie den Luftfilter mit warmer Seifenlauge. Achten Sie darauf, dass der Luftfilter trocken ist, bevor Sie ihn wieder einbauen.
- Tauschen Sie den Luftfilter aus, falls er für eine Reinigung zu stark verschmutzt ist. Tauschen Sie einen beschädigten Luftfilter unbedingt aus.
- Wenn sich in Ihrem Gerät ein Luftfilter aus Schaumstoff befindet, tragen Sie Luftfilteröl auf. Verwenden Sie Luftfilteröl ausschließlich bei Schaumstofffiltern. Tragen Sie auf keinen Fall Öl auf einen Filzfilter auf.

So tragen Sie Luftfilteröl auf den Luftfilter auf

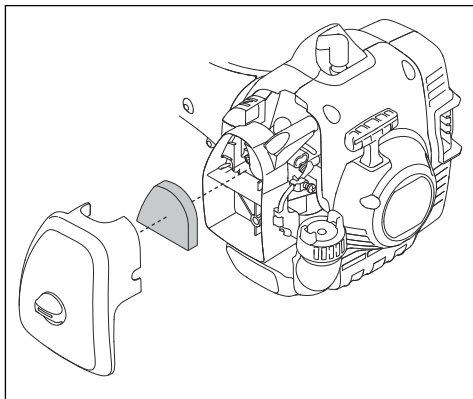


ACHTUNG: Verwenden Sie grundsätzlich spezielles Luftfilteröl auf Schaumstoff-Luftfiltern. Verwenden Sie keine anderen Arten von Öl.



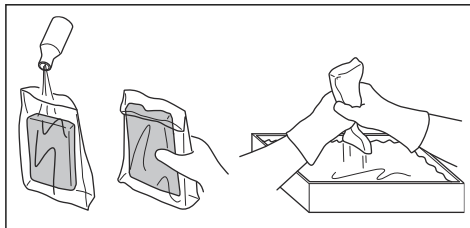
WARNUNG: Lassen Sie das Öl nicht auf die Haut kommen.

1. Nehmen Sie Luftfilterdeckel und Luftfilter ab.



2. Stecken Sie den Luftfilter in einen Plastikbeutel.

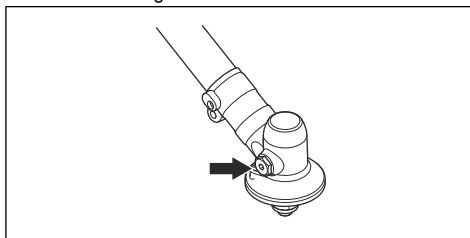
3. Schütten Sie das Luftfilteröl in den Plastikbeutel.



4. Drücken Sie die Plastiktüte, um sicherzustellen, dass sich das Öl gleichmäßig über den Luftfilter verteilt.
5. Drücken Sie auf den Luftfilter in dem Beutel, um überflüssiges Luftfilteröl zu entfernen. Nehmen Sie den Luftfilter aus dem Beutel.
6. Montieren Sie den Luftfilter.

So fetten Sie das Winkelgetriebe nach

- Stellen Sie sicher, dass das Winkelgetriebe zu $\frac{3}{4}$ mit Schmiermittel gefüllt ist.



Fehlerbehebung

Der Motor springt nicht an

Prüfung	Mögliche Ursache	Empfohlene Vorgehensweise
Starterklinken	Die Starterklinken sind nicht frei beweglich.	Entfernen Sie das Gehäuse der Startvorrichtung und reinigen Sie den Bereich um die Starterklinken.
		Wenden Sie sich an einen zugelassenen Servicehändler.
Kraftstofftank.	Falsche Kraftstoffsorte.	Wechseln Sie den Kraftstoff aus.

Prüfung	Mögliche Ursache	Empfohlene Vorgehensweise
Zündkerze.	Die Zündkerze ist verschmutzt oder nass.	Stellen Sie sicher, dass die Zündkerze sauber und trocken ist.
	Zündkerze mit falschem Elektrodenabstand.	Reinigen Sie die Zündkerze. Stellen Sie sicher, dass der Elektrodenabstand korrekt ist. Stellen Sie sicher, dass die Zündkerze eine sog. Funkentstörung hat. Unter <i>Technische Angaben auf Seite 118</i> finden Sie den richtigen Elektrodenabstand.
	Die Zündkerze sitzt lose.	Zündkerze festziehen.

Der Motor startet, geht aber wieder aus.

Prüfung	Mögliche Ursache	Empfohlene Vorgehensweise
Kraftstofftank	Falsche Kraftstoffsorte.	Wechseln Sie den Kraftstoff aus.
Luftfilter	Der Luftfilter ist verstopft.	Reinigen Sie den Luftfilter.

Transport und Lagerung

- Lassen Sie das Gerät vor der Lagerung stets abkühlen.
 - Für die Lagerung und den Transport des Geräts und des Kraftstoffs ist darauf zu achten, dass keine Lecks oder Dämpfe vorhanden sind. Funken oder offene Flammen, zum Beispiel von elektrischen Geräten oder einem Boiler, können ein Feuer auslösen.
 - Verwenden Sie für die Lagerung und den Transport von Kraftstoff immer zugelassene Behälter.
 - Leeren Sie den Kraftstofftank vor dem Transport oder vor der Langzeitaufbewahrung.
- Entsorgen Sie den Kraftstoff in einer geeigneten Abfallentsorgungsstelle.
 - Bringen Sie den Transportschutz während des Transports und der Lagerung an.
 - Entfernen Sie die Zündkappe von der Zündkerze.
 - Befestigen Sie das Gerät während des Transports. Sorgen Sie dafür, dass sich das Gerät während des Transports nicht bewegen kann.
 - Reinigen und warten Sie das Gerät, bevor Sie es für längere Zeit einlagern.

Technische Angaben

Technische Angaben

	122C	122LK
Motor		
Hubraum, cm ³	21,7	21,7
Leerlaufdrehzahl, U/min.	2900	2900
Empfohlene max. Drehzahl U/min	7200	9100
Drehzahl der Abtriebswelle, U/min	7200	6232

	122C	122LK
Leistung/Motorhöchstleistung gemäß ISO 8893, kW/PS bei U/min	0,6/0,8 bei 7800	0,6/0,8 bei 7800
Katalysatorschalldämpfer	Ja	Ja
Drehzahlgeregeltes Zündsystem	Nein	Nein
Zündanlage		
Zündkerze	HQT-4 672201	HQT-4 672201
Elektrodenabstand, mm	0,5	0,5
Kraftstoffsystem		
Volumen des Kraftstofftanks, l/cm ³	0,3/300	0,3/300
Gewicht		
Gewicht, ohne Kraftstoff, Schneidausrüstung und Schutz, kg	4,4	4,8
Geräuschemissionen ¹⁶		
Schalleistungspegel, gemessen, dB(A)	102	104
Schalleistungspegel, garantiert (L _{WA}), dB(A)	104	108
Geräuschpegel ¹⁷		
Äquivalenter Schalldruckpegel am Ohr des Anwenders, gemessen gemäß EN/ISO 11806 und ISO 22868, in [dB(A)]	88	90
Vibrationswerte ¹⁸		
Äquivalenter Vibrationspegel (a _{hv, eq}), ausgestattet mit Trimmerkopf, linker Griff, m/s ²	5,0	3,6
Äquivalenter Vibrationspegel (a _{hv, eq}), ausgestattet mit Trimmerkopf, rechter Griff, m/s ²	3,6	3,5

Zubehör

Zubehör

122C		
Zugelassenes Zubehör	Typ	Schutz für die Schneidausrüstung
Gewindwelle	3/8 R	–

¹⁶ Umweltbelastende Geräuschemissionen, gemessen als Schalleistung (L_{WA}) gemäß EG-Richtlinie 2000/14/EG. Der aufgezeichnete Lautstärkepegel für das Gerät wurde unter Verwendung der originalen Schneidausrüstung mit dem höchsten Pegel gemessen. Die Differenz zwischen garantiertem und gemessenem Schalleistungspegel besteht darin, dass beim garantierten Schalleistungspegel auch eine Streuung im Messergebnis und Variationen zwischen verschiedenen Geräten desselben Modells gemäß der Richtlinie 2000/14/EG berücksichtigt werden.

¹⁷ Berichten zufolge liegt der Schalldruckpegel für dieses Gerät normalerweise bei einer Ausbreitungsklasse (Standardabweichung) von 1 dB (A).

¹⁸ Berichten zufolge liegt der äquivalente Vibrationspegel normalerweise bei einer Ausbreitungsklasse (Standardabweichung) von 1 m/s².

Trimmerkopf	T25 (Faden mit Ø 2,0–2,4 mm)	574 47 95-01
	T25C (Ø 2,0-2,7 mm Kabel)	
	R25 (Faden mit Ø 2,0 – 2,4 mm)	
122LK		
Zugelassenes Zubehör	Typ	Schutz für die Schneidausrüstung
Gewindwelle	M10	–
Trimmerkopf	T25 (Faden mit Ø 2,0–2,4 mm)	574 19 87-01
	R25 (Ø 2,0-2,4 mm Kabel)	

Folgendes Zubehör wird für die nachstehenden Modelle empfohlen.

Zugelassene Anbaugeräte	Typ	Verwenden mit
Kehrwalzenaufsatz	SR600-2	122LK
Heckenscherenaufsatz	HA200	122LK
Heckenscherenaufsatz	HA860	122LK
Kantenschneiderzusatz	ECA850, ESA860	122LK
Sägezusatz	PA1100	122LK
Verlängerungszusatz	EX780	122LK
Kultivatoraufsatz	CA230	122LK
Laubblasgerätaufsatz	BA101	122LK
Kehrbürstenaufsatz	BR600	122LK
Vertikutiereraufsatz	DT600	122LK

Konformitätserklärung

EU-Konformitätserklärung

Die Husqvarna AB, SE-561 82 Huskvarna,
Schweden, Tel.: +46-36-146500, erklären in alleiniger
Verantwortung, dass das Gerät:

Beschreibung	Benzinbetriebener Rasentrimmer/Benzinbetriebene Motorsense
Marke	Husqvarna
Typ/Modell	122C, 122LK
Identifizierung	Seriennummer ab 2022

die folgenden EU-Richtlinien und -Verordnungen erfüllt:

Verordnung	Beschreibung
2006/42/EG	„über Maschinen“
2014/30/EG	„über elektromagnetische Verträglichkeit“
2000/14/EG	„über umweltbelastende Geräuschemissionen“
2011/65/EG	„Beschränkung der Verwendung bestimmter gefährlicher Stoffe“

Die folgenden Normen werden erfüllt:

EN ISO 12100:2010, EN ISO 11806-1:2011, ISO
14982:1998, CISPR 12:2007+A1:2009, EN IEC
63000:2018

RISE SMP Svensk Maskinprovning AB, Box 7035,
SE-750 07 Uppsala, Sweden, hat im Auftrag
von Husqvarna AB eine freiwillige Typenprüfung
durchgeführt.

Die Zertifikate haben die Nummern: 122C -
SEC/10/2271, 122LK - SEC/10/2272

RISE SMP Svensk Maskinprovning AB, hat auch
die Übereinstimmung mit Anhang V der Richtlinie
2000/14/EG des Rates bestätigt.

Die Zertifikate haben die Nummern: 122C - 01/164/068,
122LK - 01/164/067.

Huskvarna 2022-05-13



Claes Losdal, R&D Manager, Husqvarna AB

Verantwortlich für die technische Dokumentation



Περιεχόμενα

Εισαγωγή.....	122	Αντιμετώπιση προβλημάτων.....	138
Ασφάλεια.....	124	Μεταφορά και αποθήκευση.....	139
Συναρμολόγηση.....	130	Τεχνικά στοιχεία.....	139
Λειτουργία.....	131	Αξεσουάρ.....	141
Συντήρηση.....	135	Δήλωση Συμμόρφωσης.....	142

Εισαγωγή

Περιγραφή προϊόντος

Το προϊόν είναι ένα χορτοκοπτικό με κινητήρα εσωτερικής καύσης.

Εργαζόμεστε συνεχώς για απολαμβάνετε μεγαλύτερη ασφάλεια και υψηλότερη απόδοση κατά τη διάρκεια της εργασίας. Απευθυνθείτε στον αντιπρόσωπο σέρβις για περισσότερες πληροφορίες.

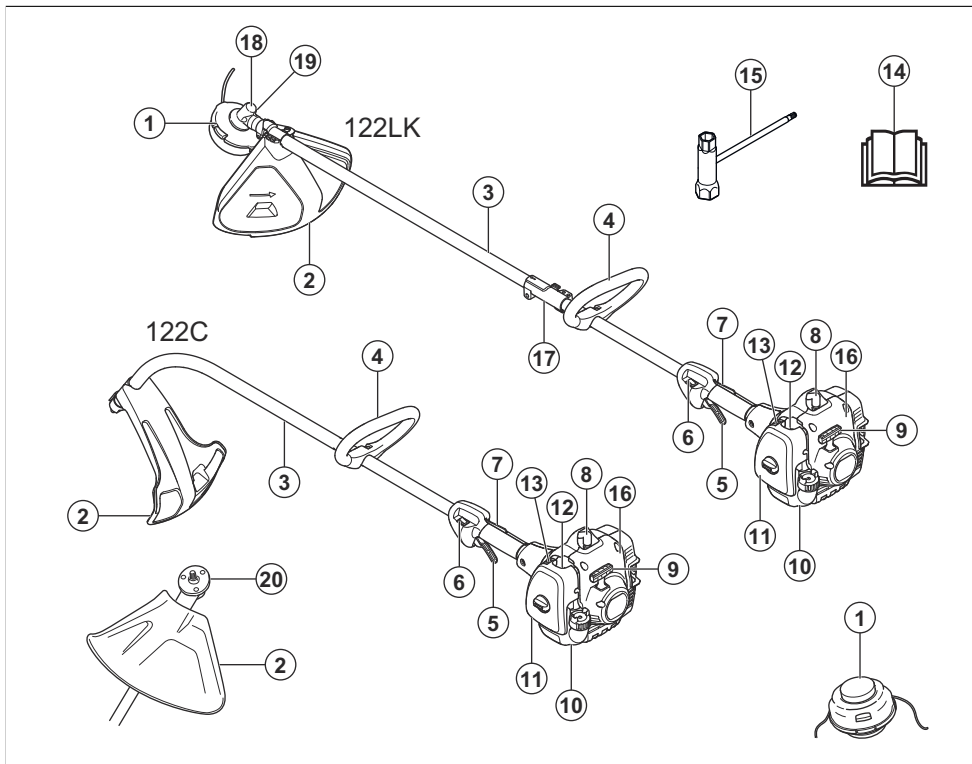
Προβλεπόμενη χρήση

Το προϊόν χρησιμοποιείται με κεφαλή χορτοκοπτικού για την κοπή χόρτων. Μην χρησιμοποιείτε το προϊόν για

άλλες εργασίες εκτός από την κοπή και τον καθαρισμό χόρτων.

Περιεχόμενα Μπορεί να ισχύουν εθνικοί κανονισμοί που θέτουν όρια στη χρήση του προϊόντος.

Επισκόπηση προϊόντος



1. Κεφαλή χορτοκοπτικού
2. Προστατευτικό εξαρτήματος κοπής
3. Άξονας
4. Χειρολαβή τύπου βρόγχου
5. Σκανδάλη γκαζιού
6. Διακόπτης διακοπής λειτουργίας
7. Ασφάλεια σκανδάλης γκαζιού
8. Καπάκι μπουζί και μπουζί
9. Λαβή εκκίνησης
10. Ντεπόζιτο καυσίμου
11. Κάλυμμα φίλτρου αέρα
12. Φούσκα πλήρωσης χειροκίνητης αντλίας καυσίμου (πουάρ)
13. Χειριστήριο τσοκ
14. Εγχειρίδιο χρήσης
15. Γερμανοπολύγωνο κλειδί
16. Περίβλημα συστήματος εκκίνησης
17. Σύνδεσμος άξονα
18. Κωνικό γρανάζι
19. Τάπα πλήρωσης γράσου, γωνιακή κίνηση
20. Δίσκος μετάδοσης

Σύμβολα στο προϊόν



ΠΡΟΕΙΔΟΠΟΙΗΣΗ! Αυτό το προϊόν είναι επικίνδυνο. Μπορεί να προκληθεί τραυματισμός ή θάνατος του χειριστή ή των παρευρισκόμενων αν το προϊόν δεν χρησιμοποιείται προσεκτικά και σωστά. Για να αποτραπεί ο τραυματισμός του χειριστή ή των παρευρισκόμενων, διαβάστε και τηρείτε όλες τις οδηγίες ασφαλείας που αναφέρονται στο εγχειρίδιο χρήσης.



Προτού χρησιμοποιήσετε το προϊόν, διαβάστε προσεκτικά το εγχειρίδιο χρήσης και βεβαιωθείτε ότι έχετε κατανοήσει τις οδηγίες.



Χρησιμοποιείτε ένα κράνος προστασίας σε σημεία όπου μπορεί να πέσουν αντικείμενα επάνω σας. Χρησιμοποιείτε εγκεκριμένη προστασία

ακοής. Χρησιμοποιείτε εγκεκριμένη προστασία ματιών.



Μέγιστη ταχύτητα του άξονα εξόδου.



Το προϊόν συμμορφώνεται με τις ισχύουσες οδηγίες ΕΚ.



Το προϊόν μπορεί να προκαλέσει την εκτίναξη αντικειμένων, το οποίο μπορεί να προκαλέσει τραυματισμό.



Για όση ώρα λειτουργεί το προϊόν, να διατηρείτε ελάχιστη απόσταση 15 μέτρων από πρόσωπα και ζώα.



Χρησιμοποιείτε εγκεκριμένα προστατευτικά γάντια.



Χρησιμοποιήστε αντολισθητικές μπότες βαρέος τύπου.



Χρησιμοποιείτε μόνο εύκαμπτο σύρμα κοπής. Μην χρησιμοποιείτε μεταλλικά παρελκόμενα κοπής.



Ετικέτα εκπομπών θορύβου στο περιβάλλον σύμφωνα με οδηγίες και κανονισμούς της ΕΕ και του Η.Β. και τη νομοθεσία της Νότιας Νέας Ουαλίας Κανονισμός για την προστασία των περιβαλλοντικών δράσεων (έλεγχος θορύβου) του 2017. Η εγγυημένη στάθμη θορύβου του προϊόντος καθορίζεται στην ενότητα *Τεχνικά στοιχεία στη σελίδα 139* και στην ετικέτα.



Φούσκα πλήρωσης χειροκίνητης αντλίας καυσίμου (πουάρ).



Τσοκ.



Αυτό το προϊόν συμμορφώνεται με τις ισχύουσες οδηγίες του Η.Β.

yyyywwxxxx

Η πινακίδα ονομαστικών τιμών δείχνει τον αριθμό σειράς. Το **yyyy** είναι το έτος παραγωγής, το **ww** είναι η εβδομάδα παραγωγής.

Περιεχόμενα Άλλα σύμβολα/σήματα που υπάρχουν στο προϊόν αναφέρονται σε απαιτήσεις πιστοποίησης για άλλες εμπορικές περιοχές.

Εκπομπές Euro V



ΠΡΟΕΙΔΟΠΟΙΗΣΗ: Οποιαδήποτε μη εξουσιοδοτημένη παρέμβαση στον κινητήρα ακυρώνει την έγκριση τύπου ΕΕ αυτού του προϊόντος.

Βοήθεια πελατών

Για βοήθεια πελατών, καλέστε: 1-800-487-5951 ή επισκεφθείτε τη διεύθυνση www.husqvarna.com.

Ευθύνη προϊόντος

Όπως αναφέρεται στη νομοθεσία περί ευθύνης για τα προϊόντα, δεν φέρουμε καμία ευθύνη για ζημιές που οφείλονται στο προϊόν μας εάν:

- Το προϊόν έχει επισκευαστεί λανθασμένα.
- Το προϊόν έχει επισκευαστεί με εξαρτήματα που δεν προέρχονται από τον κατασκευαστή ή που δεν έχουν εγκριθεί από τον κατασκευαστή.
- Το προϊόν διαθέτει ένα αξεσουάρ που δεν προέρχεται από τον κατασκευαστή ή που δεν έχει εγκριθεί από τον κατασκευαστή.
- Το προϊόν δεν έχει επισκευαστεί σε εγκεκριμένο κέντρο σέρβις ή από εγκεκριμένη αρχή.

Ασφάλεια

Ορισμοί για την ασφάλεια

Για την επισήμανση ειδικών σημαντικών τμημάτων του εγχειριδίου χρησιμοποιούνται προειδοποιήσεις, συστάσεις προσοχής και σημειώσεις.



ΠΡΟΕΙΔΟΠΟΙΗΣΗ: Χρησιμοποιείται όταν υπάρχει κίνδυνος τραυματισμού ή θανάτου του χειριστή ή άλλων παριστάμενων ατόμων, αν δεν τηρηθούν οι οδηγίες που παρέχονται στο εγχειρίδιο.



ΠΡΟΣΟΧΗ: Χρησιμοποιείται όταν υπάρχει κίνδυνος πρόκλησης ζημιάς στο προϊόν, σε άλλα υλικά ή στον παρακείμενο χώρο, αν δεν τηρηθούν οι οδηγίες που παρέχονται στο εγχειρίδιο.

Περιεχόμενα Χρησιμοποιείται για παροχή περισσότερων πληροφοριών, οι οποίες χρειάζονται σε μια δεδομένη κατάσταση.

Γενικές οδηγίες ασφαλείας



ΠΡΟΕΙΔΟΠΟΙΗΣΗ: Προτού χρησιμοποιήσετε το προϊόν, διαβάστε τις παρακάτω προειδοποιητικές οδηγίες.

- Χρησιμοποιήστε σωστά το προϊόν. Λόγω της εσφαλμένης χρήσης μπορεί να προκληθεί τραυματισμός ή θάνατος. Χρησιμοποιήστε το προϊόν μόνο για τις εργασίες που αναφέρονται στο παρόν εγχειρίδιο. Μην χρησιμοποιείτε το προϊόν για άλλες εργασίες.
- Τηρείτε τις οδηγίες του παρόντος εγχειριδίου. Τηρείτε τα σύμβολα ασφαλείας και τις οδηγίες ασφαλείας. Εάν ο χειριστής δεν τηρεί τις οδηγίες και τα σύμβολα, μπορεί να προκληθεί τραυματισμός, ζημιά ή θάνατος.
- Μην απορρίψετε αυτό το εγχειρίδιο. Χρησιμοποιήστε τις οδηγίες για τη συναρμολόγηση, τη χρήση και τη διατήρηση του προϊόντος σε καλή κατάσταση. Χρησιμοποιήστε τις οδηγίες για τη σωστή εγκατάσταση των εξαρτημάτων και των παρελκόμενων. Να χρησιμοποιείτε μόνο εγκεκριμένα εξαρτήματα και παρελκόμενα.
- Δεν πρέπει να χρησιμοποιείτε το προϊόν αν έχει υποστεί ζημιά. Να τηρείτε το πρόγραμμα συντήρησης. Να εκτελείτε μόνο τις εργασίες συντήρησης που αναφέρονται σε οδηγίες του παρόντος εγχειριδίου. Όλες οι υπόλοιπες εργασίες συντήρησης πρέπει να εκτελούνται από ένα εγκεκριμένο κέντρο σέρβις.
- Το παρόν εγχειρίδιο δεν περιλαμβάνει όλες τις καταστάσεις που μπορεί να προκύψουν κατά τη χρήση του προϊόντος. Να είστε προσεκτικοί και να χρησιμοποιείτε την κοινή λογική. Μην χρησιμοποιείτε το προϊόν και μην εκτελείτε συντήρηση σε αυτό, εάν δεν είστε σίγουροι για την κατάσταση. Απευθυνθείτε σε έναν ειδικό για το προϊόν, τον αντιπρόσωπό σας, τον αντιπρόσωπο σέρβις ή ένα εγκεκριμένο κέντρο σέρβις για πληροφορίες.
- Αποσυνδέστε το καλώδιο του μπουζί πριν από τη συναρμολόγηση του προϊόντος, την τοποθέτησή του στην περιοχή αποθήκευσης ή την εκτέλεση εργασιών συντήρησης.
- Μην χρησιμοποιείτε το προϊόν εάν τροποποιηθεί από τις αρχικές του προδιαγραφές. Μην αλλάξετε ένα εξάρτημα του προϊόντος χωρίς έγκριση από τον κατασκευαστή. Πρέπει να χρησιμοποιείτε μόνο εξαρτήματα εγκεκριμένα από τον κατασκευαστή.

Σε περίπτωση εσφαλμένης συντήρησης, μπορεί να προκληθεί τραυματισμός ή θάνατος.

- Μην αναπνέετε τα καυσάερια από τον κινητήρα. Η μακροχρόνια εισπνοή των αναθυμιάσεων της εξάτμισης του κινητήρα είναι επικίνδυνη για την υγεία.
- Μην θέτετε το προϊόν σε λειτουργία σε εσωτερικό χώρο ή κοντά σε εύφλεκτα υλικά. Οι αναθυμιάσεις της εξάτμισης είναι καυτές και μπορεί να προκαλέσει σπινθήρες που μπορεί να προκαλέσουν πυρκαγιά. Η ανεπαρκής ροή αέρα μπορεί να προκαλέσει τραυματισμό ή θάνατο λόγω ασφυξίας ή μονοξειδίου του άνθρακα.
- Όταν χρησιμοποιείτε αυτό το προϊόν, ο κινητήρας δημιουργεί ηλεκτρομαγνητικό πεδίο. Το ηλεκτρομαγνητικό πεδίο μπορεί να προκαλέσει ζημιά στα ιατρικά εμφυτεύματα. Προτού χρησιμοποιήσετε το προϊόν, συμβουλευθείτε το γιατρό σας ή τον κατασκευαστή του ιατρικού εμφυτεύματος.
- Μην επιτρέψετε σε παιδιά να χρησιμοποιήσουν το προϊόν. Μην αφήνετε να χρησιμοποιήσουν το προϊόν άτομα που δεν γνωρίζουν τις οδηγίες.
- Φροντίστε να παρακολουθείτε πάντα τα άτομα με μειωμένες σωματικές ή διανοητικές ικανότητες που χρησιμοποιούν το προϊόν. Πρέπει να είναι παρών ένας υπεύθυνος ενήλικας ανά πάσα στιγμή.
- Ασφαλίστε το προϊόν σε σημείο στο οποίο δεν έχουν πρόσβαση παιδιά και μη εγκεκριμένα άτομα.
- Το προϊόν μπορεί να εκτινάξει αντικείμενα και να προκληθούν τραυματισμοί. Τηρείτε τις οδηγίες ασφαλείας για να μειώσετε τον κίνδυνο τραυματισμού ή θανάτου.
- Μην απομακρύνετε από το προϊόν όταν ο κινητήρας είναι σε λειτουργία.
- Ο χειριστής του προϊόντος είναι υπεύθυνος σε περίπτωση ατυχήματος.
- Βεβαιωθείτε ότι τα εξαρτήματα δεν έχουν υποστεί ζημιά πριν χρησιμοποιήσετε το προϊόν.
- Προτού χρησιμοποιήσετε το προϊόν, βεβαιωθείτε ότι βρίσκετε σε απόσταση τουλάχιστον 15 m (50 ft) από άλλα άτομα ή ζώα. Βεβαιωθείτε ότι τα άτομα που βρίσκονται κοντά γνωρίζουν ότι θα χρησιμοποιήσετε το προϊόν.
- Ανατρέξτε στην εθνική ή τοπική νομοθεσία. Μπορεί να εμποδίσει ή να μειώσει τη λειτουργία του προϊόντος σε ορισμένες περιπτώσεις.
- Μην χρησιμοποιείτε το προϊόν αν είστε κουρασμένοι ή υπό την επήρεια αλκοόλ, ναρκωτικών ή φαρμάκων. Μπορεί να επηρεαστεί αρνητικά η όραση, η εγρήγορση, ο συντονισμός ή η κρίση σας.

Οδηγίες ασφαλείας για τη συναρμολόγηση



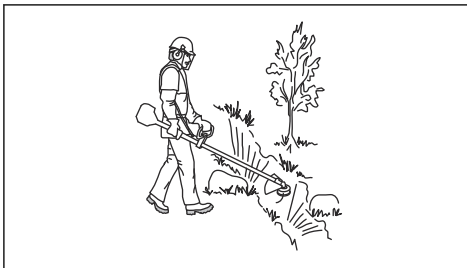
ΠΡΟΕΙΔΟΠΟΙΗΣΗ: Προτού χρησιμοποιήσετε το προϊόν, διαβάστε τις παρακάτω προειδοποιητικές οδηγίες.

- Αφαιρέστε το καπάκι από το μπουζί πριν από τη συναρμολόγηση του προϊόντος.
- Χρησιμοποιείτε εγκεκριμένα προστατευτικά γάντια.
- Βεβαιωθείτε ότι έχετε συναρμολογήσει σωστά το κάλυμμα και τον άξονα προτού βάλετε μπροστά τον κινητήρα.

Οδηγίες ασφαλείας για τη λειτουργία

- Βεβαιωθείτε ότι το προϊόν είναι πλήρως συναρμολογημένο πριν από τη χρήση του.
- Πριν από την εκκίνηση, μετακινήστε το προϊόν σε απόσταση 3 m (10 ft) από το σημείο όπου γεμίζετε το ντεπόζιτο καυσίμου. Τοποθετήστε το προϊόν σε επίπεδη επιφάνεια. Βεβαιωθείτε ότι το παρελκόμενο κοπής δεν έρχεται σε επαφή με το έδαφος ή με άλλα αντικείμενα.
- Το προϊόν μπορεί να προκαλέσει την εκτίναξη αντικειμένων, τα οποία μπορούν να προκαλέσουν ζημιά στα μάτια. Χρησιμοποιήστε πάντα εγκεκριμένη προστασία των ματιών κατά τη χρήση του προϊόντος.
- Να είστε προσεκτικοί! Ένα παιδί μπορεί να πλησιάσει στο προϊόν εν αγνοία σας κατά τη διάρκεια της λειτουργίας.
- Μην χρησιμοποιείτε το προϊόν εάν υπάρχουν άτομα στο χώρο εργασίας. Σταματήστε τη λειτουργία του προϊόντος εάν ένα άτομο μπει στο χώρο εργασίας.
- Βεβαιωθείτε ότι έχετε πάντα τον έλεγχο του προϊόντος.
- Μην χρησιμοποιείτε το προϊόν εάν δεν μπορείτε να λάβετε βοήθεια σε περίπτωση ατυχήματος. Διασφαλίστε πάντα ότι τα υπόλοιπα άτομα γνωρίζουν ότι θα χρησιμοποιήσετε το προϊόν πριν ξεκινήσετε να το χρησιμοποιείτε.
- Μην γυρίζετε με το προϊόν πριν να βεβαιωθείτε ότι δεν υπάρχουν άτομα ή ζώα στην περιοχή ασφαλείας.
- Απομακρύνετε όλα τα ανεπιθύμητα υλικά από την περιοχή εργασίας πριν ξεκινήσετε. Εάν το παρελκόμενο κοπής χτυπήσει κάποιο αντικείμενο, το αντικείμενο μπορεί να εκτιναχθεί και να προκληθεί τραυματισμός ή ζημιά. Γύρω από το παρελκόμενο κοπής μπορεί να τυλιχθεί ανεπιθύμητο υλικό και να προκαλέσει ζημιά.
- Μην χρησιμοποιείτε το προϊόν σε κακές καιρικές συνθήκες (ομίχλη, βροχή, ισχυρούς ανέμους, κίνδυνο κεραυνού ή άλλες καιρικές συνθήκες). Μπορεί να προκύψουν επικίνδυνες συνθήκες (όπως ολισθηρές επιφάνειες) λόγω κακοκαιρίας.

- Φροντίστε να είστε σε θέση να μετακινήσετε ελεύθερα και να εργάζεστε σε σταθερή θέση.



- Βεβαιωθείτε ότι δεν μπορείτε να πέσετε όταν χρησιμοποιείτε το προϊόν. Μην γέρνετε όταν χρησιμοποιείτε το προϊόν.
- Κρατάτε πάντα το προϊόν και με τα δύο σας χέρια. Να κρατάτε το προϊόν στη δεξιά πλευρά του σώματός σας.



- Χρησιμοποιήστε το προϊόν με το παρελκόμενο κοπής κάτω από τη μέση σας.
- Εάν το χειριστήριο τσok βρίσκεται στη θέση του τσok κατά την εκκίνηση του κινητήρα, το παρελκόμενο κοπής αρχίζει να περιστρέφεται.
- Μην αγγίζετε το κωνικό γρανάζι μετά το σβήσιμο του κινητήρα. Το κωνικό γρανάζι είναι καυτό μετά το σβήσιμο του κινητήρα. Οι καυτές περιοχές μπορεί να προκαλέσουν τραυματισμό.
- Σβήστε τον κινητήρα πριν μετακινήσετε το προϊόν.
- Μην ακουμπάτε το προϊόν με τον κινητήρα σε λειτουργία.
- Πριν απομακρύνετε τα ανεπιθύμητα υλικά από το προϊόν, σβήστε τον κινητήρα και περιμένετε μέχρι να σταματήσει το παρελκόμενο κοπής. Αφήστε το παρελκόμενο κοπής να σταματήσει προτού το κομμένο υλικό να απομακρυνθεί από εσάς ή ένα βοηθό.

Προσωπικός εξοπλισμός προστασίας



ΠΡΟΕΙΔΟΠΟΙΗΣΗ: Προτού χρησιμοποιήσετε το προϊόν, διαβάστε τις παρακάτω προειδοποιητικές οδηγίες.

- Όταν χρησιμοποιείτε το προϊόν, να φοράτε πάντα εγκεκριμένο προσωπικό εξοπλισμό προστασίας. Ο προσωπικός εξοπλισμός προστασίας δεν μπορεί να

εξαλείφει τον κίνδυνο τραυματισμών, ωστόσο μειώνει τη σοβαρότητά τους σε περίπτωση ατυχήματος. Ο αντιπρόσωπος θα σας βοηθήσει να επιλέξετε το σωστό εξοπλισμό.

- Να χρησιμοποιείτε κράνος προστασίας στις περιπτώσεις όπου υπάρχει κίνδυνος πτώσης αντικειμένων.
- Να χρησιμοποιείτε εγκεκριμένα προστατευτικά ακοής που παρέχουν επαρκή μείωση θορύβου. Η μακροχρόνια έκθεση στο θόρυβο μπορεί να προκαλέσει μόνιμη βλάβη στην ακοή.
- Πρέπει να χρησιμοποιείτε εγκεκριμένα μέσα προστασίας των ματιών. Εάν χρησιμοποιείτε προστατευτικό γείσο, πρέπει επίσης να χρησιμοποιείτε πάντα εγκεκριμένα προστατευτικά γυαλιά. Τα εγκεκριμένα προστατευτικά γυαλιά πρέπει να συμμορφώνονται με το πρότυπο ANSI Z87.1 στις Η.Π.Α. ή το πρότυπο EN 166 στις χώρες της Ε.Ε.
- Χρησιμοποιήστε προστατευτικό γείσο για την προστασία του προσώπου. Το προστατευτικό γείσο δεν επαρκεί για την προστασία των ματιών.



- Όταν χρειάζεται, να χρησιμοποιείτε γάντια, για παράδειγμα κατά την τοποθέτηση, την επιθεώρηση ή τον καθαρισμό του εξοπλισμού κοπής.
- Φοράτε ανθεκτικές και αντιολισθητικές μπότες.
- Να φοράτε ρούχα από ανθεκτικό ύφασμα. Να φοράτε πάντα ανθεκτικό μακρύ παντελόνι και μακριά μανίκια. Να μην φοράτε φαρδιά ρούχα που μπορεί να πιαστούν σε κλωνάρια και κλαδιά. Να μην φοράτε κοσμήματα, κοντά παντελόνια, σανδάλια και να μην είστε ξυπόλυτοι. Να δένετε τα μαλλιά σας με ασφάλεια πάνω από το ύψος των ώμων.



- Να φροντίζετε να υπάρχει εξοπλισμός πρώτων βοηθειών σε κοντινή απόσταση.



Συσκευές ασφαλείας στο προϊόν

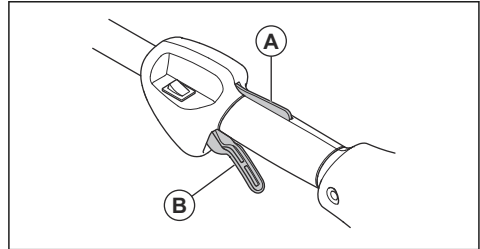


ΠΡΟΕΙΔΟΠΟΙΗΣΗ: Προτού χρησιμοποιήσετε το προϊόν, διαβάστε τις παρακάτω προειδοποιητικές οδηγίες.

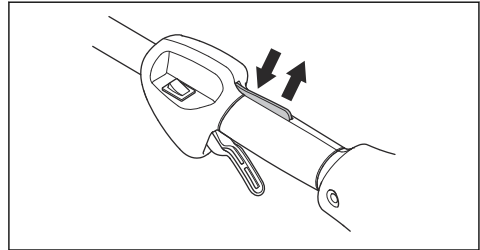
- Μην χρησιμοποιείτε ποτέ το προϊόν, αν υπάρχουν ελαττωματικές συσκευές ασφαλείας.
- Πρέπει να κάνετε τακτικά έλεγχο των συσκευών ασφαλείας. Ανατρέξτε στην ενότητα *Πρόγραμμα συντήρησης στη σελίδα 135*.
- Αν οι συσκευές ασφαλείας είναι ελαττωματικές, απευθυνθείτε στον αντιπρόσωπο σέρβις της Husqvarna.

Για τον έλεγχο της ασφάλειας σκανδάλης γκαζιού

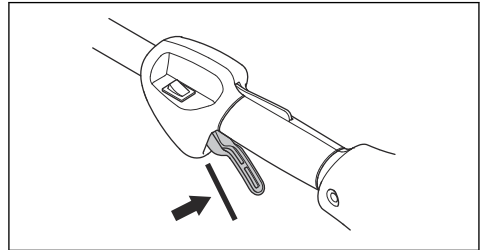
1. Βεβαιωθείτε ότι η ασφάλεια σκανδάλης γκαζιού (A) και η σκανδάλη γκαζιού (B) κινούνται ελεύθερα και το ελατήριο επαναφοράς λειτουργεί σωστά.



2. Πιέστε προς τα κάτω την ασφάλεια της σκανδάλης του γκαζιού και βεβαιωθείτε ότι επιστρέφει στην αρχική της θέση όταν την αφήνετε.



3. Βεβαιωθείτε ότι η σκανδάλη γκαζιού κλειδώνει στη θέση του ρελαντί όταν απελευθερώνεται η ασφάλειά της.



4. Εκκινήστε το προϊόν και ανοίξτε τέρμα το γκάτσι.

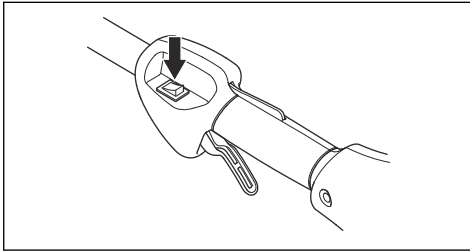
5. Απελευθερώστε τη σκανδάλη γκαζιού και βεβαιωθείτε ότι οι λεπίδες σταματούν και παραμένουν ακίνητες.



ΠΡΟΕΙΔΟΠΟΙΗΣΗ: Εάν οι λεπίδες κινούνται όταν η σκανδάλη γκαζιού βρίσκεται στη θέση ρελαντί, πρέπει να ρυθμιστούν οι στροφές ανά λεπτό ρελαντί του καρμπυρατέρ. Ανατρέξτε στην ενότητα *Για να ρυθμίσετε τις στροφές ανά λεπτό ρελαντί στη σελίδα 136.*

Για τον έλεγχο του διακόπτη τερματισμού λειτουργίας

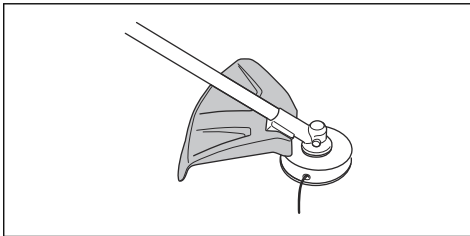
1. Εκκινήστε τον κινητήρα.
2. Μετακινήστε τον διακόπτη τερματισμού λειτουργίας στη θέση τερματισμού και βεβαιωθείτε ότι ο κινητήρας σταματά.



Για τον έλεγχο του προφυλακτήρα του εξαρτήματος κοπής

Ο προφυλακτήρας του παρελκόμενου κοπής σταματά τα αντικείμενα που εκκινάσσονται προς την κατεύθυνση του χειριστή. Επίσης αποτρέπει τους τραυματισμούς που θα προκύψουν εάν αγγίξετε το εξάρτημα κοπής.

1. Σβήστε τον κινητήρα.
2. Εκτελέστε οπτικό έλεγχο για ζημιές, για παράδειγμα ρωγμές.



3. Αντικαταστήστε τον προφυλακτήρα του παρελκόμενου κοπής, αν έχει υποστεί ζημιά.

Εξάτμιση (σιγαστήρας)

- Μην χρησιμοποιείτε κινητήρα με κατεστραμμένη εξάτμιση (σιγαστήρας). Η κατεστραμμένη εξάτμιση (σιγαστήρας) αυξάνει το επίπεδο θορύβου και

τον κίνδυνο φωτιάς. Πρέπει να υπάρχει σε μικρή απόσταση πυροσβεστήρας.

- Εξετάζετε τακτικά ότι η εξάτμιση (σιγαστήρας) είναι προσαρτημένη στο προϊόν.
- Μην αγγίζετε τον κινητήρα ή την εξάτμιση (σιγαστήρας) όταν ο κινητήρας είναι σε λειτουργία. Μην αγγίζετε τον κινητήρα ή την εξάτμιση (σιγαστήρας) για ένα διάστημα μετά το σβήσιμο του κινητήρα. Οι καυτές επιφάνειες μπορεί να προκαλέσουν τραυματισμούς.
- Η καυτή εξάτμιση (σιγαστήρας) μπορεί να προκαλέσει πυρκαγιά. Να είστε προσεκτικοί εάν χρησιμοποιείτε το προϊόν κοντά σε εύφλεκτα υγρά ή αέρια.
- Μην αγγίζετε τα εξαρτήματα στην εξάτμιση (σιγαστήρας), εάν η εξάτμιση έχει υποστεί ζημιά. Τα εξαρτήματα μπορεί να περιέχουν μερικές καρκινογόνες χημικές ουσίες.

Παρελκόμενο κοπής



ΠΡΟΕΙΔΟΠΟΙΗΣΗ: Προτού χρησιμοποιήσετε το προϊόν, διαβάστε τις παρακάτω προειδοποιητικές οδηγίες.

- Εκτελείτε τις τακτικές εργασίες συντήρησης. Ένα εγκεκριμένο κέντρο σέρβις πρέπει να εξετάζει τακτικά το παρελκόμενο κοπής για την εκτέλεση ρυθμίσεων ή επισκευών.
- Αυξάνεται η απόδοση του παρελκόμενου κοπής.
- Αυξάνεται η διάρκεια ζωής του παρελκόμενου κοπής.
- Μειώνεται ο κίνδυνος ατυχημάτων.
- Χρησιμοποιήστε μόνο εγκεκριμένο προστατευτικό παρελκόμενο κοπής. Ανατρέξτε στην ενότητα *Αξεσουάρ στη σελίδα 141.*
- Μην χρησιμοποιείτε παρελκόμενα κοπής που παρουσιάζουν ζημιά.

Ασφάλεια καυσίμου



ΠΡΟΕΙΔΟΠΟΙΗΣΗ: Προτού χρησιμοποιήσετε το προϊόν, διαβάστε τις παρακάτω προειδοποιητικές οδηγίες.

- Μην αναμειγνύετε το καύσιμο σε εσωτερικούς χώρους ή κοντά σε πηγή θερμότητας.
- Μην θέτετε το προϊόν σε λειτουργία, εάν υπάρχει καύσιμο ή λάδι κινητήρα στο προϊόν. Αφαιρέστε το ανεπιθύμητο καύσιμο/λάδι και αφήστε το προϊόν να στεγνώσει. Αφαιρέστε το ανεπιθύμητο καύσιμο από το προϊόν.
- Εάν χύσετε καύσιμο στα ρούχα σας, αλλάξτε τα αμέσως.
- Μην χύσετε καύσιμο στο σώμα σας, καθώς μπορεί να προκληθεί τραυματισμός. Εάν χύσετε καύσιμο στο σώμα σας, χρησιμοποιήστε σαπουνόνερο για να αφαιρέσετε το καύσιμο.

- Μην βάλετε μπροστά τον κινητήρα εάν χύσετε λάδι ή καύσιμο στο προϊόν ή στο σώμα σας.
- Μην θέσετε το προϊόν σε λειτουργία, εάν ο κινητήρας έχει διαρροή. Εξετάζετε τακτικά τον κινητήρα για διαρροές.
- Να είστε προσεκτικοί με το καύσιμο. Το καύσιμο είναι εύφλεκτο και οι αναθυμιάσεις είναι εκρηκτικές και μπορούν να προκαλέσουν τραυματισμό ή θάνατο.
- Μην εισπνεύσετε τις αναθυμιάσεις καυσίμου, καθώς μπορεί να προκληθεί τραυματισμός. Βεβαιωθείτε ότι υπάρχει επαρκής ροή αέρα.
- Μην καπνίζετε κοντά στο καύσιμο ή τον κινητήρα.
- Μην τοποθετείτε ζεστά αντικείμενα κοντά στο καύσιμο ή τον κινητήρα.
- Μην προσθέτετε καύσιμο όταν λειτουργεί ο κινητήρας.
- Βεβαιωθείτε ότι ο κινητήρας έχει κρυώσει πριν από τον ανεφοδιασμό.
- Πριν από τον ανεφοδιασμό, ανοίξτε αργά την τάπα του νεπετόζιτου καυσίμου και εκτονώστε προσεκτικά την πίεση.
- Βεβαιωθείτε ότι υπάρχει επαρκής ροή αέρα κατά τον ανεφοδιασμό και την ανάμιξη καυσίμου (βενζίνη και λάδι για δίχρονους κινητήρες) ή κατά την αποστράγγιση του νεπετόζιτου καυσίμου.
- Τα καύσιμα και οι αναθυμιάσεις καυσίμων είναι ιδιαίτερα εύφλεκτα και μπορούν να προκαλέσουν σοβαρό τραυματισμό σε περίπτωση εισπνοής ή επαφής με το δέρμα. Για αυτόν το λόγο, πρέπει να είστε προσεκτικοί κατά το χειρισμό καυσίμων και να βεβαιώνεστε ότι υπάρχει επαρκής ροή αέρα.
- Σφίξτε προσεκτικά την τάπα του νεπετόζιτου καυσίμου, διαφορετικά μπορεί να προκληθεί πυρκαγιά.
- Πριν από την εκκίνηση, μετακινήστε το προϊόν σε απόσταση τουλάχιστον 3 m (10 ft) από το σημείο όπου γεμίσατε το νεπετόζιτο.
- Μην προσθέτετε υπερβολική ποσότητα καυσίμου στο νεπετόζιτο καύσιμο.
- Βεβαιωθείτε ότι δεν μπορεί να προκληθεί διαρροή όταν μετακινείτε το προϊόν ή το δοχείο καυσίμου.
- Μην τοποθετείτε το προϊόν ή ένα δοχείο καυσίμου όπου υπάρχουν ακάλυπτες φλόγες, σπινθήρες ή φλόγιστρα. Βεβαιωθείτε ότι στην περιοχή αποθήκευσης δεν υπάρχουν ακάλυπτες φλόγες.
- Χρησιμοποιήστε μόνο εγκεκριμένα δοχεία όταν μετακινείτε το καύσιμο ή προσθέτετε το καύσιμο στην περιοχική αποθήκευσης.
- Αδειάζετε το νεπετόζιτο καυσίμου πριν από μακροχρόνια αποθήκευση. Τηρείτε την τοπική νομοθεσία σχετικά με την περιοχική απόρριψη καυσίμων.

- Καθαρίζετε το προϊόν πριν από μακροχρόνια αποθήκευση.
- Αφαιρέστε το καπάκι του μπουζι προτού αποθηκεύσετε το προϊόν για να βεβαιωθείτε ότι ο κινητήρας δεν θα εκκινήσει ακούσια.

Οδηγίες ασφαλείας για τη συντήρηση



ΠΡΟΕΙΔΟΠΟΙΗΣΗ: Προτού χρησιμοποιήσετε το προϊόν, διαβάστε τις παρακάτω προειδοποιητικές οδηγίες.

- Σβήστε τον κινητήρα, βεβαιωθείτε ότι το παρελκόμενο κοπή σταματά και αφήστε το προϊόν να κρυώσει προτού εκτελέσετε τις εργασίες συντήρησης.
- Αποσυνδέστε το καπάκι μπουζι προτού εκτελέσετε τις εργασίες συντήρησης.
- Οι αναθυμιάσεις της εξάτμισης από τον κινητήρα περιέχουν μονοξειδίο του άνθρακα, ένα άοσμο, δηλητηριώδες και ιδιαίτερα επικίνδυνο αέριο που μπορεί να οδηγήσει σε θάνατο. Μην χρησιμοποιείτε το προϊόν σε εσωτερικούς ή κλειστούς χώρους.
- Οι αναθυμιάσεις της εξάτμισης από τον κινητήρα είναι καυτές και μπορεί να περιέχουν σπινθήρες. Μην θέσετε το προϊόν σε λειτουργία σε εσωτερικό χώρο ή κοντά σε εύφλεκτα υλικά.
- Τα αξεσουάρ και οι τροποποιήσεις στο προϊόν που δεν είναι εγκεκριμένες από τον κατασκευαστή, μπορεί να προκαλέσουν σοβαρό τραυματισμό ή θάνατο. Να μην πραγματοποιείτε αλλαγές στο προϊόν. Πρέπει πάντα να χρησιμοποιείτε γνήσια αξεσουάρ.
- Αν οι εργασίες συντήρησης δεν εκτελούνται σωστά και τακτικά, υπάρχει αυξημένος κίνδυνος τραυματισμού και ζημιάς στο προϊόν.
- Εκτελείτε τις εργασίες συντήρησης μόνο όπως συνιστάται στο παρόν εγχειρίδιο χρήσης. Όλες οι υπόλοιπες εργασίες πρέπει να εκτελούνται από έναν εγκεκριμένο αντιπρόσωπο σέρβις της Husqvarna.
- Να αναθέτετε τη συντήρηση του προϊόντος σε έναν εγκεκριμένο αντιπρόσωπο σέρβις Husqvarna σε τακτά χρονικά διαστήματα.
- Να αντικαθιστάτε τυχόν κατεστραμμένα, φθαρμένα ή σπασμένα εξαρτήματα.
- Ανατρέξτε στις οδηγίες για το παρελκόμενο κοπή προκειμένου να ενημερωθείτε σχετικά με τη σωστή εγκατάσταση της μεσινέζας του χορτοκοπτικού και τη σωστή διάμετρο της μεσινέζας.
- Διατηρείτε τα δόντια της λεπίδας σωστά ακονισμένα. Τηρείτε τις συστάσεις του κατασκευαστή. Επίσης, ανατρέξτε στις οδηγίες επάνω στη συσκευασία της λεπίδας.

Συναρμολόγηση

Εισαγωγή



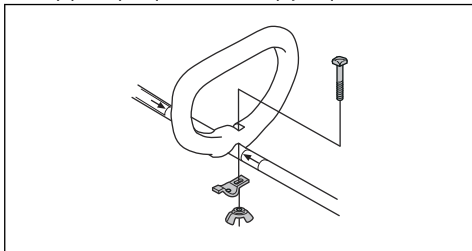
ΠΡΟΕΙΔΟΠΟΙΗΣΗ: Προτού συναρμολογήσετε το προϊόν, πρέπει να διαβάσετε και να κατανοήσετε το κεφάλαιο για την ασφάλεια.



ΠΡΟΕΙΔΟΠΟΙΗΣΗ: Αφαιρέστε το καλώδιο του μπουζί από το μπουζί πριν τη συναρμολόγηση του προϊόντος.

Προσάρτηση της χειρολαβής τύπου βρόχου

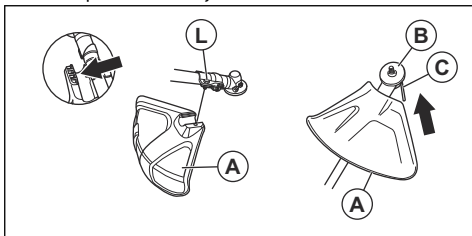
1. Στερεώστε τη χειρολαβή τύπου βρόχου στον άξονα σύμφωνα με την εικόνα και σφίξτε την.



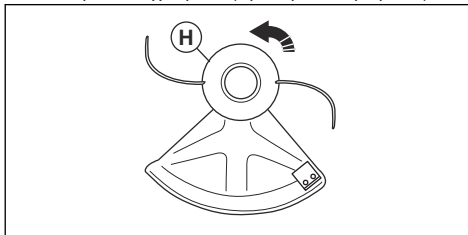
2. Βεβαιωθείτε ότι η χειρολαβή τύπου βρόχου προσαρτάται ανάμεσα στα βέλη στον άξονα.

Για να προσαρτήσετε το προστατευτικό παρελκομένου κοπής και την κεφαλή χορτοκοπτικού (ευθύγραμμος άξονας)

1. Στερεώστε τον προφυλακτήρα του παρελκομένου κοπής (A) στον άξονα με τη βίδα (L).
2. Προσαρτήστε το δίσκο μετάδοσης (B) στον άξονα εξαγωγής.
3. Γυρίστε τον άξονα εξαγωγής μέχρι η οπή του δίσκου μετάδοσης να ευθυγραμμιστεί με την οπή στο περίβλημα γραναζιών.
4. Τοποθετήστε ένα μικρό κατασβίδι (C) στην οπή για να ασφαλίσετε τον άξονα.

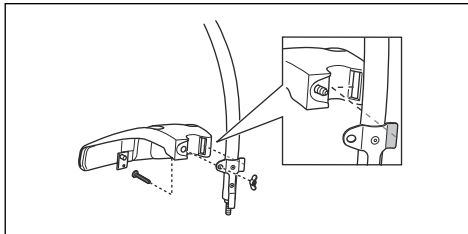


5. Γυρίστε την κεφαλή χορτοκοπτικού (H) προς τα αριστερά για να σφίξετε την κεφαλή χορτοκοπτικού στο κιβώτιο ταχυτήτων. (Αριστερά σπειρώματα.)

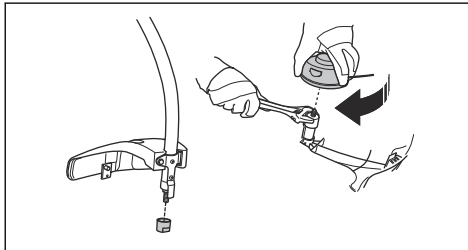


Για να προσαρτήσετε το προστατευτικό παρελκομένου κοπής και την κεφαλή χορτοκοπτικού (κυρτός άξονας)

1. Συνδέστε το προστατευτικό. Σφίξτε το παξιμάδι.



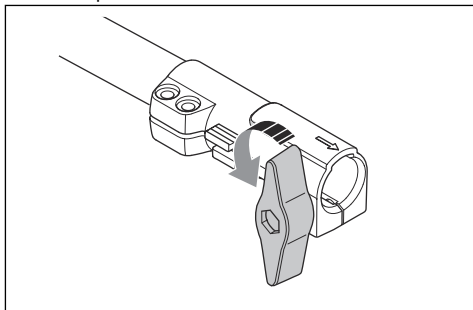
2. Συνδέστε το καπάκι σκόνης στον άξονα.



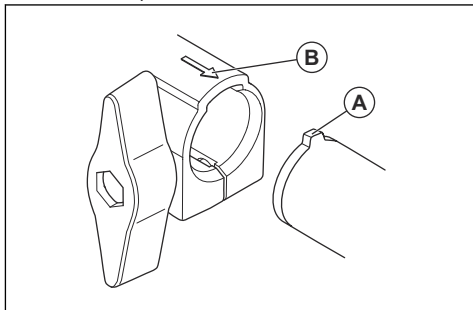
3. Κρατήστε το καπάκι σκόνης με ρυθμιζόμενο κλειδί, για να βεβαιωθείτε ότι ο άξονας δεν περιστρέφεται.
4. Προσαρτήστε την κεφαλή χορτοκοπτικού με τον άξονα. Γυρίστε την κεφαλή χορτοκοπτικού προς τα δεξιά.

Συναρμολόγηση του άξονα δύο τμημάτων

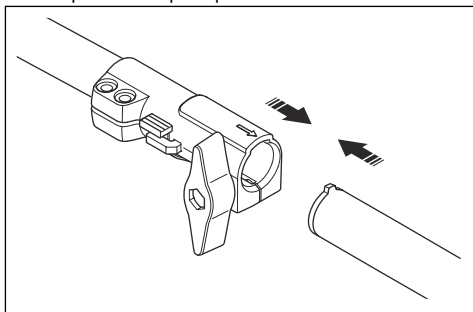
1. Περιστρέψτε τη χειρόβιδα για να χαλαρώσετε τον σύνδεσμο.



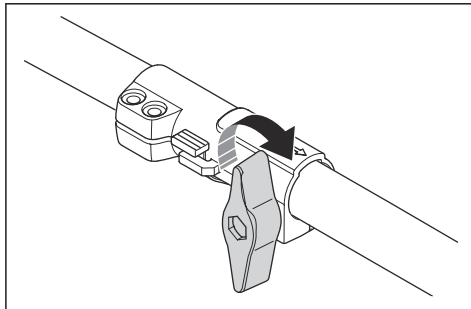
2. Ευθυγραμμίστε την προεξοχή (A) με το βέλος (B) στον σύνδεσμο.



3. Ωθήστε τον άξονα μέσα στον σύνδεσμο μέχρι να "κουμπώσει" στη θέση του.

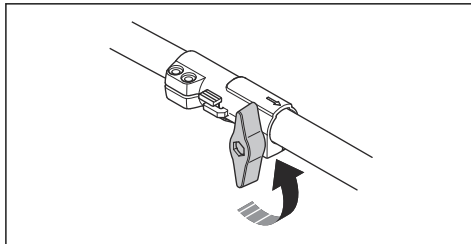


4. Σφίξτε καλά τη χειρόβιδα.

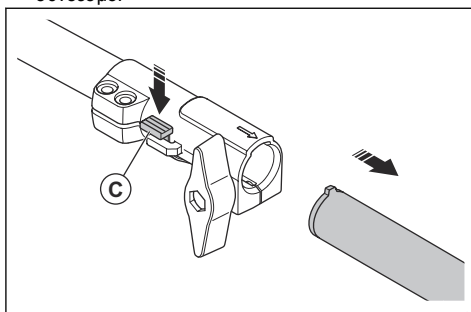


Αποσυναρμολόγηση του άξονα δύο τμημάτων

1. Περιστρέψτε τον τροχίσκο 3 ή περισσότερες φορές για να χαλαρώσετε τον σύνδεσμο.



2. Πατήστε παρατεταμένα το κουμπί (C).
3. Κρατήστε καλά το άκρο του άξονα όπου είναι προσαρτημένος ο κινητήρας.
4. Τραβήξτε το εξάρτημα κατευθειάν έξω από τον σύνδεσμο.



Λειτουργία

Εισαγωγή



ΠΡΟΕΙΔΟΠΟΙΗΣΗ: Προτού χρησιμοποιήσετε το προϊόν, πρέπει να διαβάσετε και να κατανοήσετε το κεφάλαιο για την ασφάλεια.

Καύσιμο

Αυτό το προϊόν διαθέτει δίχρονο κινητήρα.



ΠΡΟΣΟΧΗ: Τα καύσιμα εσφαλμένου τύπου μπορεί να προκαλέσουν ζημιά στον κινητήρα. Χρησιμοποιήστε μείγμα βενζίνης και λαδιού για δίχρονους κινητήρες.

10	0,20
15	0,30
20	0,40

Προαναμεμειγμένο καύσιμο

- Για βέλτιστη απόδοση και παράταση της διάρκειας ζωής του κινητήρα, χρησιμοποιήστε προαναμεμειγμένο αλκυλιωμένο καύσιμο της Husqvarna. Αυτό το καύσιμο περιέχει λιγότερα επιβλαβή χημικά σε σύγκριση με τα κανονικά καύσιμα, με αποτέλεσμα να μειώνονται οι επιβλαβείς αναθυμιάσεις της εξάτμισης. Η ποσότητα των καταλοίπων της καύσης είναι χαμηλότερη με αυτό το καύσιμο, το οποίο προστατεύει τα εξαρτήματα του κινητήρα και τα διατηρεί πιο καθαρά.

Ανάμειξη του καυσίμου

Βενζίνη

- Χρησιμοποιήστε αμόλυβδη βενζίνη καλής ποιότητας με μέγιστο ποσοστό αιθανόλης 10%.



ΠΡΟΣΟΧΗ: Μην χρησιμοποιείτε βενζίνη με αριθμό οκτανίων κάτω από 90 RON/87 AKI. Η χρήση βενζίνης χαμηλότερου αριθμού οκτανίων μπορεί να προκαλέσει κτύπο ("πειράκια") και ζημιά στον κινητήρα.

Λάδι για δίχρονους κινητήρες

- Για καλύτερα αποτελέσματα και υψηλότερη απόδοση, χρησιμοποιήστε λάδι Husqvarna για δίχρονους κινητήρες.
- Εάν το λάδι για δίχρονους κινητήρες της Husqvarna δεν είναι διαθέσιμο, χρησιμοποιήστε διαφορετικό λάδι καλής ποιότητας για αερόψυκτους κινητήρες. Για την επιλογή του σωστού λαδιού, απευθυνθείτε στον αντιπρόσωπο σέρβις.



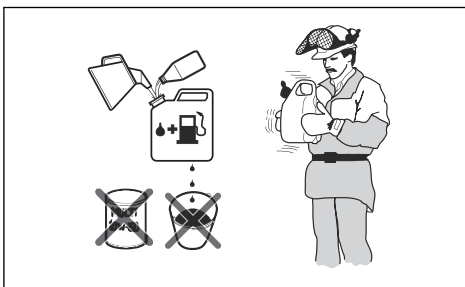
ΠΡΟΣΟΧΗ: Μην χρησιμοποιείτε λάδι για δίχρονους υδρόψυκτους εξωλέμβιους κινητήρες, το οποίο αναφέρεται επίσης ως λάδι για εξωλέμβιες. Μην χρησιμοποιείτε λάδι για τετράχρονους κινητήρες.

Για να αναμίξετε βενζίνη και λάδι για δίχρονους κινητήρες

Βενζίνη, λίτρα	Λάδι για δίχρονους κινητήρες, λίτρα
	2% (50:1)
5	0,10



ΠΡΟΣΟΧΗ: Μικρά λάθη μπορεί να επηρεάσουν δραστικά την αναλογία του μείγματος κατά τη ανάμειξη μικρών ποσοτήτων καυσίμου. Μετρήστε προσεκτικά την ποσότητα του λαδιού και βεβαιωθείτε ότι το μείγμα που προκύπτει είναι σωστό.



1. Ρίξτε σε ένα καθαρό δοχείο για καύσιμα τη μισή ποσότητα της βενζίνης.
2. Προσθέστε ολόκληρη την ποσότητα λαδιού.
3. Ανακινήστε το μίγμα καυσίμου.
4. Προσθέστε στο δοχείο την υπόλοιπη ποσότητα της βενζίνης.
5. Ανακινήστε προσεκτικά το μείγμα καυσίμου.



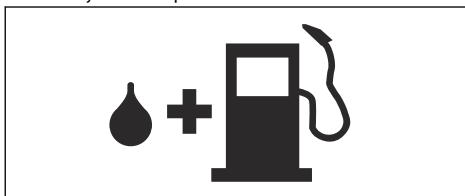
ΠΡΟΣΟΧΗ: Μην αναμιγνύετε καύσιμα για περισσότερο από 1 μήνα κάθε φορά.

Γέμισμα ντεπόζιτου καυσίμου



ΠΡΟΕΙΔΟΠΟΙΗΣΗ: Ακολουθήστε την παρακάτω διαδικασία για την ασφάλειά σας.

1. Σταματήστε τον κινητήρα και αφήστε τον να κρυώσει.
2. Καθαρίστε την περιοχή γύρω από την τάπα του ντεπόζιτου καυσίμου.



3. Ανακινήστε το δοχείο και βεβαιωθείτε ότι το καύσιμο έχει αναμιχθεί πλήρως.
4. Αφαιρέστε αργά την τάπα του ντεπόζιτου καυσίμου για να εκτονώσετε την πίεση.
5. Γεμίστε το ντεπόζιτο καυσίμου.



ΠΡΟΣΟΧΗ: Βεβαιωθείτε ότι δεν υπάρχει υπερβολικό καύσιμο στο ντεπόζιτο καυσίμου. Το καύσιμο διογκώνεται όταν ζεσταίνεται.

6. Σφίξτε προσεκτικά την τάπα του ντεπόζιτου καυσίμου.
7. Καθαρίζετε το καύσιμο που έχει χυθεί επάνω και γύρω από το προϊόν.
8. Πρωτού ξεκινήσετε, απομακρύνετε το προϊόν τουλάχιστον κατά 3 m/10 ft από το σημείο ανεφοδιασμού και την πηγή καυσίμου προτού θέσετε σε λειτουργία τον κινητήρα.

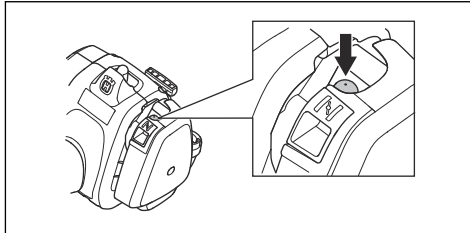
Περιεχόμενα Για να δείτε πού βρίσκεται το ντεπόζιτο καυσίμου στο προϊόν σας, ανατρέξτε στην ενότητα *Επισκόπηση προϊόντος στη σελίδα 123*.

Έλεγχος πριν από την εκκίνηση

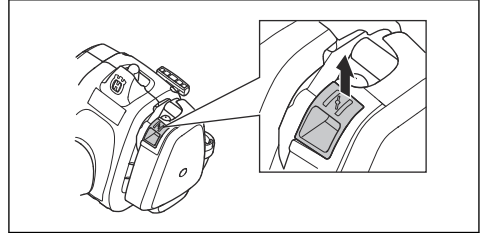
1. Βεβαιωθείτε ότι το προϊόν δεν έχει κάποιο εξάρτημα που λείπει, έχει υποστεί ζημιά, έχει βγει από τη θέση του ή εμφανίζει φθορά.
2. Βεβαιωθείτε ότι τα παξιμάδια και οι βίδες είναι σφιγμένα.
3. Βεβαιωθείτε ότι η κεφαλή του χορτοκοπτικού δεν έχει υποστεί ζημιά.
4. Βεβαιωθείτε ότι το φίλτρο αέρα δεν είναι φραγμένο.
5. Βεβαιωθείτε ότι οι συσκευές ασφαλείας στο προϊόν δεν είναι ελαττωματικές.
6. Βεβαιωθείτε ότι το προϊόν δεν έχει διαρροή καυσίμου.

Εκκίνηση με κρύο κινητήρα

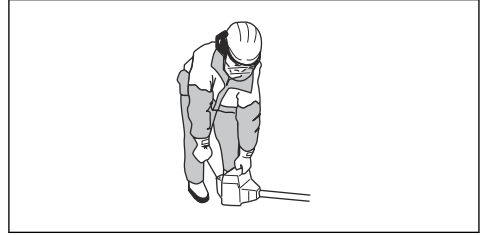
1. Πιέστε τη φούσκα της χειροκίνητης αντλίας καυσίμου (πουάρ) 10 φορές.



2. Θέστε το χειριστήριο τσοκ στη θέση του τσοκ.



3. Κρατήστε το σώμα του προϊόντος στο έδαφος με το αριστερό σας χέρι.



ΠΡΟΣΟΧΗ: Μην πατάτε επάνω στο προϊόν.

4. Τραβήξτε αργά με το δεξί χέρι σας τη λαβή του συστήματος εκκίνησης μέχρι να νιώσετε αντίσταση. Στη συνέχεια, τραβήξτε τη λαβή του σχοινού εκκίνησης γρήγορα και με δύναμη μέχρι να εκκινηθεί ή να αποπειραθεί να εκκινηθεί ο κινητήρας.



ΠΡΟΕΙΔΟΠΟΙΗΣΗ: Μην τυλίγετε ποτέ το σχοινί της τροχαλίας του συστήματος εκκίνησης γύρω από το χέρι σας.

5. Θέστε το χειριστήριο τσοκ στη θέση λειτουργίας.
6. Εάν ο κινητήρας ξεκινήσει, πιέστε ελαφρά τη σκανδάλη γκαζιού και αφήστε τον κινητήρα να λειτουργήσει για 60 δευτερόλεπτα για να ζεσταθεί. Εάν ο κινητήρας δεν ξεκινήσει, τραβήξτε τη λαβή του σχοινού εκκίνησης μέχρι να ξεκινήσει ο κινητήρας. Στη συνέχεια, πιέστε ελαφρά τη σκανδάλη γκαζιού και αφήστε τον κινητήρα να λειτουργήσει για 60 δευτερόλεπτα για να ζεσταθεί.



ΠΡΟΣΟΧΗ: Μην τραβήξετε το σχοινί εκκίνησης μέχρι τέρμα και μην αφήσετε τη λαβή του συστήματος εκκίνησης. Μπορεί να προκληθεί ζημιά στο προϊόν. Αφήστε αργά το κορδόνι της μίζας.

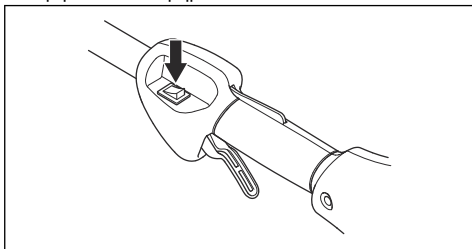
Για εκκίνηση με ζεστό κινητήρα

1. Πιέστε τη φούσκα της χειροκίνητης αντλίας καυσίμου (πουάρ) 10 φορές.

2. Τραβήξτε το κορδόνι της μίζας μέχρι να εκκινήσει ο κινητήρας.

Τερματισμός λειτουργίας του προϊόντος

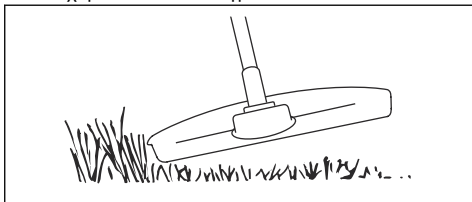
- Πιέστε τον διακόπτη τερματισμού λειτουργίας για να σβήσετε τον κινητήρα.



Περιεχόμενα Ο διακόπτης διακοπής λειτουργίας επιστρέφει αυτόματα στην αρχική του θέση.

Για ξάκρισμα του γρασιδιού

1. Κρατήστε την κεφαλή χορτοκοπτικού ακριβώς πάνω από το έδαφος, υπό γωνία. Μην πιέζετε τη μεσινέζα του χορτοκοπτικού στο γρασίδι.



2. Μειώστε το μήκος της μεσινέζας του χορτοκοπτικού κατά 10-12 cm/4-4,75 in.
3. Μειώστε τις στροφές του κινητήρα για να μειώσετε τον κίνδυνο πρόκλησης ζημιάς στα φυτά.
4. Όταν κόβετε γρασίδι κοντά σε αντικείμενα, πρέπει να ρυθμίζετε το γκάζι στο 80%.



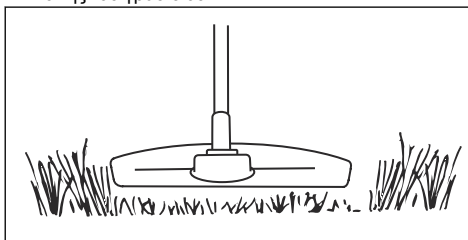
Για να καθαρίσετε το γρασίδι με λεπίδα χόρτου

1. Οι λεπίδες και τα κοπτικά εργαλεία χόρτου δεν πρέπει να χρησιμοποιούνται ποτέ σε ξυλώδη βλάστηση.

2. Η λεπίδα χόρτου χρησιμοποιείται για όλους τους τύπους ψηλού ή πυκνού χόρτου.
3. Το γρασίδι κόβεται με πλευρικές, παλινδρομικές κινήσεις. Η κίνηση από δεξιά προς τα αριστερά είναι η διαδρομή καθαρισμού και η κίνηση από τα αριστερά προς τα δεξιά είναι η διαδρομή επαναφοράς. Αφήστε την αριστερή πλευρά της λεπίδας (μεταξύ των θέσεων ρολογιού 8 και 12) να κόβει.
4. Εάν η λεπίδα έχει κλίση προς τα αριστερά κατά τον καθαρισμό του γρασιδιού, το γρασίδι θα συγκεντρώνεται σε μια γραμμή και αυτό διευκολύνει τη συλλογή του, π.χ. με τσουγκράνα.
5. Προσπαθήστε να εργάζεστε ρυθμικά. Σταθείτε σταθερά με ανοικτά τα πόδια. Μετακινηθείτε προς τα εμπρός μετά τη διαδρομή επαναφοράς και σταθείτε ξανά σταθερά.
6. Αφήστε το δοχείο στήριξης να ακουμπήσει ελαφρώς στο έδαφος. Αυτό γίνεται για να προστατευτεί η λεπίδα από χτύπημα στο έδαφος.
7. Για να μειώσετε τον κίνδυνο τυλιγματος υλικών γύρω από τη λεπίδα, πρέπει πάντα να εργάζεστε με τέρμα το γκάζι και να αποφεύγετε το ήδη κομμένο υλικό κατά τη διαδρομή επαναφοράς.
8. Σβήστε τον κινητήρα, αποσυνδέστε την εξάρτηση και τοποθετήστε το μηχάνημα στο έδαφος πριν αρχίσετε να συλλέγετε το κομμένο υλικό.

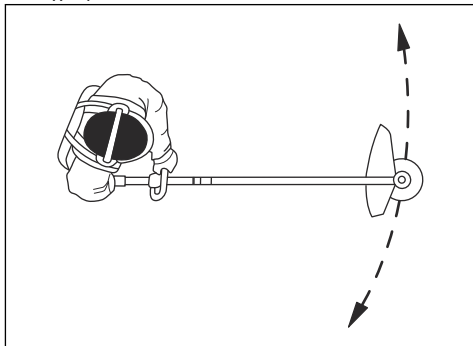
Κοπή γρασιδιού

1. Βεβαιωθείτε ότι η μεσινέζα χορτοκοπτικού είναι παράλληλη προς το έδαφος κατά τη διάρκεια της κοπής του γρασιδιού.



2. Μην πιέζετε την κεφαλή χορτοκοπτικού στο έδαφος. Μπορεί να προκληθεί ζημιά στο προϊόν.

3. Μετακινείτε το προϊόν από τη μία πλευρά στην άλλη όταν κόβετε γρασίδι. Χρησιμοποιήστε τη μέγιστη ταχύτητα.



Για τον καθαρισμό του χόρτου

Η ροή αέρα από την περιστρεφόμενη μεσινέζα χορτοκοπτικού μπορεί να χρησιμοποιηθεί για να αφαιρέσετε τα κομμένα χόρτα από μια περιοχή.

1. Κρατήστε την κεφαλή και τη μεσινέζα του χορτοκοπτικού παράλληλα και πάνω από το έδαφος.
2. Ανοίξτε τέρμα το γκάζι.
3. Μετακινήστε την κεφαλή του χορτοκοπτικού από τη μία πλευρά στην άλλη και καθαρίστε το χόρτο.



ΠΡΟΕΙΔΟΠΟΙΗΣΗ: Να καθαρίζετε το κάλυμμα της κεφαλής χορτοκοπτικού κάθε

φορά που συναρμολογείτε τη νέα μεσινέζα χορτοκοπτικού, ώστε να αποφύγετε τυχόν ανισοροπία και κραδασμούς στις λαβές. Επίσης, να ελέγχετε και τα άλλα τμήματα της κεφαλής χορτοκοπτικού και να την καθαρίζετε, εάν είναι απαραίτητο.

Κεφαλή χορτοκοπτικού

- Βεβαιωθείτε ότι τυλίγετε τη μεσινέζα χορτοκοπτικού σφιχτά και ομοιόμορφα γύρω από την καμπάνα, για να μειώσετε τους κραδασμούς.
- Χρησιμοποιήστε μόνο εγκεκριμένες κεφαλές χορτοκοπτικού και μεσινέζες χορτοκοπτικού. Ανατρέξτε στην ενότητα *Αξεσουάρ στη σελίδα 141*.
- Χρησιμοποιήστε το σωστό μήκος μεσινέζας χορτοκοπτικού. Η μεσινέζα χορτοκοπτικού για ψηλό γρασίδι χρησιμοποιεί περισσότερη ισχύ κινητήρα σε σύγκριση με μια μεσινέζα χορτοκοπτικού για κοντό γρασίδι.
- Βεβαιωθείτε ότι το κοπτικό εργαλείο στο προστατευτικό παρελκόμενου κοπής δεν έχει υποστεί ζημιά.
- Εμποτίστε τη μεσινέζα χορτοκοπτικού σε νερό για 2 ημέρες πριν την προσαρτήσετε στο προϊόν. Αυτό αυξάνει τη διάρκεια ζωής της μεσινέζας χορτοκοπτικού.
- Για τη σωστή διαδικασία φόρτωσης και τη σωστή διάμετρο του σχοινιού, ανατρέξτε στις οδηγίες για το παρελκόμενο κοπής.

Συντήρηση

Εισαγωγή



ΠΡΟΕΙΔΟΠΟΙΗΣΗ: Προτού εκτελέσετε εργασίες συντήρησης, πρέπει να διαβάσετε και να κατανοήσετε το κεφάλαιο για την ασφάλεια.

Για όλες τις εργασίες συντήρησης και επισκευής στο προϊόν, είναι απαραίτητη ειδική εκπαίδευση. Μπορούμε να εγγυηθούμε για τη διαθεσιμότητα των επαγγελματικών επισκευών και τη συντήρηση. Αν ο αντιπρόσωπός σας δεν είναι αντιπρόσωπος σέρβις, μιλήστε του για πληροφορίες σχετικά με τον πλησιέστερο αντιπρόσωπο σέρβις.

Πρόγραμμα συντήρησης

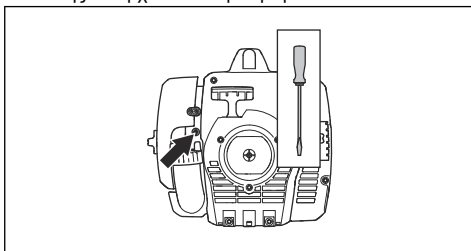
Συντήρηση	Καθημερινά	Κάθε εβδομάδα	Κάθε μήνα
Καθαρίστε την εξωτερική επιφάνεια.	X		
Καθαρίστε το φίλτρο αέρα. Αν χρειάζεται, αντικαταστήστε το.	X		
Ελέγξτε τη λειτουργία της ασφάλειας σκανδάλης γκαζιού και του γκαζιού.	X		
Ελέγξτε το διακόπτη τερματισμού.	X		
Ελέγξτε τα προστατευτικά.	X		

Συντήρηση	Καθημε- ρινά	Κάθε εβδομά- δα	Κάθε μή- να
Ελέγξτε την κεφαλή χορτοκοπτικού.	X		
Ελέγξτε το κόντρα παξιμάδι.	X		
Ελέγξτε για διαρροές καυσίμου.	X		
Βεβαιωθείτε ότι η λεπίδα χόρτου είναι ευθυγραμμισμένη με το κέντρο, ότι είναι αιχμηρή και ότι δεν έχει υποστεί ζημιά στη λεπίδα ή στην κεντρική οπή.	X		
Ελέγξτε ότι το εξάρτημα κοπής δεν περιστρέφεται όταν το μηχανήμα λειτουργεί σε στροφές ανά λεπτό ρελαντί.	X		
Επαλείψτε γράσο στον άξονα δύο τμημάτων.		X	
Εξετάστε τη λαβή του σχοινιού εκκίνησης και το σχοινί εκκίνησης.		X	
Ελέγξτε το γράσο στο κωνικό γρανάζι.		X	
Καθαρίστε την εξωτερική επιφάνεια του μπουζί. Αφαιρέστε το μπουζί και μετρή- στε το διάκενο ηλεκτροδίου. Ρυθμίστε το διάκενο ηλεκτροδίου ή αντικαταστήστε το μπουζί.		X	
Καθαρίστε το σύστημα ψύξης.		X	
Καθαρίστε ή αντικαταστήστε τη φλογοπαγίδα στην εξάτμιση (σιγαστήρα).		X	
Καθαρίστε την εξωτερική επιφάνεια του καρμπυρατέρ και το χώρο γύρω από αυτό.		X	
Ελέγξτε το φίλτρο καυσίμου για ρύπους.			X
Εξετάστε το σωλήνα καυσίμου για ζημιές.			X
Εξετάστε όλα τα καλώδια και τις συνδέσεις.			X
Ελέγξτε τον συμπλέκτη, τα ελατήρια συμπλέκτη και την καμπίνα συμπλέκτη για τυχόν φθορά.			X
Αντικαταστήστε το μπουζί.			X

Για να ρυθμίσετε τις στροφές ανά λεπτό ρελαντί

Βεβαιωθείτε ότι το φίλτρο αέρα είναι καθαρό και ότι το κάλυμμα φίλτρου αέρα είναι προσαρτημένο, πριν από τη ρύθμιση των στροφών ανά λεπτό ρελαντί.

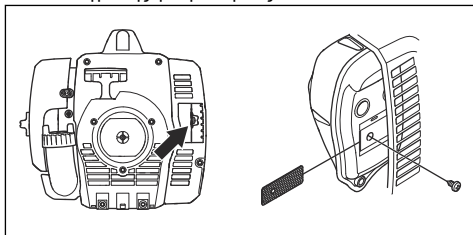
1. Γυρίστε προς τα δεξιά τη βίδα ρύθμισης ρελαντί T, η οποία φέρει την ένδειξη "T", μέχρι το παρελκόμενο κοπής να αρχίσει να περιστρέφεται.



2. Γυρίστε προς τα αριστερά τη βίδα ρύθμισης ρελαντί T, η οποία φέρει την ένδειξη "T", μέχρι το παρελκόμενο κοπής να σταματήσει.
3. Οι στροφές ανά λεπτό ρελαντί πρέπει να είναι χαμηλότερες από τις στροφές που παρατηρούνται τη στιγμή που το παρελκόμενο κοπής αρχίζει να περιστρέφεται. Οι στροφές ανά λεπτό ρελαντί είναι σωστές όταν ο κινητήρας λειτουργεί ομαλά σε όλες τις θέσεις.

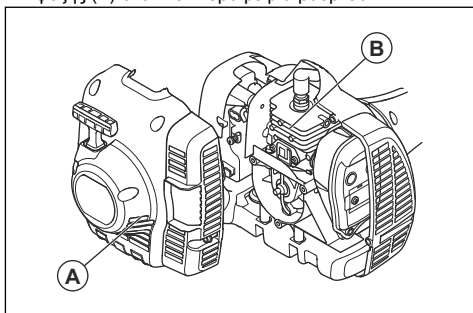
Για εκτέλεση εργασιών συντήρησης στο πλέγμα φλογοπαγίδας

- Χρησιμοποιήστε συρματόβουρτσα για να καθαρίσετε το πλέγμα της φλογοπαγίδας.



Για να καθαρίσετε το σύστημα ψύξης

- Καθαρίστε την εισαγωγή αέρα (A) στο σύστημα εκκίνησης και τα πτερύγια φερρωτής (ανεμιστήρα) ψύξης (B) στον κύλινδρο με μια βούρτσα.



Για να εξετάσετε το μπουζί

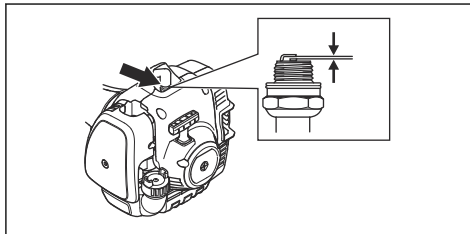


ΠΡΟΣΟΧΗ: Χρησιμοποιήστε το συνιστώμενο μπουζί. Βεβαιωθείτε ότι το ανταλλακτικό είναι το ίδιο με το εξάρτημα που παρέχεται από τον κατασκευαστή. Ένα ακατάλληλο μπουζί μπορεί να προκαλέσει ζημιά στο προϊόν. Βεβαιωθείτε ότι το μπουζί έχει τοποθετηθεί με αντιπαρασπικό. Απευθυνθείτε στον αντιπρόσωπο σέρβις για περισσότερες πληροφορίες.

- Εξετάστε το μπουζί όταν:
 - Ο κινητήρας έχει χαμηλή ισχύ.
 - Ο κινητήρας δεν εκκινείται εύκολα.
 - Ο κινητήρας δεν λειτουργεί σωστά στις στροφές ανά λεπτό ρελαντί.
- Εάν ο κινητήρας δεν εκκινείται εύκολα ή δεν λειτουργεί, εξετάστε το μπουζί για ανεπιθύμητα υλικά. Για να μειώσετε τον κίνδυνο ανεπιθύμητου υλικού στα ηλεκτρόδια του μπουζί:
 - Βεβαιωθείτε ότι οι στροφές ανά λεπτό ρελαντί έχουν ρυθμιστεί σωστά.
 - Βεβαιωθείτε ότι το μείγμα καυσίμου είναι σωστό.

c) Βεβαιωθείτε ότι το φίλτρο αέρα είναι καθαρό.

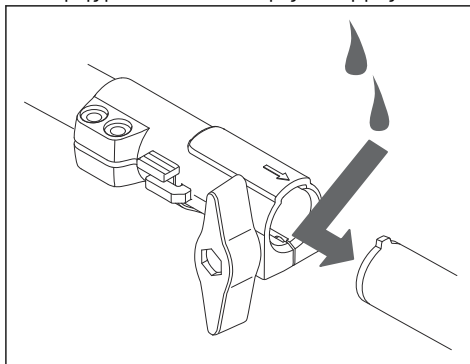
- Καθαρίστε το μπουζί, εάν είναι βρόμικο. Βεβαιωθείτε ότι το διάκενο ηλεκτροδίου είναι σωστό. Ανατρέξτε στην ενότητα *Τεχνικά στοιχεία στη σελίδα 139*.



- Αντικαταστήστε το μπουζί όταν είναι απαραίτητο.

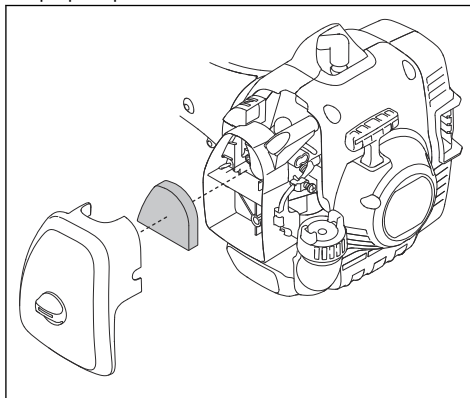
Για να επαλειφτε γράσο στον άξονα δύο τμημάτων

- Επαλείψτε γράσο στο άκρο του άξονα μετάδοσης κίνησης μετά από κάθε 30 ώρες λειτουργίας.



Για να καθαρίσετε το φίλτρο αέρα

- Αφαιρέστε το κάλυμμα του φίλτρου αέρα και το φίλτρο αέρα.



- Καθαρίστε το φίλτρο αέρα με ζεστό σαπουνόνερο. Βεβαιωθείτε ότι το φίλτρο αέρα είναι στεγνό πριν να το εγκαταστήσετε.
- Αντικαταστήστε το φίλτρο αέρα εάν είναι πολύ βρόμικο για να καθαριστεί πλήρως. Πρέπει πάντα να αντικαθιστάτε το φίλτρο αέρα, εάν έχει υποστεί ζημιά.
- Εάν το προϊόν σας διαθέτει αφρώδες φίλτρο αέρα, εφαρμόστε λάδι φίλτρου αέρα. Εφαρμόστε λάδι φίλτρου αέρα μόνο σε αφρώδες φίλτρο. Μην εφαρμόζετε λάδι σε φίλτρο κετσέ.

Για να εφαρμόσετε λάδι φίλτρου αέρα στο φίλτρο αέρα

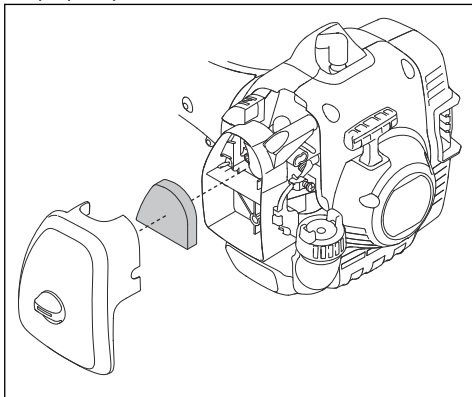


ΠΡΟΣΟΧΗ: Χρησιμοποιήστε πάντα ειδικό λάδι φίλτρου αέρα σε αφρώδη φίλτρα αέρα. Μην χρησιμοποιείτε άλλους τύπους λαδιού.

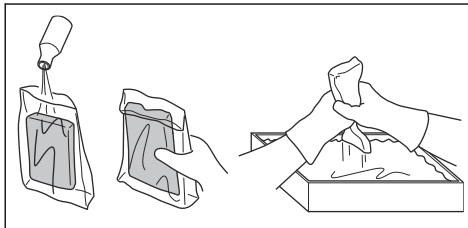


ΠΡΟΕΙΔΟΠΟΙΗΣΗ: Το λάδι δεν πρέπει να έρχεται σε επαφή με το σώμα σας.

- Αφαιρέστε το κάλυμμα του φίλτρου αέρα και το φίλτρο αέρα.



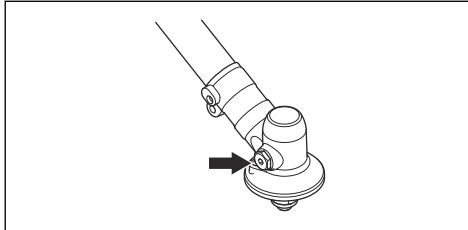
- Τοποθετήστε το φίλτρο αέρα σε μια πλαστική σακούλα.
- Ρίξτε το λάδι του φίλτρου αέρα στην πλαστική σακούλα.



- Πιέστε την πλαστική σακούλα για να βεβαιωθείτε ότι το λάδι παρέχεται ομοιόμορφα διαμέσου του φίλτρου αέρα.
- Πιέστε το φίλτρο αέρα, ενώ βρίσκεται στη σακούλα, για να αφαιρέσετε το περιττό λάδι φίλτρου αέρα. Αφαιρέστε το φίλτρο αέρα από τη σακούλα.
- Εγκαταστήστε το φίλτρο αέρα.

Προσθήκη γράσου στο κωνικό γρανάζι

- Βεβαιωθείτε ότι το κωνικό γρανάζι είναι γεμάτο κατά $\frac{3}{4}$ με γράσο κωνικού γραναζιού.



Αντιμετώπιση προβλημάτων

Ο κινητήρας δεν εκκινείται

Έλεγχος	Πιθανή αιτία	Διαδικασία
Άγκιστρα εμπλοκής του συστήματος εκκίνησης με το βολάν.	Τα άγκιστρα εμπλοκής του συστήματος εκκίνησης με το βολάν δεν μπορούν να κινηθούν ελεύθερα.	Αφαιρέστε το κάλυμμα της μίζας και καθαρίστε την περιοχή γύρω από τα άγκιστρα εμπλοκής του συστήματος εκκίνησης με το βολάν. Ζητήστε βοήθεια από έναν εγκεκριμένο αντιπρόσωπο σέρβις.

Έλεγχος	Πιθανή αιτία	Διαδικασία
Ντεπόζιτο καυσίμου.	Λανθασμένος τύπος καυσίμου.	Αδειάστε το ντεπόζιτο καυσίμου και γεμίστε με το σωστό καύσιμο.
Μπουζί.	Το μπουζί είναι λερωμένο ή υγρό.	Βεβαιωθείτε ότι το μπουζί είναι στεγνό και καθαρό.
	Το διάκενο των ηλεκτροδίων του μπουζί είναι λανθασμένο.	Καθαρίστε το μπουζί. Βεβαιωθείτε ότι το διάκενο ηλεκτροδίου είναι σωστό. Βεβαιωθείτε ότι το μπουζί έχει αντιπαρασπικό.
	Το μπουζί έχει χαλαρώσει.	Για το σωστό διάκενο ηλεκτροδίου, ανατρέξτε στην ενότητα <i>Τεχνικά στοιχεία στη σελίδα 139</i> . Σφίξτε το μπουζί.

Ο κινητήρας ξεκινάει αλλά σταματάει ξανά

Έλεγχος	Πιθανή αιτία	Διαδικασία
Ντεπόζιτο καυσίμου	Λανθασμένος τύπος καυσίμου.	Αδειάστε το ντεπόζιτο καυσίμου και γεμίστε με το σωστό καύσιμο.
Φίλτρο αέρα	Το φίλτρο αέρα είναι φραγμένο.	Καθαρίστε το φίλτρο αέρα.

Μεταφορά και αποθήκευση

- Αφήνετε πάντα το προϊόν να κρυώσει πριν το αποθηκεύσετε.
- Για την αποθήκευση και τη μεταφορά του προϊόντος και του καυσίμου, βεβαιωθείτε ότι δεν υπάρχουν διαρροές ή αναθυμιάσεις. Τυχόν σπινθήρες ή ακάλυπτες φλόγες, για παράδειγμα από ηλεκτρικές συσκευές ή λέβητες, μπορεί να προκαλέσουν πυρκαγιά.
- Να χρησιμοποιείτε πάντα εγκεκριμένα δοχεία για την αποθήκευση και τη μεταφορά των καυσίμων.
- Αδειάζετε το καύσιμο πριν από μεταφορά ή μακροχρόνια αποθήκευση. Απορρίψτε το καύσιμο σε κατάλληλη τοποθεσία απόρριψης.
- Προσαρτήστε το προστατευτικό μεταφοράς κατά τη μεταφορά και την αποθήκευση.
- Αφαιρέστε το καπάκι του μπουζί από το μπουζί.
- Να στερεώνετε το προϊόν κατά τη μεταφορά. Βεβαιωθείτε ότι δεν μπορεί να μετακινηθεί.
- Να καθαρίζετε και να κάνετε συντήρηση στο προϊόν πριν το αποθηκεύσετε για μεγάλο χρονικό διάστημα.

Τεχνικά στοιχεία

Τεχνικά στοιχεία

	122C	122LK
Κινητήρας		
Κυβισμός κυλίνδρου, cm ³	21,7	21,7

	122C	122LK
Στροφές ανά λεπτό στο ρελαντί, σ.α.λ.	2900	2900
Συνιστώμενες μέγ. στροφές, σ.α.λ	7200	9100
Στροφές άξονα εξόδου, σ.α.λ	7200	6232
Απόδοση ισχύος / Μέγ. ισχύς κινητήρα, κατά ISO 8893, kW/hr σε σ.α.λ.	0,6/0,8 στις 7800	0,6/0,8 στις 7800
Εξάτμιση (σιγαστήρας) καταλυτικού μετατροπέα	Ναι	Ναι
Σύστημα ανάφλεξης με ρύθμιση στροφών	Όχι	Όχι
Σύστημα ανάφλεξης		
Μπουζί	HQT-4 672201	HQT-4 672201
Διάκενο ηλεκτροδίου, mm	0,5	0,5
Σύστημα καυσίμου		
Χωρητικότητα νεπετόζιτου καυσίμου, l/cm ³	0,3/300	0,3/300
Βάρος		
Βάρος χωρίς καύσιμο, παρελκόμενο κοπής και προστατευτικό, kg	4,4	4,8
Εκπομπές θορύβου ¹⁹		
Στάθμη ηχητικής ισχύος, μετρημένη, dB(A)	102	104
Στάθμη ηχητικής ισχύος, εγγυημένη, (L _{WA}), dB(A)	104	108
Επίπεδα θορύβου ²⁰		
Ισοδύναμη στάθμη ηχητικής πίεσης στα αφτιά του χειριστή, μετρημένη κατά EN ISO 11806 και ISO 22868, dB(A):	88	90
Επίπεδα κραδασμών ²¹		
Ισοδύναμη στάθμη κραδασμών (a _{hν, eq}), με κεφαλή χορτοκοπτικού, αριστερή λαβή, m/s ²	5,0	3,6
Ισοδύναμη στάθμη κραδασμών (a _{hν, eq}), με κεφαλή χορτοκοπτικού, δεξιά λαβή, m/s ²	3,6	3,5

¹⁹ Οι εκπομπές θορύβου στο περιβάλλον, οι οποίες μετρούνται ως ηχητική ισχύς (L_{WA}), σε συμμόρφωση με την Οδηγία 2000/14/ΕΚ. Η καταγεγραμμένη στάθμη ηχητικής ισχύος για το προϊόν έχει μετρηθεί με το αυθεντικό παρελκόμενο κοπής, που δίνει την υψηλότερη στάθμη. Η διαφορά μεταξύ της εγγυημένης και της μετρούμενης ηχητικής ισχύος είναι ότι η εγγυημένη ηχητική ισχύς περιλαμβάνει επίσης τη διασπορά στο αποτέλεσμα της μέτρησης και τις αποκλίσεις μεταξύ των διαφορετικών προϊόντων του ίδιου μοντέλου σύμφωνα με την Οδηγία 2000/14/ΕΚ.

²⁰ Τα καταγεγραμμένα στοιχεία για την αντίστοιχη στάθμη ηχητικής πίεσης του προϊόντος έχουν μια τυπική στατιστική διασπορά (τυπική απόκλιση) ίση με 1 dB (A).

²¹ Τα καταγεγραμμένα στοιχεία για την ισοδύναμη στάθμη δονήσεων έχουν τυπική στατιστική διασπορά (τυπική απόκλιση) ίση με 1 m/s².

Αξεσουάρ

Αξεσουάρ

122C		
Εγκεκριμένα αξεσουάρ	Τύπος	Προστατευτικό εξαρτήματος κοπής
Σπειροτομημένος άξονας	3/8 R	–
Κεφαλή χορτοκοπτικού	T25 (καλώδιο Ø 2,0 - 2,4 mm)	574 47 95-01
	T25C (καλώδιο Ø 2,0 - 2,7 mm)	
	R25 (καλώδιο Ø 2,0 - 2,4 mm)	
122LK		
Εγκεκριμένα αξεσουάρ	Τύπος	Προστατευτικό εξαρτήματος κοπής
Σπειροτομημένος άξονας	M10	–
Κεφαλή χορτοκοπτικού	T25 (καλώδιο Ø 2,0 - 2,4 mm)	574 19 87-01
	R25 (καλώδιο Ø 2,0 - 2,4 mm)	

Για τα προδιαγραφόμενα μοντέλα συνιστώνται τα παρακάτω εξαρτήματα.

Εγκεκριμένα εξαρτήματα	Τύπος	Χρήση με
Παρελκόμενο σαρώθρου	SR600-2	122LK
Παρελκόμενο μπορντουροψάλιδου	HA200	122LK
Παρελκόμενο μπορντουροψάλιδου	HA860	122LK
Παρελκόμενο κόφτη άκρων	ECA850, ESA860	122LK
Εξάρτημα πριονιού	PA1100	122LK
Παρελκόμενο προέκτασης	EX780	122LK
Παρελκόμενο καλλιεργητή	CA230	122LK
Εξάρτημα φυσητήρα	BA101	122LK
Παρελκόμενο τρίχινης βούρτσας	BR600	122LK
Παρελκόμενο αραιωτήρα	DT600	122LK

Δήλωση Συμμόρφωσης

Δήλωση συμμόρφωσης ΕΕ

Εμείς, η Husqvarna AB, SE-561 82 Huskvarna, Σουηδία,
τηλ.: +46-36-146500, δηλώνουμε με αποκλειστική μας
ευθύνη ότι το προϊόν:

Περιγραφή	Βενζινοκίνητο χορτοκοπτικό / θαμνοκοπτικό
Μάρκα	Husqvarna
Τύπος / Μοντέλο	122C, 122LK
Αναγνώριση	Αριθμός σειράς με ημερομηνία 2022 και μεταγενέστερη

συμμορφώνεται πλήρως με τις ακόλουθες οδηγίες και
τους κανονισμούς της ΕΕ:

Κανονισμός	Περιγραφή
2006/42/EK	"σχετικά με τα μηχανήματα"
2014/30/EE	"σχετικά με την ηλεκτρομαγνητική συμβατότητα"
2000/14/EK	"σχετικά με τον θόρυβο σε εξωτερικούς χώρους"
2011/65/EE	"περιορισμό της χρήσης ορισμένων επικίνδυνων ουσιών"

Εφαρμόστηκαν τα ακόλουθα πρότυπα:

EN ISO 12100:2010, EN ISO 11806-1:2011, ISO
14982:1998, CISPR 12:2007+A1:2009, EN IEC
63000:2018

Η RISE SMP Svensk Maskinprovning AB,, Box
7035, SE-750 07 Uppsala, Sweden, έχει διενεργήσει
εθελοντικά εξέταση τύπου για λογαριασμό της
Husqvarna AB.

Τα πιστοποιητικά φέρουν την εξής αρίθμηση: 122C -
SEC/10/2271, 122LK - SEC/10/2272

Η RISE SMP Svensk Maskinprovning AB, έχει επίσης
επαληθεύσει τη συμβατότητα με το παράρτημα V της
οδηγίας 2000/14/EK του Συμβουλίου.

Τα πιστοποιητικά φέρουν την εξής αρίθμηση: 122C -
01/164/068, 122LK - 01/164/067.

Huskvarna 2022-05-13



Claes Losdal, Διευθυντής Έρευνας και Ανάπτυξης
Husqvarna AB

Υπεύθυνος για την τεχνική τεκμηρίωση



Contenido

Introducción.....	143	Resolución de problemas.....	158
Seguridad.....	145	Transporte y almacenamiento.....	159
Montaje.....	150	Datos técnicos.....	159
Funcionamiento.....	151	Accesorios.....	160
Mantenimiento.....	155	Declaración de conformidad.....	162

Introducción

Descripción del producto

El producto es una recortadora de césped con motor de combustión.

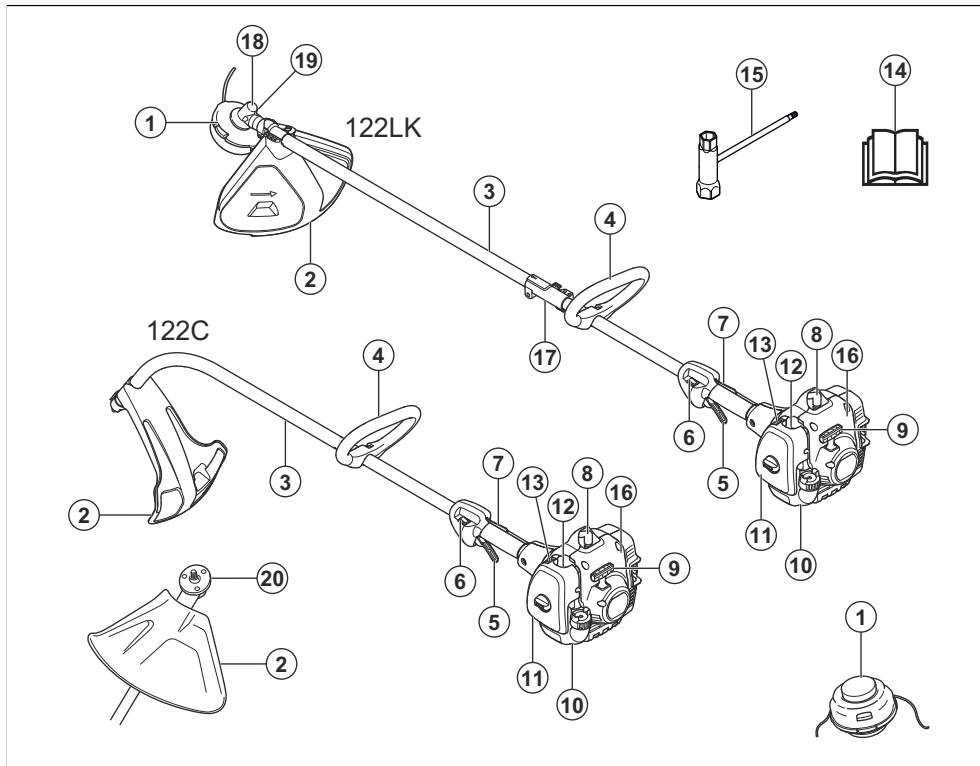
Trabajamos constantemente para mejorar la seguridad y la eficiencia durante el uso del producto. Póngase en contacto con su distribuidor para obtener más información.

Uso previsto

El producto se utiliza con un cabezal de corte para cortar hierba. No utilice el producto para otras tareas diferentes a cortar o desbrozar hierba.

Nota: El uso de este producto podría estar regulado por la legislación nacional.

Descripción del producto



1. Cabezal de corte

2. Protección del equipo de corte

3. Tubo

4. Mango cerrado

5. Acelerador
6. Botón de parada
7. Bloqueo del acelerador
8. Capuchón de encendido y bujía
9. Empuñadura de la cuerda de arranque
10. Depósito de combustible
11. Tapa del filtro de aire
12. Perilla de la bomba de combustible
13. Control del estrangulador
14. Manual de usuario
15. Llave combinada
16. Cuerpo del mecanismo de arranque
17. Acoplamiento del tubo
18. Engranaje angulado
19. Recarga de lubricante, engranaje angulado
20. Pieza de arrastre

Símbolos que aparecen en el producto



ADVERTENCIA: Este producto es peligroso. Si el producto no se usa con cuidado y de la forma correcta, el usuario o las personas que se encuentren cerca pueden sufrir lesiones personales o incluso la muerte. Para evitar lesiones graves al usuario o a cualquier persona que se encuentre en las inmediaciones, lea y cumpla todas las instrucciones de seguridad descritas en el manual de usuario.



Lea detenidamente el manual de usuario y asegúrese de que entiende las instrucciones antes de usar la máquina.



Utilice un casco protector si trabaja en un lugar donde puedan caerle objetos. Utilice protectores auriculares homologados. Utilice protección ocular homologada.



Velocidad máxima del eje de salida.



El producto cumple con las directivas CE vigentes.



El producto puede provocar que salgan objetos despedidos, lo que puede causar lesiones.



Mantenga siempre a las personas y animales a una distancia mínima de 15 m durante el funcionamiento del producto.



Utilice guantes protectores homologados.



Utilice botas de trabajo antideslizantes.



Utilice solo hilo de corte flexible. No utilice accesorios de corte metálicos.



Etiqueta de emisión sonora al medio ambiente conforme con las directivas y normativas europeas y del Reino Unido, y con la regulación de 2017 sobre protección del medio ambiente (control de ruidos) (Protection of the Environment Operations - Noise Control) de la legislación de Nueva Gales del Sur. El nivel de potencia acústica garantizado del producto se especifica en el apartado *Datos técnicos en la página 159* y en la etiqueta.



Perilla de la bomba de combustible.



Estrangulador.



Este producto cumple con las directivas del Reino Unido vigentes.

aaaassxxxx

En la placa de características técnicas se indica el número de serie. **aaaa** es el año de producción **yss** es la semana de producción.

Nota: Los demás símbolos y etiquetas que aparecen en el producto corresponden a requisitos de homologación específicos en otras zonas comerciales.

Emisiones Euro V



ADVERTENCIA: La manipulación del motor anula la homologación de la UE de este producto.

Servicio de atención al cliente

Para contactar con el servicio de atención al cliente, llame al: 1-800-487-5951 o visite www.husqvarna.com.

Responsabilidad sobre el producto

Como se estipula en las leyes de responsabilidad del producto, no nos hacemos responsables de los daños y perjuicios causados por nuestro producto si:

- El producto se ha reparado incorrectamente.
- El producto se ha reparado con piezas que no eran del fabricante o no autorizadas por el fabricante.
- El producto tiene un accesorio que no es del fabricante o no está autorizado por este.
- El producto no se ha reparado en un centro de servicio autorizado o por un organismo homologado.

Seguridad

Definiciones de seguridad

Las advertencias, precauciones y notas se utilizan para destacar información especialmente importante del manual.



ADVERTENCIA: Indica un riesgo de lesiones o incluso de muerte del usuario o de las personas cercanas si no se respetan las instrucciones del manual.



PRECAUCIÓN: Indica un riesgo de daños en el producto, otros materiales o el área adyacente si no se respetan las instrucciones del manual.

Nota: Se usa para proporcionar más información necesaria en una situación determinada.

Instrucciones generales de seguridad



ADVERTENCIA: Lea las siguientes instrucciones de advertencia antes de utilizar el producto.

- Use el producto correctamente. Las lesiones o la muerte son un posible resultado de un uso incorrecto. Utilice el producto solo para las tareas indicadas en este manual. No utilice el producto para otras tareas.
- Respete las instrucciones de este manual. Respete los símbolos de seguridad y las instrucciones de seguridad. Si el operador no respeta las instrucciones y los símbolos, pueden producirse lesiones, daños materiales o la muerte.
- No se deshaga de este manual. Utilice las instrucciones para montar su producto, utilizarlo y mantenerlo en buen estado. Utilice las instrucciones

para la correcta instalación de los complementos y accesorios. Utilice únicamente complementos y accesorios autorizados.

- No utilice un producto dañado. Respete el programa de mantenimiento. Realice solamente el trabajo de mantenimiento indicado en las instrucciones de este manual. Todos los demás trabajos de mantenimiento debe hacerlos un centro de servicio autorizado.
- Este manual no puede incluir todas las situaciones que pueden producirse cuando utilice el producto. Proceda con cuidado y utilice el sentido común. No utilice el producto ni realice el mantenimiento del producto si no está seguro de cuál es la situación. Hable con un experto en el producto, su distribuidor, un taller de servicio o centro de servicio autorizado para obtener información.
- Desconecte el cable de la bujía antes de montar el producto, almacenarlo o realizar tareas de mantenimiento.
- No utilice el producto si se ha modificado respecto de sus especificaciones iniciales. No cambie una parte del producto sin la autorización del fabricante. Utilice únicamente piezas recomendadas por el fabricante. Las lesiones o la muerte son un posible resultado de un mantenimiento incorrecto.
- No inhale los vapores del motor. La inhalación los gases de escape del motor durante un tiempo prolongado supone un riesgo para la salud.
- Nunca arranque el producto en interiores ni cerca de material inflamable. Los gases de escape están calientes y pueden contener una chispa que puede iniciar un incendio. Una circulación de aire insuficiente puede causar lesiones o la muerte por asfixia o inhalación de monóxido de carbono.
- Al utilizar este producto, el motor emite un campo electromagnético. El campo electromagnético puede provocar daños en implantes médicos. Consulte a su médico y al fabricante del implante médico antes de usar el producto.

- No deje que un niño maneje el producto. No permita que nadie maneje el producto sin conocer las instrucciones.
- Si una persona con discapacidad física o mental usa el producto, asegúrese de supervisarla en todo momento. Debe haber presente en todo momento una persona mayor de edad responsable.
- Cierre con llave el producto en un área a la que no puedan acceder las personas no autorizadas ni los niños.
- El producto puede proyectar objetos con fuerza y causar lesiones. Respete las instrucciones de seguridad para reducir el riesgo de lesiones o muerte.
- No deje desatendido el producto con el motor encendido.
- El operador del producto es el responsable si se produce un accidente.
- Asegúrese de que las piezas no estén dañadas antes de utilizar el producto.
- Asegúrese de que se encuentra a una distancia mínima de 15 m (50 pies) de otras personas o animales antes de utilizar el producto. Asegúrese de que las personas que pueda haber en el área circundante sepan que va a usar el producto.
- Consulte las leyes nacionales o locales. Pueden prohibir o limitar el funcionamiento del producto en circunstancias determinadas.
- No utilice el producto si está cansado o se encuentra bajo los efectos de alcohol, drogas o medicamentos, que pueden tener efectos sobre su visión, capacidad de reacción, coordinación o criterio.

Instrucciones de seguridad para el montaje



ADVERTENCIA: Lea las siguientes instrucciones de advertencia antes de utilizar el producto.

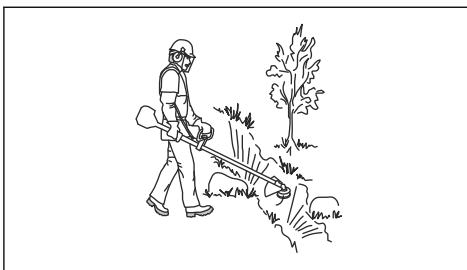
- Retire el sombrerete de la bujía antes de montar el producto.
- Utilice guantes protectores homologados.
- Asegúrese de montar la cubierta y el tubo correctamente antes de poner en marcha el motor.

Instrucciones de seguridad para el funcionamiento

- Asegúrese de que el producto esté completamente montado antes de utilizarlo.
- Antes de arrancar, aleje el producto 3 m (10 pies) del punto en el que llenó el depósito de combustible. Ponga el producto sobre una superficie plana. Asegúrese de que el equipo de corte no entre en contacto con el suelo u otros objetos.
- El producto puede causar proyección de objetos, lo que puede provocar daños en los ojos. Utilice

siempre una protección ocular homologada cuando utilice el producto.

- Tenga cuidado: mientras está trabajando, un niño puede acercarse al producto sin que usted se dé cuenta.
- No utilice el producto si hay otra persona en la zona de trabajo. Detenga el producto si alguien entra en la zona de trabajo.
- Asegúrese de tener siempre el control del producto.
- No utilice el producto si no puede recibir ayuda en caso de accidente. Antes de comenzar a utilizar el producto, asegúrese siempre de que otros saben que va a empezar a usarlo.
- No se gire con el producto sin asegurarse primero de que no hay personas ni animales en la zona de seguridad.
- Retire todos los materiales no deseados de la zona de trabajo antes de empezar. Si el equipo de corte choca contra un objeto, el objeto puede salir despedido y provocar daños o lesiones. El material no deseado puede enrollarse en el equipo de corte y provocar daños.
- No utilice el producto en condiciones climáticas desfavorables (niebla, lluvia, viento fuerte, riesgo de rayos u otras condiciones climáticas peligrosas). Las condiciones climáticas desfavorables pueden provocar condiciones peligrosas (como superficies resbaladizas).
- Asegúrese de que puede moverse libremente y trabajar en una postura estable.



- Asegúrese de que no corre riesgo de caerse mientras utiliza el producto. No se incline mientras utiliza el producto.
- Sujete siempre el producto con ambas manos. Mantenga el producto en el lado derecho del cuerpo.



- Utilice el producto con el equipo de corte por debajo de la cadera.
- Si el mando del estrangulador está en la posición de estrangulamiento cuando arranque el motor, el equipo de corte comienza a girar.
- No toque el engranaje angulado después de parar el motor. El engranaje angulado está caliente después de parar el motor. Las zonas calientes pueden causar lesiones.
- Pare el motor antes de mover el producto.
- No deje el producto en el suelo con el motor encendido.
- Antes de retirar los materiales no deseados del producto, detenga el motor y espere hasta que el equipo de corte se detenga. Deje que el equipo de corte se detenga antes de que usted o un ayudante retire el material cortado.

Personal protective equipment



ADVERTENCIA: Lea las siguientes instrucciones de advertencia antes de utilizar el producto.

- Para trabajar con el producto, debe utilizar siempre un equipo de protección personal homologado. El equipo de protección personal no elimina completamente el riesgo de lesiones, pero reduce la gravedad de las lesiones en caso de accidente. Deje que el distribuidor le ayude a seleccionar el equipo adecuado.
- Use un casco protector cuando exista el riesgo de que caigan objetos.
- Use protectores auriculares homologados con suficiente capacidad de reducción sonora. La exposición prolongada al ruido puede causar daños crónicos en el oído.
- Utilice protección ocular homologada. Si se utiliza visor, deben utilizarse también gafas protectoras homologadas. Por gafas protectoras homologadas se entienden las que cumplen con la norma ANSI Z87.1 para EE. UU. o EN 166 para países de la UE.
- Utilice una pantalla de protección facial para proteger la cara. La pantalla no es suficiente para la protección ocular.



- Utilice guantes cuando sea necesario, por ejemplo, para el montaje, inspección o limpieza del equipo de corte.
- Utilice botas antideslizantes y seguras.
- Use indumentaria de material resistente. Use siempre pantalones largos y gruesos, y mangas largas. No lleve ropa suelta que pueda quedar atrapada en los arbustos y ramas. No trabaje

con joyas, pantalones cortos, sandalias ni los pies descalzos. Recójase el pelo por encima de los hombros.



- Mantenga el equipo de primeros auxilios cerca.



Dispositivos de seguridad en el producto

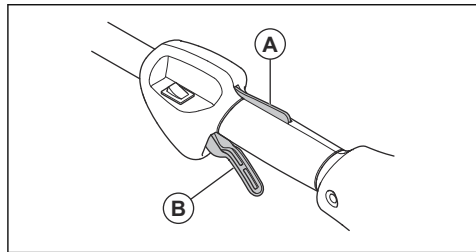


ADVERTENCIA: Lea las siguientes instrucciones de advertencia antes de utilizar el producto.

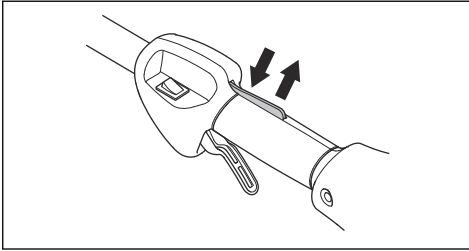
- No utilice un producto que tenga dispositivos de seguridad defectuosos.
- Realice una comprobación de los dispositivos de seguridad con frecuencia. Consulte la sección *Programa de mantenimiento en la página 155*.
- Si los dispositivos de seguridad están defectuosos, hable con su taller de servicio Husqvarna.

Comprobación del bloqueo del acelerador

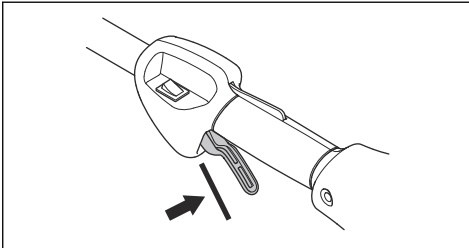
1. Compruebe que el bloqueo del acelerador (A) y el acelerador (B) se muevan con facilidad y que el muelle de retorno funcione correctamente.



- Presione el bloqueo del acelerador y asegúrese de que vuelve a su posición inicial al soltarlo.



- Asegúrese de que el acelerador está bloqueado en la posición de ralentí cuando el bloqueo se suelta.



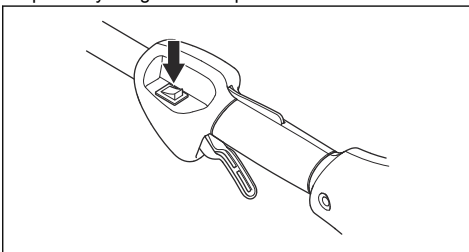
- Ponga en marcha el producto y acelere al máximo.
- Suelte el acelerador y asegúrese de que las cuchillas se detienen y mantienen paradas.



ADVERTENCIA: Si las cuchillas se mueven con el acelerador en posición de ralentí, se debe regular el ralentí del carburador. Consulte la sección *Para ajustar el régimen de ralentí en la página 156*.

Comprobación del interruptor de parada

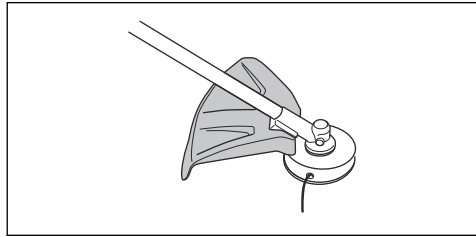
- Arranque el motor.
- Mueva el interruptor de parada a la posición de parada y asegúrese de que el motor se detiene.



Comprobación de la protección del equipo de corte

La protección del equipo de corte evita que los objetos salgan despedidos hacia el usuario. También evita daños al impedir el contacto con el equipo de corte.

- Pare el motor.
- Compruebe visualmente si hay daños como, por ejemplo, grietas.



- Si la protección del equipo de corte está dañada, cámbiela.

Silenciador

- No utilice un motor con un silenciador defectuoso. Un silenciador defectuoso aumenta el nivel de ruido y el riesgo de incendio. Tenga siempre a mano un extintor de incendios.
- Examine regularmente que el silenciador esté conectado al producto.
- No toque el motor ni el silenciador cuando el motor está encendido. No toque el motor ni el silenciador durante un tiempo después de parar el motor. Las superficies calientes pueden causar lesiones.
- Un silenciador caliente puede provocar un incendio. Tenga cuidado si utiliza el producto cerca de líquidos o vapores inflamables.
- No toque las piezas del silenciador si este está dañado. Las piezas pueden contener productos químicos cancerígenos.

Accesorio de corte



ADVERTENCIA: Lea las siguientes instrucciones de advertencia antes de utilizar el producto.

- Realice el mantenimiento periódico. Deje que un centro homologado examine regularmente el equipo de corte para hacer ajustes o reparaciones.
 - El rendimiento del equipo de corte aumenta.
 - La vida útil del equipo de corte aumenta.
 - El riesgo de accidentes disminuye.
- Utilice solo una protección homologada para el equipo de corte. Consulte la sección *Accesorios en la página 160*.
- No utilice un equipo de corte dañado.

Seguridad en el uso del combustible



ADVERTENCIA: Lea las siguientes instrucciones de advertencia antes de utilizar el producto.

- No mezcle el combustible en un recinto cerrado o cerca de una fuente de calor.
- No arranque el producto si está manchado con combustible o aceite del motor. Retire el combustible/aceite no deseado y deje secar el producto. Retire el combustible no deseado del producto.
- Si derrama combustible sobre la ropa, cámbiese inmediatamente.
- Evite el contacto con el combustible; puede provocarle lesiones. Si entra en contacto con el combustible, utilice jabón y agua para eliminar el combustible.
- No arranque el motor si derrama aceite o combustible sobre el producto o sobre su cuerpo.
- No arranque el motor si el producto tiene una fuga. Examine frecuentemente si hay fugas en el motor.
- Tenga cuidado con el combustible. El combustible es inflamable, sus vapores son explosivos y puede provocar lesiones o la muerte.
- No inhale los vapores de combustible, ya que pueden causar lesiones. Asegúrese de que hay suficiente ventilación.
- No fume cerca del combustible o el motor.
- No coloque objetos calientes cerca del combustible o el motor.
- No agregue el combustible con el motor encendido.
- Asegúrese de que el motor esté frío antes repostar.
- Antes de repostar, abra la tapa del depósito de combustible lentamente y deje salir el exceso de presión con cuidado.
- Asegúrese de que haya suficiente ventilación al repostar y mezclar combustible (gasolina y aceite para motores de dos tiempos) o al vaciar el depósito de combustible.
- El combustible y los vapores de combustible son altamente inflamables y pueden causar daños graves por inhalación y contacto con la piel. Por consiguiente, proceda con cuidado al manipular combustible y asegúrese de que haya suficiente ventilación.
- Apriete la tapa del depósito de combustible con cuidado o puede producirse un incendio.
- Antes de arrancarlo, lleve el producto a 3 m (10 pies) de distancia como mínimo del punto en el que llenó el depósito.
- No ponga demasiado combustible en el depósito de combustible.
- Asegúrese de que no pueda producirse una fuga al mover el producto o recipiente de combustible.
- No coloque el producto o un recipiente de combustible cerca de una llama descubierta, chispa o llama piloto. Asegúrese de que la zona de almacenamiento no contiene una llama descubierta.
- Utilice únicamente recipientes homologados para transportar o almacenar el combustible.

- Vacíe el depósito de combustible antes de almacenarlo por un tiempo prolongado. Respete la legislación local sobre lugares aptos para desechar combustible.
- Limpie el producto antes de almacenarlo por un tiempo prolongado.
- Retire el sombrerete de bujía antes de almacenar el producto para asegurarse de que el motor no arranque accidentalmente.

Instrucciones de seguridad para el mantenimiento



ADVERTENCIA: Lea las siguientes instrucciones de advertencia antes de utilizar el producto.

- Antes de realizar el mantenimiento, detenga el motor, asegúrese de que se detiene el equipo de corte y deje que el producto se enfríe.
- Desconecte el sombrerete de bujía antes de realizar el mantenimiento.
- Los gases de escape del motor contienen monóxido de carbono, que es un gas inodoro, tóxico y muy peligroso que puede provocar la muerte. No use el producto en interiores ni en espacios cerrados.
- Los gases de escape del motor están calientes y pueden contener chispas. No haga funcionar el producto en un recinto cerrado ni cerca de material inflamable.
- Los accesorios y modificaciones en el producto que no estén aprobados por el fabricante pueden causar daños graves o la muerte. No modifique el producto. Utilice siempre accesorios originales.
- Si el mantenimiento no se realiza correctamente y de forma regular, aumenta el riesgo de lesiones y daños en el producto.
- Realice únicamente las tareas de mantenimiento que se recomiendan en este manual de usuario. Lleve el producto a un taller de servicio Husqvarna autorizado para que realicen el resto de tareas de mantenimiento.
- Lleve el producto a un taller de servicio Husqvarna autorizado para realizar el mantenimiento de forma regular.
- Cambie las piezas dañadas, desgastadas o rotas.
- Consulte las instrucciones del equipo de corte para montar correctamente el hilo y elegir el diámetro de hilo correcto.
- Mantenga los dientes de corte de la hoja afilados y en buen estado. Siga nuestras recomendaciones. Lea también las instrucciones en el envase de la cuchilla.

Montaje

Introducción



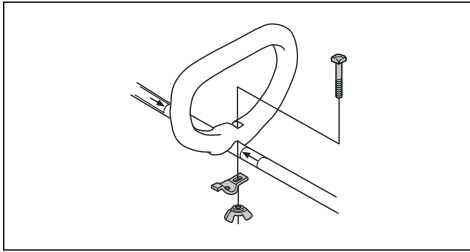
ADVERTENCIA: Antes de montar el producto, debe leer y entender el capítulo sobre seguridad.



ADVERTENCIA: Retire el cable de la bujía antes de montar el producto.

Montaje del asa cerrada

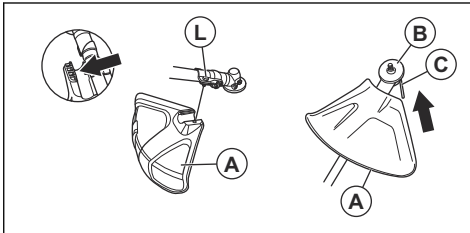
1. Acople el asa al tubo de acuerdo con la ilustración y aprétela.



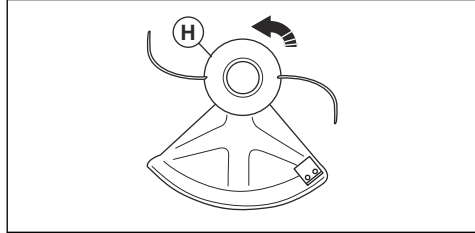
2. Asegúrese de que el asa cerrada se acopla entre las flechas del tubo.

Para fijar la protección del equipo de corte y el cabezal de corte (tubo recto)

1. Fije la protección del equipo de corte (A) en el tubo con el perno (L).
2. Fije el disco de arrastre (B) en el eje de salida.
3. Gire el eje de salida hasta que el orificio del disco de arrastre coincida con el orificio de la caja de engranajes.
4. Coloque un destornillador pequeño (C) en el orificio para bloquear el eje.

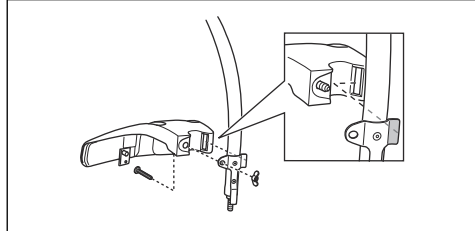


5. Gire el cabezal de corte (H) hacia la izquierda para apretar el cabezal de corte contra la caja de cambios. (Rosca a la izquierda).

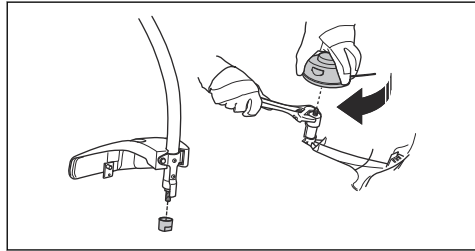


Para acoplar la protección del equipo de corte y el cabezal de corte (tubo curvo)

1. Fije la protección. Apriete la tuerca.



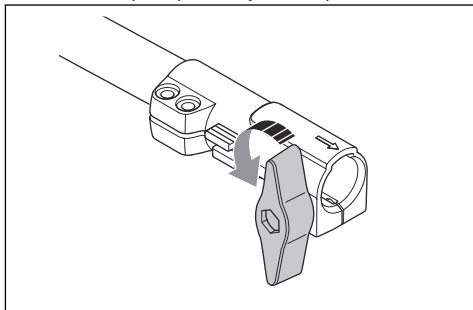
2. Fije el protector de polvo en el tubo.



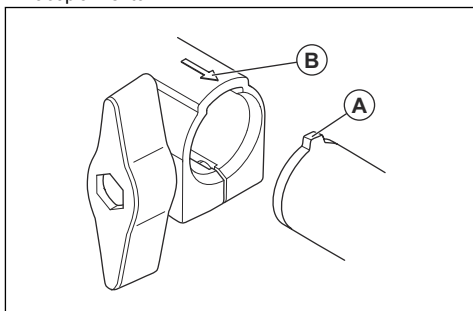
3. Sostenga el colector de polvo con una llave inglesa para asegurarse de que el eje no gire.
4. Monte el cabezal de corte en el eje. Gire el cabezal de corte hacia la derecha.

Para montar el tubo de dos piezas

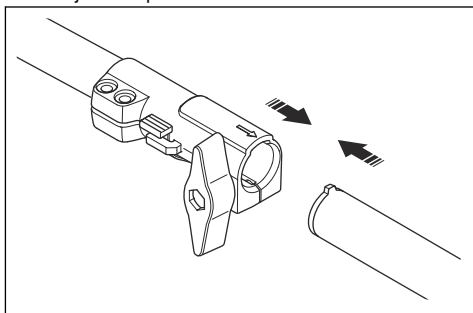
1. Gire la mariposa para aflojar el acoplamiento.



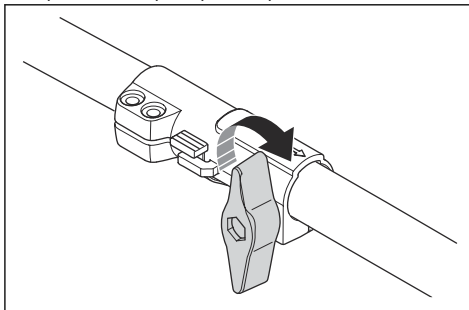
2. Alinee la pestaña (A) con la flecha (B) del acoplamiento.



3. Introduzca el tubo en el acoplamiento hasta que encaje en su posición.

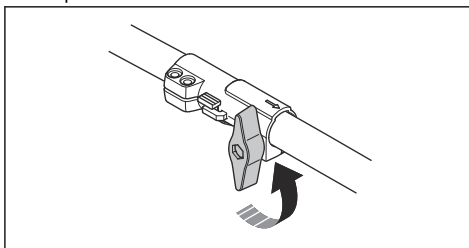


4. Apriete la mariposa por completo.

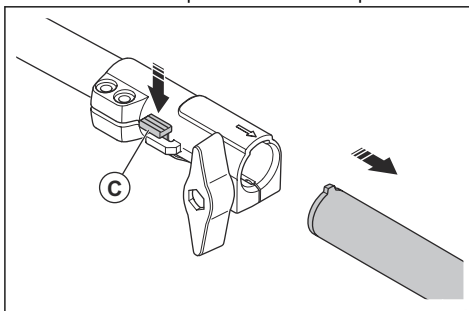


Desmontaje del tubo de dos piezas

1. Gire la mariposa 3 vueltas o más para aflojar el acoplamiento.



2. Mantenga presionado el botón (C).
3. Sujete firmemente el extremo del tubo en que está el motor.
4. Tire del accesorio para retirarlo del acoplamiento.



Funcionamiento

Introducción



ADVERTENCIA: Antes de utilizar el producto, debe leer y entender el capítulo sobre seguridad.

Carburante

Este producto tiene un motor de dos tiempos.



PRECAUCIÓN: Un tipo de combustible incorrecto puede producir daños en el motor. Utilice una mezcla de

gasolina y aceite para motores de dos tiempos.

20

0,40

Combustible premezclado

- Utilice gasolina de alquilato premezclada Husqvarna para mejorar el rendimiento y prolongar la vida útil del motor. Este combustible contiene menos productos químicos peligrosos que la gasolina tradicional, lo que reduce los gases de escape tóxicos. Con este combustible, se reduce la cantidad de residuos de la combustión, lo que ayuda a mejorar el nivel de limpieza de los componentes del motor.

Mezcla de combustible

Gasolina

- Utilice gasolina sin plomo de buena calidad con un máximo de un 10 % de etanol.



PRECAUCIÓN: No utilice gasolina con un octanaje inferior a 90 octanos RON (87 AKI). El uso de gasolina de un octanaje inferior puede causar golpeteo del motor, lo cual puede provocar daños en el motor.

Aceite para motores de dos tiempos

- Para obtener los mejores resultados y un rendimiento óptimo, utilice aceite para motores de dos tiempos Husqvarna.
- Si no se dispone de aceite para motores de dos tiempos Husqvarna, puede utilizarse un aceite para motores de dos tiempos de buena calidad para motores refrigerados por aire. Póngase en contacto con su taller de servicio para seleccionar el aceite correcto.



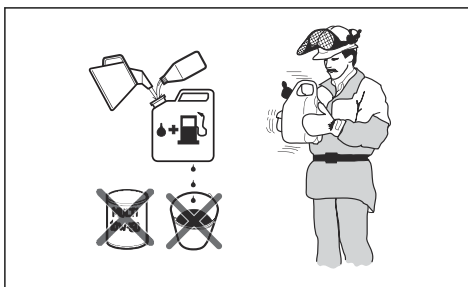
PRECAUCIÓN: No utilice nunca aceite para motores de dos tiempos motores fueraborda refrigerados por agua. No utilice aceite para motores de cuatro tiempos.

Mezcla de gasolina y aceite para motores de dos tiempos

Gasolina, litros	Aceite para motores de dos tiempos, litros
	2 % (50:1)
5	0,10
10	0,20
15	0,30



PRECAUCIÓN: Los errores, por pequeños que sean, pueden influir en la proporción de la mezcla considerablemente si mezcla pequeñas cantidades de combustible. Mida cuidadosamente la cantidad de aceite para asegurarse de obtener la mezcla adecuada.



1. Agregue la mitad de la cantidad de gasolina a un recipiente limpio homologado para combustible.
2. Añada la cantidad total de aceite.
3. Agite la mezcla de combustible.
4. Añada el resto de gasolina al recipiente.
5. Agite bien la mezcla de combustible.



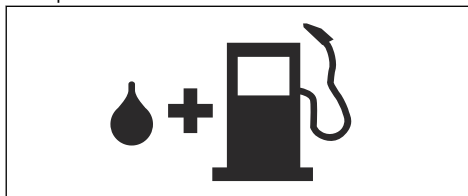
PRECAUCIÓN: No mezcle combustible para más de 1 mes como máximo.

Llenado del depósito de combustible



ADVERTENCIA: Por su seguridad, siga el procedimiento que se indica a continuación.

1. Detenga el motor y deje que se enfríe.
2. Limpie minuciosamente alrededor de la tapa del depósito de combustible.



3. Agite el recipiente y asegúrese de que el combustible esté totalmente mezclado.
4. Abra el tapón del depósito de combustible lentamente para liberar la presión.

5. Llene el depósito de combustible.



PRECAUCIÓN: Asegúrese de que no haya demasiado combustible en el depósito, ya que este se expande cuando se calienta.

6. Apriete con cuidado el tapón del depósito de combustible.
7. Limpie el combustible derramado sobre el producto y alrededor de él.
8. Aparte el producto 3 m (10 pies) o más del lugar y la fuente de repostaje antes de arrancar el motor.

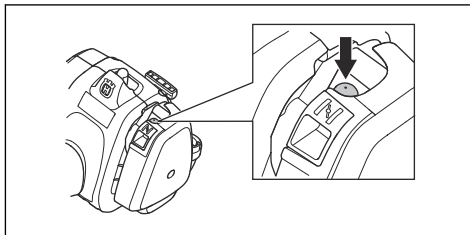
Nota: Para conocer la ubicación del depósito de combustible en el producto, consulte *Descripción del producto en la página 143*.

Para examinar el producto antes de comenzar a trabajar

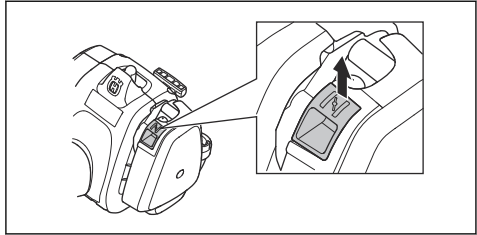
1. Compruebe que no falten piezas en el producto ni que estén dañadas, sueltas o desgastadas.
2. Asegúrese de que las tuercas, los tornillos y los pernos estén bien apretados.
3. Asegúrese de que el cabezal de corte no esté dañado.
4. Asegúrese de que el filtro de aire no esté obstruido.
5. Asegúrese de que los dispositivos de seguridad del producto no estén defectuosos.
6. Asegúrese de que el producto no tenga fugas de combustible.

Para arrancar el motor en frío

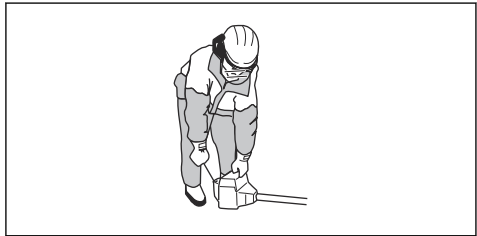
1. Presione la perilla de la bomba de combustible 10 veces.



2. Ponga el estrangulador en la posición de estrangulamiento.



3. Sujete el cuerpo del producto contra el suelo con la mano izquierda.



PRECAUCIÓN: No pise el producto.

4. Tire lentamente de la empuñadura de arranque con la mano derecha hasta que note resistencia. A continuación, tire de la empuñadura de la cuerda de arranque con fuerza y rapidez hasta que el motor arranque o intente arrancar.



ADVERTENCIA: No se enrolle la cuerda de arranque alrededor de la mano.

5. Ponga el estrangulador en la posición de funcionamiento.
6. Si el motor arranca, presione el acelerador ligeramente y deje que el motor funcione durante 60 segundos para que se caliente. Si el motor no arranca, tire de la empuñadura de la cuerda de arranque hasta que el motor arranque. A continuación, presione el acelerador ligeramente y deje que el motor funcione durante 60 segundos para que se caliente.



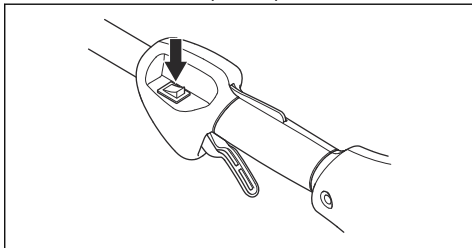
PRECAUCIÓN: No tire de la cuerda de arranque al máximo y no suelte la empuñadura de arranque. Esto puede provocar daños en el producto. Suelte la cuerda de arranque lentamente.

Para arrancar el motor en caliente

1. Presione la perilla de la bomba de combustible 10 veces.
2. Tire de la cuerda de arranque hasta que el motor arranque.

Para detener el producto

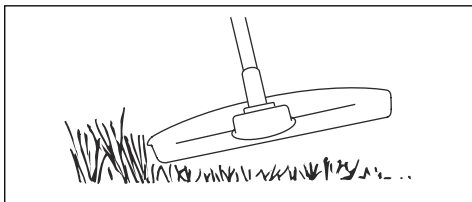
- Presione el botón de parada para detener el motor.



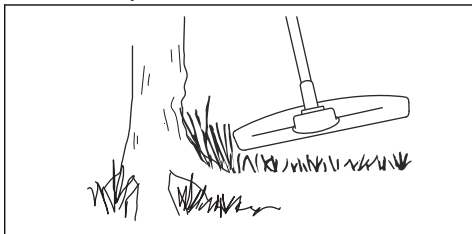
Nota: El interruptor de parada regresa automáticamente a su posición inicial.

Para recortar la hierba

1. Mantenga el cabezal de corte inclinado justo por encima del suelo. No empuje el hilo de corte contra la hierba.



2. Reduzca la longitud del hilo de corte en 10-12 cm / 4-4,75 pulg.
3. Reduzca el régimen del motor para disminuir el riesgo de daños a las plantas.
4. Utilice un 80 % de aceleración para cortar hierba cerca de objetos.

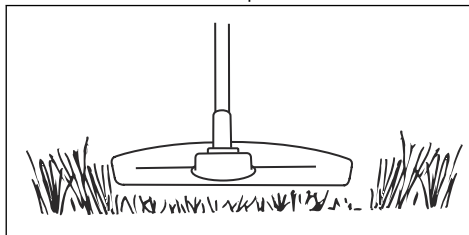


Para desbrozar hierba con una hoja para hierba

1. Las hojas y cuchillas para hierba no deben utilizarse para tallos leñosos.
2. Para todo tipo de hierba alta o gruesa se utiliza la hoja para hierba.
3. Corte la hierba con un movimiento de barrido pendular, donde el movimiento de derecha a izquierda es el de desbroce y el de izquierda a derecha, el de retorno. Haga trabajar a la parte izquierda de la hoja (entre las 8 y las 12 del reloj).
4. Si al desbrozar la hierba la hoja es inclinada un poco hacia la izquierda, la hierba se acumula en una hilera que es más fácil de juntar posteriormente, por ejemplo al rastrillar.
5. Trate de trabajar siguiendo un ritmo. Párese firmemente con las piernas abiertas. Avance después del movimiento de retorno y párese nuevamente con firmeza.
6. Deje que la cazoleta de apoyo toque ligeramente el suelo. Su función es evitar que la hoja corte en el suelo.
7. Para reducir el riesgo de que se enrolle material alrededor de la hoja, trabaje siempre a la aceleración máxima y evite el material cortado previamente durante el movimiento de retorno.
8. Pare el motor, afloje el arnés y apoye la máquina en el suelo antes de recoger la vegetación cortada.

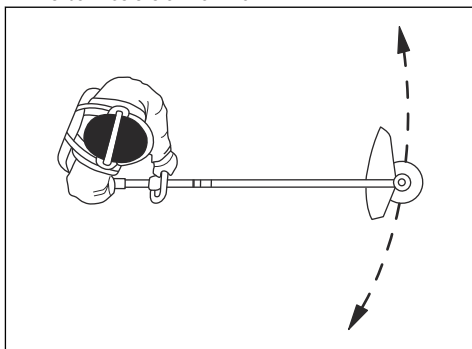
Para cortar la hierba

1. Asegúrese de que el hilo de corte esté paralelo al suelo cuando corte el césped.



2. No empuje el cabezal de corte contra el suelo. Esto puede provocar daños en el producto.

3. Mueva el producto de un lado a otro cuando corte hierba. Acelere al máximo.



Barrer la hierba

El flujo de aire que genera el hilo de corte al girar puede usarse para retirar la hierba cortada de una zona.

1. Mantenga el cabezal de corte y el hilo de corte paralelos al suelo sin llegar a tocarlo.
2. Acelere al máximo.
3. Mueva el cabezal de corte de lado a lado para barrer la hierba.



ADVERTENCIA: Limpie la cubierta del cabezal de corte cada vez que coloque

hilo de corte nuevo para evitar que las empuñaduras pierdan equilibrio y generen vibraciones. Revise también el resto de componentes del cabezal de corte y límpielos si es necesario.

Cabezal de recortadora de césped

- Asegúrese de que enrolla el hilo de corte de la recortadora de césped firme y uniformemente alrededor del tambor para reducir la vibración.
- Utilice únicamente los cabezales de recortadora de césped y los hilos de corte de recortadora de césped autorizados. Consulte la sección *Accesorios en la página 160*.
- Utilice la longitud correcta de hilo de corte de la recortadora. El hilo de corte de recortadora de césped utiliza más potencia de motor cuanto más largo es.
- Asegúrese de que la cortadora de la protección del accesorio de corte no esté dañada.
- Ponga en agua el hilo de corte de la recortadora de césped durante 2 días antes de fijarlo al producto. Esto aumenta la vida útil del hilo de corte de la recortadora de césped.
- Lea las instrucciones del equipo de corte para seguir el proceso correcto a la hora de montar el hilo y elegir el diámetro de hilo correcto.

Mantenimiento

Introducción



ADVERTENCIA: Antes de realizar cualquier trabajo de mantenimiento, debe leer y entender el capítulo sobre seguridad.

Para todos los trabajos de mantenimiento y reparación del producto, es necesario realizar una formación especial. Nosotros garantizamos que los trabajos de mantenimiento y reparación sean realizados por profesionales. Si su distribuidor no es un taller de servicio, pídale información sobre el taller de servicio más cercano.

Programa de mantenimiento

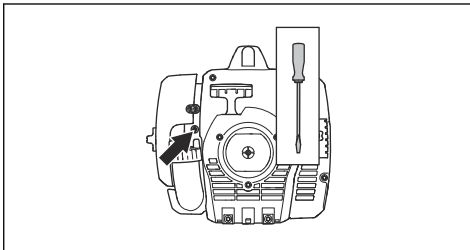
Mantenimiento	Diario	Semanal	Mensual
Limpie la superficie externa.	X		
Limpie el filtro de aire. Proceda con la sustitución si es necesario.	X		
Compruebe el funcionamiento del bloqueo del acelerador y del acelerador.	X		
Examine el botón de parada.	X		
Examine las protecciones.	X		
Examine el cabezal de corte.	X		
Examine la contratuerca.	X		
Examine si hay fugas de combustible.	X		

Mantenimiento	Diario	Semanal	Mensual
Asegúrese de que la hoja para hierba esté alineada con el centro, esté afilada y no presente daños en los dientes ni en el orificio central.	X		
Asegúrese de que el equipo de corte no gire a ralentí.	X		
Aplique grasa al tubo de dos piezas		X	
Examine la empuñadura de la cuerda de arranque y la cuerda de arranque.		X	
Examine la grasa del engranaje angulado.		X	
Limpie la superficie externa de la bujía. Retire la bujía y mida la distancia entre los electrodos. Ajuste la distancia entre los electrodos o sustituya la bujía.		X	
Limpie el sistema de refrigeración.		X	
Limpie o cambie el apagachispas del silenciador.		X	
Limpie el exterior del carburador y la zona alrededor del mismo.		X	
Examine el filtro de combustible por si presenta contaminación.			X
Examine la manguera de combustible en busca de daños.			X
Examine todos los cables y conexiones.			X
Inspeccione si están desgastados el embrague, los muelles de embrague y el tambor de embrague.			X
Cambie la bujía.			X

Para ajustar el régimen de ralentí

Asegúrese de que el filtro de aire está limpio y la cubierta del filtro de aire está conectada antes de ajustar el régimen de ralentí.

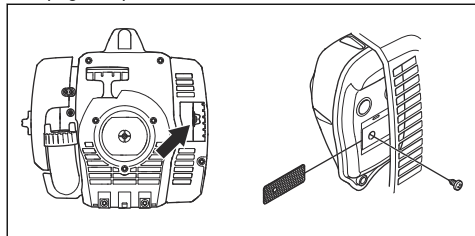
1. Gire el tornillo de ajuste de ralentí, que se identifica con una marca de "T", hacia la derecha hasta que el equipo de corte comience a girar.



2. Gire el tornillo de ajuste de ralentí, que se identifica con una marca de "T", hacia la izquierda hasta que el equipo de corte se detenga.
3. El régimen de ralentí debe ser inferior a la velocidad a la que el equipo de corte comienza a girar. El régimen de ralentí es correcto cuando el motor funciona con suavidad en todas las posiciones.

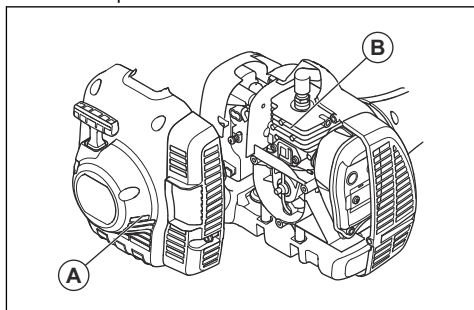
Para realizar el mantenimiento del apagachispas

- Utilice un cepillo de alambre para limpiar el apagachispas.



Para limpiar el sistema de refrigeración

- Limpie la toma de aire (A) del mecanismo de arranque y las aletas de refrigeración (B) del cilindro con un cepillo.

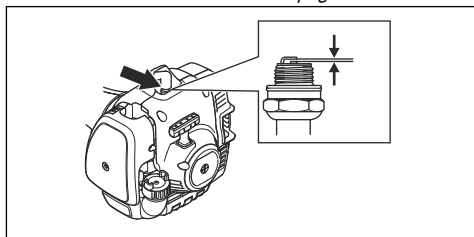


Para examinar la bujía



PRECAUCIÓN: Utilice la bujía recomendada. Asegúrese de que el recambio es el mismo que la pieza suministrada por el fabricante. Una bujía incorrecta puede provocar daños en el producto. Asegúrese de que la bujía está equipada con supresor. Póngase en contacto con su distribuidor para obtener más información.

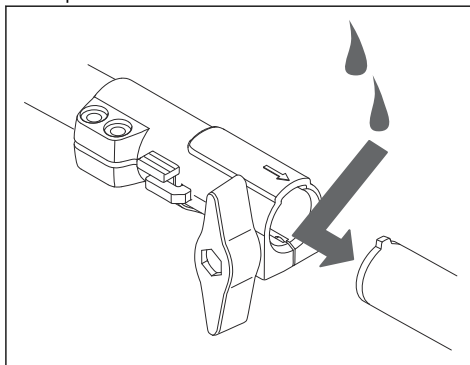
1. Examine la bujía cuando:
 - a) El motor tiene poca potencia.
 - b) El motor no arranca fácilmente.
 - c) El motor no funciona correctamente al régimen de ralentí.
2. Si el motor no resulta fácil de arrancar o funcionar, examine la bujía en busca de materiales no deseados. Para reducir el riesgo de material no deseado en los electrodos de la bujía:
 - a) Asegúrese de que el régimen de ralentí esté bien ajustado.
 - b) Asegúrese de que la mezcla de combustible sea correcta.
 - c) Asegúrese de que el filtro de aire esté limpio.
3. Limpie la bujía si está sucia. Compruebe que la distancia entre los electrodos sea correcta. Consulte la sección *Datos técnicos en la página 159*.



4. Sustituya la bujía cuando sea necesario.

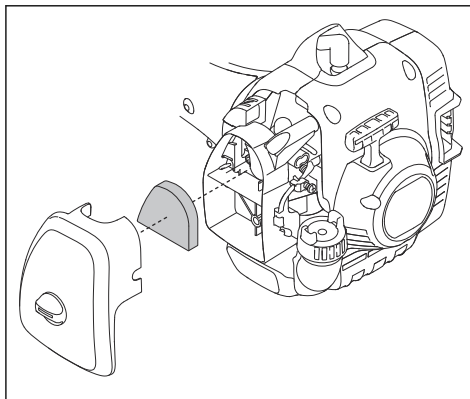
Para aplicar grasa al eje de dos piezas

- Aplique grasa en el extremo del eje propulsor después de cada 30 horas de funcionamiento.



Para limpiar el filtro de aire

1. Saque la cubierta del filtro de aire y extraiga el filtro de aire.



2. Limpie el filtro de aire con agua jabonosa tibia. Asegúrese de que el filtro de aire esté seco antes de instalarlo.
3. Sustituya el filtro de aire si está demasiado sucio para poder limpiarlo completamente. Sustituya siempre el filtro de aire si se avería.
4. Si su producto tiene un filtro de aire de espuma, aplique aceite para filtro de aire. Solo aplique aceite para filtro de aire a los filtros de espuma. No aplique aceite a un filtro de fieltro.

Para aplicar aceite para filtro de aire al filtro de aire

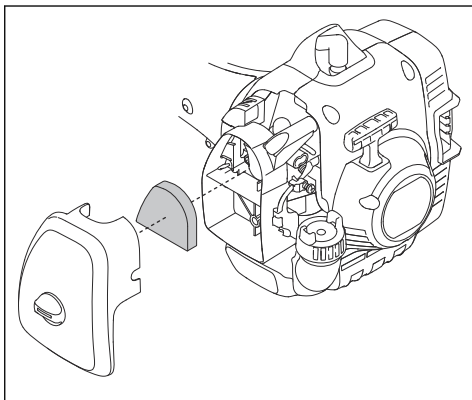


PRECAUCIÓN: Utilice siempre aceite especial para filtro de aire en los filtros de aire de espuma. No utilice otros tipos de aceite.



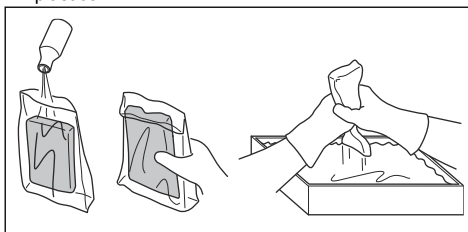
ADVERTENCIA: Evite todo contacto con el aceite.

1. Saque la cubierta del filtro de aire y extraiga el filtro de aire.



2. Coloque el filtro de aire en una bolsa de plástico.

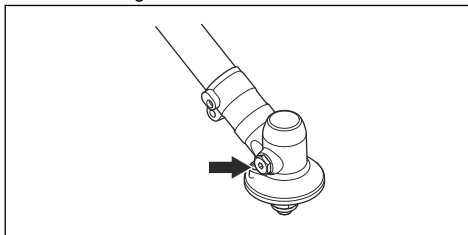
3. Coloque el filtro de aire aceite en la bolsa de plástico.



4. Presione la bolsa de plástico para asegurarse de que el aceite se distribuye uniformemente por el filtro de aire.
5. Sin sacarlo de la bolsa, presione el filtro de aire a fin de extraer el exceso de aceite para filtro de aire. Extraiga el filtro de aire de la bolsa.
6. Instale el filtro de aire.

Para engrasar el engranaje angulado

- Asegúrese de que $\frac{3}{4}$ del engranaje angulado estén llenas de la grasa adecuada.



Resolución de problemas

El motor no arranca

Comprobar	Causa posible	Procedimiento
Ganchos de arranque.	Los ganchos de arranque no pueden moverse libremente.	Retire la cubierta del mecanismo de arranque y limpie alrededor de los ganchos de arranque.
		Deje que un taller de servicio autorizado le ayude.
Depósito de combustible.	Tipo de combustible incorrecto.	Vacíe el depósito de combustible y llénelo con el combustible adecuado.

Comprobar	Causa posible	Procedimiento
Bujía.	La bujía está sucia o mojada.	Asegúrese de que la bujía de encendido está seca y limpia.
	La distancia entre los electrodos de la bujía es incorrecta.	Limpié la bujía. Compruebe que la distancia entre los electrodos sea correcta. Asegúrese de que la bujía está equipada con supresor.
		Consulte <i>Datos técnicos en la página 159</i> para conocer la distancia correcta entre los electrodos.
La bujía está suelta.	Apriete la bujía.	

El motor arranca pero se para de nuevo

Comprobar	Causa posible	Procedimiento
Depósito de combustible	Tipo de combustible incorrecto.	Vacíe el depósito de combustible y llénelo con el combustible adecuado.
Filtro de aire	El filtro de aire está obstruido.	Limpié el filtro de aire.

Transporte y almacenamiento

- Deje siempre que se enfríe el producto antes de almacenarlo.
- Para el transporte y almacenamiento del producto y del combustible, asegúrese de que no haya fugas ni humos. Las chispas o llamas abiertas, por ejemplo, de dispositivos eléctricos o calderas, pueden producir un incendio.
- Use siempre recipientes homologados para el transporte y almacenamiento de combustible.
- Vacíe el combustible antes del transporte o antes de almacenamiento a largo plazo. Deseche el combustible en una ubicación adecuada para su eliminación.
- Fije la protección para transporte cuando vaya a guardar o a transportar el producto.
- Desmonte el sombrerete de bujía de la bujía.
- Fije el producto durante el transporte. Asegúrese de que no pueda moverse.
- Limpie el producto y efectúe las labores de servicio antes de almacenarlo durante un tiempo prolongado.

Datos técnicos

Datos técnicos

	122C	122LK
Motor		
Cilindrada, cm ³	21,7	21,7
Régimen de ralentí, rpm	2900	2900
Régimen máximo, r.p.m.	7200	9100
Velocidad en el eje de salida, rpm	7200	6232

	122C	122LK
Potencia/salida máxima del motor según ISO 8893, kW/CV a rpm	0,6/0,8 a 7800	0,6/0,8 a 7800
Silenciador con catalizador	Sí	Sí
Sistema de encendido con regulación de velocidad	No	No
Sistema de encendido		
Bujía	HQT-4 672201	HQT-4 672201
Distancia entre electrodos, mm	0,5	0,5
Sistema de combustible		
Capacidad del depósito de combustible, l/cm ³	0,3/300	0,3/300
Peso		
Peso sin combustible, equipo de corte y protección, kg	4,4	4,8
Emisiones de ruido ²²		
Nivel de potencia acústica medida, dB(A)	102	104
Nivel de potencia acústica garantizada (L _{WA}), dB(A)	104	108
Niveles de ruido ²³		
Nivel de presión sonora equivalente en el oído del usuario, medido conforme a EN ISO 11806 e ISO 22868, dB(A):	88	90
Niveles de vibraciones ²⁴		
Nivel de vibraciones equivalente (a _{hv, eq}) con cabezal de corte y manillar a la izquierda, m/s ²	5,0	3,6
Nivel de vibraciones equivalente (a _{hv, eq}) con cabezal de corte y manillar a la derecha, m/s ²	3,6	3,5

Accesorios

Accesorios

122C		
Accesorios homologados	Tipo	Protección del equipo de corte
Tubo roscado	3/8 R	–

²² Emisiones sonoras en el entorno medidas como potencia acústica (L_{WA}) según la directiva 2000/14/CE. El nivel referido de potencia acústica del producto se ha medido con el equipo de corte original que produce el nivel más elevado. La diferencia entre la potencia acústica garantizada y medida es que la potencia acústica garantizada también incluye la dispersión en el resultado de la medición y las variaciones entre diferentes productos del mismo modelo, según la directiva 2000/14/CE.

²³ Los datos de nivel de presión sonora equivalente del producto que se han recogido tienen una dispersión estadística típica (desviación estándar) de 1 dB(A).

²⁴ Los datos referidos al nivel de vibración tienen una dispersión estadística habitual (desviación estándar) de 1 m/s².

Cabezal de corte	T25 (Ø 2,0 - hilo de 2,4 mm)	574 47 95-01
	T25C (Ø 2,0 - hilo de 2,7 mm)	
	R25 (Ø 2,0 - hilo de 2,4 mm)	
122LK		
Accesorios homologados	Tipo	Protección del equipo de corte
Tubo roscado	M10	–
Cabezal de corte	T25 (Ø 2,0 - hilo de 2,4 mm)	574 19 87-01
	R25 (Ø 2,0 - hilo de 2,4 mm)	

Se recomienda usar los accesorios siguientes para los modelos indicados abajo.

Accesorios homologados	Tipo	Se usa con
Barredora	SR600-2	122LK
Cortasetos	HA200	122LK
Cortasetos	HA860	122LK
Rebordeadora	ECA850, ESA860	122LK
Sierra	PA1100	122LK
Extensión	EX780	122LK
Cultivador	CA230	122LK
Soplador	BA101	122LK
Cepillo de púas	BR600	122LK
Escarificador	DT600	122LK

Declaración de conformidad

Declaración de conformidad CE

Nosotros, Husqvarna AB, SE-561 82 Huskvarna (Suecia), tel. +46-36-146500, declaramos bajo nuestra exclusiva responsabilidad que el producto:

Descripción	Recortadora de césped/desbrozadora de gasolina
Marca	Husqvarna
Tipo/Modelo	122C, 122LK
Identificación	Número de serie a partir del 2022 en adelante

Cumple las siguientes directivas y normas de la UE:

Norma	Descripción
2006/42/CE	"relativa a las máquinas"
2014/30/UE	"relativa a la compatibilidad electromagnética"
2000/14/CE	"relativa al ruido en exteriores"
2011/65/UE	"restricciones a la utilización de determinadas sustancias peligrosas"

Se han aplicado las normas siguientes:

EN ISO 12100:2010, EN ISO 11806-1:2011, ISO 14982:1998, CISPR 12:2007+A1:2009, EN IEC 63000:2018

RISE SMP Svensk Maskinprovning AB., Box 7035, SE-750 07 Uppsala, Sweden., ha llevado a cabo un examen voluntario para Husqvarna AB.

Los certificados tienen el número: 122C - SEC/10/2271, 122LK - SEC/10/2272

RISE SMP Svensk Maskinprovning AB, ha comprobado también la conformidad con el apéndice V de la Directiva del Consejo 2000/14/CE.

Los certificados tienen el número: 122C - 01/164/068, 122LK - 01/164/067.

Huskvarna 2022-05-13



Claes Losdal, director de I+D de Husqvarna AB
Responsable de la documentación técnica



Sisukord

Sissejuhatus.....	163	Veaotsing.....	177
Ohutus.....	165	Transportimine ja hoiustamine.....	178
Kokkupanek.....	169	Tehnilised andmed.....	178
Töö.....	171	Lisavarustus.....	179
Hooldamine.....	174	Vastavusdeklaratsioon.....	181

Sissejuhatus

Toote kirjeldus

See toode on sisepõlemismootoriga murutrimmer.

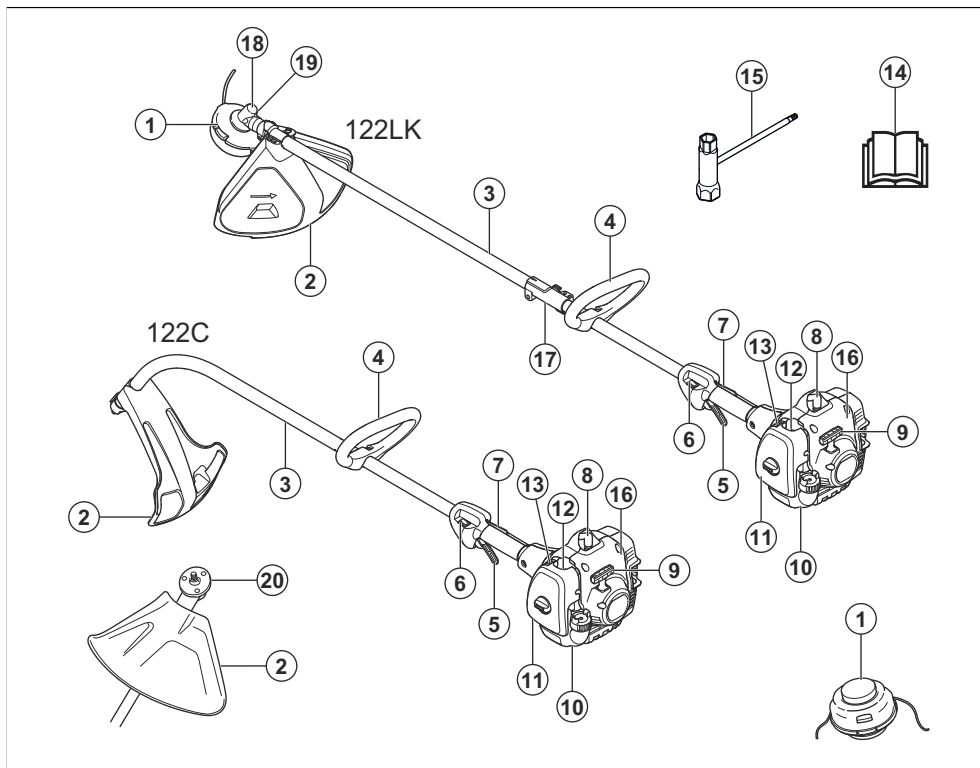
Me teeme pidevalt tööd, et tõsta teie ohutust ja tõhusust töötamisel. Lisateabe saamiseks võtke ühendust hooldusesindusega.

Kasutusotstarve

Toodet kasutatakse trimmeripeaga muru pügamiseks. Ärge kasutage toodet muul otstarbel kui muru pügamiseks, rohu niitmiseks ja metsa puhastamiseks.

Märkus: Riiklikud õigusaktid võivad selle toote kasutamist piirata.

Seadme tutvustus



1. Trimmeripea
2. Lõikeosa kaitse
3. Vars
4. Silmuskäepide
5. Gaasihoovastiku nupp
6. Seiskamislüliti
7. Gaasihoovastiku nupu lukk
8. Süütepea ja süüteküünal
9. Käivitusnööri käepide
10. Kütusepaak
11. Õhufiltri kaas
12. Kütusepump
13. Õhuklapp
14. Kasutusjuhend
15. Lehtsilmusvõti
16. Starteri korpus
17. Varre kinnitus
18. Koonusreduktor
19. Määrdeaine lisamine, nurkreduktor
20. Vedamisketas

Sümbolid tootel



HOIATUS! See seade on ohtlik. Hooletu või väär käsitlemine võib põhjustada kehavigastusi või surma kasutajale või juuresolijatele. Kasutaja ja juuresolijate vigastuste vältimiseks loe läbi kõik kasutusjuhendis leiduvad ohutusjuhised ja järgi neid.



Enne toote kasutamist lugege kasutusjuhend hoolikalt läbi ja veenduge, et kõik juhised oleksid täiesti arusaadavad.



Kohtades, kus sulle võib peale kukkuda esemeid, kasuta kaitsekiivrit. Kandke heakskiidetud kõrvaklappe. Kandke heakskiidetud kaitseprille.



Väljuva völli suurim kiirus.



See toode vastab kehtivatele EÜ direktiividele.



Seade võib esemeid õhku paisata ja see võib põhjustada vigastuse.



Hoidke seadme kasutamise ajal inimestest ja loomadest vähemalt 15 m kaugusele.



Kandke heakskiidetud kaitsekindaid.



Kandke vastupidavaid libisemiskindlaid jalanõusid.



Kasutage ainult elastset jõhvi. Ärge kasutage metallist lõikeosi.



Müraemissioonile viitav keskkonnasilt vastavalt ELi ja UK direktiividele ja määrustele ja Uus Lõuna-Walesi õigusaktile „Protection of the Environment Operations (Noise Control) Regulation 2017“. Toote garanteeritud helivõimsuse taseme andmed leiате jaotisest *Tehnilised andmed lk 178* ja sildil.



Kütusepump.



Õhuklapp.



See toode vastab kehtivatele UK direktiividele.

aaaannxxxx

Mudeli etikett näitab seerianumbrit. **aaaa** on tootmis-aasta, **nn** on tootmis-nädal.

Märkus: Seadmel toodud ülejäänud sümbolid/tähised vastavad muude kommertsvaldkondade sertifitseerimisnõuetele.

Euro V heitmed



HOIATUS: Mootori igasugune modifitseerimine, muutmine või rikkumine tühistab toote EL-i tüübikinnituse.

Kliendiabi

Kliendiabi saamiseks helistage järgmisel numbril: 1-800-487-5951 või külastage veebisaiti www.husqvarna.com.

Tootevastutus

Tootevastutusseaduste alusel ei vastuta me tootest tingitud kahjustuste eest, kui:

- toodet on valesti parandatud;
- toote parandamisel on kasutatud osi, mis ei ole tootja poolt valmistatud või heaks kiidetud;
- tootel on kasutatud tarvikut, mis ei ole tootja poolt valmistatud või heaks kiidetud;
- toodet ei ole parandatud volitatud hoolduskeskuses või volitatud isiku poolt.

Ohutus

Ohutuse määratlused

Mõistetega „hoiatus“, „ettevaatus“ ja „märkus“ juhitakse tähelepanu eriti olulistele kohtadele kasutusjuhendis.



HOIATUS: Tähistab kasutusjuhendi juhiste eiramise korral kasutaja või kõrvalseisjate kehavigastuse või surmaga lõppeva õnnetuse ohtu.



ETTEVAATUST: Tähistab kasutusjuhendi juhiste eiramise korral seadme, muude esemete või läheduses asuvate objektide kahjustamise ohtu.

Märkus: Tähistab antud olukorras vajalikku lisateavet.

Üldised ohutuseeskirjad



HOIATUS: Enne seadme kasutamist lugege läbi järgnevad hoiatused.

- Kasutage toodet õigesti. Valesti kasutamise tagajärjeks võib olla kehavigastus või surm. Kasutage toodet ainult käesolevas kasutusjuhendis kirjeldatud tööde tegemiseks. Ärge kasutage toodet muude tööde tegemiseks.
- Järgige käesolevas kasutusjuhendis toodud juhiseid. Järgige hoiatussümboleid ja ohutuseeskirju. Kui operaator ei järgi juhiseid, eeskirju ja sümboleid, võib selle tagajärjeks olla kahjustus, kehavigastus või surm.
- Hoidke see kasutusjuhend alles. Tarvitage kasutusjuhendit toote kokkupanemisel, kasutamisel ja heas töökorras hoidmisel. Tarvitage kasutusjuhendit tarvikute ja lisavarustuse õigeks paigaldamiseks. Kasutage ainult heakskiidetud tarvikuid ja lisavarustust.
- Ärge kasutage kahjustatud toodet. Järgige hoolduskeemi. Tehke ainult neid hooldustöid, mille juhised on toodud selles kasutusjuhendis. Kõik ülejäänud hooldustööd peab tegema volitatud hoolduskeskus.
- Selles kasutusjuhendis ei saa kirjeldada kõiki olukordi, mis võivad toote kasutamise käigus ette tulla. Olge ettevaatlik ja kasutage tervet mõistust. Ärge kasutage toodet ega tehke hooldustöid, kui te pole antud olukorras kindel. Vestelge lisateabe saamiseks toote asjatundja, edasimüüja, hooldustöökoha või volitatud hoolduskeskuse esindajaga.
- Enne toote kokkupanemist, hoiule asetamist või hooldustööde tegemist lahutage süüteküünla juhe.
- Ärge kasutage toodet, kui selle algseid tehnilisi näitajaid on muudetud. Ärge muutke toote ühtegi osa ilma tootja heakskiuduta. Kasutage ainult tootja heakskiidetud osi. Vale hooldamise tagajärjeks võib olla kehavigastus või surm.
- Ärge hingake sisse mootori heitgaase. Mootori heitgaaside pikaajaline sissehingamine on tervisele ohtlik.
- Ärge käivitage toodet siseruumis ega tuleohtlike materjalide lähedal. Heitgaasid on tulised ja võivad sisaldada sädemeid, mis võivad põhjustada tulekahju. Ebapiisav õhuvahetus võib põhjustada lämbumist või vingugaasimürgitustest tingitud kehavigastuse või surma.
- Toote mootor tekitab kasutamise ajal elektromagnetvälja. Elektromagnetväli võib kahjustada meditsiinilisi implantaate. Enne toote kasutamist pidage nõu oma arsti ja implantaadi valmistajaga.
- Ärge lubage lastel toodet käsitseda. Ärge lubage kasutusjuhistega mitte tutvunud isikul toodet käsitseda.
- Kui toodet kasutab piiratud füüsiliste või vaimsete võimete isik, peab ta olema kogu aeg järelevalve all. Vastutusvõimeline täiskasvanu peab kogu aeg kasutaja juures viibima.
- Kasutusel mitte olev toode lukustage kohta, kus lapsed ja volitamata isikud selle juurde ei pääse.
- Toode võib esemede õhku paisata ja põhjustada kehavigastusi. Vigastus- ja surmaohtu vähendamiseks järgige ohutuseeskirju.
- Ärge lahkuge töötava mootoriga toote juurest.
- Õnnetusjuhtumite eest toote kasutamisel vastutab toote operaator.
- Enne toote kasutamist veenduge, et kõik osad oleksid terved.

- Enne toote kasutamise alustamist veenduge, et teised inimesed ja loomad asuksid teist vähemalt 15 m (50 jala) kaugusel. Veenduge, et läheduses viibivad inimesed oleksid toote kasutamisest teadlikud.
- Tutvuge riiklike või kohalike eeskirjadega. Need võivad toote kasutamist teatud asjaoludel piirata või selle keelata.
- Ärge kasutage seadet, kui olete väsinud või tarvitanud alkoholi, narkootikume või ravimeid. See võib mõjutada teie nägemist, tähelepanelikkust, koordinatsiooni või hinnangut.

Ohutusjuhised kokkupanekul



HOIATUS: Enne seadme kasutamist lugege läbi järgnevad hoiatused.

- Enne seadme kokkupanemist eemaldage süüteküünala kate süüteküünla küljest.
- Kandke heakskiidetud kaitsekindaid.
- Enne mootori käivitamist veenduge, et kinnitasite katte ja võlli õigesti.

Ohutusjuhised kasutamisel

- Enne toote kasutamist veenduge, et see oleks täielikult kokku pandud.
- Enne käivitamist viige toode vähemalt 3 m (10 jala) kaugusele kohast, kus toimus kütusepaagi täitmine. Asetage toode tasasele pinnale. Veenduge, et lõikeosa ei puutuks vastu maad või muid esemeid.
- Toode võib esemeid õhku paisata ja see võib kahjustada silmi. Toote kasutamisel kandke alati heakskiidetud kaitseprille.
- Olge tähelepanelik, sest näiteks laps võib toote kasutamise ajal ootamatult teie lähedale tulla.
- Ärge kasutage toodet, kui tööpiirkonnas on inimesi. Peatage toode, kui tööpiirkonda siseneb inimene.
- Veenduge, et toode oleks alati teie kontrolli all.
- Ärge kasutage toodet, kui te ei saa võimaliku õnnetusjuhtumi korral kedagi appi kutsuda. Enne toote kasutamise alustamist veenduge alati, et teised oleksid toote kasutamisest teadlikud.
- Ärge pöörake end koos tootega enne, kui olete veendunud, et ohualas ei viibiks ühtegi inimest ega looma.
- Enne töö alustamist eemaldage tööpiirkonnast kõik sobimatud esemed. Kui lõikeosa pörkab vastu eset, võib ese õhku paiskuda ja põhjustada kehavigastuse või surma. Sobimatud esemed võivad lõikeosa külge takerduda ja põhjustada kahjustusi.
- Ärge kasutage toodet halva ilmaga (udu, vihm, tugev tuul, äikesoht vms ilmaolud). Halva ilmaga võivad tekkida ohtlikud tingimused (näiteks libedad pinnad).

- Veenduge et saaksite liikuda vabalt ja töötada stabiilses asendis.



- Kindlustage, et te ei saaks toote kasutamise ajal kukkuda. Ärge kallutage toote kasutamise ajal.
- Hoidke toodet alati kahe käega. Hoidke toodet endast paremal.



- Toote kasutamise ajal peab lõikeosa asuma vöökohast allpool.
- Kui õhuklapp on mootori käivitamisel õhuklapi asendis, hakkab lõikeosa pöörlema.
- Pärast mootori seiskumist ärge puudutage nurkreduktorit. Nurkreduktor on pärast mootori seiskumist tuline. Tulised pinnad võivad põhjustada kehavigastusi.
- Enne toote liigutamist seisake motor.
- Ärge asetage töötava mootoriga toodet maha.
- Enne toote külge jäanud kõrvaliste esemete eemaldamist seisake motor ja oodake, kuni lõikeosa on peatunud. Enne kui teie ise või abiline asub kõrvalisi esemeid eemaldama, laske lõikeosal täielikult peatuda.

Isikukaitsevahendid



HOIATUS: Enne toote kasutamist loe läbi järgnevad hoiatused.

- Seadmega töötamisel tuleb kasutada ettenähtud isikukaitsevarustust. Isikukaitsevarustus ei välista täielikult kehavigastuste ohtu, kuid vähendab õnnetusjuhtumi korral kehavigastuse raskusastet. Õige varustuse valimiseks pöörduge edasimüüja poole.
- Kaitsekiivrit, kohtades, kus on langevate esemete oht.

- Kandke alati sobiva summutusvõimega kuulmiskaitsmeid. Pikaajaline müra võib tekitada püsiva kuulmiskahjustuse.
- Kanna heakskiidetud kaitseprille. Näokaitsme kasutamisel tuleb lisaks kasutada heakskiidetud kaitseprille. Heakskiidetud kaitseprillide all mõeldakse selliseid prille, mis vastavad standardile ANSI Z87.1 USA-s või EN 166 Euroopa Liidu riikides.
- Näo kaitsmiseks kasutage visiiri. Visiir ei ole silmade kaitsmiseks piisav.



- Vajaduse korral kandke kaitsekindaid, näiteks löikeosa kinnitades, kontrollides või puhastades.
- Kandke tugevaid, mittelibisevaid saapaid.
- Kandke vastupidavat materjalist riideid. Kandke alati pikki raskeid pükse ja pikki varrukaid. Hoiduge liiga avaratest rõivastest, mis võivad okstesse takerduda. Ärge kandke ehteid, lühikesi pükse, lahtiseid jalatseid ega käige paljajalu. Kinnitage juuksed ohutult õlgadest kõrgemale.



- Hoidke esmaabikomplekt käepärast.



Toote ohutusseadised

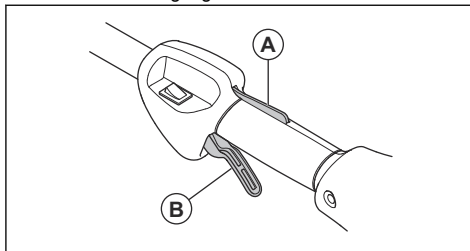


HOIATUS: Enne seadme kasutamist lugege läbi järgnevad hoiatused.

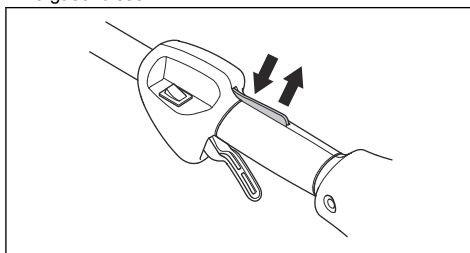
- Ärge kunagi kasutage seadet, kui selle ohutusseadised on defektsed.
- Kontrollige ohutusseadiseid regulaarselt. Vt jaotist *Hooldusskeem lk 175*.
- Kui ohutusseadised on defektsed, pöörduge Husqvarna hooldusesindusse.

Gaasihoovastiku nupu luku kontrollimine

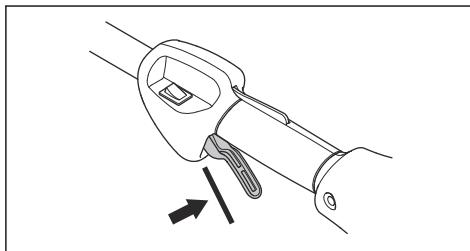
1. Veenduge, et gaasihoovastiku nupu lukustusmutter (A) ja gaasihoovastiku nupp (B) liiguksid takistamatult ning tagastusvedru töötaks korralikult.



2. Vajutage gaasihoovastiku nupu lukku alla ja veenduge, et vabastamisel liiguks see tagasi algasendis.



3. Veenduge, et gaasihoovastiku nupp lukustuks tühikäiguasendis, kui gaasihoovastiku nupu lukku vabastatakse.



4. Käivitage seade ja rakendage täisgaas.
5. Vabastage gaasihoovastiku nupp ja veenduge, et terad peatuks ja jääks paigale.

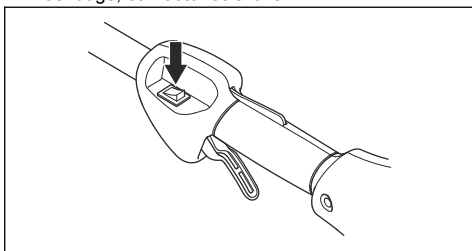


HOIATUS: Kui gaasihoovastiku nupp paneb tühikäigul terad liikuma, tuleb tühikäigu pöörete arvu seadistada. Vt jaotist *Tühikäigu pöörete arvu reguleerimine lk 175*.

Seiskamisülilüüti kontrollimine

1. Käivitage mootor.

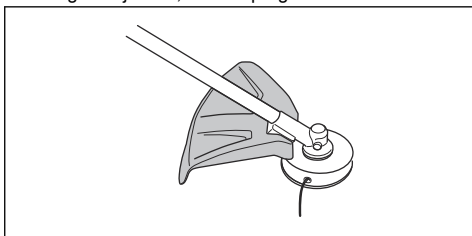
2. Liigutage seiskamislüliti seiskamisasendisse ja veenduge, et mootor seiskuks.



Lõikeosa kaitsme kontrollimine

Lõikeosa kaitse takistab esemete paiskumist seadmekasutaja suunas. Samuti aitab see ära hoida kehavigastusi, mida võib tekitada lõikeosa puudutamine.

1. Seisake mootor.
2. Otsige kahjustusi, näiteks pragusid.



3. Kui lõikeosa kaitse on kahjustunud, vahetage see välja.

Summuti

- Ärge kasutage mootorit, kui summuti on kahjustatud. Kahjustatud summuti tõstab mürataset ja suurendab tulekahju ohtu. Hoidke tulekustuti käepärast.
- Kontrollige regulaarselt, kas summuti on toote küljes alles.
- Ärge puudutage mootorit ega summutit, kui mootor on tuline. Ärge puudutage mootorit ega summutit mõnda aega pärast mootori seiskamist. Tulised pinnad võivad põhjustada kehavigastusi.
- Tuline summuti võib põhjustada tulekahju. Olge väga ettevaatlik, kui kasutate toodet tuleohtlike vedelike või aurude läheduses.
- Kui summuti on kahjustatud, ärge puudutage summuti osi. Osad võivad sisaldada kantserogeenseid aineid.

Lõikeosa



HOIATUS: Enne seadme kasutamist lugege läbi järgnevad hoiatused.

- Tehke regulaarselt hooldustöid. Laske lõikeosa volitatud hoolduskeskuses regulaarselt läbi vaadata ja teha vajalikud reguleerimis- või parandustööd.
 - Lõikeosa jõudlus suureneb.
 - Lõikeosa kasutusiga pikeneb.
 - Õnnetuste oht väheneb.
- Kasutage üksnes heakskiidetud lõikeosa kaitset. Vt jaotist *Lisavarustus lk 179*.
- Ärge kasutage kahjustatud lõikeosa.

Ohutusnõuded kütuse käsitlemisel



HOIATUS: Enne toote kasutamist lugege läbi järgnevad hoiatused.

- Ärge segage kütust siseruumides ega kuumusallika lähedal.
- Ärge käivitage toodet, kui toote pinnale on sattunud kütust või mootoriõli. Eemaldage kütus/õli toote pinnalt ja laske tootel kuivada. Eemaldage kütus toote pinnalt.
- Kui kütus satub rõivastele, siis vahetage kohe riideid.
- Vältige kütuse sattumist nahale, see võib põhjustada kehavigastusi. Kui kütus satub nahale, puhastage piirkond seebi ja veega.
- Ärge käivitage mootorit, kui kütus või õli satub toote pinnale või teie nahale.
- Ärge käivitage toodet, kui mootor lekib. Kontrollige regulaarselt mootori lekkekindlust.
- Olge kütuse käsitlemisel ettevaatlik. Kütus on tuleohtlik ja kütuse aurud on plahvatusohtlikud ning võivad põhjustada kehavigastusi või surma.
- Ärge hingake sisse kütuseaure, see võib põhjustada kehavigastuse. Tagage piisav õhuvahetus.
- Ärge suitsetage kütuse ega mootori läheduses.
- Ärge asetage kuumi esemeid kütuse ega mootori lähedusse.
- Ärge tankige kütust, kui mootor töötab.
- Enne tankimise alustamist veenduge, et mootor oleks külm.
- Enne tankimise alustamist avage aeglaselt kütusepaagi kork ja laske survel alaneda.
- Kütuse tankimisel ja segamisel (bensiin ja kahetaktiõli) või kütusepaagi tühjendamisel tagage piisav õhuvahetus.
- Kütus ja kütuseaurud on väga tuleohtlikud ning nende sissehingamine või nahale sattumine võib põhjustada mürgistust ja tõsiseid kehavigastusi. Seetõttu olge kütuse käsitlemisel ettevaatlik ja tehke seda hea õhuvahetusega kohas.
- Keerake kütusepaagi kork hoolikalt kinni, et vältida tulekahju.
- Enne käivitamist viige toode vähemalt 3 m (10 jala) kaugusele kohast, kus toimus kütusepaagi täitmine.
- Ärge tankige paaki liiga palju kütust.

- Veenduge, et toote või kütusenõu liigutamisel ei tekiks lekett.
- Ärge asetage toodet või kütusenõu kohta, kus on lahtine leek, sädemed või süüteleek. Veenduge, et hoiukohas ei oleks lahtist leeki.
- Kütuse kandmiseks või hoidmiseks kasutage üksnes heakskiidetud mahuteid.
- Enne pikaajalisele hoiule jätmist tühjendage kütusepaak. Järgige kütuse kasutuselt kõrvaldamist reguleerivaid kohalikke eeskirju.
- Enne pikaajalisele hoiule jätmist puhastage toode.
- Enne toote hoiule jätmist eemaldage süüteküünla kate, et vältida mootori tahtmatu käivitamise võimalus.

Ohutusjuhised hooldamisel



HOIATUS: Enne seadme kasutamist lugege läbi järgnevad hoiatused.

- Enne hooldustööde alustamist seisake mootor, veenduge, et lõikeosa oleks täielikult peatunud ja laske tootel maha jahtuda.
- Enne hooldamist ühendage lahti süüteküünla kate.
- Mootori heitgaasid sisaldavad vingugaasi: lõhnatud, mürgist ja väga ohtlikku gaasi, mis võib põhjustada

surma. Ärge laske seadmel töötada siseruumis või väikesel suletud alal.

- Mootori heitgaasid on kuumad ja võivad sisaldada sädemeid. Ärge käivitage toodet siseruumis ega tuleohtlike materjalide ligidal.
- Tootja heakskiiduta tarvikud ja muudatused toote juurest võivad põhjustada tõsiseid kehavigastusi või surma. Ärge muutke toodet. Kasutage alati originaalisatavikuid.
- Kui seadet regulaarselt ja õigesti ei hooldata, suureneb oht, et seade saab kahjustada ja võib kedagi vigastada.
- Hooldage toodet ainult nii, nagu selles kasutusjuhendis soovitatakse. Laske kõik muud hooldustööd teha Husqvarna heakskiidetud hooldustöökojas.
- Laske toodet regulaarselt hooldada Husqvarna heakskiiduga hooldustöökojas.
- Asendage kahjustatud, kulunud ja katkised osad.
- Lugege lõikeosade juhistest, kuidas trimmeri nõõri õigesti paigaldada ja milline on nõõri õige läbimõõt.
- Jälgige, et lõiketera hambad oleksid teritatud. Järgige meie soovitusi. Vaadake ka lõiketera pakendil olevaid juhiseid.

Kokkupanek

Sissejuhatus



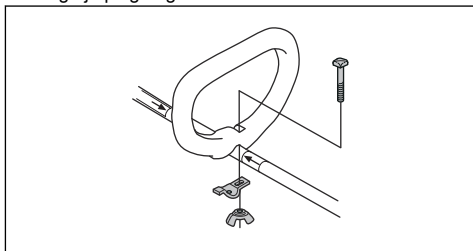
HOIATUS: Enne seadme kokkupanemist lugege põhjalikult läbi ohutust puudutav jaotis.



HOIATUS: Enne seadme kokkupanemist eemaldage süüteküünla juhe süüteküünla küljest.

Silmuskäepideme paigaldamine

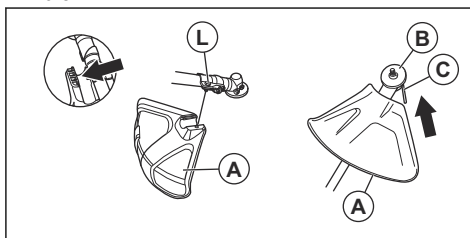
1. Paigaldage joonise eeskujul silmuskäepide varre külge ja pingutage.



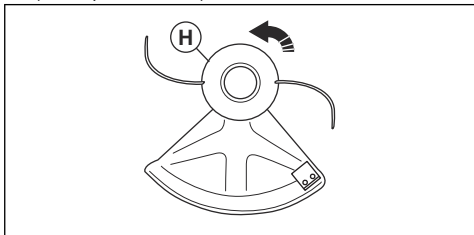
2. Veenduge, et silmuskäepide kinnituks varrel olevate noolte vahele.

Lõikeosa kaitse ja trimmeripea paigaldamine (sirge vars)

1. Kinnitage lõikeosa kaitse (A) varre külge poldiga (L).
2. Paigaldage veoketas (B) väljuvale võllile.
3. Pöörake väljuvat võlli, kuni veoketta ava asub kohakuti ülekande avaga.
4. Pange avasse väike kruvikeeraja (C) ja lukustage vars.

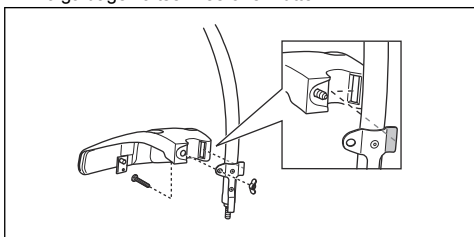


- Keerake trimmeripead (H) vastupäeva, et trimmeripea käigukasti külge kinnitada. (Vasakpoolne keere)

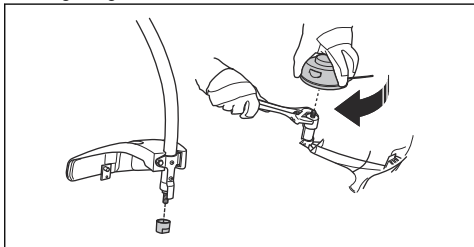


Lõikeosa kaitse ja trimmeripea paigaldamine (köver vars)

- Paigaldage kaitse. Keerake mutter kinni.



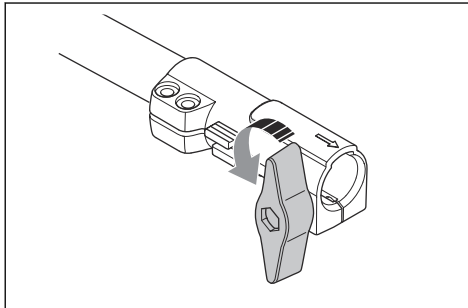
- Paigaldage tolmu anum varrele.



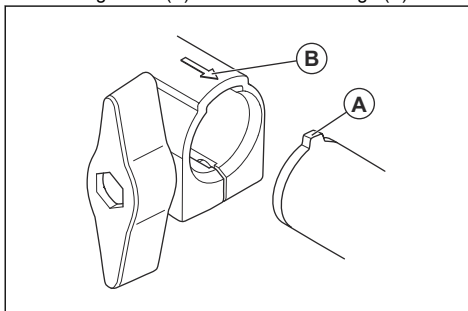
- Hoidke tolmu anumat tellitava võtme abil kinni ja veenduge, et vars ei pöörduks.
- Paigaldage trimmeripea varrele. Keerake trimmeripead päripäeva.

Lahtivõetava varre paigaldamine

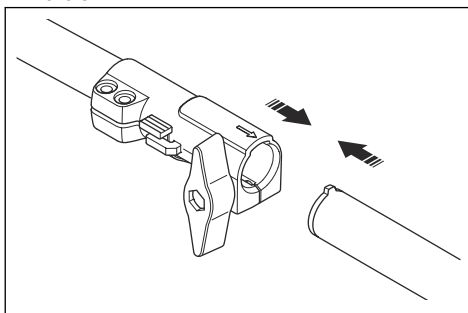
- Keerake nuppu, et avada varre liitmik.



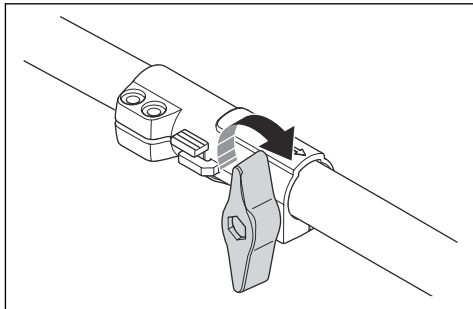
- Joondage sakk (A) liitmikul oleva noolega (B).



- Sisestage vars liitmikku, kuni vars kinnitub klõpsuga kohale.

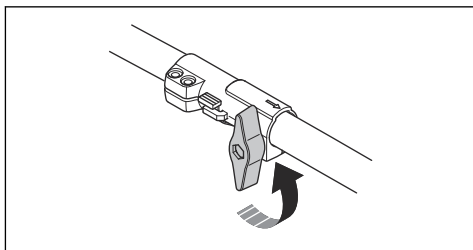


4. Keerake nupp korralikult kinni.



Lahtivõetava varre eemaldamine

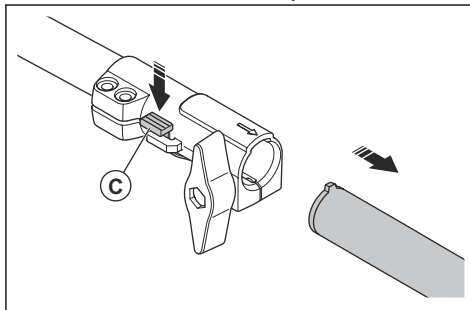
1. Keerake liitmiku vabastamiseks nuppu 3 pööret või rohkem.



2. Vajutage nupule (C) ja hoidke seda all.

3. Hoidke sellest varre otsast, mille külge mootor on kinnitatud, tugevasti kinni.

4. Tõmmake vars otse sidurist välja.



Töö

Sissejuhatus



HOIATUS: Enne seadme kasutamist lugege põhjalikult läbi ohutust puudutav jaotis.

Kütus

Tootel on kahetaktiline mootor.



ETTEVAATUST: Vale kütuse kasutamine võib mootorit kahjustada. Kasutage bensiini ja kahetaktiõli segu.

Eelsegatud kütus

- Parima jõudluse saavutamiseks ja mootori tööea pikendamiseks kasutage Husqvarna eelsegatud alkülaatkütust. See kütus sisaldab tavalise kütusega võrreldes vähem kahjulikke kemikaale, mis omakorda vähendab kahjulikke heitgaase. Selle kütuse korral on põlemisjääkide hulk väiksem ja see aitab hoida mootoriosad puhtamana.

Kütuse segamine

Bensiin

- Kasutage kvaliteetset kuni 10% etanoolisisaldusega pliivaba bensiini.



ETTEVAATUST: Ärge kasutage bensiini, mille oktaaniarv on alla 90 RON (87 AKI). Madalama oktaaniarvuga bensiini kasutamine võib põhjustada mootori klopimist, mis omakorda kahjustab mootorit.

Kahetaktiõli

- Parimate tulemuste ja jõudluse saavutamiseks kasutage Husqvarna kahetaktiõli.
- Kui Husqvarna kahetaktiõli pole saadaval, kasutage õhkjahutusega mootoritele mõeldud kvaliteetset kahetaktiõli. Õige õli valimiseks pöörduge hooldusesindusse.



ETTEVAATUST: Ärge kasutage vesijahutusega päramootoritele mõeldud kahetaktiõli, mida tuntakse ka

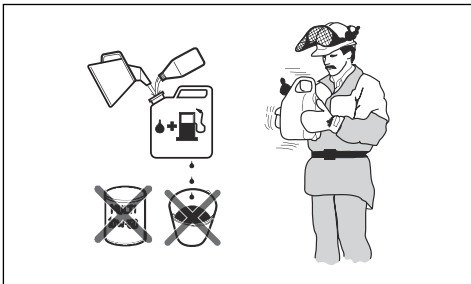
paadimootoriõlina. Ärge kasutage neljatakimootori õlisid.

Bensiini ja kahetaktiõli segamine

Bensiin, l	Kahetaktiõli, l
	2% (50:1)
5	0,10
10	0,20
15	0,30
20	0,40



ETTEVAATUST: Väikeste kütusekoguste segamisel võib väike viga segusuhet oluliselt mõjutada. Mõõtkte segatava õli kogus väga täpselt ja veenduge, et segu oleks õige.



1. Valage puhtasse kütusenõusse pool bensiinikogusest.
2. Valage nõusse kogu vajaminev õlikogus.
3. Segage kütusesegu.
4. Lisage nõusse ülejäänud bensiinikogus.
5. Segage kütusesegu hoolikalt.



ETTEVAATUST: Ärge segage kütust korraga rohkem, kui on teie ühe kuu varu.

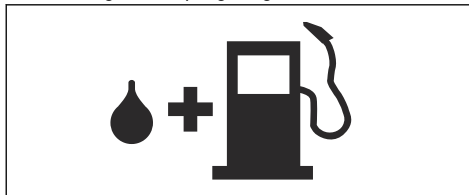
Kütusepaagi täitmine



HOIATUS: Ohutuse tagamiseks järgige tegevusjuhiseid.

1. Seisake mootor ja laske mootoril maha jahtuda.

2. Puhastage kütusepaagi korki ümbrus.



3. Loksutage kütusenõu veendumaks, et kütus on täielikult segunenud.
4. Surve vabastamiseks avage kütusepaagi kork aeglaselt.
5. Täitke kütusepaak.



ETTEVAATUST: Veenduge, et paagis ei ole liiga palju kütust. Kuumenedes kütus paisub.

6. Pingutage kütusepaagi korki korralikult.
7. Eemaldage mahavalgunud kütus tootelt ja selle ümbrusest.
8. Enne mootori käivitamist viige seade tankimiskohast ja kütusenõust vähemalt kolme meetri kaugusele.

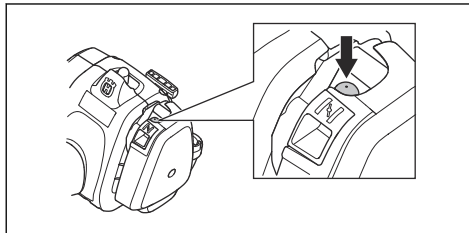
Märkus: Kütusepaagi asukoha leidmiseks oma seadmel vt *Seadme tutvustus lk 163*.

Mida enne alustamist kontrollida

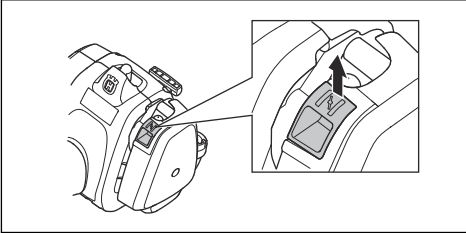
1. Veenduge, et seadmel poleks puuduvaid, katkisi, lahtisi või kulunud osasid.
2. Veenduge, et kõik mutrid, kruvid ja poldid oleksid pingutatud.
3. Veenduge, et trimmeripea oleks kahjustamata.
4. Veenduge, et õhufilter poleks ummistunud.
5. Veenduge, et toote ohutusseadistel poleks defekte.
6. Veenduge, et tootel poleks kütuselekked.

Külma mootori käivitamine

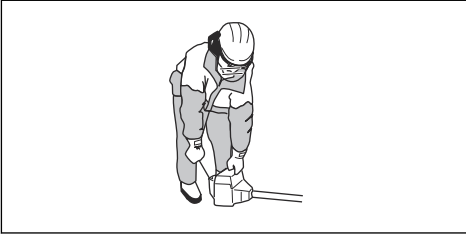
1. Vajutage kütusepumpa 10 korda.



2. Sea õhuklapp käivitusasendisse.



3. Suruge toote korpus vasaku käega vastu maad.



ETTEVAATUST: Ärge astuge tootele.

4. Tõmmake parema käega aeglaselt käivitusnööri, kuni tunnete takistust. Seejärel tõmba starteri käivitusnööri käepidet kiiresti ja jõuga, kuni mootori käivitub või püüab käivituda.



HOIATUS: Käivitusnööri ei tohi kerida käe ümber.

5. Vii õhuklapp tööasendisse.
6. Kui mootor käivitub, vajuta pisut gaasihoovastiku nuppu ja lase mootoril soojenemiseks 60 sekundit töötada. Kui mootor ei käivitu, tõmba starteri käivitusnööri käepidet seni, kuni mootor käivitub. Seejärel vajuta pisut gaasihoovastiku nuppu ja lase mootoril soojenemiseks 60 sekundit töötada.



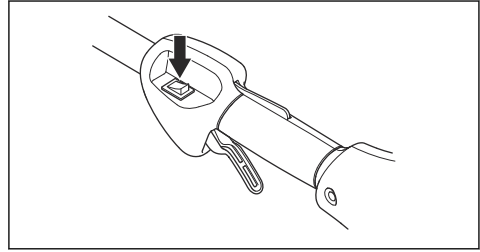
ETTEVAATUST: Ärge tõmmake käivitusnööri lõpuni välja ja ärge laske käivitusnööri käest lahti. See võib seadet kahjustada. Vabastage käivitusnõör aeglaselt.

Sooja mootori käivitamine

1. Vajutage kütusepumpa 10 korda.
2. Tõmmake käivitusnööri, kuni mootor käivitub.

Seadme seiskamine

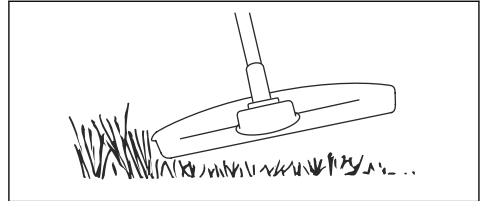
- Mootori seiskamiseks vajutage seiskamislülitit.



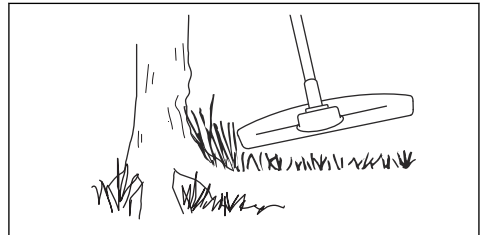
Märkus: Seiskamislülitit naaseb automaatselt algasendisse.

Muru pügamine

1. Hoidke trimmeripead nurga all maapinna kohal. Ärge vajutage trimmerijõhvi rohu sisse.



2. Lühendage trimmerijõhvi pikkust 10–12 cm (4–4,75 tolli).
3. Taimede kahjustamise ohu vähendamiseks vähendage mootori kiirust.
4. Esemete või rajatiste lähedal asuva muru pügamisel rakendage 80% gaasi.



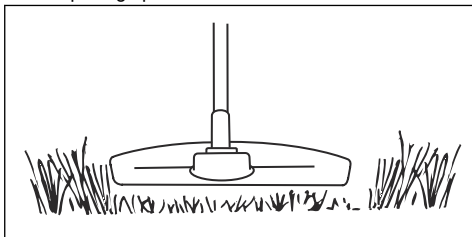
Rohu niitmine rohuteraga

1. Jämedamate tüvede lõikamiseks ei tohi kasutada rohunuga või rohutera.
2. Igasuguse kõrge või jämeda rohu puhul kasutatakse rohutera.
3. Rohi niidetakse maha külgsuunalise edasi-tagasi liikumisega, mille käigus niitmine toimub paremalt vasakule liikumisel ja vasakult paremale liikumisega jõutakse tagasi algasendisse. Lõigake lõiketera vasaku poolega (kella 8 ja 12 vahel).

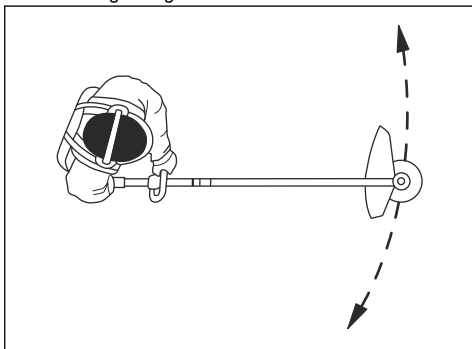
4. Kui kallutada lõiketera rohu lõikamisel veidi vasakule, koguneb rohi kaarde, kergendades selle kokkukogumist, näiteks riisumist.
5. Püüdke töötada rütmiliselt. Seiske kindlalt, jalad harkis. Liikuge algasendisse tagasiviimise järel edasi ning võtke uuesti kindel asend.
6. Laske tugikuppel vastu maad. Selle otstarve on kaitsta lõiketera maasse tungimast.
7. Selleks et materjal vähem lõiketera ümber keerduks rakendage töötamisel alati täisgaasi ja vältige algasendisse liikumisel kokkupuudet niidetud materjaliga.
8. Enne lõigatud materjali kokkukogumist seisake mootor, võtke seade rakmetest välja ja pange maha.

Rohu lõikamine

1. Rohu lõikamisel jälgige, et trimmeri jõhv asuks maapinnaga paralleelselt.



2. Ärge vajutage trimmeripead vastu maapinda. See võib toodet kahjustada.
3. Liigutage muru lõigates toodet küljelt-küljele. Rakendage täisgaasi.



Muru eemalpeühkimine

Pöörleva trimmerijõhvi ümber tekkivat õhuvoolu saab kasutada lõigatud muru alalt eemaldamiseks.

1. Hoidke trimmeripead ja jõhvi maapinna kohal maapinnaga paralleelselt.
2. Rakendage täisgaasi.
3. Liigutage trimmipead küljelt küljele ja pühkige muru.



HOIATUS: Uue trimmerijõhvi paigaldamisel puhastage trimmeripea katet, et vältida tasakaaluhäireid ja käepidemete vibreerimist. Kontrollige ja vajaduse korral puhastage ka trimmipea muid osi.

Rohutrimmeripea

- Vibratsiooni vähendamiseks kerige rohutrimmeri jõhv trumlile tihedalt ja ühtlaselt.
- Kasutage üksnes heakskiidetud rohutrimmeripäid ja rohutrimmeri jõhve. Vt jaotist *Lisavarustus lk 179*.
- Kasutage õige pikkusega rohutrimmeri jõhvi. Pikk rohutrimmeri jõhv tarvitab rohkem mootori võimsust kui lühike rohutrimmeri jõhv.
- Kontrollige, et lõikeosa kaitse peal asetsev lõikur ei oleks kahjustatud.
- Enne rohutrimmeri jõhvi tootele paigaldamist leotage jõhvi kaks päeva vees. See pikendab rohutrimmeri jõhvi kasutusiga.
- Vaadake lõikeosa kasutusjuhendist, kuidas toimub õigesti jõhvi paigaldamine ja kuidas valida jõhvi läbimõõtu.

Hooldamine

Sissejuhatus



HOIATUS: Enne seadme hooldamist lugege põhjalikult läbi ohutust puudutav peatükk.

Toote hooldamiseks ja remontimiseks on vaja erioskusi. Tagame asjatundliku remondi- ja hooldustöö. Kui edasimüüjal, kellelt toote ostsite, pole hooldustöökoda, küsige neilt teavet lähima hooldustöökoja kohta.

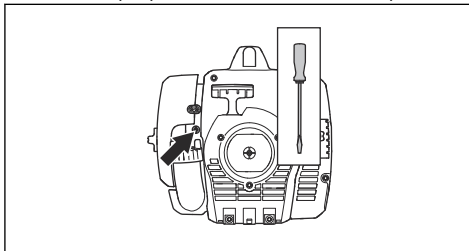
Hooldusskeem

Hooldamine	Üks kord päevas	Üks kord nädalas	Üks kord kuus
Puhastage välispinnad.	X		
Puhastage õhufilter. Vajaduse korral vahetage välja.	X		
Kontrollige gaasihoovastiku piduri ja gaasihoovastiku töötamist.	X		
Kontrollige seiskamislülitit.	X		
Kontrollige kaitsmeid.	X		
Kontrollige trimmeripead.	X		
Kontrollige lukustusmutrit.	X		
Veenduge, et ei leiduks kütuselekkeid.	X		
Veenduge, et rohuter a oleks keskosaga joondatud, terav ning et selle löiketera ega keskava juures ei oleks kahjustusi.	X		
Veenduge, et löikeosa ei pöörleks tühikäigul.	X		
Määrige lahtivõetavat vart.		X	
Kontrollige käivitusnööri käepidet ja käivitusnööri.		X	
Kontrollige nurkredukti määre taset.		X	
Puhastage süüteküünl välispind. Eemaldage süüteküünal ja mõõtk elektroodide vahekaugust. Reguleerige elektroodide vahekaugust või vahetage süüteküünal välja.		X	
Puhastage jahutussüsteem.		X	
Puhastage summuti sädemepüüdur või vahetage see välja.		X	
Puhastage karburaatori välispind ja selle ümbrus.		X	
Veenduge, et kütusefiltril poleks saastet.			X
Veenduge, et kütusevoolikul poleks kahjustusi.			X
Kontrollige kõiki juhtmeid ja ühendusi.			X
Kontrollige, ega siduril, sidurivedrudel ja-trumlil pole kulumisjälgi.			X
Vahetage süüteküünal.			X

Tühikäigu pöörete arvu reguleerimine

Enne tühikäigu pöörete arvu reguleerimist veenduge, et õhufilter oleks puhas ja õhufiltri kate asuks oma kohal.

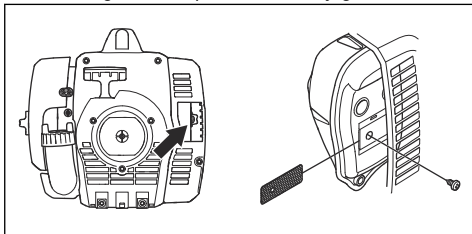
1. Keerake tühikäigu reguleerimiskruvi, mis kannab tähist „T“, päripäeva, kuni löikeosa hakkab pöörlema.



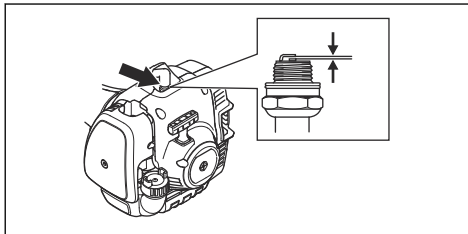
- Keerake tühikäigu reguleerimiskruvi, mis kannab tähist „T“, vastupäeva, kuni löikeosa peatub.
- Tühikäigu pöörete arv peab jääma allapoole löikeosa pöörlema hakkamise kiirusest. Tühikäigu pöörete arv on õige siis, kui mootor töötab igas asendis ühtlaselt.

Sädempüüdi hooldamine

- Puhastage sädemepüüdur terasharjaga.



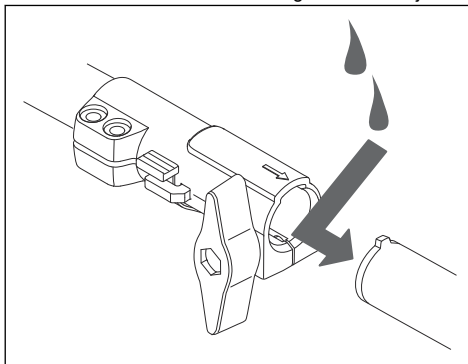
- Veenduge, et õhufilter oleks puhas.
- Puhastage määratud süüteküünal. Veenduge, et elektroodide vahe oleks õige. Vt jaotist *Tehnilised andmed lk 178*.



- Vajaduse korral asendage süüteküünal.

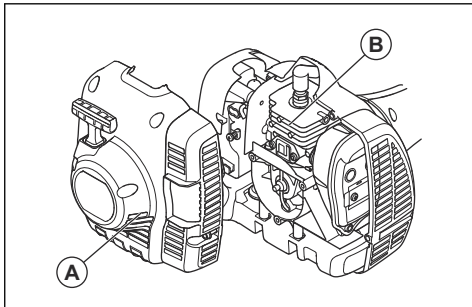
Lahtivõetava varre määrimine

- Kandke määret veovõlli otsale iga 30 töötunni järel.



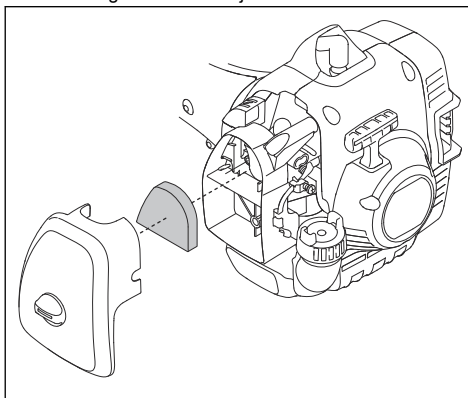
Jahutussüsteemi puhastamine

- Puhastage starteril olevat õhuvõtuava (A) ja silindril olevaid jahutusribisid (B) harjaga.



Õhufiltri puhastamine

- Eemaldage õhufiltri kate ja õhufilter.



- Puhastage õhufilter sooja seebiveega. Enne tagasi paigaldamist veenduge, et õhufilter oleks kuiv.

Süüteküünla kontrollimine



ETTEVAATUST: Kasutage soovitatud tüüpi süüteküünalt. Veenduge, et asendustoodete oleks sama mis tootja tarnitud osa. Vale süüteküünal võib toodet kahjustada. Veenduge, et süüteküünal on raadiohäirete kaitse. Lisateabe saamiseks võtke ühendust hooldusesindajaga.

- Kontrollige süüteküünalt, kui:
 - mootor töötab vähese võimsusega;
 - mootori käivitamine on raskendatud;
 - mootor ei tööta tühikäigul õigesti.
- Kui mootori käivitamine või töötamine on raskendatud, kontrollige, kas süüteküünal leidub võõraineid. Süüteküünla elektroodidele võõrainete kogunemise ohu vähendamiseks:
 - veenduge, et tühikäigu pöörete arv oleks õigesti reguleeritud;
 - veenduge, et kütusesegu oleks õige;

3. Kui õhufilter on puhastamiseks liiga määrdunud, asendage see. Kahjustatud õhufilter tuleb alati välja vahetada.
4. Kui tootel on vahtplastist õhufilter, kandke sellele õhufiltri õli. Kandke õhufiltri õli ainult vahtplastist filtrile. Ärge kandke õli viidist filtrile.

Õhufiltri õli kandmine õhufiltrile

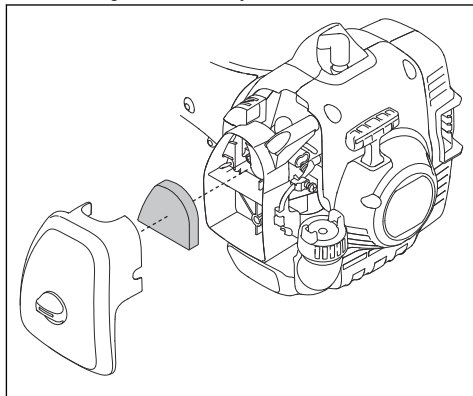


ETTEVAATUST: Kasutage vahtplastist õhufiltritel alati spetsiaalset õhufiltri õli. Ärge kasutage teist tüüpi õlisid.

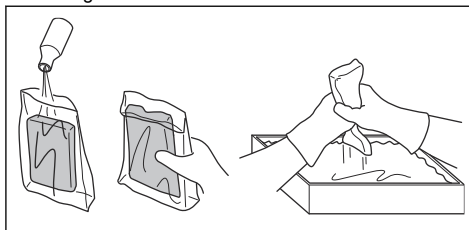


HOIATUS: Vältige õli sattumist nahale.

1. Eemaldage õhufiltri kate ja õhufilter.



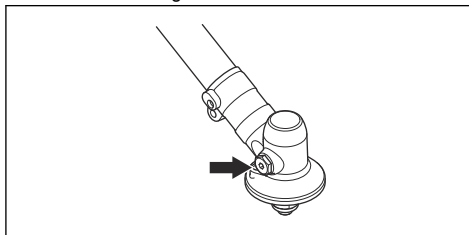
2. Asetage õhufilter kilekotti.
3. Asetage õhufiltri õli kilekotti.



4. Vajutage kilekotti, et õli kanduks ühtlaselt kogu õhufiltrile.
5. Vajutage kotis olevat õhufiltrit, et eemaldada üleliigne õhufiltri õli. Võtke õhufilter kotist välja.
6. Paigaldage õhufilter.

Nurkreduktori määrimine

- Veenduge, et nurkreduktor oleks $\frac{3}{4}$ ulatuses reduktorimäärdega täidetud.



Veotsing

Mootor ei käivitu

Kontrollige	Võimalik põhjus	Toiming
Starterikutsikad.	Starterikutsikad ei saa vabalt liikuda.	Eemaldage starterikate ja puhastage starterikatsikate ümbrus. Pöörduge abi saamiseks volitatud hoolduskeskusse.
Kütusepaak.	Vale kütusetüüp.	Tühjendage kütusepaak ja täitke õige kütusega.

Kontrollige	Võimalik põhjus	Toiming
Süüteküünal.	Süüteküünal on määrdunud või märg.	Veenduge, et süüteküünal on kuiv ja puhas.
	Süüteküünla elektrodide vahe on vale.	Puhastage süüteküünal. Veenduge, et elektrodide vahe oleks õige. Veenduge, et süüteküünlal on raadiohäirete kaitse. Teavet õige elektrodide vahe kohta vt <i>Tehnilised andmed lk 178.</i>
	Süüteküünal on lahti.	Keerake süüteküünal kinni.

Mootor käivitub, kuid seejärel seiskub

Kontrollige	Võimalik põhjus	Toiming
Kütusepaak	Vale kütusetüüp.	Tühjendage kütusepaak ja täitke õige kütusega.
Õhufilter	Õhufilter on ummistunud.	Puhastage õhufilter.

Transportimine ja hoiustamine

- Enne toote hoiukohta panekut laske sellel alati jahtuda.
- Toote ja kütuse transportimisel ning hoiustamisel veenduge, et puuduvad lekked ja aurud. Elektriseadmetest või boileritest pärit sädemed ja lahtine leek võivad põhjustada tulekahju.
- Kütuse transportimiseks ja hoiustamiseks kasutage heakskiidetud mahuteid.
- Enne transportimist või pikemaks ajaks hoiulepanemist tühjendage kütusepaak. Kõrvaldage kütus spetsiaalses jäätmejaamas.
- Transpordi ja hoiulepaneku ajaks kinnitage transportkaitse.
- Eemaldage süüteküünla kate süüteküünalt.
- Kinnitage seade transpordi ajaks. Veenduge, et see ei pääseks liikuma.
- Enne pikaks ajaks hoiulepanekut puhastage ja hooldage toode.

Tehnilised andmed

Tehnilised andmed

	122C	122LK
Mootor		
Silindrimaht, cm ³	21,7	21,7
Tühikäigu pöörete arv, p/min	2900	2900
Soovituslik suurim pöörete arv, p/min	7200	9100
Väljuva võlli pöörlemiskiirus, p/m	7200	6232
Võimsus / mootori max võimsus ISO 8893 järgi, kW/hj @ p/min	0,6/0,8 @ 7800	0,6/0,8 @ 7800

	122C	122LK
Katalüsaatoriga summuti	Jah	Jah
Seadistatavate pööretega süütesüsteem	Ei	Ei
Süütesüsteem		
Süüteküünal	HQT-4 672201	HQT-4 672201
Elektroodide vahe, mm	0,5	0,5
Kütusesüsteem		
Kütusepaagi maht, l/cm ³	0,3/300	0,3/300
Mass		
Seadme kaal ilma kütuse, lõikeosa ja kaitsekatteta, kg	4,4	4,8
Müraemissioon ²⁵		
Müravõimsustase, mõõdetud, dB(A)	102	104
Müravõimsustase, garanteeritud (L _{WA}), dB(A)	104	108
Müratasemed ²⁶		
Ekvivalentne helirõhutase kasutaja kõrva juures, mõõdetud EN/ISO 11806 ja ISO 22868 järgi, dB(A):	88	90
Vibratsioonitase ²⁷		
Vasaku käepideme vibratsioon (a _{hv, eq}) trimmeripea kasutamisel, m/s ²	5,0	3,6
Parema käepideme vibratsioon (a _{hv, eq}) trimmeripea kasutamisel, m/s ²	3,6	3,5

Lisavarustus

Tarvikud

122C		
Heakskõidetud tarvikud	Tüüp	Lõikeosa kaitse
Keermevars	3/8 R	–

²⁵ Müraemissioon ümbritsevasse keskkonda, mõõdetud helivõimsuse tasemena (L_{WA}) vastavalt EÜ direktiivile 2000/14/EÜ. Toote antud müratase mõõdeti enim müra tekitava originaalsaagimisseadme kasutamisel. Eri-nevus garanteeritud ja mõõdetud helivõimsustaseme vahel seisneb selles, et direktiivi 2000/14/EÜ alusel hõlmab garanteeritud helivõimsustase ka mõõtmistulemuste dispersiooni ja kõrvalekaldeid sama mudeli erinevate toodete vahel.

²⁶ Esitatud andmetel on seadme helirõhutase ekvivalendil tüüpiline statistiline dispersioon (standardhälve) 1 dB(A).

²⁷ Ekvivalentse vibratsioonitaseme kohta toodud andmete tüüpiline statistiline dispersioon (standardhälve) on 1 m/s².

Trimmeripea	T25 (Ø 2,0–2,4 mm nõör)	574 47 95-01
	T25C (Ø 2,0–2,7 mm nõör)	
	R25 (Ø 2,0–2,4 mm nõör)	
122LK		
Heakskidatud tarvikud	Tüüp	Lõikeosa kaitse
Keermevars	M10	–
Trimmeripea	T25 (Ø 2,0–2,4 mm nõör)	574 19 87-01
	R25 (Ø 2,0–2,4 mm nõör)	

Alltoodud mudelitele soovitatakse järgmisi lisatarvikuid.

Heakskidatud lisaseadmed	Tüüp	Järgmistele mudelitele
Harjakomplekt	SR600-2	122LK
Hekilõikurseade	HA200	122LK
Hekilõikurseade	HA860	122LK
Ääretimmerikomplekt	ECA850, ESA860	122LK
Sae kinnituskoht	PA1100	122LK
Pikenduseseade	EX780	122LK
Kultivaatorseade	CA230	122LK
Puhurseade	BA101	122LK
Harjaseade	BR600	122LK
Samblaemaldusseade	DT600	122LK

Vastavusdeklaratsioon

EÜ vastavusdeklaratsioon

Husqvarna AB, SE-561 82 Huskvarna, Rootsi, tel: +46
3614 6500, kinnitab ainuvastutusel, et toode:

Kirjeldus	Bensini mootoriga murutrimmer/võsalõikur
Kaubamärk	Husqvarna
Tüüp/mudel	122C, 122LK
Identifitseerimine	Seerianumber alates aastast 2022

vastab täielikult järgmistele EÜ direktiividele ja määrustele:

Määrus	Kirjeldus
2006/42/EÜ	„masinadirektiiv“
2014/30/EL	„elektromagnetilise ühilduvuse direktiiv“
2000/14/EÜ	„välitingimustes kasutatavate seadmete müra direktiiv“
2011/65/EL	„direktiiv teatavate ohtlike ainete kasutamise piiramise kohta“

Rakendatud on järgmisi standardeid:

EN ISO 12100:2010, EN ISO 11806-1:2011, ISO
14982:1998, CISPR 12:2007+A1:2009, EN IEC
63000:2018

RISE SMP Svensk Maskinprovning AB, Box 7035,
SE-750 07 Uppsala, Sweden, on teinud Husqvarna AB
tellimisel vabatahtliku tüübihindamise.

Sertidel on numbrid: 122C - SEC/10/2271, 122LK -
SEC/10/2272

RISE SMP Svensk Maskinprovning AB, on ka kinnitanud
vastavust nõukogu direktiivi 2000/14/EÜ lisale V.

Sertidel on numbrid: 122C - 01/164/068, 122LK -
01/164/067.

Husqvarna 2022-05-13



Claes Losdal, Husqvarna AB uurimis- ja arendusjuht

Tehnilise dokumentatsiooni eest vastutaja



Sisälllys

Johdanto.....	182	Vianmääritys.....	197
Turvallisuus.....	184	Kuljetus ja säilytys.....	197
Asentaminen.....	188	Tekniset tiedot.....	198
Käyttö.....	190	Tarvikkeet.....	199
Huolto.....	193	Vaimusten mukaisuusvakuutus.....	200

Johdanto

Tuotekuvaus

Laitte on polttomoottorilla toimiva ruohotrimmeri.

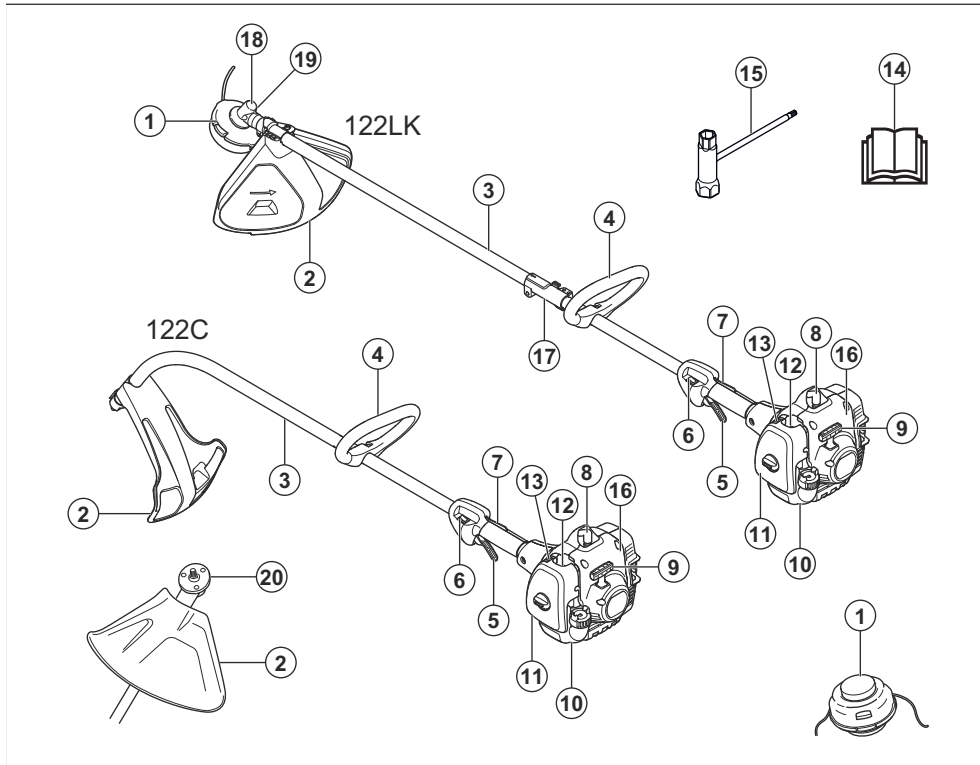
Käytön aikaista turvallisuutta ja tehokkuutta kehitetään jatkuvasti. Saat lisätietoja huoltoliikkeestä.

Käyttötarkoitus

Laitetta käytetään siimapään kanssa ruohon leikkaamiseen. Älä käytä laitetta muuhun kuin ruohontrimmaukseen ja ruohonraivaukseen.

Huomautus: Kansalliset määräykset saattavat rajoittaa tuotteen käyttöä.

Laitteen kuvaus



1. Siimapää
2. Terälaitteen suojus
3. Runkoputki
4. Kaarikahva
5. Turvaliipaisin
6. Pysäytin
7. Turvaliipaisimen varmistin
8. Sytytystulpan suojus ja sytytystulppa
9. Käynnistysköyden kahva
10. Polttoainesäiliö
11. Ilmansuodattimen kansi
12. Polttoaineen ilmauspumppu
13. Rikastimen ohjain
14. Käyttöohje
15. Yhdistelmäavain
16. Käynnistyslaitteen kotelo
17. Runkoputken liitin
18. Kulmavaihde
19. Voiteluaineen täyttöaukko, kulmavaihde
20. Jousilevy

Laitteen symbolit



VAROITUS: Tämä laite on vaarallinen. Laitteen huolimaton tai virheellinen käyttö voi aiheuttaa käyttäjälle tai sivullisille vammoja tai kuoleman. Käyttäjän ja sivullisten vammojen välttämiseksi kaikki käyttöohjekirjan turvaohjeet on luettava ja niitä on noudatettava.



Lue käyttöohje huolellisesti ja varmista, että ymmärrät sen sisällön, ennen kuin alat käyttää laitetta.



Käytä suojakypärää paikoissa, joissa päällesi voi pudota esineitä. Käytä hyväksytyjä kuulonsuojaimia. Käytä hyväksytyjä suojalaseja.



Käyttöakselin enimmäisnopeus.



Laite täyttää voimassa olevien EY-direktiivien vaatimukset.



Laite voi saada esineitä sinkoutumaan, mikä voi aiheuttaa vammoja.



Pysy vähintään 15 metrin etäisyydellä ihmisistä ja eläimistä laitteen käytön aikana.



Käytä hyväksytyjä suojakäsineitä.



Käytä kestäviä luistamattomia jalkineita.



Käytä vain joustavaa leikkuuvaijeria. Älä käytä metallisia leikkuulaitteita.



Ympäristön melupäästöt -tarra EU:n ja Yhdistyneen kuningaskunnan direktiivien ja säädösten mukaisesti sekä Uuden Etelä-Walesin "Protection of the Environment Operations (Noise Control) Regulation 2017" -asetuksen mukaisesti. Laitteen taattu äänenkehoteaso on määritelty kohdassa *Tekniset tiedot sivulla 198* ja arvokilvessä.



Polttoaineen ilmauspumppu.



Rikastin.



Tämä tuote täyttää sovellettavissa olevien UK-säädösten vaatimukset.

yyyywwxxxx

Tyyppikilvessä näkyy sarjanumero, jossa **yyyy** on valmistusvuosi ja **ww** on valmistusviikko.

Huomautus: Muita laitteen symboleita/tarroja tarvitaan muilla markkina-alueilla ilmaisemaan sertifiointivaatimuksia.

Euro V -päästöt



VAROITUS: Moottorin muokkaaminen mitätöi tuotteen EU-tyyppihyväksynnän.

Asiakastukipalvelu

Jos tarvitset lisätietoja, ota yhteyttä asiakastukipalveluun: 1-800-487-5951 tai käy sivuillamme www.husqvarna.com.

Tuotevastuu

Tuotevastuulain mukaisesti emme ole vastuussa tuotteen aiheuttamasta vaurioista, jos

- tuote on korjattu virheellisesti
- tuotteen korjaamiseen on käytetty muita kuin valmistajan omia tai sen hyväksymiä osia
- tuotteessa on muu kuin valmistajan oma tai sen hyväksymä lisävaruste
- tuotetta ei ole korjattu valtuutetussa huoltopisteessä tai hyväksytyllä asiantuntijalla.

Turvallisuus

Turvallisuusmääritelmät

Varoituksia, huomioita ja huomautuksia käytetään, kun jotakin käyttöohjeen osaa halutaan erityisesti korostaa.



VAROITUS: Tätä käytetään, jos käyttöohjeen noudattamatta jättämisestä voi seurata käyttäjän tai sivullisen vamma tai kuolema.



HUOMAUTUS: Tätä käytetään, jos käyttöohjeen noudattamatta jättämisestä voi seurata koneen, muiden materiaalien tai ympäristön vaurioituminen.

Huomautus: Tätä käytetään tietyissä tilanteissa tarvittavien lisätietojen antamiseen.

Yleiset turvaohjeet



VAROITUS: Lue seuraavat varoitusohjeet ennen koneen käyttämistä.

- Käytä laitetta oikein. Virheellinen käyttö voi aiheuttaa tapaturman tai kuoleman. Käytä laitetta vain tässä käyttöohjekirjassa esitettyihin tehtäviin. Älä käytä laitetta muihin tehtäviin.
- Noudata tämän käyttöohjekirjan ohjeita. Noudata turvallisuussymboleita ja turvaohjeita. Jos käyttäjä ei noudata ohjeita ja symboleita, seurauksena voi olla vamma, vaurio tai kuolema.
- Älä hävitä tätä käyttöohjekirjaa. Noudata laitteen asennusta, käyttöä ja kunnossapitoa koskevia ohjeita. Asenna lisälaitteet ja lisävarusteet oikein ohjeiden mukaisesti. Käytä vain hyväksytyjä lisälaitteita ja lisävarusteita.
- Älä käytä vaurioitunutta laitetta. Noudata huoltokaaviota. Tee vain sellaisia huoltotöitä, joita koskevat ohjeet löytyvät tästä käyttöohjekirjasta. Valtuutetun huoltopisteen on tehtävä kaikki muut huoltotyöt.
- Tämä käyttöohjekirja ei voi sisältää kaikkia laitteen käyttöön liittyviä tilanteita. Ole varovainen ja käytä tervettä järkeä. Älä käytä laitetta tai huolla sitä,

jos et ole varma tilanteesta. Kysy ohjeita laitteen asiantuntijalta, jälleenmyyjältä, huoltoilikkeestä tai valtuutetusta huoltopisteestä.

- Irrota sytytystulpan johto ennen laitteen asentamista, säilytykseen siirtämistä tai huoltoa.
- Älä käytä laitetta, jos sen alkuperäisiä ominaisuuksia on muutettu. Älä muuta edes osaa laitteesta ilman valmistajan lupaa. Käytä ainoastaan valmistajan hyväksymiä osia. Virheellinen huolto voi aiheuttaa tapaturman tai kuoleman.
- Älä hengitä moottorin kaasuja. Moottorin pakokaasujen pitkäaikainen hengittäminen on terveydelle vaarallista.
- Älä käynnistä laitetta sisätiloissa tai lähellä herkästi syttyvää materiaalia. Pakokaasut ovat kuumia ja voivat sisältää kipinöitä, jotka voivat aiheuttaa tulipalon. Jos ilmanvirtaus ei ole riittävä, tukehtuminen tai hiilimonoksidin hengittäminen voi aiheuttaa vamman tai kuoleman.
- Kun laitetta käytetään, moottori muodostaa sähkömagneettisen kentän. Sähkömagneettinen kenttä voi vaurioittaa lääketieteellisiä implantteja. Neuvottele lääkärin ja lääketieteellisen implantin valmistajan kanssa, ennen kuin käytät laitetta.
- Älä anna lasten käyttää laitetta. Koneita saavat käyttää vain henkilöt, jotka ovat lukeneet ohjeet.
- Muista aina valvoa laitetta käyttävää henkilöä, jonka fyysiset tai psyykkiset taidot ovat heikentyneet. Vastuullisen aikuisen on oltava aina paikalla.
- Lukitse laite paikkaan, johon lapset ja asiattomat henkilöt eivät pääse.
- Laitte voi saada esineitä sinkoutumaan ja aiheuttaa näin vammoja. Noudata turvaohjeita tapaturmien tai kuoleman vaaran ehkäisemiseksi.
- Älä poistu laitteen luota, kun moottori on käynnissä.
- Laitteen käyttäjä on vastuussa, jos tapahtuu onnettomuus.
- Varmista ennen laitteen käyttämistä, ettei osissa ole vaurioita.
- Varmista ennen laitteen käyttämistä, että olet vähintään 15 m:n etäisyydellä muista ihmisistä tai eläimistä. Varmista, että lähistöllä olevat henkilöt tietävät sinun aikovan käyttää laitetta.
- Noudata kansallisia ja paikallisia lakeja. Ne voivat estää laitteen käytön tai rajoittaa sitä joissakin olosuhteissa.

- Älä käytä laitetta ollessasi väsynyt tai jos olet alkoholin, huumausainien aineiden tai lääkkeiden vaikutuksen alaisena. Ne voivat vaikuttaa näkökykyyn, vireyteen, harkintakykyyn tai kehon hallintaan.

Turvallisuusohjeet asentamista varten



VAROITUS: Lue seuraavat varoitusohjeet ennen laitteen käyttämistä.

- Irrota sytytystulpan suojus sytytystulpasta ennen laitteen asentamista.
- Käytä hyväksytyjä suojakäsineitä.
- Varmista ennen moottorin käynnistämistä, että olet asentanut kotelon ja runkoputken oikein.

Turvallisuusohjeet käyttöä varten

- Varmista ennen laitteen käyttämistä, että se on valmiiksi koottu.
- Siirrä laite ennen käynnistämistä 3 metrin päähän paikasta, jossa täytit polttoainesäiliön. Aseta laite tasaiselle alustalle. Varmista, ettei terälaitte pääse osumaan maahan tai mihinkään esineeseen.
- Laite voi saada esineitä sinkoutumaan, mikä voi vahingoittaa silmiä. Käytä aina hyväksytyjä silmäsuojaimia, kun käytät laitetta.
- Ole varovainen laitetta käyttäessäsi, sillä lapsi voi tulla laitteen lähelle huomaamattasi.
- Älä käytä laitetta, jos työskentelyalueella on ihmisiä. Sammuta laite, jos työskentelyalueelle tulee ihminen.
- Varmista, että laite on aina hallinnassasi.
- Älä käytä laitetta, jos et voi saada apua onnettomuuden sattuessa. Varmista aina ennen käytön aloittamista, että muut tietävät sinun käyttävän laitetta.
- Älä käänny laitteen kanssa, ennen kuin olet varmistanut, ettei turva-alueella ole ihmisiä tai eläimiä.
- Poista kaikki ylimääräiset materiaalit työskentelyalueelta ennen aloittamista. Jos terälaitte osuu esineeseen, esine voi sinkoutua ja aiheuttaa vaurion tai vaurion. Terälaitteen ympärille voi kiertyä ei-toivottua materiaalia, mikä voi aiheuttaa vaurion.
- Älä käytä laitetta huonolla säällä (sumu, sade, kova tuuli, ukkonen tai muut sääolosuhteet). Huono sää voi aiheuttaa vaaratilanteita (kuten liukastumisvaaran).

- Varmista, että pystyt liikkumaan vapaasti ja työskentelemään tukevassa asennossa.



- Varmista, ettei voi kaatua, kun käytät laitetta. Älä kallistu, kun käytät laitetta.
- Pidä laitetta aina molemmin käsin. Pidä laitetta kehon oikealla puolella.



- Käytä laitetta siten, että terälaitte on vyötärön alapuolella.
- Jos rikastinvipu on rikastusasennossa, kun moottori käynnistyy, terälaitte alkaa pyöriä.
- Älä koske kulmavaihteeseen moottorin sammuttamisen jälkeen. Kulmavaihte on kuuma moottorin sammuttua. Kuumat kohdat voivat aiheuttaa vamman.
- Sammuta moottori ennen laitteen siirtämistä.
- Älä laske laitetta maahan, kun moottori on käynnissä.
- Ennen kuin poistat ei-toivotut materiaalit laitteesta, sammuta moottori ja odota, että terälaitte pysähtyy. Anna terälaitteen pysähtyä ennen leikkukujatteen poistamista.

Henkilökohtainen suojavarustus



VAROITUS: Lue seuraavat varoitusohjeet ennen laitteen käyttämistä.

- Käytä aina hyväksytyjä henkilökohtaisia suojavarusteita, kun käytät laitetta. Henkilökohtaiset suojavarusteet eivät poista tapaturmien vaaraa, mutta ne lieventävät vammoja onnettomuustilanteessa. Anna jälleenmyyjän auttaa oikeiden varusteiden valinnassa.
- Käytä suojakypärää paikoissa, joissa putoilevat esineet aiheuttavat vaaraa.

- Käytä riittävän tehokkaasti vaimentavia hyväksytyjä kuulonsuojaimia. Pitkäaikainen altistuminen melulle saattaa aiheuttaa pysyviä kuulovammoja.
- Käytä hyväksytyjä silmäsuojaimia. Visiiriä käytettäessä on käytettävä myös hyväksytyjä suojalaseja. Hyväksytyillä suojalaseilla tarkoitetaan laseja, jotka täyttävät standardin ANSI Z87.1 (Yhdysvallat) tai EN 166 (EU-maat) vaatimukset.
- Käytä kasvojen suojaamiseen visiiriä. Visiiri ei tarjoa riittävää suojaa silmille.



- Käytä käsineitä tarvittaessa esimerkiksi terävarustuksen asennuksen, tarkastuksen ja puhdistuksen aikana.
- Käytä luistamattomia ja tukevia jalkineita.
- Käytä lujasta materiaalista valmistettuja vaatteita. Käytä aina vahvakankaisia pitkiä housuja ja pitkähihaista takkia. Vältä liian löysiä vaatteita, jotka tarttuvat helposti risuihin ja oksiiin. Älä pidä koruja, shortseja tai sandaaleja. Älä myöskään kulje paljain jaloin. Sido hiukset turvallisesti olkapäiden yläpuolelle.



- Pidä ensiaputarvikkeet helposti saatavilla.



Tuotteen turvalaitteet

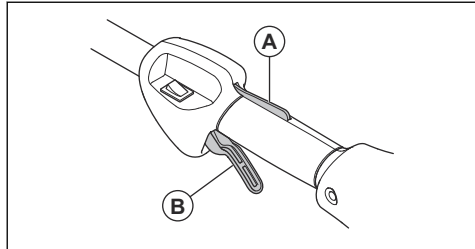


VAROITUS: Lue seuraavat varoitusohjeet ennen koneen käyttämistä.

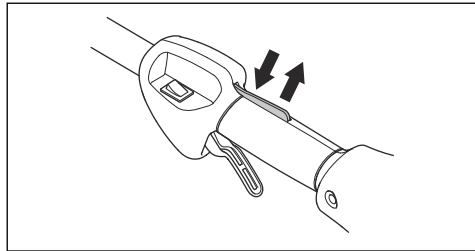
- Älä käytä konetta, jos jokin sen turvalaitteista on rikki.
- Tarkasta turvalaitteet säännöllisesti. Katso *Huoltokaavio sivulla 194*.
- Jos turvalaitteissa on vikoja, ota yhteyttä Husqvarna-huoltoliikkeeseen.

Turvalliipaisimen varmistimen tarkistaminen

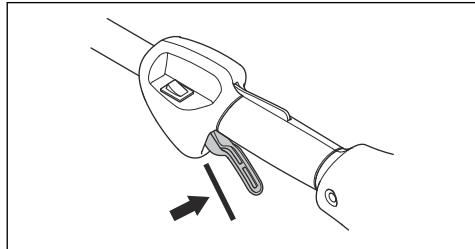
1. Tarkista, että turvalliipaisimen varmistin (A) ja turvalliipaisin (B) liikkuvat vapaasti ja että palautusjousi toimii oikein.



2. Paina turvalliipaisimen varmistin alas ja varmista, että se palautuu vapautettaessa lähtöasentoonsa.



3. Tarkista, että turvalliipaisin on lukittu joutokäyntiasentoon, kun turvalliipaisimen varmistin vapautetaan.



4. Käynnistä laite ja käytä sitä täydellä kaasulla.
5. Vapauta turvalliipaisin ja tarkista, että terät pysähtyvät ja jäävät paikoilleen.

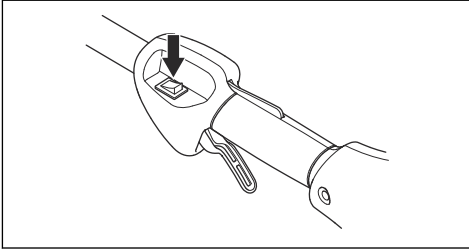


VAROITUS: Jos terät liikkuvat kaasuliipaisimen ollessa joutokäyntiasennossa, on kaasuttimen joutokäyntiä säädettävä. Katso *Joutokäyntinopeuden säätö sivulla 194*.

Pysäyttimen tarkistaminen

1. Käynnistä moottori.

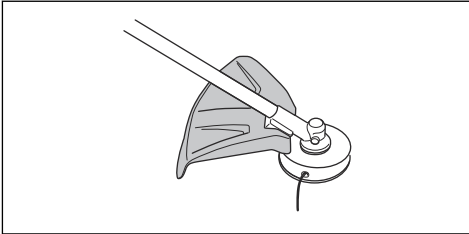
2. Siirrä pysäytin STOP-asentoon ja varmista, että moottori sammuu.



Terälaitteen suojuksen tarkistaminen

Terälaitteen suojus pysäyttää käyttäjää kohti sinkoutuvat esineet. Se ehkäisee myös terälaitteen koskettamisesta syntyviä vammoja.

1. Pysäytä moottori.
2. Tarkista silmämääräisesti, onko vaurioita, kuten halkeamia.



3. Vaihda terälaitteen suojus, jos se on vaurioitunut.

Äänenvaimennin

- Älä käytä moottoria, jos äänenvaimennin on vaurioitunut. Vaurioitunut äänenvaimennin nostaa äänitasoa ja lisää tulipalon vaaraa. Pidä palonsammutin lähistöllä.
- Tarkista säännöllisesti, että äänenvaimennin on kiinni laitteessa.
- Älä kosketa moottoria tai äänenvaimenninta, kun moottori on käynnissä. Älä kosketa moottoria tai äänenvaimenninta hetken moottorin sammuttamisen jälkeen. Kuumat pinnat voivat aiheuttaa vammoja.
- Kuuma äänenvaimennin voi aiheuttaa tulipalon. Ole varovainen, jos käytät laitetta palavien nesteiden tai kaasujen läheisyydessä.
- Älä kosketa äänenvaimentimen osia, jos äänenvaimennin on vaurioitunut. Osat voivat sisältää syöpää aiheuttavia kemikaaleja.

Terälaite



VAROITUS: Lue seuraavat varoitusohjeet ennen laitteen käyttämistä.

- Huolla säännöllisesti. Anna valtuutetun huoltopisteen tarkastaa terälaite säännöllisesti säätöjen tai korjausten varalta.
 - Terälaitteen suorituskyky paranee.
 - Terälaitteen käyttöikä pitenee.
 - Onnettomuusvaara pienenee.
- Käytä vain hyväksytyä terälaitteen suojusta. Katso kohta *Tarvikkeet sivulla 199*.
- Älä käytä vaurioitunutta terälaitetta.

Polttoaineturvallisuus



VAROITUS: Lue seuraavat varoitusohjeet ennen koneen käyttämistä.

- Älä sekoita polttoainetta sisäiloissa tai lämmönlähteen läheisyydessä.
- Älä käynnistä laitetta, jos sen päällä on polttoainetta tai moottoriöljyä. Poista ylimääräinen polttoaine tai öljy ja anna laitteen kuivua. Poista ylimääräinen polttoaine laitteesta.
- Jos olet läikyttänyt polttoainetta vaatteillesi, vaihda vaatteet heti.
- Varo, ettei iholle pääse polttoainetta, sillä se voi aiheuttaa vamman. Jos ihollesi joutuu polttoainetta, pese se pois vedellä ja saippualla.
- Älä käynnistä moottoria, jos läikytät öljyä tai polttoainetta laitteen päälle tai yles.
- Älä käynnistä laitetta, jos moottori vuotaa. Tarkista moottori säännöllisesti vuotojen varalta.
- Käsittele polttoainetta varoen. Polttoaine on syttyvää ja kaasut ovat räjähdysherkkiä, mikä voi aiheuttaa tapaturman tai kuoleman.
- Älä hengitä polttoainehöyryjä, sillä ne voivat aiheuttaa vamman. Varmista, että ilmanvirtaus on riittävä.
- Älä tupakoi polttoaineen tai moottorin lähistöllä.
- Älä sijoita lämpimiä esineitä polttoaineen tai moottorin lähelle.
- Älä lisää polttoainetta, kun moottori on käynnissä.
- Varmista ennen polttoaineen lisäämistä, että moottori on jäähtynyt.
- Ennen kuin lisäät polttoainetta, avaa polttoainesäiliön korkki hitaasti ja vapauta paine varovasti.
- Varmista, että tilassa on riittävä ilmanvaihto, kun lisäät tai sekoitat polttoainetta (bensini ja kaksitahtiöljy) tai kun tyhjennät polttoainesäiliötä.
- Polttoaine ja polttoainehöyryt ovat erittäin tulenarkoja ja voivat hengitettynä ja ihokosketuksessa aiheuttaa vakavia vahinkoja. Käsittele siksi polttoainetta varovasti ja huolehdi polttoaineen käsittelypaikan riittävästä ilmanvaihdosta.
- Kiristä polttoainesäiliön korkki varovasti tulipalon vaaran vuoksi.
- Siirrä laite ennen käynnistämistä vähintään 3 metrin päähän paikasta, jossa täytit säiliön.

- Älä lisää säiliöön liikaa polttoainetta.
- Varmista, ettei polttoainetta pääse vuotamaan, kun liikutat laitetta tai polttoainekannua.
- Älä sijoita laitetta tai polttoainekannua paikkaan, jossa on avotulta, kipinöitä tai sytytysliekkejä. Varmista, ettei säilytyspaikassa ole avotulta.
- Käytä vain hyväksytyjä kannuja polttoaineen siirtämiseen tai säilyttämiseen.
- Tyhjennä polttoainesäiliö ennen pitkäaikaista säilytystä. Noudata paikallista polttoaineen hävittämistä koskevaa lakia.
- Puhdista laite ennen pitkäaikaista säilytystä.
- Irrota sytytystulpan suojuksen suojus ennen laitteen siirtämistä säilytykseen moottorin tahattoman käynnistymisen estämiseksi.

Turvaohjeet huoltoa varten



VAROITUS: Lue seuraavat varoitusohjeet ennen laitteen käyttämistä.

- Sammuta moottori ja varmista, että terälaitte pysähtyy, ja anna laitteen jäähtyä ennen huoltoa.
- Irrota sytytystulpan suojuksen suojus ennen huoltoa.

- Moottorin pakokaasu sisältävät hiilimonoksidia, joka on hajuton, myrkyllinen ja erittäin vaarallinen kaasu, joka voi aiheuttaa kuoleman. Älä käytä laitetta sisällä tai suljetussa tilassa.
- Moottorin pakokaasu on kuumaa ja voi sisältää kipinöitä. Älä käytä laitetta sisätiloissa tai lähellä herkästi syttyvää materiaalia.
- Lisävarusteet ja muut kuin valmistajan hyväksymät muutokset laitteeseen voivat aiheuttaa vakavan vamman tai kuoleman. Älä tee laitteeseen muutoksia. Käytä aina alkuperäisiä lisävarusteita.
- Jos laitetta ei ole huollettu asianmukaisesti ja säännöllisesti, tapaturmien ja laitteen vaurioitumisen vaara kasvaa.
- Huolla laite ainoastaan käyttöohjekirjassa annettujen ohjeiden mukaisesti. Anna valtuutetun Husqvarna-huoltoliikkeen tehdä kaikki muut huoltotyöt.
- Anna valtuutetun Husqvarna-huoltoliikkeen huoltaa laite säännöllisesti.
- Vaihda vaurioituneet, kuluneet tai rikkoutuneet osat.
- Katso terälaitteen ohjeista trimmerin siiman asennusohjeet ja oikean siimakoon valinta.
- Pidä terän leikkuhuampaat hyvin ja oikein teroitettuina. Noudata suosituksiamme. Tutustu myös teräpakkauksen ohjeisiin.

Asentaminen

Johdanto



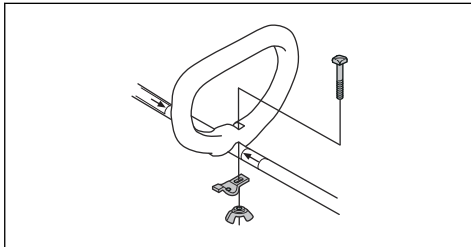
VAROITUS: Ennen kuin asennat laitteen, lue turvallisuutta käsittelevä luku niin, että ymmärrät sen sisällön.



VAROITUS: Irrota sytytystulpan johto sytytystulpastasta ennen laitteen asentamista.

Kaarikahvan kiinnitys

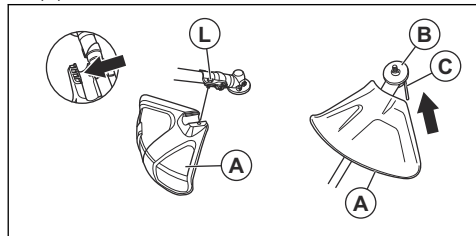
1. Kiinnitä kaarikahva runkoputkeen kuvan mukaisesti ja kiristä.



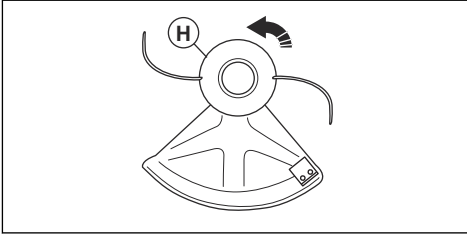
2. Varmista, että kaarikahva kiinnitetään runkoputkeen merkittyjen nuolien väliin.

Terälaitteen suojuksen ja siimapään kiinnitys (suora runkoputki)

1. Kiinnitä terälaitteen suojuksen (A) runkoputkeen pultilla (L).
2. Kiinnitä jousilevy (B) käyttöakselille.
3. Käännä käyttöakselia, kunnes jousilevyn reikä on kulmavaihdekotelon reiän kohdalla.
4. Lukitse runkoputki työntämällä pieni ruuvimeisseli (C) reikään.

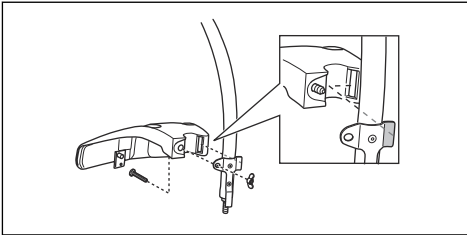


5. Kiristä siimapää (H) vaihdelaatikkoon kiertämällä sitä vastapäivään. (Vasenkäätiset kierteet.)

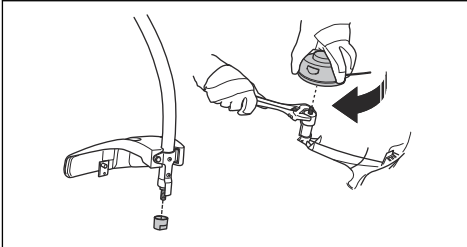


Terälaitteen suojuksen ja siimapään kiinnitys (kaareva runkoputki)

1. Kiinnitä suojus. Kiristä mutteri.



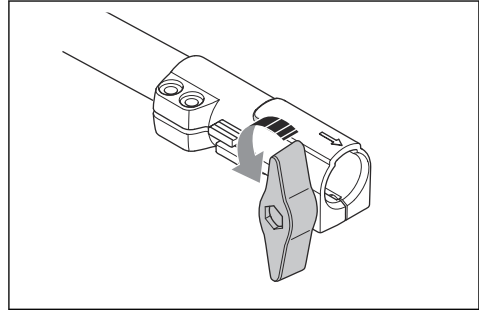
2. Kiinnitä pölysuojus akselille.



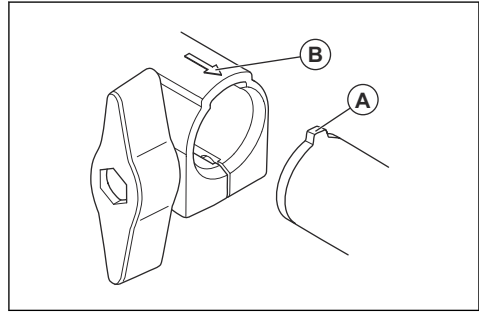
3. Pidä pölysuojusta paikoillaan säädettävällä avaimella, jotta runkoputki ei pääse pyörimään.
4. Kiinnitä siimapää runkoputkeen. Kierrä siimapäätä myötäpäivään.

Kaksiosaisen runkoputken asennus

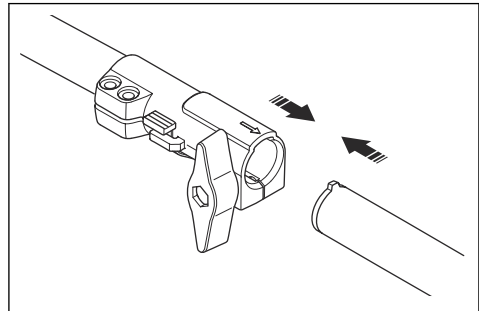
1. Avaa liitäntä kiertämällä nuppia.



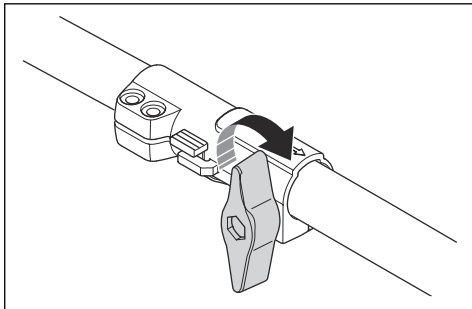
2. Kohdista kieleke (A) liitäntän nuolen (B) kohdalle.



3. Laita runkoputki liitäntään niin, että se napsahtaa paikalleen.

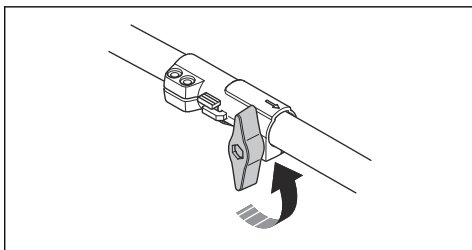


4. Kiristä nappi kokonaan.



Kaksiosaisen runkoputken irrotus

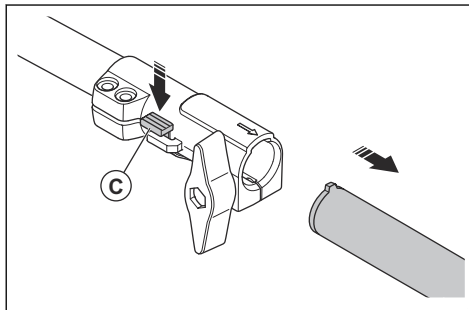
1. Avaa liitäntä kiertämällä nappia vähintään kolme kierrosta.



2. Pidä painiketta (C) painettuna.

3. Pidä tiukasti kiinni runkoputken päästä, johon moottori on kiinnitetty.

4. Vedä lisälaite irti liitännästä.



Käyttö

Johdanto



VAROITUS: Lue turvallisuutta käsittelevä luku niin, että ymmärrät sen sisällön, ennen laitteen käyttämistä.

Polttoaine

Tässä laitteessa on kaksitahtimoottori.



HUOMAUTUS: Vääräntyyppinen polttoaine voi vaurioittaa moottoria. Käytä bensiiniä ja kaksitahtiöljyn seosta.

Valmis polttoainesekoitus

- Käytä valmiiksi sekoitettua Husqvarna-alkylaattibensiiniä, sillä se takaa parhaan suorituskyvyn ja pidentää moottorin käyttöikää. Tällainen polttoaine sisältää tavallista polttoainetta vähemmän haitallisia kemikaaleja, mikä vähentää haitallisia pakokaasuja. Tällaisesta polttoaineesta jää vähemmän karstaa polton jälkeen, jolloin moottorin osat pysyvät puhtaampina.

Polttoaineen sekoittaminen

Bensiini

- Käytä korkealaatuista lyijytöntä bensiiniä, jossa on enintään 10 % etanolia-



HUOMAUTUS: Älä käytä bensiiniä, jonka oktaaniluku on pienempi kuin 90 RON / 87 AKI. Jos oktaaniluku on pienempi, moottori voi alkaa nakuttaa, mikä vaurioittaa moottoria.

Kaksitahtiöljy

- Käytä Husqvarna-kaksitahtiöljyä, sillä se takaa parhaat tulokset ja suorituskyvyn.
- Jos Husqvarna-kaksitahtiöljyä ei ole saatavilla, voidaan käyttää jotakin muuta ilmajäähdytteisille moottoreille tarkoitettua korkealaatuista kaksitahtiöljyä. Kysy huoltoilikkeestä ohjeita oikean öljyn valintaan.



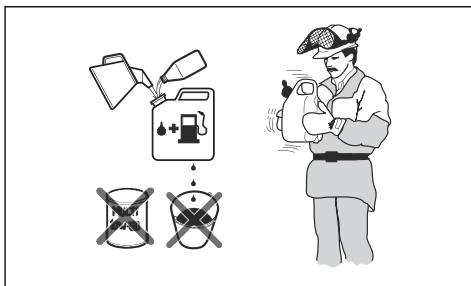
HUOMAUTUS: Älä käytä vesijäähdytteisille ulkolaitamoottoreille tarkoitettua kaksitahtiöljyä. Älä käytä nelitahtimoottoreille tarkoitettua öljyä.

Bensiinin ja kaksitahtiöljyn sekoitus

Bensiini, litraa	Kaksitahtiöljy, litraa
	2 % (50:1)
5	0,10
10	0,20
15	0,30
20	0,40



HUOMAUTUS: Kun polttoainetta sekoitetaan pieniä määriä, pienikin mittausvirhe voi vaikuttaa sekoitussuhteeseen suuresti. Mittaa öljymäärä huolellisesti ja varmista, että seoksen suhde on oikea.



1. Lisää puhtaaseen polttoainesäiliöön puolet bensiinin kokonaismäärästä.
2. Lisää koko öljymäärä.
3. Ravista polttoaineseosta.
4. Lisää loput bensiinistä säiliöön.
5. Ravista polttoaineseosta huolellisesti.



HUOMAUTUS: Sekoita korkeintaan yhden kuukauden polttoaineet kerrallaan.

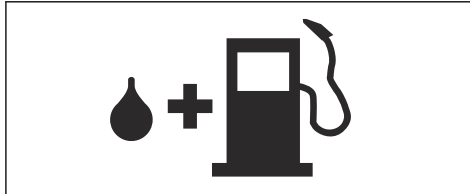
Polttoainesäiliön täyttö



VAROITUS: Noudata seuraavia turvallisuustoimenpiteitä.

1. Sammuta moottori ja anna sen jäähtyä.

2. Pyyhi polttoainesäiliön korkin ympäristö puhtaaksi.



3. Ravista kannua ja varmista, että polttoaine on sekoittunut kokonaan.
4. Vapauta polttoainesäiliöstä painetta avaamalla polttoainesäiliön korkki hitaasti.
5. Täytä polttoainesäiliö.



HUOMAUTUS: Varmista, että polttoainesäiliössä ei ole liikaa polttoainetta. Polttoaine laajenee lämmitessään.

6. Kiristä polttoainesäiliön korkki tiukasti.
7. Puhdista polttoaineroisheet laitteen päältä ja ympäriltä.
8. Siirrä laite vähintään 3 metrin päähän polttoaineen lisäämis- ja säilytyspaikalta ennen käynnistämistä.

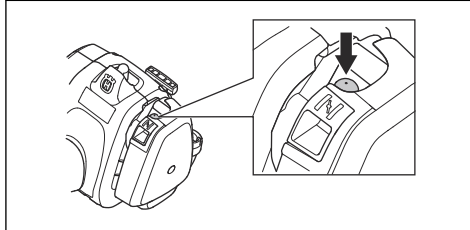
Huomautus: Laitteen polttoainesäiliön paikka kerrotaan kohdassa *Laitteen kuvaus sivulla 182*.

Tarkistus ennen aloitusta

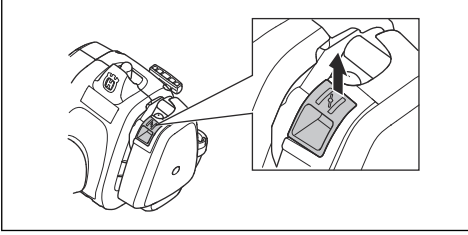
1. Varmista, ettei laitteesta puutu osia eivätkä osat ole löysiä tai kuluneita.
2. Varmista, että kaikki mutterit, ruuvit ja pultit on kiristetty.
3. Varmista, ettei siimapää ole vaurioitunut.
4. Varmista, ettei ilmansuodatin ole tukossa.
5. Varmista, että laitteen turvalaitteissa ei ole vikoja.
6. Varmista, ettei laitteessa ole polttoainevuotoja.

Kylmän moottorin käynnistys

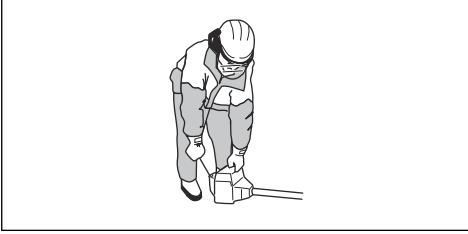
1. Paina polttoaineen ilmauspumpua 10 kertaa.



2. Aseta rikastin rikastusasentoon.



3. Paina laitteen runkoa maata vasten vasemmalla kädellä.



HUOMAUTUS: Älä astu laitteen päälle.

4. Vedä käynnistysnarun kahvaa hitaasti oikealla kädelläsi, kunnes tunnet vastusta. Vedä sitten käynnistysnarun kahvasta nopeasti ja voimakkaasti, kunnes moottori käynnistyy tai yrittää käynnistyä.



VAROITUS: Älä kiedo käynnistysnarua kätesi ympärille.

5. Aseta rikastinvipu käyttöasentoon.
6. Jos moottori käynnistyy, paina turvaliipaisinta kevyesti ja anna moottorin käydä 60 sekuntia, jotta se lämpenee. Jos moottori ei käynnisty, vedä käynnistysnarun kahvasta, kunnes moottori käynnistyy. Paina sitten turvaliipaisinta kevyesti ja anna moottorin käydä 60 sekuntia, jotta se lämpenee.



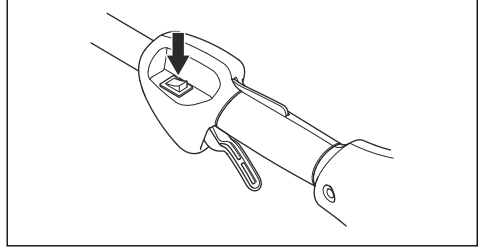
HUOMAUTUS: Älä vedä käynnistysnarua loppuun asti, äläkä päästä irti käynnistysnarun kahvasta. Se voi vaurioittaa laitetta. Vapauta käynnistysnaru hitaasti.

Lämpimän moottorin käynnistys

1. Paina polttoaineen ilmauspumpua 10 kertaa.
2. Vedä käynnistysnarusta, kunnes moottori käynnistyy.

Laitteen pysäyttäminen

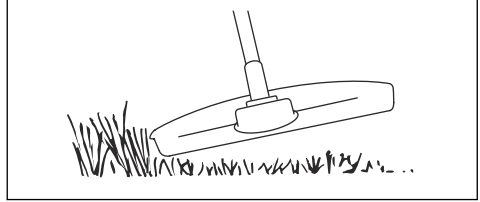
- Sammuta moottori painamalla pysäytintä.



Huomautus: Pysäytin palaa automaattisesti lähtöasentonsa.

Ruohon siistiminen

1. Pidä siimapää aivan maanpinnan yläpuolella ja kallista sitä. Älä paina siimaa ruohon.



2. Lyhennä siiman pituutta noin 10–12 cm (4–4,75").
3. Pienennä moottorin käyntinopeutta, jotta kasvit eivät vahingoitu.
4. Käytä 80 % täydestä kaasusta, kun leikkaat ruohoa esineiden läheltä.



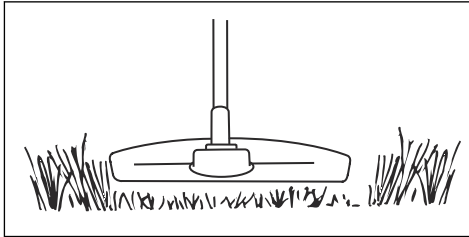
Ruohon raivaaminen ruohoterällä

1. Ruohoteriä ja ruohoveitsiä ei saa käyttää puumaisten runkojen raivaukseen.
2. Ruohoteriää käytetään kaiken tyypisen pitkän tai paksun ruohon raivaukseen.
3. Ruoho niitetään edestakaisella sivuttaisliikkeellä, jossa liike oikealta vasemmalle on raivausliike ja liike vasemmalta oikealle paluuliike. Käytä leikkaamiseen terän vasenta puolta (kello 8:n ja 12:n välinen teräsektori).

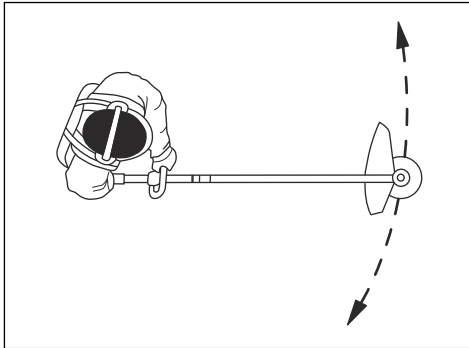
- Jos terää kallistetaan raivattaessa hieman vasemmalle, ruoho jää aumaksi, josta se on helppo kerätä pois esim. haravoitaessa.
- Pyri työskentelemään tasaisella rytmillä. Seiso tukevassa haara-asennossa. Siirry paluuliikkeen jälkeen eteenpäin ja asetu taas tukevaan asentoon.
- Anna tukikupin nojata kevyesti maata vasten. Se on tarkoitettu suojaamaan terää maakosketukselta.
- Vähennä vaaraa, että raivattava materiaali kiertyy terän ympärille, työskentelemällä aina täydellä kaasulla ja väistämällä raivattua materiaalia paluuliikkeen aikana.
- Pysäytä moottori, irrota valjaat ja aseta raivaussaha maahan, ennen kuin alat kasata raivattua materiaalia.

Ruohon leikkaaminen

- Varmista, että siima on maanpinnan suuntaisena, kun leikkaat ruohoa.



- Älä paina siimapäätä maahan. Se voi vaurioittaa laitetta.
- Liikuta laitetta puolelta toiselle, kun leikkaat ruohoa. Käytä laitetta täydellä kaasulla.



Ruohon lakaiseminen

Leikatun ruohon voi poistaa alueelta pyörivän trimmerin siiman aiheuttaman ilmavirran avulla.

- Pidä siimapäätä ja siimaa maan suuntaisesti maan yläpuolella.
- Anna täyskaasu.
- Lakaise ruoho liikuttamalla siimapäätä puolelta toiselle.



VAROITUS: Puhdista siimapään kansi aina, kun asennat uuden siiman, epätasapainon ja kahvojen tärinän estämiseksi. Tarkista myös muut siimapään osat ja puhdista tarvittaessa.

Siimapää

- Varmista, että kierrät siiman tiukasti ja tasaisesti puolan ympärille tärinän vähentämiseksi.
- Käytä vain hyväksytyjä siimapäitä ja siimoja. Katso kohta *Tarvikkeet sivulla 199*.
- Käytä oikeanpituista siimaa. Pitkä siima käyttää enemmän moottorin tehoa kuin lyhyt siima.
- Varmista, että terälaitteen suojuksessa oleva leikkain on ehjä.
- Liota siimaa vedessä kahden vuorokauden ajan, ennen kuin kiinnität sen laitteeseen. Se pidentää siiman käyttöikää.
- Katso terälaitteen ohjeista siiman kelausohjeet ja oikean siimakoon valinta.

Huolto

Johdanto



VAROITUS: Ennen minkäänlaisten huoltotöiden aloittamista sinun on luettava

turvallisuutta käsittelevä luku niin, että ymmärrät sen sisällön.

Kaikkiin tuotteelle tehtäviin huolto- ja korjaustöihin tarvitaan erityiskoulutus. Takaamme, että tuotteemme huolletaan ja korjataan ammattimaisesti. Jos

jälleenmyyjäsi ei ole huoltoliike, pyydä jälleenmyyjää neuvomaan lähin huoltoliike.

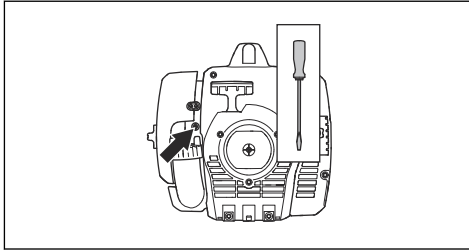
Huoltokaavio

Huolto	Päivittäin	Viikoittain	Kuukausittain
Puhdista ulkopinta.	X		
Puhdista ilmansuodatin. Vaihda tarvittaessa.	X		
Tarkista kaasuliipaisimen varmistimen ja kaasuliipaisimen toiminta.	X		
Tarkista pysäytyskytkin.	X		
Tarkista suojukset.	X		
Tarkista siimapää.	X		
Tarkista lukkomutteri.	X		
Tarkista, ettei polttoainetta vuoda.	X		
Varmista, että ruohoterä on kohdistettu keskelle, että se on terävä ja ettei terässä tai keskireiässä ole vaurioita.	X		
Varmista, ettei terälaite pyöri joutokäyntinopeudella.	X		
Levitä rasvaa kaksiosaiseen runkoputkeen.		X	
Tarkista käynnistysnarun kahva ja käynnistysnaru.		X	
Tarkista kulmavaihterä.		X	
Puhdista sytytystulpan ulkopinta. Irrota sytytystulppa ja mittaa kärkiväli. Säädä kärkiväli tai vaihda sytytystulppa.		X	
Puhdista jäähdytysjärjestelmä.		X	
Puhdista tai vaihda äänenvaimentimen kipinäverkko.		X	
Puhdista kaasuttimen ulkopinta ja sen ympäristö.		X	
Tarkista polttoaineensuodatin likaantumisen varalta.			X
Tarkista polttoaineletku vaurioiden varalta.			X
Tarkista kaikki kaapelit ja liitännät.			X
Tarkista kytkimen, kytkinjousten ja kytkinrummun kuluminen.			X
Vaihda sytytystulppa.			X

Joutokäyntinopeuden säätö

Varmista, että ilmansuodatin on puhdas ja ilmansuodattimen kansi kiinnitetty, ennen kuin säädät joutokäyntinopeutta.

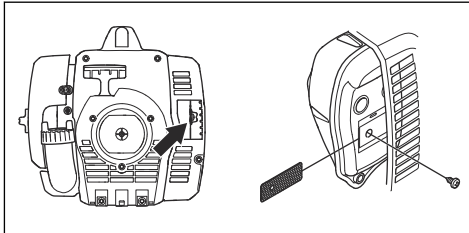
1. Käännä joutokäyntiruuvia, jossa on merkintä "T", myötäpäivään, kunnes teräketju alkaa pyöriä.



2. Käännä joutokäyntinopeuden säätöruuvia, jossa on merkintä "T", vastapäivään, kunnes terälaite pysähtyy.
3. Joutokäyntinopeuden on oltava pienempi kuin käyntinopeuden, jolla terälaite alkaa pyöriä. Joutokäyntinopeus on oikea, kun moottori käy tasaisesti kaikilla asennoilla.

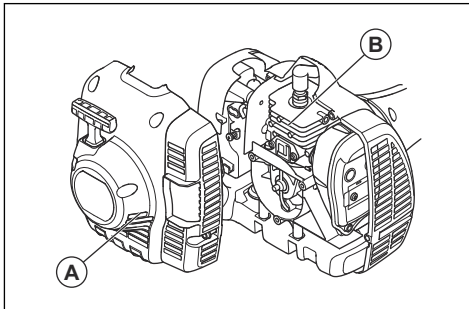
Kipinäverkon kunnossapito

- Puhdista kipinäverkko teräsharjalla.



Jäähdytysjärjestelmän puhdistus

- Puhdista käynnistimen ilmanottoaukko (A) ja sylinterin jäähdytysrivat (B) harjalla.



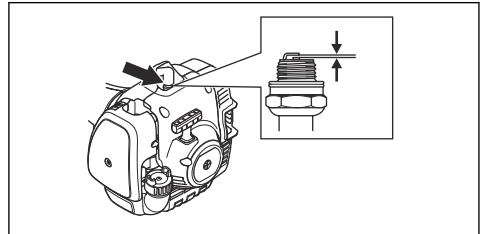
Sytytystulpan tarkistus



HUOMAUTUS: Käytä suositeltua sytytystulppaa. Varmista, että uusi osa on samanlainen kuin valmistajan toimittama osa. Väärä sytytystulppa voi aiheuttaa laitevaurion. Varmista, että sytytystulppa

on varustettu häiriösuodattimella. Lisätietoja saat huoltoliikkeestä.

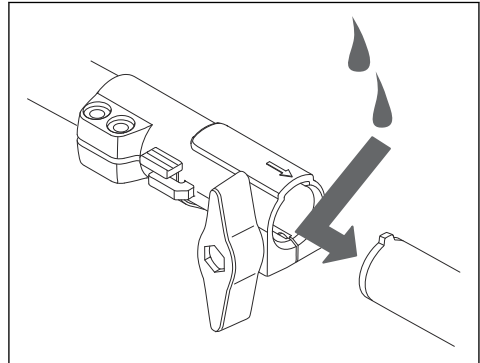
1. Tarkista sytytystulppa seuraavissa tilanteissa:
 - a) Moottorin teho on heikko.
 - b) Moottoria ei ole helppo käynnistää.
 - c) Moottori ei toimi oikein joutokäyntinopeudella.
2. Jos moottoria ei ole helppo käynnistää tai käyttää, tarkista onko sytytystulpassa ylimääräistä materiaalia. Ehkäise ylimääräisen materiaalin joutuminen sytytystulpan elektrodeihin seuraavasti:
 - a) Varmista, että joutokäyntinopeus on säädetty oikein.
 - b) Varmista, että polttoaineseos on oikea.
 - c) Varmista, että ilmansuodatin on puhdas.
3. Puhdista sytytystulppa, jos se on likainen. Tarkista, että kärkiväli on oikea. Katso kohta *Tekniset tiedot sivulla 198*.



4. Vaihda sytytystulppa tarvittaessa.

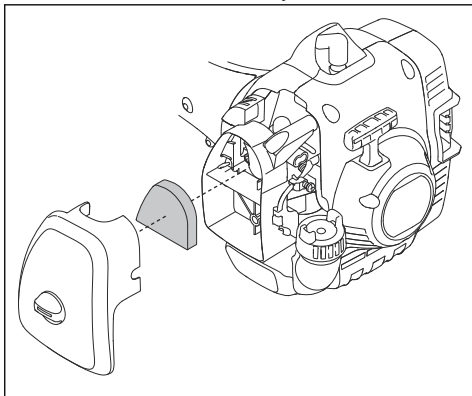
Rasvan levitys kaksiosaiseen akseliin

- Levitä rasvaa vetoakselin päähän 30 käyttötunnin välein.



Ilmansuodattimen puhdistaminen

1. Irrota ilmansuodattimen kansi ja ilmansuodatin.



2. Pese ilmansuodatin lämpimällä saippuvedellä. Varmista ennen asentamista, että ilmansuodatin on kuiva.
3. Vaihda ilmansuodatin, jos se on liian likainen, eikä sitä saa täysin puhtaaksi. Vaurioitunut ilmansuodatin on aina vaihdettava.
4. Jos laitteessa on vaahtokumi-ilmansuodatin, levitä ilmansuodatinöljyä. Levitä ilmansuodatinöljyä vain vaahtokumisuodattimeen. Älä levitä öljyä huopasuodattimeen.

Ilmansuodatinöljyn levitys ilmansuodattimeen

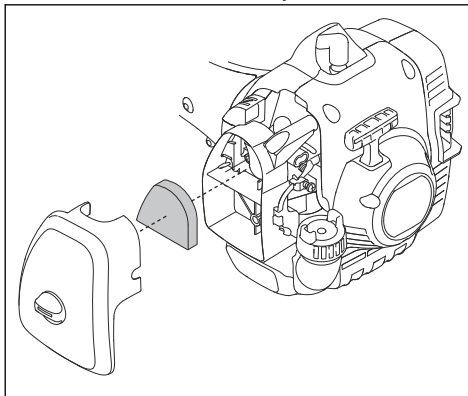


HUOMAUTUS: Käytä vaahtokumi-ilmansuodattimissa aina erityistä ilmansuodatinöljyä. Älä käytä muita öljytyyppejä.

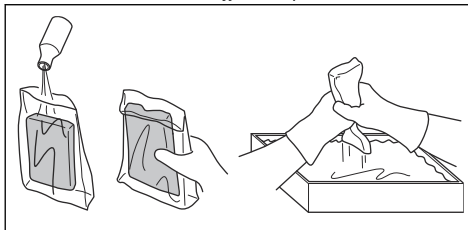


VAROITUS: Varo, ettei iholle pääse öljyä.

1. Irrota ilmansuodattimen kansi ja ilmansuodatin.



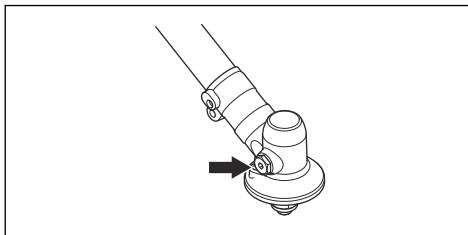
2. Siirrä ilmansuodatin muovipussiin.
3. Kaada ilmansuodatinöljy muovipussiin.



4. Painele muovipussia, jotta öljy levittyy tasaisesti koko ilmansuodattimeen.
5. Paina pussissa olevaa ilmansuodatinta ylimääräisen ilmansuodatinöljyn poistamiseksi. Ota ilmansuodatin pois pussista.
6. Asenna ilmansuodatin.

Rasvan levitys kulmavaihteeseen

- Varmista, että $\frac{3}{4}$ kulmavaihteesta on täytetty rasvalla.



Vianmääritys

Moottori ei käynnisty

Tarkistus	Mahdollinen syy	Toimenpide
KytKentäkynnet	KytKentäkynnet eivät pääse liikkumaan vapaasti.	Irrota käynnistimen kansi ja puhdista kytkentäkynsien ympäristö.
		Anna huoltotyö valtuutetun huoltoliikkeen tehtäväksi.
Polttoainesäiliö	Väärä polttoainetyyppi.	Huuhtelee polttoainesäiliö ja täytä oikealla polttoaineella.
Sytytystulppa	Sytytystulppa on likainen tai märkä.	Varmista, että sytytystulppa on kuiva ja puhdas.
	Sytytystulpan kärkiväli on virheellinen.	Puhdista sytytystulppa. Tarkista, että kärkiväli on oikea. Varmista, että sytytystulpassa on häiriösuodatin.
	Sytytystulppa on löysä.	Katso oikea kärkiväli kohdasta <i>Tekniset tiedot sivulla 198</i> . Kirstä sytytystulppa.

Moottorin käynnisty mutta sammuu uudelleen

Tarkistus	Mahdollinen syy	Toimenpide
Polttoainesäiliö	Väärä polttoainetyyppi.	Tyhjennä polttoainesäiliö ja täytä oikealla polttoaineella.
Ilmansuodatin	Ilmansuodatin on tukossa.	Puhdista ilmansuodatin.

Kuljetus ja säilytys

- Anna laitteen jäähtyä aina ennen varastointia.
- Kun säilytät ja kuljetat laitetta ja polttoainetta, varmista, ettei laite vuoda polttoainetta tai polttoainehöyryä. Esimerkiksi sähkölaitteista tai lämmityskattiloista peräisin olevat kipinät tai avotuli voivat aiheuttaa tulipalon.
- Käytä polttoaineen säilytyksessä ja kuljettamisessa aina hyväksytyjä polttoainesäiliöitä.
- Tyhjennä polttoaine ennen kuljetusta tai pitkäaikaista säilytystä. Hävitä polttoaine viemällä se asianmukaiseen keräyspisteeseen.
- Kiinnitä kuljetussuojus kuljetuksen ja säilytyksen ajaksi.
- Irrota sytytystulpan suojus sytytystulpasta.
- Kiinnitä laite kuljetuksen ajaksi. Varmista, ettei se pääse liikkumaan.
- Puhdista ja huolla laite ennen pitkäaikaista säilytystä.

Tekniset tiedot

Tekniset tiedot

	122C	122LK
Moottori		
Sylinteritilavuus, cm ³	21,7	21,7
Joutokäyntinopeus, r/min	2 900	2 900
Suosittelunopeus, r/min	7 200	9 100
Käyttöakselin pyörimisnopeus, r/min	7 200	6 232
ISO 8893 -standardin mukainen enimmäisteho, kW/hv – r/min	0,6/0,8 @ 7 800	0,6/0,8 @ 7 800
Katalyysaattoriäänenvaimennin	Kyllä	Kyllä
Kierrosluvun mukaan säätävä sytytysjärjestelmä	Ei	Ei
Sytytysjärjestelmä		
Sytytystulppa	HQT-4 672201	HQT-4 672201
Kärkiväli, mm	0,5	0,5
Polttoainejärjestelmä		
Polttoainesäiliön tilavuus, l/cm ³	0,3/300	0,3/300
Paino		
Paino, ilman polttoainetta, terälaitetta ja suojusta, kg	4,4	4,8
Melupäästöt ²⁸		
Äänentehotaso, mitattu, dB(A)	102	104
Äänentehotaso, taattu (L _{WA}), dB(A)	104	108
Äänitasot ²⁹		
Ekvivalentti äänenpainetaso käyttäjän korvan tasalla mitattuna EN/ISO 11806- ja ISO 22868 -standardien mukaan, dB(A)	88	90
Tärinätasot ³⁰		
Vastaava tärinätaso (a _{hv, eq}), siimapäää käytössä, vasen kahva, m/s ²	5,0	3,6
Vastaava tärinätaso (a _{hv, eq}), siimapäää käytössä, oikea kahva, m/s ²	3,6	3,5

²⁸ Melupäästöt ympäristöön äänentehona (L_{WA}) EY-direktiivin 2000/14/EY mukaisesti mitattuna. Laitteen ilmoitettu äänentehotaso on mitattu käyttäen alkuperäistä terälaitetta, joka antaa suurimman äänentehotason. Taatun ja mitatun äänentehon erona on se, että taattu äänenteho sisältää myös mitatun tuloksen hajonnan ja vaihtelun saman mallin eri laitteiden välillä direktiivin 2000/14/EY mukaisesti.

²⁹ Ilmoitetuilla tiedoilla vastaavasta laitteen äänenpainetasosta tyypillinen tilastollinen hajonta (vakiopoikkeama) on 1 dB (A).

³⁰ Ilmoitetuilla tiedoilla vastaavasta tärinätasosta tyypillinen tilastollinen hajonta (vakiopoikkeama) on 1 m/s².

Tarvikkeet

Lisävarusteet

122C		
Hyväksytyt lisävarusteet	Tyyppi	Terälaitteen suojus
Kierreakseli	3 / 8 R	–
Siimapää	T25 (Ø 2,0–2,4 mm siima)	574 47 95-01
	T25C (Ø 2,0–2,7 mm siima)	
	R25 (Ø 2,0–2,4 mm siima)	
122LK		
Hyväksytyt lisävarusteet	Tyyppi	Terälaitteen suojus
Kierreakseli	M10	–
Siimapää	T25 (Ø 2,0–2,4 mm siima)	574 19 87-01
	R25 (Ø 2,0–2,4 mm siima)	

Seuraavia lisävarusteita suositellaan alla mainituille malleille.

Hyväksytyt lisälaitteet	Tyyppi	Käyttökohde
Harjalisälaite	SR600-2	122LK
Pensasleikkurilisälaite	HA200	122LK
Pensasleikkurilisälaite	HA860	122LK
Reunaleikkurilisälaite	ECA850, ESA860	122LK
Sahalisälaite	PA1100	122LK
Jatkokappale	EX780	122LK
Maanjyrsinsarja	CA230	122LK
Puhallinlisälaite	BA101	122LK
Telaharjalisälaite	BR600	122LK
Pintailmaajalisälaite	DT600	122LK

Vaatimustenmukaisuusvakuutus

EU-vaatimustenmukaisuusvakuutus

Husqvarna AB, SE-561 82 Huskvarna, Ruotsi, puh.
+46 36 146 500, vakuuttaa täten, että tuote:

Kuvaus	Bensiinikäyttöinen trimmeri/ruohoraivuri
Tuotemerkki	Husqvarna
Tyyppi/malli	122C, 122LK
Tunniste	Sarjanumero alkaen 2022

vastaavat täysin seuraavien EU:n direktiivien ja
asetusten vaatimuksia:

Asetus	Kuvaus
2006/42/EC	Konedirektiivi
2014/30/EU	EMC-direktiivi
2000/14/EC	Melupäästäödirektiivi
2011/65/EU	Tiettyjen vaarallisten aineiden käytön rajoittamisesta annettu direktiivi

Seuraavia standardeja on sovellettu:

EN ISO 12100:2010, EN ISO 11806-1:2011, ISO
14982:1998, CISPR 12:2007+A1:2009, EN IEC
63000:2018

RISE SMP Svensk Maskinprovning AB, Box 7035,
SE-750 07 Uppsala, Sweden, on suorittanut Husqvarna
AB:n puolesta vapaaehtoisen tyyppitarkastuksen.

Sertifikaattien numerot ovat: 122C - SEC/10/2271,
122LK - SEC/10/2272

RISE SMP Svensk Maskinprovning AB, on
myös vahvistanut vaatimustenmukaisuuden neuvoston
direktiivin 2000/14/EY liitteen V mukaisesti.

Sertifikaattien numerot ovat: 122C - 01/164/068, 122LK -
01/164/067.

Huskvarna 2022-05-13



Claes Losdal, R&D Manager, Husqvarna AB
Teknisestä dokumentaatiosta vastaava edustaja



Sommaire

Introduction.....	201	Dépannage.....	216
Sécurité.....	203	Transport et stockage.....	217
Montage.....	208	Caractéristiques techniques.....	217
Utilisation.....	209	Accessoires.....	218
Entretien.....	213	Déclaration de conformité.....	220

Introduction

Description du produit

Le produit est un coupe-bordures équipé d'un moteur à combustion.

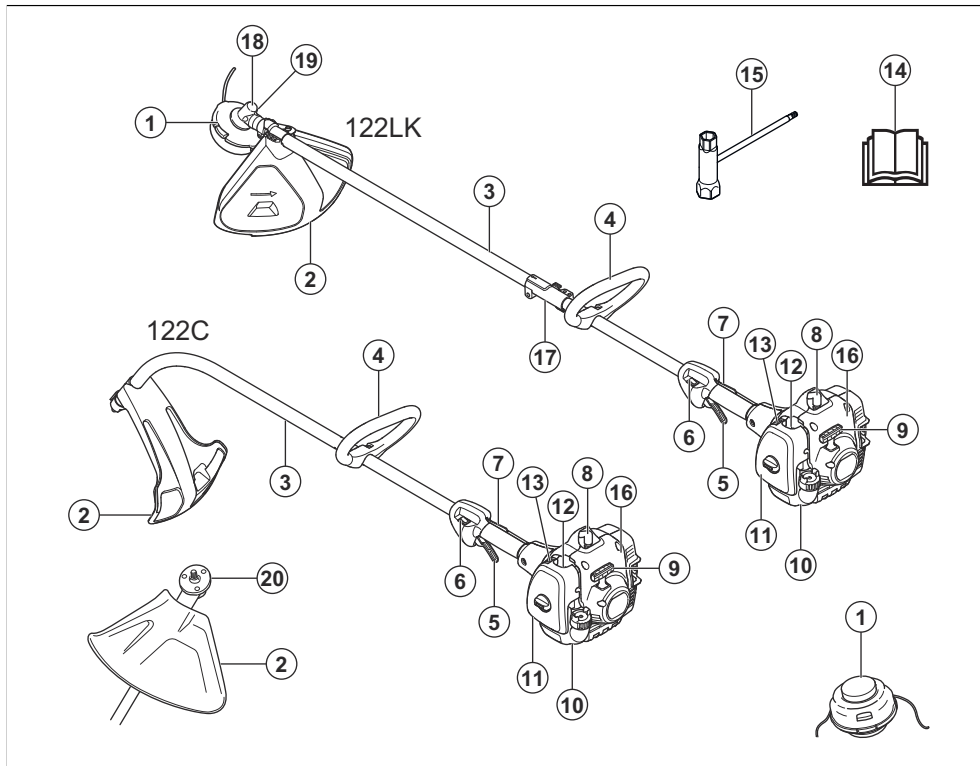
Nous travaillons en permanence à l'amélioration de votre sécurité et de votre efficacité pendant l'utilisation. Pour davantage d'informations, contactez votre atelier d'entretien.

Utilisation prévue

Ce produit est utilisé avec une tête de désherbage pour couper l'herbe. N'utilisez pas ce produit pour d'autres tâches que le désherbage et débroussaillage.

Remarque: La législation nationale peut imposer des limites à l'utilisation du produit.

Aperçu du produit



1. Tête de désherbage
2. Protection pour l'équipement de coupe

3. Arbre
4. Poignée anneau

5. Gâchette d'accélération
6. Bouton d'arrêt
7. Blocage de la gâchette d'accélération
8. Chapeau de bougie et bougie
9. Poignée du câble du démarreur
10. Réservoir de carburant
11. Couvercle de filtre à air
12. Poire de la pompe à carburant
13. Starter
14. Manuel de l'opérateur
15. Clé mixte
16. Corps du lanceur
17. Raccord du tube de transmission
18. Renvoi d'angle
19. Ravitaillement en lubrifiant, renvoi d'angle
20. Disque d'entraînement

Symboles concernant le produit



AVERTISSEMENT ! Ce produit est dangereux. L'opérateur ou les personnes situées à proximité peuvent subir des blessures graves ou mortelles si le produit n'est pas utilisé correctement et avec précaution. Pour éviter de blesser l'opérateur ou d'autres personnes, lisez et respectez toutes les consignes de sécurité du manuel d'utilisation.



Lisez attentivement le manuel d'utilisation et assurez-vous de bien comprendre les instructions avant utilisation.



Utilisez un casque de protection dans les endroits où des objets peuvent tomber. Utilisez des protège-oreilles homologués. Utilisez des protections pour les yeux homologués.



Régime maximal de l'arbre de sortie.



Le produit est conforme aux directives CE en vigueur.



Le produit peut entraîner la projection d'objets, ce qui peut causer des blessures.



Restez à une distance minimale de 15 m des personnes et des animaux pendant le fonctionnement du produit.



Utilisez des gants de protection homologués.



Utilisez des bottes antidérapantes robustes.



Utilisez uniquement un fil de coupe flexible. N'utilisez pas d'accessoires de coupe en métal.



Étiquette relative aux émissions sonores dans l'environnement selon les directives et réglementations européennes et du Royaume-Uni et la législation de la Nouvelle-Galles du Sud : « Protection of the Environment Operations (Noise Control) Regulation 2017 ». Le niveau de puissance sonore garanti du produit est spécifié à la section *Caractéristiques techniques à la page 217* et sur l'étiquette.



Poire de la pompe à carburant.



Starter.



Ce produit est conforme aux directives en vigueur au Royaume-Uni.

yyyywwxxxx

La plaque signalétique indique le numéro de série. **yyyy** désigne l'année de production et **ww** correspond à la semaine de production.

Remarque: Les autres symboles/autocollants présents sur le produit concernent des exigences de certification spécifiques à d'autres zones commerciales.

Émissions Euro V



AVERTISSEMENT: toute altération du moteur a pour effet d'annuler l'homologation de type UE de ce produit.

Assistance client

Pour joindre l'assistance client, composez le :
1-800-487-5951 ou visitez le site www.husqvarna.com.

Responsabilité

Conformément à la loi sur la responsabilité du fait des produits, nous déclinons toute responsabilité pour tout dommage causé par notre produit si :

- le produit n'est pas correctement réparé ;
- le produit est réparé avec des pièces qui ne proviennent pas du fabricant ou qui ne sont pas homologuées par le fabricant ;
- le produit est équipé d'un accessoire qui ne provient pas du fabricant ou qui n'est pas homologué par le fabricant ;
- le produit n'est pas réparé par un centre d'entretien agréé ou par une autorité homologuée.

Sécurité

Définitions de sécurité

Des avertissements, des recommandations et des remarques sont utilisés pour souligner des parties spécialement importantes du manuel.



AVERTISSEMENT: Symbole utilisé en cas de risque de blessures ou de mort pour l'opérateur ou les personnes à proximité si les instructions du manuel ne sont pas respectées.



REMARQUE: Symbole utilisé en cas de risque de dommages pour le produit, d'autres matériaux ou les environs si les instructions du manuel ne sont pas respectées.

Remarque: Symbole utilisé pour donner des informations supplémentaires pour une situation donnée.

Instructions générales de sécurité



AVERTISSEMENT: Lisez les instructions qui suivent avant d'utiliser le produit.

- Utilisez le produit correctement. Une utilisation inappropriée peut causer des blessures graves, voire mortelles. Utilisez uniquement le produit pour les tâches décrites dans le présent manuel. N'utilisez pas ce produit pour d'autres travaux.
- Respectez les instructions de ce manuel. Respectez les symboles et les instructions de sécurité. Le non-respect des instructions et des symboles par l'opérateur peut causer des blessures graves, voire mortelles, ou des dommages.
- Ne jetez pas ce manuel. Utilisez les instructions pour assembler, utiliser et conserver votre produit en bon état. Utilisez les instructions pour l'installation appropriée des équipements et accessoires. Utilisez uniquement des équipements et accessoires homologués.
- le produit n'est pas correctement réparé ;
- le produit est réparé avec des pièces qui ne proviennent pas du fabricant ou qui ne sont pas homologuées par le fabricant ;
- le produit est équipé d'un accessoire qui ne provient pas du fabricant ou qui n'est pas homologué par le fabricant ;
- le produit n'est pas réparé par un centre d'entretien agréé ou par une autorité homologuée.
- N'utilisez pas de produit endommagé. Respectez le schéma d'entretien. Effectuez uniquement les travaux d'entretien dont les instructions sont comprises dans ce manuel. Tous les autres travaux d'entretien doivent être effectués par un centre d'entretien agréé.
- Ce manuel ne peut pas inclure toutes les situations qui peuvent se produire lorsque vous utilisez le produit. Soyez prudent et utilisez votre bon sens. N'utilisez pas ou n'effectuez pas de travaux d'entretien sur le produit si vous n'êtes pas sûr de la situation. Contactez un spécialiste du produit, votre revendeur, votre agent d'entretien ou centre d'entretien agréé pour plus d'informations.
- Déconnectez la bougie avant d'assembler, de stocker ou d'effectuer l'entretien du produit.
- N'utilisez pas le produit si ses caractéristiques initiales ont été changées. Ne remplacez pas une pièce du produit sans l'approbation du fabricant. Utilisez uniquement des pièces approuvées par le fabricant. Un entretien inapproprié peut causer des blessures graves, voire mortelles.
- Ne respirez pas les fumées provenant du moteur. À long terme, l'inhalation de gaz d'échappement dégagés par le moteur constitue un risque pour la santé.
- Ne démarrez pas le produit dans un local clos ou à proximité de matériaux inflammables. Les gaz d'échappement sont très chauds et peuvent contenir une étincelle pouvant provoquer un incendie. Un débit d'air insuffisant peut causer des blessures graves, voire mortelles dues à une asphyxie ou au monoxyde de carbone.
- Lorsque vous utilisez ce produit, le moteur crée un champ électromagnétique. Le champ électromagnétique peut endommager les implants médicaux. Consultez votre médecin et le fabricant de votre implant avant d'utiliser ce produit.
- Ne laissez pas un enfant utiliser le produit. Ne laissez personne utiliser la machine sans en connaître les instructions d'utilisation.
- Assurez-vous de toujours surveiller une personne aux capacités physiques ou mentales réduites qui utilise le produit. Un adulte responsable doit être présent à tout moment.
- Stockez le produit dans une zone dont l'accès est fermé aux enfants et aux personnes non autorisées.

- Le produit peut projeter des objets et causer des blessures. Respectez les consignes de sécurité afin de réduire le risque de blessures graves ou mortelles.
- Ne vous éloignez pas du produit lorsque le moteur est allumé.
- L'opérateur du produit est tenu responsable en cas d'accident.
- Assurez-vous que les pièces ne soient pas endommagées avant d'utiliser le produit.
- Assurez-vous de maintenir une distance minimum de 15 m (50 ft) entre vous et les autres personnes ou animaux avant d'utiliser le produit. Assurez-vous que les personnes présentes dans une zone adjacente sachent que vous allez utiliser le produit.
- Référez-vous aux lois nationales ou locales. Elles peuvent empêcher ou limiter le fonctionnement du produit dans certaines conditions.
- N'utilisez pas le produit si vous êtes fatigué ou sous l'emprise d'alcool, de drogues ou de médicaments. Ces facteurs sont susceptibles d'affecter votre vue, votre vigilance, votre coordination ou votre jugement.

Consignes de sécurité pour l'assemblage



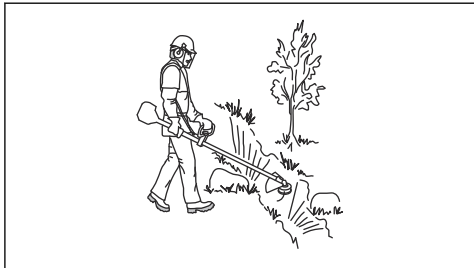
AVERTISSEMENT: Lisez les instructions qui suivent avant d'utiliser le produit.

- Retirez le chapeau de bougie de la bougie d'allumage avant de monter le produit.
- Utilisez des gants de protection homologués.
- Assurez-vous d'assembler correctement le capot et l'arbre avant de démarrer le moteur.

Consignes de sécurité pour le fonctionnement

- Assurez-vous que le produit est complètement assemblé avant de l'utiliser.
- Assurez-vous de démarrer le produit 3 m (10 ft) loin de l'endroit où vous avez rempli le réservoir de carburant. Placez le produit sur une surface plane. Vérifiez que l'équipement de coupe ne touche pas le sol ou tout autre objet.
- Le produit peut entraîner la projection d'objets, ce qui peut causer des lésions oculaires. Utilisez toujours des protections pour les yeux homologuées lorsque vous faites fonctionner le produit.
- Soyez prudent, un enfant peut se trouver à proximité du produit durant son fonctionnement sans que vous en ayez connaissance.
- N'utilisez pas le produit si des personnes sont présentes dans la zone de travail. Arrêtez le produit si une personne pénètre dans la zone de travail.
- Assurez-vous de toujours garder le contrôle du produit.

- N'utilisez pas ce produit si vous ne pouvez pas être secouru en cas d'accident. Assurez-vous que d'autres personnes sachent que vous allez utiliser le produit avant de commencer.
- Ne tournez pas avec le produit avant de vous assurer qu'aucune personne ni aucun animal ne se trouvent dans la zone de sécurité.
- Retirez tous les matériaux indésirables de la zone de travail avant de commencer. Si l'équipement de coupe heurte un objet, l'objet peut être projeté et causer des blessures ou des dommages. Les matériaux indésirables peuvent s'enrouler autour de l'équipement de coupe et causer des dommages.
- N'utilisez pas le produit par mauvais temps (brouillard, pluie, vents violents, risque d'éclairs ou autres conditions climatiques). Le mauvais temps peut créer des conditions de travail dangereuses (telles que des surfaces glissantes).
- Assurez-vous que vous pouvez vous déplacer librement et travailler dans une position stable.



- Assurez-vous que vous ne pouvez pas tomber lorsque vous utilisez le produit. Ne vous inclinez pas lorsque vous utilisez le produit.
- Tenez toujours le produit avec vos deux mains. Tenez l'appareil du côté droit du corps.



- Utilisez le produit avec l'équipement de coupe sous le niveau de votre taille.
- Si la commande du starter est sur la position de starter lorsque le moteur démarre, l'équipement de coupe commence à tourner.
- Ne touchez pas le renvoi d'angle après l'arrêt du moteur. Le renvoi d'angle est chaud après l'arrêt du moteur. Les zones de chaleur peuvent causer des blessures.
- Arrêtez le moteur avant de déplacer le produit.

- Ne posez pas le produit lorsque le moteur est allumé.
- Avant de retirer les matériaux indésirables du produit, arrêtez le moteur et attendez jusqu'à l'arrêt de l'équipement de coupe. Attendez l'arrêt de l'équipement de coupe avant de retirer la matière coupée.

Équipement de protection individuel



AVERTISSEMENT: Lisez les instructions qui suivent avant d'utiliser le produit.

- Portez toujours un équipement de protection individuel homologué lorsque vous utilisez le produit. L'équipement de protection individuel ne protège pas complètement des blessures, mais il diminue la gravité des blessures en cas d'accident. Faites appel à votre revendeur pour vous aider à sélectionner l'équipement adéquat.
- Portez un casque de protection lorsqu'il y a un risque de chute d'objets.
- Portez des protège-oreilles homologués ayant un effet atténuateur suffisant. Une exposition prolongée au bruit risque de causer des lésions auditives permanentes.
- Utilisez des protections pour les yeux homologuées. L'usage d'une visière doit toujours s'accompagner du port de lunettes de protection homologuées. Les lunettes de protection doivent être conformes aux normes ANSI Z87.1 (États-Unis) ou EN 166 (pays de l'UE).
- Utilisez une visière pour vous protéger le visage. La visière ne suffit pas à protéger les yeux.

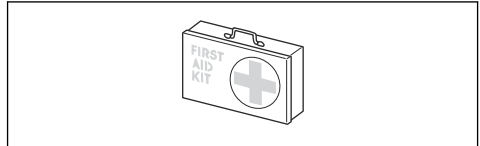


- Portez des gants de protection en cas de besoin, par exemple lorsque vous fixez, examinez ou nettoyez l'équipement de coupe.
- Portez des bottes antidérapantes et stables.
- Portez des vêtements fabriqués dans un matériau résistant. Portez toujours des pantalons longs, épais et des manches longues. Ne portez pas de vêtements amples qui risqueraient de se prendre dans les brindilles et les branches. Ne portez pas de bijoux, de shorts, de sandales et ne marchez pas

pieds nus. Attachez vos cheveux de façon sécurisée au-dessus de vos épaules.



- Gardez toujours une trousse de premiers soins à portée de main.



Dispositifs de sécurité sur le produit

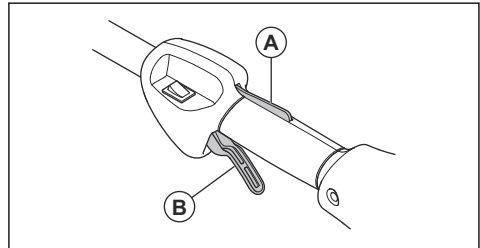


AVERTISSEMENT: Lisez les instructions qui suivent avant d'utiliser le produit.

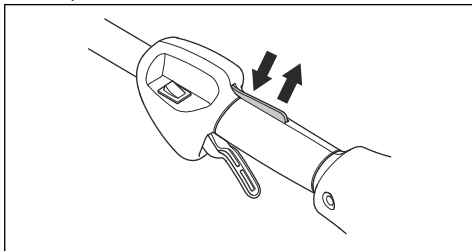
- N'utilisez pas un produit avec des dispositifs de sécurité défectueux.
- Contrôlez les dispositifs de sécurité régulièrement. Reportez-vous à la section *Calendrier de maintenance* à la page 213.
- Si les dispositifs de sécurité sont défectueux, parlez-en à votre atelier d'entretien Husqvarna.

Pour contrôler le blocage de la gâchette d'accélération

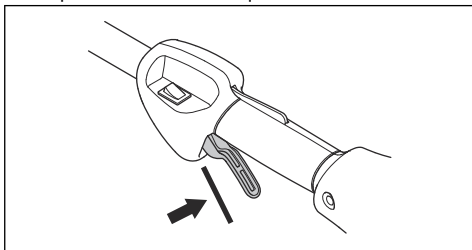
1. Assurez-vous que le blocage de la gâchette d'accélération (A) et que la gâchette d'accélération (B) se déplacent librement et que le ressort de rappel fonctionne correctement.



- Appuyez sur le blocage de la gâchette d'accélération et assurez-vous qu'il retourne à sa position initiale lorsque vous le relâchez.



- Vérifiez que la gâchette d'accélération est bloquée en position de ralenti lorsqu'elle est déverrouillée.



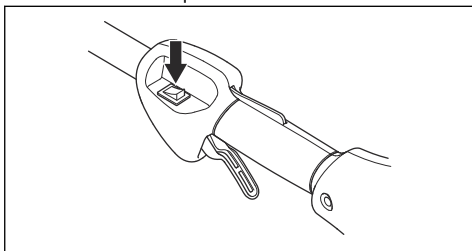
- Démarrez le produit et faites-le fonctionner à plein régime.
- Relâchez la gâchette d'accélération et vérifiez que les lames sont arrêtées et qu'elles restent immobiles.



AVERTISSEMENT: Si les lames bougent lorsque la gâchette d'accélération est sur la position de ralenti, alors le régime de ralenti du carburateur doit être réglé. Reportez-vous à la section *Pour régler le régime de ralenti* à la page 214.

Pour contrôler l'interrupteur d'arrêt

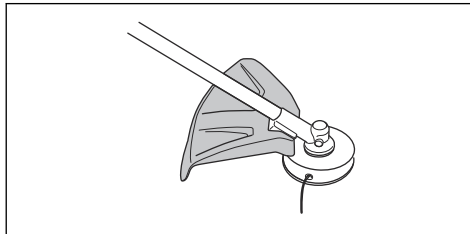
- Démarrez le moteur.
- Mettez l'interrupteur de marche/arrêt en position d'arrêt et vérifiez que le moteur s'arrête.



Pour contrôler la protection de l'équipement de coupe

La protection de l'accessoire de coupe permet d'arrêter les objets projetés en direction de l'opérateur. Elle permet également d'éviter de se blesser si vous touchez l'équipement de coupe.

- Arrêtez le moteur.
- Réalisez un contrôle visuel pour détecter les dommages, par exemple des fissures.



- Remplacez la protection de l'accessoire de coupe si celle-ci est endommagée.

Silencieux

- N'utilisez pas un moteur dont le silencieux est endommagé. Un silencieux endommagé augmente le niveau sonore et le risque d'incendie. Gardez un extincteur à proximité.
- Vérifiez régulièrement que le silencieux est bien fixé sur le produit.
- Ne touchez pas le moteur ni le silencieux quand le moteur est allumé. Ne touchez pas le moteur ni le silencieux peu après l'arrêt du moteur. Les surfaces chaudes peuvent causer des blessures.
- La chaleur du silencieux peut provoquer un incendie. Soyez prudent si vous utilisez le produit à proximité de liquides inflammables ou de fumées.
- Ne touchez pas les pièces à l'intérieur du silencieux si celui-ci est endommagé. Les pièces peuvent contenir certains produits chimiques cancérigènes.

Équipement de coupe



AVERTISSEMENT: Lisez les instructions qui suivent avant d'utiliser le produit.

- Effectuez un entretien régulier. Laissez un centre d'entretien agréé régulièrement examiner l'équipement de coupe pour effectuer des réglages ou des réparations.
 - Les performances de l'équipement de coupe s'améliorent.
 - La durée de vie de l'équipement de coupe augmente.
 - Le risque d'accident diminue.
- Utilisez uniquement la protection homologuée pour l'équipement de coupe. Reportez-vous à la section *Accessoires* à la page 218.

- N'utilisez pas un équipement de coupe endommagé.

Sécurité carburant



AVERTISSEMENT: Lisez les instructions qui suivent avant d'utiliser le produit.

- Ne mélangez pas le carburant à l'intérieur ou à proximité d'une source de chaleur.
- Ne démarrez pas le produit si du carburant ou de l'huile moteur a été renversé(e) sur le produit. Essuyez le carburant/l'huile et attendez que le produit sèche. Essuyez le carburant déversé sur le produit.
- Si vous avez renversé du carburant sur vos vêtements, changez de vêtements immédiatement.
- Évitez tout contact de la peau avec le carburant. Le carburant peut causer des blessures. Si votre peau entre en contact avec le carburant, lavez les parties qui ont été en contact avec de l'eau et du savon.
- Ne démarrez pas le moteur si vous avez renversé de l'huile ou du carburant sur le produit ou sur vous.
- Ne démarrez pas le produit s'il y a une fuite de moteur. Vérifiez régulièrement s'il y a des fuites de moteur.
- Faites attention avec le carburant. Le carburant est inflammable et ses vapeurs sont explosives. Il peut causer des blessures graves, voire mortelles.
- Ne respirez pas les vapeurs de carburant, elles peuvent causer des blessures. Assurez-vous que la ventilation est suffisante.
- Ne fumez pas à proximité du carburant ou du moteur.
- Ne mettez pas d'objets chauds à proximité du carburant ou du moteur.
- N'ajoutez pas de carburant lorsque le moteur est allumé.
- Assurez-vous que le moteur est froid avant de faire le plein de carburant.
- Avant de faire le plein, ouvrez le bouchon du réservoir de carburant lentement et relâchez la pression avec précaution.
- Assurez-vous que la ventilation est suffisante lors du remplissage et du mélange de carburant (essence et huile deux temps) ou lors de la vidange du réservoir de carburant.
- Le carburant et les vapeurs de carburant sont très inflammables et peuvent causer des blessures très graves en cas d'inhalation ou de contact avec la peau. Il convient donc d'observer la plus grande prudence lors de la manipulation du carburant et de veiller à disposer d'une aération suffisante.
- Serrez le bouton du réservoir de carburant avec précaution afin d'éviter tout risque d'incendie.
- Déplacez le produit à un minimum de 3 m (10 ft) de l'endroit où a été fait le plein de carburant avant de démarrer le produit.
- Ne remplissez pas trop le réservoir de carburant.

- Assurez-vous qu'aucune fuite ne peut se produire lorsque vous déplacez le produit ou le bidon de carburant.
- Ne placez pas le produit ni le bidon de carburant dans un espace où il y a une flamme nue, des étincelles ou une veilleuse d'allumage. Assurez-vous qu'il n'y a pas de flamme nue dans le lieu de stockage.
- Utilisez uniquement des récipients homologués pour le transport et le stockage de carburant.
- Avant de remiser le produit pour une période prolongée, videz le réservoir de carburant. Respectez la législation locale sur les lieux d'élimination du carburant.
- Nettoyez le produit avant de le remiser pour une période prolongée.
- Retirez le chapeau de bougie avant de remiser le produit afin de vous assurer que le moteur ne démarre pas par inadvertance.

Consignes de sécurité pour l'entretien



AVERTISSEMENT: Lisez les instructions qui suivent avant d'utiliser le produit.

- Arrêtez le moteur, assurez-vous que l'équipement de coupe s'arrête et laissez le produit refroidir avant d'effectuer l'entretien.
- Débranchez le chapeau de bougie d'allumage avant d'effectuer l'entretien.
- Les gaz d'échappement du moteur contiennent du monoxyde de carbone, un gaz inodore, toxique et très dangereux pouvant entraîner la mort. Ne faites pas tourner le moteur en intérieur ou dans des espaces fermés.
- Les gaz d'échappement du moteur sont très chauds et peuvent contenir des étincelles. N'utilisez pas le produit dans un local clos ou à proximité de matériaux inflammables.
- Les accessoires et les modifications apportées au produit qui ne sont pas approuvés par le fabricant peuvent causer des blessures très graves, voire mortelles. Ne modifiez pas le produit. Utilisez uniquement des accessoires d'origine.
- Si l'entretien n'est pas effectué correctement et régulièrement, le risque de blessures et d'endommagement du produit augmente.
- Effectuez uniquement les tâches d'entretien recommandées dans le présent manuel d'utilisation. Laissez un agent d'entretien Husqvarna approuvé se charger de toutes les autres opérations d'entretien.
- Demandez à un Husqvarna atelier spécialisé d'effectuer régulièrement l'entretien du produit.
- Remplacez les pièces endommagées, usées ou cassées.
- Reportez-vous aux instructions relatives à l'équipement de coupe pour connaître la procédure

d'installation correcte du fil de coupe ainsi que le diamètre correct du fil.

- Maintenez les dents de la lame correctement affûtées. Suivez nos recommandations. Reportez-

vous également aux instructions sur l'emballage des lames.

Montage

Introduction



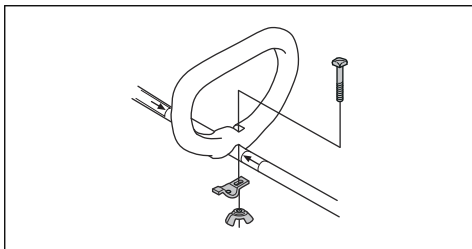
AVERTISSEMENT: Avant de monter le produit, vous devez lire et comprendre le chapitre sur la sécurité.



AVERTISSEMENT: Débranchez le câble d'allumage de la bougie avant de monter le produit.

Pour fixer la poignée anneau

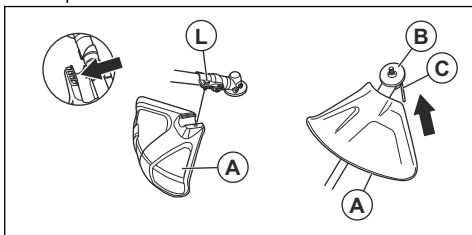
1. Fixez la poignée anneau sur l'arbre conformément à l'illustration et serrez.



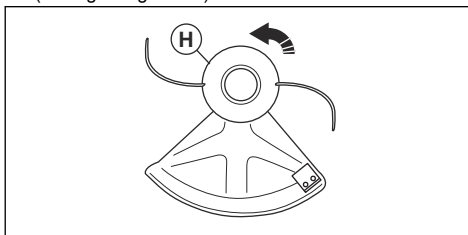
2. Assurez-vous de fixer la poignée anneau entre les flèches situées sur l'arbre.

Pour fixer la protection pour l'équipement de coupe et la tête de désherbage (arbre droit)

1. Fixez la protection de l'équipement de coupe (A) sur l'arbre à l'aide du boulon (L).
2. Fixez le toc d'entraînement (B) sur l'axe sortant.
3. Faites tourner l'axe sortant jusqu'à ce que le trou du toc d'entraînement coïncide avec le trou correspondant du carter.
4. Placez un petit tournevis (C) dans le trou afin de bloquer l'arbre.

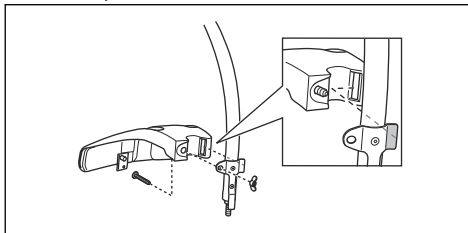


5. Tournez la tête de désherbage (H) dans le sens contraire des aiguilles d'une montre pour fixer fermement la tête de désherbage au carter. (Filetages à gauche.)

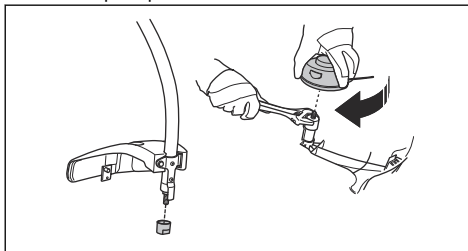


Pour fixer la protection pour l'équipement de coupe et la tête de désherbage (arbre courbé)

1. Fixez la protection. Serrez l'écrou.



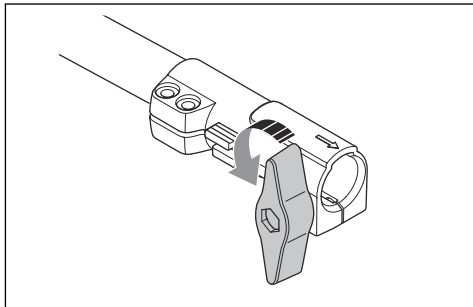
2. Fixez le pare-poussière sur l'arbre.



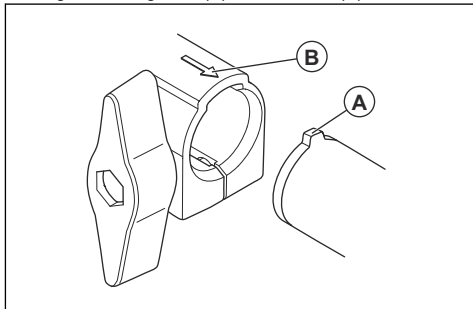
3. Maintenez le pare-poussière avec une clé réglable pour veiller à ce que l'arbre ne tourne pas.
4. Fixez la tête de désherbage sur l'arbre. Tournez la tête de désherbage dans le sens des aiguilles d'une montre.

Pour monter le tube de transmission démontable

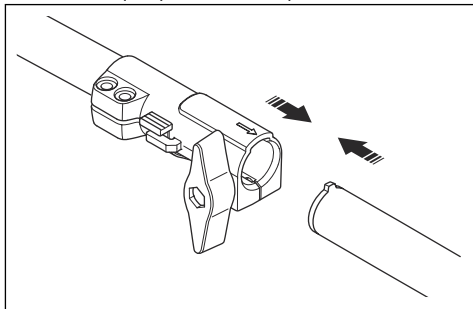
1. Tournez le bouton pour desserrer le raccord.



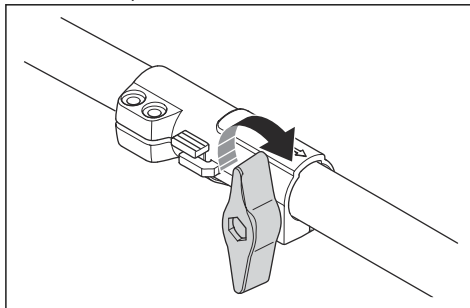
2. Alignez la languette (A) sur la flèche (B) du raccord.



3. Insérez l'arbre dans le raccord jusqu'à ce qu'un déclic indique qu'il est bien en place.

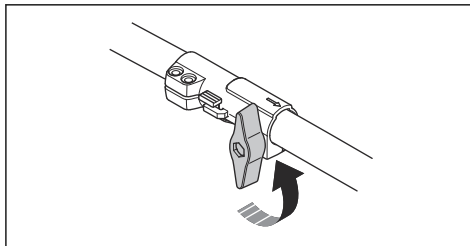


4. Serrez complètement le bouton.

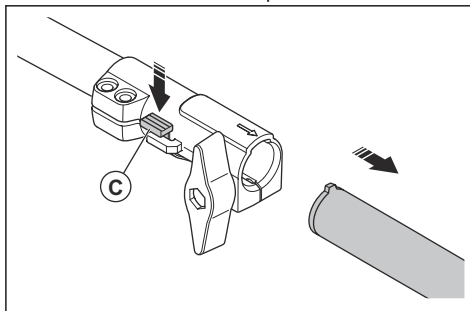


Démontage de l'arbre démontable

1. Tournez le bouton sur au moins 3 tours pour desserrer le raccord.



2. Appuyez sur le bouton (C) et maintenez-le enfoncé.
3. Tenez fermement l'extrémité de l'arbre auquel le moteur est fixé.
4. Tirez l'accessoire bien droit pour le sortir du raccord.



Utilisation

Introduction



AVERTISSEMENT: Avant d'utiliser le produit, vous devez lire et comprendre le chapitre sur la sécurité.

Carburant

Ce produit est équipé d'un moteur à deux temps.



REMARQUE: L'utilisation d'un type de carburant inadéquat peut endommager le moteur. Utilisez un mélange d'essence et d'huile deux temps.

Carburant prémélangé

- Utilisez Husqvarna un carburant alkylate prémélangé pour des performances optimales et une plus longue durée de vie du moteur. Ce carburant contient des produits chimiques moins dangereux par rapport au carburant normal, ce qui réduit la quantité de gaz d'échappement dangereux. Ce carburant génère une faible quantité de résidus, ce qui permet de garder les composants du moteur propres plus longtemps.

Pour mélanger le carburant

Essence

- Utilisez une essence sans plomb de bonne qualité avec un maximum de 10 % d'éthanol.



REMARQUE: n'utilisez pas d'essence avec un indice d'octane inférieur à 90 RON/87 AKI. L'utilisation d'une essence d'un indice d'octane inférieur peut entraîner des cognements, et donc endommager le moteur.

Huile deux temps

- Pour un résultat et un fonctionnement optimaux, utilisez de l'huile deux temps Husqvarna.
- Si l'huile deux temps Husqvarna n'est pas disponible, utilisez une huile deux temps de haute qualité pour moteurs refroidis à l'air. Contactez votre atelier d'entretien pour sélectionner l'huile appropriée.



REMARQUE: N'utilisez pas d'huile deux temps pour les moteurs hors-bord refroidis par eau (huile outboard). N'utilisez pas d'huile pour moteurs à quatre temps.

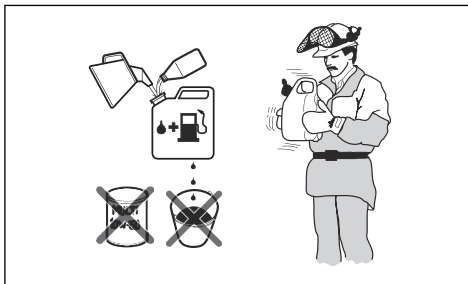
Pour mélanger l'essence et l'huile deux temps

Essence, en litres	Huile deux temps, en litres
	2 % (50:1)
5	0,10
10	0,20
15	0,30
20	0,40



REMARQUE: lorsque vous mélangez de faibles quantités de carburant, de petites erreurs peuvent influencer considérablement sur le rapport de mélange. Mesurez

soigneusement la quantité d'huile et assurez-vous que vous obtenez le mélange correct.



- Remplissez la moitié de la quantité d'essence dans un récipient propre et adapté pour l'essence.
- Ajoutez la quantité totale d'huile.
- Mélangez en secouant le mélange de carburant.
- Ajoutez le reste de l'essence dans le récipient.
- Mélangez avec précaution en secouant le récipient.



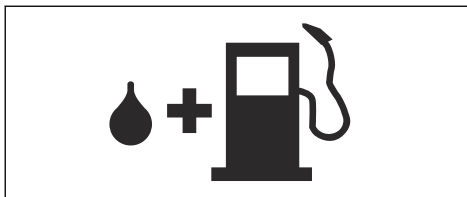
REMARQUE: Ne mélangez jamais plus d'un mois de carburant à chaque fois.

Pour remplir le réservoir de carburant



AVERTISSEMENT: Respectez la procédure suivante pour votre sécurité.

- Arrêtez le moteur et laissez-le refroidir.
- Essuyez le pourtour du bouchon du réservoir de carburant.



- Secouez le conteneur et assurez-vous que le carburant est complètement mélangé.
- Déposez lentement le couvercle du réservoir de carburant pour relâcher la pression.
- Remplissez le réservoir de carburant.



REMARQUE: Assurez-vous qu'il n'y a pas de trop de carburant dans le réservoir de carburant. Le carburant se dilate lorsqu'il devient chaud.

6. Serrez soigneusement le bouchon du réservoir de carburant.
7. Nettoyez tout déversement de carburant sur et autour du produit.
8. Positionnez le produit à au moins 3 m/10 pi de la zone et de la source du remplissage avant de démarrer le moteur.

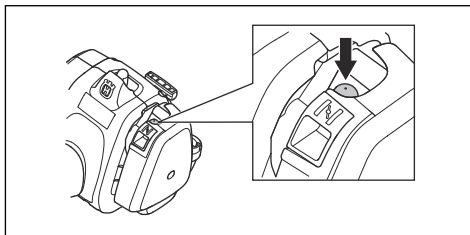
Remarque: Pour connaître l'emplacement du réservoir de carburant sur votre produit, reportez-vous à la section *Aperçu du produit à la page 201*.

Pour effectuer les contrôles nécessaires avant l'utilisation

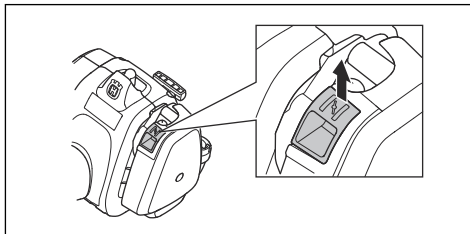
1. Assurez-vous qu'aucune pièce du produit n'est manquante, endommagée, desserrée ou usée.
2. Assurez-vous que les écrous, les vis et les boulons sont serrés.
3. Assurez-vous que la tête de désherbage n'est pas endommagée.
4. Assurez-vous que le filtre à air n'est pas bouché.
5. Assurez-vous que les dispositifs de sécurité sur le produit ne sont pas défectueux.
6. Assurez-vous que le produit ne présente aucune fuite de carburant.

Pour démarrer un moteur froid

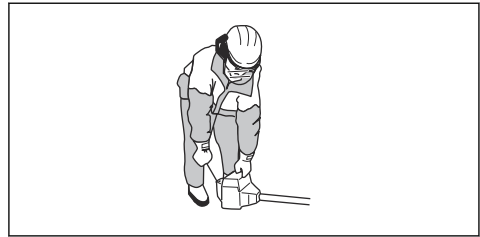
1. Appuyez 10 fois sur la poire de la pompe à carburant.



2. mettez la commande de starter sur la position de starter.



3. Plaquez l'appareil contre le sol à l'aide de votre main gauche.



REMARQUE: Ne marchez pas sur le produit.

4. Tirez lentement la poignée du câble du démarreur avec la main droite jusqu'à sentir une résistance. Tirez ensuite rapidement et avec force la poignée du câble de démarreur jusqu'à ce que le moteur démarre ou tente de démarrer.



AVERTISSEMENT: N'enroulez pas le câble du démarreur autour de votre main.

5. Mettez ensuite la commande de starter sur la position de fonctionnement.
6. Si le moteur démarre, appuyez légèrement sur la gâchette d'accélération et laissez le moteur tourner pendant 60 secondes pour qu'il se réchauffe. Si le moteur ne démarre pas, tirez sur la poignée du câble de démarreur jusqu'à ce que le moteur démarre. Ensuite, appuyez légèrement sur la gâchette d'accélération et laissez le moteur tourner pendant 60 secondes pour qu'il se réchauffe.



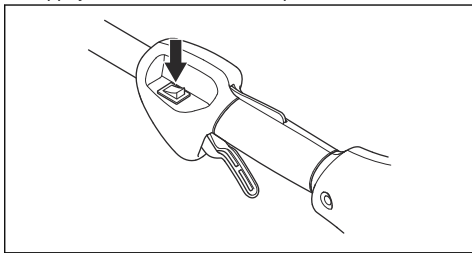
REMARQUE: Ne tirez pas complètement sur le câble du démarreur et ne lâchez pas la poignée du câble de démarreur. Cela peut endommager le produit. Relâchez lentement le câble du démarreur.

Pour démarrer un moteur chaud

1. Appuyez 10 fois sur la poire de la pompe à carburant.
2. Tirez le câble du démarreur jusqu'à ce que le moteur démarre.

Pour arrêter le produit

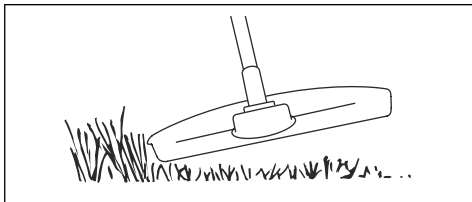
- Appuyez sur le bouton d'arrêt pour arrêter le moteur.



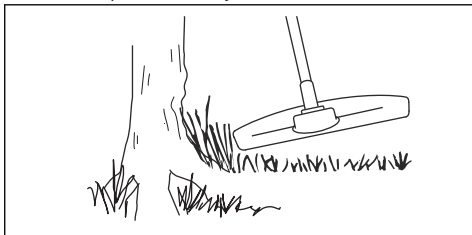
Remarque: Le bouton d'arrêt revient automatiquement à sa position initiale.

Pour tondre l'herbe

1. Maintenez la tête de désherbage juste au-dessus du sol et inclinez-la. Ne poussez pas le fil de coupe dans l'herbe.



2. Réduisez la longueur du fil de coupe de 10-12 cm (4-4,75 po).
3. Diminuez la vitesse du moteur afin de limiter le risque d'endommager les plantes.
4. Baissez le régime à 80 % lorsque vous coupez l'herbe à proximité d'objets.



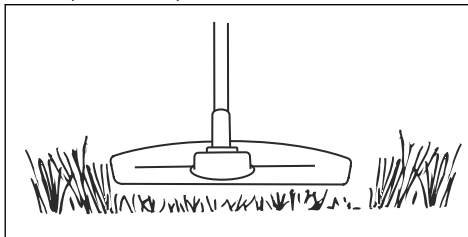
Pour désépaissir l'herbe avec une lame à herbe

1. N'utilisez pas les lames et les couteaux à herbe pour les tiges ligneuses.
2. La lame à herbe s'utilise pour tous les types d'herbe haute ou épaisse.

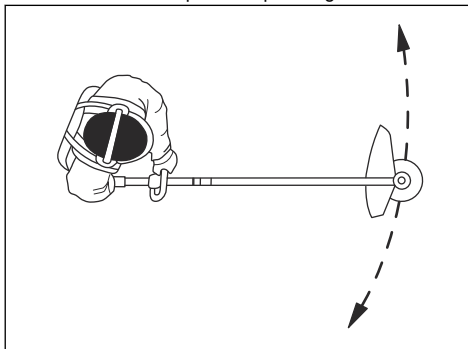
3. Fauchez l'herbe d'un mouvement de balancier latéral, le mouvement de droite à gauche constituant la fauche et le mouvement de gauche à droite le retour. Faites travailler la lame du côté gauche (secteur 8 h à 12 h).
4. Si on penche légèrement la lame vers la gauche pendant le débroussaillage, l'herbe coupée est disposée en bandes, ce qui facilite le ramassage, par exemple lors du ratissage.
5. Essayez d'adopter un rythme de travail régulier. Adoptez une position stable, les pieds écartés. Faites un pas en avant après le mouvement de retour et reprenez la même position stable.
6. Laissez le bol de garde au sol. Son rôle est de protéger la lame contre tout contact avec le sol.
7. Réduisez les risques d'enroulement des matériaux autour de la lame en travaillant toujours à plein régime et en évitant de toucher le matériel végétal coupé au cours du mouvement de retour.
8. Arrêtez le moteur, ouvrez le harnais et posez la machine par terre avant de rassembler le matériel végétal coupé.

Pour couper l'herbe

1. Assurez-vous que le fil de coupe est parallèle au sol lorsque vous coupez l'herbe.



2. N'appuyez pas la tête de désherbage sur le sol. Cela peut endommager le produit.
3. Déplacez le produit de gauche à droite pour couper l'herbe. Utilisez le produit à plein régime.



Pour balayer l'herbe

Le débit d'air du fil de coupe en rotation peut être utilisé pour éliminer l'herbe coupée d'une zone.

1. Maintenez la tête de désherbage et le fil de coupe parallèles au sol et au-dessus du sol.
2. Donner les pleins gaz.
3. Déplacez la tête de désherbage d'un côté à l'autre et balayez l'herbe.



AVERTISSEMENT: Nettoyez le capot de la tête de désherbage chaque fois que vous remettez un fil de coupe neuf pour éviter tout déséquilibre et des vibrations dans les poignées. Vérifiez également les autres pièces de la tête de désherbage et nettoyez au besoin.

- Utilisez uniquement des têtes de désherbage et fils de coupe-herbe homologués. Reportez-vous à la section *Accessoires à la page 218*.
- Utilisez une longueur appropriée de fil de coupe-herbe. Un fil de coupe-herbe long utilise plus de puissance moteur qu'un fil de coupe-herbe court.
- Assurez-vous que le couteau monté sur la protection pour l'équipement de coupe n'est pas endommagé.
- Trempez le fil de coupe-herbe dans de l'eau pendant 2 jours avant de le monter sur le produit. Cela permet d'augmenter la durée de vie du fil de coupe-herbe.
- Voir les instructions relatives à l'équipement de coupe pour connaître la procédure de pose du fil adaptée et choisir le diamètre de fil approprié.

Tête de désherbage

- Assurez-vous d'enrouler le fil du coupe-herbe fermement et uniformément autour du tambour pour réduire la vibration.

Entretien

Introduction



AVERTISSEMENT: Avant d'effectuer des travaux d'entretien, vous devez lire et comprendre le chapitre sur la sécurité.

Une formation spécifique est nécessaire pour effectuer tous les travaux d'entretien et de réparation du produit. Nous garantissons qu'il vous est possible d'obtenir des services de réparation et d'entretien effectués par des professionnels. Si votre concessionnaire n'est pas un atelier spécialisé, demandez-lui des informations à propos de l'atelier spécialisé le plus proche.

Calendrier de maintenance

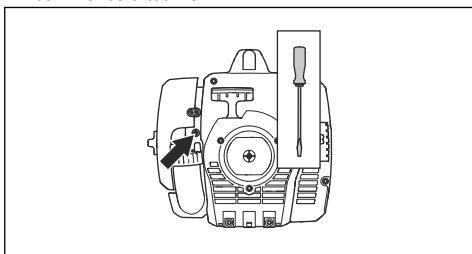
Entretien	Au quoti- dien	Toutes les se- maines	Une fois par mois
Nettoyez la surface externe.	X		
Nettoyez le filtre à air. Remplacez-les si nécessaire.	X		
Examinez la fonction du blocage de l'accélération et de l'accélération.	X		
Examinez l'interrupteur d'arrêt.	X		
Examinez les protections.	X		
Examinez la tête de désherbage.	X		
Examinez le contre-écrou.	X		
Vérifiez qu'il n'y a aucune fuite de carburant.	X		
Assurez-vous que la lame à herbe est alignée sur le centre, qu'elle est bien aiguisée et que ni la lame ni le trou central ne sont pas endommagés.	X		
Assurez-vous que l'équipement de coupe ne tourne pas lorsque le moteur tourne au ralenti.	X		

Entretien	Au quoti- dien	Toutes les se- maines	Une fois par mois
Appliquez de la graisse sur l'arbre démontable.		X	
Vérifiez la poignée du câble du démarreur et le câble du démarreur.		X	
Examinez la graisse pour renvoi d'angle.		X	
Nettoyez la surface extérieure de la bougie. Retirez la bougie et mesurez l'écartement des électrodes. Ajustez l'écartement des électrodes ou remplacez la bougie.		X	
Nettoyez le système de refroidissement.		X	
Nettoyez ou remplacez le pare-étincelles du silencieux.		X	
Nettoyez la surface extérieure du carburateur et la zone autour de celui-ci.		X	
Vérifiez que le filtre à carburant n'est pas contaminé.			X
Vérifiez le tuyau de carburant afin de détecter d'éventuels dommages.			X
Vérifiez tous les câbles et toutes les connexions.			X
Vérifiez l'état d'usure de l'embrayage, des ressorts d'embrayage et du tambour d'embrayage.			X
Remplacez la bougie.			X

Pour régler le régime de ralenti

Assurez-vous que le filtre à air est propre et que le couvercle de filtre à air est fixé avant de régler le régime de ralenti.

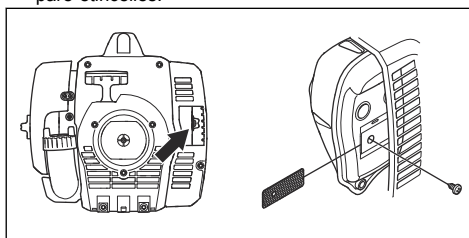
1. Tournez la vis T de régime de ralenti, identifiée par le repère « T », dans le sens des aiguilles d'une montre jusqu'à ce que l'équipement de coupe commence à tourner.



2. Tournez la vis T de régime de ralenti, identifiée par le repère « T », dans le sens contraire des aiguilles d'une montre jusqu'à ce que l'équipement de coupe s'arrête.
3. Le régime de ralenti doit être inférieur à la vitesse lorsque l'équipement de coupe commence à tourner. Le régime de ralenti est correct lorsque le moteur fonctionne sans à-coups dans toutes les positions.

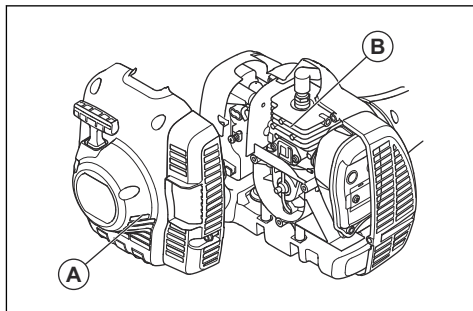
Pour effectuer l'entretien de l'écran pare-étincelles

- Utilisez une brosse métallique pour nettoyer l'écran pare-étincelles.



Pour nettoyer le circuit de refroidissement

- Nettoyez la prise d'air (A) du démarreur et les ailettes de refroidissement (B) du cylindre à l'aide d'une brosse.



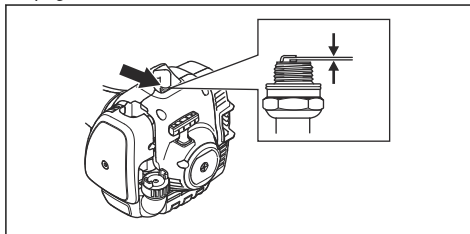
Pour vérifier la bougie



REMARQUE: Utilisez la bougie recommandée. Assurez-vous que la bougie de remplacement est la même que celle fournie par le fabricant. Une bougie inappropriée peut endommager le produit. Assurez-vous que la bougie est installée avec un supprimeur. Pour davantage d'informations, contactez votre atelier d'entretien.

1. Vérifiez la bougie lorsque :
 - a) le moteur manque de puissance ;
 - b) le moteur ne démarre pas facilement ;
 - c) le moteur ne fonctionne pas correctement lorsqu'il tourne au régime de ralenti.
2. Si le moteur a du mal à démarrer ou à fonctionner, vérifiez la présence de matériaux indésirables au niveau de la bougie. Afin de réduire le risque de matériaux indésirables présents sur les électrodes de la bougie :
 - a) assurez-vous que le régime de ralenti est correctement réglé ;
 - b) assurez-vous que le mélange de carburant est correct ;
 - c) assurez-vous que le filtre à air est propre.

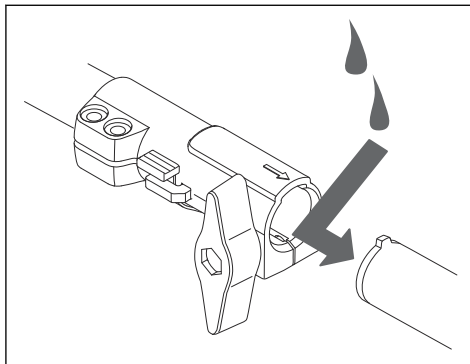
3. Nettoyez la bougie si elle est sale. Vérifiez que l'écartement des électrodes est correct. Reportez-vous à la section *Caractéristiques techniques* à la page 217.



4. Remplacez la bougie lorsque nécessaire.

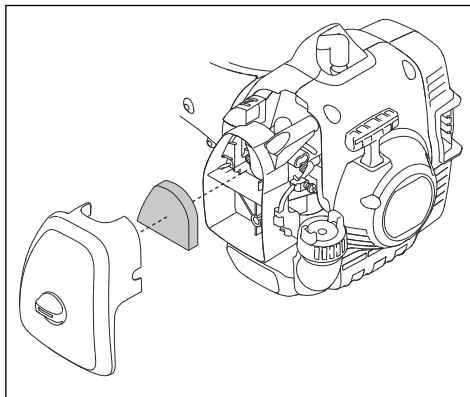
Pour graisser le tube de transmission démontable

- Appliquez de la graisse sur l'extrémité de l'arbre d'entraînement après toutes les 30 heures de fonctionnement.



Pour nettoyer le filtre à air

1. Retirez le couvercle du filtre à air et le filtre à air.



- Nettoyez le filtre à air avec de l'eau chaude savonneuse. Assurez-vous que le filtre à air est sec avant de l'installer.
- Remplacez le filtre à air s'il est trop sale pour le nettoyer complètement. Remplacez toujours un filtre à air endommagé.
- Si votre produit est équipé d'un filtre à air en mousse, appliquez de l'huile pour filtre à air. Appliquez de l'huile pour filtre à air uniquement sur un filtre en mousse. N'appliquez pas d'huile sur un filtre en feutre.

Pour appliquer de l'huile de filtre à air sur un filtre en mousse

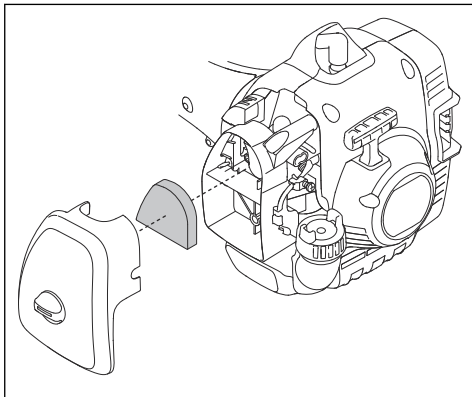


REMARQUE: Utilisez toujours de l'huile spéciale pour filtre à air sur les filtres à air en mousse. N'utilisez pas d'autres types d'huile.

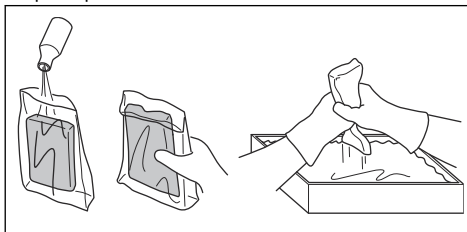


AVERTISSEMENT: Évitez tout contact de la peau avec l'huile.

- Retirez le couvercle du filtre à air et le filtre à air.



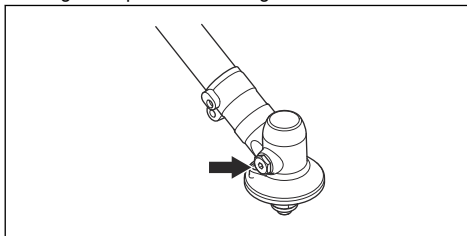
- Mettez le filtre à air dans un sachet en plastique.
- Versez l'huile de filtre à air dans le sachet en plastique.



- Pressez le sachet en plastique pour s'assurer que l'huile graisse uniformément le filtre à air.
- Pressez le filtre à air à l'intérieur du sachet pour enlever le surplus d'huile de filtre à air. Retirez le filtre à air du sachet.
- Installez le filtre à air.

Pour graisser pour le renvoi d'angle

- Assurez-vous que le renvoi d'angle est rempli aux $\frac{3}{4}$ de graisse pour renvoi d'angle.



Dépannage

Le moteur ne démarre pas

Contrôle	Cause possible	Procédure
Cliquets du démarreur.	Les cliquets du démarreur ne peuvent pas se déplacer librement.	Retirez le cache du démarreur et nettoyez autour des cliquets du démarreur.
		Contactez un atelier d'entretien agréé pour vous aider.

Contrôle	Cause possible	Procédure
Réservoir d'essence.	Mauvais type de carburant.	Vidangez le réservoir de carburant et remplissez-le avec le carburant qui convient.
Bougie.	La bougie d'allumage est sale ou humide.	Assurez-vous que la bougie est sèche et propre.
	L'écartement des électrodes de la bougie est incorrect.	Nettoyez la bougie. Vérifiez que l'écartement des électrodes est correct. Assurez-vous que la bougie est dotée d'un supprimeur. Reportez-vous à la section <i>Caractéristiques techniques</i> à la page 217 pour connaître l'écartement des électrodes correct.
	La bougie d'allumage est desserrée.	Serrez la bougie d'allumage.

Le moteur démarre, puis s'arrête à nouveau

Contrôle	Cause possible	Procédure
Réservoir de carburant	Mauvais type de carburant.	Videz le réservoir de carburant et remplissez-le avec le carburant qui convient.
Filtre à air	Le filtre à air est bouché.	Nettoyez le filtre à air.

Transport et stockage

- Laissez toujours le produit refroidir avant de le remiser.
- Pour le stocker et transporter le produit et le carburant, assurez-vous qu'il n'y a pas de fuite ou de vapeurs. Les étincelles ou les flammes nues produites par exemple par des appareils électriques ou chaudières peuvent provoquer un incendie.
- Utilisez uniquement des récipients homologués pour le transport et le stockage de carburant.
- Videz le carburant avant le transport ou avant un remisage prolongé. Mettez le carburant au rebut dans une déchetterie appropriée.
- Fixez la protection de transport pendant le transport et le remisage.
- Déposez le capuchon de la bougie.
- Fixez le produit pour le transporter. Assurez-vous qu'il ne puisse pas bouger.
- Nettoyez et effectuez l'entretien sur le produit avant de le remiser pour une période prolongée.

Caractéristiques techniques

Caractéristiques techniques

	122C	122LK
Moteur		
Cylindrée, cm ³	21,7	21,7
Régime de ralenti, tr/min	2 900	2 900

	122C	122LK
Régime d'emballage maximal recommandé, tr/min	7 200	9 100
Régime de l'arbre de sortie, tr/min	7 200	6 232
Puissance moteur max. selon ISO 8893, kW/ch à tr/min	0,6/0,8 à 7 800	0,6/0,8 à 7 800
Silencieux avec pot catalytique	Oui	Oui
Système d'allumage réglé en fonction du régime	Non	Non
Système d'allumage		
Bougie	HQT-4 672201	HQT-4 672201
Écartement des électrodes, mm	0,5	0,5
Système de carburant		
Capacité du réservoir de carburant, l/cm ³	0,3/300	0,3/300
Poids		
Poids, sans carburant, équipement de coupe et dispositifs de sécurité, kg	4,4	4,8
Émissions sonores ³¹		
Niveau de puissance sonore mesuré, dB (A)	102	104
Niveau de puissance sonore, garanti (L _{WA}), dB(A)	104	108
Niveaux sonores ³²		
Pression sonore équivalente au niveau des oreilles de l'utilisateur, mesurée selon EN/ISO 11806 et ISO 22868, dB(A) :	88	90
Niveaux de vibrations ³³		
Niveau de vibration équivalent (a _{hv, eq}) équipé d'une tête de désherbage, poignée gauche, m/s ²	5,0	3,6
Niveaux de vibration équivalent (a _{hv, eq}) équipé d'une tête de désherbage, poignée droite, m/s ²	3,6	3,5

Accessoires

Accessoires

122C

³¹ Les émissions sonores de l'environnement sont mesurées en puissance sonore (L_{WA}) conformément à la directive CE 2000/14/CE de l'Union européenne. Le niveau de puissance sonore reporté pour le produit a été mesuré avec l'équipement de coupe d'origine qui donne le niveau le plus élevé. Le niveau de puissance sonore garanti diffère du niveau mesuré en cela qu'il prend également en compte la dispersion et les variations d'un produit à l'autre du même modèle, conformément à la directive 2000/14/CE.

³² Les données reportées pour le niveau de pression sonore équivalent pour le produit montrent une dispersion statistique typique (déviation standard) de 1 dB (A).

³³ Les données reportées pour le niveau de vibrations équivalent montrent une dispersion statistique type (déviation standard) de 1 m/s².

Accessoires homologués	Type	Protection de l'accessoire de coupe
Arbre fileté	3/8 R	–
Tête de désherbage	T25 (Ø fil 2,0 - 2,4 mm)	574 47 95-01
	T25C (Ø fil 2,0 - 2,7 mm)	
	R25 (Ø fil 2,0 - 2,4 mm)	
122LK		
Accessoires homologués	Type	Protection de l'accessoire de coupe
Arbre fileté	M10	–
Tête de désherbage	T25 (Ø fil 2,0 - 2,4 mm)	574 19 87-01
	R25 (Ø fil 2,0 - 2,4 mm)	

Les accessoires suivants sont recommandés pour les modèles spécifiés.

Accessoires approuvés	Type	À utiliser avec
Accessoire pour balayeuse	SR600-2	122LK
Accessoire pour taille-haies	HA200	122LK
Accessoire pour taille-haies	HA860	122LK
Accessoire pour tranche-bordures	ECA850, ESA860	122LK
Accessoire pour scie	PA1100	122LK
Accessoire télescopique	EX780	122LK
Accessoire pour motoculteur	CA230	122LK
Accessoire pour souffleur	BA101	122LK
Accessoire pour brosse à picots	BR600	122LK
Accessoire pour aérateur de pelouse	DT600	122LK

Déclaration de conformité

Déclaration de conformité UE

Nous, Husqvarna AB, SE-561 82 Huskvarna, Suède,
tél : +46-36-146500, déclarons sous notre entière
responsabilité que le produit :

Description	Coupe-bordures/débroussailleuse à essence
Marque	Husqvarna
Type/Modèle	122C, 122LK
Identification	Numéro de série à partir de 2022

est entièrement conforme à la réglementation et aux
directives de l'UE suivantes :

Réglementation	Description
2006/42/EC	« relative aux machines »
2014/30/UE	« relative à la compatibilité électromagnétique »
2000/14/EC	« relative au bruit extérieur »
2011/65/UE	« relative à la limitation de l'utilisation de certaines substances dangereuses »

Les normes harmonisées suivantes ont été appliquées :
EN ISO 12100:2010, EN ISO 11806-1:2011, ISO
14982:1998, CISPR 12:2007+A1:2009, EN IEC
63000:2018

RISE SMP Svensk Maskinprovning AB,, Box 7035,
SE-750 07 Uppsala, Sweden, a procédé à des examens
volontaires pour le compte de Husqvarna AB.

Les certificats ont les numéros : 122C - SEC/10/2271,
122LK - SEC/10/2272

RISE SMP Svensk Maskinprovning AB, a également
vérifié la conformité à l'annexe V de la directive du
conseil 2000/14/EG.

Les certificats ont les numéros : 122C - 01/164/068,
122LK - 01/164/067.

Huskvarna 2022-05-13

Claes Losdal, Responsable R&D, Husqvarna AB
Responsable de la documentation technique



A handwritten signature in black ink, appearing to be 'Claes Losdal', is written over a horizontal line.

Sadržaj

Uvod.....	221	Rješavanje problema.....	235
Sigurnost.....	223	Prijevoz i skladištenje.....	236
Sastavljanje.....	227	Tehnički podaci.....	236
Rad.....	229	Dodaci.....	237
Održavanje.....	232	Izjava o sukladnosti.....	239

Uvod

Opis proizvoda

Ovaj je proizvod trimmer za travu s motorom s unutarnjim sagorijevanjem.

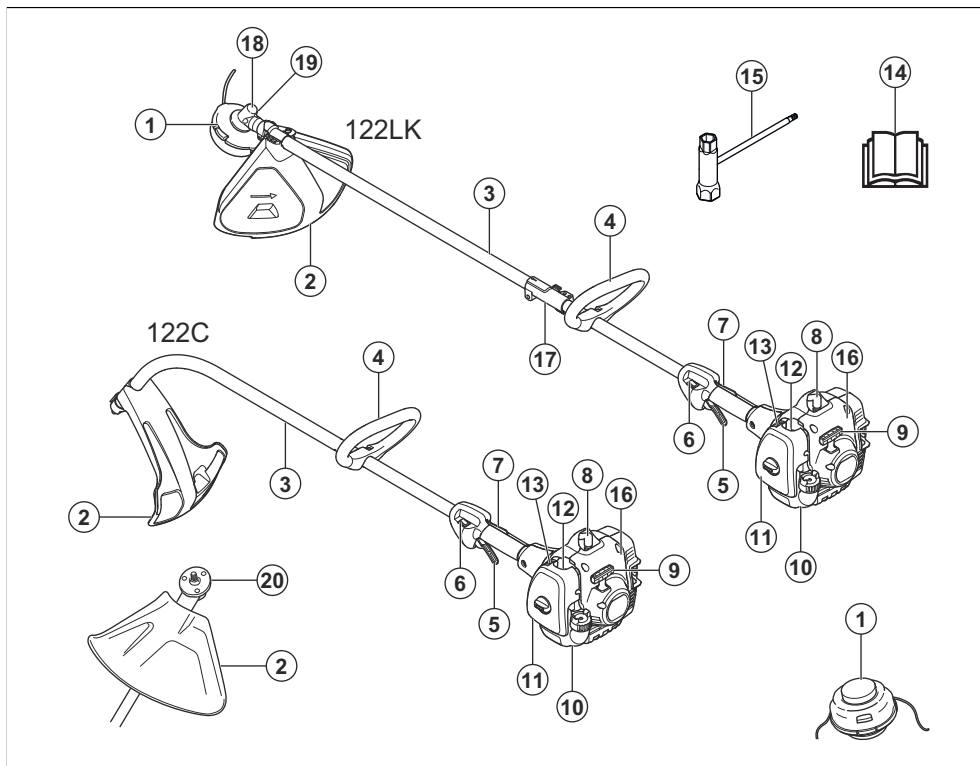
Neprestano radimo na povećanju vaše sigurnosti i učinkovitosti tijekom rada. Za više informacija obratite se servisnom distributeru.

Namjena

Ovaj se proizvod upotrebljava s glavom trimera za košenje trave. Proizvod upotrebljavajte isključivo za uređivanje i čišćenje trave.

Napomena: Nacionalnim propisima mogu se utvrditi ograničenja rada ovog proizvoda.

Pregled proizvoda



1. Glava trimera
2. Štitnik reznog pribora

3. Osovina
4. Okrugla ručka

5. Regulator gasa
6. Prekidač za zaustavljanje
7. Blokada regulatora gasa
8. Kapica svjeće i svjećica
9. Ručica za paljenje
10. Spremnik za gorivo
11. Poklopac filtra zraka
12. Čašica pumpice za gorivo
13. Regulator čoka
14. Priručnik za rukovatelja
15. Kombinirani viličasti ključ
16. Kućište pokretača
17. Spojka osovine
18. Pužni zglob
19. Čep za punjenje maziva, pužni zglob
20. Pogonski disk

Simboli na proizvodu



UPOZORENJE! Ovaj proizvod može biti opasan. Ako se proizvod ne upotrebljava pažljivo i sigurno, može doći do ozljede ili smrti rukovatelja ili promatrača. Da biste spriječili ozljede rukovatelja ili promatrača, pročitajte i poštujte sve sigurnosne upute iz korisničkog priručnika.



Pažljivo pročitajte korisnički priručnik i prije upotrebe dobro usvojite sadržaj.



Na lokacijama na kojima postoji opasnost od padajućih predmeta nosite zaštitnu kacigu. Upotrebljavajte odobrenu zaštitu sluha. Upotrebljavajte odobrenu zaštitu za oči.



Maksimalna brzina izlaznog vratila.



Proizvod ispunjava mjerodavne direktive EZ.



Proizvod može uzrokovati izbacivanje predmeta koji mogu uzrokovati ozljede.



Tijekom rada s proizvodom održavajte minimalnu udaljenost od 15 m od osoba i životinja.



Koristite odobrene zaštitne rukavice.



Nosite čizme za teške uvjete rada otporne na klizanje.



Upotrebljavajte samo savitljivu rezu žicu. Nemojte upotrebljavati metalne rezne nastavke.



Naljepnica emisije buke u okolišu u skladu s direktivama i propisima EU i UK te propisom Novog Južnog Walesa „Zaštita od radova u okolišu (kontrola buke) iz 2017“. Zajamčena razina jačine zvuka proizvoda naznačena je u *Tehnički podaci na stranici 236* i na naljepnici.



Pumpica za gorivo.



Čok.



Ovaj je proizvod u skladu s važećim direktivama UK-a.

ggggttboox

Na natpisnoj pločici je serijski broj. **yyyy** je godina proizvodnje, a **ww** je tje-dan proizvodnje.

Napomena: Drugi simboli/naljepnice na proizvodu odnose se na zahtjeve za certifikaciju na drugim tržišnim područjima.

Standard za emisije Euro V.



UPOZORENJE: Petljanjem po motoru gubite pravo na odobrenje EU-a ovog proizvoda.

Korisnička podrška

Službu za pomoć možete dobiti na telefon: 1-800-487-5951 ili posjetite www.husqvarna.com.

Pouzdanost proizvoda

Sukladno zakonima o pouzdanosti proizvoda nismo odgovorni za oštećenja uzrokovana našim proizvodima ako je:

- proizvod nepravilno popravljen
- proizvod popravljen dijelovima koje nije proizveo proizvođač ili nemaju odobrenje proizvođača
- proizvod ima dodatnu opremu koje nije proizveo proizvođač ili nemaju odobrenje proizvođača

- proizvod nije popravljen u odobrenom servisnom centru ili kod ovlaštene osobe.

Sigurnost

Sigurnosne definicije

Upozorenjima, oprezima i napomenama naglašavaju se posebno važni dijelovi priručnika.



UPOZORENJE: Koristi se kada nepoštivanje uputa iz priručnika može uzrokovati smrt ili ozljede rukovatelja ili promatrača.



OPREZ: Koristi se kada nepoštivanje uputa iz priručnika može uzrokovati oštećenje proizvoda ili drugih materijala u neposrednoj blizini.

Napomena: Koristi se prikaz neophodnih dodatnih informacija za zadanu situaciju.

Opće sigurnosne upute



UPOZORENJE: Prije uporabe proizvoda pročitajte upozoravajuće upute u nastavku.

- Proizvod upotrebljavajte ispravno. Nepravilno korištenje može uzrokovati ozljede ili smrt. Proizvod upotrebljavajte samo za zadatke iz ovog priručnika. Proizvod nemojte upotrebljavati za druge zadatke.
- Poštujte upute iz ovog priručnika. Poštujte sigurnosne simbole i sigurnosne upute. Ako operater ne poštuje upute i simbole, može doći do ozljeda, oštećenja ili smrti.
- Čuvajte ovaj priručnik. Koristite se uputama za sastavljanje, korištenje i održavanje proizvoda. Koristite se uputama za pravilnu ugradnju priključaka i dodatne opreme. Upotrebljavajte isključivo odobrene priključke i dodatnu opremu.
- Nemojte upotrebljavati oštećen proizvod. Pridržavajte se rasporeda održavanja. Provodite samo radove održavanja za koje su u priručniku navedene upute. Svi drugi radovi održavanja moraju se provesti u ovlaštenom servisnom centru.
- Priručnik ne može sadržavati sve situacije koje mogu nastati prilikom upotrebe proizvoda. Budite pažljivi i razumni. Nemojte upotrebljavati ili održavati proizvod ako niste sigurni u situaciju. Informacije zatražite od stručnjaka za proizvod, servisera ili odobrenog servisnog centra.
- Prije sastavljanja, pohrane ili održavanja proizvoda odspojite kabel svjećice.
- Nemojte upotrebljavati proizvod ako su mu promijenjene početne specifikacije. Nemojte mijenjati dio proizvoda bez odobrenja proizvođača. Upotrebljavajte isključivo dijelove s odobrenjem proizvođača. Nepravilno održavanje može uzrokovati ozljede ili smrt.
- Nemojte udisati pare motora. Dugotrajno udisanje ispušnih para motora opasnost je za zdravlje.
- Proizvod nemojte pokretati u zatvorenom prostoru ili u blizini zapaljivog materijala. Ispušne pare su vruće i mogu sadržavati vruće iskre koje mogu uzrokovati požar. Nedovoljan protok zraka može uzrokovati ozljede ili smrt zbog gušenja ili trovanja ugljičnim monoksidom.
- Prilikom korištenja proizvoda motor stvara elektromagnetsko polje. Elektromagnetsko polje može oštetiti medicinske implantate. Prije uporabe proizvoda obratite se liječniku ili proizvođaču medicinskog implantata.
- Djeci nemojte dopustiti korištenje proizvoda. Osobama koje nisu upoznate s uputama nemojte dopustiti upotrebu proizvoda.
- Osobu smanjenih fizičkih ili mentalnih sposobnosti obavezno nadzirite tijekom upotrebe proizvoda. Cijelo vrijeme mora biti prisutna odgovorna odrasla osoba.
- Proizvod zaključajte u prostor u koji je djeci i neovlaštenim osobama onemogućen pristup.
- Proizvod može izbacivati predmete i uzrokovati ozljede. Poštujte sigurnosne upute kako biste smanjili opasnost od ozljede i smrti.
- Nemojte se udaljavati od proizvoda s uključenim motorom.
- Za nezgode je odgovoran korisnik proizvoda.
- Prije upotrebe proizvoda provjerite jesu li njegovi dijelovi neoštećeni.
- Prije korištenja proizvoda provjerite jeste li od drugih osoba ili životinja udaljeni najmanje 15 m (50 stopa). Osobe u neposrednoj okolini morate obavijestiti o namjeri korištenja proizvoda.
- Pogledajte nacionalne ili lokalne zakone. Njima u određenim uvjetima može biti spriječeno ili ograničeno korištenje proizvoda.
- Proizvod nemojte upotrebljavati kada ste izmoreni ili pod utjecajem alkohola, droga ili lijekova. To može negativno utjecati na vaš vid, opreznost, sposobnost rasuđivanja ili koordinaciju.

Sigurnosne upute za sastavljanje



UPOZORENJE: Prije uporabe proizvoda pročitajte upozoravajuće upute u nastavku.

- Prije sastavljanja ovog proizvoda sa svjeće uklonite lulicu svjeće.
- Koristite odobrene zaštitne rukavice.
- Pravilno sastavite poklopac i osovinu prije pokretanja motora.

Sigurnosne upute za rad

- Prije korištenja proizvoda provjerite je li u potpunosti sastavljen.
- Proizvod prije pokretanja pomaknite za 3 m (10 stopa) od mjesta punjenja spremnika za gorivo. Proizvod postavite na ravnu površinu. Rezni priključak ne smije dodirivati tlo ili druge predmete.
- Proizvod može uzrokovati izbacivanje predmeta koji mogu ozlijediti oči. Prilikom upotrebe stroja obavezno upotrebljavajte odobrenu zaštitu za oči.
- Budite pažljivi, tijekom rada proizvodu se može približiti dijete bez vašeg znanja.
- Proizvod nemojte upotrebljavati ako se u radnom području zadržavaju druge osobe. Zaustavite proizvod ako druga osoba pristupi radnom području.
- Obavezno kontrolirajte proizvod.
- Nemojte upotrebljavati proizvod ako ne možete primiti pomoć u slučaju nezgode. Prije korištenja proizvoda obavezno obavijestite druge osobe kako namjeravate upotrebljavati proizvod.
- Nemojte se okretati s proizvodom prije nego provjerite ima li drugih osoba ili životinja u sigurnosnom području.
- Prije početka iz radnog područja uklonite sav neželjeni materijal. Ako rezni priključak udari u predmet, može ga izbaciti i uzrokovati ozljedu ili oštećenje. Neželjeni materijal može se omotati oko reznog nastavka i oštetiti ga.
- Proizvod nemojte koristiti po lošem vremenu (magla, kiša, jaki vjetar, opasnost od grmljavine ili drugi nepovoljni vremenski uvjeti). Loše vrijeme može uzrokovati opasne uvjete (poput skliskih površina).
- Provjerite slobodu kretanja i radite u stabilnom položaju.



- Prilikom rada s proizvodom osigurajte se od pada. Tijekom rada s proizvodom nemojte ga naginjati.
- Proizvod obavezno držite s obje ruke. Proizvod držite na desnoj strani tijela.



- Proizvod upotrebljavajte s reznim priključkom ispod razine struka.
- Ako je regulator čoka u položaju čoka pri pokretanju motora, rezni priključak počinje se okretati.
- Nakon zaustavljanja motora nemojte dodirivati konusni zupčanik. Konusni zupčanik je vruć nakon zaustavljanja motora. Vruća područja mogu uzrokovati ozljede.
- Prije prenošenja proizvoda zaustavite motor.
- Proizvod nemojte spuštati uz uključeni motor.
- Prije uklanjanja neželjenog materijala s proizvoda zaustavite motor i pričekajte na zaustavljanje reznog priključka. Prije nego vi ili pomoćnik počnete uklanjati rezni materijal, pričekajte na zaustavljanje reznog priključka.

Oprema za osobnu zaštitu



UPOZORENJE: Prije upotrebe proizvoda pročitajte upozoravajuće upute u nastavku.

- Prilikom uporabe proizvoda uvijek upotrebljavajte odobrenu osobnu zaštitnu opremu. Oprema za osobnu zaštitu ne može u potpunosti spriječiti ozljede, no smanjuje stupanj ozljede u slučaju nezgode. Pri odabiru odgovarajuće opreme zatražite pomoć ovlaštenog trgovca.
- Upotrebljavajte zaštitnu kacigu ako postoji opasnost od pada predmeta.
- Upotrebljavajte odobrenu zaštitu sluha koja osigurava odgovarajuće prigušenje zvuka. Dugotrajno izlaganje buci može uzrokovati trajno oštećenje sluha.
- Upotrebljavajte odobrenu zaštitu za oči. Ako nosite vizir, morate nositi i odobrene zaštitne naočale. Odobrene zaštitne naočale moraju ispunjavati normu ANSI Z87.1 za SAD ili EN 166 za države EU-a.
- Upotrijebite vizir za zaštitu lica. Vizir nije dovoljan u zaštiti očiju.



- Prema potrebi nosite rukavice, primjerice prilikom pričvršćenja, pregleda ili čišćenja rezne opreme.
- Nosite čvrste protuklizne čizme.
- Nosite odjeću napravljenu od čvrstog materijala. Uvijek nosite teške duge hlače i duge rukave. Nemojte nositi široku odjeću koja može zapinjati za grane i prutove. Nemojte nositi nakit, kratke hlače, sandale ili biti bos. Kosu podignite iznad ramena.



- Imajte u blizini pribor za prvu pomoć.



Sigurnosne upute za proizvod

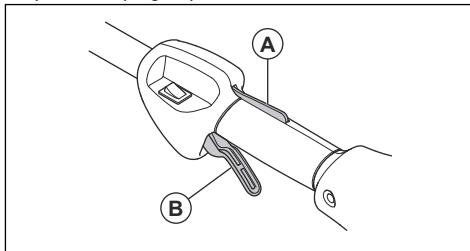


UPOZORENJE: Prije uporabe proizvoda pročitajte upozoravajuće upute u nastavku.

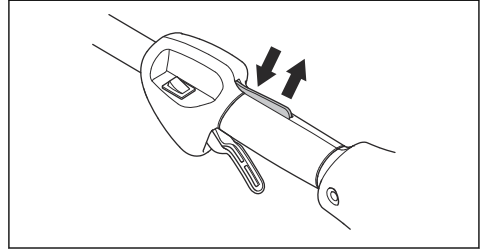
- Nemojte koristiti proizvod s oštećenim zaštitnim uređajima.
- Redovito pregledavajte sigurnosne uređaje. Pogledajte *Raspored održavanja na stranici 232*.
- Ako su sigurnosni uređaji neispravni, obratite se Husqvarna servisnom zastupniku.

Provjera blokade regulatora gasa

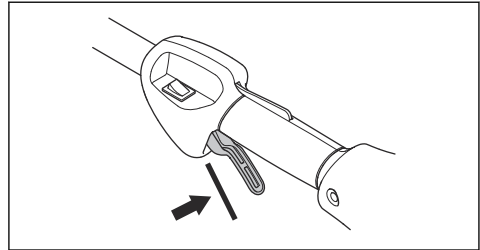
1. Provjerite kreću li se slobodno blokada regulatora gasa (A) i regulator gasa (B) te funkcionira li povratna opruga ispravno.



2. Pritisnite blokadu regulatora gasa pa provjerite vraća li se po otpuštanju u početni položaj.



3. Provjerite je li regulator gasa blokiran u praznom hodu pri otpuštanju blokade regulatora gasa.



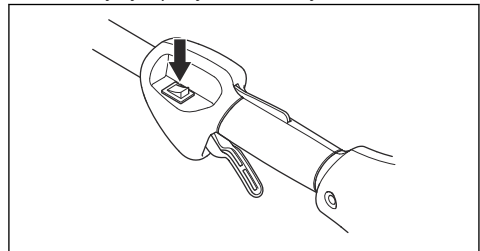
4. Pokrenite proizvod i primijenite puni gas.
5. Pustite regulator gasa i provjerite zaustavljaju li se oštrice i ostaju li mirovati.



UPOZORENJE: Ako se oštrice okreću kada se regulator nalazi u položaju za prazni hod, potrebno je izmijeniti postavke praznog hoda rasplinjača. Pogledajte *Podešavanje broja okretaja u praznom hodu na stranici 233*.

Provjera sklopke za zaustavljanje

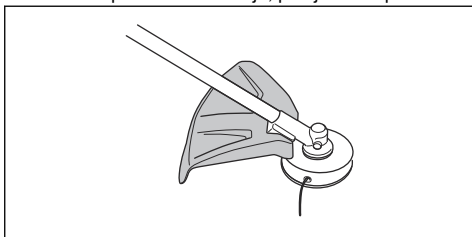
1. Pokrenite motor.
2. Sklopku za zaustavljanje pomaknite u položaj za zaustavljanje i provjerite zaustavlja li se motor.



Provjera štitnika za rezni nastavak

Štitnik za rezni nastavak zaustavlja predmete koji se izbacuju prema rukovatelju. Također sprječava ozljede koje nastaju pri dodiru reznog nastavka.

1. Zaustavite motor.
2. Vizualno potražite oštećenja, primjerice napukline.



3. Ako je štitnik za rezni pribor oštećen, zamijenite ga.

Prigušivač

- Nemojte upotrebljavati motor ako je prigušivač oštećen. Oštećen prigušivač povećava razinu buke i opasnost od požara. Imajte protupožarni aparat u blizini.
- Redovno provjeravajte pričvršćenost prigušivača za proizvod.
- Kada je motor uključen nemojte dodirivati motor ili prigušivač. Motor ili prigušivač nemojte dodirivati ni neposredno nakon zaustavljanja motora. Vruće površine mogu uzrokovati ozljede.
- Vrući prigušivač može uzrokovati požar. Budite pažljivi ako proizvod upotrebljavate u blizini zapaljivih tekućina ili para.
- Ako je prigušivač oštećen, nemojte dodirivati njegove dijelove. Dijelovi mogu sadržavati kancerogene kemikalije.

Rezna oprema



UPOZORENJE: Prije uporabe proizvoda pročitajte upozoravajuće upute u nastavku.

- Provodite redovno održavanje. Redovno pregledavajte reznu opremu u ovlaštenom servisnom centru radi prilagodbi ili popravaka.
 - Time povećavate učinkovitost rezne opreme.
 - Tako produljujete vijek trajanja priključaka.
 - Također smanjujete opasnost od nezgoda.
- Koristite isključivo odobreni štitnik rezne opreme. Pogledajte odjeljak *Dodaci na stranici 237*.
- Nemojte upotrebljavati oštećene rezne priključke.

Sigurnost pri rukovanju s gorivom



UPOZORENJE: Prije uporabe proizvoda pročitajte upozoravajuće upute u nastavku.

- Gorivo nemojte miješati u zatvorenom prostoru ili u blizini izvora topline.

- Nemojte pokretati proizvod ako u njemu ima goriva ili motornog ulja. Uklonite neželjeno gorivo/ulje i pričekajte na sušenje proizvoda. Uklonite neželjeno gorivo iz proizvoda.
- Ako gorivo proljeće po odjeći, odmah ju zamijenite.
- Gorivu nemojte dopustiti kontakt s tijelom jer može uzrokovati ozljede. Ako dođe do kontakta goriva s tijelom, sapunom i vodom isperite gorivo.
- Nemojte pokretati motor ako ste po proizvodu ili tijelu prollili gorivo.
- Nemojte pokretati proizvod ako motor propušta. Redovito pregledavajte ima li na motoru propuštanja.
- Budite pažljivi s gorivom. Gorivo je zapaljivo, a pare su eksplozivne i mogu uzrokovati ozljede i smrt.
- Nemojte udisati pare goriva, one mogu uzrokovati ozljede. Osigurajte dovoljan protok zraka.
- U blizini goriva ili motora nemojte pušiti.
- U blizini goriva ili motora nemojte stavljati vruće predmete.
- Nemojte ulijevati gorivo kada je motor uključen.
- Prije ulijevanja goriva provjerite je li motor hladan.
- Prije ulijevanja goriva polako otvorite čep spremnika goriva i pažljivo ispuštite tlak.
- Osigurajte dovoljan protok zraka pri ulijevanju ili miješanju goriva (gorivo i ulje za dvotaktne motore) ili pražnjenju spremnika za gorivo.
- Pare goriva i ulja vrlo su zapaljive te pri udisanju ili kontaktu s kožom mogu uzrokovati ozbiljne ozljede. Stoga oprezno rukujte i gorivom osigurajte dovoljan protok zraka.
- Pažljivo zategnite čep spremnika goriva kako ne biste uzrokovali požar.
- Prije pokretanja proizvod odmaknite najmanje 3 m (10 stopa) od mjesta punjenja spremnika.
- U spremnik za gorivo nemojte uliti previše goriva.
- Provjerite ima li propuštanja pri pomicanju proizvoda ili posude za gorivo.
- Proizvod ili posudu za gorivo nemojte stavljati u blizinu otvorenog plamena, iskri ili lampica. U prostoru za skladištenje ne smije biti otvorenog plamena.
- Za prijenos ili skladištenje goriva koristite isključivo odobrene posude.
- Prije dugotrajnog skladištenja ispraznite spremnik za gorivo. Poštujte lokalne zakone o lokaciji zbrinjavanja goriva.
- Očistite proizvod prije dugotrajnog skladištenja.
- Prije skladištenja stroja uklonite lulicu svjećice da biste spriječili slučajno pokretanje motora.

Sigurnosne upute za održavanje



UPOZORENJE: Prije korištenja proizvoda pročitajte upozoravajuće upute u nastavku.

- Zaustavite motor i uvjerite se kako se rezni nastavak zaustavio pa pustite proizvod da se ohladi prije provođenja održavanja.
- Odvojite lulu svjeće prije provođenja održavanja.
- Ispušni plinovi iz motora sadrže ugljikov monoksid, vrlo opasan otrovni plin bez mirisa koji može uzrokovati smrt. Proizvod nemojte pogoniti u zatvorenom ili uskom prostoru.
- Ispušne pare motora vruće su i mogu sadržavati vruće iskre. Proizvod nemojte pogoniti u zatvorenom prostoru ili u blizini zapaljivog materijala.
- Dodaci i izmjene proizvoda bez odobrenja proizvođača mogu uzrokovati ozbiljne ozljede ili smrt. Nemojte mijenjati proizvod. Obavezno upotrebljavajte originalne dodatke.
- Ako se održavanje ne provodi ispravno i redovno, povećava se opasnost od ozljede i oštećenja proizvoda.
- Održavanje provodite samo prema preporukama iz korisničkog priručnika. Sva druga servisiranja prepustite ovlaštenom serviseru tvrtke Husqvarna.
- Redovno servisirajte proizvod kod ovlaštenog serviser tvrtke Husqvarna.
- Zamijenite oštećene, istrošene ili polomljene dijelove.
- Upute za pravilno umetanje flaksa trimera odgovarajućeg promjera potražite u uputama za rezne priključke.
- Zupce noža održavajte pravilno naoštrenima. Pridržavajte se naših preporuka. Također pogledajte upute na ambalaži noža.

Sastavljanje

Uvod



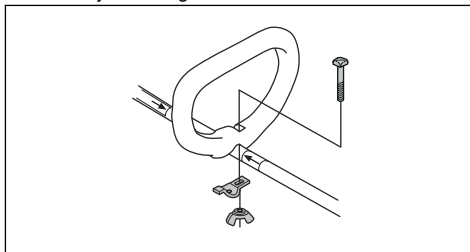
UPOZORENJE: Prije sastavljanja proizvoda morate pročitati i usvojiti poglavlje o sigurnosti.



UPOZORENJE: Prije sastavljanja proizvoda sa svjeće uklonite kabel svjeće.

Postavljanje okrugle ručke

1. Postavite okruglu ručku na osovinu u skladu s ilustracijom i zategnite.

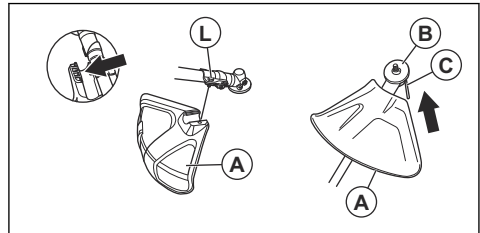


2. Okruglu ručku morate pričvrstiti između strelica na osovini.

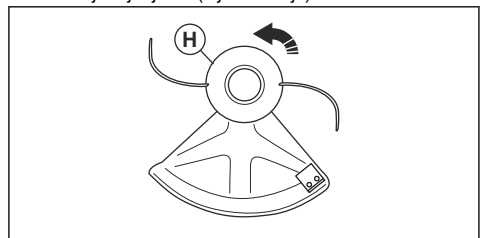
Pričvršćivanje štitnika reznog pribora i glave trimera (ravna osovina)

1. Štitnik reznog pribora (A) vijkom (L) pričvrstite za osovinu.
2. Pogonski disk (B) pričvrstite na izlaznu osovinu.
3. Okrećite izlaznu osovinu dok se otvor na pogonskom disku ne poravnava s otvorom na kućištu mjenjača.

4. U otvor umetnite mali odvijač (C) kako biste zabravili osovinu.

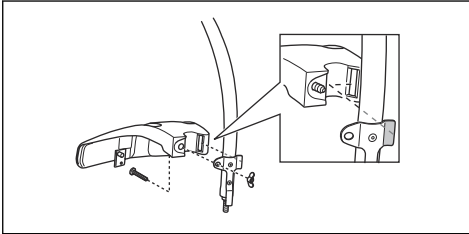


5. Glavu trimera (H) okrećite u smjeru suprotnom od kazaljke na satu kako biste glavu trimera pritegnuli uz kutiju mjenjača. (Lijevi navoji.)

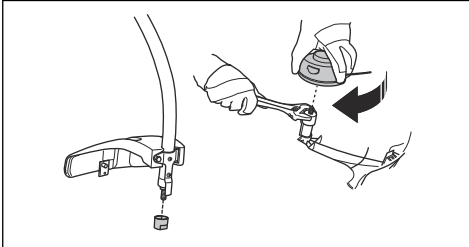


Pričvršćivanje štitnika rezne opreme i glave trimera (zaobljena osovina)

1. Pričvrstite štitnik. Zategnite maticu.



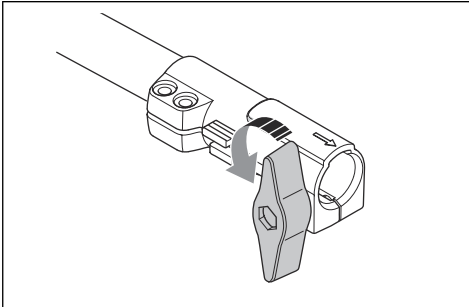
2. Pričvrstite čašicu za zaštitu od prašine na osovinu.



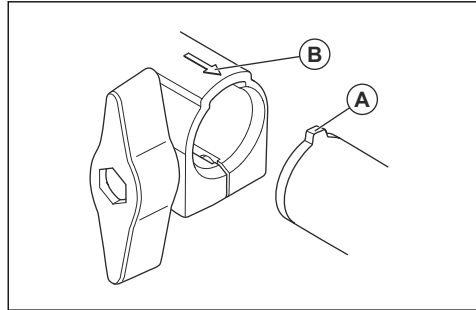
3. Prilagodljivim ključem zadržite čep za zaštitu od prašine kako biste se uvjerali da se osovina ne okreće.
4. Pričvrstite glavu trimera na osovinu. Okrećite glavu trimera u smjeru suprotnom od kazaljke na satu.

Sastavljanje dvodijelne osovine

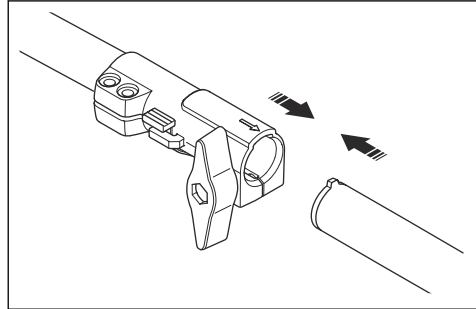
1. Okrećite kotačić da biste otpustili spojnicu.



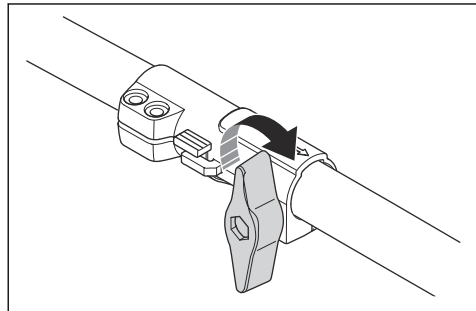
2. Poravnajte jezičac (A) sa strelicom (B) na spoju.



3. Gurnite osovinu u spoj dok ne klikne na mjesto.

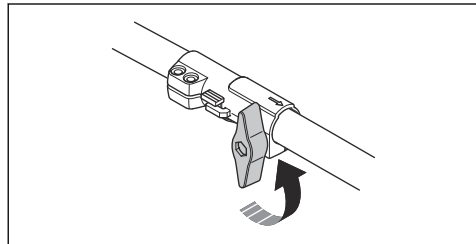


4. Pritegnite kotačić do kraja.



Rastavljanje dvodijelne osovine

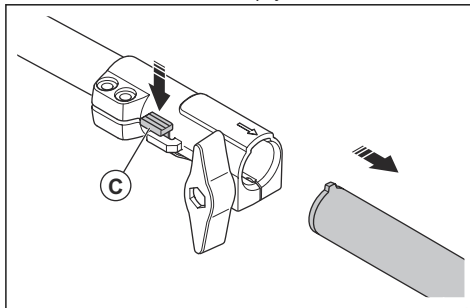
1. Okrenite kotačić za 3 ili više okretaja kako biste otpustili spojnicu.



2. Pritisnite i držite tipku (C).

3. Čvrsto držite kraj osovine na koji je pričvršćen motor.

4. Izvucite dodatak ravno iz spojnice.



Rad

Uvod



UPOZORENJE: Prije rada s proizvodom morate pročitati i usvojiti poglavlje o sigurnosti.

Gorivo

Proizvod ima dvotaktni motor.



OPREZ: Neispravna vrsta goriva može uzrokovati oštećenje motora. Upotrebite mješavinu benzina i ulja za dvotaktne motore.

Prethodno izmiješano gorivo

- Upotrebite Husqvarna prethodno izmiješano alkilatno gorivo za najbolje performanse motora i produljenje njegova životnog vijeka. To gorivo sadrži manje štetnih kemikalija u usporedbi s uobičajenim gorivom koje sadržava štetne ispušne plinove. Količina ostataka nakon sagorijevanja manja je s ovim gorivom, što komponente motora održava čistijima.

Miješanje goriva

Benzin

- Upotrebite kvalitetni bezolovni benzin s maksimalnim udjelom etanola od 10 %.



OPREZ: Nemojte upotrebljavati benzin s oktanskim brojem manjim od 90 RON / 87 AKI. Upotreba nižeg oktanskog broja može prouzročiti lupanje u motoru, što izaziva oštećenja motora.

Ulje za dvotaktne motore

- Za najbolje rezultate i performanse upotrebite Husqvarna ulje za dvotaktne motore.

- Ako ulje za dvotaktne motore tvrtke Husqvarna nije dostupno, upotrijebite neko drugo ulje za dvotaktne motore dobre kvalitete za motore sa zračnim hlađenjem. O odabiru ispravne vrste ulja razgovarajte sa svojim servisnim zastupnikom.



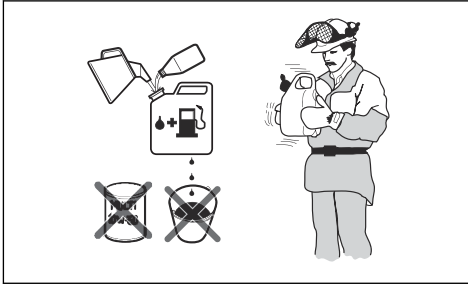
OPREZ: Ne upotrebljavajte ulje za dvotaktne vanbrodske motore hlađene vodom, poznato još i kao ulje za vanbrodske motore. Nemojte upotrebljavati ulje za četverotaktne motore.

Miješanje benzina i ulja za dvotaktne motore

Benzin, litra	Ulje za dvotaktne motore, litra
	2 % (50:1)
5	0,10
10	0,20
15	0,30
20	0,40



OPREZ: Čak i male pogreške mogu drastično utjecati na omjer mješavine kada miješate manje količine goriva. Pažljivo izmjerite količinu ulja kako biste bili sigurni da ćete dobiti ispravnu mješavinu.



1. Polovicu količine benzina ulijte u čisti spremnik za gorivo.
2. Ulijte cijelu količinu ulja.
3. Promiješajte mješavinu goriva.
4. Ulijte preostalu količinu benzina u spremnik.
5. Pažljivo promiješajte mješavinu goriva.



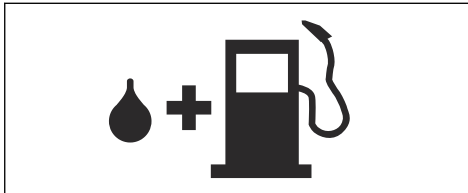
OPREZ: Gorivo ne miješajte za razdoblje dulje od 1 mjeseca.

Punjenje spremnika za gorivo



UPOZORENJE: Pratite postupak koji osigurava vašu sigurnost.

1. Zaustavite motor i pričekajte na hlađenje motora.
2. Očistite područje oko čepa spremnika za gorivo.



3. Protresite spremnik i provjerite je li gorivo u potpunosti izmiješano.
4. Čep spremnika za gorivo uklonite polako kako biste otpustili tlak.
5. Napunite spremnik za gorivo.



OPREZ: U spremniku za gorivo ne smije biti previše goriva. Gorivo se širi kada je vruće.

6. Pažljivo pritegnite čep spremnika za gorivo.
7. Očistite proliveno gorivo s i oko proizvoda.
8. Prije pokretanja motora odmaknite ovaj proizvod 3 m / 10 stopa od mjesta na kojemu nadolijevate gorivo.

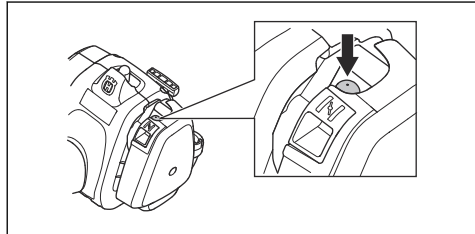
Napomena: Da biste saznali gdje se na vašem proizvodu nalazi spremnik za gorivo, pročitajte odjeljak *Pregled proizvoda na stranici 221.*

Pregled prije pokretanja

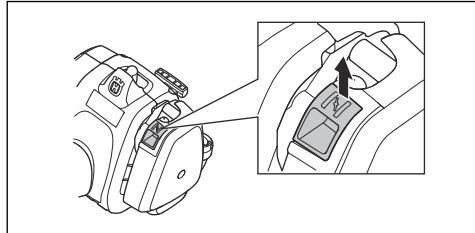
1. Pobrinite se da na proizvodu nema dijelova koji nedostaju, koji su oštećeni, olabavljivi ili pohabani.
2. Provjerite jesu li matice, vijci i svornjaci pritegnuti.
3. Provjerite je li neoštećena glava trimera.
4. Provjerite je li filter zraka začepljen.
5. Provjerite ispravnost sigurnosnih uređaja na proizvodu.
6. Provjerite curi li gorivo iz proizvoda.

Pokretanje hladnog motora

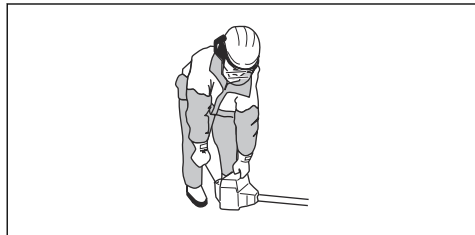
1. 10 puta pritisnite pumpicu za gorivo.



2. Regulator čoka postavite u položaj za čok.



3. Kućište proizvoda lijevom rukom pritisnite uz tlo.



OPREZ: Nemojte nagaziti na proizvod.

4. Svojom desnom rukom polako povlačite ručicu uzeta pokretača sve dok ne osjetite otpor. Potom snažno i brzo povlačite ručicu uzeta pokretača do pokretanja ili pokušaja pokretanja motora.



UPOZORENJE: Nikad ne omotavajte uže pokretača oko šake.

5. Regulator čoka postavite u radni položaj.
6. Ako se motor pokrene, polagano gurnite regulator gasa i pogonite motor približno 60 sekundi kako bi se zagrijao. Ako se motor ne pokrene, povlačite ručicu uzeta pokretača do pokretanja motora. Zatim polagano gurnite regulator gasa i pogonite motor približno 60 sekundi kako bi se zagrijao.



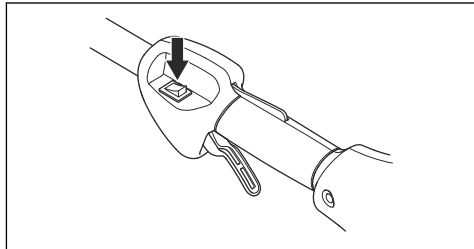
OPREZ: Ne rastežite u potpunosti uže pokretača i ne puštajte ručicu uzeta pokretača. Tako možete oštetiti proizvod. Uže pokretača ispuštajte polako.

Pokretanje zagrijanog motora

1. 10 puta pritisnite pumpicu za gorivo.
2. Povlačite uže za pokretanje do pokretanja motora.

Zaustavljanje proizvoda

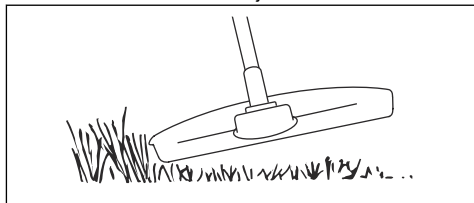
- Za zaustavljanje motora pritisnite prekidač za zaustavljanje.



Napomena: Prekidač za zaustavljanje automatski se vraća u početni položaj.

Podrezivanje trave

1. Glavu trimera držite neposredno iznad tla i pod kutom. Flaks trimera nemojte utiskati u travu.



2. Smanjite duljinu flaksa trimera za 10 – 12 cm / 4 – 4,75 in.
3. Smanjite broj okretaja kako biste smanjili rizik od oštećenja bilja.
4. Ako kosite travu u blizini predmeta, koristite 80 % gasa.

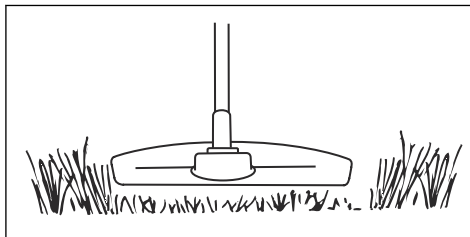


Čišćenje trave s rezačem trave

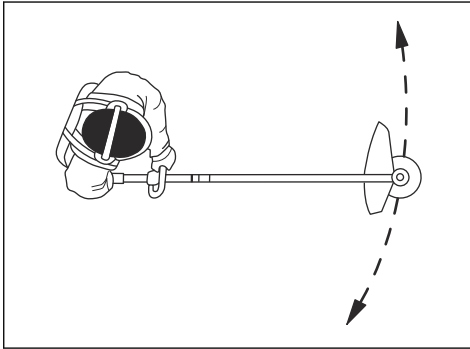
1. Noževi za travu i rezači trave ne smiju se koristiti za stabljike slične drveću.
2. Nož za travu upotrebljava se za sve vrste visoke ili čvrste trave.
3. Trava se kosi poprečnim njihajućim pokretom, pri čemu je pokret s desna na lijevo zamah za čišćenje, a pokret s lijeva na desno povratni zamah. Neka rezanje obavlja lijeva strana noža (između 8 i 12 sati).
4. Ako tijekom čišćenja trave nož nagnete ulijevo, trava se sakuplja na pravcu i lakše ju je sakupiti, primjerice grabljanjem.
5. Nastojite raditi u ritmu. Stanite čvrsto raširenih nogu. Nakon povratnog zamaha pomaknite se prema naprijed i ponovno zauzmite čvrsti stav.
6. Kapa noža treba se lagano naslanjati na tlo. Ona će zaštititi list od dodira sa tлом.
7. Smanjite opasnost od omatanja materijala oko noža radeći uvijek pod punim gasom i izbjegavanjem prethodno pokošenog materijala tijekom povratnog zamaha.
8. Prije sakupljanja pokošenog materijala zaustavite motor, skinite naramenice i spustite stroj na tlo.

Košenje trave

1. Flaks trimera tijekom košenja treba biti paralelan s tлом.



2. Glavu trimera nemojte pritiskati na tlo. Tako možete oštetiti proizvod.
3. Pri košnji trave pomičite proizvod s jedne na drugu stranu. Radite s punim gasom.



Čišćenje trave

Tok zraka rotirajućeg flaksa trimera možete upotrijebiti za uklanjanje odrezane trave iz područja.

1. Glavu trimera i flaks držite paralelno iznad tla.
2. Dajte puni gas.
3. Pomičite glavu trimera s jedne na drugu stranu kako biste počistili travu.



UPOZORENJE: Pri svakom postavljanju novog flaksa trimera očistite poklopac glave trimera kako biste spriječili neuravnoteženost i vibracije na ručkama. Također pregledajte druge dijelove glave trimera i po potrebi ih očistite.

Glava trimera za travu

- Flaks trimera za travu čvrsto i ravnomjerno zategnite oko bubnja kako biste smanjili vibracije.
- Koristite isključivo odobrene glave trimera za travu i flaks trimera za travu. Pogledajte odjeljak *Dodaci na stranici 237*.
- Koristite ispravnu duljinu flaksa trimera za travu. Dugi flaks trimera za travu više opterećuje motor od kratkog flaksa trimera za travu.
- Provjerite ispravnost noža na štitniku reznog pribora.
- Flaks trimera za travu prije postavljanja na proizvod 2 dana natapajte u vodi. Tako produljujete vijek trajanja flaksa trimera za travu.
- Pročitajte upute za rezni pribor da biste se upoznali s točnim postupkom namatanja flaksa i saznali točan promjer flaksa.

Održavanje

Uvod



UPOZORENJE: Prije održavanja morate pročitati i usvojiti poglavlje o sigurnosti.

Za sve radove servisiranja i održavanja na proizvodu potrebna je posebna obuka. Jamčimo dostupnost profesionalnih popravaka i servisa. Ako vaš distributer nije serviser, od njega zatražite informacije o najbližem serviseru.

Raspored održavanja

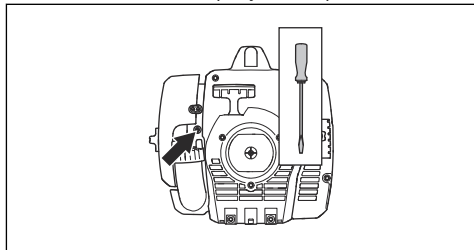
Održavanje	Dnevno	Tjedno	Mjesečno
Očistite vanjsku površinu.	X		
Očistite filter zraka. Ako je to potrebno, zamijenite ih.	X		
Provjerite funkciju blokade regulatora gasa i gas.	X		
Pregledajte prekidač za zaustavljanje.	X		
Pregledajte štitnike.	X		
Pregledajte glavu trimera.	X		
Pregledajte sigurnosnu maticu.	X		
Potražite propuštanja goriva.	X		
Provjerite je li nož za travu poravnat sa središtem, je li oštar te bez oštećenja na njemu ili na središnjem otvoru.	X		

Održavanje	Dnevno	Tjedno	Mjesečno
Rezni pribor ne smije se okretati u praznom hodu.	X		
Podmažite dvodijelnu osovinu.		X	
Pregledajte ručicu užeta pokretača i uže pokretača.		X	
Provjerite mazivo konusnog zupčanika.		X	
Očistite vanjski dio svječiće. Uklonite svječiću i izmjerite razmak elektroda. Prilagodite razmak elektroda ili zamijenite svječiću.		X	
Očistite rashladni sustav.		X	
Očistite ili zamijenite mrežicu za hvatanje iskri na prigušivaču.		X	
Očistite vanjsku površinu rasplinjača i prostor oko njega.		X	
Pregledajte filter za gorivo da nije kontaminiran.			X
Pregledajte ispravnost crijeva za gorivo.			X
Pregledajte sve kabele i priključke.			X
Provjerite istrošenost spojke, opruga spojka i bubnja spojke.			X
Promijenite svječiću.			X

Podešavanje broja okretaja u praznom hodu

Prije podešavanja broja okretaja u praznom hodu provjerite je li filter zraka čist i je li postavljen poklopac filtra.

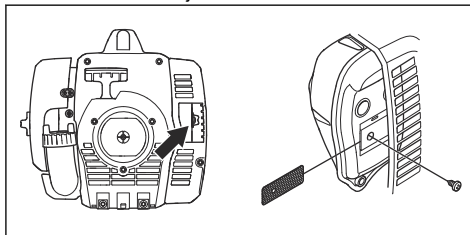
1. Vijak za podešavanje brzine praznog hoda T označen slovom "T" okrećite u smjeru kazaljke na satu sve dok se rezni priključak ne počne okretati.



2. Vijak za podešavanje brzine praznog hoda T označen slovom "T" okrećite suprotno od kazaljke na satu sve dok se rezni priključak ne zaustavi.
3. Broj okretaja motora u praznom hodu mora biti manji od broja okretaja pri kojem se rezni priključak počinje okretati. Broj okretaja motora u praznom hodu ispravan je kada motor radi ugladeno u svim položajima.

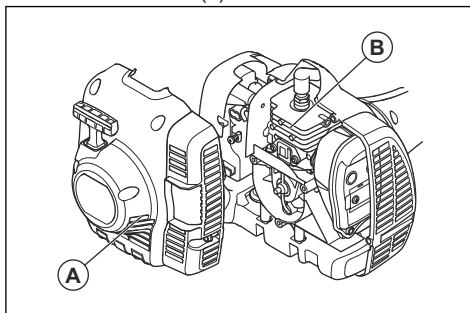
Održavanje mrežice za hvatanje iskri

- Mrežicu za hvatanje iskri očistite žičanom četkicom.



Čišćenje rashladnog sustava

- Četkom očistite dovod zraka (A) na pokretaču i rashladnim rebrima (B) na cilindru.

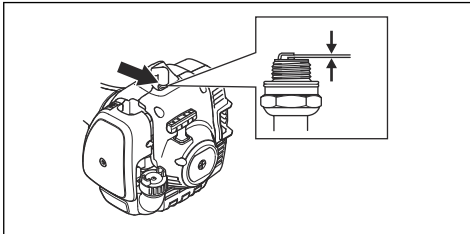


Pregled svjeće



OPREZ: Koristite preporučene svjeće. Zamjena mora biti jednaka dijelu koji je isporučio proizvođač. Neprikladna svjećica može oštetiti proizvod. Provjerite ima li lulica svjećice štitnik od radijskih valova. Za više informacija obratite se servisnom distributeru.

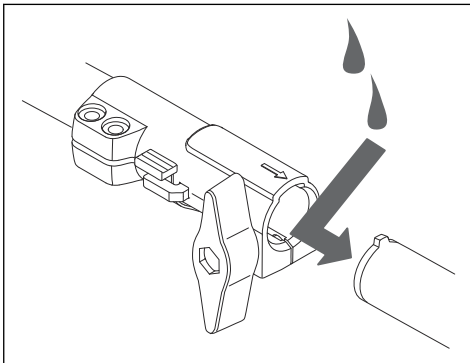
1. Svjećicu pregledajte kada:
 - a) motor nema snage.
 - b) se motor teško pokreće.
 - c) motor ne radi ispravno u praznom hodu.
2. Ako je motor teško koristiti ili održavati u radu, provjerite ima li na svjećici nepoželjnih materijala. Za smanjenje opasnosti od nepoželjnog materijala na elektrodama svjećice:
 - a) provjerite ispravnu podešenost broja okretaja u praznom hodu.
 - b) provjerite ispravnost mješavine goriva.
 - c) provjerite je li filter zraka čist.
3. Očistite zaprljanu svjećicu. Provjerite ispravnost razmaka između elektroda. Pogledajte odjeljak *Tehnički podaci na stranici 236.*



4. Svjećicu zamijenite po potrebi.

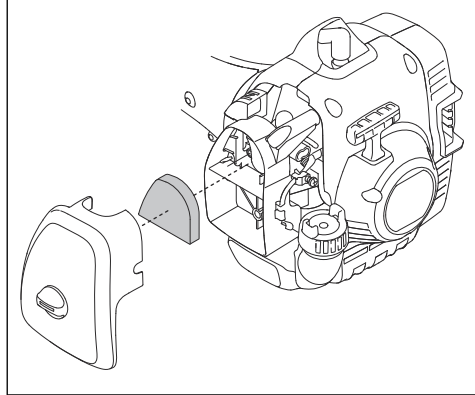
Podmazivanje dvodijelne osovine

- Kraj pogonske osovine podmažite nakon svakih 30 h rada.



Čišćenje filtra zraka

1. Skinite poklopac filtra zraka i izvadite filter zraka.



2. Očistite filter zraka vrućom sapunicom. Filter zraka mora biti suh prije ugradnje.
3. Ako je filter zraka previše onečišćen i ne možete ga u potpunosti očistiti, zamijenite ga. Oštećeni filter zraka obavezno zamijenite.
4. Ako proizvod ima pjenasti filter zraka, koristite ulje za filter zraka. Ulje za filter zraka nanosite samo na pjenasti filter. Ulje nemojte nanositi na filter od filca.

Nanošenje ulja za filter zraka na filter zraka

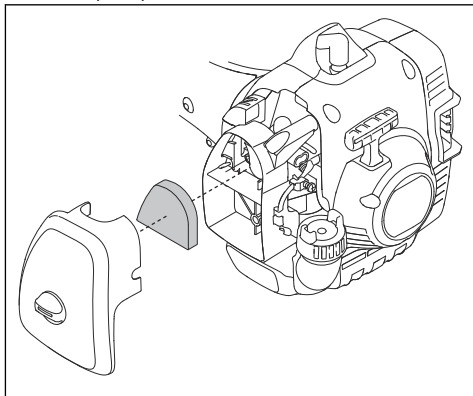


OPREZ: Za pjenaste filtera zraka obavezno koristite posebno ulje za filtere goriva. Nemojte koristiti druge vrste ulja.



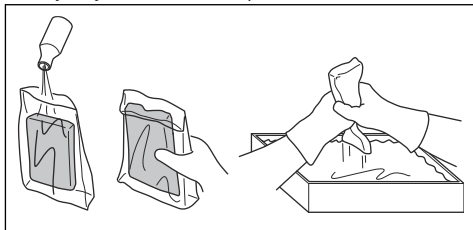
UPOZORENJE: Sprječite kontakt ulja s vašim tijelom.

1. Skinite poklopac filtra zraka i izvadite filter zraka.



2. Filter zraka stavite u plastičnu vrećicu.

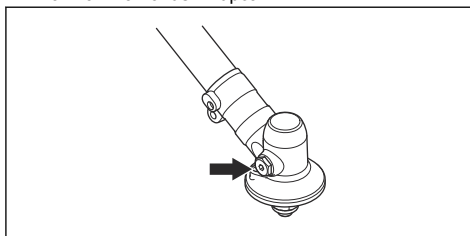
3. Ulijte ulje za filter zraka u plastičnu vrećicu.



4. Pritisnite plastičnu vrećicu kako biste omogućili ravnomjeran raspored ulja u filtru.
5. Pritisnite filter zraka u vrećici kako biste istisnuli nepotrebno ulje iz zračnog filtra. Izvadite filter zraka iz vrećice.
6. Ugradite filter zraka.

Podmazivanje konusnog zupčanika

- Provjerite je su li $\frac{3}{4}$ konusnog zupčanika napunjene mazivom za konusni zupčanik.



Rješavanje problema

Motor se ne pokreće

Provjera	Mogući uzrok	Postupak
Startne kopče.	Startne kopče ne mogu se slobodno pomikati.	Uklonite poklopac pokretača i očistite prostor oko startnih kopči.
		Zatražite pomoć od odobrenog servisnog zastupnika.
Spremnik za gorivo.	Neispravna vrsta goriva.	Ispraznite spremnik za gorivo i ulijte ispravno gorivo.
Svjećica.	Svjećica je prljava ili mokra.	Provjerite je li svjećica suha i čista.
	Razmak elektroda svjećice nije ispravan.	Očistite svjećicu. Provjerite ispravnost razmaka između elektroda. Svjećica mora imati zaštitu od radio valova.
		Pravilan razmak između elektroda potražite u odjeljku <i>Tehnički podaci na stranici 236.</i>
	Svjećica nije zategnuta.	Zategnite svjećicu.

Motor se pokreće, no potom zaustavlja

Provjera	Mogući uzrok	Postupak
Spremnik za gorivo	Neispravna vrsta goriva.	Ispraznite spremnik za gorivo i napunite ga ispravnim gorivom.
Filtar zraka	Filtar zraka je začepljen.	Očistite filtari zraka.

Prijevoz i skladištenje

- Prije nego što pospremite ovaj proizvod, uvijek ga pustite da se ohladi.
- Za prijevoz i skladištenje proizvoda i goriva uvjerite se kako nema propuštanja ili isparavanja. Iskre ili otvoren plamen, primjerice od električnih uređaja ili bojlera, mogu uzrokovati požar.
- Za prijevoz i skladištenje goriva obavezno upotrebljavajte odobrene spremnike.
- Izlijte gorivo prije prijevoza ili prije dugotrajnog skladištenja. Zbrinite gorivo na prikladnoj lokaciji za zbrinjavanje.
- Za transport i skladištenje postavite prijenosni štitnik.
- Skinite lulicu svjeće sa svjeće.
- Pričvrstite proizvod tijekom transporta. Spriječite njegovo pomicanje.
- Prije dugotrajnog skladištenja očistite i servisirajte proizvod.

Tehnički podaci

Tehnički podaci

	122C	122LK
Motor		
Zapremnina cilindra, cm ³	21,7	21,7
Broj okretaja u praznom hodu, o/min	2900	2900
Preporučeni maks. broj okretaja, o/min	7200	9100
Broj obrtaja izlaznog vratila, o/min	7200	6232
Snaga/maks. izlazna snaga motora prema ISO 8893, kW/ks na o/min	0,6/0,8 na 7800	0,6/0,8 na 7800
Prigušivač s katalizatorom	Da	Da
Sustav paljenja s reguliranim brojem okretaja	Ne	Ne
Sustav paljenja		
Svjećica	HQT-4 672201	HQT-4 672201
Razmak elektroda, mm	0,5	0,5
Sustav goriva		
Zapremnina spremnika za gorivo, l/cm ³	0,3/300	0,3/300
Težina		

	122C	122LK
Težina bez goriva, reznog pribora i štitnika, kg	4,4	4,8
Emisija buke ³⁴		
Razina jačine zvuka, izmjerena, dB(A)	102	104
Razina jačine zvuka, zajamčena L _{WA} dB(A)	104	108
Jačine zvuka ³⁵		
Jednakoznačna razina zvuka na uhu rukovatelja, mjerena u skladu s normom EN ISO 11806 i ISO 22868, dB(A):	88	90
Razine vibracije ³⁶		
Ekvivalentna razina vibracije (a _{hv, eq}) opremljeno glavom trimera, lijeva ručica, m/s ²	5,0	3,6
Ekvivalentna razina vibracije (a _{hv, eq}) opremljeno glavom trimera, desna ručica, m/s ²	3,6	3,5

Dodaci

Dodatna oprema

122C		
Odobrena dodatna oprema	Vrsta	Štitnik reznog nastavka
Osovina s navojem	3/8 R	–
Glava trimera	T25 (žica Ø 2,0 – 2,4 mm)	574 47 95-01
	T25 (žica Ø 2,0 – 2,7 mm)	
	R25 (žica Ø 2,0 – 2,4 mm)	
122LK		
Odobrena dodatna oprema	Vrsta	Štitnik reznog nastavka
Osovina s navojem	M10	–
Glava trimera	T25 (žica Ø 2,0 – 2,4 mm)	574 19 87-01
	R25 (žica Ø 2,0 – 2,4 mm)	

³⁴ Emisija buke izmjerena u okolini kao jačina zvuka (L_{WA}) sukladno EZ Direktivi 2000/14/EC. Navedena razina jačine zvuka za ovaj proizvod izmjerena je originalnim reznim priborom daje najveću razinu zvuka. Razlika između zajamčene i izmjerene razine zvuka jest da zajamčena razina uključuje i raspršenje rezultata mjerenja i varijacija između različitih proizvoda istog modela u skladu s Direktivom 2000/14/EZ.

³⁵ Navedeni podaci za ekvivalentnu razinu tlaka zvuka za proizvod obuhvaćaju tipično statističko raspršenje (standardno odstupanje) od 1 dB (A).

³⁶ Podaci o jednakoznačnoj razini vibracije pokazuju tipično statističko raspršenje (standardno odstupanje) od 1 m/s².

Sljedeći nastavci preporučuju se za navedene modele.

Odobreni dodaci	Vrsta	Koristi se uz
Dodatak za čišćenje	SR600-2	122LK
Dodatak za škare za živicu	HA200	122LK
Dodatak za škare za živicu	HA860	122LK
Dodatak za obrezivanje rubnih dijelova	ECA850, ESA860	122LK
Dodatak za pilu	PA1100	122LK
Dodatak za produžetak	EX780	122LK
Dodatak za kultivator	CA230	122LK
Dodatak za puhač	BA101	122LK
Dodatak za četku	BR600	122LK
Dodatak za prozračivač	DT600	122LK

Izjava o sukladnosti

EU izjava o sukladnosti

Mi, Husqvarna AB, SE-561 82 Huskvarna, Švedska, tel.:
+46-36-146500, pod punom odgovornošću izjavljujemo
da proizvod:

Opis	Benzinski trimmer za travu / čistač šikare
Marka	Husqvarna
Vrsta/model	122C, 122LK
Identifikacija	Serijski brojevi od 2022 i noviji

u potpunosti su sukladni sljedećim EU direktivama i
propisima:

Propis	Opis
2006/42/EC	„o strojevima“
2014/30/EU	„o elektromagnetskoj kompatibilnosti“
2000/14/EC	„o vanjskoj buci“
2011/65/EU	„o ograničenju uporabe određenih opasnih tvari“

Primijenjeni su sljedeći standardi:

EN ISO 12100:2010, EN ISO 11806-1:2011, ISO
14982:1998, CISPR 12:2007+A1:2009, EN IEC
63000:2018

Organizacija RISE SMP Svensk Maskinprovning AB,
Box 7035, SE-750 07 Uppsala, Sweden, provela je
dobrovoljno ispitivanje za tvrtku Husqvarna AB.

Certifikati imaju broj: 122C - SEC/10/2271, 122LK -
SEC/10/2272

RISE SMP Svensk Maskinprovning AB, također je
potvrdila usklađenost s dodatkom V. direktive vijeća
2000/14/EG.

Certifikati imaju broj: 122C - 01/164/068, 122LK -
01/164/067.

Huskvarna 2022-05-13



Claes Losdal, Menadžer odjela za istraživanje i razvoj,
Husqvarna AB

Osoba odgovorna za tehničku dokumentaciju



TARTALOMJEGYZÉK

Bevezető.....	240	Hibaelhárítás.....	255
Biztonság.....	242	Szállítás és raktározás.....	255
Összeszerelés.....	246	Műszaki adatok.....	256
Üzemeltetés.....	248	Tartozékok.....	257
Karbantartás.....	252	Megfelelőségi nyilatkozat.....	259

Bevezető

Termékleírás

A termék egy belső égésű motorral működő fűvágó.

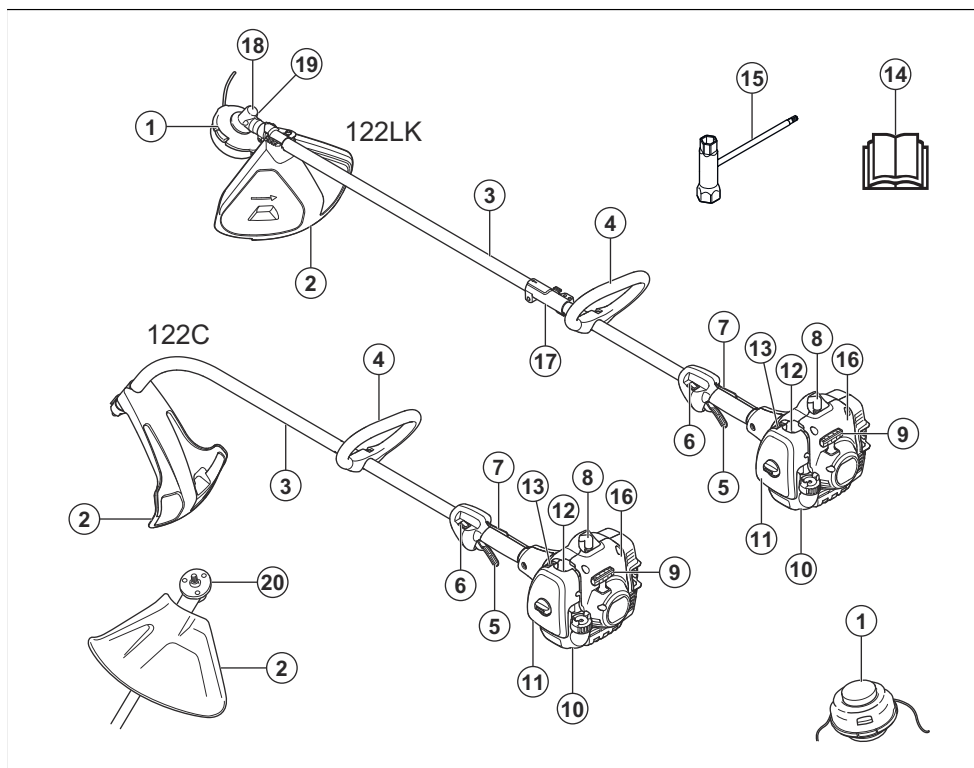
Folyamatosan dolgozunk azon, hogy javítani tudjuk az ügyfeleink használat közbeni biztonságát és hatékonyságát. További tájékoztatásért forduljon az illetékes szakszervizhez.

Rendeltetésszerű használat

A termék damilfejjel felszerelve fűvágásra használható. Ne használja a terméket fűnyírástól és fűritkítástól eltérő célokra.

Megjegyzés: A termék működtetésére nemzeti jogszabályok általi korlátozások vonatkozhatnak.

A termék áttekintése



1. Damilfej
2. A vágófelszerelés védőburkolata

3. Nyél
4. Hurokfogantyú

5. Gázadagoló
6. Leállítókapcsoló
7. Gázadagoló retesze
8. Gyertyapipa és gyújtógyertya
9. Berántókötél markolata
10. Üzemanyagtartály
11. Légszűrő fedél
12. Üzemanyagpumpa
13. Hidegindító kar
14. Kezelői kézikönyv
15. Kombinált kulcs
16. Indítószerkezet háza
17. Nyélcsatlakozás
18. Szöghajtás
19. Zsirbetöltősapka, szöghajtás
20. Hajtótárcsa

A terméken található jelzések



FIGYELMEZTETÉS! A termék veszélyes. A kezelőre és a közelben állókra is vonatkozó sérülés és halál kockázata áll fenn, amennyiben a terméket nem megfelelően és körültekintően használják. A kezelő és a közelben állók biztonságának érdekében olvassa el és tartsa be a használati utasítás minden biztonsági utasítását.



Olvassa el figyelmesen a használati utasítást, és győződjön meg arról, hogy megértette azt, mielőtt a terméket használatba veszi.



Használjon védősisakot minden olyan helyen, ahol tárgyak hullhatnak le. Használjon jóváhagyott fülvédőt. Használjon jóváhagyott védőszemüveget.



A kimenőtengely maximális fordulatszáma.



Ez a termék megfelel a vonatkozó EK-irányelveknek.



A termék tárgyakat repíthet szét, amelyek sérülést okozhatnak.



A termék használata közben tartson legalább 15 méteres távolságot az emberektől és az állatoktól.



Használjon jóváhagyott védőkesztyűt.



Használjon csúszásálló munkavédelmi bakancsot.



Kizárólag rugalmas vágószálat használjon. Ne használjon fém vágófelszereléseket.



Az EU és az Egyesült Királyság irányelveinek és jogszabályainak, és New South Wales „Környezetben történő munkavégzés szabályozása (zajszabályozás), 2017” irányelvének megfelelő környezeti zajkibocsátási címke. A termék garantált hangteljesítményszintjére vonatkozó adatok megtalálhatók az alábbi részen: *Műszaki adatok256. oldalon* és a címkén.



Üzemanyagpumpa.



Hidegindító.



A termék megfelel a vonatkozó egyesült királyságbeli irányelveknek.

ééééhhxxxx

A típustáblán megtalálható a sorozatszám. **éééé** a gyártási év, **hh** pedig a gyártási hét.

Megjegyzés: A terméken szereplő többi jelölés/ címke a további piacok specifikus vizsgáztatási követelményeire vonatkozik.

Euro V. kibocsátási norma



FIGYELMEZTETÉS: A motor módosítása érvényteleníti a termékre vonatkozó európai uniós típusjóvá hagyást.

Ügyfélszolgálat

A következő számon hívhatja az ügyfélszolgálatot:
1-800-487-5951 vagy látogasson el ide:
www.husqvarna.com.

Termékszavatosság

A termékszavatosságra vonatkozó jogszabályok értelmében nem vagyunk felelősek a termékeink által okozott károkért az alábbi esetekben:

- a termék javítását helytelenül végezték;
- a termék javítása nem a gyártótól származó vagy általa jóváhagyott alkatrészekkel történt;
- a terméket nem a gyártótól származó vagy általa jóváhagyott kiegészítővel szerelték fel;
- a termék javítását nem hivatalos szakszerviz vagy jóváhagyott egyéb szerviz végezte.

Biztonság

Biztonsági meghatározások

A figyelmeztetések, óvintézkedések és megjegyzések a használati utasítás kiemelten fontos részeire hívják fel a figyelmet.



FIGYELMEZTETÉS: Akkor használatos, ha a kézikönyv utasításainak be nem tartása esetén fennáll a kezelő vagy a közelben tartózkodók sérülésének vagy halálának veszélye.



VIGYÁZAT: Akkor használatos, ha a kézikönyv utasításainak be nem tartása esetén fennáll a vagyoni kár, illetve a termék vagy a környező terület károsodásának veszélye.

Megjegyzés: További információt biztosít az adott helyzetben szükséges tennivalókról.

Általános biztonsági utasítások



FIGYELMEZTETÉS: A termék használata előtt olvassa el az alábbi figyelmeztetéseket.

- Használja a terméket megfelelően. A nem megfelelő használat súlyos, akár halálos sérüléssel is járhat. A terméket csak a kézikönyvben ismertetett feladatokra használja. Ne használja a terméket egyéb feladatokra.
- Tartsa be a kézikönyvben olvasható utasításokat. Vegye figyelembe a biztonsági jelzéseket és tartsa be a biztonsági utasításokat. Ha a kezelő nem az utasítások és a szimbólumok szerint jár el, anyagi kár, személyi sérülés, akár halál is bekövetkezhet.
- Őrizze meg a kézikönyvet. Használja az utasítást a termék összeszereléséhez, működtetéséhez és a megfelelő üzemállapot fenntartásához. Használja az utasítást a kiegészítők és tartozékok megfelelő felszereléséhez. Csak jóváhagyott kiegészítőt és tartozékot használjon.

- Ne használjon sérült terméket. Tartsa be a karbantartási ütemtervet. Csak olyan karbantartási munkát végezzen, amire a kézikönyvben utasítást talál. Az összes többi karbantartási munkát bízza a hivatalos szakszervizre.
- A kézikönyv nem tartalmazhatja minden olyan helyzet leírását, ami a termék használata során előfordulhat. Legyen körültekintő és hagyatkozzon a józan eszére. Ne működtesse a terméket és ne végezzen rajta karbantartást, ha nem biztos a dolgában. Kérjen tájékoztatást a termék szakértőjétől, a forgalmazótól, szervizműhelytől vagy a hivatalos márkaszerviztől.
- Húzza le a gyertyapipát, mielőtt a termék összeszerelésébe kezd, elteszi vagy karbantartásba kezd.
- Ne használja a terméket, ha megváltozott az eredeti specifikációja. Ne cseréljen a terméken alkatrészt a gyártó jóváhagyása nélkül. Kizárólag a gyártó által jóváhagyott alkatrészeket használja. A nem megfelelő karbantartás súlyos, akár végzetes sérüléssel is járhat.
- Ne lélegezzen be a motorból kiáramló füstöt. A motor kipufogógázainak hosszas belégzése káros lehet az egészségre.
- Ne indítsa be az egységet zárt helyiségben vagy gyúlékony anyagok közelében. A kipufogógázok forróak, és lehet bennük szikra, mely tüzet okozhat. A nem elegendő mértékű légáramlás fulladás vagy szén-monoxid miatt egészségkárosodást, akár halált is okozhat.
- A termék használatakor a motor elektromágneses mezőt hoz létre. Az elektromágneses mező károsíthatja az orvosi implantátumokat. A termék használata előtt kérje ki orvosa vagy orvosi implantátuma gyártójának tanácsát.
- A terméket gyermekek nem használhatják. Ne engedélyezze a termék használatát olyan személy számára, aki nem ismeri a használati utasítás tartalmát.
- Csökkent fizikai vagy szellemi képességekkel rendelkező személy csak felügyelet mellett használhatja a terméket. Egy felelős felnőttnek mindig jelen kell lennie.
- A terméket zárja el olyan helyre, ahol gyermek vagy jogosulatlan személy nem férhet hozzá.

- A termék tárgyakat repíthet szét, és ezzel sérülést okozhat. Tartsa be a biztonsági előírásokat, hogy csökkenthető legyen a súlyos, akár halálos sérülések kockázata.
- Ne hagyja magára a járó motorú terméket.
- Az esetleges balesetekért a termék kezelője a felelős.
- A termék használatának megkezdése előtt ellenőrizze az alkatrészek épségét.
- A termék használatának megkezdése előtt gondoskodjon arról, hogy minimum 15 m (50 láb) távolságra kerüljön más személyektől, illetve állatoktól. Tudassa a közelben lévő személyekkel, hogy használni fogja a terméket.
- Tartsa be az állami vagy helyi törvényeket. Egyes feltételek mellett ezek tilthatják vagy korlátozhatják a termék használatát.
- Ne használja a terméket, ha fáradt, illetve alkohol, kábítószer vagy gyógyszer hatása alatt áll. Ezek befolyásolhatják a látását, éberségét, koordinációját vagy ítéloképességét.

Biztonsági utasítások az összeszereléshez



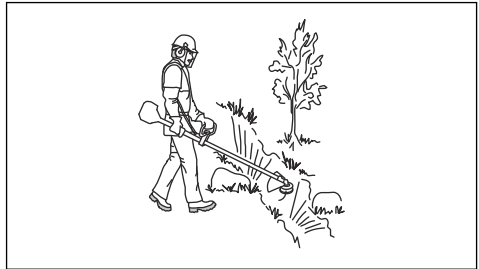
FIGYELMEZTETÉS: A termék használata előtt olvassa el az alábbi figyelmeztetéseket.

- A termék összeszerelése előtt távolítsa el a gyertyapipát a gyújtógyertyáról.
- Használjon jóváhagyott védőkesztyűt.
- A motor beindítása előtt ellenőrizze, hogy megfelelően összeszerelte-e a fedelet és a nyelet.

Biztonsági utasítások az üzemeltetéshez

- A használata előtt gondoskodjon arról, hogy a termék legyen teljesen összeszerelve.
- Vigye legalább 3 m (10 láb) távolságra a terméket a tankolás helyétől, mielőtt beindítaná. Fektesse a terméket vízszintes felületre. Gondoskodjon arról, hogy a vágófelszerelés se a talajhoz, se egyéb tárgyakhoz ne érjen hozzá.
- A termék tárgyakat repíthet szét, amelyek szemsérülést okozhatnak. A termék használatakor viseljen jóváhagyott védőszemüveget.
- Legyen körültekintő, a termék használata közben az Ön tudta nélkül gyerekek jöhetnek a közelébe.
- Ne működtesse a terméket, ha a munkaterületen más is tartózkodik. Állítsa le a terméket, ha valaki belép a munkaterületre.
- Legyen körültekintő, hogy ne veszítse el uralmát a termék felett.
- Ne használja a terméket, ha baleset esetén nincs, aki segítsen. Mindig tudassa másokkal, hogy használni fogja a terméket, mielőtt dolgozni kezd vele.

- Csak akkor forduljon meg a termékkel, ha meggyőződött arról, hogy sem ember, sem állat nincs a biztonsági területen belül.
- Munkakezdés előtt távolítson el minden nem kívánatos anyagot a munkaterületről. Ha a vágófelszerelés nekiütközik valaminek, az elrepülve személyi sérülést vagy anyagi kárt okozhat. A nem kívánatos anyag rátekeredhet a vágófelszerelésre és kárt okozhat.
- Ne használja a terméket rossz időjárás esetén (köd, eső, erős szél, villámás kockázata vagy egyéb kedvezőtlen időjárási viszonyok). Rossz időjárás esetén veszélyes feltételek alakulhatnak ki (például csúszós talajfelület).
- Ügyeljen arra, hogy szabadon mozoghasson, és dolgozzon stabil testhelyzetben.



- Ügyeljen arra, hogy ne eshessen el a termék használatakor. Ne görnyedve, meghajolva használja a terméket.
- Tartsa mindig mindkét kezével a terméket. A terméket tartsa teste jobb oldalán.



- Használat közben a vágófelszerelés legyen a derékszint alatt.
- Ha a hidegindító karja motorindításkor hidegindítás helyzetben van, a vágófelszerelés forogni kezd.
- Ne érjen a szöghajtáshoz, miután leállt a motor. A szöghajtás a használat során felforrósodik. A forró felületek sérülést okozhatnak.
- Állítsa le a motort, mielőtt szállítani kezdi a terméket.
- Ne tegye le a terméket járó motorral.
- Mielőtt a terméken lévő, nem kívánatos anyagok eltávolításába kezd, állítsa le a motort és várja meg, amíg a vágófelszerelés leáll. Várja meg, hogy a vágófelszerelés leálljon, mielőtt Ön vagy a segítségével eltávolítja a levágott anyagot.

Személyi védőfelszerelés



FIGYELMEZTETÉS: A termék használata előtt olvassa el az alábbi figyelmeztetéseket.

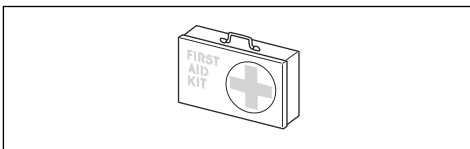
- A termék használata során viseljen jóváhagyott személyi védőfelszerelést. A személyi védőfelszerelés nem küszöböli ki teljes mértékben a sérülés kockázatát, de csökkenti a sérülés mértékét, ha bekövetkezik a baleset. A megfelelő felszerelés kiválasztásában kérje a kereskedő segítségét.
- Használjon védősisakot azokon a helyeken, ahol fennáll a veszélye annak, hogy tárgyak esnek a földre.
- Használjon elegendő hangtompító hatással rendelkező, jóváhagyott fülvédőt. Hosszú távon a tartós zajártalom maradandó halláskárosodást okozhat.
- Használjon jóváhagyott védőszemüveget. Ha arcvédőt használ, jóváhagyott védőszemüveget is kell viselnie. Jóváhagyott védőszemüvegek azok, amelyek megfelelnek az ANSI Z87.1 (USA), illetve EN 166 (EU-országok) szabványoknak.
- Az arcvédelem érdekében használjon arcvédőt. Az arcvédő használata nem elegendő a szemek védelméhez.



- Ha szükséges, viseljen kesztyűt – például a vágószerkezet felhelyezésekor, ellenőrzésekor vagy tisztításakor.
- Viseljen stabil, csúszásgátló talppal ellátott csizmát.
- Viseljen sűrű szövésű anyagból készült ruházatot. Vastag, hosszú nadrágot és hosszú ujjú felsőrészt viseljen. Ne viseljen bő ruházatot, mert az beakadhat a gallyakba és a bokrok ágaiba. Ne viseljen ékszereket, rövidnadrágot, szandált, illetve ne legyen meztláb. Igazítsa haját vállmagasság fölé.



- Tartson elsősegélykészletet a közelben.



Biztonsági eszközök a terméken

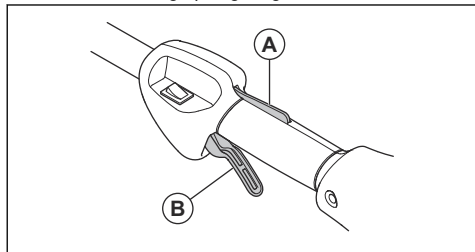


FIGYELMEZTETÉS: A termék használata előtt olvassa el az alábbi figyelmeztetéseket.

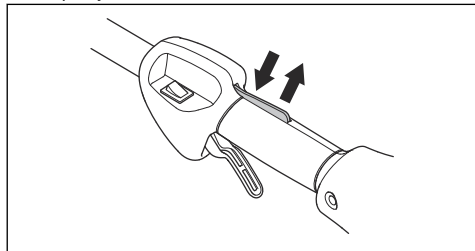
- Ne használjon olyan terméket, amelynek hibásak a biztonsági eszközei.
- Rendszeresen ellenőrizze a biztonsági eszközöket. Lásd az *Karbantartási terv252. oldalon* fejezetet.
- A biztonsági eszközök meghibásodása esetén vegye fel a kapcsolatot a Husqvarna szakszervizzel.

A gázadagoló reteszének ellenőrzése

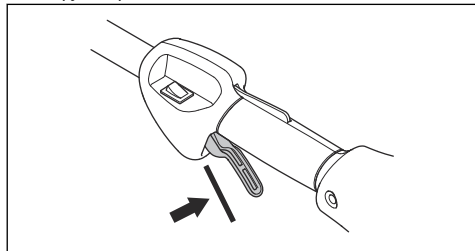
1. Győződjön meg arról, hogy a gázadagoló retesze (A) és a gázadagoló (B) akadálymentesen mozog, a visszatérítő rugó pedig megfelelően működik.



2. Nyomja le a gázadagoló reteszt, és győződjön meg arról, hogy a felengedése után visszatér alaphelyzetbe.



3. Ellenőrizze, hogy a reteszt elengedve a gázadagoló alapjáratú pozícióban reteszeli-e.



4. Indítsa be a terméket, és adjon teljes gázt.

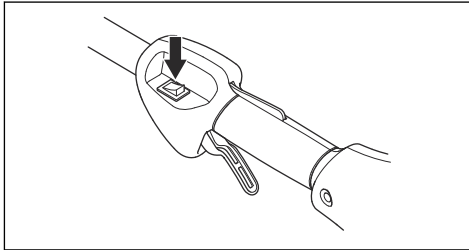
- Engedje el a gázadagolót, és győződjön meg róla, hogy a kések megállnak és mozdulatlanok maradnak.



FIGYELMEZTETÉS: Ha a kések a gázadagoló alapjáratí helyzetében is mozognak, akkor be kell állítani a karburátor alapjáratí fordulatszámát. Lásd: *Az alapjáratí fordulatszám beállítása* 253. oldalon.

A leállítókapcsoló ellenőrzése

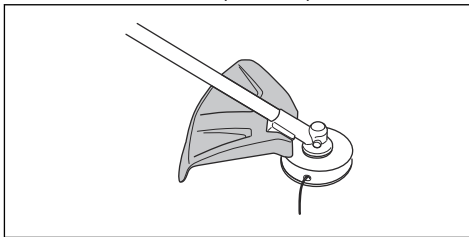
- Indítsa be a motort.
- Állítsa a leállítókapcsolót a stop pozícióba és ellenőrizze, hogy a motor leállt-e.



A vágófelszerelés védőburkolatának ellenőrzése

A vágófelszerelés védőburkolata megakadályozza, hogy az elszabadult tárgyak elérjék a kezelőt. Emellett megvéd a sérülésektől a vágófelszerelés megérintése esetén is.

- Állítsa le a motort.
- Keressen sérüléseket, például repedéseket.



- Ha a vágófelszerelés védőburkolata sérült, cserélje ki.

Kipufogódob

- Ne indítsa be a motort, ha a kipufogódob megsérült. A hibás kipufogódob növeli a zajszintet és a tűzveszélyt. Legyen a közelben tűzoltó készülék.
- Ellenőrizze rendszeresen a kipufogódob rögzítettségét.
- Ne érjen a motorhoz vagy a kipufogódobhoz, ha jár a motor. Ne érjen a motorhoz vagy a kipufogódobhoz még egy darabig, miután leállította a motort. A forró felületek sérülést okozhatnak.

- A forró kipufogódob tüzet okozhat. Legyen óvatos, ha a terméket gyúlékony folyadékok vagy gőzök közelében használja.
- Ne érjen a kipufogódob alkatrészeihez, ha a kipufogódob megsérült. Az alkatrészek rákkeltő vegyi anyagokat tartalmazhatnak.

Vágófelszerelés



FIGYELMEZTETÉS: A termék használata előtt olvassa el az alábbi figyelmeztetéseket.

- Végezzen rendszeres karbantartást. Vizsgáltsa át rendszeresen a vágófelszerelést szakszervizben, ahol elvégzik a szükséges beállításokat, javításokat.
 - A vágófelszerelés teljesítménye és az élettartama ezáltal egyaránt megnő,
 - a balesetveszély pedig csökken.
- Csak jóváhagyott védőburkolatot használjon a vágófelszereléshez. Lásd: *Tartozékok* 257. oldalon.
- Ne használjon sérült vágófelszerelést!

Üzemanyaggal kapcsolatos biztonság



FIGYELMEZTETÉS: A termék használata előtt olvassa el az alábbi figyelmeztetéseket.

- Ne keverjen üzemanyagot beltéren vagy hőforrás közelében.
- Ne indítsa be a terméket, ha üzemanyag vagy motorolaj került rá. Távolítsa el a nem kívánt üzemanyagot/motorolajt és hagyja megszáradni a terméket. Távolítsa el a nem kívánt üzemanyagot a termékről.
- Ha a kiömlött üzemanyag a ruhájára csöppent, öltözzön át azonnal.
- Ügyeljen arra, hogy ne kerüljön üzemanyag a testére, mert az sérülést okozhat. Ha üzemanyag került a testére, távolítsa el szappannal és vízzel.
- Ne indítsa be a motort, ha olaj vagy üzemanyag került a termékre vagy Önre.
- Ne indítsa be a motort, ha szivárog a motor. Vizsgálja meg rendszeresen a motort szivárgás szempontjából.
- Bánjon óvatosan az üzemanyaggal. Az üzemanyag gyúlékony, a gőzei robbanásveszélyesek, ezért súlyos, akár végzetes sérülést is okozhat.
- Ne lélegezze be az üzemanyag gőzeit, egészségkárosodást okozhatnak. Gondoskodjon megfelelő légáramlásról.
- Az üzemanyag vagy a motor közelében ne dohányozzon.
- Az üzemanyag vagy a motor közelébe ne tegyen forró tárgyakat.
- Ne tankoljon járó motornál.
- Várja meg a tankolással, amíg lehűl a motor.

- Tankolás előtt nyissa meg lassan a tanksapkát, engedje ki óvatosan a nyomást.
- Gondoskodjon a megfelelő légáramlásról újratöltéskor, az üzemanyag keverésekor (benzin és kétütemű olaj) és az üzemanyagtartály leeresztésekor.
- Az üzemanyag és annak gőze tűzveszélyes lehet, és belélegezve, illetve bőrrel érintkezve súlyos sérüléseket okozhat. Legyen ezért nagyon óvatos, amikor az üzemanyaggal bánik, és gondoskodjon megfelelő légáramlásról.
- Körültekintően húzza meg a tanksapkát, különben tűz keletkezhet.
- Vigye legalább 3 m (10 láb) távolságra a terméket a tankolás helyétől, mielőtt beindítaná.
- Ne töltsen túl üzemanyaggal a terméket.
- Ügyeljen arra, hogy ne forduljon elő szívdágás, amikor a terméket vagy az üzemanyagtartályt mozgatja.
- Ne vigye olyan helyre a terméket vagy az üzemanyagtartályt, ahol nyílt láng, szikra vagy őrláng található. Győződjön meg arról, hogy a tárolás helyén nem található nyílt láng.
- Csak jóváhagyott tartályt használjon az üzemanyag szállítására vagy tárolására.
- Hosszú távú tárolás előtt ürítse ki az üzemanyagot a termékből. A lefejtett üzemanyag elhelyezésekor járjon el a hatályos helyi előírások szerint.
- Hosszú távú tárolás előtt tisztítsa meg a terméket.
- A motor véletlen beindulásának elkerülése érdekében húzza le a gyertyapipát, mielőtt a terméket eltenné.
- Állítsa le a motort, és győződjön meg arról, hogy a vágófelszerelés megállt-e. A karbantartás megkezdése előtt várja meg, amíg a termék lehül.
- A karbantartás megkezdése előtt vegye le a gyertyapipát.
- A motorból származó kipufogógázok szén-monoxidot tartalmaznak. A szén-monoxid egy szagtalan, mérgező, rendkívül veszélyes gáz, amely halált okozhat. Ne működtesse a terméket zárt helyiségben vagy zárt helyen.
- A motor kipufogógázai forróak, a gázokkal együtt akár szikrák is távoznak a motorból. Ne működtesse a terméket zárt helyiségben vagy gyúlékony anyagok közelében.
- A gyártó által nem jóváhagyott tartozékok és változtatások súlyos sérülést vagy halált okozhatnak. Ne végezzen módosításokat a terméken. Mindig eredeti tartozékokat használjon.
- Megnövekszik a személyi sérülés és a termék károsodásának kockázata, ha nem végez rendszeresen karbantartást, vagy azt helytelenül végzi.
- Csak a használati utasítás által javasolt karbantartási feladatokat végezze el. Minden egyéb szervizelési munkát hagyjon egy jóváhagyott Husqvarna szervizműhelyre.
- Végeztesse a termék rendszeres szervizelését hivatalos Husqvarna szervizműhellyel.
- A sérült, kopott vagy törött alkatrészt cserélje ki.
- A vágózsínőr felszereléséhez és a megfelelő zsinóratmérő kiválasztásához lásd a vágófelszerelés előírásait.
- A penge vágófogai mindig legyenek megfelelően élezve. Kövesse ajánlásainkat. Lásd a penge csomagolásán szereplő utasításokat is.

Biztonsági utasítások a karbantartáshoz



FIGYELMEZTETÉS: A termék használata előtt olvassa el az alábbi figyelmeztetéseket.

Összeszerelés

Bevezető



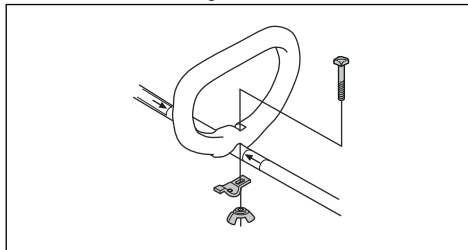
FIGYELMEZTETÉS: A termék összeszerelése előtt el kell olvasnia és meg kell értenie a biztonságról szóló fejezetet.



FIGYELMEZTETÉS: A termék összeszerelése előtt távolítsa el a gyújtógyertya kábelét a gyújtógyertyából.

A hurokfogantyú felszerelése

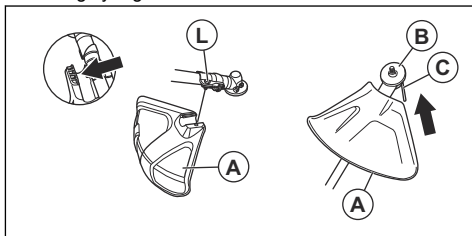
1. Szerelje fel a hurokfogantyút a nyélre az ábra szerint, és húzza meg.



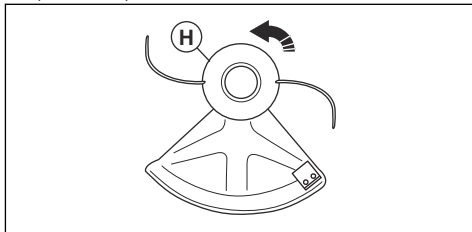
2. A hurokfogantyút a nyélen látható nyíljelzések között kell elhelyezni.

A vágófelszerelés védőburkolatának és a damilfejnek a felszerelése (egyenes nyél)

1. Rögzítse a vágófelszerelés burkolatát (A) a nyélen a csavar (L) segítségével.
2. Szerelje fel a hajtótárcsát (B) a kimenőtengelyre.
3. Forgassa a kimenőtengelyt addig, amíg a hajtótárcsában lévő furatok egyike egy vonalba nem kerül a hajtóműházon lévő megfelelő furattal.
4. Dugjon be egy kis csavarhúzó (C) a furatba a tengely rögzítéséhez.

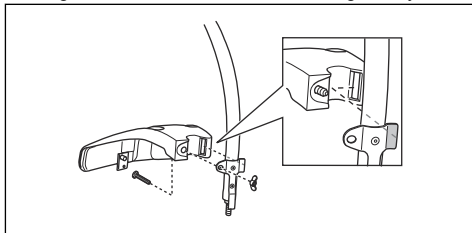


5. Csavarja rá a damilfejet (H) a tengelyre az óramutató járásával ellentétes irányba forgatva. (Balmenet.)

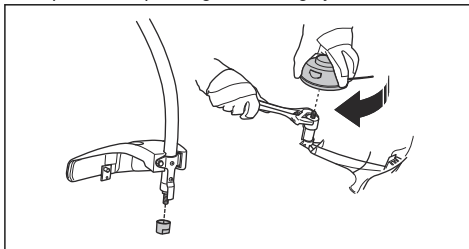


A vágófelszerelés védőburkolatának és a damilfejnek a felszerelése (hajlított nyél)

1. Rögzítse a védőburkolatot. Húzza meg az anyát.



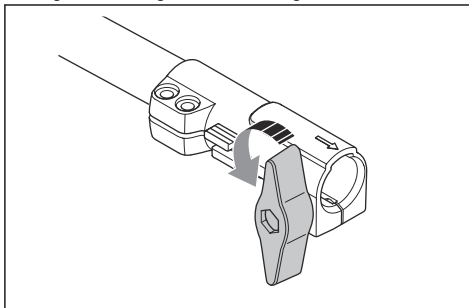
2. A porvédő sapkát rögzítse a tengelyre.



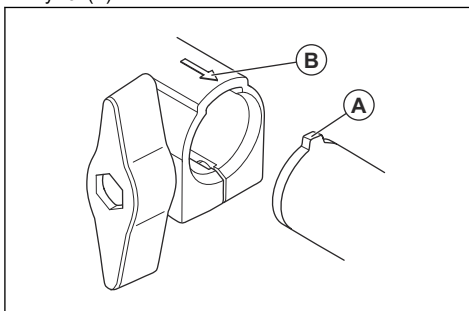
3. Tartsa meg a porvédő sapkát egy állítható csavarkulccsal, hogy a tengely ne forduljon el.
4. Helyezze a damilfejet a tengelyre. Forgassa el a damilfejet az óramutató járásával megegyező irányba.

A két részből álló nyél összeszerelése

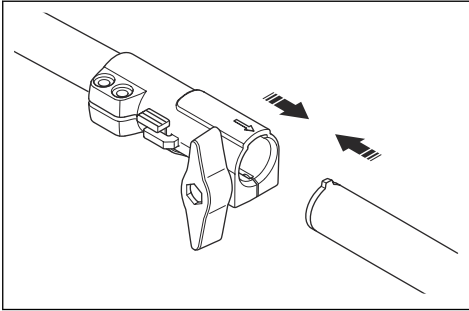
1. A gombot elforgatva lazítsa meg a csatlakozót.



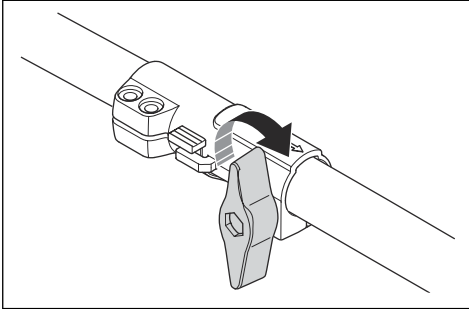
2. Igazítsa egymáshoz a fület (A) a csatlakozón lévő nyíllal (B).



3. Nyomja be a nyelet a nyélcsatlakozóba, amíg a helyére nem kattann.

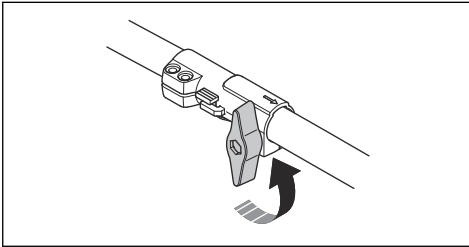


4. Teljesen húzza meg a kilincset.

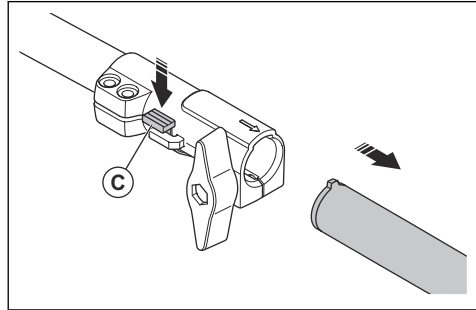


A két részből álló nyél szétszerelése ()

1. A gombot legalább háromszor elforgatva lazítsa meg a csatlakozót.



2. Nyomja meg és tartsa lenyomva a gombot (C).
3. Tartsa erősen a nyél motorhoz csatlakozó végét.
4. Húzza ki egyenesen a toldalékot a csatlakozóból.



Üzemeltetés

Bevezető



FIGYELMEZTETÉS: A termék működtetése előtt el kell olvasnia és meg kell értenie a biztonságról szóló fejezetet.



VIGYÁZAT: A nem megfelelő üzemanyag használata a motor károsodásához vezethet. Benzin és kétütemű motorolaj keverékét használja üzemanyagként.

Üzemanyag

A termékben kétütemű motor működik.

Előkevert üzemanyag

- A jó teljesítmény és a motor élettartamának megnövelése érdekében előkevert Husqvarna alkilüzemanyagot használjon. Ez az üzemanyagtípus

kevesebb a hagyományos üzemanyagokhoz képest kevesebb vegyszert tartalmaz, így a kipufogó károsanyag-kibocsátása is mérséklődik. Az égés után visszamaradó anyagok mennyisége ezen üzemanyag esetében kevesebb, ami tisztább állapotban tartja a motor alkotóelemeit.

Az üzemanyag keverése

Benzin

- Jó minőségű, legfeljebb 10% etanolt (E10) tartalmazó, ólmozatlan benzint használjon.



VIGYÁZAT: Ne használjon 90 RON/87 AKI értéknél alacsonyabb oktánszámú benzint. Alacsonyabb oktánszám esetén kopogás jelentkezhet a motorban, ami a motor károsodását okozhatja.

Kétütemű motorhoz való olaj

- A legjobb eredmények és teljesítmény érdekében használjon Husqvarna kétütemű motorolajat.
- Ha nem áll rendelkezésre Husqvarna kétütemű motorolaj, használjon más jó minőségű, léghűtéses motorokhoz készült kétütemű olajat. A megfelelő olaj kiválasztását illetően forduljon az illetékes szakszervizhez.



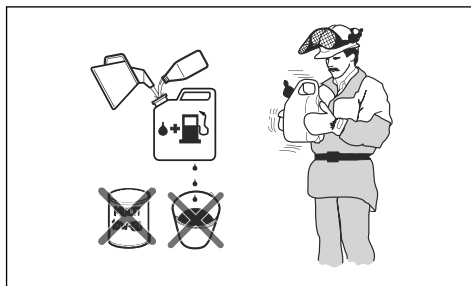
VIGYÁZAT: Ne használjon vízhűtéses külső motorokhoz való kétütemű motorolajat (más néven „outboard” olajat). Soha ne használjon négyütemű motorokhoz való olajat.

Benzin és kétütemű olaj összekeverése

Benzin, liter	Kétütemű olaj, liter
	2% (50:1)
5	0,10
10	0,20
15	0,30
20	0,40



VIGYÁZAT: Kisebb mennyiségű üzemanyag kikeverésekor fennáll a veszélye, hogy az apróbb hibák jelentősen befolyásolják a keverési arányt. A helyes keverési arány érdekében gondosan mérje ki a keverékhez adagolandó olaj mennyiségét.



- Töltse bele a benzin felét egy üzemanyaghoz való, tiszta tartályba.
- Töltse be a teljes olajmennyiséget.
- Rázza össze az üzemanyag-keveréket.
- Öntse bele a benzin megmaradó részét a tartályba.
- Óvatosan rázza össze az üzemanyag-keveréket.



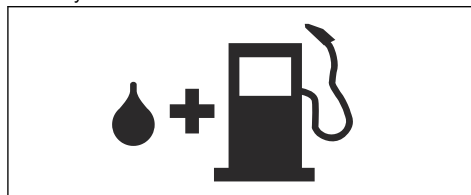
VIGYÁZAT: Ne keverjen be 1 havi adagnál több üzemanyagot egyszerre.

Az üzemanyagtartály feltöltése



FIGYELMEZTETÉS: Biztonsága érdekében tartsa be az alábbi eljárást.

- Állítsa le a motort, és várja meg, amíg lehül.
- Tartsa tisztán az üzemanyagtartály sapkájának környékét.



- Rázza össze a tartályt, és győződjön meg róla, hogy az üzemanyag megfelelően összekeveredett-e.
- Lassan távolítsa el az üzemanyagtartály sapkáját, hogy kiengedje a nyomást.
- Töltse fel az üzemanyagtartályt.



VIGYÁZAT: Ügyeljen arra, hogy ne töltsön túl sok üzemanyagot az üzemanyagtartályba. Hő hatására az üzemanyag kitágul.

- Húzza meg óvatosan az üzemanyagtartály sapkáját.
- Távolítsa el a kiömlött üzemanyagot a termékről és környékéről.

8. A motor beindítása előtt, vigye el a terméket a tankolás helyétől és forrásától legalább 3 m távolságra.

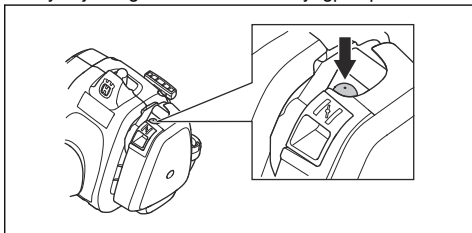
Megjegyzés: Ha szeretné megtudni, hogy az üzemanyagtartály hol van a terméken, lásd: *A termék áttekintése 240. oldalon.*

Beindítás előtti átvizsgálás

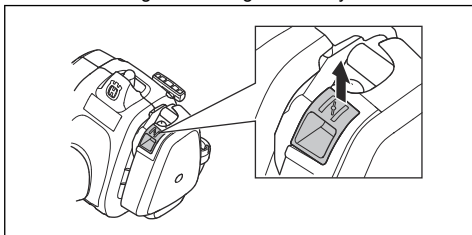
1. Ellenőrizze, hogy a termék összes alkatrésze megvan-e, illetve nem rendelkezik-e sérült, meglazult vagy elhasználadott alkatrészekkel.
2. Győződjön meg arról, hogy az anyacsavarok és a csavarok szorosan meg vannak-e húzva.
3. Ellenőrizze, hogy nem találhatók-e sérülések a damilfejen.
4. Ellenőrizze, hogy a levegőszűrő nincs-e eltömődve.
5. Ellenőrizze, hogy a termék biztonsági eszközei nem hibásak-e.
6. Győződjön meg arról, hogy a termékből nem szivárogo-e az üzemanyag.

Hideg motor indítása

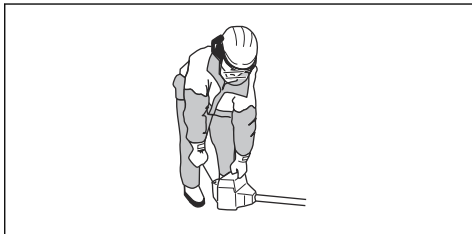
1. Nyomja meg 10-szer az üzemanyagpumpát.



2. Állítsa a hidegindítót hidegindítás helyzetbe.



3. Nyomja a géptestet bal kézzel a talajnak.



VIGYÁZAT: Ne lépjen rá a termékre.

4. Húzza meg lassan az indítókötelet jobb kézzel, amíg ellenállást nem érez. Ezt követően húzza meg gyorsan és erősen az indítókötel fogantyúját, amíg a motor be nem indul, vagy meg nem kísérli az indítást.



FIGYELMEZTETÉS: Ne tekerje a berántókötelet a keze köré.

5. Állítsa a szívatókart működési helyzetbe.
6. Ha a motor beindul, nyomja be finoman a gázadagolót, és hagyja járni a motort 60 másodpercig, hogy bemelegedjen. Ha a motor nem indul be, húzza addig az indítózsín fogantyúját, amíg a motor be nem indul. Ezt követően nyomja be finoman a gázadagolót, és hagyja járni a motort 60 másodpercig, hogy bemelegedjen.



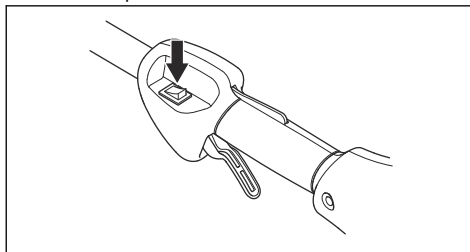
VIGYÁZAT: Ne húzza ki teljesen az indítózsínort, és ne engedje el a berántókötel fogantyúját. Ezzel kárt tehet a termékben. Engedje vissza lassan az indítózsínort.

Meleg motor indítása

1. Nyomja meg 10-szer az üzemanyagpumpát.
2. Húzza meg az indítófogantyút, amíg a motor be nem indul.

A termék leállítása

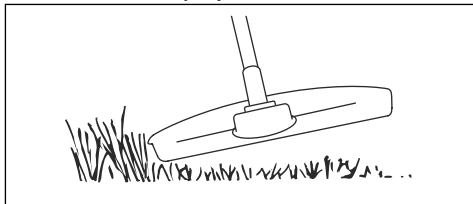
- A motor leállításához nyomja meg a leállítókapcsolót.



Megjegyzés: A leállítókapcsoló magától visszaáll alaphelyzetbe.

Fűszegély nyírás

1. Tartsa a szegélynyíró fejet közvetlenül a talajszint felett ferdén. Ne nyomja bele a damilt a fűbe.



2. Csökkentse a fűvágó damil hosszát 10-12 cm-re.
3. Csökkentse a motor fordulatszámát, hogy megóvja a növényeket a károsodástól.
4. Csak 80% gázt adjon, amikor akadályok közelében végez fűnyírást.

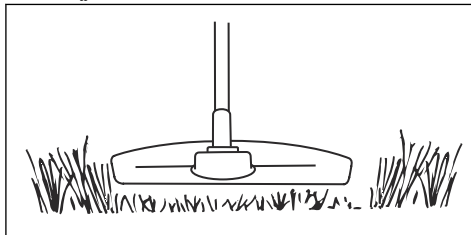


Fűritkítás fűvágó késsel

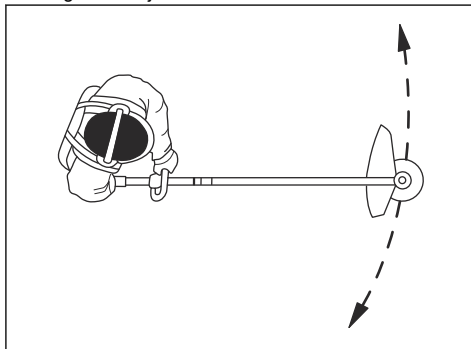
1. Fűvágó kést és fű vágófejet ne használjon fás szárú növényekhez.
2. A magas és erőteljes fű minden típusának ritkítása fűvágó késsel történik.
3. A fűvet oldalirányban ingaszerű mozgással kaszálja, a jobbról balra induló mozdulattal ritkíthatja, a balról jobbra induló mozdulattal pedig visszatér kiinduló helyzetbe. A penge a bal oldalával dolgozzon („8 és 12 óra között”).
4. Ha a fűritkítás során a pengét kissé balra dönti, a fű rendbe gyűlik, amely megkönnyíti az összegyűjtést, például a gereblyézésnél.
5. Igyekezzen ritmikusan dolgozni. Álljon stabilan, lábait kissé széttéve. A kiindulóhelyzetbe visszatérve lépjen előre, majd vesse meg újra lábát a talajon.
6. A támasztócsésze finoman érintkezzen a talajjal. A támasztócsésze rendeltetése, hogy ne engedje a pengét a talajnak ütközni.
7. Csökkentse a fűnyesedék penge körüli lerakódásának kockázatát azzal, hogy mindig teljes gázon dolgozik, és elkerüli a korábban levágott nyesedéket visszalendítéskor.
8. Mielőtt a levágott anyagot összegyűjti, állítsa le a motort, akassza le a hámat, és tegye le a gépet a talajra.

Fűnyírás

1. A vágódamil a fű nyírásakor legyen párhuzamos a talajjal.



2. Ne nyomja le a talajra a damilfejet. Ezzel kárt tehet a terméken.
3. A fűnyírást kaszáló mozdulatokkal végezze. Dolgozzon teljes fordulatszámon.



A fű seprése

A forgó zsinór légáramlatával eltávolíthatja a levágott fűvet a munkaterületről.

1. Tartsa a damilfejet és a zsinórt a talaj felett, arra párhuzamosan.
2. Adjon teljes gázt.
3. A szegélyvágó fejet oldalról oldalra mozgatva seperje a fűvet.



FIGYELMEZTETÉS: Minden alkalommal tisztítsa meg a damilfej borítását, amikor új vágózinórt helyez fel, hogy egyensúlyt biztosíthasson és elkerülhesse a markolat vibrálását. Ellenőrizze és szükség esetén tisztítsa meg a szegélyvágó fej egyéb elemeit is.

Fűvágó damilfej

- A rezgés csökkentése érdekében a fűvágó damilt egyetlenesen, ne túl szorosan csévélje fel a dobra.
- Csak jóváhagyott damilfejet és damilt használjon. Lásd: *Tartozékok257. oldal*on.

- Használjon megfelelő hosszúságú fűvágó damilt. A hosszú fűhöz való damil nagyobb teljesítményt igényel a motortól, mint a rövid fűhöz való.
- A vágófelszerelés védőburkolatán lévő késnek épek kell lennie.
- Áztassa vízben a fűvágó damilt 2 napig, mielőtt felszereli a termékre. Ezzel megnöveli a fűvágó damil élettartamát.
- A helyes zsinóradagoláshoz és megfelelő zsinórátmérő kiválasztásához lásd a vágófelszerelés előírásait.

Karbantartás

Bevezető



FIGYELMEZTETÉS: Karbantartás előtt el kell olvasnia és meg kell értenie a biztonságról szóló fejezetet.

A gépen végzett minden szerviz- és javítási munkálat szakképzettséget igényel. Garantáljuk a professzionális javítások és szervizelés lehetőségét. Ha viszonteladója nem szervizműhely, forduljon hozzájuk a legközelebbi szervizműhellyel kapcsolatban.

Karbantartási terv

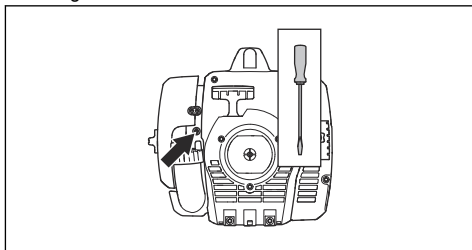
Karbantartás	Naponta	Hetente	Havonta
Tisztítsa meg a külső felületeket.	X		
Légszűrő tisztítása. Szükség esetén cserélje ki.	X		
Ellenőrizze a gázadagoló reteszének és a gázadagolónak a működését.	X		
Ellenőrizze a leállítókapcsolót.	X		
Ellenőrizze a védőburkolatokat.	X		
Ellenőrizze a damilfejet.	X		
Ellenőrizze az önbiztosító anyát.	X		
Ellenőrizze, nem szívárog-e az üzemanyag.	X		
Győződjön meg arról, hogy a fűvágó kés középre van igazítva, éles, és sérülésmentes a pengén és a középső furaton is.	X		
Győződjön meg arról, hogy a vágófelszerelés alapjárat fordulatszámán nem forog.	X		
Kenje meg a két részből álló nyelet.		X	
Ellenőrizze az indítózsinórt és a fogantyúját.		X	
Ellenőrizze a szöghajtás kenését.		X	
Tisztítsa meg a gyújtógyertya külső felületét. Vegye le a gyújtógyertyát, és mérje meg a szikraközt. Állítsa be a szikraközt, vagy cserélje ki a gyújtógyertyát.		X	
Tisztítsa ki a hűtőrendszert.		X	
Tisztítsa meg, vagy cserélje ki a hangtompító szikrafogóját.		X	
Tisztítsa meg a porlasztó külsejét és környezetét.		X	
Ellenőrizze, hogy az üzemanyagszűrő nem szennyezett-e.			X
Ellenőrizze az üzemanyag-vezeték épségét.			X
Ellenőrizze az összes kábelt és csatlakozót.			X

Karbantartás	Naponta	Hetente	Havonta
Ellenőrizze, hogy nem kopott-e a tengelykapcsoló, a tengelykapcsoló-rugók és a tengelykapcsoló-dob.			X
Cserélje a gyújtógyertyát.			X

Az alapjáratú fordulatszám beállítása

Az alapjáratú fordulatszám beállítása előtt gondoskodjon arról, hogy tiszta legyen a levegősűrő és fel legyen szerelve a légsűrő fedél.

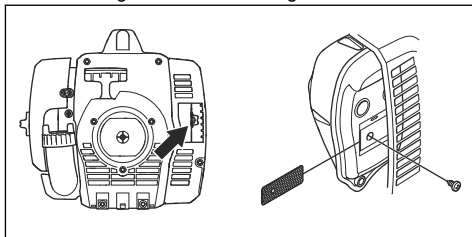
1. Fordítsa a T-vel jelölt üresjárat-szabályozó csavart az óramutató járásával ellentétes irányba, amíg a vágófelszerelés fordulni nem kezd.



2. Fordítsa a T-vel jelölt üresjárat-szabályozó csavart az óramutató járásával ellentétes irányba, amíg a vágófelszerelés meg nem áll.
3. Az alapjáratú fordulatszám alacsonyabbnak kell lennie a vágófelszerelés forgásához szükséges fordulatszámnál. Az alapjáratú fordulatszám akkor van helyesen beállítva, ha a motor minden helyzetben egyenletesen jár.

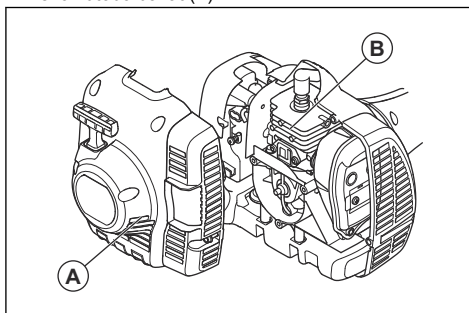
A szikrafogó háló karbantartása

- A szikrafogó háló tisztítását végezze drótkéfével.



A hűtőrendszer kitisztítása.

- Tisztítsa meg egy kefével az indítószervezeten található levegőbeömlő nyílást (A) és a hengeren lévő hűtőbordákat (B).



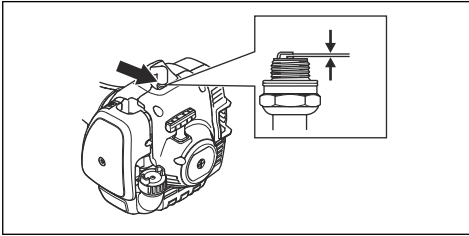
A gyújtógyertya ellenőrzése.



VIGYÁZAT: Használjon ajánlott típusú gyújtógyertyát. Az új gyertya egyezzen meg a gyártó által biztosított alkatrészsel. A nem megfelelő gyújtógyertya károsíthatja a terméket. Ellenőrizze, hogy a gyújtógyertyának van-e zavarászűrője. További tájékoztatásért forduljon az illetékes szakszervizhez.

1. Ellenőrizze a gyújtógyertyát, ha:
 - a) a motor gyenge;
 - b) nehézkes az indítás;
 - c) egyenetlen a motor alapjárata.
2. Ha a motor nehezen indul vagy gyakran leáll, ellenőrizze a gyújtógyertyát, nincs-e rajta szennyeződés. A gyújtógyertya elektródái közötti lerakódások kialakulásának csökkentése érdekében:
 - a) gondoskodjon az alapjáratú fordulatszám megfelelő beállításáról;
 - b) gondoskodjon a megfelelő üzemanyag-keverékről;
 - c) gondoskodjon a levegősűrő tisztaságáról.

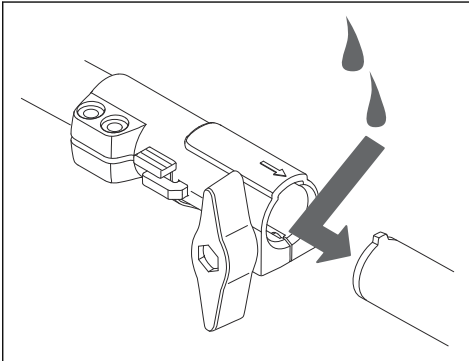
3. Tisztítsa meg a gyújtógyertyát, ha elszennyeződött. Ellenőrizze, hogy megfelelő-e a szikraköz. Lásd: *Műszaki adatok 256. oldalon.*



4. Szükség esetén cserélje ki a gyújtógyertyát.

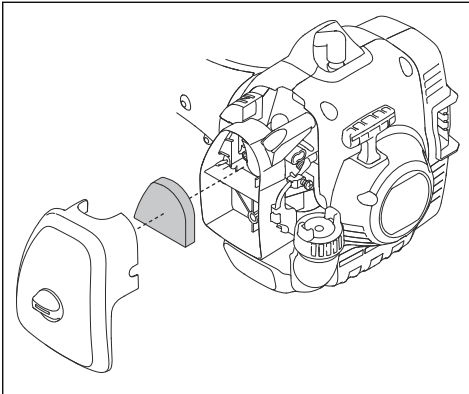
A két részből álló nyél kenése

- Zsírozza meg a hajtótengely végét 30 üzemóra után.



A levegőszűrő megtisztítása

1. Távolítsa el a levegőszűrő fedelét és a levegőszűrőt.



2. Meleg szappanos víz segítségével tisztítsa meg a levegőszűrőt. A levegőszűrőt teljesen szárazon szerelje csak vissza.

3. Cserélje ki a levegőszűrőt, ha túlságosan elszennyeződött a kitisztításához. Mindig cserélje ki a sérült levegőszűrőt.
4. Ha a termék levegőszűrője szivacs, tegyen rá légszűrőolajat. Csak szivacs levegőszűrőre tegyen légszűrőolajat. Filcszűrőre ne tegyen olajat.

Levegőszűrő kezelése légszűrőolajjal

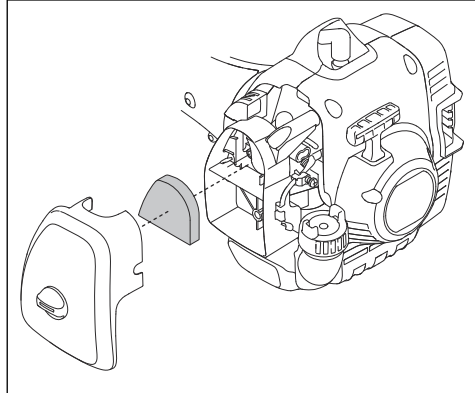


VIGYÁZAT: A szivacs levegőszűrőt csak speciális légszűrőolajjal kezelje. Ne használjon másféle olajat.

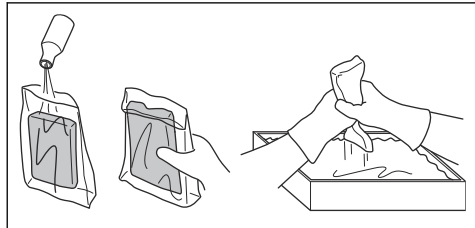


FIGYELMEZTETÉS: Ügyeljen arra, hogy ne kerüljön Önre az olajból.

1. Távolítsa el a levegőszűrő fedelét és a levegőszűrőt.



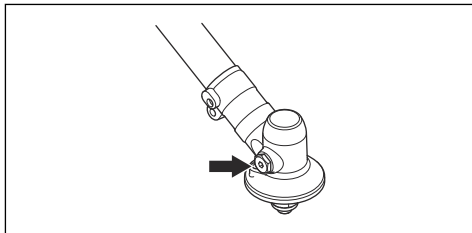
2. Tegye be a levegőszűrőt egy műanyag tasakba.
3. Tegyen légszűrőolajat is a műanyag tasakba.



4. Nyomkodja meg a műanyag tasakot, hogy az olaj egyenletesen átítassa a levegőszűrőt.
5. Nyomkodja ki a levegőszűrőből a felesleges olajat még a tasakban. Vegye ki a levegőszűrőt a tasakból.
6. Szerelje be a levegőszűrőt.

A szöghajtás zsírzása

- A szöghajtás legyen $\frac{3}{4}$ részig feltöltve szöghajtás-kenőzsírral.



Hibaelhárítás

A motor nem indul

Ellenőrzés	Lehetséges ok	Eljárás
Indítófogak.	Az indítófogak nem tudnak szabadon mozogni.	Vegye le az indító fedelét és tisztítsa meg az indítófogak környezetét.
		Kérje hivatalos szakszerviz segítségét a karbantartáshoz.
Üzemanyagtartály.	Nem megfelelő üzemanyag.	Engedje le az üzemanyagtartályt és töltsön be megfelelő üzemanyagot.
Gyújtógyertya.	A gyújtógyertya koszos vagy nedves.	Bizonyosodjon meg róla, hogy a gyújtógyertya száraz és tiszta.
	A gyújtógyertya szikraköze nem megfelelő.	Tisztítsa meg a gyújtógyertyát. Ellenőrizze, hogy megfelelő-e a szikraköz. Ellenőrizze, hogy a gyújtógyertyának van-e zavarászűrője. A helyes szikraközt illetően tekintse át a következőt: <i>Műszaki adatok256. oldalon.</i>
	A gyújtógyertya kilazult.	Húzza meg a gyújtógyertyát.

A motor elindul, de leáll

Ellenőrzés	Lehetséges ok	Eljárás
Üzemanyagtartály	Nem megfelelő üzemanyag.	Engedje le az üzemanyagtartályt és töltsön be megfelelő üzemanyagot.
Légszűrő	Eltömődött a levegőszűrő.	Légszűrő tisztítása.

Szállítás és raktározás

- Tárolás előtt mindig várja meg, amíg a termék lehűl.

- A termék és az üzemanyag tárolásához és szállításához győződjön meg róla, hogy nincsenek szivárgások vagy gőzök. Szikra vagy nyílt láng, például elektromos készülékektől vagy kazánoktól, tüzet okozhat.
- Mindig engedélyezett tartályokat használjon az üzemanyag tárolására és szállítására.
- Szállítás vagy hosszú távú tárolás előtt ürítse ki az üzemanyagot a termékből. A felesleges üzemanyagot adja le egy erre kijelölt gyűjtőponton.
- Szállításához és tároláshoz helyezze fel a szállítási biztosítószerkezetet.
- Távolítsa el a gyertyapipát a gyújtógyertyáról.
- Szállításakor rögzítse a terméket. Győződjön meg arról, hogy nem tud elmozdulni.
- Hosszú távú tárolás előtt tisztítsa meg a terméket és végezzen rajta karbantartást.

Műszaki adatok

Műszaki adatok

	122C	122LK
Motor		
Hengerűrtartalom, cm ³	21,7	21,7
Alapjárat fordulatszám, ford/perc	2900	2900
Javasolt maximális fordulatszámot, rpm	7200	9100
Kimenőtengely fordulatszáma, ford/perc	7200	6232
Teljesítmény/legnagyobb motorteljesítmény az ISO 8893 szerint, kW/hp @ rpm	0,6/0,8 @ 7800	0,6/0,8 @ 7800
Katalizátoros hangtompító	Igen	Igen
Fordulatszám-szabályozott gyújtásrendszer	Nem	Nem
Gyújtásrendszer		
Gyújtógyertya	HQT-4 672201	HQT-4 672201
Elektródahézag, mm	0,5	0,5
Üzemanyagrendszer		
Üzemanyagtartály űrtartalma, l/cm ³	0,3/300	0,3/300
Tömeg		
Tömeg üzemanyag, vágófelszerelés és védőburkolat nélkül, kg	4,4	4,8
Zajkibocsátás ³⁷		
Hangteljesítményszint, dB(A)-ben mérve	102	104
Hangteljesítményszint, garantált (L _{WA}), dB(A)	104	108
Zajszintek ³⁸		

³⁷ A környezetben a 2000/14/EK sz. EK irányelvvel összhangban hangteljesítményként mért zajkibocsátás (L_{WA}). A termék jelentésben szereplő hangteljesítményszintjét a legmagasabb szintet produkáló eredeti vágófelszereléssel mérték. A garantált és a mért hangteljesítmény közötti különbségnek az az oka, hogy a garantált hangteljesítmény tartalmazza a mérési eredményben lévő ingadozást és az azonos modellű termékek közti eltéréseket is a 2000/14/EK jelű irányelv értelmében.

³⁸ A termék ekvivalens hangnyomásszintjére vonatkozó jelentési adatok az 1 dB (A) tipikus statisztikus ingadozásával (szórásával) rendelkeznek.

	122C	122LK
A kezelő hallószervére gyakorolt, EN ISO 11806 és ISO 22868 szerint mért hangnyomásszint db(A):	88	90
Rezgésszintek ³⁹		
Egyenértékű rezgésszint ($a_{hv, eq}$) damilfejjel, bal fogantyú, m/s ²	5,0	3,6
Egyenértékű rezgésszint ($a_{hv, eq}$) damilfejjel, jobb fogantyú, m/s ²	3,6	3,5

Tartozékok

Tartozékok

122C		
Eredeti tartozékok	Típus	A vágófelszerelés védőburkolata
Menetes tengely	3/8 R	–
Damilfej	T25 (Ø 2,0–2,4 mm-es szál)	574 47 95-01
	T25C (Ø 2,0–2,7 mm-es szál)	
	R25 (Ø 2,0–2,4 mm-es szál)	
122LK		
Eredeti tartozékok	Típus	A vágófelszerelés védőburkolata
Menetes tengely	M10	–
Damilfej	T25 (Ø 2,0–2,4 mm-es szál)	574 19 87-01
	R25 (Ø 2,0–2,4 mm-es szál)	

A megadott modellekhez az alábbi vágófelszerelések javasoltak.

Jóváhagyott tartozékok	Típus	Ehhez a típushoz
Seprű tartozék	SR600-2	122LK
Sövénynyíró toldalék	HA200	122LK
Sövénynyíró toldalék	HA860	122LK
Szegélynyíró toldalék	ECA850, ESA860	122LK
Fűrészfeltét	PA1100	122LK
Hosszabbító tartozék	EX780	122LK
Kultivátorfelszerelés	CA230	122LK
Fúvótoldalék	BA101	122LK

³⁹ Az ekvivalens rezgésszintre vonatkozó jelentési adatok az 1 m/s² tipikus statisztikus ingadozásával (szórásával) rendelkeznek.

Jóváhagyott tartozékok	Típus	Ehhez a tpushoz
Sórtés kefe tartozék	BR600	122LK
Gyepszellőztető tartozék	DT600	122LK

Megfelelőségi nyilatkozat

EU megfelelési nyilatkozat

A Husqvarna AB, SE-561 82 Huskvarna, Sweden (tel.: +46-36-146500), a saját felelősségére kijelenti, hogy a termék:

Leírás	Benzinmotoros fűvágó/bokorvágó
Márka	Husqvarna
Típus/modell	122C, 122LK
Megjelölés	2022-es és újabb sorozatszámok

teljes mértékben megfelelnek a következő EU-irányelveknek és szabályozásoknak:

Szabályozás	Leírás
2006/42/EK	„gépre vonatkozó”
2014/30/EU	„elektromágneses megfelelésre vonatkozó”
2000/14/EK	„kültéri zajkibocsátásra vonatkozó”
2011/65/EU	„bizonyos veszélyes anyagok alkalmazásának korlátozásával kapcsolatos”

A következő szabványok kerültek alkalmazásra:

EN ISO 12100:2010, EN ISO 11806-1:2011, ISO 14982:1998, CISPR 12:2007+A1:2009, EN IEC 63000:2018

A RISE SMP Svensk Maskinprovning AB, Box 7035, SE-750 07 Uppsala, Sweden, önkéntes típusbevizsgálást végzett a Husqvarna AB nevében.

A tanúsítványok a következő számokkal rendelkeznek: 122C - SEC/10/2271, 122LK - SEC/10/2272

Az RISE SMP Svensk Maskinprovning AB, a tanács 2000/14/EK irányelve V. függelékének való megfelelést is igazolta.

A tanúsítványok a következő számokkal rendelkeznek: 122C - 01/164/068, 122LK - 01/164/067.

Huskvarna 2022-05-13



Claes Losdal, K+F menedzser, Husqvarna AB

A műszaki dokumentációk felelőse



Sommario

Introduzione.....	260	Ricerca guasti.....	275
Sicurezza.....	262	Trasporto e rimessaggio.....	276
Montaggio.....	266	Dati tecnici.....	276
Utilizzo.....	268	Accessori.....	277
Manutenzione.....	272	Dichiarazione di conformità.....	279

Introduzione

Descrizione del prodotto

Il prodotto è un trimmer per erba con motore a benzina.

Il lavoro è in costante evoluzione per aumentare sicurezza ed efficienza durante le attività. Rivolgersi al centro di assistenza per maggiori informazioni.

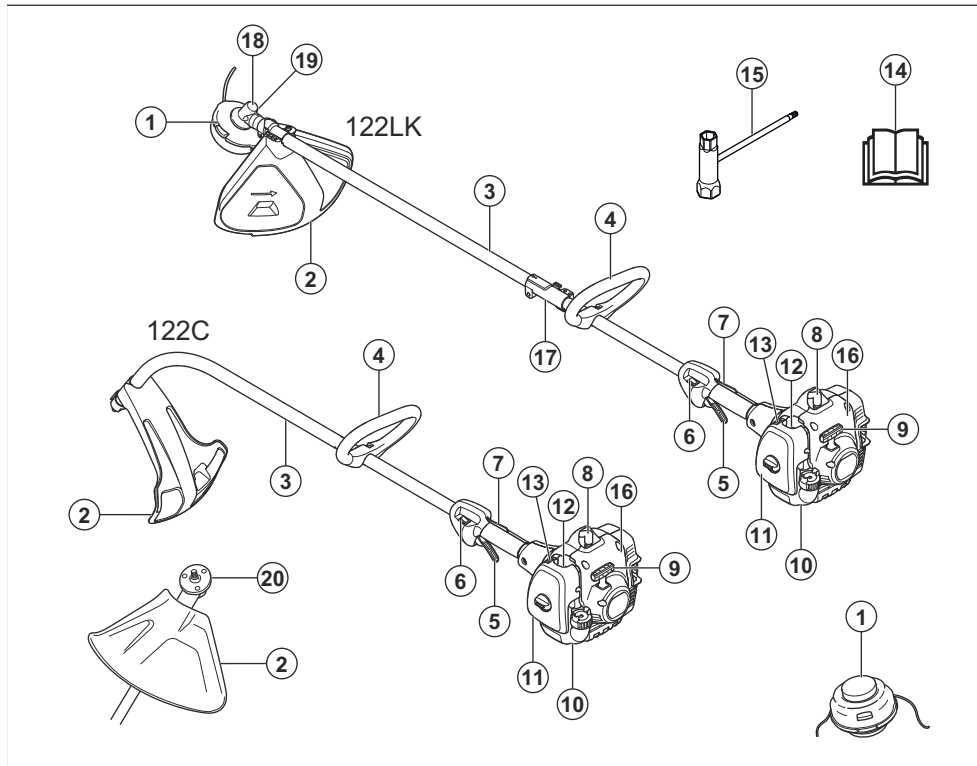
operazioni diverse dalla bordatura e dallo sfoltimento dell'erba.

Nota: I regolamenti nazionali possono imporre restrizioni sull'uso del prodotto.

Usò previsto

Il prodotto può essere utilizzato con una testina portafilo per tagliare l'erba. Non utilizzare il prodotto per altre

Panoramica del prodotto



1. Testina portafilo
2. Protezione del gruppo di taglio
3. Albero
4. Impugnatura ad anello
5. Grilletto acceleratore
6. Interruttore di arresto
7. Blocco del grilletto acceleratore
8. Cappuccio della candela e candela
9. Impugnatura cavo di avviamento
10. Serbatoio del carburante
11. Coperchio del filtro dell'aria
12. Bulbo del primer
13. Comando della valvola dell'aria
14. Istruzioni per l'uso
15. Chiave universale
16. Carter avviamento
17. Raccordo dell'albero
18. Riduttore angolare
19. Tappo di rifornimento lubrificante, riduttore angolare
20. Menabrida

Simboli riportati sul prodotto



AVVERTENZA! Questo prodotto è pericoloso. Possono verificarsi lesioni anche mortali all'operatore o ai passanti se il prodotto non viene usato con cautela e in modo corretto. Al fine di evitare lesioni all'operatore o ai passanti, leggere e seguire attentamente le istruzioni di sicurezza nel manuale operatore.



Prima dell'uso, leggere attentamente il manuale operatore e accertarsi di aver compreso le istruzioni.



Utilizzare un elmetto protettivo in luoghi in cui gli oggetti potrebbero cadere. Usare cuffie protettive omologate. Utilizzare protezioni per gli occhi omologate.



Velocità massima dell'albero in uscita.



Il prodotto è conforme alle direttive CE vigenti.



Il prodotto può causare l'espulsione di oggetti in grado di provocare lesioni.



Mantenere una distanza minima di 15 m da persone e animali quando il prodotto è in funzione.



Utilizzare guanti protettivi omologati.



Utilizzare robusti stivali antiscivolo.



Utilizzare esclusivamente un filo per il taglio flessibile. Non usare mai gruppi di taglio di metallo.



Emissioni di rumore nell'ambiente in conformità alle direttive e alle norme UE e UK e alla norma del Nuovo Galles del Sud in materia di protezione dell'ambiente "Protection of the Environment Operations (Noise Control) Regulation 2017". Il livello di potenza sonora garantito del prodotto è specificato in *Dati tecnici alla pagina 276* nonché sull'etichetta.



Primer del carburante.



Comando dell'aria.



Il presente prodotto è conforme alle direttive del Regno Unito vigenti.

aaaassxxxx

La targhetta dati di funzionamento riporta il numero di serie. **yyyy** è l'anno di produzione e **ww** è la settimana di produzione.

Nota: I restanti simboli/decalcomanie sul prodotto riguardano particolari requisiti necessari per ottenere la certificazione in altre aree commerciali.

Emissioni Euro V



AVVERTENZA: La manomissione del motore rende nulla l'omologazione UE del prodotto.

Assistenza clienti

Per assistenza, chiamare il numero: 1-800-487-5951 oppure visitare il sito www.husqvarna.com.

Responsabilità del prodotto

Come indicato nelle leggi vigenti in materia di responsabilità obbligatoria sul prodotto, non siamo responsabili per eventuali danni causati dal nostro prodotto se:

- Il prodotto viene riparato in modo errato.
- Il prodotto viene riparato con parti che non provengono o non sono omologate dal produttore.
- Il prodotto contiene un accessorio che non proviene o non è omologato dal produttore.
- Il prodotto non viene riparato presso un centro di assistenza autorizzato o presso un'autorità competente.

Sicurezza

Definizioni di sicurezza

Le avvertenze, le precauzioni e le note sono utilizzate per evidenziare le parti importanti del manuale.



AVVERTENZA: Utilizzato se è presente un rischio di lesioni o morte dell'operatore o di passanti nel caso in cui le istruzioni del manuale non vengano rispettate.



ATTENZIONE: Utilizzato se è presente un rischio di danni al prodotto, ad altri materiali oppure alla zona adiacente nel caso in cui le istruzioni del manuale non vengano rispettate.

Nota: Utilizzato per fornire ulteriori informazioni necessarie in una determinata situazione.

Istruzioni di sicurezza generali



AVVERTENZA: Leggere le seguenti avvertenze prima di utilizzare il prodotto.

- Utilizzare il prodotto in modo corretto. Un uso improprio può causare lesioni o la morte. Utilizzare il prodotto solo per le attività riportate nel presente manuale. Non utilizzare il prodotto per altre attività.
- Attenersi alle istruzioni contenute nel presente manuale. Rispettare i simboli di sicurezza e le istruzioni di sicurezza. In caso di mancata osservanza delle istruzioni e dei relativi simboli, si potrebbero causare lesioni personali, danni o la morte.
- Non gettare il presente manuale. Utilizzare le istruzioni per assemblare, azionare e mantenere il prodotto in buone condizioni. Utilizzare le istruzioni per installare correttamente attrezzature e accessori. Utilizzare esclusivamente attrezzature e accessori omologati.
- Non utilizzare un prodotto danneggiato. Attenersi al programma di manutenzione. Eseguire solo gli

interventi di manutenzione riportati nelle istruzioni di questo manuale. Tutti gli altri interventi di manutenzione devono essere effettuati da un centro di assistenza autorizzato.

- Il presente manuale non include tutte le situazioni che possono verificarsi quando si utilizza il prodotto. Prestare la massima attenzione e usare il buon senso. Non utilizzare il prodotto o eseguire interventi di manutenzione sul prodotto se non si è sicuri. Per ulteriori informazioni parlare con un esperto del prodotto, il vostro rivenditore, l'officina o il centro di assistenza autorizzato.
- Scollegare il cavo della candela prima di assemblare il prodotto, conservarlo in magazzino o eseguire la manutenzione.
- Non utilizzare il prodotto se è stato modificato in qualche modo rispetto alle caratteristiche iniziali. Non sostituire una parte del prodotto senza previa approvazione del produttore. Utilizzare esclusivamente parti approvate dal produttore. Una manutenzione impropria può causare lesioni o la morte.
- Non respirare i fumi provenienti dal motore. L'inalazione prolungata dei fumi di scarico del motore è dannosa per la salute.
- Non avviare il prodotto in ambienti chiusi o vicino a materiale infiammabile. I fumi di scarico sono molto caldi e possono contenere scintille in grado di provocare incendi. Un flusso d'aria insufficiente può causare lesioni o la morte dovute ad asfissia o al monossido di carbonio.
- Quando si utilizza questo prodotto, il motore genera un campo elettromagnetico. Il campo elettromagnetico può danneggiare gli impianti medici. Rivolgersi al medico e al produttore degli impianti medici prima di utilizzare il prodotto.
- Non consentire ai bambini di utilizzare il prodotto. Non permettere a nessuno che non conosca le istruzioni di utilizzare il prodotto.
- Assistere sempre una persona, con capacità fisica o mentale ridotta, quando utilizza il prodotto. È necessaria sempre la supervisione di un adulto responsabile.
- Conservare il prodotto in un'area a cui bambini o persone non autorizzate non possano accedere.

- Il prodotto può espellere oggetti e causare lesioni. Attenersi alle istruzioni di sicurezza per ridurre il rischio di lesioni o morte.
- Non allontanarsi dal prodotto con il motore in funzione.
- L'operatore del prodotto è responsabile in caso di incidente.
- Verificare che i componenti non siano danneggiati prima di utilizzare il prodotto.
- Tenersi a una distanza di almeno 15 m (50 piedi) da persone o animali prima di utilizzare il prodotto. Verificare che le persone circostanti siano a conoscenza del fatto che il prodotto verrà azionato.
- Fare riferimento alle normative nazionali o locali, in quanto possono impedire o limitare il funzionamento del prodotto in determinate condizioni.
- Non utilizzare il prodotto quando si è stanchi, o sotto effetto di alcool, farmaci o medicinali. Essi possono avere effetti negativi sulla concentrazione, la vista, la capacità di valutazione o di coordinazione.
- Non accendere il prodotto se non si è sicuri che la zona di sicurezza sia sgombra da persone o animali.
- Rimuovere tutti i materiali indesiderati dall'area di lavoro prima di iniziare. Se il gruppo di taglio colpisce un oggetto, questo può saltare fuori causando lesioni o danni. Del materiale indesiderato può avvolgersi attorno al gruppo di taglio e causare dei danni.
- Non utilizzare il prodotto in condizioni meteorologiche sfavorevoli (nebbia, pioggia, vento forte, fulmini o altre condizioni climatiche). Condizioni meteorologiche sfavorevoli possono causare situazioni di pericolo (come superfici scivolose).
- Assicurarsi di potersi muovere liberamente e lavorare in una posizione stabile.

Istruzioni di sicurezza per il montaggio



AVVERTENZA: Leggere le seguenti avvertenze prima di utilizzare il prodotto.

- Rimuovere il cappuccio dalla candela prima di assemblare il prodotto.
- Utilizzare guanti protettivi omologati.
- Assicurarsi di montare correttamente il coperchio e l'albero prima di avviare il motore.

Istruzioni di sicurezza per il funzionamento

- Accertarsi che il prodotto sia completamente assemblato prima di utilizzarlo.
- Prima dell'avviamento, spostare il prodotto di 3 m (10 ft) dal punto in cui è stato riempito il serbatoio del carburante. Posizionare il prodotto su una superficie piana. Assicurarsi che il gruppo di taglio non venga a contatto con il terreno o con altri oggetti.
- Il prodotto può causare l'espulsione di oggetti, che può risultare pericolosa per gli occhi. Utilizzare sempre una protezione per gli occhi omologata durante l'utilizzo del prodotto.
- Prestare la massima attenzione, un bambino può avvicinarsi al prodotto senza che ve ne accorgiate durante il funzionamento.
- Non utilizzare il prodotto in presenza di persone nell'area di lavoro. Arrestare il prodotto nel caso in cui una persona acceda all'area di lavoro.
- Mantenere sempre il controllo del prodotto.
- Non utilizzare il prodotto se non è possibile ricevere soccorso in caso di incidente. Assicurarsi sempre che gli altri sappiano che azionerete il prodotto prima di iniziare a utilizzarlo.



- Assicurarsi di essere stabili e non correre il rischio di cadere durante l'uso del prodotto. Non inclinarsi durante l'uso del prodotto.
- Tenere sempre il prodotto con due mani. Tenere il prodotto sul lato destro del proprio corpo.



- Utilizzare il prodotto con il gruppo di taglio al di sotto della vita.
- Se il comando della valvola dell'aria si trova nella posizione di starter all'avviamento del motore, il gruppo di taglio inizia a ruotare.
- Non toccare il riduttore angolare dopo l'arresto del motore. Il riduttore angolare è caldo dopo l'arresto del motore. Superfici calde possono causare lesioni.
- Arrestare il motore prima di spostare il prodotto.
- Non appoggiare a terra il prodotto con il motore acceso.
- Prima di rimuovere materiali indesiderati dal prodotto, arrestare il motore e attendere fino a quando il gruppo di taglio si arresta. Lasciare che

il gruppo di taglio si arresti prima di rimuovere il materiale tagliato.

Dispositivi di protezione individuale



AVVERTENZA: Leggere le seguenti avvertenze prima di utilizzare il prodotto.

- Usare sempre abbigliamento protettivo personale omologato quando si utilizza il prodotto. L'uso di abbigliamento protettivo personale non elimina il rischio di lesioni, ma ne riduce la gravità in caso di incidente. Farsi consigliare dal rivenditore per la scelta dell'attrezzatura adatta.
- Elmetto protettivo laddove sussiste il rischio di caduta di oggetti.
- Usare cuffie protettive con effetto insonorizzante adeguato. Una lunga esposizione al rumore può comportare lesioni permanenti all'udito.
- Utilizzare protezioni per gli occhi omologate. Con l'uso della visiera è necessario anche l'uso di occhiali protettivi omologati. Con il termine occhiali protettivi omologati si intendono occhiali che siano conformi alle norme ANSI Z87.1 per gli USA o EN 166 per i paesi EU.
- Utilizzare una visiera per proteggere il viso. Una visiera non è sufficiente a proteggere gli occhi.



- Indossare guanti ove necessario, ad esempio per montare, ispezionare o pulire l'attrezzatura di taglio.
- Utilizzare stivali robusti e antidrucciolo.
- Indossare indumenti di tessuto resistente. Indossare sempre pantaloni lunghi e pesanti e maniche lunghe. Non indossare indumenti larghi che potrebbero impigliarsi nei ramoscelli e nei rami. Non indossare gioielli, pantaloni corti o sandali e non lavorare a piedi nudi. Raccogliere i capelli in modo sicuro sopra le spalle.



- Tenere a portata di mano il kit di primo soccorso.



Dispositivi di sicurezza sul prodotto

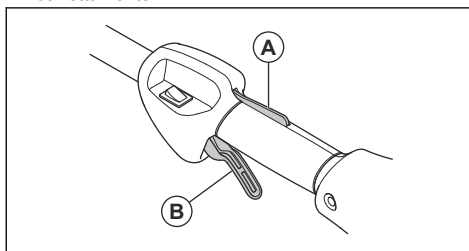


AVVERTENZA: Leggere le seguenti avvertenze prima di utilizzare il prodotto.

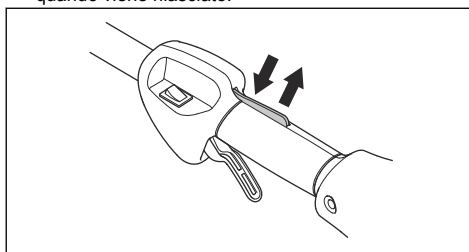
- Non utilizzare un prodotto con dispositivi di sicurezza difettosi.
- Effettuare regolarmente un controllo dei dispositivi di sicurezza. Fare riferimento a *Programma di manutenzione alla pagina 272*.
- Se i dispositivi di sicurezza sono difettosi, rivolgersi al rivenditore Husqvarna.

Controllo del blocco del grilletto acceleratore

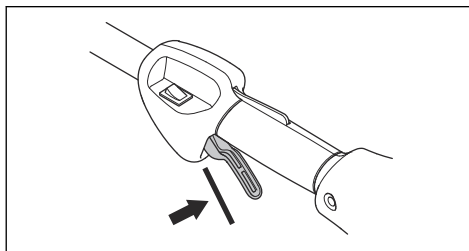
1. Controllare che il blocco del grilletto acceleratore (A) e il grilletto dell'acceleratore (B) si muovano liberamente e che le molle di richiamo funzionino correttamente.



2. Abbassare il blocco del grilletto acceleratore e accertarsi che ritorni nella sua posizione iniziale quando viene rilasciato.



3. Assicurarsi che il grilletto dell'acceleratore sia bloccato sul minimo quando il blocco del grilletto dell'acceleratore viene rilasciato.



4. Avviare il prodotto e accelerare al massimo.

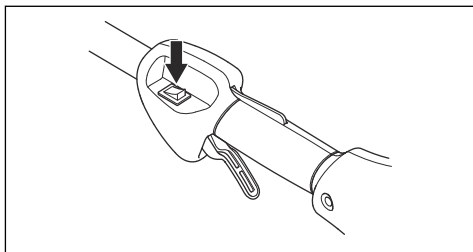
5. Rilasciare il grilletto dell'acceleratore e accertarsi che le lame si arrestino e rimangano ferme.



AVVERTENZA: Se le lame ruotano mentre l'acceleratore è al minimo, è necessario regolare al minimo il carburatore. Vedere *Per regolare il regime minimo alla pagina 273.*

Controllo dell'interruttore di arresto

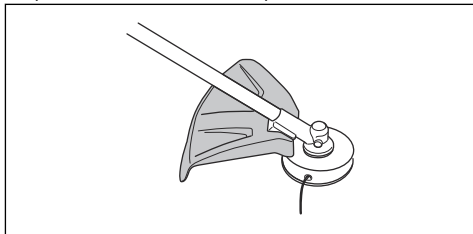
1. Avviare il motore.
2. Spostare l'interruttore di arresto in posizione di arresto e accertarsi che il motore si arresti.



Controllo della protezione del gruppo di taglio

La protezione del gruppo di taglio impedisce che gli oggetti vengano scagliati in direzione dell'operatore. Inoltre impedisce gli infortuni che si verificano nel caso in cui si venga a contatto con il gruppo di taglio.

1. Spegnerne il motore.
2. Eseguire un controllo visivo per verificare l'eventuale presenza di danni, ad esempio incrinature.



3. Se danneggiata, sostituire la protezione del gruppo di taglio.

Marmitta

- Non utilizzare un motore con una marmitta danneggiata. Una marmitta danneggiata aumenta il livello acustico e il rischio di incendio. Tenere sempre un estintore a portata di mano.
- Controllare con regolarità che la marmitta sia collegata al prodotto.
- Non toccare il motore o la marmitta quando il motore è acceso. Non toccare il motore o la marmitta per alcuni istanti dopo lo spegnimento del motore. Superfici calde possono causare lesioni.

- Una marmitta calda può causare un incendio. Prestare la massima attenzione se si utilizza il prodotto in prossimità di liquidi infiammabili o fumi.
- Non toccare le parti della marmitta se danneggiata. Le parti possono contenere alcune sostanze chimiche cancerogene.

Gruppo di taglio



AVVERTENZA: Leggere le seguenti avvertenze prima di utilizzare il prodotto.

- Eseguire la manutenzione ordinaria. Far esaminare il gruppo di taglio da un centro di assistenza autorizzato per eventuali regolazioni o riparazioni.
 - Le prestazioni del gruppo di taglio aumentano.
 - La durata del gruppo di taglio aumenta.
 - E riduce il rischio di incidenti.
- Utilizzare solo una protezione del gruppo di taglio omologata. Vedere *Accessori alla pagina 277.*
- Non utilizzare un gruppo di taglio danneggiato.

Sicurezza nell'uso del carburante



AVVERTENZA: leggere le seguenti avvertenze prima di utilizzare il prodotto.

- Non miscelare il carburante in un ambiente chiuso o in prossimità di una fonte di calore.
- Non avviare il prodotto nel caso in cui vi sia carburante o olio motore su di esso. Rimuovere il carburante/olio indesiderato e lasciare che il prodotto si asciughi. Rimuovere il carburante indesiderato dal prodotto.
- In caso di perdite di carburante sugli indumenti, cambiarsi immediatamente.
- Il carburante non deve arrivare a contatto con il corpo, poiché può causare lesioni. In caso di contatto del carburante con il corpo, rimuoverlo con acqua e sapone.
- Non avviare il motore in caso di contatto dell'olio o del carburante con il prodotto o con il proprio corpo.
- Non avviare il prodotto se il motore presenta una perdita. Esaminare regolarmente il motore per verificare la presenza di eventuali perdite.
- Prestare la massima attenzione con il carburante. Il carburante è infiammabile e i fumi sono esplosivi quindi possono causare lesioni o morte.
- Non respirare i fumi del carburante perché possono causare lesioni. Accertarsi che vi sia un flusso d'aria sufficiente.
- Non fumare in prossimità del carburante o del motore.
- Non posizionare oggetti caldi in prossimità del carburante o del motore.
- Non aggiungere carburante a motore acceso.

- Assicurarsi che il motore sia freddo prima di effettuare il rifornimento.
- Prima di effettuare il rifornimento, aprire lentamente il tappo del serbatoio del carburante e rilasciare la pressione con cautela.
- Assicurarsi che vi sia un flusso d'aria sufficiente durante il rifornimento e la miscelazione del carburante (benzina e olio a due tempi) o lo scarico del serbatoio del carburante.
- Il carburante e il relativo vapore sono altamente infiammabili e la loro inalazione o il contatto con la pelle può provocare gravi lesioni. Agire dunque con cautela quando si utilizza il carburante e accertarsi che vi sia un flusso d'aria sufficiente.
- Serrare il tappo del serbatoio del carburante con cautela, altrimenti potrebbe verificarsi un incendio.
- Prima dell'avviamento, spostare il prodotto di almeno 3 m (10 ft) dal punto in cui è stato riempito il serbatoio del carburante.
- Non rabboccare il serbatoio con una quantità eccessiva di carburante.
- Assicurarsi che non si verifichino perdite quando si sposta il prodotto o la tanica carburante.
- Non posizionare il prodotto o una tanica carburante in ambienti in cui siano presenti fiamme libere, scintille o fiamme pilota. Assicurarsi che l'area di rimessaggio non contenga fiamme libere.
- Utilizzare solo contenitori omologati per spostare il carburante o riporlo in magazzino.
- Svuotare il serbatoio del carburante prima di lunghi periodi di stoccaggio. Attenersi alle leggi locali sullo smaltimento del carburante.
- Pulire il prodotto prima di un lungo periodo di stoccaggio.
- Rimuovere il cappuccio della candela prima di conservare il prodotto in magazzino per assicurarsi che il motore non si avvii accidentalmente.
- Arrestare il motore, accertarsi che il gruppo di taglio si fermi e lasciare che il prodotto si raffreddi prima di eseguire la manutenzione.
- Rimuovere il cappuccio dalla candela prima di eseguire la manutenzione.
- I fumi di scarico del motore contengono monossido di carbonio, un gas inodore, velenoso e altamente pericoloso che può causare la morte. Non far funzionare il prodotto in ambienti chiusi o in spazi angusti.
- I fumi di scarico del motore sono molto caldi e possono contenere scintille. Non mettere in funzione il prodotto in ambienti chiusi o vicino a materiale infiammabile.
- Accessori e modifiche apportate al prodotto che non siano stati approvati dal costruttore possono causare gravi lesioni, anche fatali. Non apportare modifiche al prodotto. Utilizzare sempre accessori originali.
- Se la manutenzione non viene eseguita correttamente e con regolarità, vi è un aumento nel rischio di lesioni personali e danni al prodotto.
- Eseguire unicamente la manutenzione consigliata in questo manuale operatore. Rivolgersi a un'officina Husqvarna autorizzata per tutti gli altri interventi.
- Rivolgersi a un'officina Husqvarna autorizzata per far svolgere regolarmente interventi di manutenzione sul prodotto.
- Sostituire le parti danneggiate, usurate o rotte.
- Per l'esatta procedura di montaggio del filo del trimmer e per la scelta di un filo dal diametro adatto, vedere le istruzioni per il gruppo di taglio.
- Mantenere i denti della lama affilati accuratamente e nel modo giusto. Seguire le nostre indicazioni. Vedere anche le istruzioni sulla confezione della lama.

Istruzioni di sicurezza per la manutenzione



AVVERTENZA: Leggere le seguenti avvertenze prima di utilizzare il prodotto.

Montaggio

Introduzione



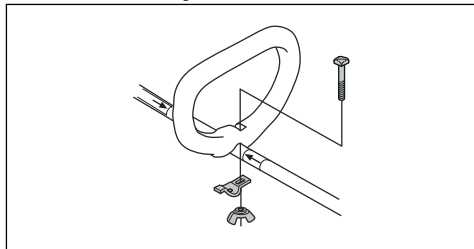
AVVERTENZA: Prima di assemblare il prodotto, leggere e comprendere il capitolo sulla sicurezza.



AVVERTENZA: Rimuovere il cavo della candela dalla candela prima di assemblare il prodotto.

Per fissare l'impugnatura ad anello

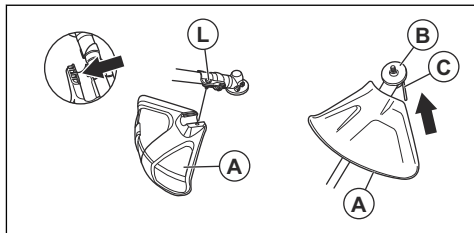
1. Fissare l'impugnatura ad anello all'albero attenendosi alla figura e serrare.



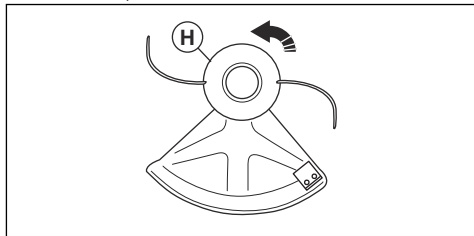
2. Verificare che l'impugnatura ad anello sia fissata tra le frecce sull'albero.

Per fissare la protezione del gruppo di taglio e la testina portafilò (albero dritto)

1. Fissare la protezione del gruppo di taglio (A) all'albero con il bullone (L).
2. Montare il menabrida (B) sull'albero in uscita.
3. Ruotare l'albero in uscita fino a quando il foro del menabrida non si allinea con il foro della scatola ingranaggi.
4. Inserire un cacciavite piccolo (C) nel foro per bloccare l'albero.

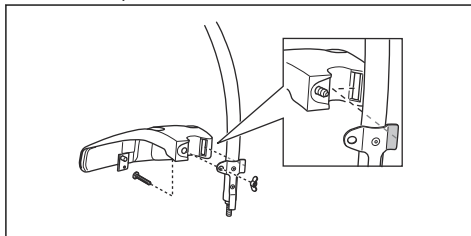


5. Ruotare la testina portafilò (H) in senso antiorario per serrarla alla trasmissione. (Filettature sinistrorse.)

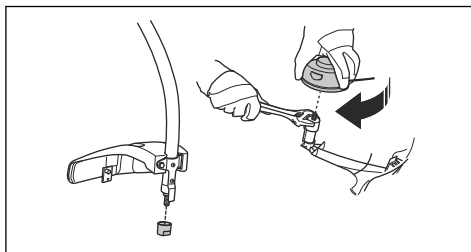


Per fissare la protezione del gruppo di taglio e la testina portafilò (albero curvo)

1. Fissare la protezione. Serrare il dado.



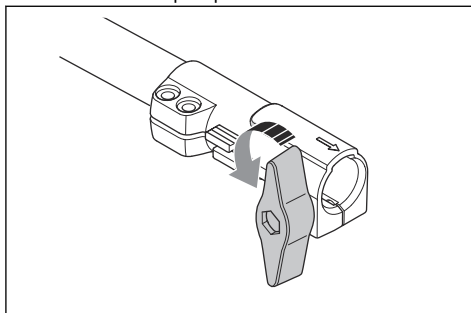
2. Fissare l'inserto sull'albero.



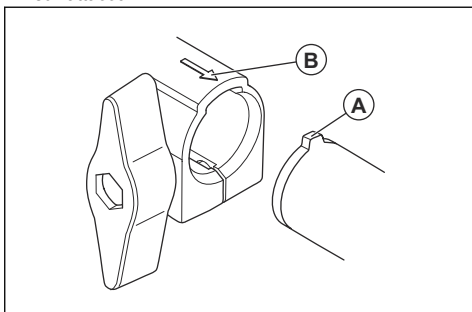
3. Mantenere la coppa raccogli-polvere con una chiave regolabile per impedire la rotazione dell'albero.
4. Fissare la testina portafilò sull'albero. Ruotare la testina portafilò in senso orario.

Assemblaggio dell'albero a due pezzi

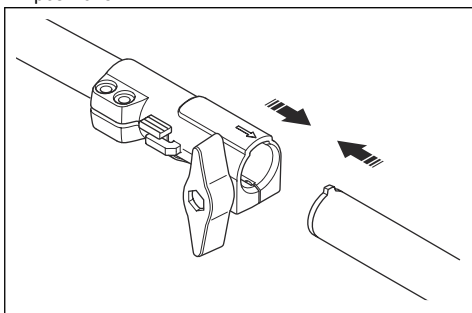
1. Ruotare la manopola per allentare l'attacco.



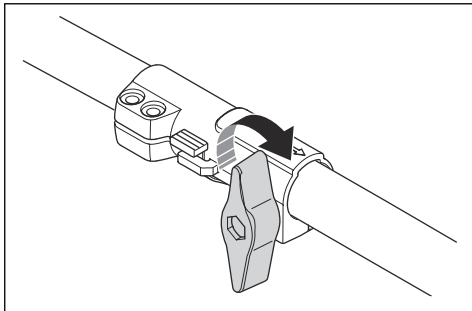
2. Allineare la linguetta (A) con la freccia (B) sull'attacco.



3. Inserire l'albero nell'attacco finché non scatta in posizione.

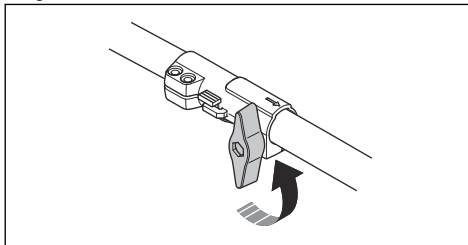


4. Serrare completamente la manopola.

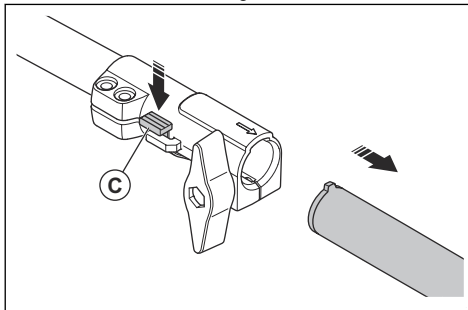


Smontaggio dell'albero a due pezzi

1. Ruotare la manopola 3 o più giri per allentare il giunto.



2. Tenere premuto il pulsante (C).
3. Afferrare saldamente l'estremità dell'albero a cui è collegato il motore.
4. Estrarre l'accessorio dal giunto.



Utilizzo

Introduzione



AVVERTENZA: Prima di utilizzare il prodotto, è necessario leggere e comprendere il capitolo relativo alla sicurezza.

Carburante

Questo prodotto è dotato di un motore a due tempi.



ATTENZIONE: Un carburante di tipo errato può causare danni al motore. Utilizzare una miscela di benzina e olio per motori a due tempi.

Carburante premiscelato

- Utilizzare carburante alchilato premiscelato Husqvarna per garantire le migliori prestazioni e prolungare la durata del motore. Questo carburante

contiene sostanze chimiche meno pericolose rispetto al normale carburante, che riduce le emissioni di scarico pericolose. Con questo carburante, che mantiene i componenti del motore più puliti, la quantità di residui dopo la combustione è inferiore.

Per miscelare il carburante

Benzina

- Utilizzare benzina senza piombo di buona qualità con massimo il 10% di etanolo.



ATTENZIONE: Non utilizzare benzina con un numero di ottani inferiore a 90 RON/87 AKI. Un numero inferiore di ottani può causare il battito in testa del motore, che provoca danni al motore.

Olio per motori a due tempi

- Per risultati e prestazioni ottimali, utilizzare l'olio per motori a due tempi Husqvarna.
- Se l'olio per motori a due tempi Husqvarna non è disponibile, utilizzare un olio per motori a due tempi raffreddati ad aria di buona qualità. Rivolgetevi al vostro rivenditore addetto all'assistenza per selezionare il tipo di olio.



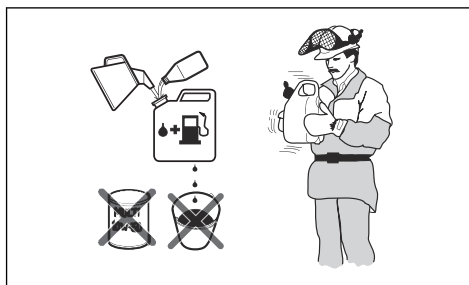
ATTENZIONE: Non usare mai olio per motori fuoribordo a due tempi raffreddati ad acqua. Non utilizzare olio per motori a quattro tempi.

Per miscelare benzina e olio per motori a due tempi

Benzina, litri	Olio a due tempi, litri
	2% (50:1)
5	0,10
10	0,20
15	0,30
20	0,40



ATTENZIONE: Piccoli errori possono influenzare drasticamente il rapporto della miscela quando si miscelano piccole quantità di carburante. Misurare con precisione la quantità d'olio e accertarsi di ottenere la giusta miscela.



- Riempire metà della quantità di benzina in un contenitore pulito per carburante.
- Aggiungere la quantità totale di olio.
- Miscelare la miscela.
- Aggiungere la quantità residua di benzina nel contenitore.
- Miscelare agitando con cura la miscela di carburante.



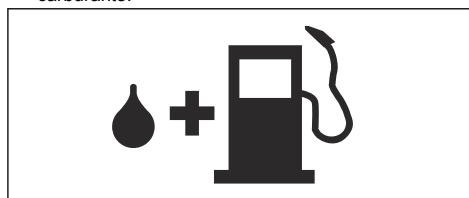
ATTENZIONE: Non miscelare il carburante più di 1 volta al mese.

Rifornimento di carburante



AVVERTENZA: Attenersi alla procedura indicata di seguito per la propria sicurezza.

- Arrestare il motore e farlo raffreddare.
- Pulire l'area intorno al tappo del serbatoio del carburante.



- Agitare il contenitore e assicurarsi che il carburante sia ben miscelato.
- Rimuovere lentamente il tappo del serbatoio del carburante per rilasciare la pressione.
- Riempire il serbatoio del carburante.



ATTENZIONE: Assicurarsi che nel serbatoio non vi sia una quantità eccessiva di carburante. Il carburante si espande quando si scalda.

- Stringere con cura il tappo del serbatoio del carburante.

- Pulire eventuale carburante fuoriuscito sul prodotto e intorno ad esso.
- Spostare il prodotto ad almeno 3 m/10 ft dal luogo e dalla fonte di rifornimento prima di avviare il motore.

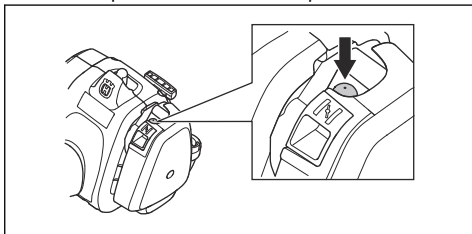
Nota: Per individuare il serbatoio del carburante sul prodotto, fare riferimento a *Panoramica del prodotto alla pagina 260*.

Esame prima dell'avviamento

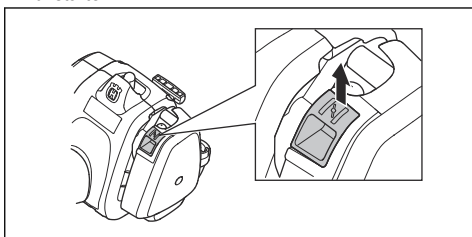
- Assicurarsi che il prodotto non presenti parti mancanti, danneggiate, allentate o usurate.
- Assicurarsi che i dadi, le viti e i bulloni siano ben serrati
- Assicurarsi che la testina portafilo non sia danneggiata.
- Assicurarsi che il filtro dell'aria non sia ostruito.
- Assicurarsi che i dispositivi di sicurezza del prodotto non siano difettosi.
- Assicurarsi che il prodotto non presenti perdite di carburante.

Avviamento del motore a freddo

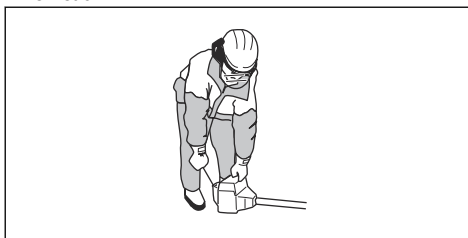
- Premere per 10 volte il bulbo del primer.



- Portare il comando della valvola dell'aria in posizione di starter.



- Mantenere il corpo del prodotto a terra con la mano sinistra.



ATTENZIONE: Non salire sul prodotto.

- Tirare l'impugnatura della fune di avviamento lentamente con la mano destra, finché non si avverte una certa resistenza. Quindi, tirare l'impugnatura della fune di avviamento rapidamente e con forza fino a quando il motore non si avvia o tenta di avviarsi.



AVVERTENZA: Non avvolgere la fune di avviamento intorno alla mano.

- Portare il comando della valvola dell'aria in posizione di funzionamento.
- Se il motore si avvia, premere leggermente il grilletto dell'acceleratore e lasciare girare il motore per 60 secondi affinché si riscaldi. Se il motore non si avvia, tirare l'impugnatura della fune di avviamento fino all'avviamento del motore. Quindi, premere leggermente il grilletto dell'acceleratore e lasciare girare il motore per 60 secondi affinché si riscaldi.



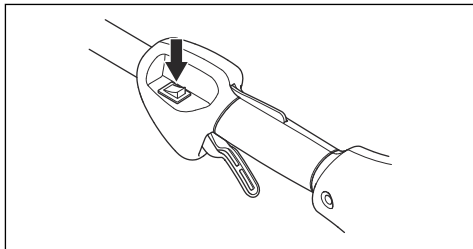
ATTENZIONE: Non tirare la fune di avviamento a estensione completa e non lasciare andare l'impugnatura della fune di avviamento. Ciò può causare danni al prodotto. Rilasciare la fune di avviamento lentamente.

Avviamento di un motore caldo

- Premere per 10 volte il bulbo del primer.
- Tirare la fune di avviamento finché il motore non si avvia.

Arresto dell'unità

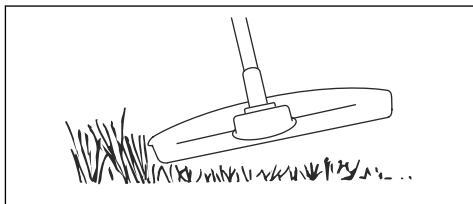
- Premere l'interruttore di arresto per arrestare il motore.



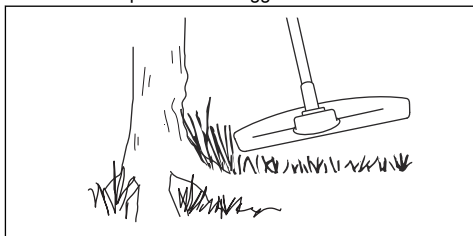
Nota: L'interruttore di arresto torna automaticamente alla posizione iniziale.

Taglio dell'erba

1. Mantenere la testina portafilo a poca distanza dal terreno ed angolarla. Non spingere il filo del trimmer nell'erba.



2. Ridurre la lunghezza del filo del trimmer di 10-12 cm / 4-4,75 in.
3. Diminuire il regime del motore per ridurre il rischio di danneggiare le piante.
4. Utilizzare l'80% dell'acceleratore durante il taglio dell'erba in prossimità di oggetti.



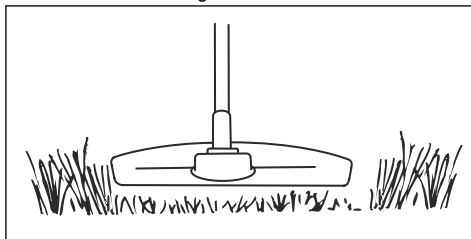
Per eliminare l'erba con una lama tagliaerba

1. Le lame e i coltelli tagliaerba non possono essere usati per i tronchi legnosi.
2. Per tutti i tipi di erba alta o robusta si usa la lama tagliaerba.

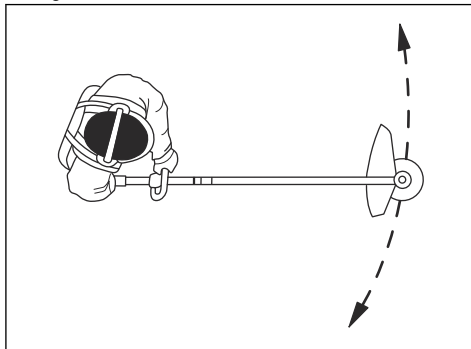
3. L'erba viene falciata con movimenti oscillanti lateralmente; il movimento da destra a sinistra costituisce il movimento di falciatura mentre il movimento da sinistra a destra è il movimento di ritorno. Lavorare col lato sinistro della lama (prendendo ad esempio l'orologio, la posizione sarebbe fra le 8 e le 12).
4. Inclinando leggermente la lama verso sinistra durante lo sfoltimento, l'erba forma un'andana che ne facilita la raccolta col rastrello.
5. Cercare di lavorare con movimenti ritmici. Assumere una posizione stabile con i piedi divaricati. Dopo il movimento di ritorno avanzare e riassumere una posizione stabile.
6. Fare in modo che la coppetta di sostegno si appoggi leggermente al terreno. La coppetta di sostegno serve a proteggere la lama dal contatto con il terreno.
7. Per evitare il rischio di materiale attorcigliato intorno alla lama, lavorare sempre a pieno acceleratore ed evitare il materiale appena tagliato nel tratto di ritorno.
8. Prima di raccogliere il materiale tagliato, spegnere il motore, sganciare il cinghiaggio e appoggiare il prodotto sul terreno.

Taglio dell'erba

1. Assicurarsi che la linea del trimmer sia parallela al terreno durante il taglio dell'erba.



2. Non spingere la testina portafilo a terra. Ciò può causare danni al prodotto.
3. Spostare il prodotto da un lato all'altro quando si taglia l'erba. Utilizzare la velocità massima.



Rimozione dell'erba

Il flusso d'aria dal filo di taglio in rotazione del trimmer può essere utilizzata per rimuovere erba tagliata da un'area.

1. Mantenere la testina portafilo e il filo di taglio paralleli al terreno e sopra di esso.
2. Accelerare al massimo.
3. Spostare la testina portafilo da un lato all'altro e spazzare via l'erba.



AVVERTENZA: Pulire il coperchio della testina portafilo ogni volta che si monta un nuovo filo di taglio per prevenire lo sbilanciamento e le vibrazioni delle impugnature. Eseguire un controllo delle altre parti della testina portafilo e pulirla, se necessario.

Testina portafilo del trimmer per erba

- Avvolgere il filo del trimmer per erba in modo che non sia lento e che sia distribuito equamente attorno al tamburo per ridurre le vibrazioni.
- Utilizzare solo le testine portafilo e i fili del trimmer per erba omologati. Vedere *Accessori alla pagina 277*.
- Utilizzare il filo del decespugliatore alla lunghezza giusta. Un filo del decespugliatore lungo utilizza maggiore potenza rispetto a uno corto.
- Verificare che il tagliente sulla protezione del gruppo di taglio non sia danneggiato.
- Immergere il filo del trimmer per erba in acqua per 2 giorni prima di attaccarlo al prodotto. Così facendo si aumenta la durata del filo del trimmer per erba.
- Per la corretta procedura di montaggio del filo e per la scelta di un filo dal diametro adatto, vedere le istruzioni per il gruppo di taglio.

Manutenzione

Introduzione



AVVERTENZA: Prima di svolgere la manutenzione, leggere e comprendere il capitolo relativo alla sicurezza.

Per tutti gli interventi di assistenza e riparazione sul prodotto, è necessaria una formazione specifica. La nostra azienda garantisce la disponibilità di personale qualificato per le riparazioni e l'assistenza. Se non avete acquistato il prodotto presso un rivenditore dotato di officina, informatevi sull'ubicazione della più vicina officina autorizzata.

Programma di manutenzione

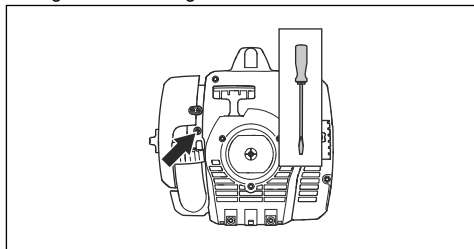
Manutenzione	Giornaliera	Una volta a settimana	Una volta al mese
Pulire la superficie esterna.	X		
Pulire il filtro dell'aria. Sostituirli se necessario.	X		
Esaminare il funzionamento del blocco dell'acceleratore e dell'acceleratore.	X		
Controllare l'interruttore di arresto.	X		
Esaminare le protezioni.	X		
Esaminare la testina portafilo.	X		
Esaminare il dado di bloccaggio.	X		
Controllare che non ci siano perdite di carburante.	X		
Assicurarsi che la lama tagliaerba sia allineata con il centro, che sia affilata e che non presenti danni sulla lama o in prossimità del foro centrale.	X		
Controllare che il gruppo di taglio non ruoti con il motore al minimo.	X		
Applicare grasso all'albero a due pezzi.		X	
Esaminare la maniglia del cavo di avviamento e la fune stessa.		X	
Esaminare il grasso del riduttore angolare.		X	

Manutenzione	Giornaliera	Una volta a settimana	Una volta al mese
Pulire la superficie esterna della candela. Rimuovere la candela e misurare la distanza tra gli elettrodi. Regolare la distanza tra gli elettrodi o sostituire la candela.		X	
Pulire il sistema di raffreddamento.		X	
Pulire o sostituire lo schermo parascintille sulla marmitta.		X	
Pulire la superficie esterna del carburatore e la zona circostante.		X	
Esaminare il filtro del carburante per verificare l'eventuale contaminazione.			X
Esaminare il tubo pescante per verificare l'eventuale presenza di danni.			X
Esaminare tutti i cavi e i raccordi.			X
Controllare che la frizione, le molle della frizione e il tamburo della frizione non siano usurati.			X
Sostituire la candela.			X

Per regolare il regime minimo

Assicurarsi che il filtro dell'aria sia pulito e che il coperchio del filtro dell'aria sia fissato prima di regolare il regime minimo.

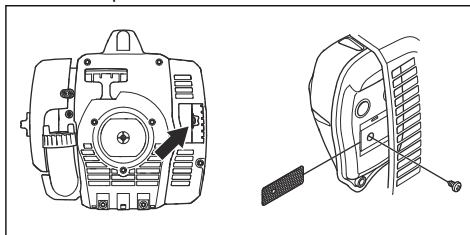
1. Ruotare in senso orario la vite T del regime minimo, indicata con il contrassegno "T", finché il gruppo di taglio non inizia a girare.



2. Ruotare in senso antiorario la vite T del regime minimo, indicata con il contrassegno "T", finché il gruppo di taglio non si arresta.
3. Deve esserci un buon margine fino al regime in cui il gruppo di taglio comincia a ruotare. Il regime minimo è corretto quando il motore funziona regolarmente in tutte le posizioni.

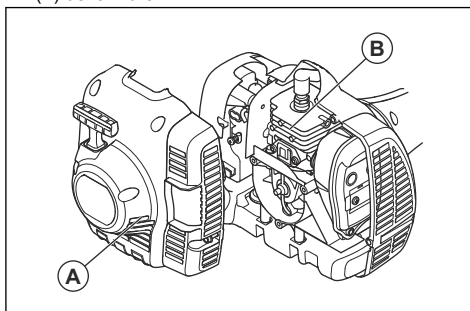
Per gli interventi di manutenzione dello schermo parascintille

- Utilizzare una spazzola metallica per pulire lo schermo parascintille.



Per pulire il sistema di raffreddamento

- Pulire, con una spazzola, la presa d'aria (A) sul motorino di avviamento e le alette di raffreddamento (B) del cilindro.

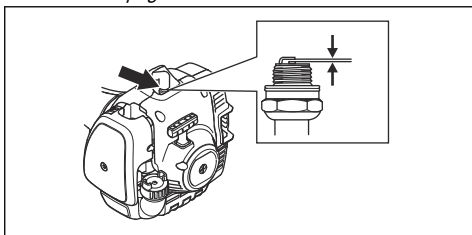


Per esaminare la candela



ATTENZIONE: Utilizzare la candela raccomandata. Accertarsi che il ricambio corrisponda al pezzo fornito dal produttore. Una candela errata può danneggiare il prodotto. Accertarsi che la candela sia montata con un dispositivo di soppressione. Rivolgersi al centro di assistenza per maggiori informazioni.

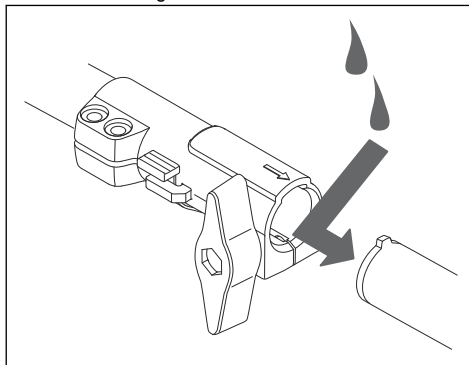
1. Esaminare la candela quando:
 - a) Il motore funziona a bassa potenza.
 - b) Il motore non si avvia facilmente.
 - c) Il motore non funziona correttamente a regime minimo.
2. Se il motore non si avvia o non funziona facilmente, esaminare la candela per verificare l'eventuale presenza di materiali indesiderati. Per ridurre il rischio di materiale superfluo sugli elettrodi delle candele:
 - a) Accertarsi che il regime minimo sia regolato correttamente.
 - b) Accertarsi che la miscela sia corretta.
 - c) Accertarsi che il filtro dell'aria sia pulito.
3. Pulire la candela se sporca. Assicurarsi che la distanza tra gli elettrodi sia corretta. Vedere *Dati tecnici alla pagina 276*.



4. Sostituire la candela secondo necessità.

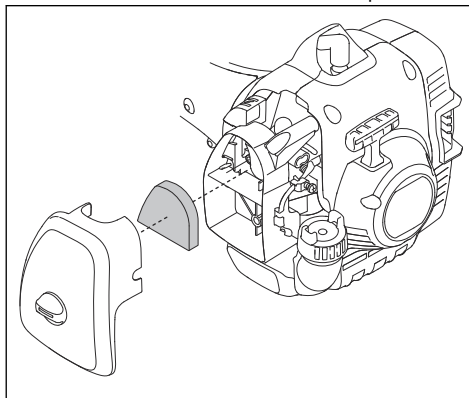
Per applicare grasso all'albero a due pezzi

- Applicare del grasso sull'estremità dell'albero di trasmissione ogni 30 ore di funzionamento.



Per pulire il filtro dell'aria

1. Rimuovere il filtro dell'aria e il relativo coperchio.



2. Pulire il filtro dell'aria con acqua calda e sapone. Accertarsi che il filtro dell'aria sia asciutto prima di montarlo.
3. Sostituire il filtro dell'aria se è troppo sporco per poterlo pulire completamente. Sostituire sempre un filtro dell'aria danneggiato.
4. Se il prodotto dispone di un filtro dell'aria a schiuma, applicare dell'olio adeguato. Applicare olio solo a un filtro a schiuma. Non applicare olio a un filtro in feltro.

Per applicare olio al filtro dell'aria

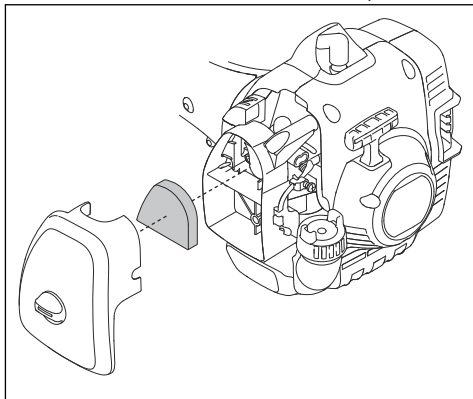


ATTENZIONE: Utilizzare sempre olio speciale sui filtri dell'aria a schiuma. Non utilizzare altri tipi di olio.

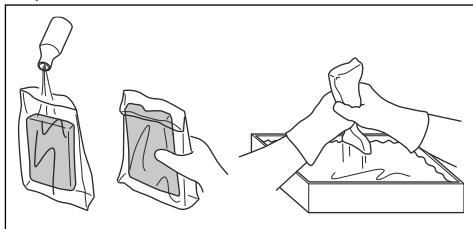


AVVERTENZA: Evitare che l'olio vada a contatto con il proprio corpo.

1. Rimuovere il filtro dell'aria e il relativo coperchio.



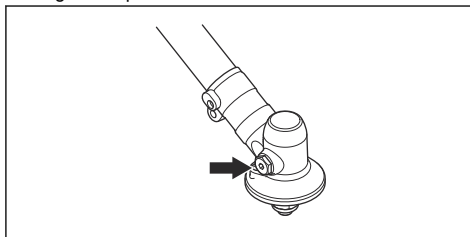
2. Riporre il filtro dell'aria in un sacchetto di plastica.
3. Versare l'olio per il filtro dell'aria nel sacchetto di plastica.



4. Esercitare una pressione sul sacchetto di plastica per assicurarsi che l'olio venga distribuito in modo uniforme sul filtro dell'aria.
5. Esercitare una pressione sul filtro dell'aria, contenuto nel sacchetto di plastica, per rimuovere l'olio che non è necessario. Rimuovere il filtro dell'aria dal sacchetto.
6. Montare il filtro dell'aria.

Aggiunta del grasso al riduttore angolare

- Assicurarsi che il riduttore angolare sia pieno per $\frac{3}{4}$ di grasso specifico.



Ricerca guasti

Il motore non si avvia

Controllo	Possibile causa	Procedimento
Ganci del motorino di avviamento.	I ganci del motorino di avviamento non possono muoversi liberamente.	Rimuovere il coperchio del motorino di avviamento e pulire la zona circostante i ganci. Chiedere aiuto a un centro di assistenza autorizzato.
Serbatoio carburante.	Tipo di carburante non adatto.	Svuotare il serbatoio del carburante e sostituire con carburante corretto.

Controllo	Possibile causa	Procedimento
Candela.	La candela è sporca o umida.	Accertarsi che la candela sia asciutta e pulita.
	La distanza tra gli elettrodi della candela è errata.	Pulire la candela. Assicurarsi che la distanza tra gli elettrodi sia corretta. Accertarsi che la candela sia munita di un dispositivo di soppressione.
		Per la corretta distanza tra gli elettrodi, fare riferimento a <i>Dati tecnici alla pagina 276</i> .
	La candela è allentata.	Serrare la candela.

Il motore si avvia ma si arresta nuovamente

Controllo	Possibile causa	Procedimento
Serbatoio del carburante	Tipo di carburante non adatto.	Svuotare il serbatoio del carburante e sostituire con carburante corretto.
Filtro dell'aria	Il filtro dell'aria è ostruito.	Pulire il filtro dell'aria.

Trasporto e rimessaggio

- Fare raffreddare sempre il prodotto prima del rimessaggio.
- Per trasportare e conservare il prodotto e il carburante, accertarsi che non vi siano perdite o fumi. Scintille o fiamme aperte, provocate ad esempio da dispositivi elettrici o caldaie, possono innescare un incendio.
- Utilizzare sempre contenitori approvati per la conservazione e il trasporto del carburante.
- Svuotare il carburante prima del trasporto o prima di lunghi periodi di rimessaggio. Smaltire il carburante presso un apposito centro di smaltimento.
- Fissare la protezione di trasporto durante il trasporto e lo stoccaggio.
- Rimuovere il cappuccio dalla candela.
- Fissare il prodotto durante il trasporto. Assicurarsi che non si possa spostare.
- Pulire ed effettuare la manutenzione del prodotto prima di lunghi periodi di stoccaggio.

Dati tecnici

Dati tecnici

	122C	122LK
Motore		
Cilindrata, cm ³	21,7	21,7
Regime minimo, giri/min	2900	2900
Regime di massima raccomandato, giri/min	7200	9100
Regime albero in uscita, giri/min	7200	6232

	122C	122LK
Potenza / potenza max. motore a norma ISO 8893, kW/hp giri/min.	0,6/0,8 @ 7800	0,6/0,8 @ 7800
Marmitta con convertitore catalitico	Sì	Sì
Impianto di accensione con regolazione della velocità	No	No
Impianto di accensione		
Candela	HQT-4 672201	HQT-4 672201
Distanza tra gli elettrodi, mm	0,5	0,5
Sistema di alimentazione		
Capacità del serbatoio del carburante, l/cm ³	0,3/300	0,3/300
Peso		
Peso, escluso carburante, gruppo di taglio e protezione, kg	4,4	4,8
Emissioni di rumore ⁴⁰		
Livello potenza acustica, misurato dB(A)	102	104
Livello di potenza acustica, garantito (L _{WA}), dB(A)	104	108
Livelli di rumorosità ⁴¹		
Livello di pressione acustica equivalente rispetto all'udito dell'operatore, misurato in base alle norme EN/ISO 11806 e ISO 22868, [dB(A)]	88	90
Livelli di vibrazioni ⁴²		
Livello di vibrazioni equivalente (a _{hv, eq}) testina portafilo in dotazione, impugnatura sinistra, m/s ²	5,0	3,6
Livello di vibrazioni equivalente (a _{hv, eq}) testina portafilo in dotazione, impugnatura destra, m/s ²	3,6	3,5

Accessori

Accessori

122C		
Accessori omologati	Tipo	Protezione del gruppo di taglio
Albero filettato	3/8 R	-

⁴⁰ Emissioni di rumore nell'ambiente misurate come potenza sonora (L_{WA}) in base alla direttiva CE 2000/14/CE. Il livello di potenza acustica riportato per il prodotto è stato misurato con il gruppo di taglio originale che emette il livello massimo. La differenza tra potenza acustica misurata e garantita è che la potenza acustica garantita comprende anche la dispersione nel risultato di misurazione e le variazioni tra diversi prodotti dello stesso modello come da Direttiva 2000/14/CE.

⁴¹ I dati riportati per il livello di pressione acustica equivalente del macchinario hanno una dispersione statistica tipica (deviazione standard) di 1 dB (A).

⁴² I dati riportati per il livello di vibrazioni equivalente hanno una dispersione statistica tipica (deviazione standard) di 1 m/s².

Testina portafilo	T25 (filo da Ø 2,0 - 2,4 mm)	574 47 95-01
	T25C (filo da Ø 2,0 - 2,7 mm)	
	R25 (filo da Ø 2,0 - 2,4 mm)	
122LK		
Accessori omologati	Tipo	Protezione del gruppo di taglio
Albero filettato	M10	-
Testina portafilo	T25 (filo da Ø 2,0 - 2,4 mm)	574 19 87-01
	R25 (filo da Ø 2,0 - 2,4 mm)	

I seguenti accessori sono raccomandati per i modelli indicati di seguito.

Accessori approvati	Tipo	Da usarsi con
Accessorio spazzola	SR600-2	122LK
Accessorio tagliasiepi	HA200	122LK
Accessorio tagliasiepi	HA860	122LK
Accessorio tagliabordi	ECA850, ESA860	122LK
Accessorio motosega	PA1100	122LK
Accessorio prolunga	EX780	122LK
Accessorio zappatrice	CA230	122LK
Accessorio soffiatore	BA101	122LK
Accessorio con spazzola a setole	BR600	122LK
Accessorio arieggiatore	DT600	122LK

Dichiarazione di conformità

Dichiarazione di conformità UE

Husqvarna AB, SE-561 82 Huskvarna, Svezia, tel.:
+46-36-146500, dichiara sotto la propria esclusiva
responsabilità che il prodotto indicato:

Descrizione	Decespugliatore a scoppio
Marchio	Husqvarna
Tipo / Modello	122C, 122LK
Identificazione	A partire dal numero di serie 2022 e successivi

È pienamente conforme alle seguenti norme e direttive
UE:

Regolamento	Descrizione
2006/42/CE	"relativa alle macchine"
2014/30/UE	"sulla compatibilità elettromagnetica"
2000/14/CE	"sul rumore esterno"
2011/65/UE	"restrizione dell'uso di determinate sostanze pericolose"

Sono state applicate le seguenti norme:

EN ISO 12100:2010, EN ISO 11806-1:2011, ISO
14982:1998, CISPR 12:2007+A1:2009, EN IEC
63000:2018

RISE SMP Svensk Maskinprovning AB, Box
7035, SE-750 07 Uppsala, Sweden, ha eseguito
l'omologazione volontaria per conto di Husqvarna AB.

I certificati hanno i seguenti numeri: 122C -
SEC/10/2271, 122LK - SEC/10/2272

RISE SMP Svensk Maskinprovning AB, ha inoltre
l'accordo verificato con l'Appendice V della Direttiva del
Consiglio 2000/14/CE.

I certificati hanno i seguenti numeri: 122C - 01/164/068,
122LK - 01/164/067.

Huskvarna 2022-05-13



Claes Losdal, Responsabile ricerca e sviluppo,
Husqvarna AB

Responsabile della documentazione tecnica



TURINYS

Įvadas.....	280	Gedimai ir jų šalinimas.....	295
Sauga.....	282	Gabenimas ir laikymas.....	295
Surinkimas.....	286	Techniniai duomenys.....	296
Naudojimas.....	288	Priedai.....	297
Techninė priežiūra.....	291	Atitikties deklaracija.....	298

Įvadas

Gaminio aprašas

Gaminys yra žoliapjovė su vidaus degimo varikliu.

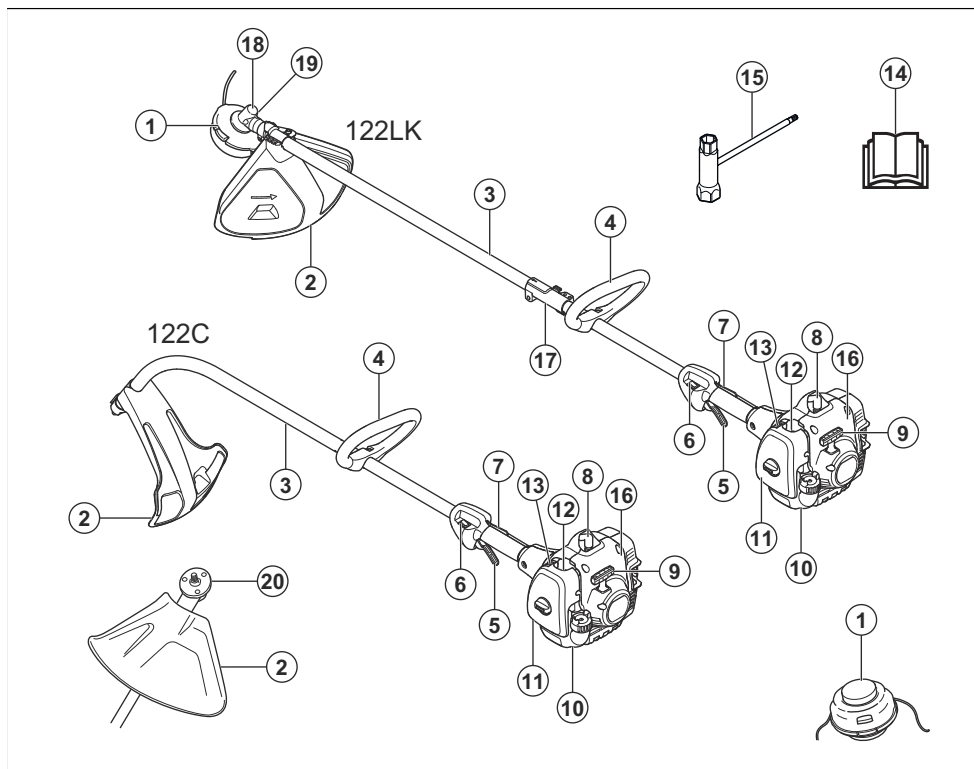
Nuolat stengiamės padidinti jūsų saugumą ir eksploatacijos efektyvumą. Dėl išsamesnės informacijos prašome kreiptis į savo techninės priežiūros atstovą.

Naudojimas

Gaminys naudojamas su žoliapjovės galvute žolei pjauti. Nenaudokite gaminio kitiems darbams, išskyrus žolės pjovimą ir žolės valymą.

Pasižymėkite: Nacionaliniai įstatymai gali nustatyti apribojimus šio produkto naudojimui.

Gaminio apžvalga



1. Žoliapjovės galvutė
2. Pjovimo įtaiso apsauga
3. Velenas
4. Kilpinė rankena
5. Akceleratoriaus gaidukas
6. Stabdymo jungiklis
7. Akceleratoriaus gaiduko fiksatorius
8. Žvakės antgalis ir uždegimo žvakė
9. Starterio virvės rankena
10. Kuro bakelis
11. Oro filtro dangtelis
12. Oro šalinimo siurbliukas
13. Oro sklendė
14. Naudojimo instrukcija
15. Kombinuotas veržliaraktis
16. Starterio korpusas
17. Veleno mova
18. Kampinė pavara
19. Tepimo angos kamštis, kampinė pavara
20. Varantysis diskas

Simboliai ant gaminio



ĮSPĖJIMAS! Šis įrenginys pavojingas. Nerūpestingai arba netinkamai naudojant įrenginį gali būti sužeistas ar netgi žūti operatorius arba pašaliniai asmenys. Kad nebūtų sužeistas operatorius arba pašaliniai asmenys, perskaitykite ir laikykitės visų naudojimo instrukcijoje pateiktų saugumo nurodymų.



Prieš naudodami, atidžiai perskaitykite naudojimo instrukciją ir įsitinkinkite, kad viską gerai supratote.



Vietose, kur ant jūsų gali užkristi daiktų, dėvėkite apsauginį šalną. Naudokite patvirtintas apsaugines ausines. Naudokite patvirtintas akių apsaugos priemones.



Didžiausias galios atidavimo veleno greitis.



Šis gaminys atitinka taikomas EB direktyvas.



Iš įrenginio gali išskrieti pašaliniai objektai, kurie gali sužeisti.



Naudodami įrenginį laikykitės ne mažesniu kaip 15 m atstumu nuo žmonių ir gyvūnų.



Naudokite patvirtintas apsaugines pirštines.



Avėkite patvarius, neslystančius batus.



Naudokite tik lankstų pjaunamąjį valą. Nenaudokite metalinių pjovimo priedų.



Triukšmo emisijos į aplinką ženklinaimas atitinka ES ir Jungtinės Karalystės direktyvas bei reglamentus ir Naujojo Pietų Velso įstatymą „2017 m. aplinkos apsaugos (triukšmo kontrolės) reglamentas“. Gaminio garantuotasis garso galios lygis nurodytas *Techniniai duomenys psl. 296* ir etiketėje.



Oro šalinimo siurbliukas.



Oro sklendė.



Šis gaminys atitinka taikytinų JK reglamentų nuostatas.

yyyywwxxx

Nominalių parametru plokštelėje nurodytas serijos numeris. **yyyy** yra pagaminimo metai, **ww** yra pagaminimo savaitė.

Pasižymėkite: Kiti ant gaminio pateikti simboliai (lipdukai) nurodo kitų komercinių teritorijų sertifikavimo reikalavimus.

„Euro V“ standartas



PERSPĖJIMAS: Variklio modifikavimas panaikina šio produkto ES tipo patvirtinimą.

Pagalba klientams

Jei reikia pagalbos, skambinkite: 1-800-487-5951 arba apsilankykite www.husqvarna.com.

Atsakomybė už gaminį

Kaip nurodyta atsakomybės už gaminį įstatymuose, mes nesame atsakingi už mūsų gaminio sukeltą žalą, jei:

- gaminy s netinkamai suremontuotas;
- gaminy s suremontuotas naudojant kito gamintojo arba gamintojo nepatvirtintas dalis;
- gaminy s turi kito gamintojo arba gamintojo nepatvirtintą priedą;
- gaminy s suremontuotas ne patvirtintame techninės priežiūros centre arba jį suremontavo ne patvirtintas atstovas.

Sauga

Saugos ženklų reikšmės

[spėjimai, perspėjimai ir pastabos yra skirtos atkreipti dėmesį į ypač svarbias vadovo dalis.



PERSPĖJIMAS: Naudojamas, kai naudotojui ar šalia esantiems asmenims kyla mirtino arba sunkaus sužeidimo pavojus arba, jei nesilaikoma vadove pateiktų nurodymų.



PASTABA: Naudojamas, kai kyla pavojus sugadinti gaminį, kitas medžiagas arba padaryti žalą aplinkai, jei nesilaikoma vadove pateiktų nurodymų.

Pasižymėkite: Naudojamas papildomai informacijai apie konkrečią situaciją pateikti.

Bendrieji saugos nurodymai



PERSPĖJIMAS: Prieš naudodami gaminį, perskaitykite toliau esančius įspėjimus.

- Naudokite gaminį tinkamai. Netinkamai naudojant galima rimtai arba mirtinai susižeisti. Produktą naudokite tik šiose instrukcijose nurodytiems darbams. Nenaudokite gaminio kitiems darbams.
- Paisykite šiose instrukcijose pateiktų nurodymų. Paisykite saugos simbolių ir saugos nurodymų. Naudotojui nepaisant instrukcijų ir simbolių, galima sugadinti įrangą arba susižeisti ar mirtinai susižeisti.
- Neišmeskite šių instrukcijų. Vadovaukitės šiomis instrukcijomis surinkdami ir naudodami šį gaminį bei atlikdami jo techninę priežiūrą. Vadovaukitės šiomis instrukcijomis, kad tinkamai prijungtumėte priedus. Naudokite tik patvirtintus priedus.
- Sugadinto gaminio nenaudokite. Paisykite techninės priežiūros grafiko. Atlikite tik šiose instrukcijose aprašytus priežiūros darbus. Visus kitus techninės priežiūros darbus turi atlikti patvirtintas techninės priežiūros centras.
- Šiose instrukcijose negali būti numatytos visos situacijos, su kuriomis galite susidurti naudodami gaminį. Būkite atsargūs ir apdairūs. Gaminio nenaudokite ir nevykdyskite jo priežiūros darbų, jei nesate tikri dėl jo būklės. Jei reikia informacijos, kreipkitės į gaminio ekspertą, pardavimo atstovą, techninės priežiūros atstovą arba patvirtintą techninės priežiūros centrą.
- Prieš surinkdami gaminį, ruošdami jį saugoti arba atlikdami priežiūros darbus, atjunkite uždegimo žvakės kabelį.
- Nenaudokite gaminio, jei pasikeitė jo pradiniai techniniai duomenys. Nekeiskite gaminio dalių, neturinčių gamintojo patvirtinimo. Naudokite tik gamintojo patvirtintas dalis. Netinkamai prižiūrint gaminį galima susižeisti arba žūti.
- Neįkvėpkite variklio skleidžiamų dujų. Ilgalais kvėpavimas variklio išmetamosiomis dujomis pavojingas gyvybei.
- Neužveskite gaminio patalpoje arba greta degių medžiagų. Išmetamosios dujos yra karštos, jose gali būti kibirkščių, kurios gali sukelti gaisrą. Dėl oro stygiaus galima susižaloti arba žūti uždusus arba apsinuodijus anglies monoksidu.
- Naudojant šį gaminį, variklis skuria elektromagnetinį lauką. Elektromagnetinis laukas gali sugadinti medicininius implantus. Prieš pradėdami naudoti šį gaminį, pasitarkite su savo gydytoju ir medicininio implanto gamintoju.
- Neleiskite gaminio naudoti vaikams. Neleiskite gaminio naudoti su instrukcijomis nesusipažinusiems asmenims.
- Visada prižiūrėkite gaminį naudojantį fizinę arba protinę negalią turintį asmenį. Būtina nuolatine atsakingo suaugusiojo priežiūra.
- Užrakininkite gaminį vaikams ir nepatvirtintiems asmenims nepasiekiamoje vietoje.
- Iš gaminio gali išskrieti ir sužaloti pašaliniai objektai. Paisykite saugos nurodymų, kad sumažėtų sužeidimų arba žūties pavojus.
- Nepalikite gaminio be priežiūros, kai užvestas variklis.
- Dėl nelaimingo įvykio yra atsakingas gaminio naudotojas.
- Prieš naudodami gaminį įsitinkinkite, kad jo dalys nepažeistos.
- Prieš naudodami gaminį, įsitinkinkite, kad aplink jus mažesniu nei 15 m (50 pėdų) spinduliu nėra pašalinių žmonių arba gyvūnų. Pasirūpinkite, kad greta esantys asmenys žinotų, jog ketinate naudoti gaminį.

- Atsižvelkite į nacionalinius arba vietos įstatymus. Jie gali drausti arba riboti gaminio naudojimą konkrečiomis sąlygomis.
- Neekspluatuokite gaminio, jeigu esate pavargę, vartojote alkoholio, narkotikų ar vaistų. Tai gali paveikti jūsų regėjimą, budrumą, koordinaciją ir nuovokumą.

Surinkimo saugos instrukcijos



PERSPĖJIMAS: Prieš naudodami gaminį, perskaitykite toliau esančius įspėjimus.

- Prieš surinkdami gaminį nuo uždegimo žvakės atjunkite laidą.
- Naudokite patvirtintas apsaugines pirštines.
- Prieš užvesdami variklį įsitikinkite, kad tinkamai surinkote dangtelį ir veleną.

Naudojimo saugos instrukcijos

- Prieš naudodami gaminį įsitikinkite, kad produktas visiškai surinktas.
- Prieš pradėdami pastumkite gaminį per 3 m (10 pėdas) nuo vietos, kurioje užpildėte kuro bakelį. Padėkite gaminį ant lygaus paviršiaus. Patikrinkite, ar pjovimo įtaisas neličia žemės ar kokio kito daikto.
- Iš gaminio gali išskrieti pašaliniai objektai, kurie gali pažeisti akis. Dirbdami gaminiu visada naudokite akių apsaugos priemones.
- Būkite apdairūs – darbo metu be jūsų žinios prie gaminio gali prisitarti vaikai.
- Jei darbo zonoje yra pašalinių asmenų, gaminio nenaudokite. Į darbo zoną įžengus pašaliniam asmeniui, išjunkite gaminį.
- Pasirūpinkite, kad niekada neprarastumėte gaminio kontrolės.
- Nenaudokite gaminio, jei nelaimės atveju negalėtumėte sulaukti pagalbos. Prieš pradėdami naudoti įrenginį visada pasirūpinkite, kad aplinkiniai žinotų, jog ketinate naudoti įrenginį.
- Nesisukite su gaminiu prieš tai neįsitikinę, kad saugioje zonoje nėra pašalinių asmenų arba gyvūnų.
- Prieš pradėdami pašalinkite iš darbo zonos visus pašalinius objektus. Pjovimo įtaisui užkliudžius pašalinį objektą, objektas gali išskrieti ir sužaloti arba sugadinti įrangą. Pašalinės medžiagos gali apsvyti aplink pjovimo įtaisą ir sugadinti gaminį.
- Nenaudokite gaminio prastu oru (per rūką, lietu, esant stipriam vėjui, žaibo tikimybei ar kitoms nepalankioms oro sąlygoms). Dėl prasto vėjo gali susidaryti pavojingos sąlygos (pvz., slidūs paviršiai).

- Įsitikinkite, kad galite judėti laisvai ir dirbti stabilioje padėtyje.



- Įsitikinkite, kad naudodami gaminį nenugriūsite. Naudodami gaminį nepasivirkite.
- Gaminį visada laikykite abiem rankomis. Gaminį laikykite dešinėje kūno pusėje.



- Gaminį naudokite nuleidę pjovimo įtaisą žemiau liemens.
- Jei užvedant variklį oro sklendės rankenėlė yra uždarytos oro sklendės padėtyje, pjovimo įtaisas pradeda sukstis.
- Varikliui išsijungus nelieskite kampinės pavaros. Varikliui išsijungus kampinė pavora būna įkaitusi. Įkaitę paviršiai gali sužaloti.
- Prieš perkeldami gaminį išjunkite variklį.
- Nepadėkite gaminio, kai užvestas variklis.
- Prieš pašalindami nuo gaminio nepageidaujamas medžiagas išjunkite variklį ir palaukite, kol pjovimo įtaisas sustos. Jei jūs ar pagalbininkas ketina pašalinti nupjautą medžiagą, palaukite, kol pjovimo įtaisas sustos.

Asmeninės apsauginės priemonės



PERSPĖJIMAS: Prieš naudodami gaminį, perskaitykite toliau esančius įspėjimus.

- Naudodami įrenginį būtina dėvėti patvirtintas asmenines apsaugines priemones. Asmeninės apsauginės priemonės nepadės visiškai išvengti pavojaus susižeisti, tačiau nelaimingo atsitikimo atveju mažiau nukentėsite. Leiskite prekybos atstovui padėti pasirinkti tinkamą įrangą.
- Naudokite apsauginį šalmaį ten, kur gali būti krentančių daiktų

- Naudokite pakankamomis garso slopinimo savybėmis pasižyminčias patvirtintas apsaugines ausines. Ilgalaikis triukšmo poveikis gali visam laikui pakenkti klausai.
- Naudokite patvirtintas akių apsaugos priemones. Jei naudojamas apsauginis skydelis, turi būti nešiojami ir patvirtinti apsauginiai akiniai. Patvirtinti apsauginiai akiniai atitinka JAV ANSI Z87.1 standartą arba ES EN 166 standartą.
- Naudokite apsauginį veido skydelį. Akims apsaugoti vien skydelio nepakanka.



- Kai būtina, pvz., montuojant, apžiūrint arba valant pjovimo įrangą, užsimaukite pirštines.
- Avėkite tvirtus, neslystančius batus.
- Vilkėkite iš stiprios medžiagos pagamintus drabužius. Būtinai mūvėkite tvirtas, ilgas kelnes, vilkėkite aprangą ilgomis rankovėmis. Nevilkėkite laisvų drabužių, kurie gali užkibti už krūmokšnių ir šakų. Nenešiotkite papuošalų, trumpų kelnų ar atvirų batų ir nevaikščiokite basomis. Saugiai susisėkite plaukus aukščiau pečių.



- Netoliese turi būti pirmosios pagalbos vaistinė.



Gaminio apsauginės priemonės

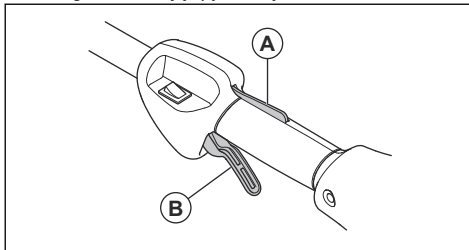


PERSPĖJIMAS: Prieš naudodami gaminį, perskaitykite toliau esančius įspėjimus.

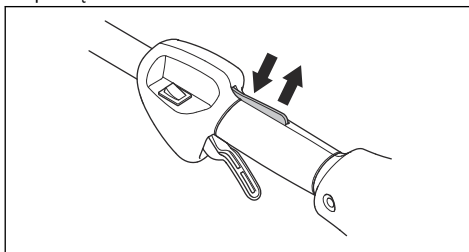
- Nesinaudokite gaminiu, jei jo apsauginės priemonės yra netvarkingos.
- Reguliariai tikrinkite apsaugines priemones. Žr. *Priežiūros grafikas psl. 292*.
- Jei apsauginės priemonės yra pažeistos, pasitarkite su Husqvarna techninės priežiūros atstovu.

Akceleratoriaus gaiduko fiksatoriaus patikra

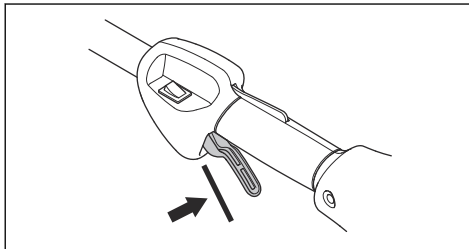
1. Patikrinkite, ar akceleratoriaus gaiduko fiksatorius (A) ir akceleratoriaus gaidukas (B) laisvai junginėjasi ir ar gerai veikia jų spyruoklių sistema.



2. Paspauskite akceleratoriaus gaiduko fiksatorių ir įsitikinkite, kad atleidus jis grįžta į savo pradinę padėtį.



3. Patikrinkite, ar veikiant laisvąją eiga akceleratoriaus gaidukas yra fiksuotas tuščiosios eigos padėtyje, kai akceleratoriaus blokatoriaus yra atleistas.



4. Paleiskite gaminį ir stipriai spustelkite akceleratorių.
5. Atleiskite akceleratoriaus gaiduką ir įsitikinkite, kad peiliai sustoja ir nejuda.

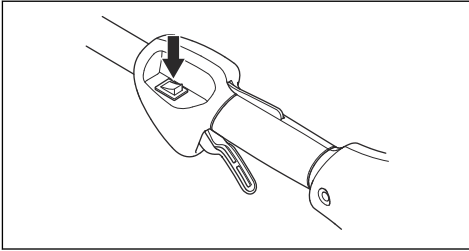


PERSPĖJIMAS: Jei peiliai juda akceleratoriaus rankenėlei esant laisvoje eigoje, būtina reguliuoti karbiuratoriaus laisvąją eigą. Žr. *Greičio tuščiąja eiga reguliavimas psl. 292*.

Stabdymo jungiklio patikra

1. Užveskite variklį.

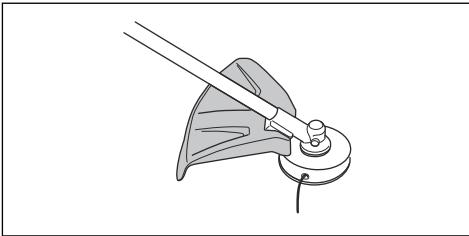
- Perjunkite stabdymo jungiklį į stabdymo padėtį ir patikrinkite, ar variklis išjungiamas.



Pjovimo įtaiso apsaugo patikra

Pjovimo įtaiso apsauga sustabdo operatoriaus kryptimi išsviedžiamus objektus. Be to, jis saugo, kad nepaliesumėte pjovimo įtaiso ir nesusižeistumėte.

- Išjunkite variklį.
- Apžiūrėkite, ar apsauga nesugadinta, pavyzdžiui, neįskilusi.



- Jeigu pjovimo įtaiso apsauga sugadinta, ją pakeiskite.

Duslintuvas

- Nenaudokite variklio su pažeistu duslintuvu. Pažeistas duslintuvas skleidžia daugiau triukšmo ir kelia didesnį gaisro pavojų. Visada šalia turėkite gesintuvą.
- Reguliariai apžiūrėkite, ar duslintuvas pritvirtintas prie gaminio.
- Kai variklis užvestas nelieskite variklio arba duslintuvo. Išjungę variklį kurį laiką nelieskite variklio arba duslintuvo. Įkaitę paviršiai gali sužaloti.
- Karštas duslintuvas gali sukelti gaisrą. Būkite atsargūs naudodami gaminį greta degių skysčių arba dujų.
- Nelieskite pažeisto duslintuvo dalių. Dalyse gali būti kancerogeninių medžiagų.

Pjovimo įtaisas



PERSPĖJIMAS: Prieš naudodami gaminį, perskaitykite toliau esančius įspėjimus.

- Reguliariai prižiūrėkite. Reguliariai perduokite pjovimo įtaisą patvirtintam techninės priežiūros

centrui, kuriame jis bus apžiūrėtas ir sureguliuotas arba suremontuotas.

- Pjovimo įtaiso našumas padidėja.
- Pjovimo įtaiso tarnavimo trukmė padidėja.
- Nelaimių pavojus sumažėja.
- Naudokite tik patvirtintą pjovimo įtaiso apsaugą. Žr. *Priedai psl. 297.*
- Sugadinto pjovimo įtaiso nenaudokite.

Degalų naudojimo sauga



PERSPĖJIMAS: Prieš imdamiesi naudoti gaminį perskaitykite toliau nurodytus įspėjimus.

- Nemaišykite degalų patalpoje arba šalia šilumos šaltinio.
- Neužveskite gaminio, jei ant gaminio yra kuro arba variklio alyvos. Nuvalykite nepageidaujamą kurą / alyvą ir palaukite, kol gaminys išdžius. Nuvalykite nuo gaminio nepageidaujamą kurą.
- Apsipylę drabužius kuru nedelsiant persirenkite.
- Neapsipilkite kūno kuru, nes jis gali sužaloti. Apsipylę kūną kuru, jį nusiplaukite muilu ir vandeniu.
- Neužveskite variklio, jei apliejote gaminį arba kūną alyva arba kuru.
- Neužveskite gaminio, jei iš variklio sunkiasi skysčiai. Reguliariai tikrinkite, ar iš variklio nesisunkia skysčiai.
- Atsargiai elkitės su kuru. Kuras yra degus, o jo garai – sprogūs, todėl neatsargiai elgiantis galima susižaloti arba žūti.
- Neįkvėpkite kuro garų, nes jie gali sužaloti. Pasirūpinkite tinkamu vėdinimu.
- Nerūkykite greta kuro arba variklio.
- Nedėkite šiltų objektų greta kuro arba variklio.
- Nepilkite kuro, kai variklis užvestas.
- Prieš pildami kurą įsitinkinkite, ar variklis ataušęs.
- Prieš pildami kurą lėtai atidarykite kuro bakelio dangtelį ir atsargiai išleiskite slėgį.
- Pasirūpinkite tinkamu vėdinimu, kai įpilate arba maišote degalus (benziną arba alyvą dvitakčiams varikliams) arba ištuštinate kuro bakelį.
- Degalai ir degalų garai yra labai degūs ir gali sunkiai sužeisti jų įkvėpus ar kontaktuojant su oda. Todėl būkite atsargūs dirbdami su degalais, užtikrinkite pakankamą vėdinimą.
- Kruopščiai priveržkite kuro bakelio dangtelį, nes antraip gali kilti gaisras.
- Prieš pradėdami darbą patraukite gaminį mažiausiai 3 m (10 pėdų) nuo vietos, kurioje pylėte kurą.
- Nepripilkite į kuro bakelį pernelyg daug kuro.
- Pasirūpinkite, kad perkliant gaminį arba kuro bakelį iš jo neišsiliėtų kuras.
- Nestatykite gaminio arba kuro bakelio greta atviros liepsnos, kibirkščių arba degiklio. Įsitinkinkite, kad laikymo patalpoje nėra atviros liepsnos.

- Kurą gabenkite ir laikykite tik patvirtintuose bakeliuose.
- Prieš palikdami gaminį saugoti ilgesniam laikui, ištuštinkite kuro bakelį. Kurą utilizuokite atsižvelgdami į vietinius įstatymus.
- Nuvalykite gaminį prieš palikdami jį saugoti ilgesniam laikui.
- Prieš palikdami gaminį saugoti ilgesnį laiką atjunkite uždegimo žvakės antgalį, kad variklis netikėtai neužsivistų.

Priežiūros saugos instrukcijos



PERSPĖJIMAS: Prieš naudodami gaminį, perskaitykite toliau esančius įspėjimus.

- Išjunkite variklį, įsitinkinkite, kad sustojo pjovimo įtaisas ir prieš atlikdami priežiūrą palaukite, kol atvės įrenginys.
- Prieš atlikdami priežiūros darbus atjunkite žvakės antgalį.
- Variklio išmetamosiose dujose yra anglies monoksido – nuodingų, bekvapių ir labai pavojingų dujų, nuo kurių poveikio galima mirti. Nenaudokite įrenginio patalpose ar uždaroje erdvėje.

- Variklio išmetamosios dujos yra karštos, jose gali būti kibirkščių. Nenaudokite įrenginio patalpoje arba greta degių medžiagų.
- Gamintojo nepatvirtinti priedai ir gaminio pakeitimai gali rimtai ar net mirtinai sužeisti. Nekeiskite gaminio. Būtinai naudokite originalias atsargines dalis.
- Jeigu priežiūra atliekama netinkamai ir nereguliariai, padidėja pavojus susižeisti ir sugadinti įrenginį.
- Atlikite tik naudojimo instrukcijoje nurodytus priežiūros darbus. Visus kitus techninės priežiūros darbus patikėkite atlikti patvirtintam „Husqvarna“ techninės priežiūros atstovui.
- Patvirtintas „Husqvarna“ techninės priežiūros atstovas turi reguliariai atlikti gaminio techninę priežiūrą.
- Pakeiskite pažeistas, sulūžusias arba susidėvėjusias dalis.
- Norėdami sumontuoti tinkamo skersmens žoliapjovės lynelį, žr. pjovimo įtaiso instrukcijas, kur pateikta tinkama procedūra.
- Peilio ašmenys turi būti gerai ir teisingai pagalašti. Vadovaukitės mūsų rekomendacijomis. Taip pat perskaitykite instrukciją ant pjovimo geležtės įpakavimo.

Surinkimas

Įvadas



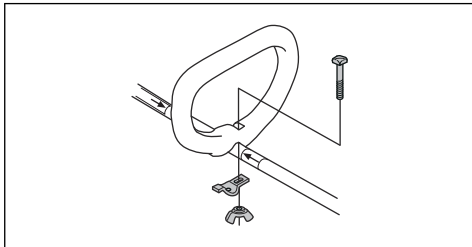
PERSPĖJIMAS: Prieš surinkdami įrenginį perskaitykite ir supraskite saugos skyriaus informaciją.



PERSPĖJIMAS: Prieš surinkdami gaminį nuo uždegimo žvakės nuimkite dangtelį.

Kilpinės rankenos tvirtinimas

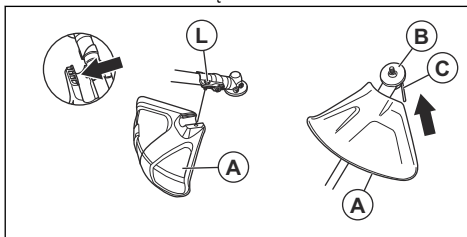
1. Pritvirtinkite kilpinę rankeną prie veleno, kaip parodyta iliustracijoje, ir priveržkite.



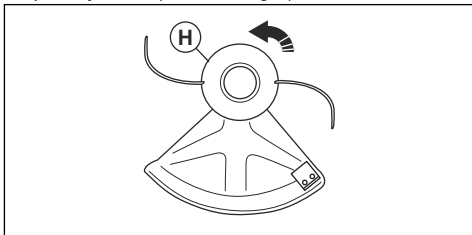
2. Kilpinę rankeną būtinai pritvirtinkite tarp rodyklių, pažymėtų ant veleno.

Pjovimo įtaiso apsaugos ir žoliapjovės galvutės (tiesaus veleno) tvirtinimas

1. Pritvirtinkite pjovimo įtaiso apsaugą (A) prie veleno naudodami varžtą (L).
2. Pritvirtinkite varantįjį diską (B) prie galios atidavimo veleno.
3. Sukite darbinį veleną, kol varančiojo disko anga susilygiuos su pavaru dėžės anga.
4. Įstatykite į angą mažą atsuktuvą (C), kad užfiksotumėte veleną.

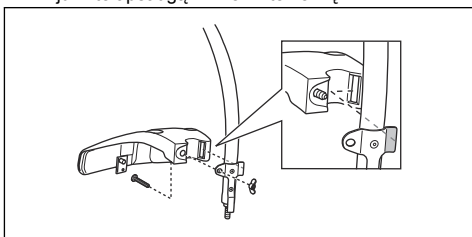


5. Pasukite žoliapjovės galvutę (H) prieš laikrodžio rodyklę, kad priveržtumėte žoliapjovės galvutę prie pavarų dėžės. (Kairinis sriegis.)

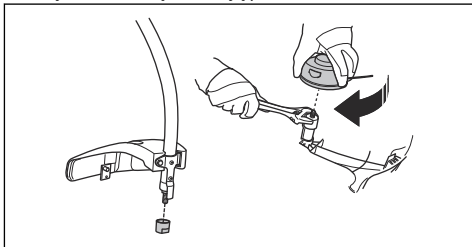


Pjovimo įtaiso apsaugos ir žoliapjovės galvutės (lenkto veleno) tvirtinimas

1. Prijunkite apsaugą. Priveržkite veržlę.



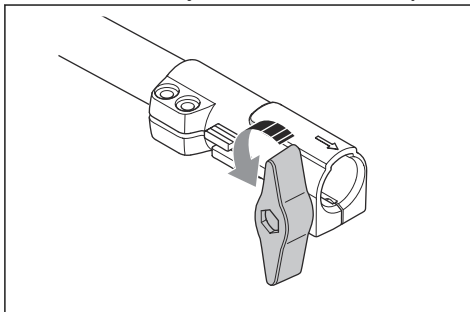
2. Prijunkite dulkių surinkėją prie šios ašies.



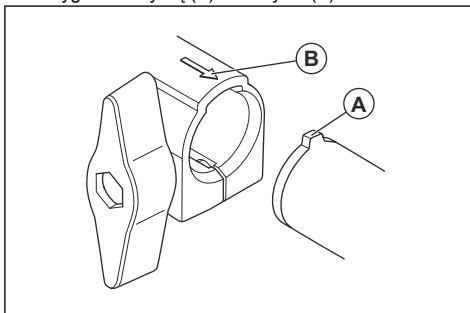
3. Pilaikykite dulkių rinktuvą reguliuojamu veržliarakčiu, kad velenas nesisuktų.
4. Pritvirtinkite žoliapjovės galvutę prie veleno. Pasukite žoliapjovės galvutę pagal laikrodžio rodyklę.

Dviejų dalių veleno surinkimas

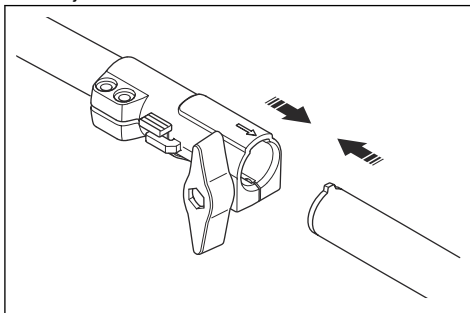
1. Pasukite rankenėlę, kad atlaisvintumėte movą.



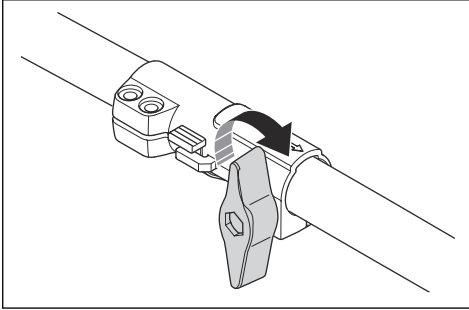
2. Sulygiuokite žymą (A) su rodykle (B) ant movos.



3. Įstatykite veleną į movą, kad jis spragtelėtų savo vietoje.

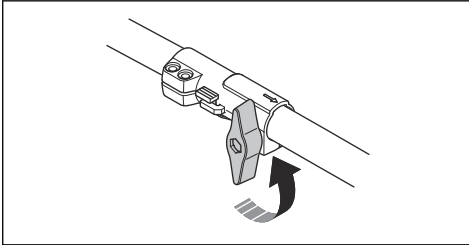


4. Iki galo priveržkite tvirtinimo rankenėlę.

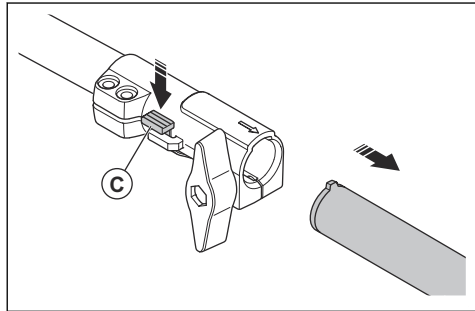


Dviejų dalių veleno išrinkimas

1. Pasukite rankenėlę 3 kartus, kad atlaisvintumėte movą.



2. Paspauskite ir laikykite nuspaudę mygtuką (C).
3. Tvirtai laikykite už veleno galo, prie kurio prijungtas variklis.
4. Priedą traukite iš movos tiesiai.



Naudojimas

Įvadas



PERSPĖJIMAS: Prieš naudodami gaminių perskaitykite ir supraskite saugos skyriaus informaciją.

Degalai

Įrenginys turi dvitaktį variklį.



PASTABA: Naudojant netinkamo tipo degalus gali būti sugadintas variklis. Naudokite benzino ir dvitaktių variklių alyvos mišinį.

Iš anksto sumaišyti degalai

- Naudokite Husqvarna iš anksto sumaišytus alkilintus degalus, siekdami geriausių rezultatų ir prailginti variklio tarnavimo laiką. Šiuose degaluose palyginti su įprastiniais degalais yra mažiau kenksmingų chemikalų, todėl sumažėja kenksmingų išmetamųjų dujų kiekis. Likučių po degimo kiekis yra mažesnis, naudojant šiuos degalus, todėl variklio komponentai išlieka švaresni.

Degalų maišymas

Benzinas

- Naudokite kokybišką bešvinį benziną, kurio etanolio koncentracija yra iki 10 %.



PASTABA: Nenaudokite benzino, kurio oktaninis skaičius yra mažesnis nei 90 RON/87 AKI. Naudojant žemesnio oktaninio skaičiaus degalus gali nesklaidžiai veikti variklis, tai pažeis variklį.

Alyva dvitaktiams varikliams

- Siekdami geriausių rezultatų ir našumo, naudokite Husqvarna dvitaktių variklių alyvą.
- Jei negalite gauti Husqvarna dvitaktinio variklio alyvos, naudokite geros kokybės dvitaktių variklių alyvą, skirtą oru aušinamiems varikliams. Norėdami išsirinkti tinkamą alyvą, kreipkitės į techninio aptarnavimo atstovą.



PASTABA: Niekada nenaudokite dvitaktės alyvos, skirtos vandeniu aušinamiems valčių varikliams.

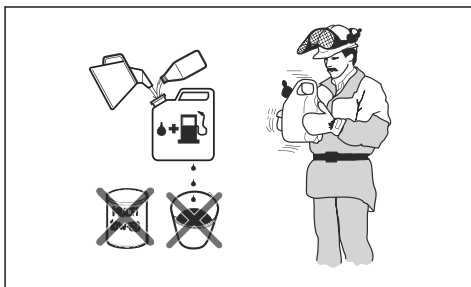
dar vadinamos valčių variklių alyva. Nenaudokite alyvos, skirtos keturtakčiams varikliams.

Degalų ir dvitakčių variklių alyvos maišymas

Benzinas, litrais	Dvitakčio variklio alyva, litrais
	2 % (50:1)
5	0,10
10	0,20
15	0,30
20	0,40



PASTABA: Maišant nedidelius degalų kiekius, nedidelė paklaida gali stipriai pakeisti mišinio santykį. Kruopščiai pamatuokite alyvos kiekį, kad gautumėte tinkamą mišinį.



1. Pripildykite pusę kiekio degalų švarioje talpykloje degalams.
2. Supilkite visą alyvos kiekį.
3. Suplakite degalų mišinį.
4. Tada supilkite likusią benzino dalį į talpyklą.
5. Kruopščiai suplakite degalų mišinį.



PASTABA: Nesumaišykite degalų ilgesniam nei 1 mėnesio laikotarpiui.

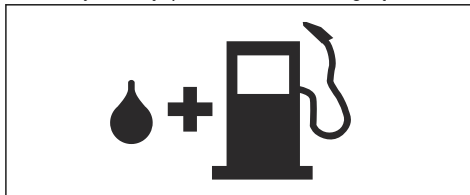
Kuro bakelio užpildymas



PERSPĖJIMAS: Laikykitės procedūrų, kurios skirtos užtikrinti jūsų saugą.

1. Išjunkite variklį ir palaukite, kol jis atvės.

2. Nuvalykite sritį aplink kuro bakelio dangtelį.



3. Papurtykite talpyklą, kad degalai gerai susimaišytų.
4. Lėtai nuimkite kuro bakelio dangtelį, kad išleistumėte slėgį.
5. Užpildykite degalų bakelį.



PASTABA: Degalų bakelio neperpildykite. Degalams įkaitus šie plečiasi.

6. Stipriai užsukite degalų bakelio dangtelį.
7. Išvalykite išsiliejusius degalus art gaminio ir aplink jį.
8. Prieš paleisdami gaminį visada patraukite jį 3 metrus / 10 pėdų nuo degalų pildymo vietos ir degalų talpyklos.

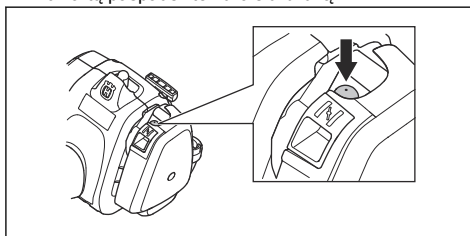
Pasižymėkite: Norėdami sužinoti, kur yra kuro bakelis jūsų gaminyje, žr. *Gaminio apžvalga psl. 280.*

Patikrinimas prieš paleidimą

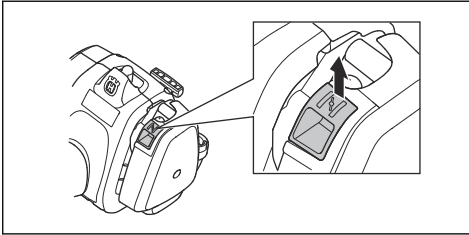
1. Įsitinkinkite, kad nėra gaminio trūkstančių, pažeistų, atsilaisvintų ar susidėvėjusių dalių.
2. Patikrinkite, ar varžlės ir varžtai yra priveržti
3. Įsitinkinkite, kad nepažeista žoliapjovės galvutė.
4. Patikrinkite, ar neužsikisęs oro filtras.
5. Įsitinkinti, kad gaminio saugos įtaisai nepažeisti.
6. Įsitinkinkite, kad nėra gaminio degalų nuotėkių.

Šalto variklio užvedimas

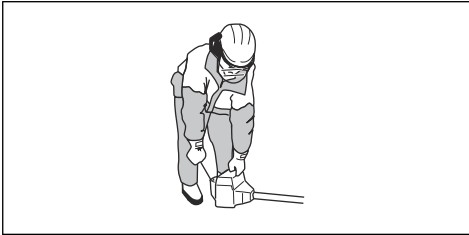
1. 10 kartų paspauskite kuro siurbliuką.



2. Nustatykite oro sklendės rankenėlę į uždarytos oro sklendės padėtį.



3. Laikykite gaminio korpusą ant žemės kairiąją ranka.



PASTABA: Gaminio nepriminkite koja

4. Lėtai traukite starterio virvės rankenėlę dešine ranka, kol pajusite pasipriešinimą. Tada greitai ir tvirtai patraukite starterio virvės rankenėlę, kol užsives arba bandys užsivesti variklis.



PERSPĖJIMAS: Nevyniokite starterio virvės sau ant rankos.

5. Nustatykite oro sklendės rankenėlę į naudojimo padėtį.
6. Jei variklis užsiveda, šiek tiek paspauskite akceleratoriaus gaiduką ir leiskite varikliui veikti 60 sekundžių, kol įšils. Jei variklis neužsiveda, patraukite starterio virvės rankenėlę, kol variklis užsives. Tada šiek tiek paspauskite akceleratoriaus gaiduką ir leiskite varikliui veikti 60 sekundžių, kol įšils.



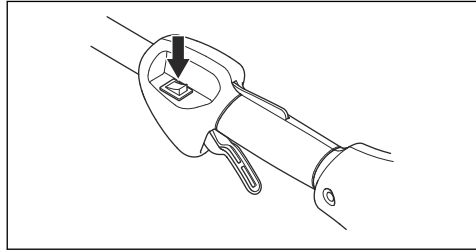
PASTABA: Netraukite starterio virvės iki galo ir nepaleiskite jos rankenėlės. Antraip galima sugadinti gaminį. Lėtai atleiskite starterio virvę.

Šilto variklio užvedimas

1. 10 kartų paspauskite kuro siurbliuką.
2. Traukykite starterio virvę, kol variklis užsives.

Gaminio sustabdymas

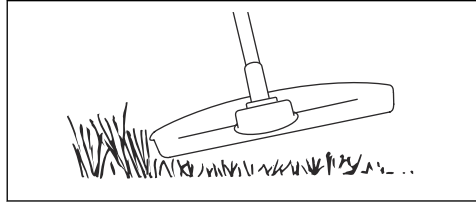
- Norėdami išjungti variklį, nuspauskite stabdymo mygtuką.



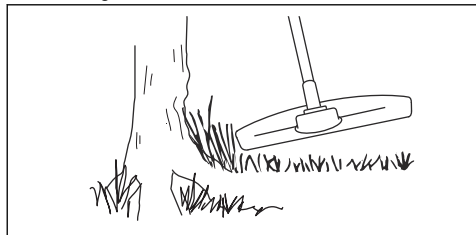
Pasižymėkite: Stabdymo jungiklis automatiškai grįžta į pradinę padėtį.

Žolės trumpinimas

1. Kampu pasuktą žoliapjovės galvutę laikykite prie pat žemės. Nespauskite žoliapjovės linelio prie žolės.



2. Sutrumpinkite žoliapjovės linelį 10–12 cm / 4–4,75 col.
3. Sumažinkite variklio apsakas, kad sumažintumėte augalams keliamą pavojų.
4. Pjaudami žolę greta kitų objektų, naudokite 80 % variklio galios.



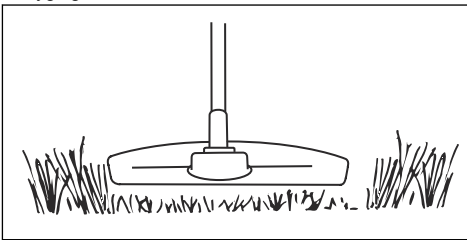
Žolės pjovimas žolės pjovimo peiliu

1. Žolės pjovimo peilių ir žolės pjovimo įtaisų negalima naudoti pjaunant sumedėjusias šaknis.
2. Pjaunant visų rūšių aukštą ar stambią žolę naudojamas žolės pjovimo peilis.
3. Žolė pjaunama švysčiojant į šonus, kur sukimasis iš dešinės į kairę yra valymo judesys, o iš kairės į dešinę – grįžimo judesys. Dirbkite kaire peilio puse (tarp 8-os ir 12-os valandos).

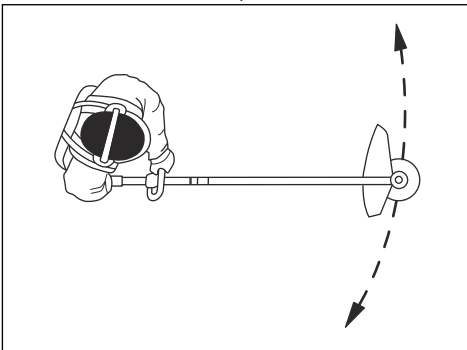
4. Jei žolės valymo metu geležtė šiek tiek pakreipiama kairėn pusėn, žolė sugula į pradalgę ir tai palengvina, pvz., žolės sugrėbimą.
5. Stenkitės dirbti ritmingai. Stovėkite stabiliai, pėdas šiek tiek pasukę išorėn. Ženkite į priekį po grįžimo judesio ir vėl atsistokite stabiliai.
6. Leiskite atraminiam gaubtui lengvai braukti per žemės paviršių. Jis apsaugo peilį nuo žemės.
7. Jei visada dirbsite didžiausiomis apsukomis ir grįžtamuju judesiu nekabinsite jau nupjautos medžiagos, aplink peilį apsvys mažiau medžiagos.
8. Norėdami surinkti nupjautą žolę, sustabdykite variklį, atsekite diržą ir padėkite įrenginį ant žemės.

Žolės pjovimas

1. Pjaudami žolę stenkitės pjovimo lynelį laikyti lygiagrečiai žemei.



2. Nespauskite žoliapjovės galvutės prie žemės. Antraip galima sugadinti gaminį.
3. Pjaudami žolę judinkite įrenginį iš vienos pusės į kitą. Naudokite maksimalias apsukas.



Žolės šlavimas

Besisukančio žoliapjovės lyno sukuriamu oro srautu galima iš teritorijos pašalinti nupjautą žolę.

1. Laikykite žoliapjovės galvutę ir žoliapjovės lyną lygiagrečius žemės paviršiui ir aukščiau jo.
2. Iki galo nspauskite akceleratorių.
3. Judinkite žoliapjovės galvutę iš vienos pusės į kitą ir taip šluokite žolę.



PERSPĖJIMAS: Kaskart dėdami naują žoliapjovės lyną nuvalykite žoliapjovės galvutę, kad ji neišsibalansuotų ir neviruotų rankenos. Be to, patikrinkite ir prireikus valykite kitas žoliapjovės galvutės dalis.

Žoliapjovės galvutė

- Standžiai ir lygiai apvyniokite žoliapjovės lynelį aplink būgną, kad sumažėtų vibracija.
- Naudokite tik patvirtintas žoliapjovių galvutes ir žoliapjovių lynelius. žr. *Priedai psl. 297*.
- Naudokite tik tinkamo ilgio žoliapjovių lynelius. Ilgam žoliapjovės lyneliui reikia daugiau variklio galios nei trumpam žoliapjovės lyneliui.
- Patikrinkite, ar nepažeistas pjovimo įtaiso apsaugos peilis.
- Prieš tvirtindami žoliapjovės lynelį prie gaminio, žoliapjovės lynelį 2 dienas pamirkykite vandenyje. Tai padidina žoliapjovės lynelio tarnavimo trukmę.
- Žiūrėkite į pjovimo įrangos nuorodas tam, kad galėtumėte tinkamai įdėti pjovimo lynelį bei parinkti tinkamą lynelio skersmenį.

Techninė priežiūra

Įvadas



PERSPĖJIMAS: Prieš atlikdami priežiūros darbus perskaitykite ir supraskite saugos skyriaus informaciją.

Visiems gaminio techninės priežiūros ir remonto darbams reikia specialių apmokymų. Garantuojame profesionalaus remonto ir techninės priežiūros darbų pasiekiamumą. Jei jūsų pardavėjas nėra techninės priežiūros atstovas, paprašykite jo informacijos apie artimiausią techninės priežiūros atstovą.

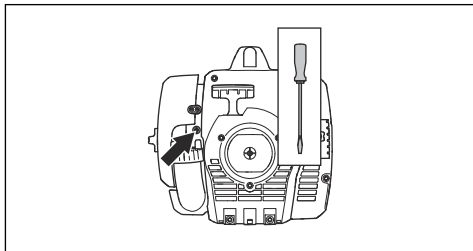
Priežiūros grafikas

Techninės priežiūros darbas	Kasdien	Savaitinė	Kiekvieną mėnesį
Nuvalykite išorinį paviršių.	X		
Išvalykite oro filtrą. Jei reikia, pakeiskite.	X		
Patikrinkite akceleratoriaus gaiduko blokatoriaus ir akceleratoriaus veikimą.	X		
Patikrinkite išjungimo jungiklį.	X		
Patikrinkite apsaugas.	X		
Patikrinkite žoliapjovės galvutę.	X		
Patikrinkite fiksavimo veržlę.	X		
Patikrinkite, ar nesisunkia kuras.	X		
Pasirūpinkite, kad žolės pjovimo peilis būtų sulygiuotas centro atžvilgiu ir aštrus, o jo diskas arba centrinė anga nebūtų sugadinti.	X		
Įsitikinkite, kad varikliui veikiant tuščiaja eiga pjovimo įtaisas nesisuka.	X		
Sutepkite dviejų dalių veleną.		X	
Patikrinkite starterio virvės rankenėlę ir starterio virvę.		X	
Patikrinkite kampinės pavaros sutepimą.		X	
Nuvalykite uždegimo žvakės išorinį paviršių. Išimkite uždegimo žvakę ir išmatuokite tarpą tarp elektrodų. Sureguliuokite tarpą tarp elektrodų arba pakeiskite uždegimo žvakę.		X	
Išvalykite aušinimo sistemą.		X	
Išvalykite arba pakeiskite duslintuvo kibirkščių sulaikymo tinklelį.		X	
Išvalykite karbiuratoriaus išorinį paviršių ir plotą aplink jį.		X	
Patikrinkite, ar nepažeistas kuro filtras.			X
Patikrinkite, ar nepažeista kuro žarnelė.			X
Patikrinkite visus laidus ir jungtis.			X
Patikrinkite, ar nesusidėvėjusi sankaba, sankabos spyruoklės ir sankabos būgnelis.			X
Pakeiskite uždegimo žvakę.			X

Greičio tuščiaja eiga reguliavimas

Prieš reguliuodami greitį tuščiaja eiga įsitikinkite, kad oro filtras švarus, o oro filtro dangtelis pritvirtintas.

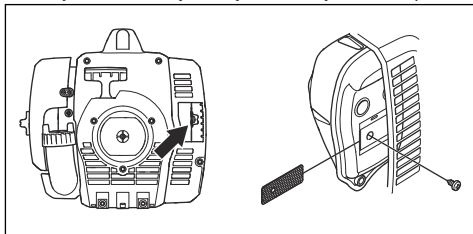
1. Sukite tuščiosios eigos varžtą (jį nurodo žymė „T“) pagal laikrodžio rodyklę, kol pjovimo įtaisas pradės sukintis.



2. Sukite tuščiosios eigos reguliavimo varžtą (jį nurodo žymė „T“) laikrodžio rodyklės kryptimi, kol pjovimo įtaisas nustos sukintis.
3. Greitis tuščiąja eiga turi būti mažesnis nei greitis, kuriam esant pradeda sukintis pjovimo įtaisas. Greitis tuščiąja eiga yra tinkamas, kai variklis tolygiai veikia visose padėtyse.

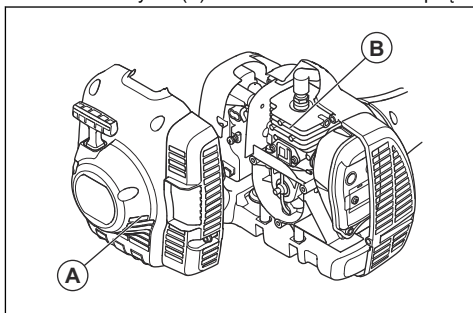
Kibirkščių sulaikymo tinkelio priežiūra

- Valykite kibirkščių sulaikymo tinkelį vieliniu šepetiu.



Aušinimo sistemos valymas

- Išvalykite oro įsiurbimo angą (A) ant starterio ir aušinimo iškyšas (B) ant cilindro naudodami šepetį.



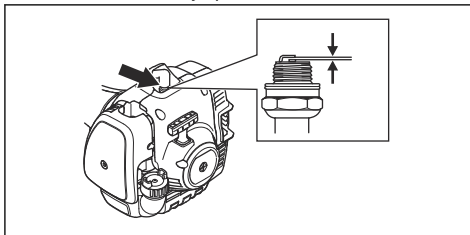
Uždegimo žvakės tikrinimas



PASTABA: Naudokite rekomenduojamą uždegimo žvakę. Įsitinkinkite, kad keičiama dalis yra tokia pat, kaip gamintojo naudojama dalis.

Netinkama uždegimo žvakė gali sugadinti gaminį. Įsitinkinkite, kad degimo žvakėje yra slopintuvas. Dėl išsamesnės informacijos prašome kreiptis į savo techninės priežiūros atstovą.

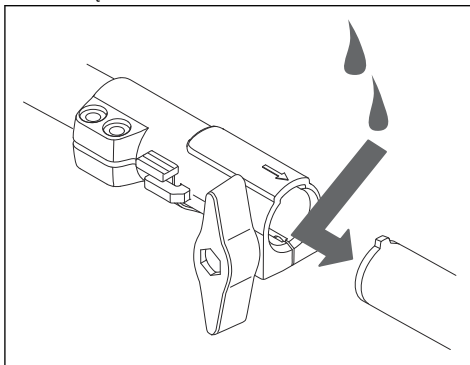
1. Patikrinkite uždegimo žvakę, kai:
 - a) sumažėja variklio galia.
 - b) variklį sunku užvesti.
 - c) variklis netinkamai veikia tuščiąja eiga.
2. Jei variklį sunku užvesti arba jis veikia nesklaidžiai, patikrinkite, ar ant uždegimo žvakės nėra pašalinių medžiagų. Norėdami sumažinti pašalinių medžiagų atsiradimą ant uždegimo žvakės elektrodų:
 - a) įsitinkinkite, kad tinkamai sureguliuotas greitis tuščiąja eiga.
 - b) įsitinkinkite, kad naudojate tinkamą kuro mišinį.
 - c) patikrinkite, ar oro filtras yra švarus.
3. Jei uždegimo žvakė nešvari, nuvalykite ją. Patikrinkite, ar tarpas tarp elektrodų yra tinkamas. Žr. *Techniniai duomenys psl. 296.*



4. Esant reikalui pakeiskite uždegimo žvakę.

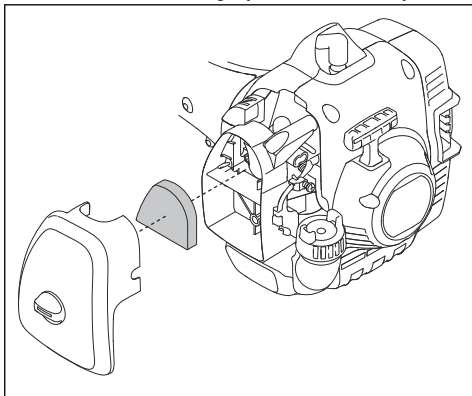
Dviejų dalių veleno suteptimas

- Sutepkite varančiojo veleno galą kas 30 darbo valandų.



Kaip išvalyti oro filtrą

1. Nuimkite oro filtro dangtelį ir išimkite oro filtrą.



2. Išplaukite oro filtrą šiltame muiluo tame vandenyje. Prieš sumontuodami oro filtrą, palaukite, kol jis išdžius.
3. Pakeiskite oro filtrą, jei jis toks purvinas, kad jo nebeįmanoma išplauti. Visada pakeiskite pažeistą oro filtrą.
4. Jei gaminyje naudojamas poroloninis oro filtras, naudokite oro filtrų alyvą. Oro filtrų alyvą naudokite tik porolono filtriui. Nenaudokite alyvos veltiniam oro filtriui.

Oro filtrų alyvos naudojimas oro filtriui

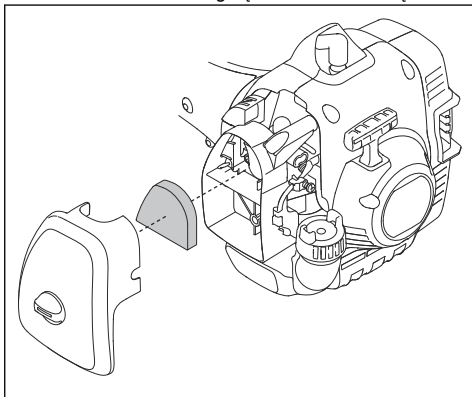


PASTABA: Poroloniniams oro filtrams visada naudokite specialią oro filtrų alyvą. Nenaudokite kitų rūšių alyvos.

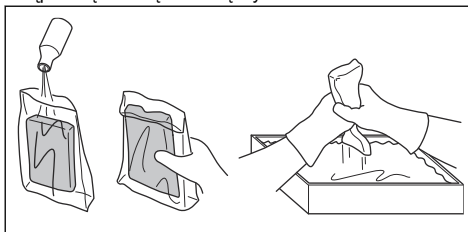


PERSPĖJIMAS: Neapsiliekiokite alyva kūno.

1. Nuimkite oro filtro dangtelį ir išimkite oro filtrą.



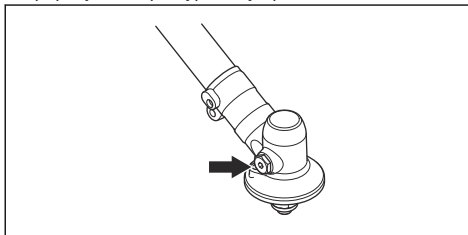
2. Įdėkite oro filtrą į plastikinį maišelį.
3. Įpilkite į maišelį oro filtrų alyvos.



4. Suspauskite plastikinį maišelį, kad alyva tolygiai pasiskirstytų po oro filtrą.
5. Suspauskite maišelyje esantį oro filtrą, kad išspausumėte nereikalingą oro filtrų alyvą. Išimkite oro filtrą iš maišelio.
6. Sumontuokite oro filtrą.

Kampinės pavaros tepimas

- Būtinai patikrinkite, ar $\frac{3}{4}$ kampinės pavaros yra pripildyta kampinių pavarų tepalu.



Gedimai ir jų šalinimas

Nepavyksta užvesti variklio

Tikrinkite toliau išvardytus dalykus	Galima priežastis	Veiksmai
Starterio strektės.	Starterio strektės negali laisvai judėti.	Nuimkite starterio dangtelį ir išvalykite plotą aplink starterio strektes.
		Kreipkitės pagalbos į įgaliotą techninės priežiūros atstovą.
Degalų bakelis.	Netinkama degalų rūšis.	Ištuštinkite degalų bakelį ir pripilkite tinkamų degalų.
Uždegimo žvakė.	Uždegimo žvakė nešvari arba drėgna.	Pasirūpinkite, kad degimo žvakė būtų sausa ir švari.
	Netinkamas tarpas tarp uždegimo žvakės elektrodų.	Išvalykite žvakę. Patikrinkite, ar tarpas tarp elektrodų yra tinkamas. Pasirūpinkite, kad degimo žvakėje būtų slopintuvas.
	Atsileidusi uždegimo žvakė.	Tinkamą tarpą tarp elektrodų žr. <i>Techniniai duomenys psl. 296.</i> Priveržkite uždegimo žvakę.

Variklis užsiveda, tačiau vėl užgęsta.

Tikrinkite toliau išvardytus dalykus	Galima priežastis	Veiksmai
Degalų bakelis	Netinkama degalų rūšis.	Ištuštinkite degalų bakelį ir pripilkite tinkamų degalų.
Oro filtras	Užsikimšęs oro filtras.	Išvalykite oro filtrą.

Gabenimas ir laikymas

- Prieš pastatydami saugoti, visuomet leiskite gaminiui atvėsti.
- Norėdami laikyti ir transportuoti gaminį ir kurą, įsitinkinkite, kad jis neprateka ir neskleidžia išmetamųjų dujų. Žiežirbos arba atvira ugnis, pvz., elektriniai įrenginiai arba džiovintuvai, gali sukelti gaisrą.
- Laikydami ir transportuodami kurą visada naudokite patvirtintus konteinerius.
- Prieš palikdami gaminį saugoti ilgesniam laikui, išpilkite kurą. Kurą išpilkite tinkamoje šalinimo vietoje.
- Gabendami arba laikydami uždėkite gabenimo apsaugą.
- Nuimkite uždegimo žvakės antgalį nuo uždegimo žvakės.
- Gabendami pritvirtinkite įrenginį. Pasirūpinkite, kad jis negalėtų pajudėti.
- Prieš padėdami laikyti ilgesniam laikui, įrenginį išvalykite ir atlikite techninę priežiūrą

Techniniai duomenys

Techniniai duomenys

	122C	122LK
Variklis		
Cilindro darbinis tūris, cm ³	21,7	21,7
Greitis tuščiaja eiga, aps./min	2900	2900
Rekomenduojamos maks. apskukos be apkrovos, r/min	7200	9100
Galios atidavimo veleno greitis, aps./min	7200	6232
Galia / didžiausioji variklio galia pagal ISO 8893, kW / AG / aps./min.	0,6 / 0,8 esant 7 800	0,6 / 0,8 esant 7 800
Duslintuvas su katalizatoriumi	Taip	Taip
Apsisukimų skaičiumi reguliuojama degimo sistema	Ne	Ne
Uždegimo sistema		
Uždegimo žvakė	HQT-4 672201	HQT-4 672201
Tarpas tarp elektrodų, mm	0,5	0,5
Degalų sistema		
Degalų bakelio talpa, l/cm ³	0,3 / 300	0,3 / 300
Svoris		
Svoris be kuro, pjovimo įrankių ir apsaugos, kg	4.4	4,8
Skleidžiamas triukšmas ⁴³		
Garso galios lygis, matuojamas dB (A)	102	104
Garso galios lygis, garantuojamas L _{WA} , dB (A)	104	108
Triukšmo lygiai ⁴⁴		
Ekvivalentinis garso slėgio lygis naudotojo ausyse, išmatuotas pagal EN ISO 11806 ir ISO 22868, dB(A)	88	90
Vibracijos lygis ⁴⁵		
Ekvivalentiškas vibracijos lygis (a _{nv, eq}) dirbant su žoliapjovės galvute kairiojoje rankenoje, m/s ²	5,0	3,6
Ekvivalentiškas vibracijos lygis (a _{nv, eq}) dirbant su žoliapjovės galvute dešiniojoje rankenoje, m/s ²	3,6	3,5

⁴³ Triukšmas, skleidžiamas į aplinką, išmatuotas kaip garso galia (L_{WA}) pagal EB direktyvą 2000/14/ EB. Pateiktas įrenginio garso stiprumo lygis buvo išmatuotas naudojant didžiausią garsą sukeltantį originalų pjovimo įtaisą. Skirtumas tarp garantuojamojo ir matuojamojo garso stiprumo yra tas, kad pagal Direktyvą 2000/14/EB garantuojamasis garso stiprumas apima ir matavimo rezultatų sklaidą bei nukrypimus tarp skirtingų to pačio modelio įrenginių.

⁴⁴ Pateiktuose duomenyse apie ekvivalentinį gaminio garso slėgio lygį yra 1 dB (A) tipiška statistinė sklaida (standartinis nuokrypis).

⁴⁵ Pateiktuose atitinkamo vibracijos lygio duomenyse yra 1 m/s² tipiška statistinė sklaida (standartinis nuokrypis).

Priedai

Priedai

122C		
Patvirtinti priedai	Tipas	Pjovimo įtaiso apsauginis elementas
Sriegiuotas velenas	3/8 col. D	–
Žoliapjovės galvutė	T25 (Ø 2,0–2,4 mm lynelis)	574 47 95-01
	T25C (Ø 2,0–2,7 mm lynelis)	
	R25 (Ø 2,0–2,4 mm lynelis)	
122LK		
Patvirtinti priedai	Tipas	Pjovimo įtaiso apsauginis elementas
Sriegiuotas velenas	M10	–
Žoliapjovės galvutė	T25 (Ø 2,0–2,4 mm lynelis)	574 19 87-01
	R25 (Ø 2,0–2,4 mm lynelis)	

Šiuos priedus rekomenduojama naudoti su toliau išvardytais modeliais.

Patvirtinti priedai	Tipas	Naudojami
Šepečio priedas	SR600-2	122LK
Gyvatvorių pjovimo įtaisas	HA200	122LK
Gyvatvorių pjovimo įtaisas	HA860	122LK
Kraštų pjovimo priedas	ECA850, ESA860	122LK
Pjūklo priedas	PA1100	122LK
Ilgintuvo priedas	EX780	122LK
Kultivavimo priedas	CA230	122LK
Pūstuvo priedas	BA101	122LK
Šepečio su šeriais priedas	BR600	122LK
Skarifikatoriaus priedas	DT600	122LK

Atitikties deklaracija

ES atitikties deklaracija

Mes, Husqvarna AB, SE-561 82 Huskvarna, Švedija,
tel. +46-36-146500, prisiimdami visą atsakomybę
pareiškiamo, kad gaminy:

Aprašymas	Benzininė žoliapjovė / krūmapjovė
Gamintojas	Husqvarna
Tipas / modelis	122C, 122LK
Identifikacijos numeris	Serijos numerių data nuo 2022

visiškai atitinka šias ES direktyvas ir reglamentus:

Reglamentas	Aprašymas
2006/42/EB	„dėl mašinų“
2014/30/ES	„dėl elektromagnetinio suderinamumo“
2000/14/EB	„dėl triukšmo lauke“
2011/65/ES	dėl tam tikrų pavojingų medžiagų naudojimo apribojimo

Taikyti šie standartai:

EN ISO 12100:2010, EN ISO 11806-1:2011, ISO
14982:1998, CISPR 12:2007+A1:2009, EN IEC
63000:2018

RISE SMP Svensk Maskinprovning AB,, Box 7035,
SE-750 07 Uppsala, Sweden, atliko savanorišką tipo
tyrimą „Husqvarna AB“ vardu.

Sertifikatų numeriai: 122C - SEC/10/2271, 122LK -
SEC/10/2272

„RISE SMP Svensk Maskinprovning AB,“ taip pat
patikrino V priedo atitiktį Tarybos direktyvos 2000/14/EG
reikalavimams.

Sertifikatų numeriai: 122C - 01/164/068, 122LK -
01/164/067.

Huskvarna 2022-05-13



Claes Losdal, Mokslinių tyrimų ir plėtros skyriaus
vadovas, „Husqvarna AB“

Atsakingas už techninę dokumentaciją



1. Trimerā galva
2. Griešanas ierīces aizsargs
3. Stienis
4. Apaļais rokturis
5. Drošesle mēlīte
6. Apturēšanas slēdzis
7. Drošesle mēlītes bloķētājs
8. Aizdedzes sveces uzmava un aizdedzes svece
9. Startera auklas rokturis
10. Degvielas tvertne
11. Gaisa filtra vāks
12. Gaisa izspiešanas pūslītis
13. Drošējvārsta vadība
14. Lietošanas rokasgrāmata
15. Kombinētā uzgriežņu atslēga
16. Startera korpuss
17. Stieņa savienojums
18. Koniskais zobrats
19. Smērvielu uzpilde, reduktors
20. Piedziņas disks

Simboli uz izstrādājuma



BRĪDINĀJUMS! Šis izstrādājums ir bīstams. Tas var izraisīt traumas vai nāvi operatoram vai blakus stāvošām personām, ja izstrādājums netiek lietots uzmanīgi un pareizi. Lai novērstu traumas operatoram vai blakus stāvošām personām, izlasiet un ievērojiet visas drošības instrukcijas lietošanas rokasgrāmātā.



Rūpīgi izlasiet lietotāja rokasgrāmatu un pirms izstrādājuma lietošanas pārliecinieties, vai izprotat instrukcijas.



Izmantojiet aizsargķiveri vietās, kur jums var uzkrīst priekšmeti. Izmantojiet apstiprinātus dzirdes aizsarglīdzekļus. Izmantojiet apstiprinātus acu aizsarglīdzekļus.



Dzenamās vārpstas maksimālais ātrums.



Šis produkts atbilst piemērojamo EK direktīvu prasībām.



Izstrādājums var izsviest objektus, kas var radīt traumas.



Izstrādājuma lietošanas laikā ievērojiet minimālo attālumu — 15 m — no personām un dzīvniekiem.



Izmantojiet apstiprinātus aizsargcimdus.



Velciet darba apavus ar neslīdošām zolēm.



Izmantojiet tikai elastīgu griešanas auklu. Neizmantojiet metāla griešanas ierīces.



Trokšņa emisijas vidē uzlīme atbilstoši ES un Apvienotās Karalistes direktīvām un noteikumiem, kā arī Jaundienvīdveļsas tiesību aktam "Darba vides aizsardzības (trokšņa kontroles) regula (2017)". Izstrādājuma garantētais skaņas jaudas līmenis ir norādīts *Tehniskie dati lpp. 315* un uz etiķetes.



Atgaisošanas sūkņa balons.



Gaisa vārsts.



Šis izstrādājums atbilst spēkā esošajiem AK regulām.

yyyywwxxxx

Datu plāksnītē ir norādīts sērijas numurs. **yyyy** ir ražošanas gads, **ww** ir ražošanas nedēļa.

Piezīme: Pārējie uz izstrādājuma norādītie simboli/uzlīmes attiecas uz citu tirdzniecības nozaru sertifikācijas prasībām.

Euro V emisija



BRĪDINĀJUMS: Motora atvēršana anulē šī ķēdes zāģa ES tipa apstiprinājumu.

Klientu apkalpošanas dienests

Lai sazinātos ar klientu apkalpošanas dienestu un saņemtu palīdzību, zvaniet: 1-800-487-5951 vai apmeklējiet www.husqvarna.com.

Atbildība par izstrādājuma kvalitāti

Saskaņā ar likumiem par izstrādājuma kvalitāti mēs neuzņemamies atbildību par bojājumiem, ko radījis mūsu izstrādājums, ja:

- ir veikts nepareizs izstrādājuma remonts;
- izstrādājuma remonts ir veikts, izmantojot detaļas, ko nav nodrošinājis vai apstiprinājis ražotājs;
- izstrādājumam tiek pievienots piederums, ko nav nodrošinājis vai apstiprinājis ražotājs;
- izstrādājuma remonts nav veikts pilnvarotā remontdarbnīcā vai pie pilnvarota speciālista.

Drošība

Drošības definīcijas

Brīdinājumi, norādes "Uzmanību!" un piezīmes tiek izmantotas, lai izceltu īpaši svarīgas lietotāja rokasgrāmatas daļas.



BRĪDINĀJUMS: Tiek izmantota tad, ja rokasgrāmatā sniegto instrukciju neievērošanas dēļ operatoram vai blakus esošajām personām draud trauma vai nāves risks.



IEVĒROJIET: Tiek izmantota tad, ja rokasgrāmatā sniegto instrukciju neievērošanas dēļ rodas izstrādājuma, citu materiālu vai blakus esošās teritorijas bojājuma risks.

Piezīme: Tiek izmantota, lai sniegtu plašāku informāciju, kas nepieciešama attiecīgajā situācijā.

Vispārīgi norādījumi par drošību



BRĪDINĀJUMS: Pirms sākat lietot izstrādājumu, izlasiet tālāk izklāstītās brīdinājuma instrukcijas.

- Lietojiet izstrādājumu pareizi. Nepareiza lietošana var radīt smagas vai nāvējošas traumas. Izmantojiet izstrādājumu tikai šajā rokasgrāmatā aprakstītajiem darbiem. Nelietojiet izstrādājumu citiem uzdevumiem.
- Ievērojiet šīs rokasgrāmatas norādījumus. Ievērojiet drošības simbolus un drošības instrukcijas. Ja operators neievēro norādījumus un simbolus, var tikt radīti aprikojuma bojājumi, smagas vai nāvējošas traumas.
- Neizmetiet šo rokasgrāmatu. Izmantojiet norādījumus, lai saliktu, lietu un uzturētu šo izstrādājumu labā stāvoklī. Izmantojiet norādījumus pareizai palīgierīču un piederumu uzstādīšanai. Izmantojiet tikai apstiprinātās palīgierīces un piederumus.
- Nelietojiet bojātu izstrādājumu. Ievērojiet apkopes grafiku. Veiciet tikai tos apkopes darbus, kas aprakstīti šajā rokasgrāmatā. Pārējos apkopes darbus uzticiet pilnvarotam apkopes centram.
- Šī rokasgrāmatā nevar ietvert visas situācijas, kas var rasties, izmantojot šo izstrādājumu. Esiet uzmanīgs un saprātīgs. Nelietojiet pūtēju un neveiciet tā apkopi, ja neesat drošs par radušos situāciju. Sazinieties ar izstrādājuma speciālistu, izplatītāju, apkopes pārstāvi vai pilnvarotu apkopes centru, lai saņemtu papildinformāciju.
- Pirms izstrādājuma montāžas, novietošanas uzglabāšanā vai apkopes veikšanas atvienojiet aizdedzes sveces kabeli.
- Neizmantojiet izstrādājumu, ja tā sākotnējā specifikācija ir mainīta. Nemainiet izstrādājuma detaļas bez ražotāja apstiprinājuma. Lietojiet tikai ražotāja apstiprinātās rezerves daļas. Veicot nepareizu apkopi, var tikt radītas smagas vai nāvējošas traumas.
- Neieelpojiet dzinēja radītos izgarojumus. Ilgstoša dzinēja izplūdes gāzu ieelpošana var apdraudēt veselību.
- Nelietojiet izstrādājumu telpās vai ugunsdrošu materiālu tuvumā. Izplūdes gāzes ir karstas un var saturēt dzirksteļus, kas var izraisīt aizdegšanos. Nepietiekama gaisa plūsma var izraisīt savainojumus vai nāvi, nosmokot vai saindējoties ar oglekļa monoksīdu (tvana gāzi).
- Produkta lietošanas laikā tā dzinējs rada elektromagnētisko lauku. Elektromagnētiskais lauks var radīt medicīnisko implantātu bojājumus. Pirms izmantot izstrādājumu, sazinieties ar ārstu vai medicīniskā implantāta ražotāju.
- Neļaujiet bērniem lietot šo izstrādājumu. Neļaujiet izstrādājumu lietot personai, kas nav iepazinusies ar lietošanas norādījumiem.
- Ja izstrādājumu izmanto persona ar samazinātām fiziskajām vai garīgajām spējām, vienmēr uzraugiet šo personu. Tuvumā vienmēr jābūt pieaugušajam.
- Ieslēdziet izstrādājumu vieta, kurai nevar piekļūt bērni un nepiederošas personas.
- Izstrādājums var izsviest objektus un radīt traumas. Ievērojiet drošības instrukcijas, lai samazinātu smagu vai nāvējošu traumu gūšanas risku.
- Neatstājiet izstrādājumu, kad darbojas tā dzinējs.

- Izstrādājuma lietotājs ir atbildīgs par radušos negadījumus.
- Pirms izstrādājuma lietošanas pārliecinieties, vai tā detaļas nav bojātas.
- Pirms pūtēja lietošanas pārliecinieties, vai atrodaties vismaz 15 m (50 pēdu) attālumā no citām personām vai dzīvniekiem. Noslēdziet, vai apkārtējie zina, ka lielos pūtēju.
- Ievērojiet valsts vai vietējos likumus. Tie var neļaut vai ierobežot izstrādājuma lietošanu noteiktos apstākļos.
- Neizmantojiet šo izstrādājumu, ja esat noguris vai lietojis alkoholu, narkotikas vai medikamentus. Šīs vielas var ietekmēt jūsu redzi, modrību, koordināciju vai spriestspēju.

Norādījumi par drošu uzstādīšanu



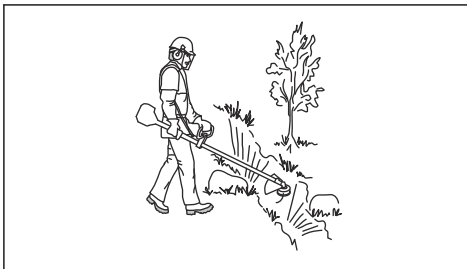
BRĪDINĀJUMS: Pirms sākat lietot izstrādājumu, izlasiet tālāk izklāstītās brīdinājuma instrukcijas.

- Pirms izstrādājuma montāžas ņemiet aizdedzes sveces uzgali no aizdedzes sveces.
- Izmantojiet apstiprinātus aizsargcimdus.
- Pirms iedarbināt dzinēju, pārliecinieties, vai pārsegu un vārpstu esat piemontējis pareizi.

Norādījumi par drošu darbu

- Pirms izstrādājuma lietošanas pārliecinieties, vai tas ir pilnībā samontēts.
- Pirms sākt darbu, pārvietojiet trimeri 3 m (10 pēdu) attālumā no vietas, kur veicat degvielas tvertnes uzpildi. Novietojiet izstrādājumu uz līdzenas virsmas. Pārliecinieties, vai griešanas ierīce nepieskaras zemei vai citiem priekšmetiem.
- Izstrādājums var izsviest objektus, kas var radīt acu traumas. Lietojot izstrādājumu, vienmēr izmantojiet atbilstošus acu aizsarglīdzekļus.
- Esiet uzmanīgs, jo darba laikā, jums nezinot, izstrādājuma tuvumā var nokļūt bērni.
- Nelietojiet izstrādājumu, ja darba zonā atrodas citas personas. Pārtrauciet lietot izstrādājumu, ja darba zonā ienāk cita persona.
- Nezaudējiet vadību pār izstrādājumu.
- Neizmantojiet izstrādājumu, ja jums nebūs, kas sniedz palīdzību, kad rodas negadījums. Pirms izstrādājuma lietošanas vienmēr pārliecinieties, vai citi zina, ka jūs to lietojat.
- Negrieziet, turot izstrādājumu, pirms tam nepārliecinoties, ka citas personas vai dzīvnieki atrodas drošā attālumā.
- Pirms darba sākšanas novāciet visus nevēlamus materiālus no darba zonas. Ja griešanas ierīce atsitas pret objektu, tas var tikt izsviests, radot traumas vai bojājumus. Nevēlami materiāli var apfīties ap griešanas ierīci un radīt bojājumus.

- Neizmantojiet izstrādājumu sliktos laika apstākļos (migla, lietus, stiprs vējš, negaisa iespējamība vai līdzīgos laika apstākļos). Sliktos laika apstākļos var rasties bīstami darba apstākļi (piemēram, slidenas virsmas).
- Pārliecinieties, vai varat brīvi kustēties un strādāt stabilā stāvoklī.



- Gādājiet, lai jūs nepakristu, lietojot izstrādājumu. Nepieliecieties izstrādājuma lietošanas laikā.
- Vienmēr turiet izstrādājumu ar abām rokām. Turiet izstrādājumu ķermeņa labajā pusē.



- Lietojot izstrādājumu, tā griešanas ierīcei atrodies zemāk par jūsu jostasvietu.
- Ja dzinēja iedarbināšanas laikā gaisa vārsta vadība atrodas gaisa vārsta pozīcijā, griešanas ierīce sāks griezties.
- Pēc dzinēja apturēšanas nepieskarieties koniskajam zobratam. Pēc dzinēja apturēšanas koniskais zobrats ir karsts. Karsti objekti var radīt apdegumus.
- Pirms izstrādājuma pārvietošanas izslēdziet dzinēju.
- Nenolieciet izstrādājumu zemē, kad tā dzinējs darbojas.
- Pirms nevēlamu materiālu noņemšanas no izstrādājuma apturiet dzinēju un uzgaidiet, līdz griešanas ierīce apstājas. Ļaujiet griešanas ierīcei apstāties, pirms jūs vai cita persona ņemāt nogrieztu materiālu.

Individuālie aizsarglīdzekļi



BRĪDINĀJUMS: Pirms sākat lietot šo izstrādājumu, izlasiet tālāk izklāstītās brīdinājumus.

- Izmantojot izstrādājumu, vienmēr lietojiet apstiprinātus individuālos aizsarglīdzekļus. Šādi

līdzekļi nevar pilnībā novērst traumu gūšanas risku, taču samazina traumu smaguma pakāpi, ja negadījums tomēr notiek. Ļaujiet izplatītajam palīdzēt jums izvēlēties pareizo aprīkojumu.

- Izmantojiet aizsargķiveri, ja pastāv kritošu priekšmetu draudi.
- Lietojiet tādus dzirdes aizsarglīdzekļus, kas nodrošina pietiekamu trokšņa slāpēšanu. Ilgstoša uzturēšanās troksnī var radīt būtiskus dzirdes bojājumus.
- Izmantojiet apstiprinātus acu aizsarglīdzekļus. Apstiprinātas aizsargbrilles ir jālieto arī tad, ja tiek izmantots sejsēgs. Apstiprinātas aizsargbrilles ir tādas, kas atbilst standarta ANSI Z87.1 prasībām ASV vai standarta EN 166 prasībām ES valstīs.
- Sejas aizsardzībai izmantojiet sejsēgu. Ar sejsēgu nepietiek, lai aizsargātu acis.



- Vajadzības gadījumā izmantojiet cimdus, piemēram, piestiprinot, pārbaudot vai tīrot griešanas ierīci.
- Valkājiet neslīdošus un stabilus zābakus.
- Lietojiet izturīga auduma apģērbu. Vienmēr valkājiet biezas, garas bikses un apģērbu ar garām piedurknēm. Nevalkājiet vaļīgu apģērbu, kas viegli var ieķerties krūmos un zaros. Nenēsājiet rotaslietas, nevelciet šortus, sandales un nestrādājiet basām kājām. Sakārtojiet matus droši virs pleciem.



- Gādājiet, lai tuvumā būtu pirmās palīdzības piederumi.



Izstrādājuma drošības ierīces



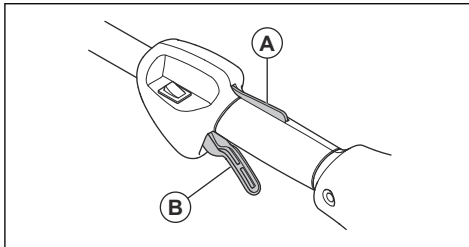
BRĪDINĀJUMS: Pirms sākat lietot izstrādājumu, izlasiet tālāk izklāstītās brīdinājuma instrukcijas.

- Nelietojiet izstrādājumu ar bojātām drošības ierīcēm.
- Regulāri pārbaudiet drošības ierīces. Sk. *Apkopes grafīks lpp. 311*.

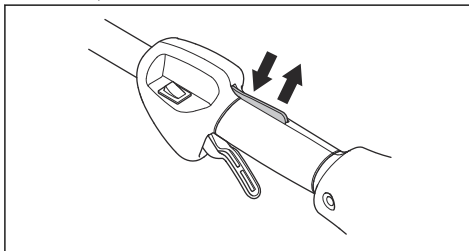
- Ja drošības ierīces ir bojātas, sazinieties ar vietējo Husqvarna apkopes sniedzēju.

Droseles mēlītes bloķētāja pārbaude

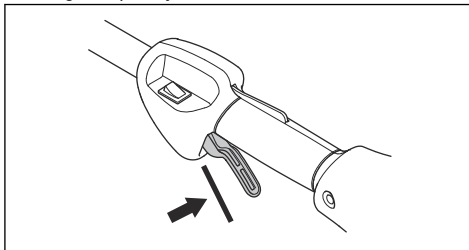
1. Pārbaudiet, vai droseles mēlītes bloķētājs (A) un droseles mēlīte (B) brīvi pārvietojas un atgriezējatspere darbojas pareizi.



2. Nospiediet uz leju droseles mēlītes bloķēšanas mehānismu un pārbaudiet, vai tas ieņem sākotnējo stāvoklī, kad to atlaiž.



3. Pārbaudiet, vai, droseles mēlītes bloķēšanas mehānismu atlaižot, droseles mēlīte tiek fiksēta brīvgaitas pozīcijā.



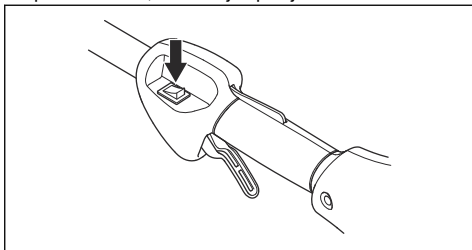
4. Iedarbiniet izstrādājumu ar pilnībā atvērtu droseli.
5. Atlaidiet droseles mēlīti un pārbaudiet, vai asmeņi apstājas un paliek nekustīgi.



BRĪDINĀJUMS: Ja asmeņi ir kustībā, kad droseles mēlīte ir brīvgaitas pozīcijā, ir jāregulē ir karburatora brīvgaitas apgriezienu skaits. Skatiet šeit: *Tukšgaitas apgriezienu skaita regulēšana lpp. 312*.

Apturēšanas slēdža pārbaude

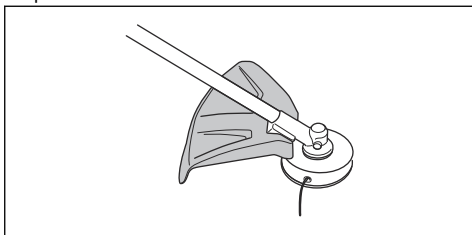
1. Iedarbiniet dzinēju.
2. Pārvietojiet slēdzi izslēgšanas stāvoklī un pārliedzinieties, ka dzinējs apstājas.



Griešanas ierīces aizsarga pārbaude

Griešanas ierīces aizsargs aptur objektus, kas tiek izsviesti operatora virzienā. Tas arī novērš traumas, kas rodas, ja pieskaraties griešanas ierīcei.

1. Apstādiniet dzinēju.
2. Visuāli pārbaudiet, vai nav bojājumu, piemēram, plaisu.



3. Ja griešanas ierīces aizsargs ir bojāts, nomainiet to.

Slāpētājs

- Neizmantojiet motoru, kura slāpētājs ir bojāts. Bojāts trokšņa slāpētājs palielina trokšņa līmeni un aizdegšanās risku. Turiet tuvumā ugunsdzēsamo aparātu.
- Regulāri pārbaudiet izstrādājumam pievienoto trokšņa slāpētāju.
- Nepieskarieties dzinējam vai trokšņa slāpētājam, kad dzinējs darbojas. Nepieskarieties dzinējam vai trokšņa slāpētājam vēl brīdi pēc dzinēja apturēšanas. Karstas virsmas var izraisīt savainojumus.
- Karsts trokšņa slāpētājs var radīt aizdegšanos. Esiet uzmanīgs, ja izmantojat izstrādājumu uzliesmojošu šķidrums vai tvaiku tuvumā.
- Nepieskarieties trokšņa slāpētāja detaļām, ja trokšņa slāpētājs ir bojāts. Detaļas var saturēt kancerogēnas ķīmikālijas.

Griešanas ierīce



BRĪDINĀJUMS: Pirms sākat lietot izstrādājumu, izlasiet tālāk izklāstītās brīdinājuma instrukcijas.

- Regulāri veiciet apkopi. Ļaujiet pilnvarotam apkopes centram regulāri pārbaudīt griešanas ierīci, lai veiktu regulēšanu vai remontu.
 - Tiks uzlabota griešanas ierīces darbība.
 - Tiks pagarināts griešanas ierīces darbūzs.
 - Tiks samazināts negadījumu risks.
- Izmantojiet tikai apstiprinātu griešanas ierīces aizsargu. Skatiet šeit: *Piederumi lpp. 316*.
- Neizmantojiet bojātu griešanas ierīci.

Drošības norādījumi, rīkojoties ar degvielu



BRĪDINĀJUMS: Pirms sākat lietot izstrādājumu, izlasiet tālāk izklāstītās brīdinājuma instrukcijas.

- Nemaisiet degvielu iekšstelpās vai karstu virsmu tuvumā.
- Nelietojiet izstrādājumu, ja uz tā ir degviela vai dzinēja eļļa. Notīriet nevēlamo degvielu/eļļu un ļaujiet izstrādājumam nožūt. Notīriet no izstrādājuma nevēlamo degvielu.
- Ja degviela ir nokļuvusi uz apģērba, nekavējoties pārgērbieties.
- Neļaujiet degvielai nonākt uz ķermeņa, jo tā var izraisīt savainojumus. Ja degviela ir nonākusi uz ķermeņa, izmantojiet ziepes un ūdeni, lai to nomazgātu.
- Neiedarbiniet dzinēju, ja uz izstrādājuma vai jūsu ķermeņa ir izlijusi eļļa vai degviela.
- Nelietojiet izstrādājumu, ja dzinējā ir sūce. Regulāri pārbaudiet, vai dzinējam nav radusies sūce.
- Rīkojoties ar degvielu, esiet uzmanīgs. Degviela ir viegli uzliesmojoša, tās tvaiki ir sprādzienbīstami, un var izraisīt savainojumus vai nāvi.
- Neieelpojiet degvielas tvaikus, jo tie var izraisīt savainojumus. Pārliedzinieties, vai gaisa plūsma ir pietiekama.
- Nesmēķējiet degvielas vai dzinēja tuvumā.
- Nenovietojiet siltus objektus degvielas vai dzinēja tuvumā.
- Nepievienojiet degvielu dzinēja darbības laikā.
- Pirms degvielas uzpildes pārliedzinieties, vai dzinējs ir atdzisis.
- Pirms uzpildes lēni atveriet degvielas tvertnes vāciņu un uzmanīgi izlaidiet spiedienu.
- Pirms degvielas uzpildīšanas un jaukšanas (benzīns un divtaktu dzinēja eļļa) vai degvielas tvertnes iztukšošanas pārliedzinieties, vai gaisa plūsma ir pietiekama.

- Degviela un degvielas tvaiki ir viegli uzliesmojoši un var radīt nopietnas traumas gan tos ieelpojot, gan tiem nokļūstot uz ādas. Tāpēc rīkojieties ar degvielu uzmanīgi un nodrošiniet pietiekamu gaisa plūsmu.
- Rūpīgi pievelciet degvielas tvertnes vāciņu, lai neizraisītu aizdegšanos.
- Pirms iedarbināšanas pārvietojiet izstrādājumu vismaz 3 m (10 pēdu attālumā) no vietas, kur veicāt uzpildi.
- Neļaujiet degvielas tvertnē pārāk daudz degvielas.
- Pārliecinieties, vai, pārvietojot izstrādājumu vai degvielas tvertni, nerodas sūce.
- Nenovietojiet izstrādājumu vai degvielas tvertni vietā, kur ir atklāta uguns, dzirksteles vai signāllampiņas. Pārliecinieties, vai uzglabāšanas vietā nav atklāta uguns.
- Degvielas pārvietošanai un uzglabāšanai izmantojiet tikai tam paredzētas tvertnes.
- Pirms ilgstošas uzglabāšanas iztukšojiet degvielas tvertni. Ievērojiet vietējos noteikumus par atbrīvošanos no degvielas.
- Pirms ilgstošas uzglabāšanas noīriiet izstrādājumu.
- Pirms izstrādājuma novietošanas glabāšanā izņemiet aizdedzes sveci, lai nodrošinātu, ka dzinējs nejauši neieslēdzas.
- Apturiet dzinēju, pārliecinieties, vai griešanas ierīce apstājas, un ļaujiet izstrādājumam atdzist pirms apkopes darbu veikšanas.
- Pirms apkopes darbu veikšanas atvienojiet aizdedzes sveces uzgali.
- Dzinēja gāzu izplūdes satur oglekļa monoksīdu, kas ir bezkrāsaina, indīga un ļoti bīstama gāze, kura var izraisīt nāvi. Nedarbiniet izstrādājumu iekšējās vai slēgtās telpās.
- Dzinēja izplūdes gāzes ir karstas, un tajās var būt dzirksteles. Nedarbiniet izstrādājumu telpās vai ugunsnedrošu materiālu tuvumā.
- Piederumi un pārveidojumi izstrādājumā, kurus ražotājs nav apstiprinājis, var izraisīt nopietnas traumas vai nāvi. Nepārveidojiet izstrādājumu. Vienmēr izmantojiet oriģinālos piederumus.
- Ja apkope netiek veikta pareizi un regulāri, palielinās traumu gūšanas risks un bojājumu izstrādājumam risks.
- Veiciet tikai to apkopi, kas ir ieteikta šajā lietotāja rokasgrāmatā. Ļaujiet pilnvarotā Husqvarna servisa pārstāvim veikt visu pārējo apkopi.
- Ļaujiet pilnvarotā Husqvarna servisa pārstāvim regulāri veikt izstrādājuma apkopi.
- Nomainiet bojātās, nodilušās un salūzušās detaļas.
- Skatiet griešanas ierīces norādījumus, lai iegūtu informāciju par pareizu trimera auklas uzstādīšanu un tās diametru.
- Asmens zobiem ir jābūt pareizi uzasinātiem! Ievērojiet mūsu ieteikumus. Izlasiet arī norādījumus uz asmens iepakojuma.

Norādījumi par drošu apkopi



BRĪDINĀJUMS: Pirms sākat lietot šo izstrādājumu, izlasiet zemāk izklāstītos brīdinājumus.

Montāža

Ievads



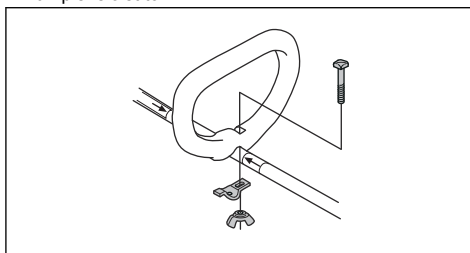
BRĪDINĀJUMS: Pirms montējat izstrādājumu, izlasiet nodaļu par drošību un pārliecinieties, vai saprotat to.



BRĪDINĀJUMS: Noņemiet aizdedzes sveces vadu no aizdedzes sveces, pirms montējat izstrādājumu.

Āpaļā roktura piestiprināšana

1. Piestipriniet apaļo rokturi stienim, kā parādīts attēlā, un pievelciet to.

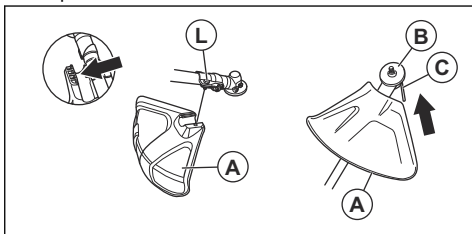


2. Pārliecinieties, vai apaļais rokturis ir piestiprināts starp bultīņām uz stieņa.

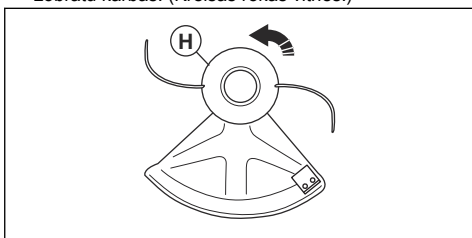
Griešanas ierīces aizsarga un trimera galvas (taisnais stienis) piestiprināšana

1. Piestipriniet griešanas ierīces aizsargu (A) stienim, izmantojot skrūvi (L).
2. Piestipriniet piedziņas disku (B) piedziņas vārpstai.

- Grieziet piedziņas vārpstu, līdz piedziņas diska atvere salāgojas ar atveri zobratu kārbā.
- Levietojiet atverē mazu skrūvgriezi (C), lai fiksētu vārpstu.

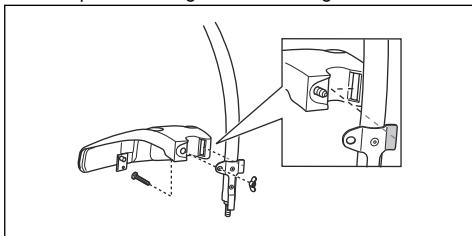


- Grieziet trimera galvu (H) pretēji pulksteņrādītāju kustības virzienam, lai trimera galvu nostiprinātu pie zobratu kārbas. (Kreisās rokas vītnes.)

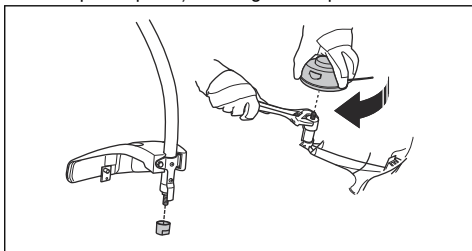


Lai piestiprinātu griešanas ierīces aizsargu un trimmera galvu (liektais aprīkojuma stienis)

- Piestipriniet aizsargu. Pievelciet uzgriezni.



- Piestipriniet putekļu aizsargu uz vārpstas.

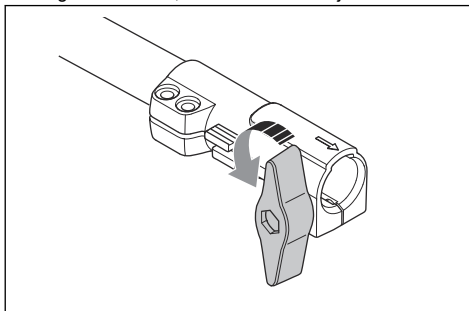


- Pieturiet putekļu aizsargu ar regulējamo uzgriežņu atslēgu, lai pārlicinātās, ka aprīkojuma stienis negriežas.

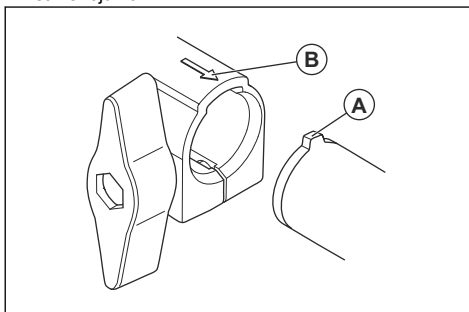
- Uzstādi trimmera galvu uz aprīkojuma stienā. Pagrieziet trimmera galvu pulksteņrādītāja kustības virzienā.

Divdaļīgās vārpstas montāža

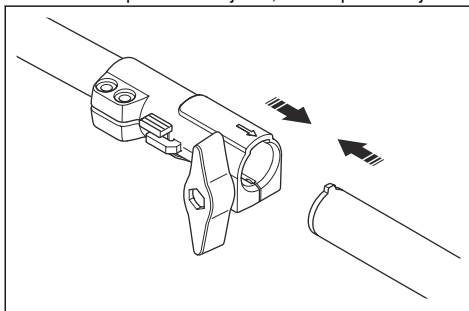
- Pagrieziet rokturi, lai atlaistu savienojumu.



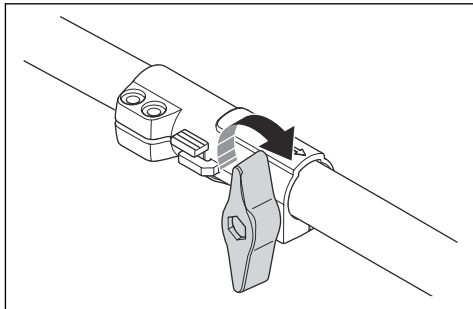
- Salāgojiet fiksatoru (A) ar bultiņu (B) uz savienojuma.



- Iebīdiēt vārpstu savienojumā, līdz vārpsta fiksējas.

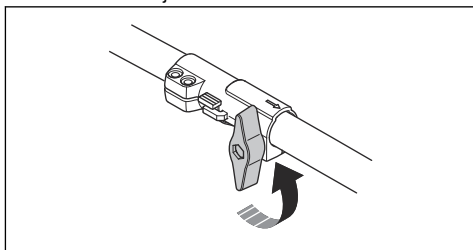


4. Pilnībā pievelciet rokturi.



Divdaļīgā kāta izjaukšana

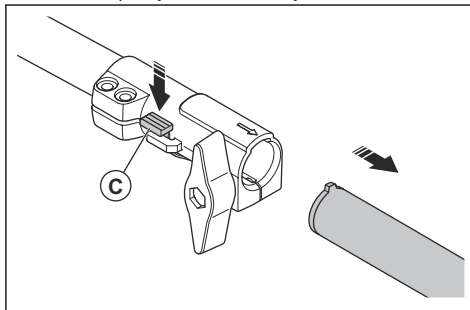
1. Pagrieziet rokturi trīs apgriezienus vai vairāk, lai atlaistu savienojumu.



2. Turiet nospiestu pogu (C).

3. Turiet stingri kāta galu, pie kura ir piestiprināts dzinējs.

4. Izvelciet aprikojumu no savienojuma.



Lietošana

Ievads



BRĪDINĀJUMS: Pirms sākat darbu ar produktu, izlasiet nodaļu par drošību un pārliecinieties, vai saprotat to.

Degviela

Šim izstrādājumam ir divtaktu dzinējs.



IEVĒROJIET: Nepareiza veida degviela var sabojāt dzinēju. Izmantojiet benzīna un divtaktu dzinēja eļļas maisījumu.

Iepriekš sajaukta degviela

- Lai uzlabotu veiktspēju un pagarinātu motora darbību, izmantojiet Husqvarna iepriekš sajauktu alkilātu degvielu. Šī degviela satur mazāk ķīmisku vielu, salīdzinot ar parasto degvielu, tādējādi tiek samazināts kaitīgo izplūdes gāzu apjoms. Izmantojot šo degvielu, atliekvielu līmenis pēc sadegšanas ir zemāks, kas saglabā bīrus motora komponentus.

Degvielas sajaukšana

Benzīns

- Izmantojiet labas kvalitātes bezsvina benzīnu ar maksimālo etanola saturu 10%.



IEVĒROJIET: Neizmantojiet benzīnu, kura oktānskaits ir mazāks nekā 90 RON/87 AKI. Degviela ar zemāku oktānskaiti var radīt motora kļaudzēšanu, kas savukārt rada motora bojājumus.

Divtaktu eļļa

- Lai uzlabotu rezultātus un veiktspēju, izmantojiet Husqvarna divtaktu dzinēja eļļu.
- Ja Husqvarna divtaktu dzinēja eļļa nav pieejama, izmantojiet kvalitatīvu divtaktu dzinēju eļļu, kas paredzēta motoriem ar gaisa dzesēšanu. Lai izvēlēto pareizu eļļu, sazinieties ar vietējo apkopes sniedzēju.



IEVĒROJIET: Nelietojiet divtaktu dzinēja eļļu, kas paredzēta ar ūdeni dzesējamiem piekarināmiem dzinējiem;

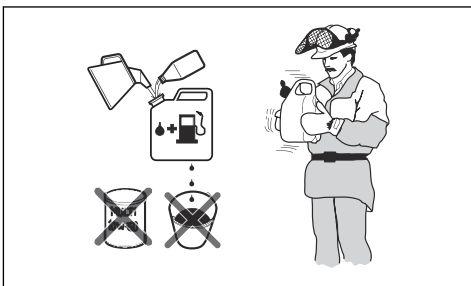
šādu eļļu dēvē arī par piekarināmu dzinēju eļļu. Nelietojiet četrtaktu dzinējiem paredzētu eļļu.

Benzīna un divtaktu dzinēja eļļas sagatavošana

Benzīns, litri	Divtaktu dzinēja eļļa, litri
	2% (50:1)
5	0,10
10	0,20
15	0,30
20	0,40



IEVĒROJIET: Samaisot mazu degvielas daudzumu, nelielas kļūdas var būtiski ietekmēt maisījuma attiecību. Rūpīgi nomēriet eļļas daudzumu un pārbaudiet, vai tiek iegūts pareizs maisījums.



1. Iepildiet pusi benzīna daudzuma tīrā degvielas tvertnē.
2. Pievienojiet visu daudzumu eļļas.
3. Sakratiet degvielas maisījumu.
4. Pievienojiet tvertnē pārējo benzīna daudzumu.
5. Rūpīgi sakratiet degvielas maisījumu.



IEVĒROJIET: Vienā reizē sajauciet degvielu, lai tās pietiek tikai 1 mēnesim.

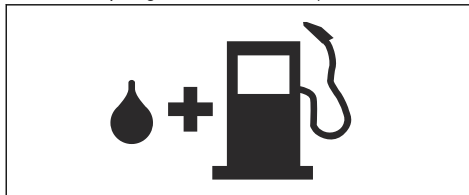
Degvielas tvertnes uzpilde



BRĪDINĀJUMS: Drošības nolūkā ievērojiet tālāk norādīto procedūru.

1. Apturiet dzinēja darbību un ļaujiet tam atdzist.

2. Satīriet ap degvielas tvertnes vāciņu.



3. Sakratiet tvertni un pārbaudiet, vai degviela ir pilnībā sajaukusies ar eļļu.
4. Degvielas tvertnes vāciņu atveriet lēnām, lai samazinātu spiedienu.
5. Uzpildiet degvielas tvertni.



IEVĒROJIET: Pārlicinieties, ka degvielas tvertnē nav pārāk daudz degvielas. Uzkarstot degviela izplešas.

6. Rūpīgi pievelciet degvielas tvertnes vāciņu.
7. Notīriet degvielu, kas izlijusi uz izstrādājuma un ap to.
8. Pirms izstrādājuma iedarbināšanas pārvietojiet to vismaz 3 m/10 pēdu attālumā no degvielas uzpildīšanas vietas un degvielas avota.

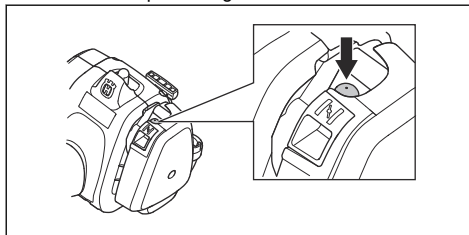
Piezīme: Informāciju par to, kur atrodas konkrētā izstrādājuma degvielas tvertne, sk. *Izstrādājuma pārskats lpp. 299.*

Kas jāpārbauda pirms lietošanas

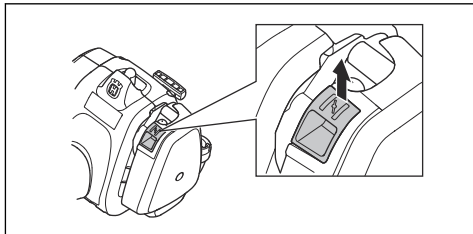
1. Pārlicinieties, vai izstrādājumam nav trūkstošu, bojātu, vaļīgu vai nodilušu daļu.
2. Pārlicinieties, vai skrūves un uzgriežņi ir piegriezti.
3. Pārlicinieties, vai trimera galva nav bojāta.
4. Pārlicinieties, vai gaisa filtrs nav aizsprostots.
5. Pārlicinieties, vai izstrādājuma drošības ierīces nav bojātas.
6. Pārlicinieties, vai no izstrādājuma nenoplūst degviela.

Auksta dzinēja iedarbināšana

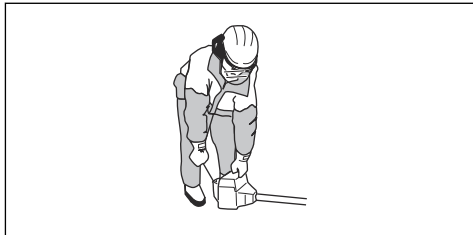
1. 10 reizes nospiediet atgaisošanas sūkni.



2. Iestatiet gaisa vārsta vadību gaisa vārsta pozīcijā.



3. Ar kreiso roku piespiediet izstrādājumu pie zemes.



IEVĒROJIET: Nekāpiet uz izstrādājuma.

4. Ar labo roku lēni velciet startera auklas rokturi, līdz ir jūtama pretestība. Pēc tam ātri un spēcīgi pavelciet startera auklas rokturi, līdz dzinējs sāk darboties vai mēģina sākt darboties.



BRĪDINĀJUMS: Netiniet startera auklu ap roku.

- Iestatiet gaisa vārsta vadību darbības pozīcijā.
- Ja dzinējs sāk darboties, nedaudz paspiediet droseles mēlīti un ļaujiet dzinējam darboties 60 sekundes, līdz tas iesilst. Ja dzinējs neiedarbojas, velciet startera auklas rokturi, līdz tas sāk darboties. Pēc tam nedaudz paspiediet droseles mēlīti un ļaujiet dzinējam darboties 60 sekundes, līdz tas iesilst.



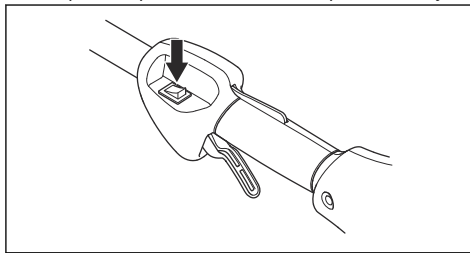
IEVĒROJIET: Neizvelciet startera auklu līdz galam un neatļaidiet startera auklas rokturi. Pretējā gadījumā izstrādājums var tikt bojāts. Atļaidiet startera auklu lēnām.

Silta motora iedarbināšana

- 10 reizes nospiediet atgaisošanas sūkni.
- Pavelciet startera auklu, līdz tiek iedarbināts motors.

Izstrādājuma izslēgšana

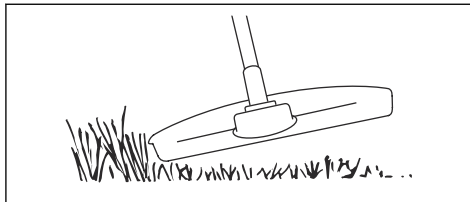
- Nospiediet apturēšanas slēdzi, lai apturētu dzinēju.



Piezīme: Apturēšanas slēdzis automātiski atgriežas sākotnējā stāvoklī.

Zāles apgriešana

- Turiet trimera galvu slīpi tieši virs zemes. Nespiediet trimera auklu tieši zālē.



- Saīsiniet trimera auklu par 10–12 cm/4–4,75 collām.
- Samaziniet dzinēja apgriezienu skaitu, lai samazinātu augiem nodarīta kaitējuma risku.
- Veicot griešanu objektu tuvumā, izmantojiet 80% jaudas.



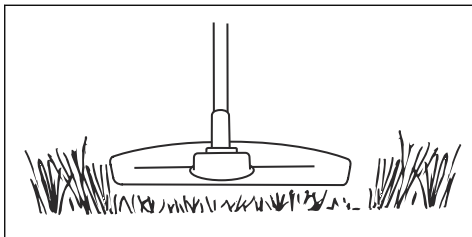
Zāles griešana ar zāles asmeni

- Zāles asmeņus un zāles griezējumus nedrīkst izmantot koka stuburu griešanai.
- Vīsu veidu garas vai rupjas zāles griešanai ir jāizmanto zāles asmens.
- Zāle ir jāgriež ar sānisku kustību no labās puses uz kreiso (pļaušanas gājiens) un no kreisās uz labo (atgriežoties sākmstāvoklī). Sekojiet, lai asmens veiktu pļaušanu ar kreiso malu (sektors starp nosacītās pulksteņa ciparnīcas 8 un 12).

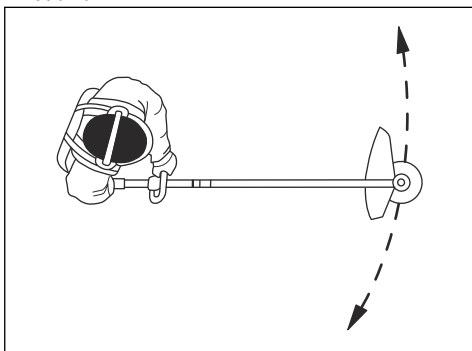
4. Ja plaujot, asmens tiek savērts pa kreisi, zāle saguļas vāļā, kas atvieglo tās savākšanu, piemēram, ar grābekli.
5. Centieties strādāt ritmiski. Stāviet stabili ar izplestām kājām. Pēc atgriešanās sākumstāvoklī pavirzieties nedaudz uz priekšu un atkal ieņemiet stabili stāvokli.
6. Ļaujiet, lai balsta blodiņa viegli atspiežas pret zemi. Tas aizsargā asmeni pret saskari ar zemi.
7. Samaziniet materiāla aptīšanās iespēju ap asmeni, vienmēr strādājot ar maksimāli atvērtu drošeli un izvairoties no materiāla griešanas, veicot atgriešanās kustību.
8. Pirms nogrieztā materiāla savākšanas apturiet dzinēju, atvienojiet trimeri no uzkabes un novietojiet uz zemes.

Zāles griešana

1. Veicot zāles griešanu, trimera auklai jābūt paralēli zemei.



2. Nespiediet trimera galvu pret zemi. Pretējā gadījumā izstrādājums var tikt bojāts.
3. Griežot zāli, virziet izstrādājumu horizontālā virzienā no vienas puses uz otru. Izmantojiet maksimālo ātrumu.



Zāles aizslaucīšana

Gaisa plūsmu no rotējošās trimmera auklas var izmantot, lai aizvāktu zāli no teritorijas.

1. Turiet trimmera galvu un trimmera auklu paralēli zemei un virs zemes.
2. Pilnībā izmantojiet drošeli.
3. Virziet trimmera galvu no vienas puses uz otru un aizslaukiet zāli.



BRĪDINĀJUMS: Notīriet trimmera galvas pārsegu katru reizi, kad piestiprināt jaunu trimmera auklu, lai novērstu līdzsvara trūkumu un vibrāciju rokturos. Pārbaudiet arī pārējās trimmera galvas daļas un vajadzības gadījumā tās notīriet.

Zāles trimmera galva

- Pārliecinieties, vai zāles trimmera aukla ir stingri un vienmērīgi pievilkta ap cilindru, lai mazinātu vibrāciju.
- Izmantojiet tikai apstiprinātas zāles trimmera galvas un zāles trimmera auklas. Skatiet šeit: *Piederumi lpp. 316*.
- Izmantojiet pareiza garuma zāles trimmera auklu. Gara zāles trimmera aukla patērē vairāk motora jaudas, nekā īsa zāles trimmera aukla.
- Pārliecinieties, vai nav bojāts uz griešanas ierīces aizsarga piestiprinātais griezējs.
- Pirms zāles trimmera auklas piestiprināšanas ierīcei divas dienas auklu mērcējiet ūdenī. Tiks palielināts zāles trimmera auklas darbmūžs.
- Lai pareizi uzfītu trimmera auklu un izvēlētos pareizu tās diametru, ievērojiet griešanas ierīces komplektācijā iekļautās instrukcijas.

Apkope

Ievads



BRĪDINĀJUMS: Pirms veicat apkopi, izlasiet nodaļu par drošību un pārliecinieties, vai izprotat to.

Lai veiktu visus izstrādājuma apkopes un remonta darbus, ir nepieciešama īpaša apmācība. Mēs garantējam profesionāla remonta un apkopes pieejamību. Ja jūsu izplatītājs nav servisa pārstāvis, vērsieties pie viņa, lai iegūtu informāciju par tuvāko servisa pārstāvi.

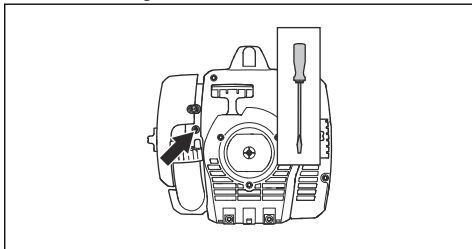
Apkopes grafiks

Apkope	Katru dienu	Reizi nedēļā	Reizi mēnesī
Notīriet ārējo virsmu.	X		
Iztīriet gaisa filtru. Ja nepieciešams, nomainiet.	X		
Pārbaudiet droseles blokatora un droseles darbību.	X		
Pārbaudiet apturēšanas slēdzi.	X		
Pārbaudiet aizsargus.	X		
Pārbaudiet trimera galvu.	X		
Pārbaudiet pretuzgriezni.	X		
Pārbaudiet, vai nerodas degvielas noplūde.	X		
Pārbaudiet, vai zāles asmens ir salāgots ar centru, vai tas ir ass un vai uz asmens vai centrālās atveres nav bojājumu.	X		
Pārbaudiet, vai griešanas ierīce negriežas, dzinējam darbojoties tukšgaitā.	X		
Ieeļļojiet divdaļīgo vārpstu.		X	
Pārbaudiet startera auklas rokturi un startera auklu.		X	
Pārbaudiet koniskā zobrata eļļojumu.		X	
Notīriet aizdedzes sveces ārējo virsmu. Noņemiet aizdedzes sveci un izmēriet elektrodu atstarpi. Noregulējiet elektrodu atstarpi vai nomainiet aizdedzes sveci.		X	
Iztīriet dzesēšanas sistēmu.		X	
Iztīriet vai nomainiet trokšņu slāpētāja dzirkstelju uztvērēja režģi.		X	
Notīriet karburatora ārējo virsmu un ap to esošo laukumu.		X	
Pārbaudiet, vai degvielas filtrs nav aizsērējis.			X
Pārbaudiet, vai nav radušies degvielas šļūtenes bojājumi.			X
Pārbaudiet visus kabeļus un savienojumus.			X
Pārbaudiet sajūga, sajūga atsperes un sajūga cilindra nodiluma līmeni.			X
Nomainiet aizdedzes sveci.			X

Tukšgaitas apgriezienu skaita regulēšana

Pirms tukšgaitas apgriezienu skaita regulēšanas pārliedziet, vai gaisa filtrs ir tīrs un ir piestiprināts gaisa filtra pārsegs.

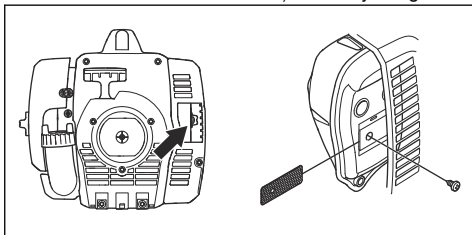
1. Grieziet brīvgaitas apgriezienu skaita skrūvi, kas apzīmēta ar "T" zīmi, pulkstenrādītāju kustības virzienā, līdz griešanas ierīce sāk rotēt.



2. Grieziet brīvgaitas apgriezienu skaita skrūvi, kas apzīmēta ar "T" zīmi, pretēji pulkstenrādītāju kustības virzienam, līdz griešanas ierīce apstājas.
3. Tukšgaitas apgriezienu skaitam ir jābūt mazākam par to, pie kura griešanas ierīce sāk rotēt. Tukšgaitas apgriezienu skaits ir pareizs, ja dzinējs vienmērīgi darbojas visos režīmos.

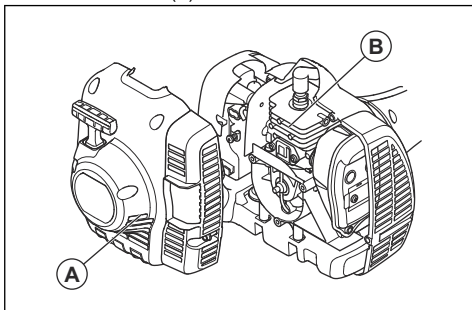
Dzirksteļu uztvērēja režģa apkope

- Ar metāla suku iztīriet dzirksteļu uztvērēja režģi.



Dzesēšanas sistēmas tīrīšana

- Ar suku iztīriet gaisa ieplūdes atveri (A) uz startera un dzeses ribas (B) uz cilindra.

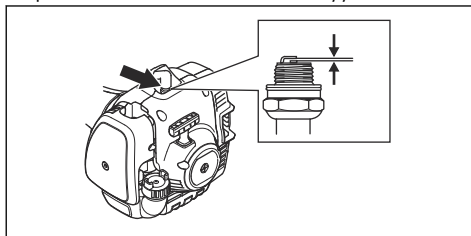


Aizdedzes sveces pārbaude



IEVĒROJIET: Izmantojiet ieteikto aizdedzes sveces tipu. Pārliedziet, vai rezerves detaļa ir tāda pati kā ražotāja nodrošinātā. Nepareiza aizdedzes svece var radīt izstrādājuma bojājumus. Pārbaudiet, vai aizdedzes svece ir uzstādīta ar slāpētāju. Lai iegūtu plašāku informāciju, sazinieties ar izplatītāju.

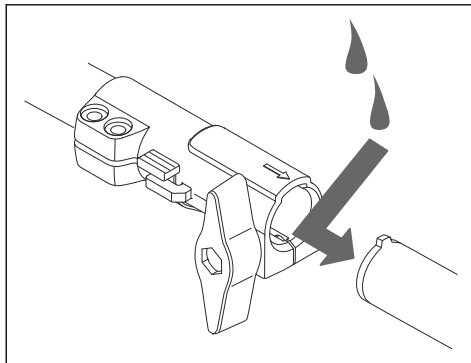
1. Pārbaudiet aizdedzes sveci šādos gadījumos:
 - a) samazinās dzinēja jauda;
 - b) dzinēju ir grūti iedarbināt;
 - c) tukšgaitā dzinējs nedarbojas pareizi.
2. Ja dzinēju ir grūti iedarbināt vai darbināt, pārbaudiet, vai uz aizdedzes sveces nav uzkrājušies nevēlami materiāli. Lai samazinātu nevēlamu materiālu uzkrāšanos uz aizdedzes sveces elektrodiem:
 - a) pārliedziet, vai tukšgaitas apgriezienu skaits ir pareizi noregulēts;
 - b) pārliedziet, vai degvielas maisījums ir pareizs;
 - c) pārliedziet, vai gaisa filtrs ir tīrs.
3. Ja aizdedzes svece ir netīra, notīriet to. Pārbaudiet, vai attālums starp aizdedzes sveces elektrodiem ir pareizs. Skatiet šeit: *Tehniskie dati lpp. 315.*



4. Kad nepieciešams, nomainiet aizdedzes sveci.

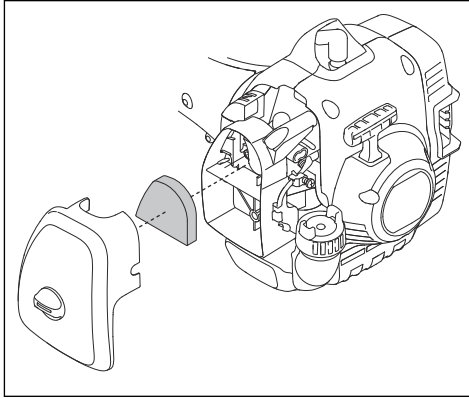
Divdaļīgā aprīkojuma stienģa ieeļļošana

- Ieeļļojiet aprīkojuma stienģa galu pēc katrām 30 darba stundām.



Gaisa filtra tīrīšana

1. Noņemiet gaisa filtra pārsegu un izņemiet gaisa filtru.



2. Izfīriet gaisa filtru ar siltu ziepjūdeni. Pirms uzstādīšanas pārļiecinieties, vai gaisa filtrs ir sauss.
3. Nomainiet gaisa filtru, ja tas ir pārāk netīrs, lai to pilnībā notīrītu. Vienmēr nomainiet bojātu gaisa filtru.
4. Ja izstrādājumam ir putu polistirola filtrs, ieeļļojiet to ar gaisa filtra eļļu. Gaisa filtra eļļu izmantojiet tikai putu polistirola filtram. Nelietojiet eļļu filca filtram.

Gaisa filtra ieeļļošana ar gaisa filtra eļļu

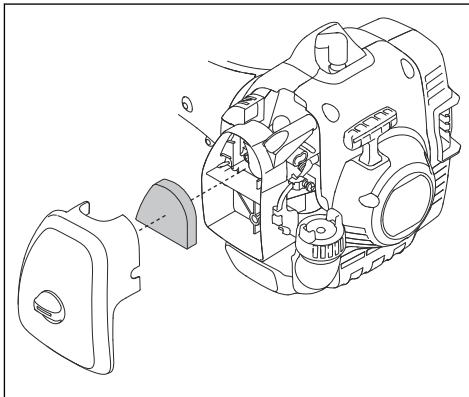


IEVĒROJIET: Putu polistirola filtriem vienmēr izmantojiet speciālo gaisa filtra eļļu. Neizmantojiet citu veidu eļļas.

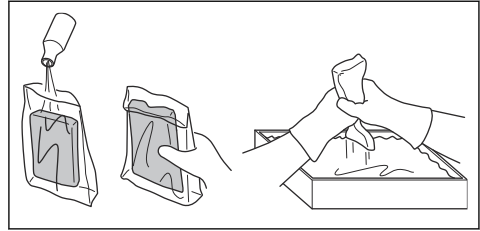


BRĪDINĀJUMS: Neļaujiet eļļai nonākt uz jūsu ķermeņa.

1. Noņemiet gaisa filtra pārsegu un izņemiet gaisa filtru.



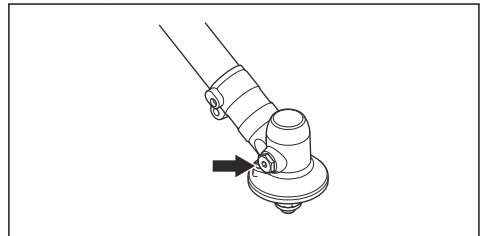
2. Ievietojiet gaisa filtru plastmasas maisiņā.
3. Ievietojiet gaisa filtra eļļu plastmasas maisiņā.



4. Saspieties plastmasas maisiņu, lai nodrošinātu, ka eļļa tiek vienmērīgi uzklāta uz gaisa filtra.
5. Uzspiediet uz gaisa filtra, kad tas atrodas maisiņā, lai nofīrētu lieko gaisa filtra eļļu. Izņemiet gaisa filtru no maisiņa.
6. Uzstādiet gaisa filtru.

Koniskā zobrata ieeļļošana

- Sekojiet, lai koniskais zobrats būtu par trīs ceturtdaļām piepildīts ar smērvielu.



Problēmu novēršana

Dzinējs neiedarbojas

Kas jāpārbauda	Iespējamais iemesls	Darbības
Startera sprūdi.	Startera sprūdi nevar brīvi kustēties.	Noņemiet startera pārsegu un noīriet ap startera sprūdiem.
		Ļaujiet pilnvarotam apkopes sniedzējam jums palīdzēt.
Degvielas tvertne.	Nepiemērota degviela.	Iztukšojiet degvielas tvertni un uzpildiet ar piemērotu degvielu.
Aizdedzes svece.	Aizdedzes svece ir nefīra vai mitra.	Pārbaudiet, vai aizdedzes svece ir sausa un tīra.
	Attālums starp aizdedzes sveces elektrodiem nav pareizs.	Noīriet aizdedzes sveci. Pārbaudiet, vai aizdedzes sveces elektrodu atstarpe ir pareiza. Pārbaudiet, vai aizdedzes svece ir aprīkota ar slāpētāju.
	Aizdedzes svece ir vaļīga.	Informāciju par pareizu elektrodu atstarpi skatiet šeit: <i>Tehniskie dati lpp. 315</i> . Pievelciet aizdedzes sveci.

Dzinējs sāk darboties, taču tad apstājas

Kas jāpārbauda	Iespējamais iemesls	Procedūra
Degvielas tvertne	Nepareizs degvielas tips.	Iztukšojiet degvielas tvertni un uzpildiet ar pareizo degvielu.
Gaisa filtrs	Ir aizsprostots gaisa filtrs.	Iztīriet gaisa filtru.

Pārvadāšana un uzglabāšana

- Pirms izstrādājuma novietošanas glabāšanai vienmēr ļaujiet tam atdzist.
- Attiecībā uz izstrādājuma un degvielas glabāšanu un transportēšanu pārliecinieties, vai nav noplūdes vai tvaiku. Dzirksteles vai atklātas liesmas, ko rada, piemēram, elektroierīces vai tvaika katli, var izraisīt ugunsgrēku.
- Vienmēr izmantojiet apstiprinātas tvertnes degvielas glabāšanai un transportēšanai.
- Pirms transportēšanas vai ilgstošas uzglabāšanas iztukšojiet tvertni. Uzturējiet degvielu atbilstošā utilizēšanas vietā.
- Transportēšanas un glabāšanas laikā piestipriniet transportēšanas aizsargu.
- Noņemiet aizdedzes sveces uzgali no aizdedzes sveces.
- Transportēšanas laikā nostipriniet izstrādājumu. Pārliecinieties, ka tas nevar kustēties.
- Pirms ilgstošas glabāšanas noīriet izstrādājumu un saremontējiet to.

Tehniskie dati

Tehniskie dati

	122C	122LK
Dzinējs		
Cilindra darba tilpums, cm ³	21,7	21,7
Brīvgaitas apgriezienu skaits, apgr./min.	2900	2900
Ieteicamais maksimālais apgriezienu skaits, apgr./min.	7200	9100
Dzenamās vārpstas apgriezienu skaits, apgr./min	7200	6232
Jauda/maks. dzinēja jauda saskaņā ar ISO 8893, kW/zp (apgr./min)	0,6/0,8 @ 7800	0,6/0,8 @ 7800
Trokšņa slāpētājs ar katalītisko neitralizatoru	Jā	Jā
Aizdedzes sistēma ar apgr. skaita regulēšanu	Nē	Nē
Aizdedzes sistēma		
Aizdedzes svece	HQT-4 672201	HQT-4 672201
Atstarpe starp elektrodiem, mm	0,5	0,5
Degvielas sistēma		
Degvielas tvirtnes tilpums, l/cm ³	0,3/300	0,3/300
Svars		
Svars bez degvielas, griešanas aprīkojuma un aizsarga, kg	4,4	4,8
Trokšņa emisija ⁴⁶		
Skaņas intensitātes līmenis, izmērītais, dB (A)	102	104
Skaņas intensitātes līmenis, garantētais (L _{WA} dB(A))	104	108
Trokšņu līmeņi ⁴⁷		
Ekvivalents skaņas spiediena līmenis pie operatora auss, mērīts atbilstoši standartam EN/ISO 11806 un ISO 22868 (dB(A))	88	90
Vibrācijas līmeņi ⁴⁸		
Līdzvērtīgs vibrācijas līmenis (a _{hv, eq}), uzstādīta trimera galva, kreisās puses rokturis, m/s ²	5,0	3,6
Līdzvērtīgs vibrācijas līmenis (a _{hv, eq}), uzstādīta trimera galva, labās puses rokturis, m/s ²	3,6	3,5

⁴⁶ Atbilstoši EK direktīvai 2000/14/EK trokšņa emisija apkārtņē ir mērīta kā skaņas jauda (L_{WA}). Novērotais izstrādājuma skaņas jaudas līmenis ir izmērīts ar pievienotu oriģinālo griešanas ierīci, kas rada augstāko līmeni. Atšķirība starp garantēto un izmērīto skaņas jaudas līmeni ir tāda, ka garantētā skaņas intensitātes līmeņa mērījumu rezultāts ietver arī izkliedi mērījuma rezultātā un atšķirības dažādiem tā paša modeļa izstrādājumiem atbilstoši Direktīvai 2000/14/EK.

⁴⁷ Sniegtajos datos par ekvivalenta skaņas spiediena līmeni ierīcei ir tipiska statistiskā 1 dB (A) izkliede (standartnovirze).

⁴⁸ Sniegtajos datos par ekvivalentu vibrācijas līmeni ir tipiska 1 m/s² statistiskā izkliede (standarta novirze).

Piederumi

Piederumi

122C		
Apstiprinātie piederumi	Tips	Pļaušanas ierīces aizsargs
Vārpsta ar vītņi	3/8 R	–
Trimera galva	T25 (auklas Ø: 2,0–2,4 mm)	574 47 95-01
	T25C (auklas Ø: 2,0–2,7 mm)	
	R25 (auklas Ø 2,0–2,4 mm)	
122LK		
Apstiprinātie piederumi	Tips	Pļaušanas ierīces aizsargs
Vārpsta ar vītņi	M10	–
Trimera galva	T25 (auklas Ø 2,0–2,4 mm)	574 19 87-01
	R25 (auklas Ø 2,0–2,4 mm)	

Tālāk uzskaitītajiem modeļiem ir ieteicami šādi piederumi.

Apstiprinātie piederumi	Tips	Izmanto norādītajiem modeļiem
Tīrās slaucīšanas piederums	SR600-2	122LK
Dzīvžogu griešanas piederums	HA200	122LK
Dzīvžogu griešanas piederums	HA860	122LK
Griešanas piederums	ECA850, ESA860	122LK
Zāģa piederums	PA1100	122LK
Pagarinājuma piederums	EX780	122LK
Kultivatora piederums	CA230	122LK
Pūtēja agregāts	BA101	122LK
Saru sukas piederums	BR600	122LK
Skarificēšanas piederums	DT600	122LK

Atbilstības deklarācija

ES atbilstības deklarācija

Mēs, Husqvarna AB, SE-561 82 Huskvarna, Zviedrija,
tālr. +46-36-146500, ar pilnu atbildību apliecinām, ka šis
izstrādājums:

Apraksts	Benzīna zāles trimēris/krūmgriezis
Zīmols	Husqvarna
Tips/modelis	122C, 122LK
Identifikācija	Sērijas numurs no 2022. gada un vēlāk

pilnībā atbilst šādām ES direktīvām un noteikumiem:

Noteikums	Apraksts
2006/42/EK	par mašīnām
2014/30/ES	par elektromagnētisko savietojamību
2000/14/EK	par trokšņa emisiju vidē
2011/65/ES	"noteiktu bīstamu vielu lietošanas ierobežojums"

Tiek piemēroti tālāk norādītie standarti.

EN ISO 12100:2010, EN ISO 11806-1:2011, ISO
14982:1998, CISPR 12:2007+A1:2009, EN IEC
63000:2018

RISE SMP Svensk Maskinprovning AB., Box 7035,
SE-750 07 Uppsala, Sweden, ir veicis brīvprātīgu tipa
pārbaudi Husqvarna AB vārdā.

Sertifikātiem ir šādi numuri: 122C - SEC/10/2271, 122LK
- SEC/10/2272

RISE SMP Svensk Maskinprovning AB, ir arī
pārbaudījis atbilstību Padomes Direktīvas 2000/14/EK
V pielikumam.

Sertifikātiem ir šādi numuri: 122C - 01/164/068, 122LK -
01/164/067.

Husqvarna 2022-05-13



Claes Losdal, R&D Manager, Husqvarna AB

Atbildīgais par tehnisko dokumentāciju



Inhoud

Inleiding.....	318	Probleemoplossing.....	333
Veiligheid.....	320	Transport en opslag.....	333
Montage.....	325	Technische gegevens.....	334
Werking.....	326	Accessoires.....	335
Onderhoud.....	330	Verklaring van overeenstemming.....	337

Inleiding

Productbeschrijving

Het product is een grastrimmer met een verbrandingsmotor.

Er wordt voortdurend gewerkt aan het verhogen van uw veiligheid en efficiëntie tijdens bedrijf. Neem voor meer informatie contact op met uw dealer.

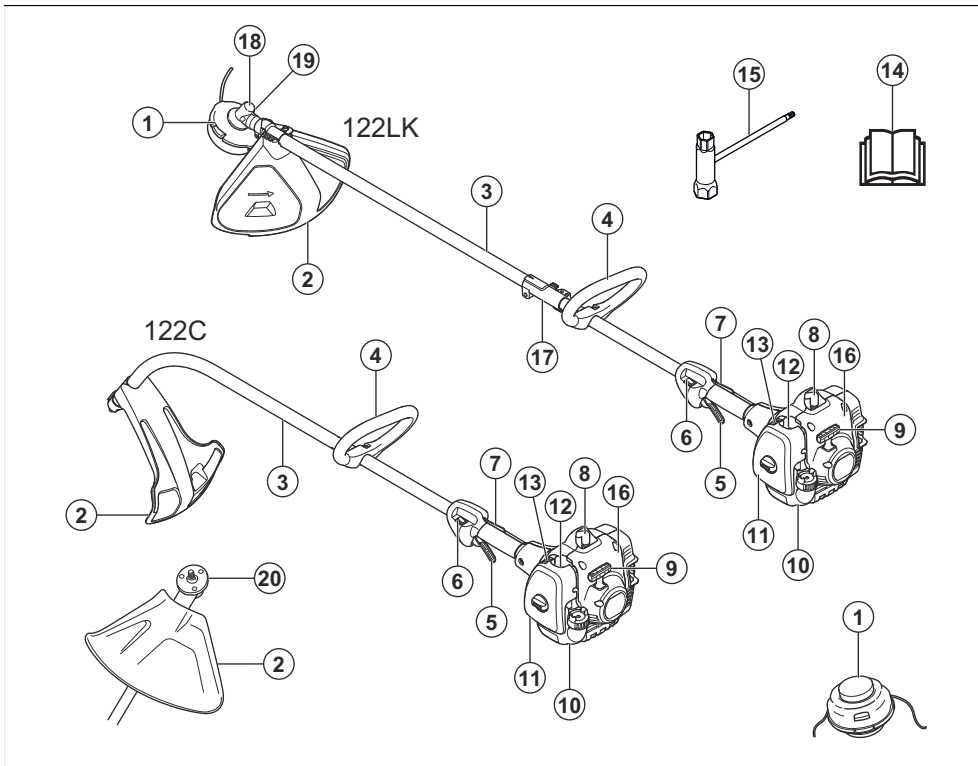
niet voor andere werkzaamheden dan het trimmen en maaien van gras.

Let op: Nationale wetgeving kan het gebruik van dit product mogelijk beperken.

Gebruik

Het product wordt gebruikt in combinatie met een trimmerkop om gras te maaien. Gebruik het product

Productoverzicht



1. Trimmerkop
2. Beschermkap voor snijuitrusting
3. As
4. Lusgreep
5. Gashendel
6. Stopschakelaar
7. Gashendelvergendeling
8. Bougiekap en bougie
9. Starthendel
10. Brandstoftank
11. Luchtfilterdeksel
12. Primerbalg van brandstofpomp
13. Chokehendel
14. Gebruiksaanwijzing
15. Ring-steeksleutel
16. Starterhuis
17. Steelkoppeling
18. Hoekoverbrenging
19. Bijvulopening smeermiddel, hoekoverbrenging
20. Meenemer

Symbolen op het product



WAARSCHUWING! Dit product is gevaarlijk. Onzorgvuldig of onjuist gebruik van het product kan leiden tot letsel of de dood van de gebruiker of omstanders. Lees en volg alle veiligheidsinstructies in de bedieningshandleiding om letsel bij de gebruiker of omstanders te voorkomen.



Lees de bedieningshandleiding zorgvuldig door en zorg dat u de instructies hebt begrepen voordat u het product gebruikt.



Gebruik een veiligheidshelm op locaties waar objecten op u kunnen vallen. Gebruik goedgekeurde gehoorbescherming. Gebruik goedgekeurde oogbescherming.



Maximum toerental van de uitgaande as.



Het product voldoet aan de geldende EG-richtlijnen.



Het gebruik van het product kan tot rondvliegende voorwerpen leiden, waardoor letsel kan ontstaan.



Houd personen en dieren op een minimale afstand van 15 m tijdens het gebruik van dit product.



Draag goedgekeurde veiligheidshandschoenen.



Gebruik antisliplaarzen voor zwaar gebruik.



Gebruik alleen flexibel snijdraad. Gebruik geen metalen snijuitrustingen.



Geluidsemisatie naar het omgevingslabel volgens de richtlijnen en voorschriften van de EU en het VK en de wetgeving van Nieuw-Zuid-Wales "Protection of the Environment Operations (Noise Control) Regulation 2017". Het gegarandeerde geluidsvermogensniveau van het product staat vermeld in *Technische gegevens op pagina 334* en op het label.



Primerbalg van brandstofpomp.



Choke.



Dit product voldoet aan de geldende VK-regelgeving.

yyyywwxxxx

Het serienummer staat op het productplaatje. **yyyy** is het productiejaar, **ww** is de productieweek.

Let op: Andere symbolen/stickers op het product hebben betrekking op certificeringseisen voor overige commerciële markten.

Euro V-emissies



WAARSCHUWING: De EU-typegoedkeuring van dit product vervalt als ongeoorloofde wijzigingen aan de motor aangebracht worden.

Klantenservice

Neem voor klantenservice contact op via:
1-800-487-5951 of ga naar www.husqvarna.com.

Productaansprakelijkheid

Zoals uiteengezet in de wet voor productaansprakelijkheid zijn wij niet aansprakelijk voor schade die door ons product wordt veroorzaakt, indien:

- het product niet goed is gerepareerd.
- het product is gerepareerd met onderdelen die niet van de fabrikant afkomstig zijn, of onderdelen die niet zijn goedgekeurd door de fabrikant.
- het product een accessoire bevat dat niet afkomstig is van de fabrikant of niet is goedgekeurd door de fabrikant.
- het product niet is gerepareerd door een erkend servicepunt of door een erkende autoriteit.

Veiligheid

Veiligheidsdefinities

Waarschuwingen, voorzorgsmaatregelen en opmerkingen worden gebruikt om te wijzen op belangrijke delen van de handleiding.



WAARSCHUWING: Wordt gebruikt om te wijzen op de kans op ernstig of fataal letsel voor de gebruiker of omstanders wanneer de instructies in de handleiding niet worden gevolgd.



OPGELET: Wordt gebruikt indien er een risico bestaat op schade aan het product en andere eigendommen of aan de omgeving wanneer de instructies in de handleiding niet worden gevolgd.

Let op: Geven verdere informatie die nodig is in een bepaalde situatie.

Algemene veiligheidsinstructies



WAARSCHUWING: Lees de volgende waarschuwingen voordat u het product gaat gebruiken.

- Gebruik het product op de juiste manier. Onjuist gebruik leidt mogelijk tot letsel of de dood. Gebruik het product uitsluitend voor de taken die in deze handleiding worden genoemd. Gebruik het product niet voor andere taken.
- Volg de instructies in deze handleiding op. Volg de veiligheidssymbolen en veiligheidsinstructies op. Het niet in acht nemen van de instructies en de symbolen kan leiden tot letsel, schade of de dood.
- Gooi deze handleiding niet weg. Gebruik de instructies voor het monteren, gebruiken en onderhouden van uw product. Gebruik de instructies voor een correcte installatie van opzetstukken en accessoires. Gebruik alleen goedgekeurde opzetstukken en accessoires.
- Gebruik nooit een beschadigd product. Neem het onderhoudsschema in acht. Voer alleen onderhoudswerkzaamheden uit waarvoor u in deze handleiding een instructie aantreft. Alle overige onderhoudswerkzaamheden moeten door een erkend servicepunt worden uitgevoerd.
- Deze handleiding kan niet alle situaties beschrijven die zich voor kunnen doen wanneer u dit product gebruikt. Wees voorzichtig en gebruik uw gezond verstand. Gebruik het product niet en voer geen onderhoudswerkzaamheden aan het product uit als u niet zeker bent van de situatie. Neem voor meer informatie contact op met een productexpert, uw dealer, servicewerkplaats of erkende servicepunt.
- Koppel de bougiekabel los voordat u het product monteert, het product opslaat of onderhoudswerkzaamheden uitvoert.
- Gebruik het product niet als de oorspronkelijke specificatie is gewijzigd. Vervang geen onderdelen van het product zonder toestemming van de fabrikant. Gebruik alleen door de fabrikant goedgekeurde onderdelen. Onjuist onderhoud kan leiden tot letsel of de dood.
- Adem geen dampen in van de motor. Langdurig inademen van de uitlaatgassen van de motor kan een gevaar voor de gezondheid opleveren.
- Start het product niet in gesloten ruimtes of in de buurt van licht ontvlambaar materiaal. De uitlaatgassen zijn heet en kunnen vonken veroorzaken die tot brand kunnen leiden. Onvoldoende ventilatie kan leiden tot ernstig letsel of de dood door verstikking of het inademen van koolmonoxide.
- Wanneer u dit product gebruikt, genereert de motor een elektromagnetisch veld. Het elektromagnetische veld kan schade veroorzaken aan medische implantaten. Raadpleeg uw arts en de fabrikant van het medische implantaat voordat u het product gebruikt.
- Laat het product niet door een kind bedienen. Laat de machine niet bedienen door personen die de instructies niet hebben gelezen.
- Zorg ervoor dat u personen met een lichamelijke of geestelijke beperking die het product gebruiken, altijd in de gaten houdt. Er moet te allen tijde een verantwoordelijke volwassene aanwezig zijn.
- Berg het product op in een afgesloten ruimte die niet toegankelijk is voor kinderen of onbevoegde personen.

- Het product kan objecten uitwerpen en letsel veroorzaken. Neem de veiligheidsinstructies in acht om het risico op letsel of de dood te verlagen.
- Blijf in de buurt van het product wanneer de motor is ingeschakeld.
- De gebruiker van het product is verantwoordelijk indien zich een ongeval voordoet.
- Zorg dat er geen onderdelen beschadigd zijn, voordat u het product gebruikt.
- Zorg ervoor dat u minimaal 15 m (50 ft) van andere personen en dieren verwijderd bent, voordat u het product gaat gebruiken. Zorg ervoor dat personen in het aangrenzende gebied weten dat u het product gaat gebruiken.
- Neem nationale en lokale wetgeving in acht. Deze kan het gebruik van het product in sommige situaties beperken of verbieden.
- Gebruik het product niet als u moe bent, of onder invloed van alcohol, drugs of medicijnen verkeert. Ze kunnen een negatief effect hebben op uw zicht, alertheid, coördinatie of oordeel.

Veiligheidsinstructies voor montage



WAARSCHUWING: Lees de volgende waarschuwingen voordat u het product gaat gebruiken.

- Verwijder de bougiekabel van de bougie voordat u het product monteert.
- Draag goedgekeurde veiligheidshandschoenen.
- Zorg ervoor dat u het deksel en de as goed monteert, voordat u de motor start.

Veiligheidsinstructies voor bediening

- Zorg ervoor dat het product volledig is gemonteerd voordat u het gaat gebruiken.
- Verplaats het product minstens 3 m (10 ft) van de plaats waar u de brandstoftank hebt gevuld, voordat u het product start. Plaats het product op een vlakke ondergrond. Zorg ervoor dat de snijuitrusting niet in aanraking komt met de grond of andere objecten.
- Het gebruik van het apparaat kan tot rondvliegende voorwerpen leiden, waardoor oogletsel kan ontstaan. Gebruik altijd goedgekeurde oogbescherming wanneer u het product gebruikt.
- Let op: Tijdens het gebruik kan een kind zonder uw medeweten dicht bij het product komen.
- Gebruik dit product niet als zich personen in het werkgebied bevinden. Schakel het product uit wanneer een persoon het werkgebied betreedt.
- Zorg dat u het product altijd onder controle hebt.
- Gebruik het product niet als u geen hulp kunt krijgen indien zich een ongeval voordoet. Zorg er altijd voor dat anderen weten dat u het product gaat gebruiken voordat u het product start.

- Draai niet met het product voordat u zeker weet dat er zich geen personen of dieren in de veiligheidszone bevinden.
- Verwijder alle ongewenste materialen uit het werkgebied voordat u begint. Als de snijuitrusting een object raakt, dan kan dit object worden uitgeworpen en letsel of schade veroorzaken. Ongewenst materiaal kan zich rond de snijuitrusting wikkelen en schade veroorzaken.
- Gebruik het product niet bij slecht weer (mist, regen, sterke wind, gevaar van blikseminslag of andere weersomstandigheden.). Slecht weer kan leiden tot gevaarlijke omstandigheden (zoals gladde oppervlakken).
- Zorg dat u vrij kunt bewegen en in een stabiele houding kunt werken.



- Zorg dat u niet kunt vallen wanneer u het product gebruikt. Buig u niet voorover of achterover wanneer u het product bedient.
- Houd het product altijd met twee handen vast. Houd het apparaat rechts van uw lichaam.



- Bedien het product zodanig dat de snijuitrusting zich onder uw middel bevindt.
- Als de chokehendel in de chokestand staat wanneer de motor wordt ingeschakeld, dan begint de snijuitrusting te draaien.
- Raak de hoekoverbrenging niet aan nadat de motor is uitgeschakeld. De hoekoverbrenging is heet nadat de motor is uitgeschakeld. Hete oppervlakken kunnen letsel veroorzaken.
- Schakel de motor uit voordat u het product verplaatst.
- Zet het product niet neer terwijl de motor is ingeschakeld.
- Schakel de motor uit en wacht totdat de snijuitrusting is gestopt voordat u ongewenst materiaal van

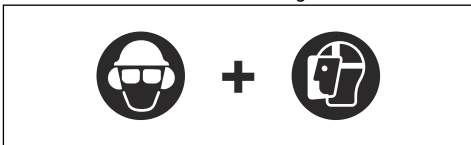
het product verwijderd. Laat de snijuitrusting eerst stoppen voordat u (al dan niet met een hulpmiddel) het maaisel verwijderd.

Persoonlijke beschermingsuitrusting



WAARSCHUWING: Lees de volgende waarschuwingen voordat u het product gaat gebruiken.

- Draag tijdens het gebruik van het product altijd goedgekeurde persoonlijke beschermingsuitrusting. Persoonlijke beschermingsuitrusting kunnen niet alle risico's uitsluiten maar kunnen de ernst van eventueel letsel helpen beperken. Vraag uw dealer u te helpen bij het kiezen van de juiste beschermingsmiddelen.
- Gebruik een veiligheidshelm bij kans op vallende voorwerpen.
- Gebruik goedgekeurde gehoorbescherming met voldoende dempvermogen. Langdurige blootstelling aan lawaai kan leiden tot permanente gehoorbeschadiging.
- Gebruik goedgekeurde oogbescherming. Als u een vizier gebruikt, moet u ook een goedgekeurde veiligheidsbril gebruiken. Een goedgekeurde veiligheidsbril moet voldoen aan de norm ANSI Z87.1 voor de VS of EN 166 voor de EU-landen.
- Gebruik een vizier voor gezichtsbescherming. Een vizier is niet voldoende om de ogen te beschermen.



- Draag zo nodig handschoenen, bijvoorbeeld bij het monteren, inspecteren of reinigen van de snijuitrusting.
- Gebruik stevige antislipplaaizen.
- Gebruik kleding van stevige stof. Gebruik altijd een zware lange broek en lange mouwen. Gebruik geen loszittende kleding die gemakkelijk kan blijven haken aan takjes en struikgewas. Draag geen sieraden, korte broek of sandalen of loop niet op blote voeten. Bind voor de veiligheid lang haar samen tot boven schouderhoogte.



- Houd een EHBO-does binnen handbereik.



Veiligheidsvoorzieningen op het product

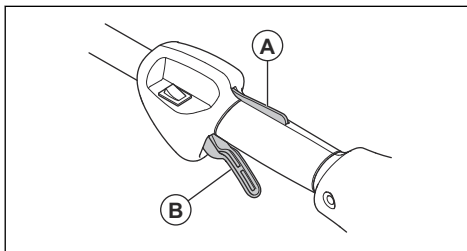


WAARSCHUWING: Lees de volgende waarschuwingen voordat u het product gaat gebruiken.

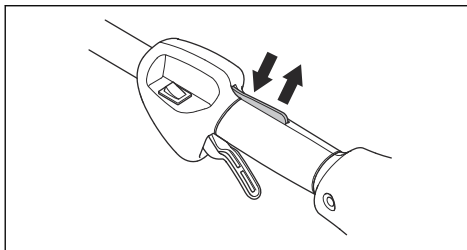
- Gebruik het product nooit wanneer de veiligheidsvoorzieningen defect zijn.
- Controleer de veiligheidsvoorzieningen regelmatig op een juiste werking. Zie *Onderhoudsschema op pagina 330*.
- Als de veiligheidsvoorzieningen defect zijn, neem dan contact op met uw Husqvarna servicedealer.

Gashendelvergrendeling controleren

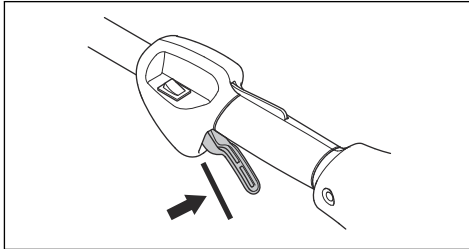
1. Controleer of gashendelvergrendeling (A) en de gashendel (B) vrij bewegen en of de retourveer correct werkt.



2. Duw de gashendelvergrendeling omlaag en controleer of deze terugkeert naar de oorspronkelijke stand wanneer u hem loslaat.



- Controleer of de gashendel vergrendeld is in de stationaire stand wanneer de gashendelvergrendeling wordt losgelaten.



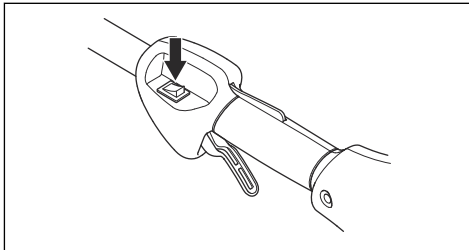
- Start het product en laat het op vol vermogen werken.
- Laat de gashendel los en controleer of de bladen stoppen en blijven stilstaan.



WAARSCHUWING: Als de messen bewegen wanneer de gashendel in de stationaire stand staat, moet het stationair toerental van de carburateur worden afgesteld. Zie *Stationair toerental afstellen op pagina 331*.

Stopschakelaar controleren

- Start de motor.
- Zet de stopschakelaar in de stopstand en zorg ervoor dat de motor stopt.

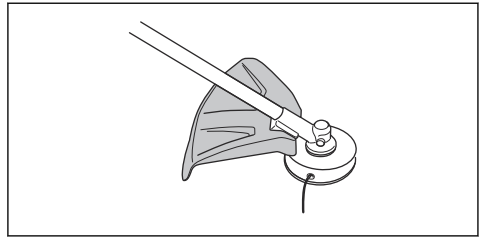


Beschermkap van de snijuitrusting controleren

De beschermkap van de snijuitrusting houdt objecten tegen die in de richting van de gebruiker kunnen vliegen. Hij voorkomt ook letsel dat veroorzaakt wordt als u met de snijuitrusting in contact komt.

- Stop de motor.

- Voer een visuele controle uit op beschadigingen, bijvoorbeeld scheuren.



- Vervang de beschermkap van de snijuitrusting als deze is beschadigd.

Geluiddemper

- Gebruik geen motor met een beschadigde geluiddemper. Een beschadigde geluiddemper laat het geluidsniveau stijgen en vergroot het risico van brand. Zorg dat er een brandblusser in de buurt is.
- Controleer regelmatig of de geluiddemper aan het product is bevestigd.
- Raak de motor en de geluiddemper niet aan terwijl de motor is ingeschakeld. Raak de motor en de geluiddemper een tijdje niet aan nadat de motor is uitgeschakeld. Hete oppervlakken kunnen letsel veroorzaken.
- Een hete geluiddemper kan brand veroorzaken. Let op als u het product in de buurt van ontvlambare vloeistoffen of dampen gebruikt.
- Raak geen onderdelen van de geluiddemper aan als de geluiddemper beschadigd is. De onderdelen kunnen kankerverwekkende chemicaliën bevatten.

Snijuitrusting



WAARSCHUWING: Lees de volgende waarschuwingen voordat u het product gaat gebruiken.

- Voer regelmatig onderhoud uit. Laat de snijuitrusting regelmatig door een erkend servicepunt controleren, zodat er aanpassingen en reparaties uitgevoerd kunnen worden.
 - Dit leidt tot betere prestaties van de snijuitrusting.
 - De levensduur van de snijuitrusting neemt toe.
 - Het risico van ongevallen neemt af.
- Gebruik uitsluitend een goedgekeurde beschermkap voor de snijuitrusting. Zie *Accessoires op pagina 335*.
- Gebruik nooit beschadigde snijuitrusting.

Brandstofveiligheid



WAARSCHUWING: Lees de volgende waarschuwingen voordat u het product gaat gebruiken.

- Meng de brandstof niet binnenshuis of in de buurt van een warmtebron.
- Start het product niet als er brandstof of motorolie op het product aanwezig is. Verwijder de ongewenste brandstof/olie en laat het product drogen. Verwijder ongewenste brandstof van het product.
- Als u brandstof op uw kleding morst, trek dan direct andere kleding aan.
- Zorg dat er geen brandstof op uw lichaam terecht komt, dit kan letsel veroorzaken. Als er brandstof op uw lichaam terecht komt, verwijder deze dan met water en zeep.
- Start de motor niet als u brandstof op het product of op uw lichaam hebt gemorst.
- Start het product niet als er sprake is van een motorlekkage. Controleer de motor regelmatig op lekkage.
- Wees voorzichtig met brandstof. Brandstof is licht ontvlambaar en de dampen zijn explosief. Ze kunnen letsel veroorzaken of leiden tot de dood.
- Adem geen brandstofdampen in, dit kan letsel veroorzaken. Zorg voor voldoende ventilatie.
- Rook niet in de buurt van de brandstof of de motor.
- Plaats geen warme voorwerpen in de buurt van de brandstof of de motor.
- Vul geen brandstof bij terwijl de motor is ingeschakeld.
- Zorg ervoor dat de motor koud is wanneer u brandstof bijvult.
- Draai de tankdop langzaam open en laat de druk voorzichtig ontsnappen voordat u brandstof bijvult.
- Zorg voor voldoende ventilatie bij het vullen met en mengen van brandstof (benzine en tweetaktolie) of het aftappen van de brandstoftank.
- Brandstof en brandstofdampen zijn zeer brandgevaarlijk en kunnen leiden tot ernstig letsel bij inademing en contact met de huid. Wees daarom voorzichtig wanneer u met brandstof werkt en zorg voor voldoende ventilatie bij de brandstofhantering.
- Draai de tankdop goed vast, zodat er geen brand kan ontstaan.
- Verplaats het product minstens 3 m (10 ft) van de plaats waar u de brandstoftank hebt gevuld, voordat u het product start.
- Doe niet te veel brandstof in de brandstoftank.
- Zorg dat er geen brandstof wordt gemorst wanneer u het product of de jerrycan met brandstof verplaatst.
- Plaats het product of de jerrycan met brandstof niet op een plaats waar deze wordt blootgesteld aan open vuur, vonken of waakvlammen. Zorg dat er geen open vuur aanwezig is in de opslagruimte.
- Gebruik alleen goedgekeurde jerrycans voor het verplaatsen of opslaan van brandstof.

- Leeg de brandstoftank voordat het product gedurende lange tijd wordt opgeslagen. Neem lokale wetgeving in acht voor het afvoeren van brandstof.
- Reinig het product voordat het gedurende lange tijd wordt opgeslagen.
- Verwijder de bougiekap voordat het product wordt opgeslagen, zodat de motor niet onbedoeld kan starten.

Veiligheidsinstructies voor onderhoud



WAARSCHUWING: Lees de volgende waarschuwingen voordat u het product gaat gebruiken.

- Stop de motor, zorg ervoor dat de snijuitrusting stopt en laat het product afkoelen voordat u onderhoud uitvoert.
- Koppel de bougiekap los voordat u onderhoud uitvoert.
- Uitlaatgassen van de motor bevatten koolmonoxide, een geurloos, giftig en uiterst gevaarlijk gas, dat de dood kan veroorzaken. Laat het product nooit binnenshuis of in gesloten ruimten draaien.
- De uitlaatdampen van de motor zijn heet en kunnen vonken bevatten. Laat het product niet draaien in gesloten ruimtes of in de buurt van licht ontvlambaar materiaal.
- Accessoires en wijzigingen aan het product die niet zijn goedgekeurd door de fabrikant, kunnen leiden tot ernstig letsel of overlijden. Breng geen wijzigingen aan het product aan. Gebruik altijd originele accessoires.
- Als het onderhoud niet correct en regelmatig wordt uitgevoerd, bestaat een verhoogde kans op letsel of schade aan het product.
- Voer alleen onderhoud uit zoals aanbevolen in deze bedieningshandleiding. Laat een goedgekeurde Husqvarna-servicewerkplaats alle andere onderhoudswerkzaamheden uitvoeren.
- Laat een erkende Husqvarna servicewerkplaats regelmatig onderhoud aan het product uitvoeren.
- Vervang beschadigde, versleten of defecte onderdelen.
- Zie de instructies voor de snijuitrusting voor de juiste procedure voor het monteren van de trimmerdraad en de juiste draaddiameter.
- Houd de snijtanden van het blad juist geslepen. Volg onze aanbevelingen op. Zie ook de instructies op de verpakking van de snijbladen.

Montage

Inleiding



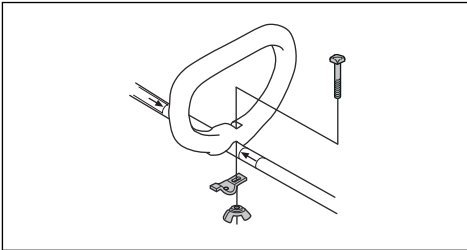
WAARSCHUWING: Voordat u het product gaat monteren, dient u het hoofdstuk over veiligheid te lezen en hebben begrepen.



WAARSCHUWING: Verwijder de bougiekabel van de bougie voordat u het product monteert.

Lusgreep bevestigen

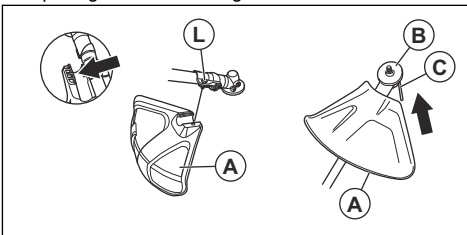
1. Bevestig de lusgreep op de steel zoals afgebeeld en zet de lusgreep vast.



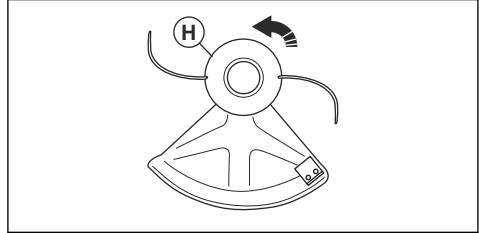
2. Zorg ervoor dat de lusgreep tussen de pijlen op de as wordt bevestigd.

Beschermkap van snijuitrusting en trimmerkop (rechte steel) bevestigen

1. Bevestig de beschermkap van de snijuitrusting (A) met de bout (L) aan de steel.
2. Bevestig de meenemer (B) op de uitgaande as.
3. Draai aan de uitgaande as totdat het gat in de meenemer op één lijn ligt met de opening in het tandwielhuis.
4. Plaats een kleine schroevendraaier (C) in de opening om de as te vergrendelen.

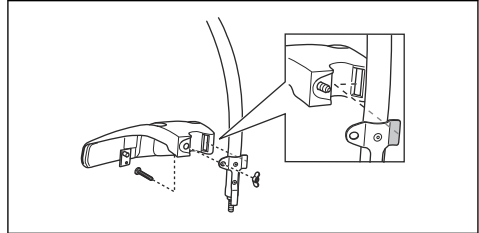


5. Draai de trimmerkop (H) linksom om de trimmerkop op het tandwielhuis te bevestigen. (Linkse schroefdraad.)

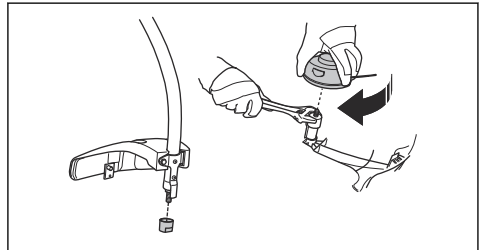


Beschermkap van snijuitrusting en trimmerkop bevestigen (gebogen steel)

1. Bevestig de beschermkap. Draai de moer vast.



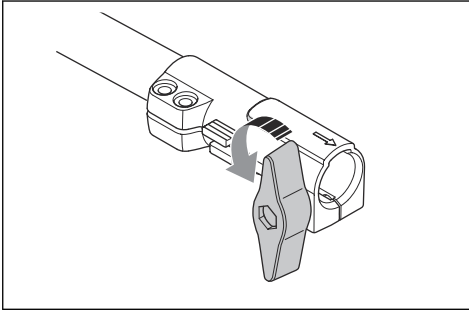
2. Bevestig de stofkap op de as.



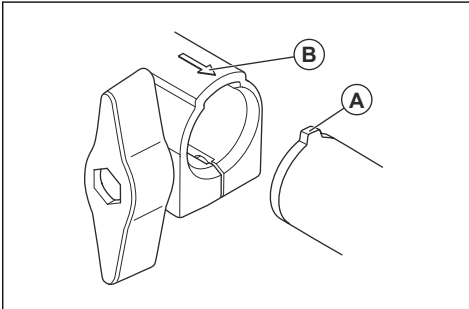
3. Houd de stofkap vast met een verstelbare sleutel, zodat de steel niet kan draaien.
4. Bevestig de trimmerkop op de steel. Draai de trimmerkop rechtsom.

Deelbare steel monteren

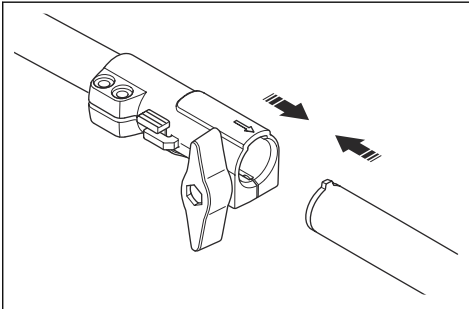
1. Draai aan de knop om de koppeling los te maken.



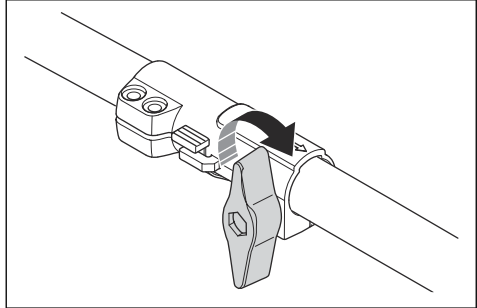
2. Lijn de nok (A) uit met de pijl (B) op de koppeling.



3. Druk de steel in de koppeling tot deze vastklikt.

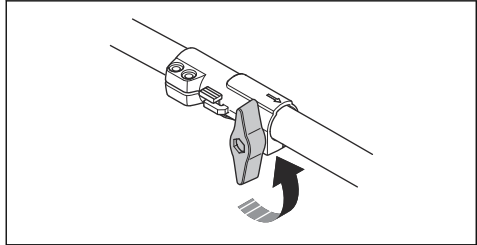


4. Draai de knop volledig vast.

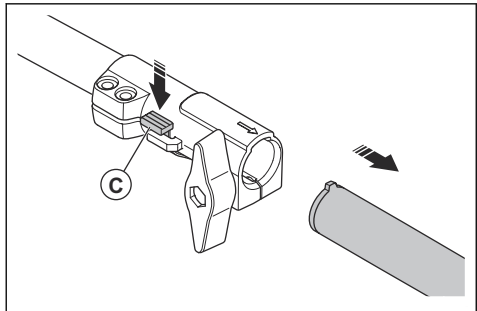


Deelbare steel demonteren

1. Draai de knop 3 slagen of meer om de koppeling los te maken.



2. Druk de knop (C) in en houd deze ingedrukt.
3. Houd deze stevig vast aan het uiteinde van de steel waarop de motor is bevestigd.
4. Trek het hulpstuk in een rechte lijn uit de koppeling.



Werking

Inleiding



WAARSCHUWING: Voordat u het product gaat gebruiken, dient u het hoofdstuk over veiligheid te lezen en hebben begrepen.

Brandstof

Dit product is uitgerust met een tweetaktmotor.



OPGELET: Een verkeerde soort brandstof kan leiden tot motorschade. Gebruik een mengsel van benzine en tweetaktolie.

Voorgemengde brandstof

- Gebruik voorgemengde Husqvarna-alkylaatbrandstof voor optimale prestaties en een lange levensduur van de motor. Deze brandstof bevat minder schadelijke stoffen dan reguliere brandstof waardoor de uitstoot van schadelijke uitlaatgassen wordt beperkt. Bij gebruik van deze brandstof blijven er minder verbrandingsresten in de motor achter waardoor de onderdelen van de motor schoner blijven.

Brandstof mengen

Benzine

- Gebruik hoogwaardige loodvrije benzine met maximaal 10% ethanol (E10).



OPGELET: Gebruik geen benzine met een octaangetal lager dan 90 RON/87 AKI. Een lager octaangetal kan leiden tot pingelen van de motor wat tot motorschade kan leiden.

Tweetaktolie

- Gebruik voor de beste resultaten en optimale prestaties Husqvarna tweetaktolie.
- Als geen Husqvarna tweetaktolie beschikbaar is, gebruik dan een andere hoogwaardige tweetaktolie voor luchtgekoelde motoren. Bespreek de keuze van de tweetaktolie met uw servicedealer.



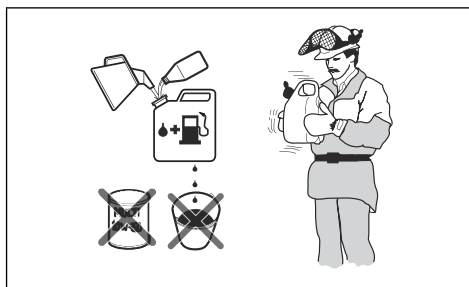
OPGELET: Gebruik geen tweetaktolie die bedoeld is voor watergekoelde buitenboordmotoren, zogenaamde outboardoil. Gebruik geen olie die is bedoeld voor viertaktmotoren.

Benzine en tweetaktolie mengen

Benzine, liter	Tweetaktolie, liter
	2% (50:1)
5	0,10
10	0,20
15	0,30
20	0,40



OPGELET: Wanneer u kleine hoeveelheden brandstof mengt, kunnen kleine fouten grote gevolgen hebben voor de mengverhouding. Meet de hoeveelheid olie nauwkeurig af om het juiste mengsel te verkrijgen.



1. Giet de helft van de benzine in een schone brandstofbestendige houder.
2. Voeg de volledige hoeveelheid olie toe.
3. Schud het brandstofmengsel.
4. Giet de resterende hoeveelheid benzine in de houder.
5. Schud het brandstofmengsel grondig.



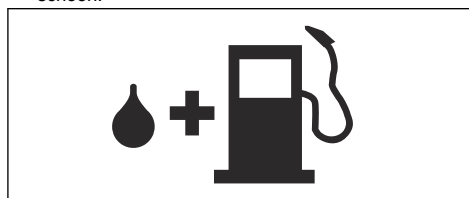
OPGELET: Meng maximaal de hoeveelheid brandstof die u nodig hebt voor 1 maand.

Brandstoftank vullen



WAARSCHUWING: Houd u voor uw eigen veiligheid aan de volgende procedure.

1. Stop de motor en laat de motor afkoelen.
2. Maak het gebied rondom de brandstoftankdop goed schoon.



3. Schud de container en zorg ervoor dat de brandstof volledig is gemengd.
4. Draai de brandstoftankdop langzaam los om de druk te laten ontsnappen.
5. Vul de brandstoftank.



OPGELET: Zorg dat er niet te veel brandstof in de brandstoftank zit. De brandstof zet uit wanneer deze heet wordt.

6. Draai de tankdop volledig vast.
7. Verwijder gemorste brandstof op en rond het product.

8. Verwijder het product altijd ten minste 3 m uit de buurt van de tankplaats en brandstofbron voordat u het product gaat starten.

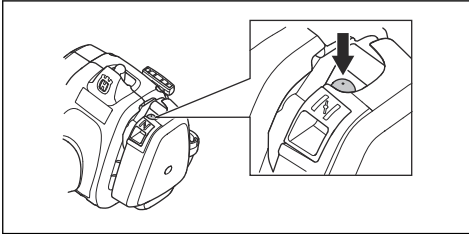
Let op: Zie *Productoverzicht op pagina 318* om te zien waar de brandstoftank op uw product is.

Controleren vóór het starten

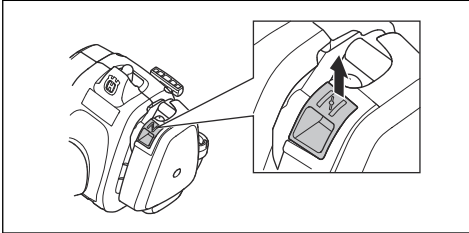
- 1.
2. Controleer of moeren en schroeven goed vastgedraaid zijn
3. Verzekert u ervan dat het achterluik niet beschadigd is.
4. Zorg dat het luchtfilter schoon is.
5. Controleer of de veiligheidsvoorzieningen op het product in orde zijn.
- 6.

Koude motor starten

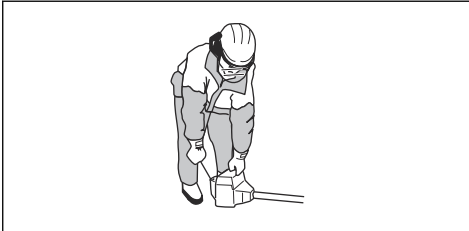
1. Druk de primerbalg van de brandstofpomp langzaam 10 maal in.



2. Zet de chokehendel in de chokestand.



3. Druk de behuizing van het apparaat met uw linkerhand op de grond.



OPGELET: Stap niet op het product.

4. Trek met uw rechterhand langzaam aan de greep van het startkoord totdat u weerstand voelt. Trek vervolgens snel en met kracht aan de startkoordhendel tot de motor start of probeert te starten.



WAARSCHUWING: Wikkel het startkoord niet rond uw hand.

5. Zet de chokehendel in de werkstand.
6. Als de motor start, duwt u zachtjes tegen de gashendel en laat u de motor 60 seconden draaien om warm te worden. Als de motor niet start, trekt u aan de startkoordhendel totdat de motor start. Duw vervolgens zachtjes tegen de gashendel en laat de motor 60 seconden draaien om warm te worden.



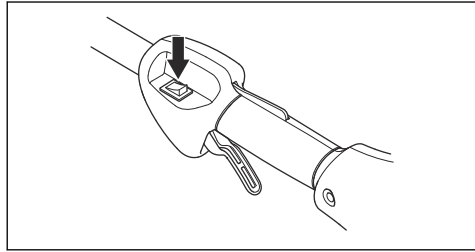
OPGELET: Trek het startkoord niet helemaal uit en laat de greep niet los. Dit kan schade aan het product veroorzaken. Laat het startkoord langzaam los.

Warme motor starten

1. Druk de primerbalg van de brandstofpomp langzaam 10 maal in.
2. Trek aan het startkoord totdat de motor start.

Product stoppen

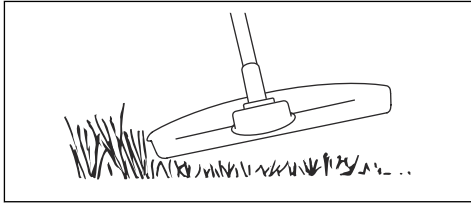
- Druk de stopschakelaar in om de motor te stoppen.



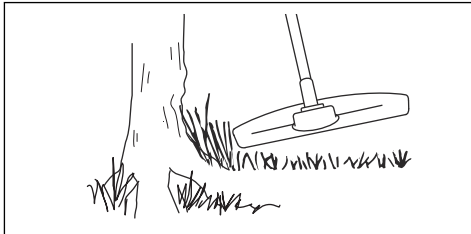
Let op: De stopschakelaar keert automatisch terug naar zijn oorspronkelijke stand.

Gras trimmen

1. Houd de trimmerkop vlak boven de grond en schuin. Druk de grastrimmerdraad niet in het gras.



2. Verkort de lengte van de trimmerdraad met 10-12 cm/4-4,75 inch.
3. Verlaag het motortoerental om het risico op schade aan planten te beperken.
4. Gebruik 80 % van het vermogen wanneer u in de buurt van objecten gras maait.

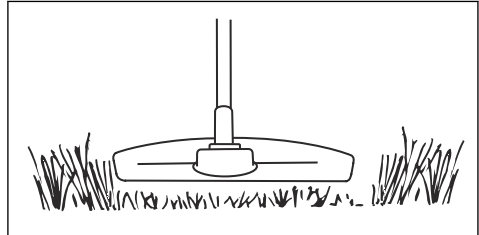


Gras maaien met een grasmaaiblad

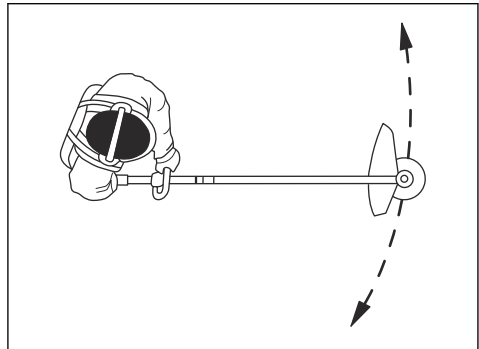
1. De grasmaaibladen en grasmessen mogen niet gebruikt worden bij houtachtige stammen.
2. Voor alle soorten hoog of sterk gras wordt een grasmaaiblad gebruikt.
3. Het gras wordt gemaaid met pendelende bewegingen naar de zijkanten, waarbij de beweging van rechts naar links het maaimoment is en de beweging van links naar rechts de retourbeweging. Laat de linker kant van het blad werken (tussen 8 en 12 uur).
4. Indien het blad tijdens het grasmaaien een ietsje schuin naar links wordt gehouden, wordt het gras in een streng gelegd, hetgeen het verzamelen makkelijker maakt bijv. bij harken.
5. Probeer om ritmisch te werken. Sta stevig met uw voeten uit elkaar. Beweeg na de retourbeweging naar voren en zorg dat u weer stevig staat.
6. Laat de steunkop licht op de grond rusten. Deze is speciaal bedoeld om te voorkomen dat het blad in de grond snijdt.
7. Verklein het risico dat het materiaal rond het blad wordt gewonden door altijd met volgas te werken en maaisel bij de retourbeweging te ontwijken.
8. Schakel de motor uit, maak het draagstel los en zet de machine op de grond voordat u het gemaaide materiaal verzamelt.

Gras maaien

1. Zorg dat de trimmerdraad parallel loopt aan de grond wanneer u gaat maaien.



2. Duw de trimmerkop niet op de grond. Dit kan schade aan het product veroorzaken.
3. Gebruik de maximale snelheid.



Gras vegen

De luchtstroom van de roterende trimmerdraad kan worden gebruikt om maaisel uit een gebied te verwijderen.

1. Houd de trimmerkop met de trimmerdraad parallel aan de grond en boven de grond.
2. Geef vol gas.
3. Beweeg de trimmerkop van de ene naar de andere kant en veeg het gras.



WAARSCHUWING: Reinig de kap van de trimmerkop altijd wanneer u een nieuwe trimmerdraad monteert, om onbalans en trillingen in de hendels te voorkomen. Controleer ook de andere onderdelen van de trimmerkop en reinig deze indien nodig.

Grastrimmerkop

- Zorg dat u de grastrimmerdraad strak en gelijkmatig om de trommel rolt om trillingen te verminderen.
- Gebruik alleen goedgekeurde grastrimmerkoppen en grastrimmerdraden. Zie *Accessoires op pagina 335*.

- Gebruik een grastrimmerdraad met de juiste lengte. Een lange grastrimmerdraad gebruikt meer motorvermogen dan een korte grastrimmerdraad.
- Zorg ervoor dat het mes op de beschermkap van de snijuitrusting niet beschadigd is.
- Laat de grastrimmerdraad 2 dagen in water weken voordat u deze op het product bevestigt.

Dit zorgt voor een langere levensduur van de grastrimmerdraad.

- Zie instructies voor snijuitrusting voor de juiste procedure voor invoeren van de draad en de keuze van de juiste draaddiameter.

Onderhoud

Inleiding

hoofdstuk over veiligheid te lezen en hebben begrepen.



WAARSCHUWING: Voordat u onderhoud gaat uitvoeren, dient u het

Voor alle onderhouds- en reparatiewerkzaamheden aan het product is speciale training nodig. Wij garanderen de beschikbaarheid van professionele reparaties en onderhoud. Indien uw dealer geen servicewerkplaats heeft, vraag hem dan naar de dichtstbijzijnde servicewerkplaats.

Onderhoudsschema

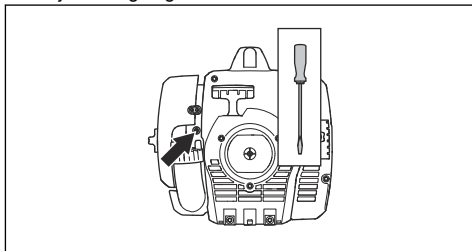
Onderhoud	Elke dag	Wekelijks	Maandelijks
Reinig het externe oppervlak.	X		
Maak het luchtfilter schoon. Vervang indien nodig.	X		
Controleer de werking van de gashendelvergrendeling en de gashendel.	X		
Controleer de stopschakelaar.	X		
Controleer de beschermkappen.	X		
Controleer de trimmerkop.	X		
Controleer de borgmoer.	X		
Controleer op brandstoflekage.	X		
Zorg ervoor dat het grasmaaiblad is uitgelijnd met het midden, dat het scherp is en dat het geen beschadigingen heeft aan het blad of de opening in het midden.	X		
Zorg ervoor dat de snijuitrusting niet draait op stationair toerental.	X		
Breng smeermiddel aan op de deelbare steel.		X	
Controleer de startkoordhendel en het startkoord zelf.		X	
Controleer de smering van de hoekoverbrenging.		X	
Reinig de externe oppervlakken van de bougie. Verwijder de bougie en meet de elektrodenafstand. Pas de elektrodenafstand aan of vervang de bougie.		X	
Reinig het koelsysteem.		X	
Reinig of vervang het vonkenscherm op de geluiddemper.		X	
Reinig het externe oppervlak van de carburateur en het gebied er omheen.		X	
Controleer het brandstoffilter op verontreiniging.			X
Controleer de brandstofslang op schade.			X

Onderhoud	Elke dag	Wekelijks	Maandelijks
Controleer alle kabels en aansluitingen.			X
Controleer de koppeling, de koppelingsveren en de koppelingstrommel op slijtage.			X
Vervang de bougie.			X

Stationair toerental afstellen

Zorg dat het luchtfilter schoon is en dat het luchtfilterdeksel is aangebracht voordat het stationaire toerental wordt afgesteld.

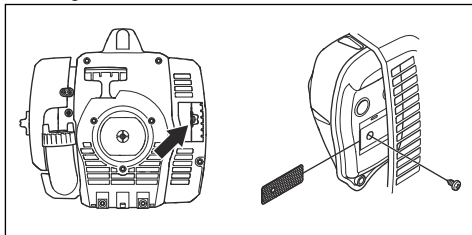
1. Draai de schroef T voor stationair draaien, die is gemarkeerd met een 'T', rechtsom totdat de snijuitrusting begint te draaien.



2. Draai de schroef T voor stationair draaien, die is gemarkeerd met een 'T', linksom totdat de snijuitrusting stopt.
3. Het stationaire toerental moet lager zijn dan het toerental waarbij de snijuitrusting begint te draaien. Het stationaire toerental is juist wanneer de motor in alle standen soepel draait.

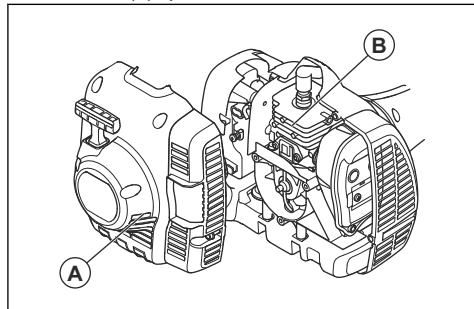
Onderhoud uitvoeren aan het vonkenscherm

- Gebruik een staalborstel om het vonkenscherm te reinigen.



Koelsysteem reinigen

- Reinig de luchtinlaat (A) op de starter en de koelribben (B) op de cilinder met een borstel.



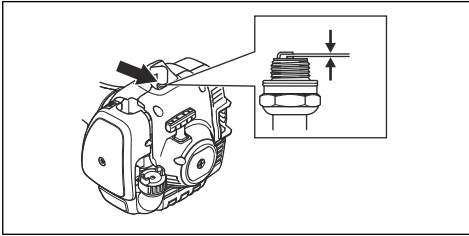
Bougie controleren



OPGELET: Gebruik de aanbevolen bougie. Zorg dat het vervangende onderdeel identiek is aan het onderdeel dat door de fabrikant wordt geleverd. Een onjuiste bougie kan leiden tot schade aan het product. Zorg ervoor dat de bougie is uitgerust met een onderdrukker. Neem voor meer informatie contact op met uw servicedealer.

1. Controleer de bougie als:
 - a) het motorvermogen laag is.
 - b) de motor niet soepel start.
 - c) de motor niet naar behoren werkt bij stationair toerental.
2. Als de motor niet soepel start of draait, controleer dan of er ongewenst materiaal op de bougie aanwezig is. Om het risico van ongewenst materiaal op de elektroden van de bougie te beperken:
 - a) zorg dat het stationaire motortoerental correct is afgesteld.
 - b) zorg dat het brandstofmengsel correct is.
 - c) zorg dat het luchtfilter schoon is.

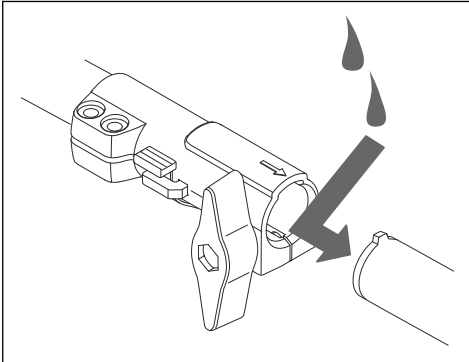
3. Reinig de bougie als deze vuil is. Controleer of de afstand tussen de elektroden juist is. Zie *Technische gegevens* op pagina 334.



4. Vervang de bougie indien nodig.

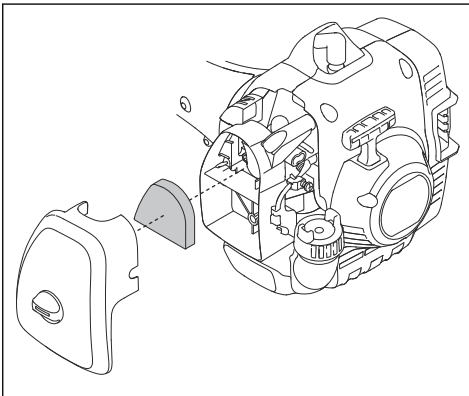
Smeermiddel aanbrengen op de deelbare steel

- Breng telkens na 30 uur bedrijf smeermiddel aan op het uiteinde van de aandrijfjas.



Het luchtfilter reinigen

1. Verwijder het luchtfilterdeksel en verwijder het luchtfilter.



2. Reinig het luchtfilter met een warm sopje van water en zeep. Zorg dat het luchtfilter droog is wanneer u dit aanbrengt.
3. Vervang het luchtfilter als het zo vuil is dat het niet meer volledig kan worden gereinigd. Vervang een beschadigd luchtfilter altijd.
4. Als uw product is uitgerust met een schuimluchtfilter, breng dan luchtfilterolie aan. Breng alleen luchtfilterolie aan op een schuimfilter. Breng geen olie aan op een viltfilter.

Luchtfilterolie aanbrengen op het luchtfilter

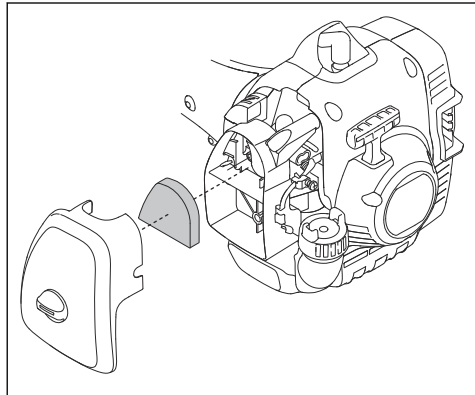


OPGELET: Gebruik altijd speciale luchtfilterolie op schuimluchtfilters. Gebruik geen andere typen olie.

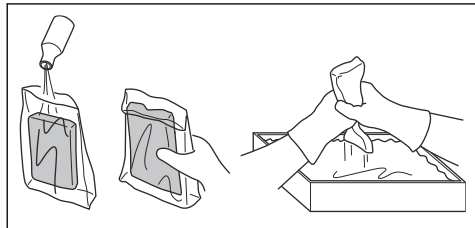


WAARSCHUWING: Zorg dat er geen olie op uw lichaam terecht komt.

1. Verwijder het luchtfilterdeksel en verwijder het luchtfilter.



2. Doe het luchtfilter in een plastic zak.
3. Doe de luchtfilterolie in de plastic zak.

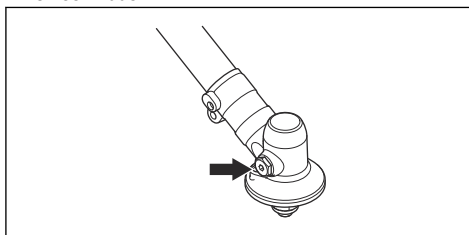


4. Druk op de plastic zak, zodat de olie gelijkmatig over het luchtfilter wordt verdeeld.

5. Duw op het luchtfilter in de plastic zak, om de overtollige luchtfilterolie te verwijderen. Verwijder het luchtfilter uit de tas.
6. Breng het luchtfilter aan.

Smeermiddel aanbrengen op de hoekoverbrenging

- Zorg dat de hoekoverbrenging voor $\frac{3}{4}$ gevuld is met smeermiddel.



Probleemoplossing

De motor start niet

Controle	Mogelijke oorzaak	Procedure
Starterpallen.	De starterpallen kunnen niet vrij bewegen.	Verwijder de starterkap en reinig rond de starterpallen.
		Zoek hulp van een erkende servicedealer.
Brandstoftank.	Verkeerd type brandstof.	Tap de brandstoftank af en vul hem met de juiste brandstof.
Bougie.	De bougie is vies of nat.	Zorg ervoor dat de bougie droog en schoon is.
	De elektrodenafstand van de bougie is onjuist.	Bougie reinigen. Controleer of de afstand tussen de elektroden juist is. Zorg ervoor dat de bougie een onderdrukking heeft. Raadpleeg <i>Technische gegevens op pagina 334</i> voor de juiste elektrodenafstand.
	De bougie zit los.	Draai de bougie vast.

De motor start, maar stopt weer

Controle	Mogelijke oorzaak	Procedure
Brandstoftank	Verkeerd type brandstof.	Leeg de brandstoftank en vul hem met de juiste brandstof.
Luchtfilter	Het luchtfilter is verstopt.	Maak het luchtfilter schoon.

Transport en opslag

- Laat het product voor opslag altijd afkoelen.

- Controleer voor opslag en vervoer van het product en de brandstof of er geen lekken of dampen zijn. Vonken of open vuur, bijvoorbeeld van elektrische apparaten of ketels, kunnen tot brand leiden.
- Gebruik altijd goedgekeurde containers voor opslag en transport van brandstof.
- Leeg de brandstoftank voorafgaand aan transport of langdurige opslag. De brandstof via een geschikte verwijderingslocatie afvoeren.
- Bevestig de transportbescherming tijdens transport en opslag.
- Verwijder de bougiekap van de bougie.
- Bevestig het product tijdens transport. Zorg ervoor dat het niet kan bewegen.
- Reinig en onderhoud het product voor lange-termijnopslag.

Technische gegevens

Technische gegevens

	122C	122LK
Motor		
Cilinderinhoud, cm ³	21,7	21,7
Stationair toerental, tpm	2900	2900
Aanbevolen maximum toerental, tpm	7200	9100
Toerental van uitgaan as, tpm	7200	6232
Max. motorvermogen volgens ISO 8893, kW/pk bij tpm	0,6/0,8 bij 7800	0,6/0,8 bij 7800
Geluidemper met katalysator	Ja	Ja
Een toerentalgeregeld ontstekingsstelsel	Nee	Nee
Ontstekingsstelsel		
Bougie	HQT-4 672201	HQT-4 672201
Elektrodenafstand, mm	0,5	0,5
Brandstofsysteem		
Inhoud brandstoftank, l/gallon	0,3/300	0,3/300
Gewicht		
Gewicht, zonder brandstof, snijuitrusting en beschermkap, kg	4,4	4,8
Geluidsemissies ⁴⁹		
Geluidsvermogeniveau, gemeten dB(A)	102	104
Geluidsvermogeniveau, gegarandeerd L _{WA} dB(A)	104	108
Geluidsniveaus ⁵⁰		
Equivalent geluidsdruk niveau op oorhoogte van de gebruiker, gemeten in overeenstemming met EN/ISO 11806 en ISO 22868, dB(A):	88	90

⁴⁹ Geluidsemissie naar de omgeving gemeten als geluidsvermogen (L_{WA}) volgens EG-richtlijn 2000/14/ EG. Het gerapporteerde geluidsvermogeniveau voor de machine is gemeten met de originele snijuitrusting die het hoogste niveau geeft. Het verschil tussen gegarandeerd en gemeten geluidsvermogen is dat het gegarandeerde geluidsvermogen ook spreiding in het meetresultaat omvat en de verschillen tussen de verschillende machines van hetzelfde model conform Richtlijn 2000/14/EG.

⁵⁰ De gerapporteerde gegevens voor een vergelijkbaar geluidsdruk niveau voor de machine vertonen een typische statistische spreiding (standaardafwijking) van 1 dB(A).

	122C	122LK
Trillingsniveau ⁵¹		
Equivalent trillingsniveau ($a_{hv, eq}$), uitgerust met trimmerkop, linkerhandgreep, m/s^2	5,0	3,6
Equivalent trillingsniveau ($a_{hv, eq}$), uitgerust met trimmerkop, rechterhandgreep, m/s^2	3,6	3,5

Accessoires

Accessoires

122C		
Goedgekeurde accessoires	Type	Beschermkap voor snijuitrusting
Schroefdraadas	3/8 R	–
Trimmerkop	T25 (draad van Ø 2,0 - 2,4 mm)	574 47 95-01
	T25C (draad van Ø 2,0 - 2,7 mm)	
	R25 (draad van Ø 2,0 - 2,4 mm)	
122LK		
Goedgekeurde accessoires	Type	Beschermkap voor snijuitrusting
Schroefdraadas	M10	–
Trimmerkop	T25 (draad van Ø 2,0 - 2,4 mm)	574 19 87-01
	R25 (draad van Ø 2,0 - 2,4 mm)	

De volgende accessoires bevelen wij aan voor onderstaande modellen.

Goedgekeurde accessoires	Type	Gebruik met
Veegopzetstuk	SR600-2	122LK
Opzetstuk heggenschaar	HA200	122LK
Opzetstuk heggenschaar	HA860	122LK
Opzetstuk afkanter	ECA850, ESA860	122LK
Zaagopzetstuk	PA1100	122LK
Accessoire verlengstuk	EX780	122LK
Opzetstuk cultivator	CA230	122LK
Opzetstuk blazer	BA101	122LK

⁵¹ De gerapporteerde gegevens voor een vergelijkbaar trillingsniveau vertonen een typische statistische spreiding (standaardafwijking) van $1 m/s^2$.

Goedgekeurde accessoires	Type	Gebruik met
Opzetstuk borstel	BR600	122LK
Opzetstuk verticuleren	DT600	122LK

Verklaring van overeenstemming

EU-verklaring van overeenstemming

Wij, Husqvarna AB, SE-561 82 Huskvarna,
Zweden, tel: +46-36-146500, verklaren onder onze
alleenverantwoordelijkheid dat het product:

Beschrijving	Grastrimmer met benzinemotor / bosmaaier
Merk	Husqvarna
Type / model	122C, 122LK
Identificatie	Serienummer vanaf 2022 en verder

volledig voldoet aan de volgende EU-richtlijnen en
-regelgeving:

Verordening	Beschrijving
2006/42/EG	"betreffende machines"
2014/30/EU	"betreffende elektromagnetische compatibiliteit"
2000/14/EG	"betreffende geluid buitenshuis"
2011/65/EU	"beperking van het gebruik van bepaalde gevaarlijke stoffen"

De volgende normen zijn van toepassing:

EN ISO 12100:2010, EN ISO 11806-1:2011, ISO
14982:1998, CISPR 12:2007+A1:2009, EN IEC
63000:2018

RISE SMP Svensk Maskinprovning AB, Box 7035,
SE-750 07 Uppsala, Sweden, heeft namens Husqvarna
AB een niet-verplicht typeonderzoek uitgevoerd.

De certificaten hebben nummer: 122C - SEC/10/2271,
122LK - SEC/10/2272

RISE SMP Svensk Maskinprovning AB, heeft ook
overeenstemming bevestigd met de bijlage V van de
richtlijn 2000/14/EG van de raad.

De certificaten hebben nummer: 122C - 01/164/068,
122LK - 01/164/067.

Huskvarna 2022-05-13



Claes Losdal, R&D Manager, Husqvarna AB
Verantwoordelijk voor technische documentatie



INNHOLD

Innledning.....	338	Feilsøking.....	352
Sikkerhet.....	340	Transport og oppbevaring.....	353
Montering.....	344	Tekniske data.....	353
Drift.....	346	Tilbehør.....	354
Vedlikehold.....	349	Samsvarserklæring.....	356

Innledning

Produktbeskrivelse

Produktet er en gresstrimmer med forbrenningsmotor.

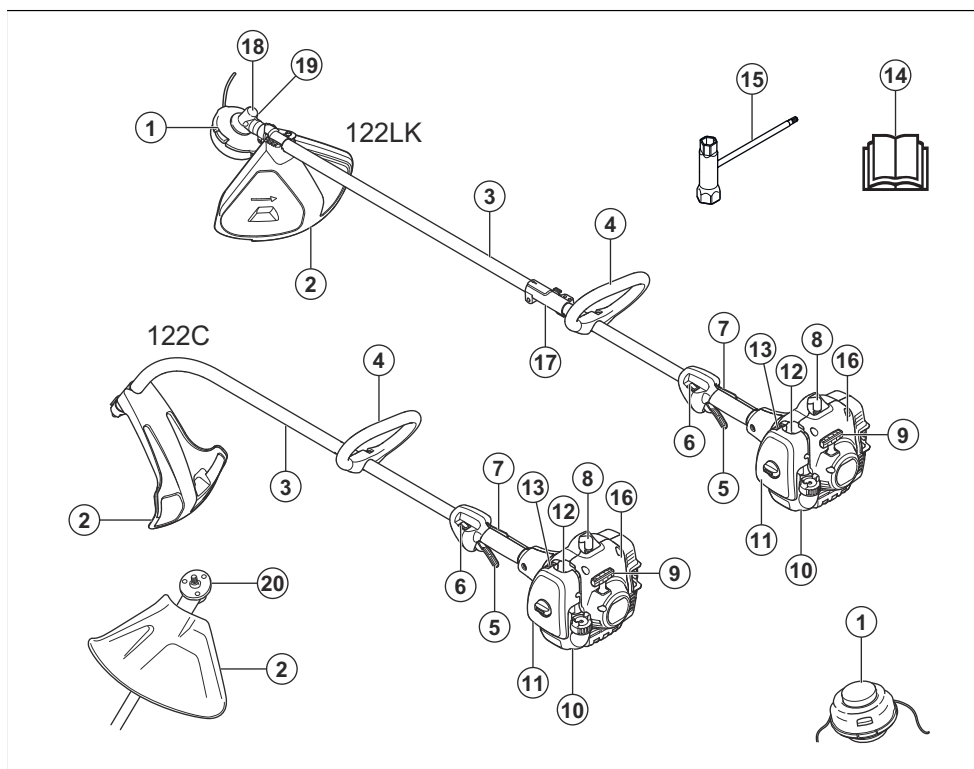
Det pågår et kontinuerlig arbeid for å øke sikkerheten og effektiviteten din under bruk. Kontakt serviceforhandleren din for mer informasjon.

Bruksområder

Produktet brukes med et trimmerhode for å klippe gress. Ikke bruk produktet til andre oppgaver enn gresstrimming og gressrydding.

Merk: Nasjonale forskrifter kan sette grenser for bruken av produktet.

Produktoversikt



1. Trimmerhode
2. Beskyttelse for skjæreutstyr
3. Riggør
4. Loophåndtak
5. Gassregulator
6. Stoppbryter
7. Gassregulatorsperre
8. Tennpluggette og tennplugg
9. Håndtak på startsnoren
10. Drivstofftank
11. Luftfilterdeksel
12. Pumpe (blære)
13. Chokehendel
14. Bruksanvisning
15. Skrunøkkel
16. Startmotorhus
17. Riggørkobling
18. Vinkelgir
19. Påfyllingslokk for fett, vinkelgir
20. Medbringerhjul

Symboler på produktet



ADVARSEL! Dette produktet er farlig. Brukeren eller personer i nærheten kan rammes av personskade eller død dersom produktet ikke brukes forsiktig og korrekt. Les og følg alle sikkerhetsinstruksjonene i brukerhåndboken for å forhindre personskade på brukeren eller personer i nærheten.



Les nøye gjennom bruksanvisningen, og sørg for at du har forstått instruksjonene før bruk.



Bruk vernehjelm på steder der gjenstander kan falle ned på deg. Bruk godkjent hørselsvern. Bruk godkjent øyevern.



max
rpm

Maksimal hastighet for den utgående akselen.



Dette produktet samsvarer med gjeldende EC-direktiver.



Produktet kan kaste ut objekter, noe som kan føre til skader.



Hold produktet minst 15 meter unna personer og dyr når du bruker det.



Bruk godkjente vernehansker.



Bruk kraftige, sklisikre støvler.



Bruk kun en fleksibel skjæreledning. Ikke bruk skjæreutstyr av metall.



Støyutslipp til omgivelsene som i EU-direktiver og forskrifter, britiske direktiver og forskrifter og New South Wales-forskriften «Protection of the Environment Operations (Noise Control) Regulation 2017». Garantert lydeffektnivå for produktet er angitt i *Tekniske data på side 353* og på etiketten.



Pumpe (blære).



Choke.



Dette produktet samsvarer med gjeldende britiske direktiver.

yyyywwxxxx

Typeskiltet viser serie-nummeret. **yyyy** er produksjonsåret, **ww** er produksjonsuken.

Merk: Øvrige symboler/klistremerker på produktet gjelder sertifiseringskrav for andre markeder.

Euro V-utslipp



ADVARSEL: Tukling med motoren opphever EU-type-godkjenningen til dette produktet.

Kundestøtte

For å få kundestøtte kan du ringe: 1-800-487-5951 eller gå til www.husqvarna.com.

Produktansvar

Som nevnt i lovverket om produktansvar er vi ikke ansvarlig for skader som produktet vårt forårsaker, i følgende tilfeller:

- Produktet er reparert på feil måte.
- Produktet er reparert med deler som ikke kommer fra produsenten eller som ikke er godkjent av produsenten.

- Produktet har et tilbehør som ikke kommer fra produsenten eller som ikke er godkjent av produsenten.
- Produktet er ikke reparert på et godkjent servicesenter eller av en godkjent aktør.

Sikkerhet

Sikkerhetsdefinisjoner

Advarsler, oppfordringer og merknader brukes for å understreke spesielt viktige deler av bruksanvisningen.



ADVARSEL: Brukes hvis det er fare for personskade eller død for brukeren eller andre personer om instruksjonene i håndboken ikke følges.



OBS: Brukes hvis det er fare for skade på produktet, annet materiell eller nærliggende områder om instruksjonene i håndboken ikke følges.

Merk: Brukes for å gi mer nødvendig informasjon for en spesifikk situasjon.

Generelle sikkerhetsinstruksjoner



ADVARSEL: Les de følgende advarslene før du bruker produktet.

- Bruk produktet riktig. Personskade eller død er mulige konsekvenser av feil bruk. Produktet må kun brukes til oppgaver angitt i denne bruksanvisningen. Ikke bruk produktet til andre oppgaver.
- Følg instruksjonene i denne bruksanvisningen. Følg symbolene og sikkerhetsinstruksjonene. Personskade, materiell skade eller død er mulige konsekvenser hvis brukeren ikke følger instruksene og symbolene.
- Ikke kast denne bruksanvisningen. Bruk instruksjonene for å montere, bruke og holde produktet i god stand. Følg instruksjonene for riktig montering av tilbehør og tilleggsutstyr. Bruk bare godkjent tilbehør og tilleggsutstyr.
- Ikke bruk et skadet produkt. Følg vedlikeholdsskjemaet. Utfør bare vedlikehold som du finner instruksjoner om i denne bruksanvisningen. Et godkjent servicesenter må gjøre alt annet vedlikeholdsarbeid.
- Denne bruksanvisningen kan ikke dekke alle situasjoner som kan oppstå når du bruker produktet.

Vær forsiktig, og bruk sunn fornuft. Ikke bruk produktet eller utfør vedlikehold av produktet hvis du ikke føler deg trygg i situasjonen. Snakk med en produktekspert, forhandleren, serviceverkstedet eller et godkjent servicesenter for mer informasjon.

- Koble fra tennpluggkabelen før du monterer produktet, setter produktet til oppbevaring eller utfører vedlikehold.
- Ikke bruk produktet hvis det er endret fra den opprinnelige spesifikkasjonen. Ikke bytt en del av produktet uten godkjenning fra produsenten. Bruk bare deler som er godkjent av produsenten. Personskade eller død er mulige konsekvenser av feil vedlikehold.
- Ikke pust inn avgassene fra motoren. Langvarig innånding av motorens avgasser utgjør en helsesisiko.
- Ikke start produktet innendørs eller i nærheten av brennbare materialer. Eksosen er varm og kan inneholde gnister som kan starte en brann. En utilstrekkelig luftstrøm kan føre til personskade eller dødsfall på grunn av kveling eller karbonmonoksidforgiftning.
- Motoren genererer et elektromagnetisk felt når du bruker dette produktet. Det elektromagnetiske feltet kan føre til skader på medisinske implantater. Snakk med legen din og produsenten av det medisinske implantatet før du bruker produktet.
- Ikke la barn bruke produktet. Ikke la en person uten kunnskap om instruksjonene bruke produktet.
- Sørg for at du alltid overvåker personer med redusert fysisk eller mental kapasitet når de bruker produktet. En ansvarlig voksen må alltid være til stede.
- Lås inn produktet et sted som barn og uautoriserte personer ikke har tilgang til.
- Produktet kan kaste ut løse gjenstander og forårsake personskade. Følg instruksjonene for å redusere faren for personskade eller død.
- Ikke forlat produktet når motoren er på.
- Brukeren av produktet er ansvarlig hvis det skjer en ulykke.
- Pass på at delene ikke er skadet, før du bruker produktet.
- Kontroller at du er minst 15 m unna andre personer eller dyr før du bruker produktet. Pass på at

personer i nærheten vet at du kommer til å bruke produktet.

- Se nasjonale eller lokale lover. De kan forby eller begrense bruken av produktet under enkelte forhold.
- Ikke bruk produktet hvis du er trett eller påvirket av alkohol, andre rusmidler eller legemidler. Dette kan påvirke syn, oppmerksomhet, koordinasjon eller vurderingsevne.

Sikkerhetsinstruksjoner for montering



ADVARSEL: Les de følgende advarslene før du bruker produktet.

- Fjern tennpluggheten fra tennpluggen før du monterer produktet.
- Bruk godkjente vernehansker.
- Sørg for at du monterer dekeleet og riggrøret på riktig måte før du starter motoren.

Sikkerhetsinstruksjoner for drift

- Kontroller at produktet er ferdig montert før du bruker det.
- Flytt produktet 3 m unna stedet der du fylte drivstofftanken før du starter det. Plasser produktet på et flatt underlag. Pass på at skjæreutstyret ikke berører bakken eller andre gjenstander.
- Produktet kan kaste ut objekter, noe som kan føre til skader på øynene. Bruk alltid et godkjent øyevern når du bruker produktet.
- Vær forsiktig, et barn kan komme nær produktet under drift uten at du er klar over det.
- Bruk ikke produktet dersom det finnes andre personer i arbeidsområdet. Slå av produktet hvis en person går inn i arbeidsområdet.
- Pass på at du alltid har kontroll over produktet.
- Ikke bruk produktet hvis du ikke kan motta hjelp hvis det skjer en ulykke. Før du begynner å bruke produktet, må du alltid sørge for at andre vet at du skal bruke det.
- Ikke snu deg med produktet før du forsikrer deg om at ingen personer eller dyr er innenfor sikkerhetsområdet.
- Fjern alt uønsket materiale fra arbeidsområdet før du begynner. Hvis skjæreutstyret treffer et objekt, kan objektet bli kastet ut og forårsake personskade eller materiell skade. Uønsket materiale kan tvinne seg rundt skjæreutstyret og forårsake skade.
- Ikke bruk produktet i dårlig vær (tåke, regn, sterk vind, ved fare for lyn eller annet uvær). Farlige forhold (for eksempel glatte overflater) kan oppstå på grunn av dårlig vær.

- Sørg for at du kan bevege deg fritt og arbeide i en stabil stilling.



- Pass på at du ikke risikerer å falle når du bruker produktet. Ikke len deg til siden når du bruker produktet.
- Hold alltid produktet med to hender. Hold produktet på høyre side av kroppen.



- Bruk produktet med skjæreutstyret under hofte høyde.
- Hvis chokehendelen står i choke-stilling når motoren starter, begynner skjæreutstyret å rotere.
- Ikke berør vinkelgiret rett etter at motoren har stoppet. Vinkelgiret er varmt etter at motoren har stoppet. Varme områder kan forårsake skader.
- Stopp motoren før du flytter produktet.
- Ikke legg produktet ned mens motoren er på.
- Før du fjerner uønsket materiale fra produktet, må du stoppe motoren og vente til skjæreutstyret stoppes. Vent til skjæreutstyret stopper før du eller andre fjerner avklipt materiale.

Personlig verneutstyr



ADVARSEL: Les de følgende advarselinstruksjonene før du bruker produktet.

- Benytt alltid godkjent verneutstyr når du bruker produktet. Verneutstyr kan aldri fullstendig forhindre skade, men det reduserer skadeomfanget hvis ulykken inntreffer. Spør forhandleren din om hjelp til å velge riktig utstyr.
- Bruk vernehjelm dersom det kan være fare for fallende gjenstander.

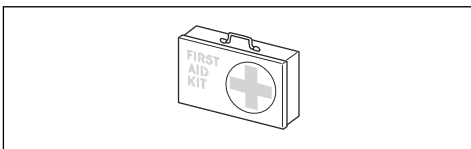
- Bruk godkjent hørselsvern med tilstrekkelig lyddempende virkning. Langvarig eksponering for støy kan gi varige hørselsskader.
- Bruk godkjent øyevern. Ved bruk av visir skal det også brukes godkjente vernebriller. Godkjente vernebriller er slike som tilfredsstill standard ANSI Z87.1 for USA eller EN 166 for EU-land.
- Bruk visir for å beskytte ansiktet. Et visir er ikke nok for å beskytte øynene.



- Bruk hansker når det er nødvendig, for eksempel når du fester, undersøker eller rengjør skjæreutstyret.
- Bruk sklisikre og solide støvler.
- Bruk klær av et slitesterkt materiale. Bruk alltid tykke langbukser og lange ermer. Unngå bruk av altfor vide klær som lett henger seg fast i kvister og grener. Ikke bruk smykker, kortbukser eller sandaler, og ikke gå barbert. Sett håret opp over skuldernivå.



- Ha førstehjelpsutstyr for hånden.



Sikkerhetsutstyr på produktet

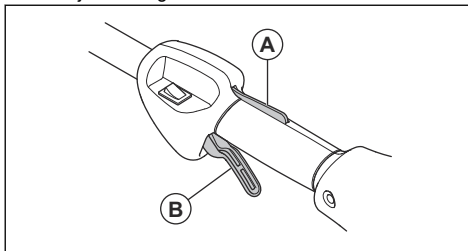


ADVARSEL: Les de følgende advarslene før du bruker produktet.

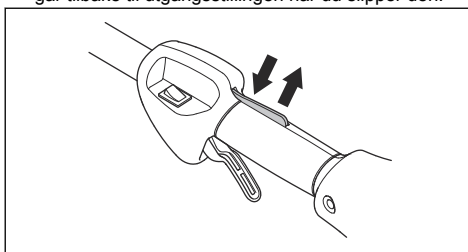
- Ikke bruk produktet dersom sikkerhetsutstyret er defekt.
- Utfør regelmessig kontroll av sikkerhetsutstyret. Se *Vedlikeholdsskjema på side 350*.
- Ta kontakt med din Husqvarna-serviceforhandler dersom sikkerhetsutstyret er defekt.

Slik kontrollerer du gassregulatorsperren

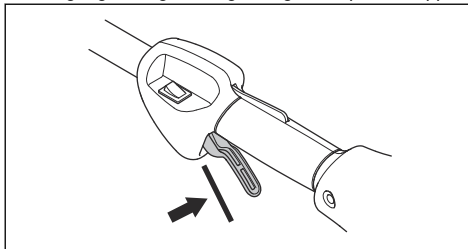
1. Kontroller at gassregulatorsperren (A) og gassregulatoren (B) kan bevege seg fritt, og at returflåren fungerer som den skal.



2. Trykk på gassregulatorsperren, og kontroller at den går tilbake til utgangsstillingen når du slipper den.



3. Kontroller at gassregulatoren er låst i tomgangsstillingen når gassregulatorsperren slippes.



4. Start produktet og gi full gass.
5. Slipp gassregulatoren, og forsikre deg om at knivene stopper og forblir i ro.

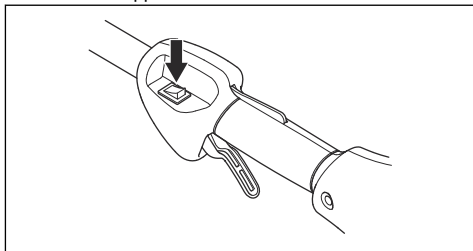


ADVARSEL: Hvis knivene beveger seg når gassregulatoren står i tomgangsstilling, må forgasserens tomgangsturtall justeres. Se *Slik justerer du tomgangsturtallet på side 350*.

Slik kontrollerer du stoppbryteren

1. Start motoren.

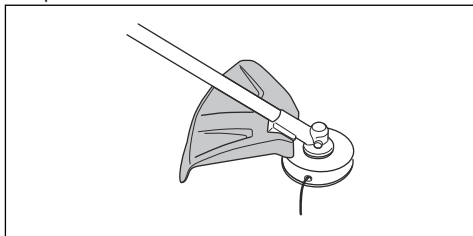
2. Flytt stoppbryteren til stopstillingen, og sjekk at motoren stopper.



Slik kontrollerer du beskyttelsen for skjæreutstyret

Beskyttelsen for skjæreutstyret stopper gjenstander som kastes ut i retning av brukeren. Det forhindrer også skader som oppstår hvis du berører skjæreutstyret.

1. Stopp motoren.
2. Utfør en visuell sjekk etter skader, for eksempel sprekker.



3. Skift ut beskyttelsen for skjæreutstyret hvis den er skadet.

Lyddemper

- Ikke bruk en motor med defekt lyddemper. En defekt lyddemper øker lydnivået og brannfaren. Ha et brannslukningsapparat i nærheten.
- Kontroller regelmessig at lyddemperen er koblet til produktet.
- Ikke berør motoren eller lyddemperen når motoren er på. Ikke berør motoren eller lyddemperen på en stund etter at motoren har stoppet. Varme overflater kan forårsake personskade.
- En varm lyddemper kan forårsake brann. Vær forsiktig hvis du bruker produktet i nærheten av brennbare vesker eller damp.
- Ikke berør delene i lyddemperen hvis lyddemperen er skadet. Delene kan inneholde noen kreftframkallende kjemikalier.

Skjæreutstyr



ADVARSEL: Les de følgende advarslene før du bruker produktet.

- Utfør regelmessig vedlikehold. La et godkjent servicesenter undersøke skjæreutstyret regelmessig for å gjøre justeringer eller reparasjoner.
 - Ytelsen til skjæreutstyret øker.
 - Levetiden til skjæreutstyret øker.
 - Risikoen for ulykker reduseres.
- Bruk bare godkjent beskyttelsesskjerm for skjæreutstyr. Se *Tilbehør på side 354*.
- Ikke bruk skadet skjæreutstyr.

Drivstoffsikkerhet



ADVARSEL: Les de følgende advarselinstruksjonene før du bruker produktet.

- Ikke bland drivstoff innendørs eller i nærheten av en varmekilde.
- Ikke start produktet hvis det er drivstoff eller motorolje på produktet. Fjern uønsket drivstoff/olje, og la produktet tørke. Fjern uønsket drivstoff fra produktet.
- Skift klær umiddelbart hvis du søler drivstoff på klærne.
- Ikke få drivstoff på kroppen, da dette kan føre til personskade. Bruk såpe og vann for å fjerne drivstoff hvis du får drivstoff på kroppen.
- Ikke start motoren hvis du søler olje eller drivstoff på produktet eller på kroppen din.
- Ikke start produktet hvis motoren lekker. Kontroller motoren for lekkasjer med jevne mellomrom.
- Vær forsiktig med drivstoff. Drivstoff er brannfarlig, og avgassene er eksplosive og kan forårsake personskade eller død.
- Ikke pust inn bensindamp, da dette kan føre til personskade. Pass på at det er tilstrekkelig luftstrøm.
- Du må ikke røyke i nærheten av drivstoff eller motoren.
- Ikke sett varme gjenstander i nærheten av drivstoff eller motoren.
- Ikke fyll på drivstoff når motoren er på.
- Kontroller at motoren er avkjølt før du fyller på drivstoff.
- Åpne tanklokket sakte og slipp ut trykket forsiktig før du fyller.
- Pass på at det er tilstrekkelig luftstrøm når du fyller på drivstoff og blander drivstoff (bensin og totaktsolje) eller tapper drivstofftanken.
- Bensin og bensindamp er svært brannfarlig og kan gi alvorlige personskader ved innånding eller hudkontakt. Vær derfor forsiktig ved håndtering av drivstoff, og sørg for tilstrekkelig luftstrøm ved drivstoffhåndtering.
- Trekk til lokket på drivstofftanken forsiktig. Brann kan oppstå hvis du ikke gjør dette.
- Flytt produktet minst 3 m fra stedet der du fylte tanken, før du starter det.

- Ikke fyll for mye drivstoff på tanken.
- Kontroller at det ikke oppstår lekkasjer når du flytter produktet eller bensinkannen.
- Ikke plasser produktet eller en drivstoffbeholder i nærheten av åpen flamme, gnister eller pilotflamme. Pass på at det ikke er åpen flamme i oppbevaringsområdet.
- Bruk bare godkjente beholdere når du flytter drivstoff eller setter drivstoff til oppbevaring.
- Tøm drivstofftanken før lengre tids oppbevaring. Følg lokale lover om hvor du kan kassere drivstoff.
- Rengjør produktet før lengre tids oppbevaring.
- Fjern tennpluggetten før du setter produktet til oppbevaring, for å sikre at motoren ikke starter ved et uhell.

Sikkerhetsinstruksjoner for vedlikehold



ADVARSEL: Les de følgende advarselinstruksjonene før du bruker produktet.

- Stopp motoren, kontroller at skjærestyret stanser, og la produktet avkjøles før du utfører vedlikehold.
- Koble fra tennpluggetten før du utfører vedlikehold.

- Eksosen fra motoren inneholder karbonmonoksid, en luktfri, giftig og svært farlig gass som kan forårsake dødsfall. Ikke bruk produktet innendørs eller i lukkede rom.
- Motorens avgasser er varme og kan inneholde gnister. Ikke bruk produktet innendørs eller i nærheten av brennbare materialer.
- Tilbehør og endringer på produktet som ikke er godkjent av produsenten, kan føre til alvorlig personskade eller dødsfall. Ikke foreta endringer av produktet. Bruk alltid originalt tilbehør.
- Hvis vedlikeholdet ikke utføres riktig og regelmessig, øker faren for personskade og skade på produktet.
- Bare utfør vedlikehold som er anbefalt i denne bruksanvisningen. La et godkjent Husqvarna-serviceverksted utføre all annen service.
- La et godkjent Husqvarna-serviceverksted utføre service på produktet regelmessig.
- Skift ut alle skadde, slitte eller ødelagte deler.
- Se instruksjonene for skjærestyret for riktig fremgangsmåte for installering av trimmertråd og riktig tråddiameter.
- Hold bladtennene godt og korrekt filt. Følg anbefalingene våre. Se også instruksjonene på bladets emballasje.

Montering

Innledning



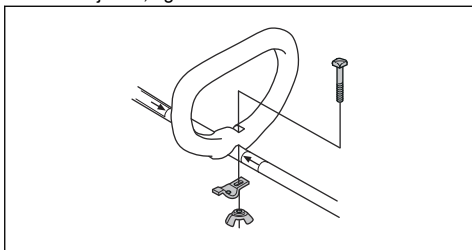
ADVARSEL: Før du monterer produktet, må du lese og forstå kapittelet om sikkerhet.



ADVARSEL: Fjern tennpluggkabelen fra tennpluggen før du monterer produktet.

Slik fester du loophåndtaket

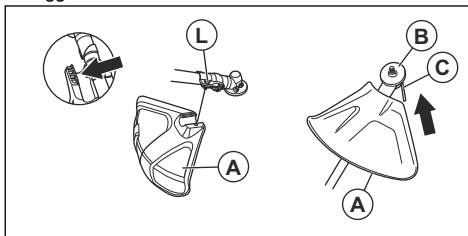
1. Fest loophåndtaket til riggrøret i samsvar med illustrasjonen, og trekk til.



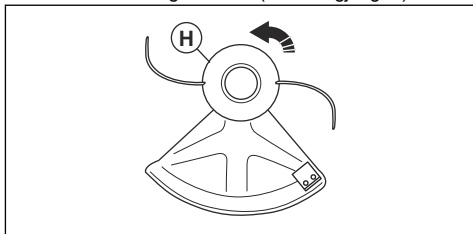
2. Kontroller at loophåndtaket er festet mellom pilmarkeringene på riggrøret.

Slik fester du beskyttelsesskjermen for skjærestyret og trimmerhodet (rett riggrør)

1. Fest beskyttelsesskjermen for skjærestyret (A) på riggrøret med bolten (L).
2. Fest medbringerhjulet (B) på den utgående akselen.
3. Vri den utgående akselen rundt til hullet i medbringerhjulet stemmer overens med hullet i girhuset.
4. Før en liten skrutrekker (C) inn i hullet for å låse riggrøret.

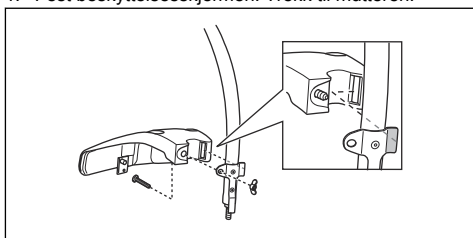


5. Drei trimmerhodet (H) mot urviseren for å stramme trimmerhodet til girkassen. (Venstre gjenger.)

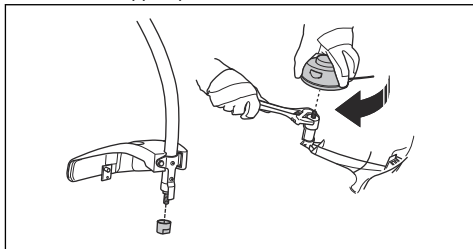


Slik fester du beskyttelsesskjermen for skjæreutstyret og trimmerhodet (bøyd riggrør)

1. Fest beskyttelsesskjermen. Trekk til mutteren.



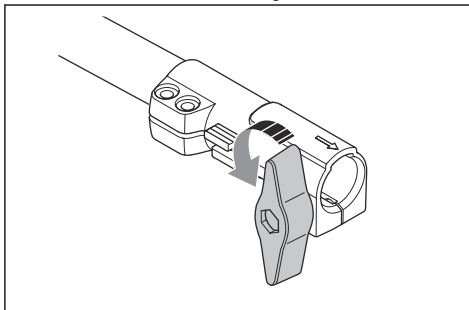
2. Fest støvkoppen på akselen.



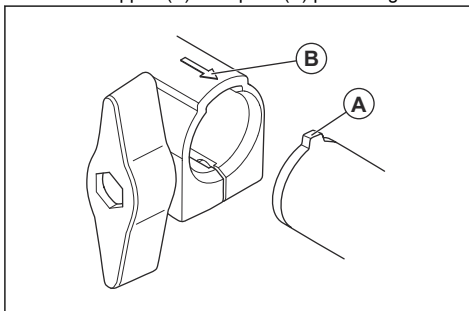
3. Hold støvkoppen med en skiffenøkkel for å forsikre deg om at riggrøret ikke roterer.
4. Fest trimmerhodet på riggrøret. Drei trimmerhodet med urviseren.

Slik monterer du det todeltede riggrøret

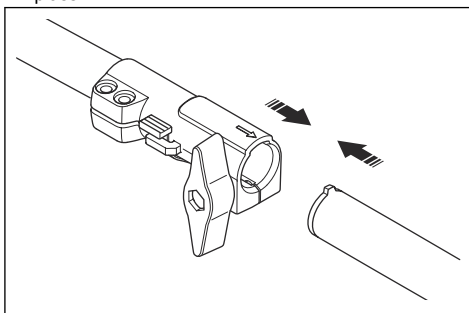
1. Vri knotten for å løsne koblingen.



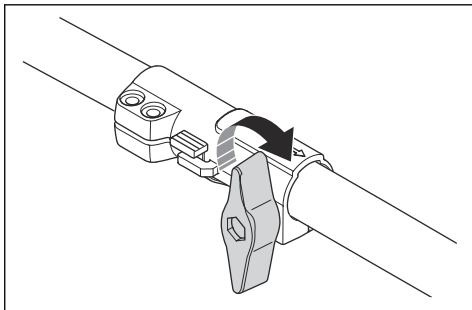
2. Rett inn tappen (A) etter pilen (B) på koblingen.



3. Skyv riggrøret inn i koblingen til det smekker på plass.

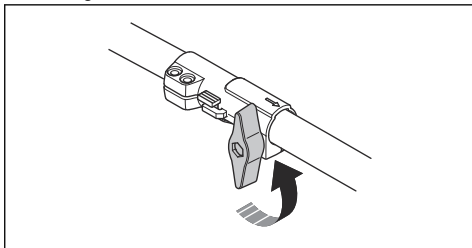


4. Stram knotten helt.



Slik demonterer du det todelte riggrør

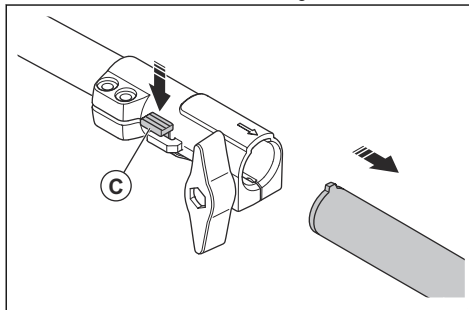
1. Vri knotten 3 omdreinger eller mer for å løse koblingen.



2. Trykk ned og hold nede knappen (C).

3. Hold godt tak i enden av riggrøret som motoren er festet til.

4. Trekk tilbehøret rett ut av koblingen.



Drift

Innledning



ADVARSEL: Før du bruker produktet, må du lese og forstå kapittelet om sikkerhet.

Drivstoff

Dette produktet har en totaktsmotor.



OBS: Feil type drivstoff kan føre til skader på motoren. Bruk en blanding av bensin og totaktsolje.

Forhåndsblandet drivstoff

- Bruk Husqvarna forhåndsblandet alkylatdrivstoff for å få best mulig ytelse og forlengelse av motorens levetid. Drivstoffet inneholder færre skadelige stoffer sammenlignet med vanlig drivstoff, noe som reduserer skadelige avgasser. Mengden rester etter forbrenning er lavere med dette drivstoffet, noe som holder motoren ren.

Slik blander du drivstoff

Bensin

- Bruk kvalitetsbensin av blyfri type med maksimalt 10 prosent etanolinnhold.



OBS: Ikke bruk bensin med et oktantal som er mindre enn 90 RON/87 AKI. Bruk av lavere oktantal kan føre til motorbanking, noe som forårsaker motorskader.

Totaktsolje

- For å få best mulig resultat og ytelse bør du bruke Husqvarna-totaktsolje.
- Hvis det ikke er mulig å få tak i Husqvarna-totaktsolje, kan du bruke en totaktsolje av høy kvalitet for luftkjølte motorer. Snakk med serviceforhandleren din for å velge riktig olje.



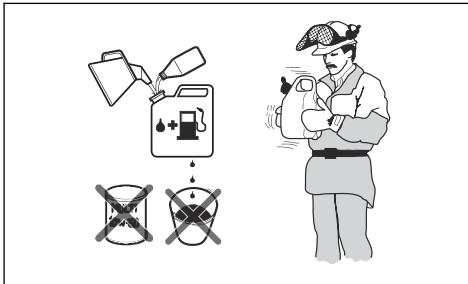
OBS: Bruk ikke totaktsolje beregnet på vannkjølte påhengsmotorer, såkalt outboardoil. Ikke bruk olje for firetaktsmotorer.

Blande bensin og totaktsolje

Bensin, liter	Totaktsolje, liter
	2 % (50:1)
5	0,10
10	0,20
15	0,30
20	0,40



OBS: Små feil kan påvirke blandingsforholdet drastisk når du blander små mengder drivstoff. Mål oljemengden som skal blandes, svært nøyaktig for å sikre at du får riktig blandingsforhold.



1. Fyll halve drivstoffmengden i en ren beholder for drivstoff.
2. Tilsett all oljen.
3. Rist drivstoffblandingen.
4. Fyll resten av bensinen på beholderen.
5. Rist drivstoffblandingen forsiktig.



OBS: Ikke bland drivstoff for mer enn én måned om gangen.

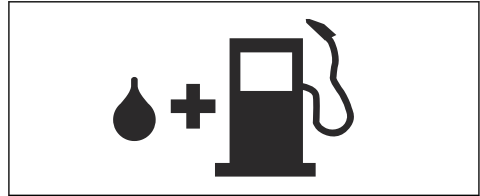
Slik fyller du drivstofftanken



ADVARSEL: Utfør følgende prosedyren for din egen sikkerhet.

1. Stopp motoren, og la motoren bli avkjølt.

2. Tørk rent rundt drivstofflokket.



3. Rist beholderen, og forsikre deg om at drivstoffet er helt blandet.
4. Åpne drivstofflokket sakte for å slippe ut trykket.
5. Fyll drivstofftanken.



OBS: Kontroller at det ikke er for mye drivstoff i drivstofftanken. Drivstoffet utvides når det blir varmt.

6. Trekk forsiktig til drivstofflokket.
7. Rengjør drivstoffsøl på og rundt produktet.
8. Flytt produktet minst tre meter bort fra drivstoffkilden og stedet der du fylte drivstoff, før du starter motoren.

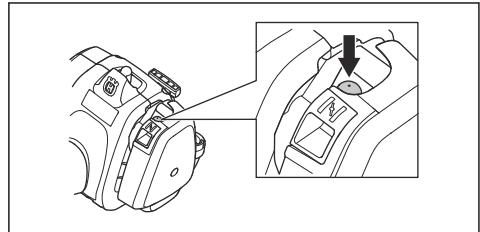
Merk: Hvis du vil finne ut hvor drivstofftanken er på produktet, kan du se *Produktoversikt* på side 338.

Ting å undersøke før start

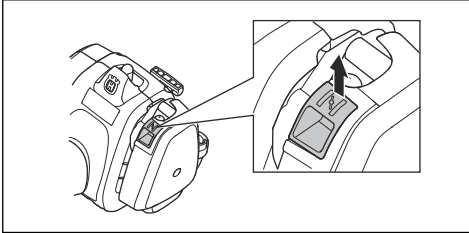
1. Kontroller at produktet ikke har manglende, skadde, løse eller slitte deler.
2. Kontroller at mutre, skruer og bolter er trukket til.
3. Kontroller at trimmerhodet ikke er skadet.
4. Kontroller at luftfilteret ikke er tett.
5. Pass på at sikkerhetsutstyret på produktet ikke er defekt.
6. Kontroller at produktet ikke har noen drivstofflekkasjer.

Slik starter du en kald motor

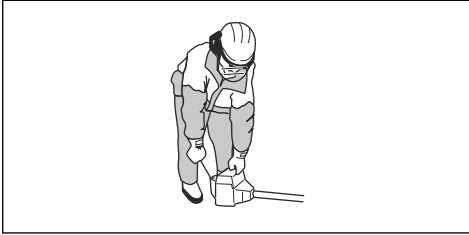
1. Trykk på pumpen ti ganger.



2. Still chokehendelen i choke-stillingen.



3. Hold produktet på bakken med venstre hånd.



OBS: Ikke trakk på produktet.

4. Trekk langsomt i startsnorhåndtaket med høyre hånd helt til du føler motstand. Trekk deretter raskt og bestem i startsnorhåndtaket, helt til du hører at motoren starter eller forsøker å starte.



ADVARSEL: Surr aldri startsnoren rundt hånden.

5. Sett chokehendelen i driftstilling.
6. Hvis motoren starter, trykker du lett på gassregulatoren og lar motoren gå i 60 sekunder for å varme den opp. Hvis motoren ikke starter, trekker du i startsnorhåndtaket til motoren starter. Deretter trykker du lett på gassregulatoren og lar motoren gå i 60 sekunder for å varme den opp.



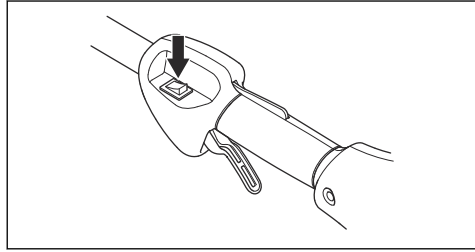
OBS: Ikke trekk startsnoren helt ut, og ikke slipp håndtaket på startsnoren. Dette kan skade produktet. Slipp startsnoren langsomt.

Starte en varm motor

1. Trykk på pumpen ti ganger.
2. Trekk i startsnoren til motoren starter.

Slik stopper du produktet

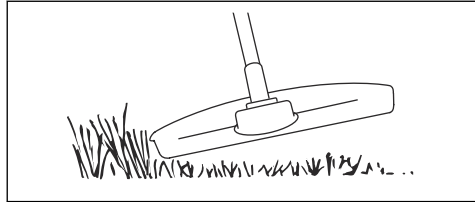
- Trykk på stoppbryteren for å stoppe motoren.



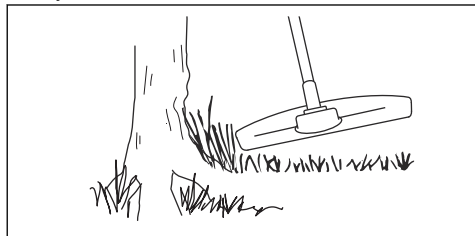
Merk: Stoppbryteren går automatisk tilbake til utgangsstillingen.

Trimme gress

1. Hold trimmerhodet like over bakken, og vipp det lett. Ikke skyv trimmertråden ned i gresset.



2. Reduser lengden på trimmertråden med 10–12 cm.
3. Reduser motorens turtall for å redusere faren for å skade planter.
4. Bruk 80 % gass når du klipper gresset i nærheten av objekter.



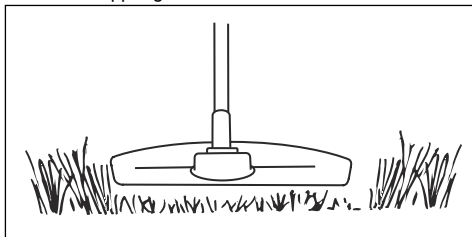
Fjerne gress med en gressklinge

1. Gressklinger og gresskniver må ikke brukes på treaktige stammer.
2. Til alle typer av høyt eller kraftig gress brukes gressklinge.
3. Gresset meies ned med pendlende bevegelser til sidene, der bevegelse fra høyre til venstre er ryddemomentet og bevegelse fra venstre til høyre er returbevegelsen. La klingene arbeide med venstre side (mellom klokken 8 og 12).

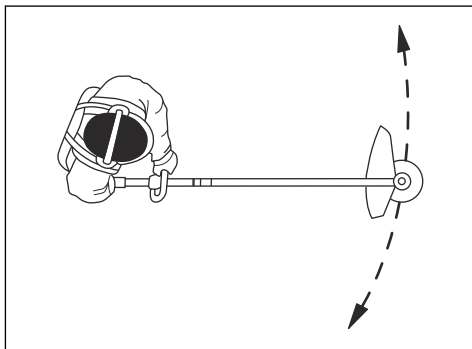
4. Hvis klingen vippes noe mot venstre ved gressrydding, samles gresset i en streng som gjør oppsamlingen lettere f.eks. ved raking.
5. Forsøk å arbeide rytmisk. Stå støtt med føttene fra hverandre. Flytt deg forover etter returbevegelsen og still deg støtt igjen.
6. La støttekoppen ligge lett an mot bakken. Den skal beskytte klingens mot å gå i bakken.
7. Reduser faren for at materiale setter seg fast rundt klingens ved å alltid arbeide med full gass og unngå det nyklippede materialet under returbevegelsen.
8. Stans motoren, løsne selen og plasser maskinen på bakken før du samler sammen det avvikrede materialet.

Slik klipper du gress

1. Sørg for at trimmertråden er parallell med bakken når du klipper gresset.



2. Ikke dytt trimmerhodet ned i bakken. Dette kan skade produktet.
3. Flytt produktet fra side til side når du klipper gresset. Bruk fullt turtall.



Slik samler du opp gresset

Luftstrømmen fra den roterende trimmertråden kan brukes til å fjerne gress fra et bestemt område.

1. Hold trimmerhodet og trimmertråden parallellt med og over bakken.
2. Gi full gass.
3. Beveg trimmerhodet fra side til side, og samle opp gresset.



ADVARSEL: Rengjør trimmerhodets deksel hver gang du monterer en ny trimmertråd for å forhindre ubalanse og vibrasjon i håndtakene. Utfør også en kontroll av de andre delene på trimmerhodet, og rengjør det om nødvendig.

Gresstrimmerhode

- Pass på at du tviner gresstrimmertråden stramt og jevnt rundt trommelen for å redusere vibrasjon.
- Bruk bare godkjente gresstrimmerhoder og gresstrimmertråder. Se *Tilbehør på side 354*.
- Bruk riktig lengde på gresstrimmertråden. En lang gresstrimmertråd bruker mer motorkraft enn en kort gresstrimmertråd.
- Pass på at kapperen på beskyttelsesskjermen for skjærestyret ikke er skadet.
- Bløtlegg gresstrimmertråden i vann i to dager før du fester gresstrimmertråden til produktet. Dette øker levetiden til gresstrimmertråden.
- Følg skjærestyrets anvisninger for korrekt montering av trimmertråd og valg av riktig tråddiameter.

Vedlikehold

Innledning



ADVARSEL: Før du utfører vedlikeholdsarbeid, må du lese og forstå kapittelet om sikkerhet.

For alt vedlikehold og reparasjonsarbeid på produktet er det nødvendig med spesiell opplæring. Vi garanterer fagmessig reparasjon og service. Hvis forhandleren ikke er et serviceverksted, må du snakke med dem for å få informasjon om nærmeste serviceverksted.

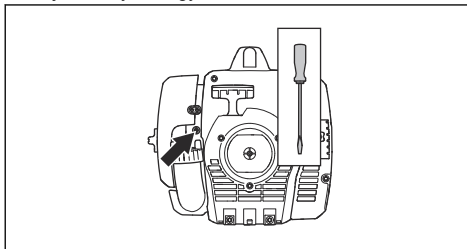
Vedlikeholdsskjema

Vedlikehold	Daglig	Ukentlig	Månedlig
Rengjør de utvendige overflatene.	X		
Rengjør luftfilteret. Skift ut om nødvendig.	X		
Kontroller funksjonen til gassregulatorsperreren og gassen.	X		
Kontroller stoppbryteren.	X		
Kontroller dekslene.	X		
Kontroller trimmerhodet.	X		
Kontroller låsemutteren.	X		
Se etter drivstofflekkasjer.	X		
Sørg for at gressklingen står på linje med midten, at den er skarp og at det ikke er skader på klingen eller sentrumshullet.	X		
Kontroller at skjæreutstyret ikke roterer på tomgang.	X		
Påfør fett på det todelte riggrøret.		X	
Undersøk startsnoren og håndtaket på startsnoren.		X	
Kontroller fettet til vinkelgiret.		X	
Rengjør tennpluggen utvendig. Fjern tennpluggen, og mål elektrodeavstanden. Juster elektrodeavstanden eller bytt ut tennpluggen.		X	
Rengjør kjølesystemet.		X	
Rengjør eller skift lyddemperens gnistfangernett.		X	
Rengjør utsiden av forgasseren og området rundt den.		X	
Undersøk drivstoffilteret for forurensning.			X
Se etter skade på drivstoffslangen.			X
Undersøk alle kabler og forbindelser.			X
Se etter slitasje på clutchen, koblingsfjærene og koblingstrommelen.			X
Skift tennplugg.			X

Slik justerer du tomgangsturtallet

Kontroller at luftfilteret er rent og at luftfilterlokket er festet før du justerer tomgangsturtallet.

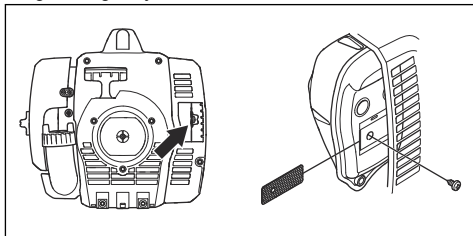
1. Drei skruen for tomgangsturtall (T), som er identifisert med et T-merke, med urviseren til skjæreutstyret begynner å rotere.



2. Drei skruen for tomgangsturtall (T), som er identifisert med et T-merke, mot urviseren til skjæreutstyret slutter å rotere.
3. Tomgangsturtallet må være lavere enn hastigheten når skjæreutstyret begynner å rotere. Tomgangsturtallet er korrekt når motoren går jevnt i alle stillinger.

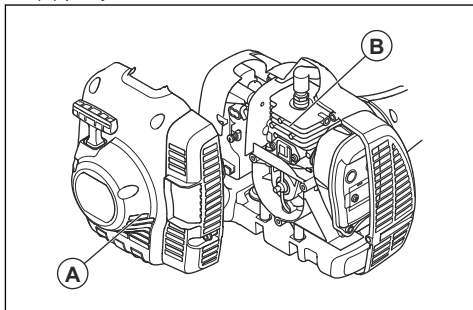
Slik utfører du vedlikehold av gnistfangerskjermen

- Bruk en stålbørste for å rengjøre gnistfangerskjermen.



Slik rengjør du kjølesystemet

- Rengjør luftinntaket (A) på starteren og kjøleflensene (B) på sylinderen med en børste.



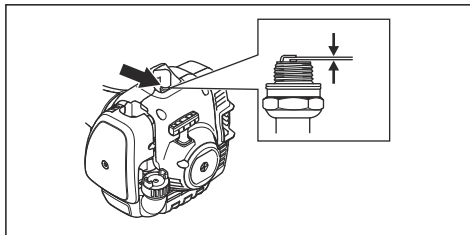
Slik kontrollerer du tennpluggen



OBS: Bruk anbefalt tennplugg. Pass på at den nye delen er av samme type som delen produsenten leverte. Feil tennplugg kan føre til skade på produktet. Påse at tennpluggen har støydemping. Kontakt serviceforhandleren din for mer informasjon.

1. Kontroller tennpluggen når
 - a) motoren har liten kraft
 - b) motoren ikke er lett å starte
 - c) motoren ikke fungerer korrekt på tomgang
2. Se etter uønsket materiale på tennpluggen hvis motoren ikke er lett å starte og betjene. Slik reduserer du risikoen for uønsket materiale på tennpluggenes elektroder:

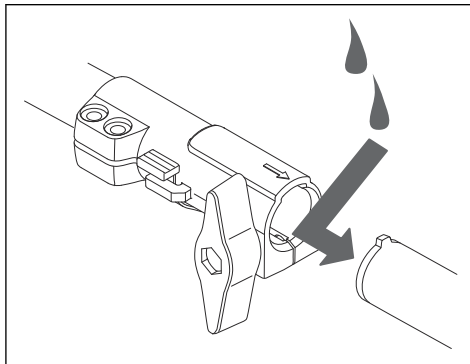
- a) Pass på at tomgangsturtallet er riktig justert.
 - b) Pass på at drivstoffblandingen er riktig.
 - c) Kontroller at luftfilteret er rent.
3. Rengjør tennpluggen hvis den er skitten. Kontroller at elektrodeavstanden er riktig. Se *Tekniske data på side 353*.



4. Skift tennpluggen når det er nødvendig.

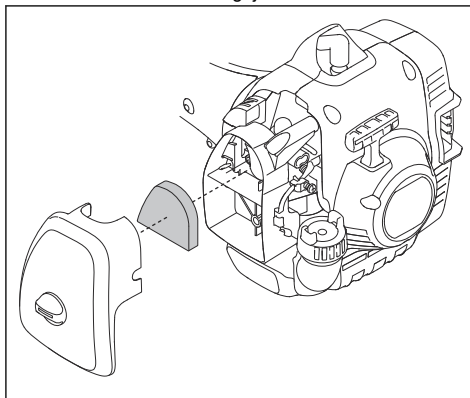
Påføre fett på det todelte riggrøret

- Påfør fett på enden av drivakselen etter hver 30. driftstime.



Rengjøre luftfilteret

1. Ta av luftfilterdekslet og fjern luftfilteret.



2. Rengjør luftfilteret med varmt såpevann. Sørg for at luftfilteret er tørt før du monterer det.
3. Skift luftfilteret hvis det er for skittent til å rengjøres ordentlig. Bytt alltid ut skadet luftfilter.
4. Påfør luftfilterolje hvis produktet har et luftfilter i skum. Påfør luftfilterolje bare på et skumfilter. Ikke påfør olje på et filtfilter.

Påføre luftfilterolje på luftfilteret

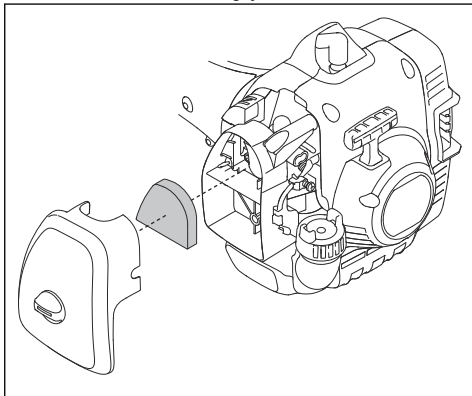


OBS: Bruk alltid spesiell luftfilterolje på luftfiltre i skum. Ikke bruk andre typer olje.

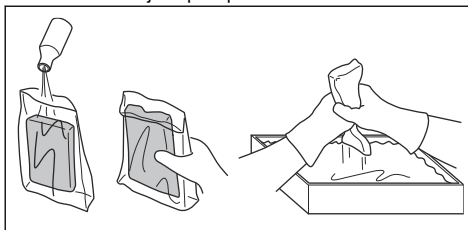


ADVARSEL: Ikke få olje på kroppen din.

1. Ta av luftfilterdekselet og fjern luftfilteret.



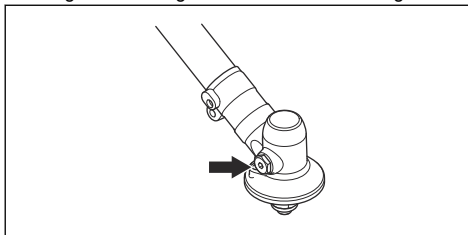
2. Putt luftfilteret i en plastpose.
3. Putt luftfilteroljen i plastposen.



4. Dytt på plastposen for å sikre at oljen er likt fordelt over luftfilteret.
5. Trykk på luftfilteret, mens det er i posen, for å fjerne overflødig luftfilterolje. Fjern luftfilteret fra posen.
6. Monter luftfilteret.

Slik påfører du fett på vinkelgiret

- Sørg for at vinkelgiret er 3/4 fullt med vinkelgirfett.



Feilsøking

Motoren starter ikke

Kontroller	Mulig årsak	Prosedyre
Starthaker	Starthakene beveger seg ikke fritt.	Fjern starterdekselet, og rengjør rundt start-hakene. Få hjelp fra en godkjent servicerepresentant.
Drivstofftank	Feil drivstofftype	Tøm drivstofftanken, og fyll på med riktig drivstoff.

Kontroller	Mulig årsak	Prosedyre
Tennplugg	Tennpluggen er skitten eller våt.	Kontroller at tennpluggen er tørr og ren.
	Tennpluggens elektrodeavstand er feil.	Rengjør tennpluggen. Kontroller at elektrodeavstanden er riktig. Kontroller at tennpluggen har støydemping.
		Se <i>Tekniske data på side 353</i> for å finne informasjon om riktig elektrodeavstand.
	Tennpluggen er løs.	Stram til tennpluggen.

Motoren starter, men stopper igjen

Kontroll	Mulig årsak	Prosedyre
Drivstofftank	Feil drivstofftype.	Tøm drivstofftanken, og fyll den med riktig drivstoff.
Luffilter	Luffilteret er tett.	Rengjør luffilteret.

Transport og oppbevaring

- La alltid produktet kjøles ned før det settes bort.
- Før oppbevaring og transport av produktet og drivstoff, må du kontrollere at det ikke finnes lekkasjer eller gasser. Gnister eller åpen ild, for eksempel fra elektriske apparater eller varmekjeler, kan starte en brann.
- Bruk alltid godkjente beholdere for oppbevaring og transport av drivstoff.
- Tøm produktet for drivstoff før transport eller før lang tids oppbevaring. Lever drivstoffet hos en returstasjon.
- Fest transportbeskyttelsen under transport og oppbevaring.
- Fjern tennpluggen fra tennpluggen.
- Fest produktet under transport. Kontroller at det ikke kan bevege seg.
- Rengjør og utfør vedlikehold av produktet før lengre tids oppbevaring.

Tekniske data

Tekniske data

	122C	122LK
Motor		
Sylindervolum, cm ³	21,7	21,7
Tomgangsturtall, o/min	2900	2900
Anbefalt maks. turtall, o/min	7200	9100
Turtall på utgående aksel, o/min	7200	6232
Effekt / maks. motoreffekt ifølge ISO 8893, kW/hk ved o/min	0,6/0,8 ved 7800	0,6/0,8 ved 7800

	122C	122LK
Katalysatorlyddemper	Ja	Ja
Turtallsregulert tenningsssystem	Nei	Nei
Tenningsystem		
Tennplugg	HQT-4 672201	HQT-4 672201
Elektrodeavstand, mm	0,5	0,5
Drivstoffsystem		
Drivstofftankvolum, l/cm ³	0,3/300	0,3/300
Vekt		
Vekt uten drivstoff, skjæreutstyr og beskyttelse, kg	4,4	4,8
Støynivå⁵²		
Lydeffektnivå, målt, dB(A)	102	104
Lydeffektnivå, garantert (L_{WA}), dB(A)	104	108
Lydnivåer⁵³		
Ekvivalent lydtrykknivå ved brukernes øre, målt i henhold til EN ISO 11806 og ISO 22868 dB(A):	88	90
Vibrasjonsnivåer⁵⁴		
Ekvivalent vibrasjonsnivå ($a_{hv, eq}$) utstyrt med trimmerhode, venstre håndtak, m/s ²	5,0	3,6
Ekvivalent vibrasjonsnivå ($a_{hv, eq}$) utstyrt med trimmerhode, høyre håndtak, m/s ²	3,6	3,5

Tilbehør

Tilbehør

122C		
Godkjent tilbehør	Type	Beskyttelse for skjæreutstyr
Gjenget riggrør	3/8 R	–

⁵² Utslipp av støy til omgivelsene målt som lydeffekt (L_{WA}) samsvarer med EF-direktiv 2000/14/EF. Rapporterte lydeffektnivåer for produktet er målt med det originale skjæreutstyret som gir høyest nivå. Forskjellen mellom garantert og målt lydeffekt er at garantert lydeffekt også omfatter spredning i måleresultatet og variasjoner mellom forskjellige produkter av samme modell, i henhold til direktivet 2000/14/EF.

⁵³ Rapporterte data for ekvivalent lydtrykknivå for maskinen har en typisk statistisk spredning (standardavvik) på 1 dB(A).

⁵⁴ Rapporterte data for ekvivalent vibrasjonsnivå har en typisk statistisk spredning (standardavvik) på 1 m/s².

Trimmerhode	T25 (Ø 2,0–2,4 mm tråd)	574 47 95-01
	T25C (Ø 2,0–2,7 mm tråd)	
	R25 (Ø 2,0–2,4 mm tråd)	
122LK		
Godkjent tilbehør	Type	Beskyttelse for skjærestyr
Gjenget riggrør	M10	–
Trimmerhode	T25 (Ø 2,0–2,4 mm tråd)	574 19 87-01
	R25 (Ø 2,0–2,4 mm tråd)	

Følgende tilbehør anbefales til modellene under.

Godkjent tilbehør	Type	Brukes til
Rengjøringsbørstetilbehør	SR600-2	122LK
Hekksakstilbehør	HA200	122LK
Hekksakstilbehør	HA860	122LK
Kantskjærertilbehør	ECA850, ESA860	122LK
Sagtilbehør	PA1100	122LK
Utvidelsestilbehør	EX780	122LK
Kultivatortilbehør	CA230	122LK
Blåsertilbehør	BA101	122LK
Børstetilbehør	BR600	122LK
Vertikalskjærertilbehør	DT600	122LK

Samsvarserklæring

EU-samsvarserklæring

Vi, Husqvarna AB, SE-561 82 Huskvarna, Sverige, tlf.:
+46 36 146500, erklærer på eget ansvar at produktet:

Beskrivelse	Bensindrevet gresstrimmer/ryddesag
Merke	Husqvarna
Type/modell	122C, 122LK
ID	Serienummer datert 2022 og senere

fullstendig overholder følgende EU-direktiver og
-forskrifter:

Regulering	Beskrivelse
2006/42/EC	«angående maskiner»
2014/30/EU	«angående elektromagnetisk kompatibilitet»
2000/14/EC	«angående utendørsstøy»
2011/65/EU	«angående begrensning av bruken av bestemte farlige stoffer»

Følgende standarder er blitt brukt:

EN ISO 12100:2010, EN ISO 11806-1:2011, ISO
14982:1998, CISPR 12:2007+A1:2009, EN IEC
63000:2018

RISE SMP Svensk Maskinprovning AB., Box 7035,
SE-750 07 Uppsala, Sweden, har utført frivillig
typeprøving på vegne av Husqvarna AB.

Sertifikatene har nummer: 122C - SEC/10/2271, 122LK -
SEC/10/2272

RISE SMP Svensk Maskinprovning AB, har også
bekreftet samsvar med vedlegg V i rådsdirektiv
2000/14/EF.

Sertifikatene har nummer: 122C - 01/164/068, 122LK -
01/164/067.

Huskvarna 2022-05-13



Claes Losdal, FoU-leder, Husqvarna AB
Ansvarlig for teknisk dokumentasjon



SPIS TREŚCI

Wstęp.....	357	Rozwiązywanie problemów.....	372
Bezpieczeństwo.....	359	Transport i przechowywanie.....	373
Montaż.....	364	Dane techniczne.....	373
Przeznaczenie.....	365	Akcesoria.....	375
Przegląd.....	369	Deklaracja zgodności.....	376

Wstęp

Opis produktu

Ten produkt to podkaszarka do trawy z silnikiem spalinowym.

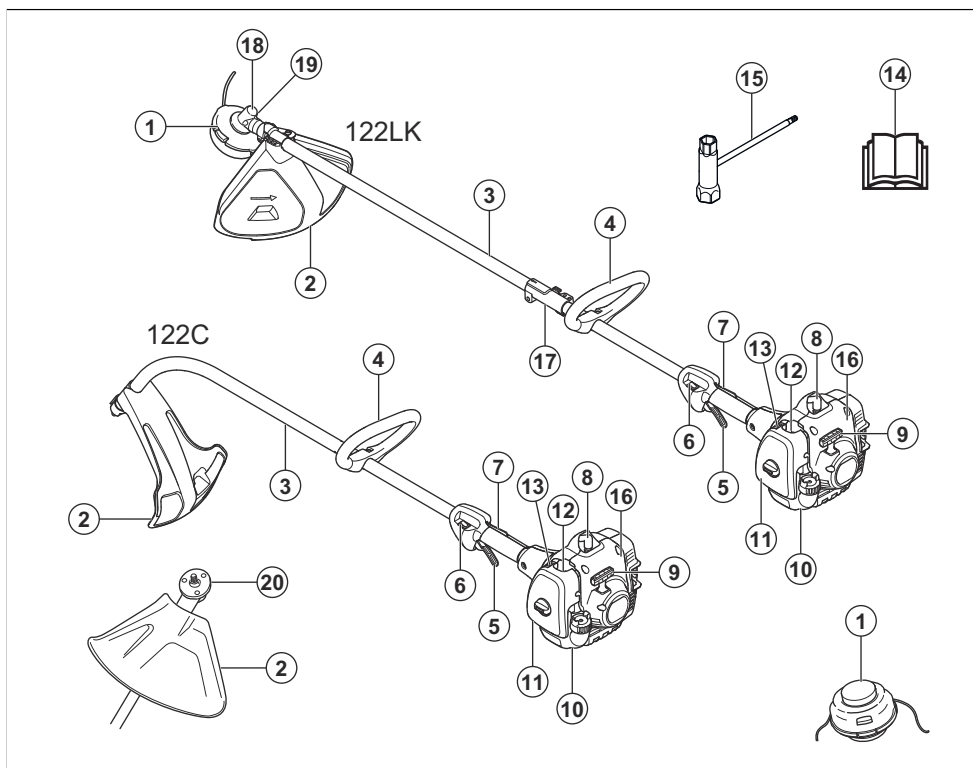
Nieustannie prowadzone są prace w celu zwiększenia bezpieczeństwa użytkownika i wydajności pracy. Dodatkowe informacje można uzyskać w punkcie serwisowym.

Przeznaczenie

Produkt jest używany z głowicą żyłkową do koszenia trawy. Nie używać produktu do innych zadań niż przycinanie trawy i wykaszanie trawy.

Uwaga: Przepisy krajowe mogą ograniczać możliwość użycia tego produktu.

Przegląd produktu



1. Głowica żyłkowa

2. Osłona osprzętu tnącego

3. Wałek

4. Uchwyt pętlowy

5. Spust przepustnicy
6. Wyłącznik
7. Blokada wyzwalaia przepustnicy
8. Fajka świecy i świeca zapłonowa
9. Rączka linki rozrusznika
10. Zbiornik paliwa
11. Pokrywa filtra powietrza
12. Pompka zastrzykowa
13. Dźwignia ssania
14. Instrukcja obsługi
15. Klucz dwustronny
16. Obudowa rozrusznika
17. Złącze wysięgnika
18. Koło zębate stożkowe
19. Uzupełnianie środka smarującego, przekładnia zębata stożkowa
20. Tarcza zabierakowa

Symbole znajdujące się na produkcie



OSTRZEŻENIE! Ten produkt może być niebezpieczny. W następstwie nieuważnej lub nieprawidłowej obsługi może dojść do obrażeń ciała lub śmierci operatora bądź innych osób. Aby zapobiec obrażeniu ciała u operatora oraz osób postronnych, należy przestrzegać wszystkich zasad bezpieczeństwa zawartych w niniejszej instrukcji obsługi.



Przed przystąpieniem do pracy należy dokładnie i ze zrozumieniem zapoznać się z treścią niniejszej instrukcji obsługi.



Stosować kask ochronny w miejscach zagrożonych spadającymi obiektami. Stosować atestowane ochronniki słuchu. Stosować atestowane środki ochrony oczu.



Maksymalna prędkość walka zdawczego.



Produkt jest zgodny z odpowiednimi dyrektywami WE.



Należy pamiętać o niebezpieczeństwie wyrzucania cząstek ciał stałych, które mogą spowodować obrażenia ciała.



Podczas korzystania z produktu należy zachować minimalną odległość 15 m od innych osób lub zwierząt.



Nosić rękawice ochronne.



Stosować mocne, przeciwpoślizgowego obuwie ochronne.



Używać wyłącznie elastycznej żyłki tnącej. Nie używać metalowego osprzętu tnącego.



Etykieta emisji hałasu do środowiska zgodnie z dyrektywami oraz przepisami UE i Wielkiej Brytanii, a także przepisami Nowej Południowej Walii „Protection of the Environment Operations (Noise Control) Regulation 2017”. Gwarantowany poziom mocy akustycznej urządzenia jest określony w *Dane techniczne na stronie 373* oraz na etykiecie.



Gruszka pompki paliwa.



Ssanie.



Ten produkt jest zgodny z przepisami obowiązującymi w Wielkiej Brytanii.

yyyywwxxxx

Tabliczka znamionowa zawiera numer seryjny. **yyyy** to rok produkcji, a **ww** oznacza tydzień produkcji.

Uwaga: Pozostałe symbole/naklejki samoprzylepne umieszczone na produkcie dotyczą wymogów związanych z certyfikatami w innych obszarach komercyjnych.

Emisje Euro V



OSTRZEŻENIE: Ingerencja w silnik powoduje unieważnienie europejskiego zatwierdzenia typu produktu.

Pomoc dla klientów

Pomoc dla klientów można uzyskać pod numerem: 1-800-487-5951 lub odwiedzając stronę www.husqvarna.com.

Odpowiedzialność za produkt

Zgodnie z przepisami dotyczącymi odpowiedzialności za produkt nie ponosimy odpowiedzialności za szkody spowodowane przez nasz produkt, jeśli:

- produkt jest nieprawidłowo naprawiany.
- produkt jest naprawiany przy użyciu części niepochodzących od producenta lub niezatwierdzonych przez producenta.
- produkt jest wyposażony w akcesoria niepochodzące od producenta lub niezatwierdzone przez producenta.
- produkt nie jest naprawiany w autoryzowanym centrum serwisowym lub przez autoryzowaną placówkę.

Bezpieczeństwo

Definicje dotyczące bezpieczeństwa

Ostrzeżenia, uwagi i informacje są używane do zwrócenia uwagi na szczególnie ważne sekcje instrukcji obsługi.



OSTRZEŻENIE: Jest używane, gdy istnieje ryzyko poważnych obrażeń, śmierci operatora lub uszkodzenia otoczenia w wyniku nieprzestrzegania instrukcji obsługi.



UWAGA: Jest używane, gdy istnieje ryzyko uszkodzenia materiałów lub urządzenia w wyniku nieprzestrzegania instrukcji obsługi.

Uwaga: Stosuje się, aby przekazać więcej informacji, które są przydatne w danej sytuacji.

Ogólne zasady bezpieczeństwa



OSTRZEŻENIE: Przed rozpoczęciem użytkowania produktu przeczytać następujące ostrzeżenia.

- Należy prawidłowo używać maszyny. Nieprawidłowe używanie grozi obrażeniami lub śmiercią. Maszyny należy używać wyłącznie do zadań opisanych w niniejszej instrukcji. Nie używać produktu do innych zadań.
- Przestrzegać informacji zawartych w niniejszej instrukcji. Stosować się do symboli i zasad bezpieczeństwa. W przypadku nieprzestrzegania instrukcji i symboli istnieje ryzyko wystąpienia obrażeń, uszkodzeń lub śmierci.
- Nie wolno wyrzucać tej instrukcji. Należy stosować się do instrukcji montażu, obsługi i konserwacji produktu. Należy stosować się do instrukcji montażu osprzętu i akcesoriów. Stosować wyłącznie zatwierdzony osprzęt i akcesoria.
- Nie wolno używać uszkodzonego produktu. Przestrzegać planu konserwacji. Przeprowadzać wyłącznie te prace konserwacyjne, które są opisane

w tej instrukcji. Wszystkie inne prace konserwacyjne muszą być wykonywane przez autoryzowane centrum serwisowe.

- Niniejsza instrukcja nie obejmuje wszystkich sytuacji, które mogą wystąpić podczas używania produktu. Należy zachować ostrożność i kierować się zdrowym rozsądkiem. Nie wolno obsługiwać produktu lub wykonywać prac konserwacyjnych w przypadku braku pewności co do danej sytuacji. Skontaktować się ze specjalistą ds. produktu, dealerem, warsztatem obsługi technicznej lub autoryzowanym centrum serwisowym w celu uzyskania informacji.
- Przed przystąpieniem do montażu lub konserwacji oraz na czas długiego przechowywania maszyny odłączyć świecę zapłonową.
- Nie używać produktu w przypadku zmiany jego początkowych specyfikacji. Nie wymieniać części maszyny bez zgody producenta. Używać wyłącznie części zatwierdzonych przez producenta. Nieprawidłowa konserwacja może doprowadzić do obrażeń lub śmierci.
- Nie wdychać spalin z silnika. Długotrwałe wdychanie spalin silnika stanowi zagrożenie dla zdrowia.
- Nigdy nie włączać urządzenia w pomieszczeniach zamkniętych lub w pobliżu materiałów łatwopalnych. Spaliny mają wysoką temperaturę, a ponadto mogą wraz z nimi wydostawać się iskry, dlatego stanowią zagrożenie pożarowe. Niewystarczający przepływ powietrza może doprowadzić do obrażeń lub śmierci na skutek uduszenia lub zatrucia tlenkiem węgla.
- Podczas używania maszyny silnik wytwarza pole elektromagnetyczne. Może ono spowodować uszkodzenie implantów medycznych. Przed użyciem produktu należy skontaktować się z lekarzem oraz producentem implantu medycznego.
- Nie pozwalać dzieciom używać maszyny. Nie pozwalać osobom nieznającym instrukcji na korzystanie z produktu.
- Należy zawsze kontrolować osobę o ograniczonych możliwościach fizycznych lub umysłowych podczas używania produktu. Zawsze musi jej towarzyszyć odpowiedzialna osoba dorosła.
- Przechowywać maszynę w miejscu niedostępnym dla dzieci i nieuprawnionych osób.
- Maszyna może wyrzucać przedmioty i powodować obrażenia. Należy przestrzegać zasad

bezpieczeństwa, aby zmniejszyć ryzyko odniesienia obrażeń lub śmierci.

- Nie odchodzić od maszyny podczas pracy silnika.
- Operator maszyny jest odpowiedzialny za ewentualne wypadki.
- Przed przystąpieniem do używania produktu upewnić się, że części nie są uszkodzone.
- Zachować odległość co najmniej 15 m (50 stóp) od innych osób lub zwierząt przed przystąpieniem do używania maszyny. Powiadomić osoby przebywające w pobliżu o zamiarze używania maszyny.
- Stosować się do przepisów krajowych lub lokalnych. Mogą one zabraniać lub ograniczać używanie produktu w niektórych sytuacjach.
- Osoba, która jest zmęczona lub pod wpływem alkoholu, narkotyków lub leków nie może obsługiwać urządzenia. Wymienione substancje mogą negatywnie wpływać na wzrok, zdolność oceny sytuacji i panowanie nad wykonywanymi ruchami.

Instrukcje bezpieczeństwa dotyczące montażu



OSTRZEŻENIE: Przed rozpoczęciem użytkowania produktu przeczytać następujące ostrzeżenia.

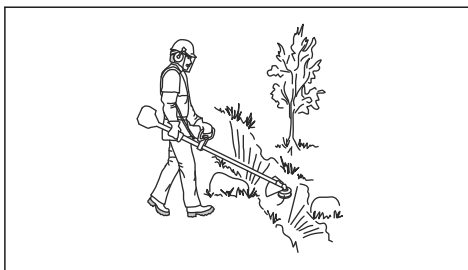
- Przed rozpoczęciem montażu produktu odłączyć fajkę świecy zapłonowej od świecy zapłonowej.
- Stosować rękawice ochronne.
- Przed uruchomieniem silnika upewnić się, że osłona i wałek są zamontowane prawidłowo.

Instrukcje bezpieczeństwa dotyczące obsługi

- Przed przystąpieniem do używania produktu upewnić się, że jest on w pełni zmontowany.
- Przed uruchomieniem odsunąć się na odległość 3 m (10 stóp) od miejsca napełniania zbiornika paliwa. Umieścić maszynę na płaskiej powierzchni. Upewnić się, że osprzęt tnący nie dotyka podłoża lub innego przedmiotu.
- Należy pamiętać o niebezpieczeństwie wyrzucania przedmiotów, które mogą spowodować uszkodzenie wzroku. Podczas używania maszyny zawsze stosować zatwierdzoną osłonę oczu.
- Należy zachować ostrożność, ponieważ dziecko może niezauważenie podejść w pobliże urządzenia podczas jego pracy.
- Nie używać maszyny, jeśli w obszarze pracy znajdują się osoby trzecie. Zatrzymać maszynę, jeśli inna osoba znajdzie się w obszarze pracy.
- Zawsze należy zapewniać kontrolę nad maszyną.
- Nie używać maszyny, jeśli otrzymanie pomocy w razie wypadku będzie niemożliwe. Przed przystąpieniem do używania maszyny należy

zawsze poinformować wszystkich o zamiarze rozpoczęcia pracy.

- Przed obróceniem się z maszyną należy upewnić się, że wszystkie osoby i zwierzęta znajdują się w bezpiecznym obszarze.
- Przed rozpoczęciem pracy usunąć wszystkie niechciane materiały z obszaru pracy. Jeśli osprzęt tnący zderzy się z jakimś przedmiotem, przedmiot ten może zostać wyrzucony i spowodować obrażenia lub straty materialne. Niechciane materiały mogą owinać się wokół osprzętu tnącego i spowodować uszkodzenia.
- Nie należy używać produktu przy złej pogodzie (we mgle, w deszczu, przy silnym wietrze, gdy istnieje prawdopodobieństwo wystąpienia burzy lub innych niekorzystnych zjawisk atmosferycznych). Niebezpieczne sytuacje (np. śliska powierzchnia) mogą być spowodowane złą pogodą.
- Należy zapewnić sobie możliwość swobodnego poruszania i pracy w stabilnej pozycji.



- Należy zabezpieczyć się przed upadkiem podczas używania produktu. Nie pochylać się podczas używania produktu.
- Zawsze należy trzymać maszynę dwiema rękami. Trzymać produkt po prawej stronie tułowia.



- Obsługiwać urządzenie z osprzętem tnącym poniżej pasa.
- Jeśli dźwignia ssania znajduje się w położeniu ssania w momencie uruchomienia silnika, osprzęt tnący zaczyna się obracać.
- Nie dotykać przekładni zębatej stożkowej po zatrzymaniu silnika. Przekładnia zębata stożkowa może być gorąca. Dotknięcie gorącego obszaru może spowodować obrażenia.
- Wyłączyć silnik przed przemieszczeniem maszyny.
- Nie odkładać maszyny podczas pracy silnika.

- Przed usunięciem niechcianych materiałów z maszyny zatrzymać silnik i poczekać na zatrzymanie osprzętu tnącego. Poczekać na zatrzymanie osprzętu tnącego przed usunięciem ciętego materiału.

Środki ochrony osobistej



OSTRZEŻENIE: Przed rozpoczęciem użytkowania produktu przeczytać następujące ostrzeżenia.

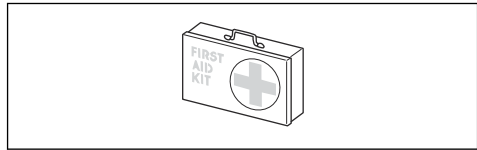
- Podczas używania produktu zawsze nosić na sobie zatwierdzone środki ochrony osobistej. Środki ochrony osobistej nie eliminują ryzyka odniesienia obrażeń, ograniczają natomiast ich rozmiar w razie zaistnienia wypadku. Skorzystaj z pomocy dealera przy wyborze odpowiedniego sprzętu.
- Stosować kask ochronny, gdy zachodzi ryzyko uderzenia spadającymi przedmiotami.
- Stosować ochronnik słuchu o wystarczających właściwościach tłumiących. Długotrwałe przebywanie w hałasie może doprowadzić do trwałej utraty słuchu.
- Stosować atestowane środki ochrony oczu. Używając maski ochronnej twarzy, nosić także zatwierdzone okulary ochronne. Za zatwierdzone okulary ochronne uważane są takie, które są zgodne z normami ANSI Z87.1 dla USA lub EN 166 dla krajów UE.
- Należy używać maski ochronnej twarzy. Maski ochronna twarzy nie chroni wystarczająco oczu.



- W razie potrzeby, na przykład podczas mocowania, badania czy czyszczenia narzędzi tnących, stosować rękawice ochronne.
- Należy nosić trwale, antypoślizgowe obuwie.
- Nosić odzież wykonaną z mocnego materiału. Nosić odzież z długimi nogawkami i długimi rękawami, wykonaną z mocnego materiału. Luźne części odzieży mogą zahaczyć o krzewy lub gałęzie. Nie nosić biżuterii, krótkich spodni ani sandałów i nie pracować z odśloniętymi stopami. Związywać włosy w sposób bezpieczny powyżej poziomu barków.



- Zawsze mieć pod ręką apteczkę pierwszej pomocy.



Zespoły zabezpieczające na urządzeniu

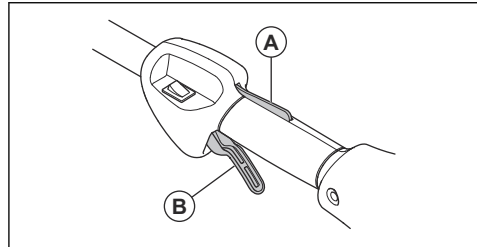


OSTRZEŻENIE: Przed rozpoczęciem użytkowania produktu przeczytać następujące ostrzeżenia.

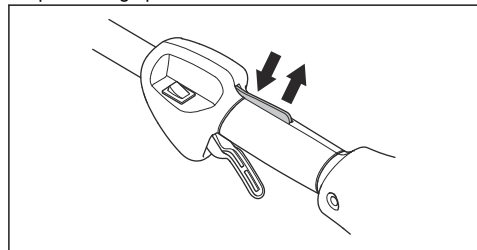
- Nie należy używać maszyny z uszkodzonymi urządzeniami zabezpieczającymi.
- Regularnie przeprowadzać kontrole urządzeń zabezpieczających. Patrz *Plan konserwacji na stronie 369*.
- Jeśli urządzenia zabezpieczające są uszkodzone, skontaktować się z warsztatem obsługi technicznej Husqvarna.

Sprawdzanie blokady dźwigni gazu

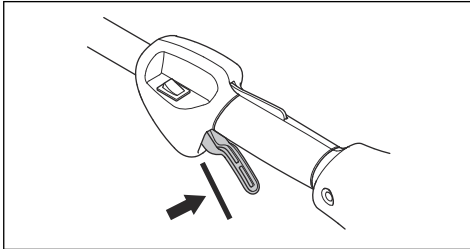
1. Sprawdzić, czy blokada dźwigni gazu (A) i dźwignia gazu (B) poruszają się swobodnie oraz czy sprężyna powrotna działa prawidłowo.



2. Wcisnąć blokadę wyzwolenia przepustnicy i sprawdzić, czy po zwolnieniu powraca ona do pierwotnego położenia.



3. Sprawdzić, czy spust przepustnicy jest zablokowany w położeniu biegu jałowego po zwolnieniu jego blokady.



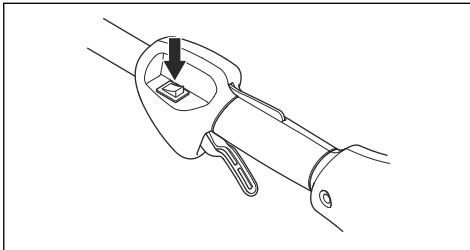
4. Uruchomić produkt i ustawić pełne otwarcie przepustnicy.
5. Zwolnić dźwignię gazu i sprawdzić, czy noże zatrzymują się i pozostają nieruchome.



OSTRZEŻENIE: Jeżeli noże poruszają się, podczas gdy dźwignia gazu znajduje się w położeniu biegu jałowego, należy wyregulować obroty biegu jałowego w gaźniku. Patrz *Regulacja obrotów biegu jałowego na stronie 370.*

Sprawdzanie wyłącznika

1. Uruchomić silnik.
2. Przewrócić wyłącznik do położenia STOP i sprawdzić, czy silnik się zatrzymuje.

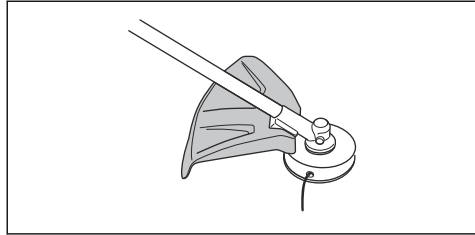


Sprawdzanie osłony osprzętu tnącego

Osłona osprzętu tnącego zatrzymuje obiekty odrzucane w kierunku operatora. Zapobiega również obrażeniom ciała w przypadku dotknięcia do osprzętu tnącego.

1. Zatrzymać silnik.

2. Przeprowadzić kontrolę wzrokową pod kątem uszkodzeń, na przykład pęknięć.



3. Wymienić osłonę osprzętu tnącego, jeśli jest uszkodzona.

Tłumik

- Nie używać silnika z uszkodzonym tłumikiem. Uszkodzony tłumik zwiększa poziom hałasu i ryzyko pożaru. Przechowywać gaśnicę w pobliżu.
- Regularnie sprawdzać, czy tłumik jest przymocowany do maszyny.
- Nie dotykać silnika ani tłumika podczas pracy silnika. Nie dotykać silnika ani tłumika przez pewien czas po zatrzymaniu silnika. Dotknięcie gorącej powierzchni może spowodować obrażenia.
- Gorący tłumik może wywołać pożar. Należy zachować ostrożność w przypadku używania produktu w pobliżu łatwopalnych cieczy lub oparów.
- Nie dotykać części tłumika, jeśli jest on uszkodzony. Części mogą zawierać rakotwórcze środki chemiczne.

Osprzęt tnący



OSTRZEŻENIE: Przed rozpoczęciem użytkowania produktu przeczytać następujące ostrzeżenia.

- Wykonywać regularne prace konserwacyjne. Autoryzowane centrum serwisowe powinno regularnie sprawdzać osprzęt tnący w celu przeprowadzenia regulacji lub napraw.
 - Wzrasta wydajność osprzętu tnącego.
 - Wydłuża się żywotność osprzętu tnącego.
 - Zmniejsza się ryzyko wypadków.
- Używać wyłącznie zatwierdzonej osłony osprzętu tnącego. Patrz *Akcesoria na stronie 375.*
- Nie wolno używać uszkodzonego osprzętu tnącego.

Zasady bezpieczeństwa dotyczące paliwa



OSTRZEŻENIE: Przed rozpoczęciem użytkowania produktu przeczytać następujące ostrzeżenia.

- Nie mieszać paliwa wewnątrz pomieszczeń ani w pobliżu źródła ciepła.

- Nie uruchamiać produktu, jeśli znajduje się na nim paliwo lub olej silnikowy. Usunąć zabrudzenia paliwem/olejem i odczekać, aż produkt wyschnie. Usunąć niepożądane paliwo z produktu.
- W przypadku rozlania paliwa na ubranie należy je natychmiast zmienić.
- Nie dopuścić do kontaktu paliwa z ciałem, ponieważ może to spowodować obrażenia. Jeśli dojdzie do kontaktu paliwa z ciałem, zmyć paliwo używając wody z mydłem.
- Nie uruchamiać silnika, jeśli doszło do rozlania paliwa lub oleju na maszynę lub na ciało.
- Nie uruchamiać maszyny, jeśli silnik jest nieszczelny. Regularnie sprawdzać silnik pod kątem nieszczelności.
- Zachować ostrożność przy pracy z paliwem. Paliwo jest łatwopalne, a jego opary mogą wybuchnąć, powodując obrażenia lub śmierć.
- Nie wdychać oparów paliwa, ponieważ może to być groźne dla zdrowia lub życia. Zapewnić odpowiednią wentylację.
- Nie palić tytoniu w pobliżu paliwa lub silnika.
- Nie umieszczać gorących przedmiotów w pobliżu paliwa lub silnika.
- Nie dolewać paliwa podczas pracy silnika.
- Przed tankowaniem upewnić się, że silnik jest zimny.
- Przed tankowaniem pomału odkręcić korek zbiornika paliwa i ostrożnie zwolnić ciśnienie.
- Zapewnić odpowiednią wentylację podczas tankowania i przygotowywania mieszanki paliwa do silników dwusuwowych (benzyna i olej do dwusuwów) lub opróżniania zbiornika paliwa.
- Paliwo i jego opary są bardzo łatwopalne. Wdychanie oparów paliwa lub kontakt paliwa ze skórą może doprowadzić do poważnych obrażeń. Podczas postępowania z paliwem należy zachować ostrożność i zapewnić odpowiednią wentylację.
- Dokładnie dokręcić korek zbiornika paliwa, aby nie dopuścić do pożaru.
- Przed uruchomieniem przesunąć produkt o co najmniej 3 m (10 stóp) od miejsca, w którym było dolewane paliwo.
- Nie wlewać zbyt dużo paliwa do zbiornika.
- Podczas ruchu produktu lub pojemnika na paliwo istnieje niebezpieczeństwo wycieku paliwa. Podjąć odpowiednie działania, aby nie dopuścić do wycieku.
- Nie umieszczać produktu lub pojemnika na paliwo w pobliżu otwartego płomienia, iskry lub płomienia zapłonowego. Należy upewnić się, że w miejscu przechowywania nie ma źródła otwartego płomienia.
- Do transportu i przechowywania paliwa należy używać wyłącznic zatwierdzonych zbiorników.
- Opróżnić zbiornik paliwa przed długim przechowywaniem. Przestrzegać lokalnych przepisów dotyczących utylizacji paliwa.

- Wyczyścić maszynę przed długim przechowywaniem.
- Odłączyć fajkę świecy zapłonowej przed przechowywaniem produktu, aby uniemożliwić przypadkowe uruchomienie silnika.

Instrukcje bezpieczeństwa dotyczące konserwacji



OSTRZEŻENIE: Przed rozpoczęciem użytkowania produktu przeczytać następujące ostrzeżenia.

- Wyłączyć silnik, upewnić się, że osprzęt tnący zatrzymał się i poczekać, aż urządzenie ostygnie przed przystąpieniem do konserwacji.
- Przed przystąpieniem do konserwacji odłączyć fajkę świecy zapłonowej.
- Spaliny z silnika zawierają tlenek węgla, który jest bezwonny, trujący oraz niebezpiecznym gazem i może spowodować śmierć. Nie uruchamiać maszyny w pomieszczeniach ani zamkniętych przestrzeniach.
- Spaliny silnikowe mają wysoką temperaturę i mogą zawierać iskry. Nigdy nie włączaj urządzenia w pomieszczeniach zamkniętych ani w pobliżu materiałów łatwopalnych.
- Niezatwierdzone przez producenta akcesoria i modyfikacje maszyny mogą spowodować poważne obrażenia lub śmierć. Nie należy modyfikować maszyny. Zawsze należy korzystać z oryginalnych akcesoriów.
- W przypadku nieprawidłowo lub nieregularnie przeprowadzanej konserwacji wzrasta ryzyko obrażeń oraz uszkodzenia produktu.
- Konserwację należy przeprowadzać wyłącznie w sposób określony w niniejszej instrukcji użytkownika. Zlecić autoryzowanemu warsztatowi obsługi technicznej Husqvarna wykonanie pozostałych czynności serwisowych.
- Należy dopilnować przeprowadzania regularnej konserwacji maszyny przez autoryzowany serwis Husqvarna.
- Wymienić uszkodzone, zużyte lub zniszczone części.
- Procedura prawidłowego doboru średnicy żyłki podkaszarki i jej zakładania znajduje się w instrukcjach dotyczących osprzętu tnącego.
- Zęby tnące ostrza powinny być odpowiednio naostrzone. Należy stosować się do naszych instrukcji. Patrz także instrukcja na opakowaniu ostrza.

Montaż

Wstęp



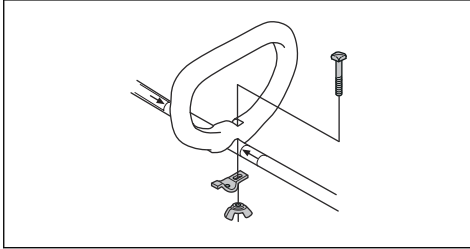
OSTRZEŻENIE: Przed złożeniem produktu należy przeczytać ze zrozumieniem rozdział poświęcony bezpieczeństwu.



OSTRZEŻENIE: Przed rozpoczęciem montażu produktu odłączyć przewód świecy zapłonowej od świecy zapłonowej.

Mocowanie uchwyty pałkowego

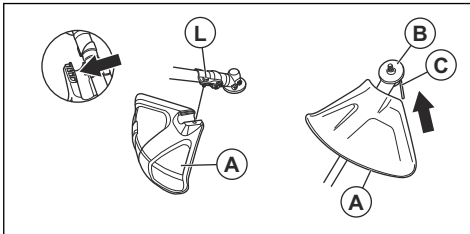
1. Przymocować uchwyt pałkowy do wału zgodnie z ilustracją i dokręcić.



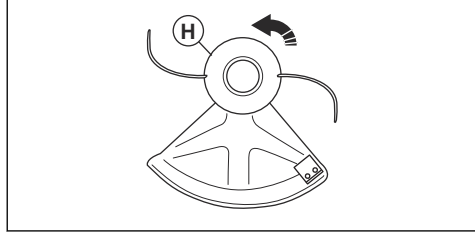
2. Należy upewnić się, że uchwyt pałkowy jest zamontowany między strzałkami znajdującymi się na wałku.

Montaż osłony osprzętu tnącego i głowicy żyłkowej (wałek prosty)

1. Przymocować osłonę osprzętu tnącego (A) do wałka za pomocą śruby (L).
2. Przymocować tarczę zbierakową (B) do wałka zdawczego.
3. Obrócić wałek zdawczy tak, aby otwór tarczy zbierakowej wyrównał się z otworem w obudowie przekładni.
4. Umieścić niewielki wkrętak (C) w otworze, aby zablokować wałek.

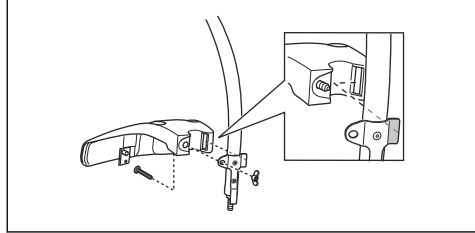


5. Obrócić głowicę żyłkową (H) w lewo, aby dokręcić ją do skrzyni biegów. (Lewe gwinty).

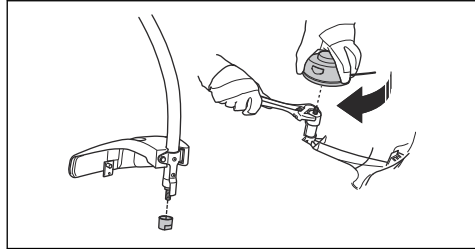


Montaż osłony osprzętu tnącego i głowicy żyłkowej (wałek zakrzywiony)

1. Przymocować osłonę. Dokręcić nakrętkę.



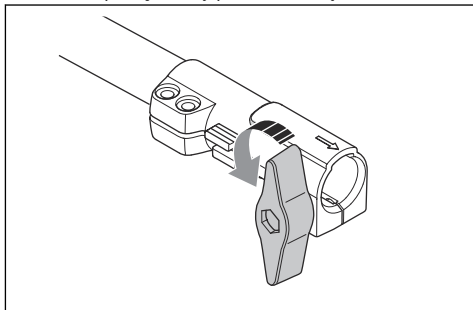
2. Przymocować osłonę przeciwpylową na osi dźwaka.



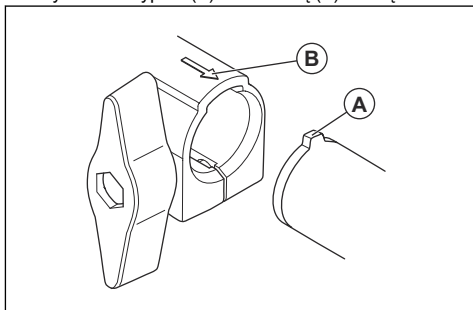
3. Przytrzymać pokrywę przeciwpylową kluczem nastawnym, aby nie dopuścić do obrócenia się wałka.
4. Przymocować głowicę żyłkową do wałka. Obrócić głowicę żyłkową w prawo.

Montaż wałka dwuczęściowego

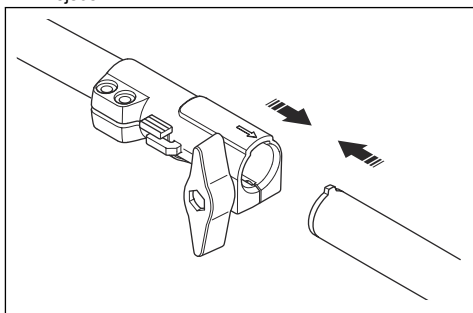
1. Obrócić pokrętko, aby poluzować złącze.



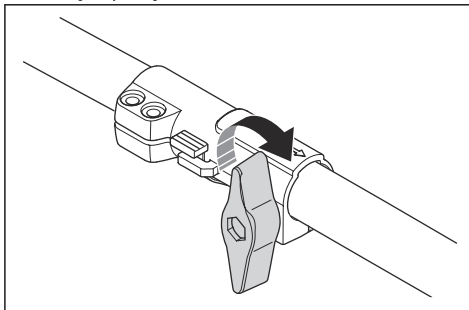
2. Wyrównać wypust (A) ze strzałką (B) na złączu.



3. Wcisnąć wałek w złącze, tak aby wskoczył na swoje miejsce.

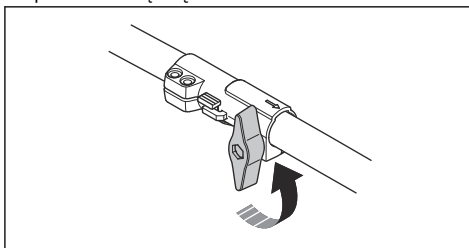


4. Dokręcić pokrętko do końca.

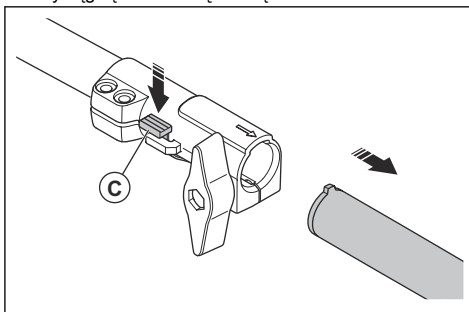


Demontaż wałka dwuczęściowego

1. Obrócić pokrętko o 3 obroty lub więcej, aby poluzować złączkę.



2. Wcisnąć i przytrzymać przycisk (C).
3. Przytrzymać mocno końcówkę wałka, do którego jest przymocowany silnik.
4. Wyciągnąć końcówkę ze złączki.



Przeznaczenie

Wstęp



OSTRZEŻENIE: Przed użyciem urządzenia należy przeczytać ze zrozumieniem rozdział poświęcony bezpieczeństwu.

Paliwo

Produkt jest wyposażony w silnik dwusuwowy.



UWAGA: Nieprawidłowy rodzaj paliwa może doprowadzić do uszkodzenia silnika. Używać mieszanki benzyny i oleju do silników dwusuwowych.

Wstępnie wymieszane paliwo

- W celu zapewnienia najlepszej wydajności i wydłużenia żywotności silnika należy używać wstępnie wymieszanego paliwa alkiliowego Husqvarna. Takie paliwo zawiera mniej szkodliwych substancji chemicznych w porównaniu z tradycyjnym paliwem, dzięki czemu wytwarza mniej szkodliwych gazów wydechowych. Ilość pozostałości po spaleniu tego paliwa jest mniejsza, co zapewnia większą czystość elementów silnika.

Mieszanie paliwa

Benzyna

- Należy używać wysokiej jakości benzyny bezołowiowej o maks. 10% zawartości etanolu.



UWAGA: Nie używać benzyny o liczbie oktanowej niższej niż 90 RON/87 AKI. Używanie benzyny o niższej liczbie oktanowej może powodować odgłosy stukania i prowadzić do uszkodzenia silnika.

Olej do silników dwusuwowych

- Aby uzyskać najlepsze wyniki i wydajność, należy używać oleju do silników dwusuwowych Husqvarna.
- Jeśli olej Husqvarna do silników dwusuwowych nie jest dostępny, należy użyć dobrej jakości oleju do silników dwusuwowych chłodzonych powietrzem. Skontaktować się z dealerem ds. serwisu w celu wybrania właściwego oleju.



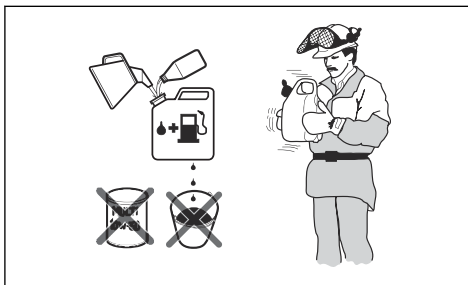
UWAGA: Nigdy nie używaj oleju do silników dwusuwowych przeznaczonego do chłodzonych wodą, zaburtowych silników do łodzi. Nie używać oleju przeznaczonego do silników czterosuwowych.

Mieszanie benzyny i oleju do silników dwusuwowych

Benzyna, w litrach	Olej do silników dwusuwowych, w litrach
	2% (50:1)
5	0,10
10	0,20
15	0,30
20	0,40



UWAGA: Podczas mieszania małych ilości paliwa niewielkie błędy mogą mieć znaczny wpływ na proporcje mieszanki. W celu uzyskania prawidłowej mieszanki należy dokładnie odmierzyć ilość dodawanego oleju.



- Wlać połowę objętości benzyny do czystego pojemnika na paliwo.
- Wlać pełną ilość oleju.
- Wymieszać dokładnie paliwo z olejem, potrząsając pojemnikiem.
- Dodać pozostałą objętość benzyny do pojemnika.
- Wymieszać dokładnie paliwo z olejem, potrząsając pojemnikiem.



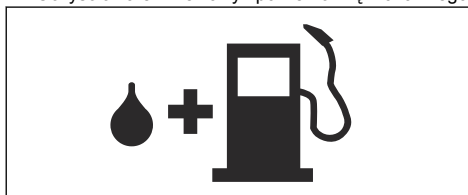
UWAGA: Nie mieszać jednorazowo większej ilości paliwa niż wymagana na 1 miesiąc pracy.

Napełnianie zbiornika paliwa



OSTRZEŻENIE: Należy przestrzegać następującej procedury w celu zapewnienia bezpieczeństwa użytkownika.

- Wyłączyć silnik i poczekać, aż ostygnie.
- Oczyszczyć korek wlewowy i powierzchnię wokół niego.



- Wstrząsnąć pojemnikiem i upewnić się, że paliwo jest dobrze wymieszane.
- Wyjąć korek zbiornika paliwa w celu wyrównania ciśnienia.
- Napełnianie zbiornika paliwa.



UWAGA: Upewnić się, że w zbiorniku paliwa nie ma zbyt dużo paliwa. Paliwo rozszerza się po nagrzaniu.

6. Ostrożnie dokręcić korek zbiornika paliwa.
7. Usunąć rozlane paliwo z produktu i jego otoczenia.
8. Przed uruchomieniem silnika należy przenieść produkt na odległość 3 m/10 stóp lub więcej od miejsca tankowania i przechowywania paliwa.

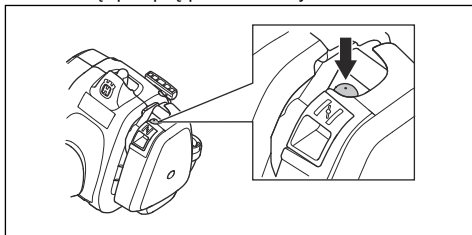
Uwaga: Aby sprawdzić, gdzie w produkcie znajduje się zbiornik paliwa, patrz *Przegląd produktu na stronie 357*.

Sprawdzenie przed uruchomieniem

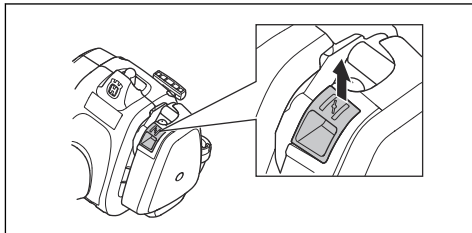
1. Upewnić się, że produkt nie ma brakujących, uszkodzonych, luźnych ani zużytych części.
2. Upewnić się, że wszystkie nakrętki, śruby i wkręty są dokręcone.
3. Upewnić się, że głowica żyłkowa nie jest uszkodzona.
4. Upewnić się, że filtr powietrza nie jest zatkany.
5. Sprawdzić, czy urządzenia zabezpieczające są sprawne.
6. Upewnić się, że nie ma wycieków paliwa w produkcie.

Uruchamianie zimnego silnika

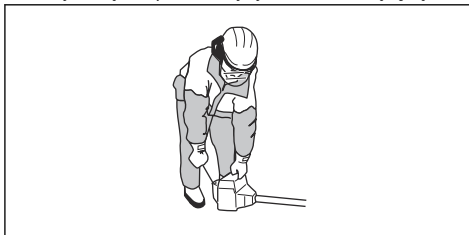
1. Nacisnąć pompkę paliwa 10 razy.



2. Ustawić dźwignię ssania w położeniu włączenia.



3. Przycisnąć korpus maszyny do ziemi lewą ręką.



UWAGA: Nie stawać na produkcie.

4. Powoli pociągać linkę rozrusznika prawą ręką aż do wycucia oporu. Następnie szybko i mocno pociągać linkę rozrusznika do momentu, aż silnik zostanie uruchomiony lub będzie próbował zaskoczyć.



OSTRZEŻENIE: Nie owijać linki rozrusznika wokół dłoni.

5. Ustawić dźwignię ssania w położeniu roboczym.
6. Jeśli silnik uruchomi się, lekko nacisnąć manetkę gazu i pozwolić silnikowi pracować przez 60 sekund, aby się rozgrzał. Jeśli silnik nie uruchamia się, pociągać linkę rozrusznika aż do uruchomienia silnika. Następnie lekko nacisnąć manetkę gazu i pozwolić silnikowi pracować przez 60 sekund, aby się rozgrzał.



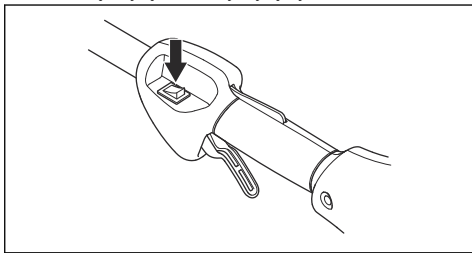
UWAGA: Nie ciągnąć linki rozrusznika do pełnego wysunięcia i nie puszczać uchwytu rozrusznika. Niezastosowanie się do tego zalecenia może spowodować uszkodzenie produktu. Powoli zwolnić linkę rozrusznika.

Uruchamianie rozgrzanego silnika

1. Nacisnąć pompkę paliwa 10 razy.
2. Pociągnąć linkę rozrusznika, aż silnik zacznie pracować.

Wyłączanie produktu

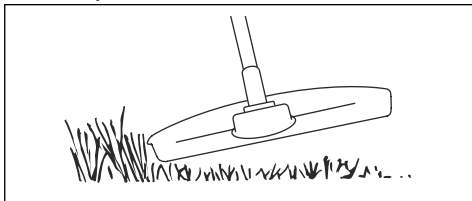
- Nacisnąć wyłącznik, aby wyłączyć silnik.



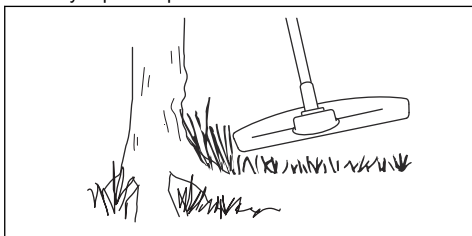
Uwaga: Wyłącznik automatycznie powraca do położenia początkowego.

Podkaszanie trawy

1. Trzymać głowicę żyłkową tuż nad ziemią, przechylając ją lekko pod kątem. Nie dociskać żyłki do trawy.



2. Zmniejszyć długość żyłki o 10–12 cm / 4–4,75 cala.
3. Zmniejszyć prędkość obrotową silnika, aby zmniejszyć ryzyko uszkodzenia roślin.
4. Wykorzystać przepustnicę w 80% podczas koszenia trawy w pobliżu przedmiotów.



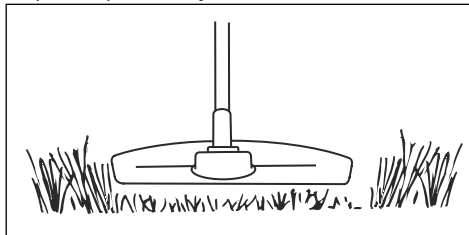
Oczyszczanie trawy tarczą tnącą do trawy

1. Do wykaszania zdrewniałych łodyg nie wolno używać ostrzy do trawy i noży do trawy.
2. Do wszystkich rodzajów wysokiej i bujnej trawy stosuje się ostrze do trawy.

3. Trawę kosi się, prowadząc ostrze w kierunku bocznym, w tę i z powrotem, przy czym ruch od prawej strony do lewej jest ruchem koszącym, a od lewej do prawej — ruchem powrotnym. Cięcie powinno odbywać się lewą stroną ostrza (tą jego częścią, która odpowiada odcinkowi między godziną 8 i 12 na tarczy zegara).
4. Pochylenie tarczy nieco w lewo w trakcie koszenia powoduje układanie się ściętej trawy w równych pokosach, co ułatwia późniejsze jej zbieranie, np. grabienie.
5. Należy dążyć do wykonywania rytmicznych ruchów przy pracy. Stać należy pewnie, na lekko rozstawionych nogach. Po wykonaniu ruchu powrotnego zrobić krok do przodu i stanąć ponownie w stabilnej pozycji.
6. Talerz dystansowy powinien lekko przylegać do ziemi. Chroni on ostrze przed zagłębianiem się w ziemię.
7. Aby zmniejszyć ryzyko owijania się skoszonej trawy wokół ostrza, zawsze stosować pełny gaz i unikać wcześniej ściętego materiału podczas ruchu powrotnego.
8. Przed przystąpieniem do zbierania skoszonej trawy należy wyłączyć silnik, rozpiąć uprząż i ustawić maszynę na ziemi.

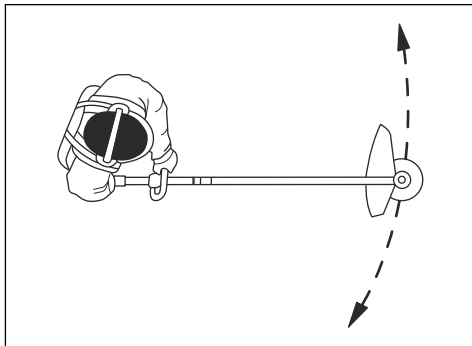
Koszenie trawy

1. Upewnić się, że żyłka jest ustawiona równoległe do podłoża podczas cięcia.



2. Nie dociskać głowicy żyłkowej do ziemi. Niezastosowanie się do tego zalecenia może spowodować uszkodzenie produktu.

3. Podczas koszenia trawy należy przemieszczać produkt z boku na bok. Pracować przy pełnych obrotach.



Zamiatanie trawy

Strumień powietrza wytwarzany przez obracającą się głowicę żyłkową można wykorzystać do usuwania skoszonoj trawy z danego obszaru.

1. Trzymać głowicę żyłkową oraz żyłkę równolegle nad podłożem.
2. Włączyć pełen gaz.
3. Przesuwać głowicę żyłkową z boku na bok, aby zamieść trawę.



OSTRZEŻENIE: Wyczyścić pokrywę głowicy żyłkowej po każdym założeniu nowej żyłki, aby zapewnić prawidłowe wyważenie i zapobiec drganiu uchwytów. Sprawdzić pozostałe elementy głowicy żyłkowej i wyczyścić w razie potrzeby.

Głowica żyłkowa do trawy

- Ciąsno i równo owinąć żyłkę do wykaszania trawy wokół bębna, aby zmniejszyć drgania.
- Używać wyłącznie zatwierdzonych głowic żyłkowych do trawy i żyłek do wykaszania trawy. Patrz *Akcesoria na stronie 375*.
- Używać żyłek do wykaszania trawy o odpowiedniej długości. Długa żyłka wymaga większej mocy silnika niż krótka żyłka.
- Upewnić się, że przecinacz na osłonie osprzętu tnącego nie jest uszkodzony.
- Pozostawić żyłkę do wykaszania trawy w wodzie na 2 dni przed jej montażem w produkcie. Wydłuży to czas jej eksploatacji.
- Odnośnie do zakładania żyłki oraz wyboru żyłki o prawidłowej średnicy patrz instrukcje producenta dot. osprzętu tnącego.

Przegląd

Wstęp



OSTRZEŻENIE: Przed przeprowadzeniem konserwacji należy przeczytać i zrozumieć rozdział o bezpieczeństwie.

Do wykonywania wszelkich prac serwisowych i naprawczych konieczne jest specjalistyczne przeszkolenie. Gwarantujemy dostępność profesjonalnych napraw i usług serwisowych. Jeśli dany dealer nie jest autoryzowanym punktem serwisowym, poproś sprzedawcę o informacje na temat najbliższego autoryzowanego punktu serwisowego.

Plan konserwacji

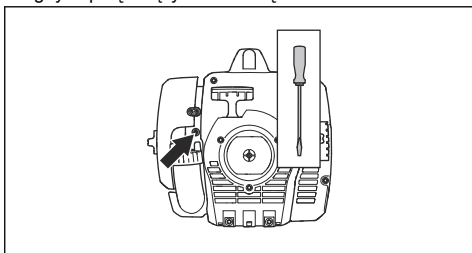
Przegląd	Codziennie	Co tydzień	Co miesiąc
Oczyścić powierzchnię zewnętrzną.	X		
Wyczyścić filtr powietrza. Wymienić w razie potrzeby.	X		
Sprawdzić działanie blokady dźwigni gazu i przepustnicy.	X		
Sprawdzić wyłącznik.	X		
Sprawdzić osłony.	X		
Sprawdzić głowicę żyłkową.	X		
Sprawdzić przeciwnakrętkę.	X		
Sprawdzić, czy nie ma wycieków paliwa.	X		

Przegląd	Codzienne	Co tydzień	Co miesiąc
Upewnić się, że tarcza tnąca do trawy jest wyśrodkowana, ostra i nie ma widocznych uszkodzeń ani na ostrzu, ani w okolicy środka tarczy.	X		
Sprawdzić, czy osprzęt tnący się nie obraca, gdy silnik pracuje na biegu jałowym.	X		
Nasmarować wałek dwuczęściowy		X	
Sprawdzić rączkę linka rozrusznika oraz linkę rozrusznika.		X	
Sprawdzić smar przekładni zębatej stożkowej.		X	
Oczyszczyć świecę zapłonową z zewnątrz. Zdemonstrować świecę zapłonową i zmierzyć odstęp między elektrodami. Wyregulować odstęp między elektrodami lub wymienić świecę zapłonową.		X	
Oczyszczyć system chłodzący.		X	
Oczyszczyć lub wymienić chwytacz iskiei.		X	
Wyczyścić zewnętrzną powierzchnię gaźnika oraz przestrzeń wokół gaźnika.		X	
Sprawdzić filtr paliwa pod kątem zanieczyszczeń.			X
Sprawdzić przewód paliwowy pod kątem uszkodzeń.			X
Sprawdzić stan wszystkich przewodów i połączeń.			X
Sprawdzić stopień zużycia sprzęgła, sprężyn sprzęgła i bębna sprzęgła.			X
Wymienić świecę zapłonową.			X

Regulacja obrotów biegu jałowego

Przed regulacją obrotów biegu jałowego sprawdzić, czy filtr powietrza jest czysty i przymocować pokrywę filtra powietrza.

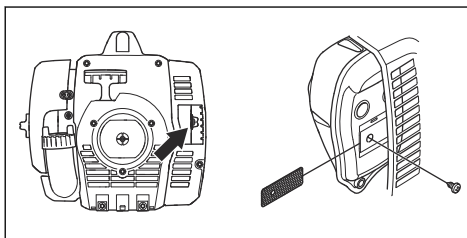
1. Obracać śrubę regulacji obrotów biegu jałowego, która jest oznaczona znakiem T, w prawo do chwili, gdy osprzęt tnący zacznie się obracać.



2. Obracać śrubę regulacji obrotów biegu jałowego, która jest oznaczona znakiem T, w lewo do chwili, gdy osprzęt tnący się zatrzyma.
3. Wartość obrotów biegu jałowego powinna być niższa od prędkości obrotowej osprzętu tnącego w momencie rozpoczęcia obrotów. Obroty jałowe ustawione są prawidłowo, jeżeli silnik pracuje płynnie w każdym położeniu.

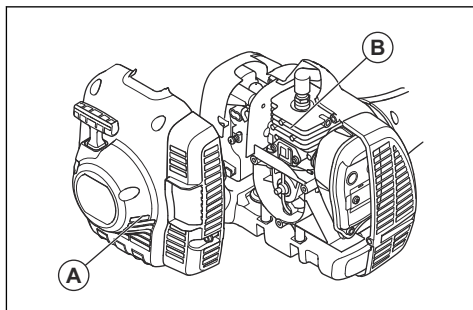
Konserwacja chwytacza iskiei

- Użyć szczotki drucianej do czyszczenia chwytacza iskiei.



Czyszczenie układu chłodzenia

- Wyczyścić wlot powietrza (A) na rozruszniku oraz zebra chłodzące (B) na cylindrze za pomocą szczotki.



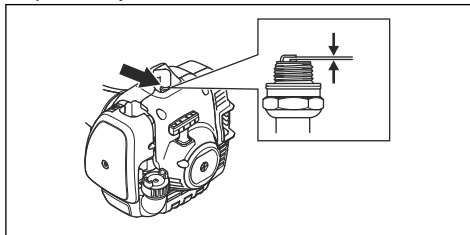
Sprawdzanie świecy zapłonowej



UWAGA: Używać zalecanej świecy zapłonowej. Upewnić się, że część zamienna jest taka sama, jak część dostarczona przez producenta. Nieprawidłowa świeca zapłonowa może doprowadzić do uszkodzenia maszyny. Upewnić się, czy świeca zapłonowa jest wyposażona w tzw. eliminator zakłóceń radiowych. Dodatkowe informacje można uzyskać w centrum serwisowym.

- Sprawdzić świecę zapłonową w poniższych sytuacjach:
 - Silnik ma mało mocy.
 - Silnik trudno się uruchamia.
 - Silnik nie działa prawidłowo przy obrotach biegu jałowego.
- Jeśli silnik trudno się uruchamia lub nie działa prawidłowo, sprawdzić świecę zapłonową pod kątem niepożądanych materiałów. Aby zmniejszyć ryzyko przedostawania się niepożądanych materiałów na elektrody świecy zapłonowej:
 - dopilnować, by obroty biegu jałowego zostały prawidłowo wyregulowane.
 - Dopilnować, aby używana była odpowiednia mieszanka paliwowa.
 - Zadbać o czystość filtra powietrza.

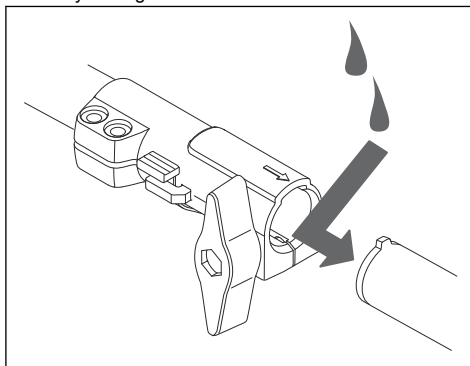
- Wyczyścić świecę zapłonową, jeśli jest brudna. Upewnić się, że odstęp między elektrodami jest prawidłowy. Patrz *Dane techniczne na stronie 373*.



- W razie potrzeby wymienić świecę zapłonową.

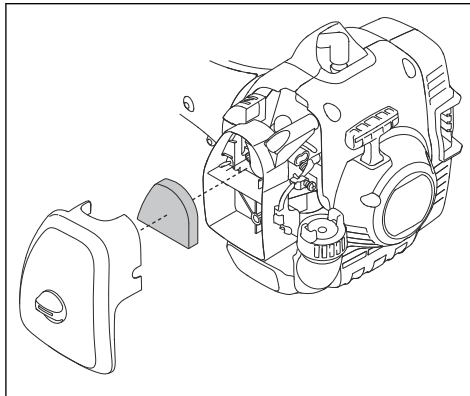
Smarowanie wałka dwuczęściowego

- Należy smarować końcówkę wałka napędowego po każdym 30 godzinach działania.



Czyszczenie filtra powietrza

- Zdjąć pokrywę filtra powietrza i wyjąć filtr powietrza.



- Oczyścić filtr powietrza ciepłą wodą z mydłem. Przed zamontowaniem filtra poczekać na jego wyschnięcie.

3. Wymienić filtr powietrza, jeśli jest zbyt brudny, aby całkowicie go wyczyścić. Zawsze wymieniać uszkodzony filtr powietrza.
4. Jeśli maszyna jest wyposażona w piankowy filtr powietrza, stosować olej do filtrów powietrza. Oleju do filtrów powietrza należy używać wyłącznie do filtrów piankowych. Nie stosować oleju do filtrów filcowych.

Stosowanie oleju do filtrów powietrza

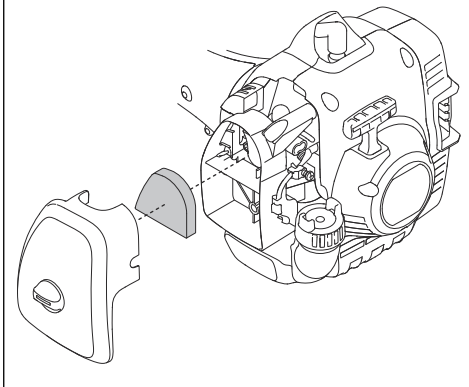


UWAGA: W przypadku piankowych filtrów powietrza zawsze należy stosować specjalny olej do filtrów powietrza. Nie używać innych rodzajów olejów.

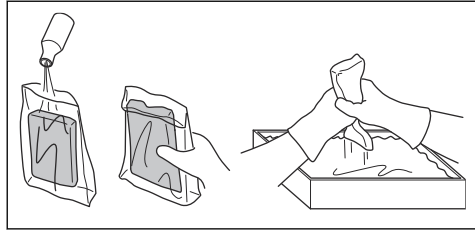


OSTRZEŻENIE: Nie rozlać oleju na ciało.

1. Zdjąć pokrywę filtra powietrza i wyjąć filtr powietrza.



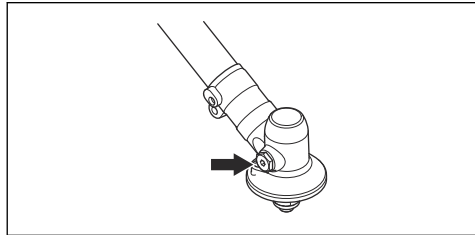
2. Umieścić filtr powietrza w plastikowej torbie.
3. Wlać olej do filtra powietrza do plastikowej torby.



4. Docisnąć plastikową torbę, aby olej rozprzestrenił się równo po całym filtrze.
5. Nacisnąć filtr powietrza w torbie, aby usunąć zbędny olej. Wyjąć filtr powietrza z torby.
6. Zamontować filtr powietrza.

Smarowanie przekładni zębatej stożkowej

- Upewnić się, że przekładnia zębata stożkowa jest napełniona w $\frac{3}{4}$ smarem.



Rozwiązywanie problemów

Silnik nie uruchamia się

Sprawdzić	Prawdopodobna przyczyna	Sposób postępowania
Zapadki rozrusznika.	Zapadki rozrusznika nie są w stanie się swobodnie poruszać.	Wymontować pokrywę rozrusznika i wyczyścić obszar wokół zapadek rozrusznika. Należy zasięgnąć pomocy w autoryzowanym warsztacie obsługi technicznej.
Zbiornik paliwa.	Niewłaściwy rodzaj paliwa.	Opróżnić zbiornik paliwa i napełnić go odpowiednim paliwem.

Sprawdzić	Prawdopodobna przyczyna	Sposób postępowania
świeca zapłonowa,	Świeca zapłonowa jest zabrudzona lub wilgotna.	Sprawdź, czy świeca zapłonowa jest sucha i czysta.
	Odstęp między elektrodami świecy zapłonowej jest nieprawidłowy.	Wyczyścić świecę zapłonową. Upewnić się, że odstęp między elektrodami jest prawidłowy. Upewnić się, że świeca zapłonowa jest wyposażona w opornik przeciwzakłóceniuowy. Aby uzyskać informacje na temat właściwego odstępu między elektrodami, patrz <i>Dane techniczne na stronie 373</i> .
	Poluzowana świeca zapłonowa.	Dokręcić świecę zapłonową.

Silnik odpala i gaśnie

Sprawdzić	Prawdopodobna przyczyna	Sposób postępowania
Zbiornik paliwa	Niewłaściwy rodzaj paliwa.	Opróżnić zbiornik paliwa i napełnić go odpowiednim paliwem.
Filtr powietrza	Filtr powietrza jest niedrożny.	Czyszczenie filtra powietrza.

Transport i przechowywanie

- Przed odstawieniem produktu do przechowywania poczekać, aż produkt ostygnie.
- W zakresie przechowywania i transportu maszyny i paliwa należy upewnić się, że nie ma żadnych przecieków ani nie wydostają się z urządzenia żadne opary. Iskry lub otwarty płomień pochodzące, na przykład, z urządzeń elektrycznych lub kotłów, mogą wzniecić pożar.
- Zawsze należy korzystać z zatwierdzonych pojemników do przechowywania i transportu paliwa.
- Przed transportem lub przed dłuższym okresem przechowywania należy spuścić paliwo. Utylizacja paliwa musi odbywać się w odpowiednim miejscu.
- Przymocować osłonę transportową na czas transportu i przechowywania.
- Odłączyć fajkę świecy zapłonowej od świecy.
- Przymocować produkt podczas transportu. Upewnić się, że nie może się poruszać.
- Wyczyścić/przeprowadzić czynności konserwacyjne przed długim przechowywaniem.

Dane techniczne

Dane techniczne

	122C	122LK
Silnik		
Pojemność skokowa, cm ³	21,7	21,7
Obroty na biegu jałowym, obr./min	2900	2900

	122C	122LK
Zalecane maks. nadobroty, obr./min	7200	9100
Obroty wałka zdawczego, obr./min.	7200	6232
Moc / maks. moc silnika zgodnie z ISO 8893, kW/KM przy obr./min	0,6/0,8 przy 7800	0,6/0,8 przy 7800
Tłumik z katalizatorem	Tak	Tak
Układ zapłonowy z regulacją obrotową	Nie	Nie
Układ zapłonowy		
Świeca zapłonowa	HQT-4 672201	HQT-4 672201
Odstęp między elektrodami, w mm	0,5	0,5
Układ paliwowy		
Pojemność zbiornika paliwa, l/cm ³	0,3/300	0,3/300
Waga		
Ciężar bez paliwa, osprzętu tnącego i osłony, kg	4,4	4,8
Emisja hałasu ⁵⁵		
Poziom mocy akustycznej, zmierzony, dB(A)	102	104
Poziom głośności, gwarantowana moc akustyczna (L _{WA}), dB(A)	104	108
Poziomy głośności ⁵⁶		
Poziom ciśnienia akustycznego równoważny temu, na który narażony jest użytkownik urządzenia, mierzony zgodnie z normami: EN/ISO 11806 oraz ISO 22868, dB(A):	88	90
Poziomy drgań ⁵⁷		
Poziom drgań ekwiwalentnych (a _{h_v, eq}), z głowicą żyłkową, lewy uchwyt, m/s ²	5,0	3,6
Poziom drgań ekwiwalentnych (a _{h_v, eq}), z głowicą żyłkową, prawy uchwyt, m/s ²	3,6	3,5

⁵⁵ Emisję hałasu do otoczenia zmierzono jako moc akustyczną (L_{WA}) zgodnie z dyrektywą WE 2000/14/WE. Odnotowany poziom ciśnienia akustycznego dla produktu został zmierzony z oryginalnym osprzętem tnącym, który generuje najwyższy poziom hałasu. Różnica pomiędzy gwarantowanym a zmierzonym poziomem ciśnienia akustycznego wynika z tego, że poziom gwarantowany uwzględnia także rozproszenie w wynikach pomiaru oraz różnice pomiędzy różnymi produktami o takim samym oznaczeniu modelowym zgodnie z dyrektywą 2000/14/WE.

⁵⁶ Odnotowane dane dotyczące równoważnego ciśnienia akustycznego produktu wykazują typowy rozrzut statystyczny (odchylenie standardowe) w wysokości 1 dB(A).

⁵⁷ Odnotowane dane dotyczące równoważnego poziomu drgań wykazują typowe rozproszenie statystyczne (odchylenie standardowe) w wysokości 1 m/s².

Akcesoria

Akcesoria

122C		
Zatwierdzone akcesoria	Typ	Oslona osprzętu tnącego
Wał gwintowany	3/8 R	–
Głowica żyłkowa	T25 (żyłka Ø 2,0–2,4 mm)	574 47 95-01
	T25C (żyłka Ø 2,0–2,7 mm)	
	R25 (żyłka Ø 2,0–2,4 mm)	
122LK		
Zatwierdzone akcesoria	Typ	Oslona osprzętu tnącego
Wał gwintowany	M10	–
Głowica żyłkowa	T25 (żyłka Ø 2,0–2,4 mm)	574 19 87-01
	R25 (żyłka Ø 2,0–2,4 mm)	

Poniższe akcesoria zaleca się do modeli odpowiednio wyszczególnionych w tabeli.

Zatwierdzone przystawki	Typ	Przeznaczone do
Szczotka - przystawka	SR600-2	122LK
Nożyce do żywopłotu - przystawka	HA200	122LK
Nożyce do żywopłotu - przystawka	HA860	122LK
Krawędziarka - przystawka	ECA850, ESA860	122LK
Piła - przystawka	PA1100	122LK
Przedłużenie - przystawka	EX780	122LK
Kultywator - przystawka	CA230	122LK
Dmuchawa - przystawka	BA101	122LK
Szczotka szczecinowa - przystawka	BR600	122LK
Skaryfikator - przystawka	DT600	122LK

Deklaracja zgodności

Deklaracja zgodności UE

Firma Husqvarna AB, SE-561 82 Huskvarna,
Szwecja, tel.: +46-36-146500, deklarujemy z pełną
odpowiedzialnością, że produkt:

Opis	Benzynowa podkaszarka do trawy/wykaszarka
Marka	Husqvarna
Typ/model	122C, 122LK
Identyfikacja	Numer seryjny datowany na 2022 i późniejsze

spełnia wszystkie wymogi określone w odpowiednich
dyrektywach i przepisach UE:

Przepis	Opis
2006/42/WE	„maszynowa”
2014/30/UE	„dotycząca zgodności elektromagnetycznej”
2000/14/WE	„dotycząca emisji hałasu”
2011/65/UE	„dotycząca ograniczenia użycia określonych substancji niebezpiecznych”

Zostały zastosowane następujące normy:

EN ISO 12100:2010, EN ISO 11806-1:2011, ISO
14982:1998, CISPR 12:2007+A1:2009, EN IEC
63000:2018

Dobrowolna kontrola homologacyjna na rzecz
Husqvarna AB została przeprowadzona przez RISE
SMP Svensk Maskinprovning AB, Box 7035, SE-750 07
Uppsala, Sweden,.

Świadectwa noszą numery: 122C - SEC/10/2271,
122LK - SEC/10/2272

RISE SMP Svensk Maskinprovning AB, zweryfikował
także zgodność z załącznikiem V Dyrektywy Rady
2000/14/WE.

Świadectwa noszą numery: 122C - 01/164/068, 122LK -
01/164/067.

Huskvarna 2022-05-13



Claes Losdal, Dyrektor ds. badań i rozwoju, Husqvarna
AB

Osoba odpowiedzialna za dokumentację techniczną



ÍNDICE

Introdução.....	377	Resolução de problemas.....	392
Segurança.....	379	Transporte e armazenamento.....	393
Montagem.....	383	Especificações técnicas.....	393
Funcionamento.....	385	Acessórios.....	394
Manutenção.....	389	Declaração de conformidade.....	396

Introdução

Descrição do produto

O produto é um aparador de relva com um motor de combustão.

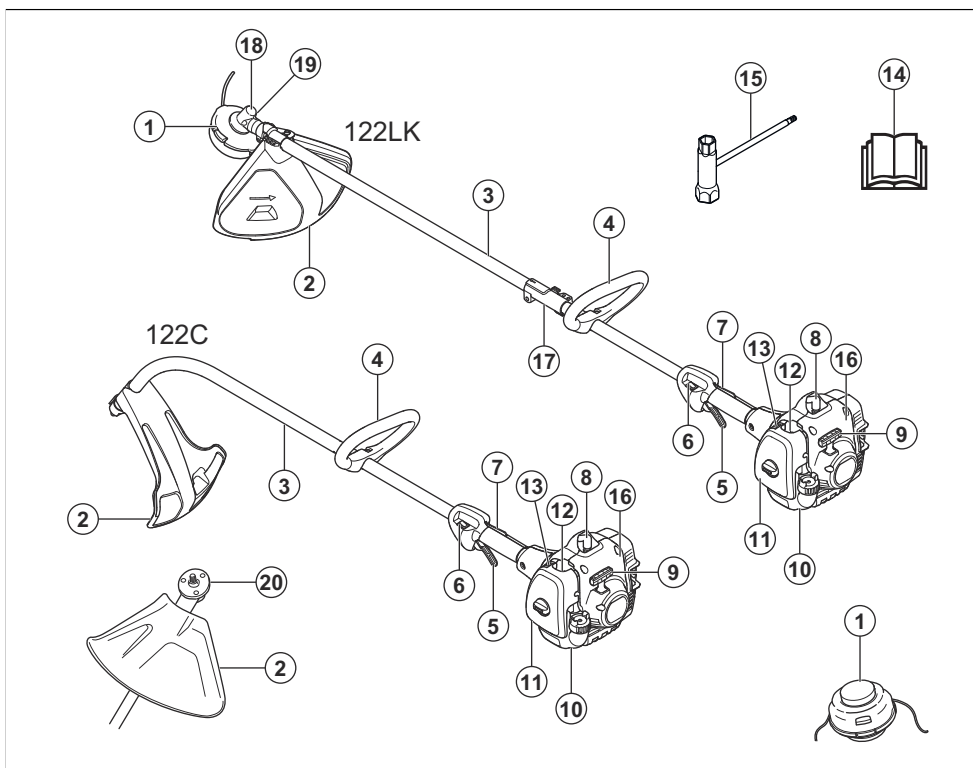
Decorre um trabalho constante para aumentar a sua segurança e eficiência durante o funcionamento. Para mais informações, contacte o revendedor com assistência técnica.

Finalidade

O produto é utilizado com uma cabeça do aparador para cortar relva. Não utilize o produto para outras tarefas que não aparar e desbastar relva.

Nota: A legislação nacional pode limitar a utilização deste produto.

Vista geral do produto



- | | |
|-----------------------------------|------------------|
| 1. Cabeçote de recorte | 3. Eixo |
| 2. Proteção do acessório de corte | 4. Punho fechado |

5. Acelerador
6. Interruptor de paragem
7. Bloqueio do acelerador
8. Vela de ignição e cobertura da vela de ignição
9. Punho do cabo de arranque
10. Depósito de combustível
11. Cobertura do filtro de ar
12. Ampola da purga de ar
13. Controlo do estrangulador
14. Manual do utilizador
15. Chave combinada
16. Caixa do dispositivo de arranque
17. Acoplamento do tubo
18. Engrenagem cónica
19. Enchimento de massa lubrificante, engrenagem angular
20. Acionador

Símbolos no produto



AVISO! Este produto é perigoso. Uma utilização não cuidadosa e incorreta poderá provocar ferimentos ou a morte do utilizador ou de terceiros. Para evitar ferimentos ao utilizador ou a terceiros, leia e cumpra todas as instruções de segurança do manual do utilizador.



Leia o manual do utilizador com atenção e certifique-se de que compreende as instruções antes de utilizar o produto.



Utilize um capacete de proteção em locais onde possam cair objetos sobre si. Utilize protetores acústicos aprovados. Utilize proteção ocular aprovada.



Velocidade máxima do eixo de saída.



O produto está em conformidade com as diretivas CE aplicáveis.



O produto pode causar a projeção de objetos, o que pode resultar em ferimentos.



Mantenha pessoas e animais a uma distância mínima de 15 m durante o funcionamento do produto.



Utilize luvas de proteção aprovadas.



Use botas antiderrapantes resistentes.



Utilize apenas um fio de corte flexível. Não utilize acessórios de corte metálicos.



Emissão de ruído para a etiqueta ambiental de acordo com as diretivas e regulamentos da União Europeia e do Reino Unido e o regulamento "Protection of the Environment Operations (Noise Control) Regulation 2017" (regulamento de proteção de operações no meio ambiente [controlo do ruído] de 2017) da Nova Gales do Sul. O nível de potência sonora garantido do produto está especificado nas *Especificações técnicas na página 393* e na etiqueta.



Ampola da purga de ar.



Estrangulador.



Este produto está em conformidade com os regulamentos aplicáveis do Reino Unido.

aaaassxxxx

A etiqueta de tipo apresenta o número de série. **aaaa** é o ano de fabrico, **ss** é a semana de fabrico.

Nota: Os restantes símbolos/autocolantes existentes no produto dizem respeito a exigências para homologação em outras áreas comerciais.

Emissões Euro V



ATENÇÃO: A adulteração do motor anula a aprovação deste produto pela UE.

Assistência ao cliente

Para assistência ao cliente, telefone para o número: 1-800-487-5951 ou acesse a www.husqvarna.com.

Responsabilidade pelo produto

Como referido nas leis de responsabilidade pelo produto, não somos responsáveis por danos causados pelo nosso produto se:

- o produto tiver sido incorretamente reparado.
- o produto tiver sido reparado com peças que não sejam do fabricante ou que não sejam aprovadas pelo fabricante.

- o produto tiver um acessório que não seja do fabricante ou que não seja aprovado pelo fabricante.
- o produto não tiver sido reparado por um centro de assistência autorizado ou por uma autoridade aprovada.

Segurança

Definições de segurança

Os avisos, as precauções e as notas são utilizados para indicar partes especialmente importantes do manual.



ATENÇÃO: Utilizado no caso de existir risco de ferimento ou morte para o utilizador ou transeuntes, se não forem respeitadas as instruções do manual.



CUIDADO: Utilizado se existir risco de danos para o produto, para outros materiais ou para a área adjacente, se não forem respeitadas as instruções do manual.

Nota: Utilizado para disponibilizar informações adicionais necessárias numa determinada situação.

Instruções de segurança gerais



ATENÇÃO: Leia as instruções de aviso que se seguem antes de utilizar o produto.

- Utilize o produto corretamente. Ferimentos ou morte são resultados possíveis de utilização incorreta. Utilize apenas o produto para as tarefas descritas neste manual. Não utilize o produto para outras tarefas.
- Siga as instruções neste manual. Respeite as instruções e os símbolos de segurança. Ferimentos, danos ou morte são um resultado possível se o operador não respeitar as instruções e os símbolos.
- Não elimine este manual. Utilize as instruções para montar, para operar e para manter o seu produto em bom estado. Utilize as instruções para a instalação correta de acessórios. Utilize apenas acessórios aprovados.
- Não utilize um produto danificado. Respeite o esquema de manutenção. Realize apenas tarefas de manutenção descritas neste manual. Todas as outras tarefas de manutenção têm de ser realizadas por um centro de assistência autorizado.
- Este manual não pode incluir todas as situações que podem ocorrer quando utiliza o produto. Seja cuidadoso e use o seu senso comum. Não utilize o produto nem realize tarefas de manutenção no mesmo se não tiver a certeza acerca da situação. Fale com um especialista do produto, o seu concessionário, oficina autorizada ou centro de assistência autorizado para obter informações.
- Desligue o cabo da vela de ignição antes de montar o produto, de o armazenar ou de realizar tarefas de manutenção.
- Não utilize o produto se este for alterado da sua especificação inicial. Não altere uma parte do produto sem a aprovação do fabricante. Utilize apenas peças aprovadas pelo fabricante. Ferimentos ou morte são resultados possíveis de manutenção incorreta.
- Não respire os gases do motor. A inalação prolongada dos gases de escape do motor constitui um risco para a saúde.
- Não arranque o produto em locais fechados ou nas proximidades de material inflamável. Os gases de escape são quentes e podem conter faíscas que podem causar incêndios. O fluxo de ar insuficiente pode causar ferimentos ou morte devido a asfixia ou monóxido de carbono.
- Quando utilizar esse produto, o motor produz um campo eletromagnético. O campo eletromagnético pode causar danos a implantes médicos. Consulte o seu médico e o fabricante do implante antes de utilizar este produto.
- Não deixe uma criança utilizar o produto. Não permita que o produto seja operado por uma pessoa que não conheça as instruções.
- Certifique-se de que monitoriza sempre a utilização do produto por pessoas com diminuição da capacidade física ou mental. Tem de estar sempre presente um adulto responsável.
- Bloqueie o produto numa área à qual crianças e pessoas sem autorização não tenham acesso.
- O produto pode projetar objetos e causar ferimentos. Respeite as instruções de segurança para diminuir o risco de ferimentos ou morte.
- Não se afaste do produto quando o motor estiver ligado.
- O operador do produto é responsável caso ocorra um acidente.
- Certifique-se de que as peças não estão danificadas antes de utilizar o produto.

- Antes de utilizar o produto, certifique-se de que está, no mínimo, a 15 m (50 pés) de distância de outras pessoas ou de animais. Certifique-se de que as pessoas na área adjacente sabem que irá utilizar o produto.
- Consulte as leis nacionais ou locais. Podem impedir ou diminuir o funcionamento do produto em algumas condições.
- Não utilize o produto se estiver cansado ou sob a influência de álcool, drogas ou medicamentos. Estes podem ter efeitos na sua visão, atenção, capacidade de discernimento ou controlo físico.

Instruções de segurança para montagem



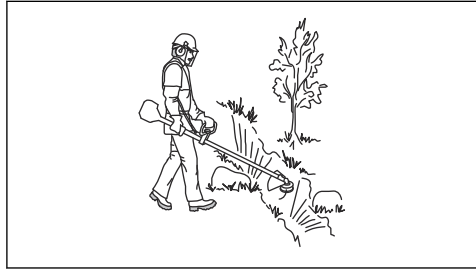
ATENÇÃO: Leia as instruções de aviso que se seguem antes de utilizar o produto.

- Retire a cobertura da vela de ignição antes de montar o produto.
- Utilize luvas de proteção aprovadas.
- Certifique-se de que instala corretamente a cobertura e o eixo antes de ligar o motor.

Instruções de segurança para funcionamento

- Certifique-se de que o produto está totalmente montado antes de o utilizar.
- Antes de começar, desloque o produto a uma distância de 3 m da posição onde abasteceu o depósito de combustível. Coloque o produto numa superfície plana. Certifique-se de que o acessório de corte não toca no solo ou noutros objetos.
- O produto pode causar a projeção de objetos, o que pode causar danos nos olhos. Utilize sempre uma proteção ocular aprovada quando operar o produto.
- Tenha cuidado, uma criança pode aproximar-se do produto sem o seu conhecimento durante o funcionamento.
- Não opere o produto se houver pessoas na área de trabalho. Pare o produto se uma pessoa for para a área de trabalho.
- Certifique-se de que está sempre em controlo do produto.
- Não utilize o produto se não puder receber ajuda em caso de acidente. Certifique-se sempre de que outras pessoas sabem que irá operar o produto antes de começar.
- Não vire com o produto antes de se certificar de que não há pessoas ou animais na área de segurança.
- Remova todos os materiais indesejados da área de trabalho antes de começar. Se o acessório de corte atingir um objeto, este pode ser projetado e causar ferimentos ou danos. Os materiais indesejados podem enrolar-se à volta do acessório de corte e causar danos.

- Não utilize o produto em más condições meteorológicas (nevoeiro, chuva, ventos fortes, risco de relâmpagos ou outras condições meteorológicas). Podem ocorrer condições perigosas (tais como superfícies escorregadias) devido a más condições meteorológicas.
- Certifique-se de que pode mover-se livremente e trabalhar numa posição estável.



- Certifique-se de que não pode cair quando utilizar o produto. Não se incline quando operar o produto.
- Segure sempre o produto com ambas as mãos. Mantenha o produto do lado direito do seu corpo.



- Opere o produto com o acessório de corte abaixo da cintura.
- Se o controlo do estrangulador estiver na posição do estrangulador quando o motor arranca, o acessório de corte começa a rodar.
- Não toque na engrenagem cônica depois de o motor parar. A engrenagem cônica está quente depois de o motor parar. As áreas quentes podem causar ferimentos.
- Pare o motor antes de mover o produto.
- Não pouse o produto com o motor ligado.
- Antes de remover os materiais indesejados do produto, pare o motor e aguarde que o acessório de corte pare. Deixe o acessório de corte parar antes de o material cortado ser retirado por si ou por um ajudante.

Equipamento de proteção pessoal



ATENÇÃO: Leia as instruções de aviso que se seguem antes de utilizar o produto.

- Utilize sempre equipamento de proteção pessoal aprovado ao utilizar o produto. O equipamento de proteção pessoal não previne totalmente os ferimentos mas diminui a respectiva gravidade em caso de acidente. Obtenha ajuda junto do seu concessionário para selecionar o equipamento certo.
- Utilize um capacete de proteção caso exista o risco de objetos em queda.
- Utilize protetores acústicos aprovados com suficiente insonorização. A exposição prolongada a ruídos pode provocar danos auditivos permanentes.
- Utilize proteção ocular aprovada. Mesmo com viseira, é necessário utilizar óculos de proteção aprovados. É necessário que os óculos de proteção aprovados estejam em conformidade com a norma ANSI Z87.1 nos EUA ou a norma EN 166 nos países da UE.
- Utilize uma viseira para proteger o rosto. Uma viseira não é suficiente para proteger os olhos.



- Use luvas sempre que necessário, por exemplo, ao fixar, examinar ou limpar o acessório de corte.
- Use botas estáveis e antidescalçantes.
- Utilize vestuário fabricado com um tecido resistente. Utilize sempre calças e mangas compridas grossas. Não utilize vestuário largo que possa ficar preso em galhos e ramos. Não utilize joias, calções, nem ande de sandálias ou descalço. Coloque o seu cabelo acima dos ombros para maior segurança.



- Mantenha equipamentos de primeiros socorros sempre à mão.



Dispositivos de segurança no produto



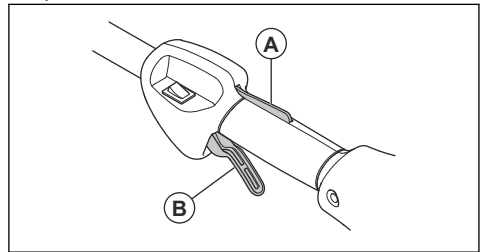
ATENÇÃO: Leia as instruções de aviso que se seguem antes de utilizar o produto.

- Não utilize o produto com dispositivos de segurança defeituosos.

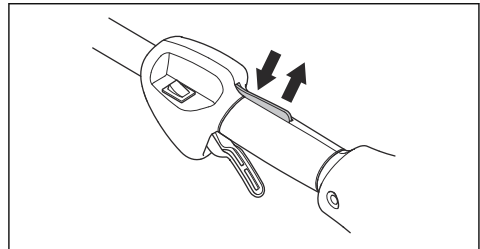
- Verifique regularmente os dispositivos de segurança. Consulte *Esquema de manutenção na página 389*.
- Se os dispositivos de segurança estiverem defeituosos, fale com o seu revendedor com assistência técnica Husqvarna.

Verificar o bloqueio do acelerador

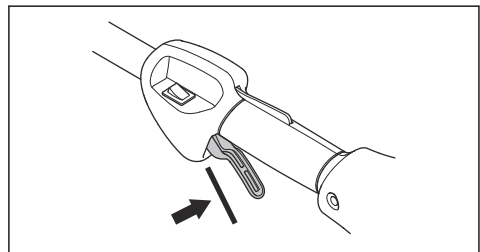
1. Certifique-se de que o bloqueio do acelerador (A) e o respetivo acelerador (B) se movem livremente e que a mola de retorno funciona corretamente.



2. Pressione o bloqueio do acelerador e certifique-se de que este regressa à sua posição inicial quando libertado.



3. Quando soltar o bloqueio do acelerador, certifique-se de que o acelerador está bloqueado na posição de ralenti.



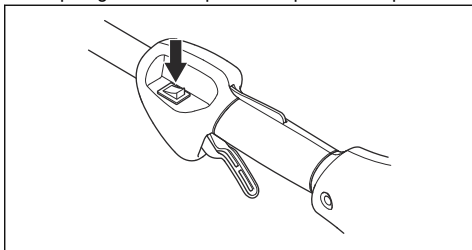
4. Ligue o produto e aplique a aceleração total.
5. Solte o acelerador e certifique-se de que as lâminas param e permanecem paradas.



ATENÇÃO: Se as lâminas se moverem com o acelerador na posição de ralenti, ajuste a velocidade ao ralenti do carburador. Consulte *Ajustar o ralenti na página 390*.

Verificar o interruptor de paragem

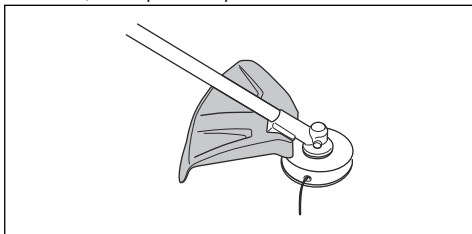
1. Ligue o motor.
2. Desloque o interruptor de paragem para a posição de paragem e certifique-se de que o motor para.



Verificar a proteção do acessório de corte

A proteção do equipamento de corte protege o operador dos objetos que são projetados na sua direção. Também evita ferimentos que ocorrem se tocar no acessório de corte.

1. Desligue o motor.
2. Efetue uma inspeção visual para verificar se existem danos, como por exemplo fissuras.



3. Substitua a proteção do equipamento de corte, caso esteja danificada.

Silenciador

- Não utilize um motor com um silenciador danificado. Um silenciador danificado aumenta o nível de ruído e o risco de incêndio. Mantenha um extintor de incêndios por perto.
- Examine regularmente se o silenciador está fixo ao produto.
- Não toque no motor ou no silenciador quando o motor está ligado. Não toque no motor ou no silenciador durante algum tempo após a paragem do motor. As superfícies quentes podem causar ferimentos.
- Um silenciador quente pode provocar um incêndio. Tenha cuidado se utilizar o produto nas proximidades de líquidos inflamáveis ou gases.
- Não toque nas peças do silenciador, caso este esteja danificado. As peças podem conter alguns produtos químicos cancerígenos.

Acessório de corte



ATENÇÃO: Leia as instruções de aviso que se seguem antes de utilizar o produto.

- Realize regularmente as tarefas de manutenção. Leve regularmente o acessório de corte a um centro de assistência autorizado para que o examinem e realizem ajustes ou reparações.
 - O desempenho do acessório de corte melhora.
 - A vida útil do acessório de corte é aumentada.
 - O risco de acidentes é reduzido.
- Utilize apenas uma proteção do acessório de corte aprovada. Consulte *Acessórios na página 394*.
- Não utilize um acessório de corte danificado.

Segurança no manuseamento do combustível



ATENÇÃO: Leia as instruções de aviso que se seguem antes de utilizar o produto.

- Não misture o combustível em espaços interiores ou próximo de uma fonte de calor.
- Não ligue o produto se houver combustível ou óleo do motor sobre o produto. Remova o combustível/ óleo indesejado e deixe o produto secar. Remova o combustível indesejado do produto.
- Se derramar combustível na sua roupa, troque de roupa imediatamente.
- Não deixe que o combustível entre em contacto com o seu corpo, pois pode causar ferimentos. Se o combustível entrar em contacto com o seu corpo, use sabão e água para o remover.
- Não ligue o motor se derramar óleo ou combustível no produto ou no seu corpo.
- Não ligue o produto se o motor tiver uma fuga. Examine regularmente o motor quanto a fugas.
- Tenha cuidado com o combustível. O combustível é inflamável e os gases são explosivos e podem causar ferimentos ou morte.
- Não respire os gases do combustível, podem causar ferimentos. Certifique-se de que existe fluxo de ar suficiente.
- Não fume perto de combustível ou do motor.
- Não coloque objetos quentes perto do combustível ou do motor.
- Não acrescente combustível com o motor em funcionamento.
- Certifique-se de que o motor está frio antes de reabastecer.
- Antes de reabastecer, abra lentamente a tampa do depósito de combustível e liberte a pressão com cuidado.
- Certifique-se de que existe fluxo de ar suficiente ao reabastecer e misturar combustível (gasolina e

óleo para motores de dois tempos) ou ao drenar o depósito de combustível.

- O combustível e os vapores do combustível são altamente inflamáveis e podem causar ferimentos graves em caso de inalação ou contacto com a pele. Por este motivo, é necessário cuidado ao manusear combustível, devendo certificar-se de que existe um fluxo de ar adequado.
- Aperte a tampa do depósito de combustível com cuidado ou pode ocorrer um incêndio.
- Desloque o produto a uma distância mínima de 3 m (10 pés) da posição onde abasteceu o depósito antes de começar.
- Não encha demasiado o depósito de combustível.
- Certifique-se de que não ocorrem fugas quando desloca o produto ou o recipiente de combustível.
- Não coloque o produto ou um recipiente de combustível onde houver uma chama aberta, faísca ou luz piloto. Certifique-se de que a área de armazenamento não contém uma chama aberta.
- Utilize apenas recipientes aprovados quando deslocar ou armazenar o combustível.
- Esvazie o depósito de combustível antes do armazenamento a longo prazo. Respeite a legislação local sobre a eliminação de combustível.
- Limpe o produto antes do armazenamento a longo prazo.
- Retire a cobertura da vela de ignição antes de armazenar o produto, para garantir que o motor não arranca acidentalmente.

Instruções de segurança para manutenção



ATENÇÃO: Leia as instruções de aviso que se seguem antes de utilizar o produto.

- Pare o motor, certifique-se de que o equipamento de corte para e deixe o produto arrefecer antes de proceder à manutenção.
- Retire a cobertura da vela de ignição antes de efetuar a manutenção.
- Os gases de escape do motor contêm monóxido de carbono, um gás inodoro, tóxico e altamente perigoso que pode provocar a morte. Não utilize o produto em zonas interiores ou espaços fechados.
- Os gases de escape do motor são quentes e podem conter faíscas. Não opere o produto em locais fechados ou próximo de materiais inflamáveis.
- A utilização de acessórios e a realização de alterações no produto que não sejam aprovadas pelo fabricante podem causar ferimentos graves ou morte. Não altere o produto. Utilize sempre acessórios originais.
- Se a manutenção não for realizada de forma correta e regular, existe um maior risco de ferimentos e danos ao produto.
- Realize apenas a manutenção recomendada neste manual do utilizador. A manutenção deve ser realizada por uma oficina autorizada da Husqvarna.
- Leve o produto regularmente a uma oficina Husqvarna autorizada para realizar a manutenção.
- Substitua as peças danificadas, gastas ou partidas.
- Consulte as instruções do equipamento de corte para obter o procedimento correto para instalar a corda de corte e corrigir o diâmetro da corda.
- Mantenha sempre os dentes de corte da lâmina bem afiados. Respeite as nossas recomendações. Consulte também as instruções na embalagem da lâmina.

Montagem

Introdução



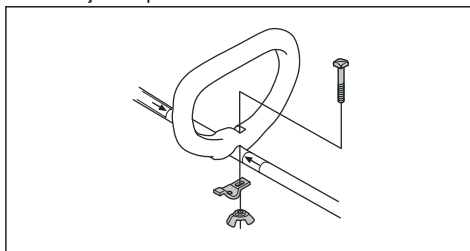
ATENÇÃO: Antes de montar o produto, tem de ler e compreender o capítulo sobre segurança.



ATENÇÃO: Retire o cabo da vela de ignição antes de montar o produto.

Fixar o punho fechado

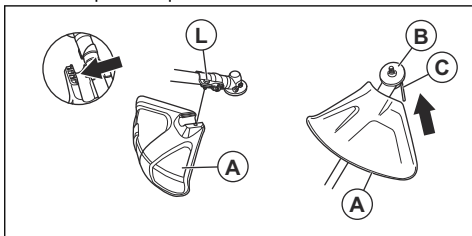
1. Fixe o punho fechado ao eixo de acordo com a ilustração e aperte.



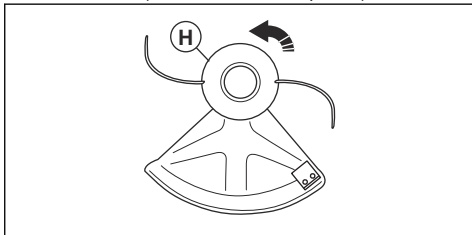
2. Certifique-se de que o punho fechado fica fixo entre as setas no eixo.

Fixar a proteção do acessório de corte e a cabeça do aparador (eixo reto)

1. Fixe a proteção do acessório de corte (A) ao eixo com o parafuso (L).
2. Fixe o acionador (B) ao eixo de saída.
3. Rode o eixo de saída até que o orifício do acionador fique alinhado com o orifício na caixa de engrenagem.
4. Coloque uma chave de parafusos pequena (C) no orifício para bloquear o eixo.

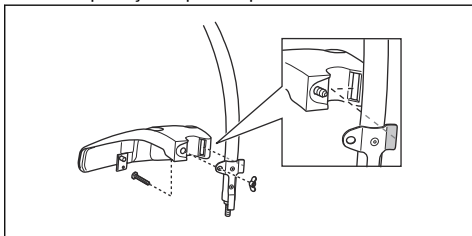


5. Rode a cabeça do aparador (H) para a esquerda para apertar a cabeça do aparador à caixa de velocidades. (Roscas do lado esquerdo).

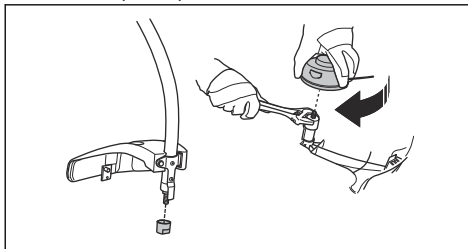


Fixar a proteção do acessório de corte e a cabeça do aparador (eixo curvo)

1. Fixe a proteção. Aperte a porca.



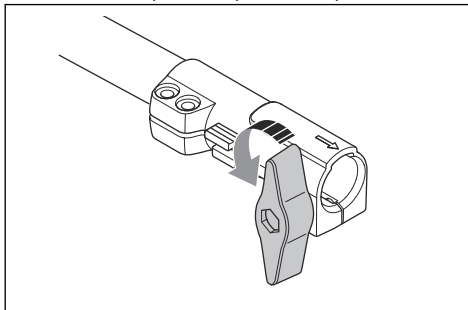
2. Fixe a tampa antipó ao eixo.



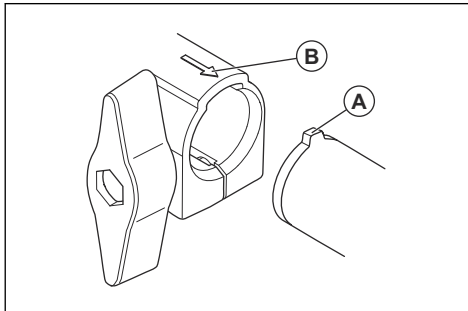
3. Segure a tampa antipó com uma chave ajustável para se certificar de que o eixo não roda.
4. Fixe a cabeça do aparador ao eixo. Rode a cabeça do aparador para a direita.

Montar o eixo de duas peças

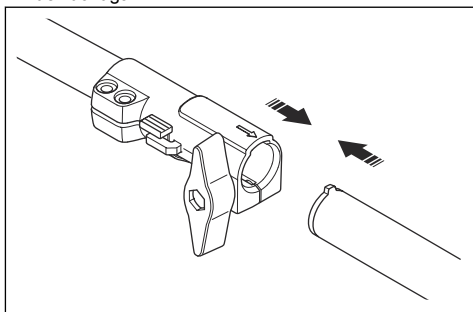
1. Rode o botão para desapertar o acoplamento.



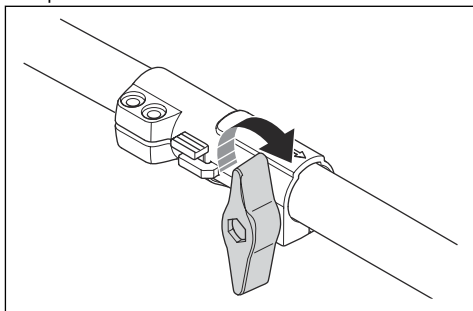
2. Alinhe a lingueta (A) com a seta (B) no acoplamento.



- Empurre o eixo para o acoplamento até encaixar no devido lugar.

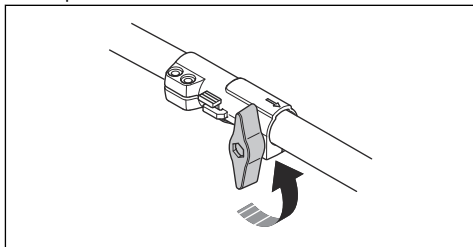


- Aperte o botão totalmente.

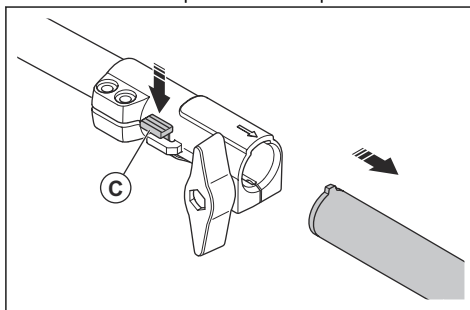


Desmontar o eixo de duas peças

- Rode o botão 3 voltas para desapertar o acoplamento.



- Carregue e mantenha o botão (C).
- Segure firmemente na extremidade do eixo ao qual o motor está fixado.
- Puxe o acessório para fora do acoplamento.



Funcionamento

Introdução



ATENÇÃO: Antes de utilizar o produto, tem ler e compreender o capítulo sobre segurança.



CUIDADO: O tipo errado de combustível pode resultar em danos no motor. Utilize uma mistura de gasolina e óleo para motor de dois tempos.

Combustível

Este produto tem um motor de dois tempos.

Combustível previamente misturado

- Utilize combustível alquilado previamente misturado da Husqvarna para obter o melhor desempenho e prolongar a vida útil do motor. Este combustível contém substâncias químicas menos nocivas em

comparação com o combustível normal, o que reduz os gases de escape nocivos. A quantidade de resíduos após a combustão é inferior com este combustível, o que mantém os componentes do motor mais limpos.

Para misturar o combustível

Gasolina

- Utilize gasolina sem chumbo de boa qualidade com um conteúdo de etanol de, no máximo, 10%.



CUIDADO: Não utilize gasolina com um índice de octanas inferior a 90 RON/87 AKI. A utilização de um índice de octanas inferior pode causar batimento do motor, o que provoca danos no motor.

Óleo para motores a dois tempos

- Para obter melhores resultados e desempenho, use o óleo para motor de dois tempos da Husqvarna.
- Se o óleo para motores de dois tempos da Husqvarna não estiver disponível, use um óleo para motores de dois tempos de boa qualidade destinado a motores arrefecidos a ar. Entre em contacto com o seu revendedor com assistência técnica para seleccionar o óleo correto.



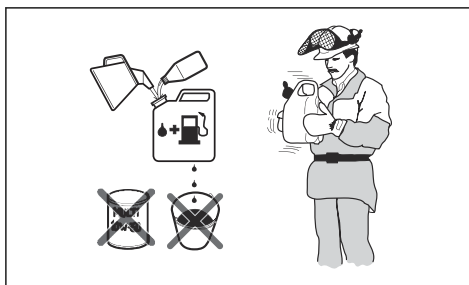
CUIDADO: Não use óleo para motores de dois tempos formulado para motores fora de borda arrefecidos a água, também conhecido como óleo para motores fora de borda. Não utilize óleo para motores a quatro tempos.

Misturar gasolina e óleo para motores de dois tempos

Gasolina, litros	Óleo para motor de dois tempos, litros
	2% (50:1)
5	0,10
10	0,20
15	0,30
20	0,40



CUIDADO: Ao misturar pequenas quantidades de combustível, existe o risco de pequenos erros poderem influenciar drasticamente a proporção da mistura. Meça cuidadosamente a quantidade de óleo e certifique-se de que obtém a mistura correta.



1. Encha metade da quantidade de gasolina num recipiente limpo para combustível.
2. Adicione a quantidade total de óleo.
3. Agite bem a mistura de combustível.
4. Adicione a restante quantidade de gasolina ao recipiente.
5. Agite cuidadosamente a mistura de combustível.



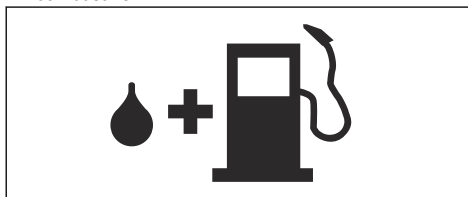
CUIDADO: Não misture combustível para mais de 1 mês de cada vez.

Para encher o depósito de combustível



ATENÇÃO: Cumpra o procedimento que se segue para sua segurança.

1. Desligue o motor e deixe-o arrefecer.
2. Limpe bem à volta da tampa do depósito de combustível.



3. Agite ligeiramente o recipiente e certifique-se de que o combustível fica totalmente misturado.
4. Retire a tampa do depósito de combustível lentamente para libertar a pressão.
5. Encha o depósito de combustível.



CUIDADO: Certifique-se de que não existe demasiado combustível no respetivo depósito. O combustível expande-se quando fica quente.

6. Aperte com cuidado a tampa do depósito de combustível.
7. Limpe o combustível derramado sobre e à volta do produto.

8. Antes de ligar o motor, afaste o produto, no mínimo, 3 m/10 pés da fonte de combustível e do local de abastecimento.

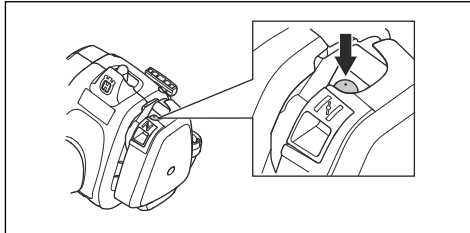
Nota: Para ver onde se encontra o depósito de combustível no seu produto, consulte *Vista geral do produto* na página 377.

Examinar antes de começar

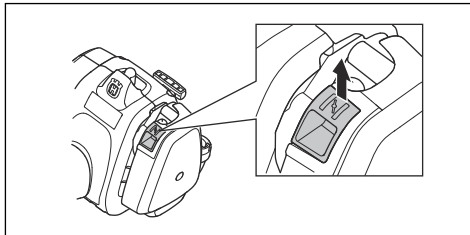
1. Certifique-se de que o produto não tem peças em falta, danificadas, soltas ou desgastadas.
2. Certifique-se de que as porcas, os parafusos e os pernos estão apertados.
3. Certifique-se de que a cabeça do aparador não está danificada.
4. Certifique-se de que o filtro de ar não está obstruído.
5. Certifique-se de que os dispositivos de segurança do produto não estão danificados.
6. Certifique-se de que o produto não apresenta fugas de combustível.

Arrancar com o motor frio

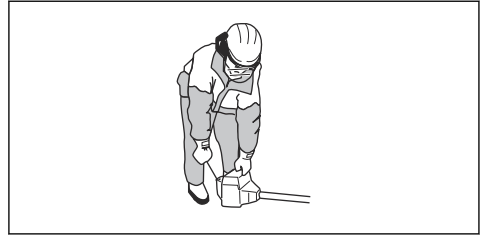
1. Empurre a ampola da purga de ar 10 vezes.



2. Ponha o controlo do estrangulador na posição de estrangulação.



3. Apoie o corpo do produto contra o solo com a mão esquerda.



CUIDADO: Não pise o produto.

4. Puxe o punho do cabo de arranque lentamente com a mão direita até sentir resistência. Em seguida, puxe o punho do cabo de arranque rapidamente e com força até que o motor arranque ou tente arrancar.



ATENÇÃO: Não enrole o cabo de arranque na mão.

5. Coloque o controlo do estrangulador na posição de funcionamento.
6. Se o motor arranque, prima ligeiramente o acelerador e deixe o motor a trabalhar durante 60 segundos para aquecer. Se o motor não arranque, puxe o punho do cabo de arranque até o motor arranque. Em seguida, prima ligeiramente o acelerador e deixe o motor a trabalhar durante 60 segundos para aquecer.



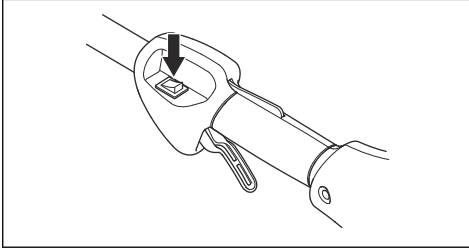
CUIDADO: Não puxe totalmente o cabo de arranque e não solte o punho do cabo de arranque. Caso contrário, pode causar danos no produto. Solte o cabo de arranque lentamente.

Arranque com o motor quente

1. Empurre a ampola da purga de ar 10 vezes.
2. Puxe o cabo de arranque até que o motor arranque.

Desligar o produto

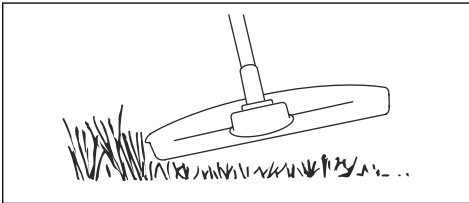
- Empurre o interruptor de paragem para parar o motor.



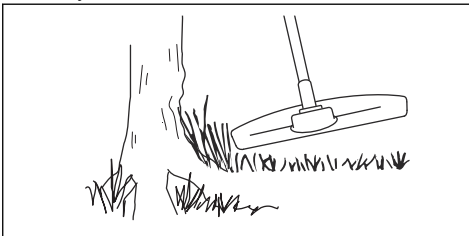
Nota: O interruptor de paragem regressa automaticamente à sua posição inicial.

Aparar a relva

1. Mantenha a cabeça do aparador um pouco acima do solo a um determinado ângulo. Não empurre a linha do aparador para a relva.



2. Reduza o comprimento da linha do aparador em 10-12 cm/4-4,75 pol.
3. Reduza a velocidade do motor para diminuir o risco de danos nas plantas.
4. Utilize 80% da aceleração quando cortar relva perto de objetos.



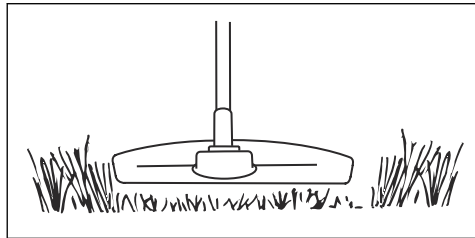
Limpar a relva com uma lâmina de relva

1. As lâminas e as cortadoras de relva não podem ser utilizadas em caules lenhosos.
2. A lâmina de relva utiliza-se para todos os tipos de relva alta ou espessa.

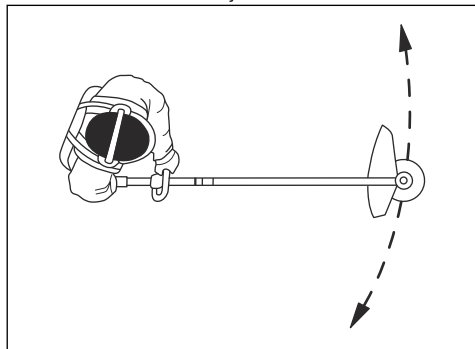
3. A relva é cortada com um movimento pendular lateral, em que o movimento da direita para a esquerda é a fase de corte e o movimento da esquerda para a direita a fase de retorno. Deixe a lâmina trabalhar com o lado esquerdo (entre as posições correspondentes às 8 e 12 horas dos ponteiros do relógio).
4. Se inclinar a lâmina um pouco para a esquerda ao cortar, a relva acumula-se numa linha, facilitando a recolha, por ex., com o ancinho.
5. Procure trabalhar com ritmo. Apoie-se bem, com os pés afastados. Mova-se para a frente depois do movimento de retorno e volte a apoiar-se bem.
6. Deixe o copo de apoio tocar levemente no solo. Assim protege a lâmina contra o contacto com o solo.
7. Reduza o risco de o material se agarrar à lâmina, trabalhando sempre em aceleração total e evitando a relva já cortada no movimento de retorno.
8. Pare o motor, desaperte o suporte e coloque a máquina no chão antes de recolher o material cortado.

Cortar a relva

1. Certifique-se de que a linha do aparador está paralela ao solo quando cortar.



2. Não empurre a cabeça do aparador para o solo. Caso contrário, pode causar danos no produto.
3. Desloque o produto de um lado para o outro quando cortar relva. Use a rotação máxima.



Para aparar a relva

O fluxo de ar da linha do aparador a girar pode ser utilizado para remover a relva cortada de uma área.

1. Mantenha a cabeça e a linha do aparador paralelas ao solo e acima do mesmo.
2. Acelere ao máximo.
3. Mova a cabeça do aparador de um lado para o outro e apare a relva.



ATENÇÃO: Limpe a cobertura da cabeça do aparador sempre que instalar uma nova linha do aparador para evitar desequilíbrios e vibrações nos punhos. Efetue também uma verificação das outras peças da cabeça do aparador e limpe-as, se necessário.

- Utilize apenas as cabeças e as linhas do aparador de relva aprovadas. Consulte *Acessórios na página 394*.
- Utilize um comprimento correto da linha do aparador de relva. Uma linha de aparador de relva longa utiliza mais potência do motor do que uma linha de um aparador de relva curta.
- Certifique-se de que o cortador da proteção do acessório de corte não está danificado.
- Embeba a linha do aparador de relva em água durante 2 dias antes de a fixar ao produto. Isso prolonga a vida útil da linha do aparador de relva.
- Consulte as instruções do acessório de corte para utilizar o procedimento correto de carregamento da corda e o devido diâmetro da corda.

Cabeça do aparador de relva

- Certifique-se de que enrola a linha do aparador de relva com firmeza e igualmente em redor do tambor para reduzir a vibração.

Manutenção

Introdução



ATENÇÃO: Antes de efetuar a manutenção, tem de ler e compreender o capítulo sobre segurança.

É necessária formação especial para realizar qualquer tarefa de manutenção ou reparação. Garantimos a disponibilidade de reparações e manutenção profissionais. Se o seu revendedor não for uma oficina autorizada, pergunte-lhes onde se situa a oficina autorizada mais próxima.

Esquema de manutenção

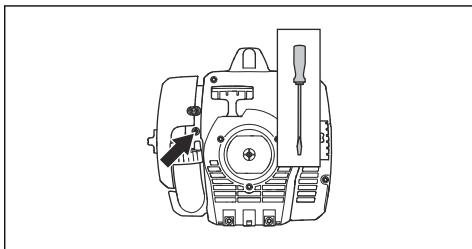
Manutenção	Diaria-mente	Semanal-mente	Mensal-mente
Limpe a superfície externa.	X		
Limpe o filtro de ar. Substitua, se necessário.	X		
Verifique o funcionamento do bloqueio do acelerador e do acelerador.	X		
Examine o interruptor de paragem.	X		
Examine as proteções.	X		
Examine a cabeça do aparador.	X		
Examine a porca de fixação.	X		
Verifique se existem fugas de combustível.	X		
Certifique-se de que a lâmina de relva está alinhada com o centro, que está afiada e que não possui danos na lâmina ou no orifício central.	X		
Verifique se o acessório de corte não gira ao ralenti.	X		
Aplique massa lubrificante no eixo de duas peças.		X	
Examine o punho do cabo de arranque e o cabo de arranque.		X	

Manutenção	Diaria- mente	Semanal- mente	Mensal- mente
Examine a massa lubrificante da engrenagem cônica.		X	
Limpe a superfície externa da vela de ignição. Retire a vela de ignição e meça a distância entre os elétrodos. Ajuste a distância entre os elétrodos ou substitua a vela de ignição.		X	
Limpe o sistema de arrefecimento.		X	
Limpe ou substitua a rede retentora de faíscas do silenciador.		X	
Limpe a superfície exterior do carburador e a área circundante.		X	
Verifique a existência de contaminação no filtro de combustível.			X
Examine a mangueira de combustível quanto a danos.			X
Examine todos os cabos e ligações.			X
Examine se a embraiagem, as molas da embraiagem e o tambor da embraiagem apresentam sinais de desgaste.			X
Substitua a vela de ignição.			X

Ajustar o ralenti

Certifique-se de que o filtro de ar está limpo e que a cobertura do filtro de ar está montada antes de ajustar a velocidade de ralenti.

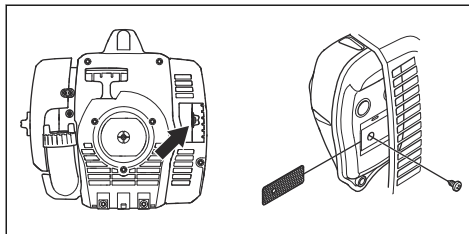
1. Rode o parafuso em T do ralenti, identificado com um "T", para a direita até que o equipamento de corte comece a rodar.



2. Rode o parafuso em T do ralenti, identificado com um "T", para a esquerda até que o equipamento de corte pare.
3. O ralenti tem de ser inferior à velocidade quando o equipamento de corte começar a rodar. O ralenti está correto se o motor funcionar suavemente em todas as posições.

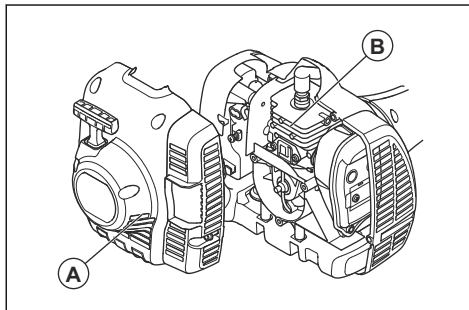
Realizar tarefas de manutenção na rede retentora de faíscas

- Utilize uma escova metálica para limpar a rede retentora de faíscas.



Limpar o sistema de arrefecimento

- Limpe a admissão de ar (A) do dispositivo de arranque e as aletas de arrefecimento (B) do cilindro com uma escova.

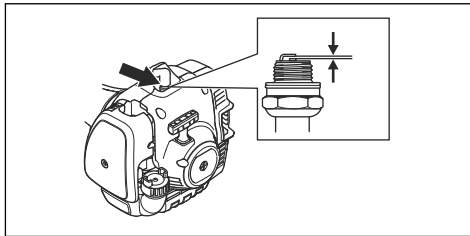


Examinar a vela de ignição



CUIDADO: Utilize a vela de ignição recomendada. Certifique-se de que a peça de substituição é idêntica à peça fornecida pelo fabricante. Uma vela de ignição incorreta pode causar danos ao produto. Certifique-se de que a vela de ignição está instalada com um supressor. Para mais informações, contacte o revendedor com assistência técnica.

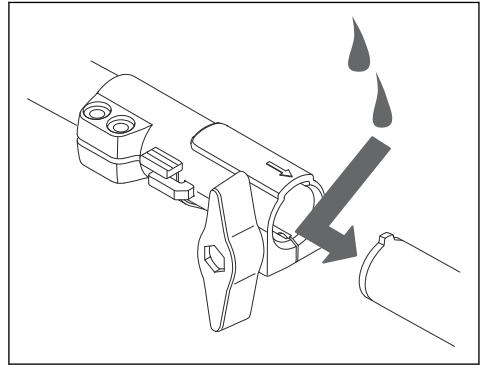
1. Examine a vela de ignição se:
 - a) o motor estiver com baixa potência.
 - b) for difícil ligar o motor.
 - c) o motor não funcionar corretamente ao ralenti.
2. Se não for fácil ligar ou operar o motor, examine a vela de ignição quanto a materiais indesejados. Para diminuir o risco de materiais indesejados nos eletrodos da vela de ignição:
 - a) certifique-se de que o ralenti está corretamente ajustado.
 - b) certifique-se de que a mistura de combustível está correta.
 - c) certifique-se de que o filtro de ar está limpo.
3. Limpe a vela de ignição se estiver suja. Certifique-se de que a distância entre os eletrodos está correta. Consulte *Especificações técnicas na página 393*.



4. Substitua a vela de ignição quando necessário.

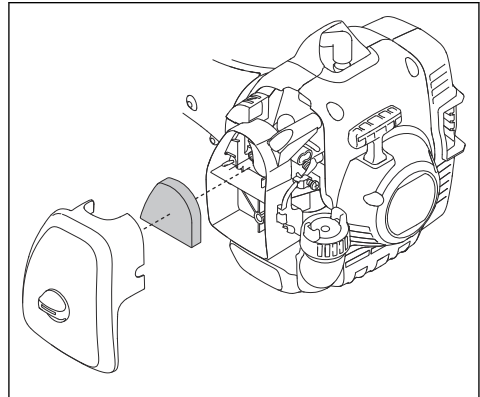
Aplicar massa lubrificante no eixo de duas peças

- Aplique massa lubrificante na extremidade do eixo motriz após cada 30 horas de funcionamento.



Para limpar o filtro de ar

1. Retire a cobertura do filtro de ar e o filtro de ar.



2. Limpe o filtro de ar com água quente com sabão. Certifique-se de que o filtro de ar está seco antes de o instalar.
3. Substitua o filtro de ar caso esteja demasiado sujo para o limpar totalmente. Substitua sempre um filtro de ar danificado.
4. Se o seu produto possui um filtro de ar de espuma, aplique óleo do filtro de ar. Aplique apenas óleo do filtro de ar a um filtro de espuma. Não aplique óleo a um filtro de feltro.

Aplicar óleo do filtro de ar ao filtro de ar

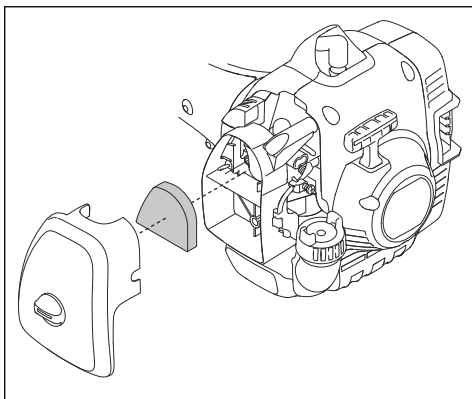


CUIDADO: Utilize sempre óleo do filtro de ar especial em filtros de ar de espuma. Não utilize outros tipos de óleo.

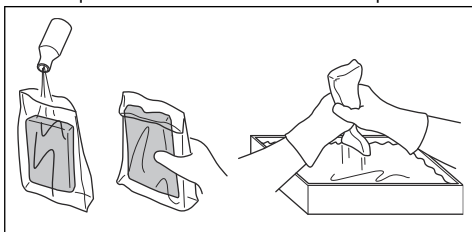


ATENÇÃO: Não deixe o óleo entrar em contacto com o seu corpo.

1. Retire a cobertura do filtro de ar e o filtro de ar.



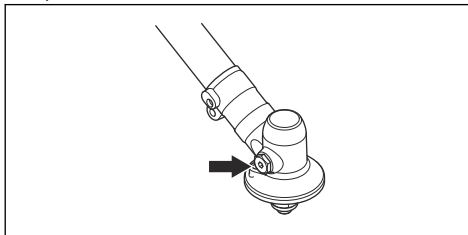
2. Coloque o filtro de ar num saco de plástico.
3. Coloque o óleo do filtro de ar no saco de plástico.



4. Empurre o saco de plástico para se certificar de que o óleo é fornecido uniformemente através do filtro de ar.
5. Empurre o filtro de ar, enquanto estiver no saco, para remover o óleo do filtro de ar que não seja necessário. Remova o filtro de ar do saco.
6. Instale o filtro de ar.

Adicionar massa lubrificante à engrenagem cônica

- Certifique-se de que a engrenagem cônica apresenta $\frac{3}{4}$ do volume total de massa lubrificante.



Resolução de problemas

O motor não arranca

Verificação	Causa possível	Procedimento
Prendedores de arranque.	Os prendedores de arranque não conseguem movimentar-se livremente.	Retire a cobertura do dispositivo de arranque e limpe a área circundante dos prendedores de arranque.
		Solicite ajuda junto de um revendedor de assistência aprovado.
Depósito de combustível.	Tipo de combustível errado.	Drene o depósito de combustível e encha-o com o combustível correto.

Verificação	Causa possível	Procedimento
Vela de ignição.	A vela de ignição está suja ou molhada.	Certifique-se de que a vela de ignição está seca e limpa.
	A distância entre os elétrodos da vela de ignição está incorreta.	Limpe a vela de ignição. Certifique-se de que a distância entre os elétrodos está correta. Certifique-se de que a vela de ignição tem um supressor. Consulte <i>Especificações técnicas na página 393</i> para obter a distância entre os elétrodos correta.
	A vela de ignição está solta.	Aperte a vela de ignição.

O motor arranca mas para novamente

Verificação	Causa possível	Procedimento
Depósito de combustível	Tipo de combustível errado.	Esvazie o depósito de combustível e encha-o com o combustível correto.
Filtro de ar	O filtro de ar está obstruído.	Limpe o filtro de ar.

Transporte e armazenamento

- Deixe sempre o produto arrefecer antes de o armazenar.
 - Para o transporte e armazenamento do produto e do combustível, certifique-se de que não existem fugas ou fumos. Faíscas ou chamas abertas, por exemplo de dispositivos elétricos ou mesmo caldeiras, podem causar um incêndio.
 - Utilize recipientes aprovados para o transporte e armazenamento de combustível.
 - Esvazie o depósito de combustível antes do transporte ou do armazenamento a longo prazo.
- Elimine o combustível numa localização de eliminação aplicável.
 - Fixe a proteção para transporte durante o transporte e armazenamento.
 - Remova a cobertura da vela de ignição da vela de ignição.
 - Prenda o produto durante o transporte. Certifique-se de que o produto não se move.
 - Limpe e efetue a manutenção do produto antes do armazenamento a longo prazo.

Especificações técnicas

Especificações técnicas

	122C	122LK
Motor		
Cilindrada, cm ³	21,7	21,7
Velocidade ao ralenti, rpm	2900	2900
Rotação em aceleração máxima recomendada, r/min	7200	9100
Velocidade do eixo de saída, rpm	7200	6232

	122C	122LK
Energia/Potência máx. do motor de acordo com a ISO 8893, kW/hp @ rpm	0,6/0,8 @ 7800	0,6/0,8 @ 7800
Silenciador com catalisador	Sim	Sim
Sistema de ignição regulado pela velocidade de rotação	Não	Não
Sistema de ignição		
Vela de ignição	HQT-4 672201	HQT-4 672201
Distância entre os eletrodos, mm	0,5	0,5
Sistema de combustível		
Capacidade do depósito de combustível, l/cm ³	0,3/300	0,3/300
Peso		
Peso sem combustível, equipamento de corte e proteção, kg	4,4	4,8
Emissões de ruído ⁵⁸		
Nível de potência sonora, medido, dB(A)	102	104
Nível de potência sonora, garantido (L _{WA}), dB(A)	104	108
Níveis sonoros ⁵⁹		
Nível de pressão sonora equivalente, ao nível do ouvido do utilizador, medido de acordo com as normas EN ISO 11806 e ISO 22868, dB(A):	88	90
Níveis de vibração ⁶⁰		
Nível de vibração equivalente (a _{hv, eq}), equipado com cabeça do aparador, punho esquerdo, m/s ²	5,0	3,6
Nível de vibração equivalente (a _{hv, eq}), equipado com cabeça do aparador, punho direito, m/s ²	3,6	3,5

Acessórios

Acessórios

122C		
Acessórios aprovados	Tipo	Proteção do acessório de corte

⁵⁸ Emissões de ruído para as imediações, medidas sob forma de potência sonora (L_{WA}) em conformidade com a diretiva da CE 2000/14/CE. O nível de potência sonora registado para o produto foi medido com o equipamento de corte original que debita o nível mais alto. A diferença entre a potência sonora garantida e medida é que a potência sonora garantida inclui também a dispersão no resultado da medição e as variações entre diferentes produtos do mesmo modelo, de acordo com a diretiva 2000/14/CE.

⁵⁹ Os dados registados para o nível de pressão sonora equivalente para o produto têm uma dispersão estatística típica (desvio padrão) de 1 dB(A).

⁶⁰ os dados comunicados relativamente ao nível de vibração equivalente têm uma dispersão estatística típica (desvio padrão) de 1 m/s².

Eixo roscado	3/8 R	–
Cabeça do aparador	T25 (cabo com Ø 2,0–2,4 mm)	574 47 95-01
	T25C (cabo com Ø 2,0–2,7 mm)	
	R25 (cabo com Ø 2,0–2,4 mm)	
122LK		
Acessórios aprovados	Tipo	Proteção do acessório de corte
Eixo roscado	M10	–
Cabeça do aparador	T25 (cabo com Ø 2,0–2,4 mm)	574 19 87-01
	R25 (cabo com Ø 2,0–2,4 mm)	

Os acessórios seguintes são recomendados para os modelos abaixo.

Acessórios aprovados	Tipo	Aplicado em
Acessório varredor para limpeza	SR600-2	122LK
Acessório de corta-sebes	HA200	122LK
Acessório de corta-sebes	HA860	122LK
Acessório de aparador	ECA850, ESA860	122LK
Acessório de serra	PA1100	122LK
Acessório de extensão	EX780	122LK
Acessório de cultivador	CA230	122LK
Acessório de soprador	BA101	122LK
Acessório de escova dura	BR600	122LK
Acessório de escafificador	DT600	122LK

Declaração de conformidade

Declaração UE de conformidade

A Husqvarna AB, SE-561 82 Huskvarna, Suécia,
tel.: +46-36-146500, declara, sob sua inteira
responsabilidade, que o produto:

Descrição	Aparador de relva/roçadora a gasolina
Marca	Husqvarna
Tipo/Modelo	122C, 122LK
Identificação	Número de série referente a 2022 e posteriores

está em plena conformidade com as seguintes diretivas
e regulamentos da UE:

Regulamento	Descrição
2006/42/CE	"relativa a máquinas"
2014/30/UE	"relativa à compatibilidade eletromagnética"
2000/14/CE	"relativa ao ruído exterior"
2011/65/UE	"restrição do uso de determinadas substâncias perigosas"

Foram respeitadas as seguintes normas:

EN ISO 12100:2010, EN ISO 11806-1:2011, ISO
14982:1998, CISPR 12:2007+A1:2009, EN IEC
63000:2018

A RISE SMP Svensk Maskinprovning AB,, Box 7035,
SE-750 07 Uppsala, Sweden,, efetuou o exame de tipo
voluntário em nome da Husqvarna AB.

Os certificados têm os números: 122C - SEC/10/2271,
122LK - SEC/10/2272

A RISE SMP Svensk Maskinprovning AB, verificou
também a conformidade com o anexo V da diretiva do
conselho 2000/14/CE.

Os certificados têm os números: 122C - 01/164/068,
122LK - 01/164/067.

Huskvarna 2022-05-13



Claes Losdal, gestor de I&D, Husqvarna AB

Responsável pela documentação técnica



CUPRINS

Introducere.....	397	Depanarea.....	412
Siguranță.....	399	Transportul și depozitarea.....	413
Asamblarea.....	403	Date tehnice.....	413
Funcționarea.....	405	Accesorii.....	414
Întreținerea.....	409	Declarație de conformitate.....	416

Introducere

Descrierea produsului

Acest produs este un trimmer de iarbă cu motor cu combustie internă.

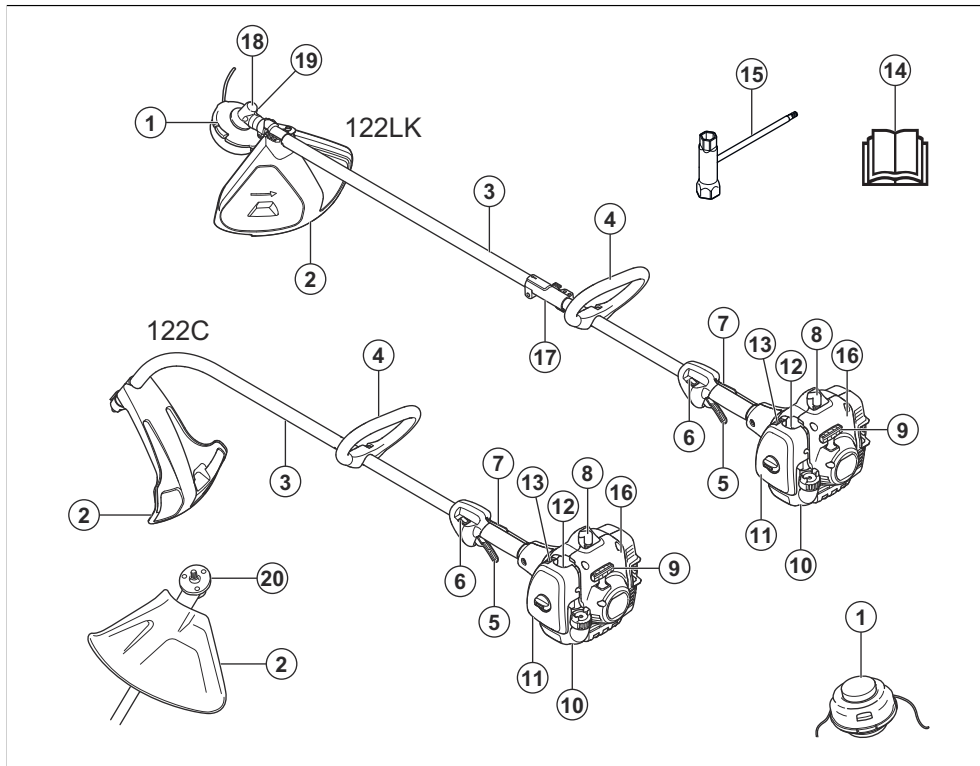
Se depun eforturi constant pentru a vă spori siguranța și eficiența în timpul funcționării. Adresați-vă reprezentantului de service pentru informații suplimentare.

Domeniul de utilizare

Produsul este utilizat cu un cap de tuns pentru a tăia iarbă. Nu utilizați produsul pentru alte activități decât tunsul gazonului și curățarea ierbii.

Nota: Reglementările la nivel național pot stabili limite ale funcționării produsului.

Prezentarea generală a produsului



1. Cap de tuns
2. Apărătoare pentru accesoriul de tăiere
3. Arbore
4. Mâner semicircular

5. Pârghie accelerație
6. Comutator oprire
7. Element blocare pârghie accelerație
8. Capacul bujiei și bujia
9. Mâner pentru șnurul de pornire
10. Rezervor de carburant
11. Capac filtru de aer
12. Buton purjor aer
13. Acționare șoc
14. Manualul operatorului
15. Cheie combinată
16. Carcasă demaror
17. Cuplaj arbore
18. Angrenaj conic
19. Bușon de umplere cu unsoare, angrenaj conic
20. Disc de antrenare

Simbolurile de pe produs



AVERTISMENT! Acest produs este periculos. Dacă produsul nu este utilizat corect și cu atenție, operatorul sau persoanele din zonă pot suferi vătămări corporale sau deces. Pentru a preveni vătămarea corporală a operatorului sau a persoanelor din zonă, citiți și respectați toate instrucțiunile de siguranță din manualul operatorului.



Citiți cu atenție manualul operatorului și asigurați-vă că înțelegeți instrucțiunile înainte de utilizare.



Utilizați o cască de protecție în locuri unde pot cădea obiecte pe dvs. Utilizați un sistem omologat de protecție a auzului. Utilizați ochelari de protecție omologați.



Turația maximă a arborelui de ieșire.



Produsul este în conformitate cu directivele CE aplicabile.



Produsul poate determina proiectarea de obiecte, ceea ce poate produce vătămări corporale.



Păstrați o distanță de minimum 15 m față de persoane și animale în timpul utilizării produsului.



Utilizați mănuși de protecție omologate.



Utilizați ghete pentru regim greu de lucru, rezistente la alunecare.



Utilizați numai fir flexibil de tăiere. Nu utilizați accesorii de tăiere metalice.



Etichetă privind emisia de zgomot în mediu, conform directivelor și reglementărilor din UE și Regatul Unit și legislației din New South Wales, „Regulamentul privind măsurile de protecție a mediului (controlul zgomotului) din 2017. Nivelul de putere sonoră garantat al produsului este specificat în *Date tehnice la pagina 413* și pe etichetă.



Buton purjor.



Șoc.



Acest produs este în conformitate cu reglementările aplicabile din Regatul Unit.

aaaassxxxx

Plăcuța de identificare indică seria. **aaaa** este anul fabricației și **ss** este săptămâna fabricației.

Nota: Alte simboluri/autocolante de pe produs se referă la cerințele de certificare pentru alte zone comerciale.

Emisiile de Euro V



AVERTISMENT: În urma modificării neautorizate a motorului, este anulată aprobarea de tip UE pentru acest produs.

Asistență clienți

Pentru asistență clienți, sunați la: 1-800-487-5951 sau vizitați www.husqvarna.com.

Răspunderea pentru produs

Conform prevederilor legislației privind răspunderea pentru produs, nu ne asumăm răspunderea pentru daunele cauzate de produsul nostru dacă:

- produsul este reparat necorespunzător;

- produsul este reparat cu piese care nu provin de la producător sau care nu sunt aprobate de acesta;
- produsul are un accesoriu care nu provine de la producător sau care nu este aprobat de acesta;
- produsul nu este reparat la un centru de service omologat sau de o autoritate omologată;

Siguranță

Definiții privind siguranța

Avertismentele, atenționările și notele sunt utilizate pentru a desemna părți foarte importante din manual.



AVERTISMENT: Se utilizează dacă există risc de vătămare sau de deces pentru operator sau pentru trecători, în cazul în care instrucțiunile din manual nu sunt respectate.



ATENȚIE: Se utilizează dacă există un risc de deteriorare a produsului, a altor materiale sau a zonelor învecinate, dacă instrucțiunile din manual nu sunt respectate.

Nota: Se utilizează pentru a furniza mai multe informații care sunt necesare într-o situație dată.

Instrucțiuni generale de siguranță



AVERTISMENT: Înainte de a utiliza produsul, citiți instrucțiunile de avertizare de mai jos.

- Utilizați produsul în mod corespunzător. Vătămările corporale sau decesul constituie un posibil rezultat al utilizării incorecte. Utilizați produsul numai pentru operațiile din acest manual. Nu utilizați produsul pentru alte sarcini.
- Respectați instrucțiunile din acest manual. Respectați simbolurile de siguranță și instrucțiunile de siguranță. Dacă operatorul nu respectă instrucțiunile și simbolurile, pot apărea vătămări corporale, daune materiale sau decese.
- Nu aruncați acest manual. Utilizați instrucțiunile pentru a asambla, a opera și a păstra produsul în stare bună. Utilizați instrucțiunile pentru instalarea corectă a accesoriilor. Utilizați numai accesorii aprobate.
- Nu utilizați un produs deteriorat. Respectați programul de întreținere. Efectuați numai operațiile de întreținere pentru care există instrucțiuni în acest manual. Un centru de service omologat trebuie să execute toate celelalte operații de întreținere.
- Acest manual nu poate include toate situațiile care pot apărea atunci când utilizați produsul. Procedați cu atenție și folosiți-vă simțul practic. Nu operați produsul și nu efectuați operații de întreținere la acesta dacă nu sunteți sigur cu privire la situație. Discutați cu un expert de produs, cu distribuitorul, cu agentul de service sau cu centrul de service omologat pentru informații.
- Deconectați cablul bujiei înainte de a asambla produsul, de a depozita produsul sau de a efectua operații de întreținere.
- Nu utilizați produsul dacă specificația sa inițială se modifică. Nu modificați o componentă a produsului fără aprobarea producătorului. Utilizați numai piese aprobate de producător. Vătămările corporale sau decesul constituie un posibil rezultat al întreținerii incorecte.
- Nu respirați în atmosfera cu vapori emiși de motor. Inhalarea pe termen lung a gazelor de eșapament ale motorului constituie un risc pentru sănătate.
- Nu porniți produsul în interior sau în apropierea unor materiale inflamabile. Gazele de eșapament sunt fierbinți și pot conține scântei care pot declanșa incendii. Un flux de aer insuficient poate cauza vătămare corporală sau deces din cauza asfrierii sau a monoxidului de carbon.
- Când utilizați acest produs motorul generează un câmp electromagnetic. Câmpul electromagnetic poate cauza deteriorarea implanturilor medicale. Discutați cu medicul dvs. și cu producătorul implantului medical înainte de a opera produsul.
- Nu permiteți copiilor să utilizeze produsul. Nu permiteți niciunei persoane care nu cunoaște instrucțiunile să utilizeze produsul.
- Asigurați-vă că monitorizați permanent o persoană cu capacități fizice sau mentale reduse care utilizează produsul. Un adult responsabil trebuie să fie prezent în permanență.
- Încuiați produsul într-o zonă inaccesibilă copiilor și persoanelor neaprobate.
- Produsul poate proiecta obiecte și poate cauza vătămări corporale. Respectați instrucțiunile de siguranță, pentru a reduce pericolul de vătămări corporale sau de deces.
- Nu vă îndepărtați de produs atunci când motorul este pornit.
- În caz de accident, operatorul produsului este responsabil pentru acesta.
- Înainte de a utiliza produsul, asigurați-vă că piesele nu sunt deteriorate.
- Asigurați-vă că vă aflați la minimum 15 m (50 ft) distanță de alte persoane sau animale înainte

de utiliza produsul. Asigurați-vă că persoanele din apropiere știu că urmează să utilizați produsul.

- Consultați legislația națională sau locală. Aceasta poate interzice sau poate limita utilizarea produsului în unele situații.
- Nu utilizați produsul atunci când sunteți obosit sau dacă vă aflați sub influența alcoolului, drogurilor sau medicamentelor. Acestea vă pot influența negativ vederea, vigilența, coordonarea mișcărilor sau discernământul.

Instrucțiuni de siguranță pentru asamblare



AVERTISMENT: Înainte de a utiliza produsul, citiți instrucțiunile de avertizare de mai jos.

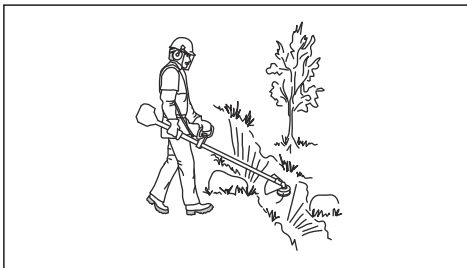
- Demontați pipa bujiei din bujie înainte de a asambla produsul.
- Utilizați mănuși de protecție omologate.
- Asigurați-vă că asamblați corect capacul și arborele înainte de a porni motorul.

Instrucțiuni de siguranță pentru utilizare

- Înainte de a utiliza produsul, asigurați-vă că este complet asamblat.
- Înainte de a porni produsul, deplasați-l la 3 m (10 ft) distanță de punctul unde ați umplut rezervorul de carburant. Poziționați produsul pe o suprafață plană. Asigurați-vă că accesoriul de tăiere nu atinge solul sau alte obiecte.
- Produsul poate determina proiectarea de obiecte, ceea ce poate conduce la leziuni oculare. Când operați produsul, utilizați întotdeauna ochelari de protecție omologată.
- Fiți atenți, copiii se pot apropia de produs, fără știrea dvs., în timpul funcționării.
- Nu utilizați produsul dacă se află persoane în zona de lucru. Opriți produsul dacă o persoană intră în zona de lucru.
- Asigurați-vă că aveți permanent control asupra produsului.
- Nu utilizați produsul dacă nu puteți primi ajutor în caz de accident. Asigurați-vă întotdeauna că alte persoane știu că veți utiliza produsul, înainte ca dvs. să începeți utilizarea produsului.
- Nu acționați produsul înainte de a vă asigura că nicio persoană și niciun animal nu se află în zona de siguranță.
- Înainte de a începe, eliminați toate materialele nedorite din zona de lucru. Dacă accesoriul de tăiere lovește un obiect, acesta poate fi proiectat și poate cauza vătămări corporale sau deteriorări. Materialele nedorite se pot înfășura în jurul accesoriului de tăiere și pot cauza deteriorări.
- Nu utilizați produsul în condiții meteorologice nefavorabile (ceață, ploaie, vânt puternic, pericol de

descărcări electrice sau alte condiții meteo). Vremea nefavorabilă poate conduce la apariția de situații periculoase (de ex. suprafețe alunecoase).

- Asigurați-vă că vă puteți deplasa liber și că puteți lucra într-o poziție stabilă.



- Asigurați-vă că nu puteți cădea în timp ce utilizați produsul. Nu înclinați produsul în timp ce-l utilizați.
- Țineți întotdeauna produsul cu ambele mâini. Țineți produsul pe partea dreaptă a corpului.



- Operați produsul cu accesoriul de tăiere amplasat sub nivelul taliei.
- Dacă acționarea șocului se află în poziția clapetei de șoc la pornirea motorului, accesoriul de tăiere începe să se rotească.
- Nu atingeți angrenajul conic după oprirea motorului. După oprirea motorului, angrenajul conic este fierbinte. Suprafețele fierbinți pot provoca vătămări corporale.
- Opriți motorul înainte de a muta produsul.
- Nu așezați produsul jos cu motorul pornit.
- Înainte de a elimina materialele nedorite din produs, opriți motorul și așteptați oprirea accesoriului de tăiere. Lăsați accesoriul de tăiere să se oprească, înainte ca dvs. sau o persoană care vă ajută să eliminați materialul tăiat.

Echipament de protecție personală



AVERTISMENT: Înainte de a utiliza produsul, citiți instrucțiunile de avertizare de mai jos.

- Utilizați întotdeauna echipamente de protecție personală atunci când folosiți produsul. Echipamentele de protecție personală nu pot elimina complet riscul de rănire, însă pot reduce gravitatea

rănilor în cazul unui accident. Distribuitorul vă poate ajuta să alegeți echipamentul corect.

- Utilizați o cască de protecție în caz că există riscul ca unele obiecte să cadă.
- Purtați echipament de protecție pentru urechi aprobat pentru utilizare, care asigură reducerea adecvată a zgomotului. Expunerea pe termen lung la zgomot poate avea ca rezultat o afecțiune ireversibilă a auzului.
- Utilizați ochelari de protecție omologați. Dacă utilizați un vizor de protecție, trebuie să purtați și ochelari de protecție. Ochelarii de protecție trebuie să fie conformi cu standardul ANSI Z87.1 în S.U.A. sau EN 166 în țările din UE.
- Utilizați o vizieră pentru protecția feței. Viziera nu este suficientă pentru protejarea ochilor.



- Purtați mănuși atunci când este necesar, de exemplu atunci când conectați, inspectați sau curățați echipamentul de tăiere.
- Utilizați ghete solide, cu talpă antiaderentă.
- Purtați haine din țesături rezistente. Purtați întotdeauna pantaloni lungi, din material gros, și îmbrăcăminte cu mâneci lungi. Nu purtați haine largi, care se pot prinde în smicele și ramuri. Nu purtați bijuterii, șort, sandale și nu lucrați în picioarele goale. Strângeți-vă părul în siguranță, deasupra nivelului umărului.



- Păstrați la îndemână echipament de prim ajutor.



Dispozitivele de siguranță de pe produs



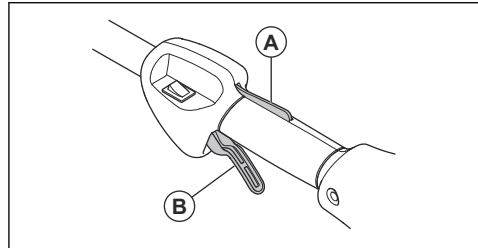
AVERTISMENT: Înainte de a utiliza produsul, citiți instrucțiunile de avertizare de mai jos.

- Nu utilizați un produs cu dispozitive de siguranță deteriorate.
- Verificați regulat dispozitivele de siguranță. Consultați *Program de întreținere la pagina 409*.

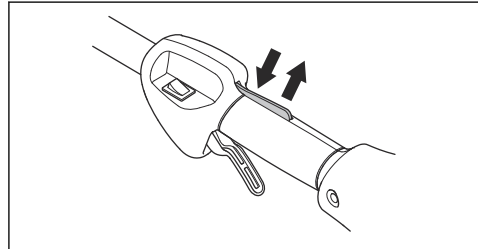
- Dacă dispozitivele de siguranță sunt defecte, adresați-vă reprezentantului de service Husqvarna.

Verificarea opritorului pârghiei de accelerație

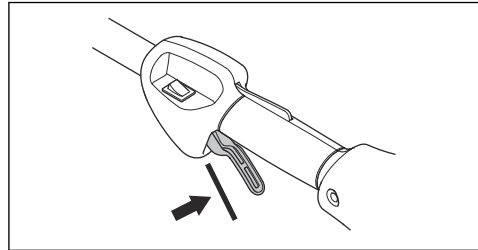
1. Asigurați-vă că elementul de blocare al pârghiei de accelerație (A) și pârghia de accelerație (B) se mișcă liber și că arcul de rapel funcționează corect.



2. Apăsăți mecanismul de blocare al pârghiei de accelerație și asigurați-vă că revine la poziția inițială atunci când îl eliberați.



3. Asigurați-vă că pârghia de accelerație este blocată la poziția de mers în gol atunci când este eliberat mecanismul de blocare al pârghiei de accelerație.



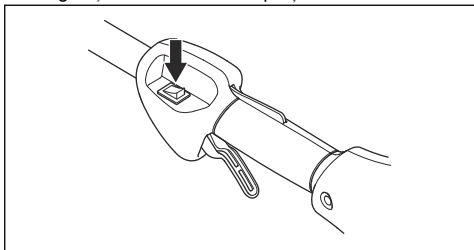
4. Porniți produsul și aplicați accelerația maximă.
5. Eliberați pârghia de accelerație și asigurați-vă că discurile se opresc și rămân staționare.



AVERTISMENT: Dacă discurile se mișcă atunci când pârghia de accelerație este în poziția de ralanti, atunci turația de mers în gol a carburatorului trebuie să fie reglată. Consultați *Reglarea turației de mers în gol la pagina 410*.

Pentru verificarea comutatorului de oprire

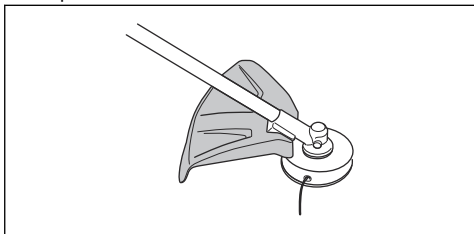
1. Porniți motorul.
2. Deplasați comutatorul de oprire în poziția de oprire și asigurați-vă că motorul se oprește.



Verificarea apărătorii accesoriului de tăiere

Apărătoarea accesoriului de tăiere oprește obiectele proiectate în direcția operatorului. De asemenea, previne vătămările corporale care pot apărea dacă atingeți accesoriul de tăiere.

1. Opriți motorul.
2. Verificați vizual eventualele deteriorări, de exemplu, crăpături.



3. Înlocuiți apărătoarea accesoriului de tăiere, dacă este deteriorată.

Eșapamentul

- Nu utilizați un motor cu un amortizor de zgomot deteriorat. Un amortizor de zgomot deteriorat determină creșterea nivelului de zgomot și a pericolului de incendiu. Păstrați un stingător de incendiu în apropiere.
- Verificați cu regularitate ca amortizorul de zgomot să fie atașat la produs.
- Nu atingeți motorul sau amortizorul de zgomot în timp ce motorul este pornit. Nu atingeți motorul sau amortizorul de zgomot pentru o perioadă după oprirea motorului. Zonele fierbinți pot provoca vătămări corporale.
- Un amortizor de zgomot fierbinte poate cauza incendii. Fiți atent dacă utilizați produsul în apropierea lichidelor inflamabile sau a vaporilor.
- Nu atingeți componente ale amortizorului de zgomot dacă acesta este deteriorat. Componentele pot conține materiale carcinogenice.

Accesorii de tăiere



AVERTISMENT: Înainte de a utiliza produsul, citiți instrucțiunile de avertizare de mai jos.

- Efectuați întreținerea cu regularitate. Permiteți unui centru de service omologat să examineze cu regularitate accesoriul de tăiere, pentru a efectua reglaje sau reparații.
 - Performanțele accesoriului de tăiere se diminuează.
 - Durata de viață a accesoriului de tăiere crește.
 - Riscul de accidente scade.
- Utilizați numai o apărătoare omologată pentru accesoriul de tăiere. Consultați *Accesorii la pagina 414*.
- Nu utilizați un accesoriu de tăiere deteriorat.

Reguli de siguranță referitoare la carburant



AVERTISMENT: Înainte de a utiliza produsul, citiți instrucțiunile de avertizare de mai jos.

- Nu amestecați carburantul în interior, sau lângă o sursă de încălzire.
- Nu porniți produsul dacă pe acesta se află carburant sau ulei pentru motor. Îndepărtați carburantul/uleiul nedorit și lăsați produsul să se usuce. Îndepărtați carburantul nedorit din produs.
- Dacă vărsați carburantul pe îmbrăcăminte, schimbați imediat hainele.
- Nu vărsați carburantul pe corp - poate provoca vătămări corporale. Dacă vărsați carburant pe corp, utilizați apă și săpun pentru a elimina carburantul.
- Nu porniți motorul dacă vărsați ulei sau carburant pe produs sau pe corp.
- Nu porniți produsul dacă motorul prezintă scurgeri. Examinați cu regularitate motorul, pentru a identifica eventuale scurgeri.
- Manipulați cu atenție carburantul. Carburantul este inflamabil, vaporii sunt explozivi și pot cauza vătămări corporale sau deces.
- Nu respirați vaporii de carburant, se pot produce vătămări corporale. Asigurați-vă că există un flux de aer suficient.
- Nu fumați în apropierea carburantului sau a motorului.
- Nu amplasați obiecte calde în apropierea carburantului sau a motorului.
- Nu adăugați carburant atunci când motorul este pornit.
- Asigurați-vă că motorul este rece înainte de a realimenta.
- Înainte de a realimenta, deschideți lent capacul rezervorului de carburant și eliberați cu atenție presiunea.

- Asigurați-vă că există un flux de aer suficient când realimentați sau amestecați carburant (benzină și ulei pentru motoare în doi timpi) sau când goliți rezervorul de carburant.
- Carburantul și vaporii de carburant sunt foarte inflamabili și pot cauza vătămări corporale grave atunci când sunt inhalați sau când este posibil contactul cu pielea. Din acest motiv, procedați cu atenție atunci când manipulați carburantul și asigurați-vă că există un flux de aer suficient.
- Strângeți cu atenție capacul rezervorului de carburant; în caz contrar, se pot produce incendii.
- Înainte de pornire, mutați produsul la o distanță de minimum 3 m (10 ft) față de poziția unde ați umplut rezervorul.
- Nu introduceți prea mult carburant în rezervorul de carburant.
- Asigurați-vă că nu se pot produce scurgeri atunci când mutați produsul sau rezervorul de carburant.
- Nu poziționați produsul sau rezervorul de carburant în apropierea unei flăcări deschise, a scânteilor sau a unei lumini pilot. Asigurați-vă că în zona de depozitare nu se află flăcări deschise.
- Utilizați numai recipiente omologate atunci când mutați carburantul sau îl introduceți în spațiul de depozitare.
- Goliți rezervorul de carburant înainte de a-l depozita pe termen lung. Respectați legislația locală cu privire la locația de eliminare a carburantului.
- Curățați produsul înainte de depozitarea pe termen lung.
- Îndepărtați pipa bujiei înainte de a introduce produsul în spațiul de depozitare, pentru a vă asigura că motorul nu pornește accidental.
- Oprii motorul, asigurați-vă că accesoriul de tăiere se oprește și lăsați produsul să se răcească înainte de a efectua operații de întreținere.
- Deconectați pipa bujiei înainte de a efectua operații de întreținere.
- Gazele de eșapament ale motorului conțin monoxid de carbon, un gaz inodor, toxic și deosebit de periculos, care poate cauza decesul. Nu porniți produsul în interior sau în spații închise.
- Gazele de eșapament de la motor sunt fierbinți și pot conține scânteie. Nu utilizați produsul în interior sau în apropierea unor materiale inflamabile.
- Accesorii și modificările aduse produsului care nu sunt autorizate de către producător pot provoca vătămări corporale grave sau fatale. Nu modificați produsul. Utilizați întotdeauna accesoriile originale.
- Dacă întreținerea nu se efectuează corect și periodic, există un pericol sporit de vătămări corporale și de deteriorare a produsului.
- Efectuați întreținerea numai conform recomandărilor din prezentul manual al operatorului. Permiteți unui agent de service Husqvarna autorizat să efectueze toate celelalte operații de service.
- Solicitați unui agent de service autorizat Husqvarna să efectueze în mod regulat operații de service la produs.
- Înlocuiți piesele deteriorate, uzate sau defecte.
- Consultați instrucțiunile pentru accesoriul de tăiere pentru procedura corectă de instalare a firului trimmerului și diametrul corect al firului.
- Mențineți dinții lamei ascuțiți corect. Respectați recomandările noastre. Consultați, de asemenea, instrucțiunile de pe ambalajul lamei.

Instrucțiuni de siguranță pentru întreținere



AVERTISMENT: Înainte de a utiliza produsul, citiți instrucțiunile de avertizare de mai jos.

Asamblarea

Introducere



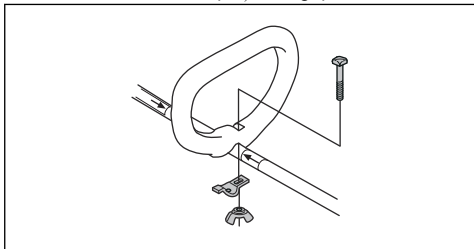
AVERTISMENT: Înainte de a asambla produsul, trebuie să citiți și să înțelegeți capitoul privind siguranța.



AVERTISMENT: Demontați cablul de la bujie înainte de a asambla produsul.

Atașarea mânerului semicircular

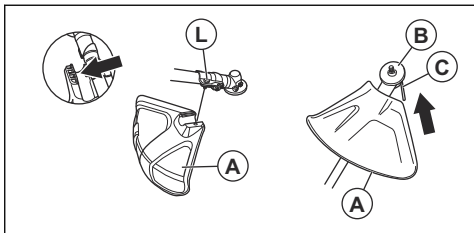
1. Atașați mânerul semicircular la arbore în conformitate cu ilustrația și strângeți.



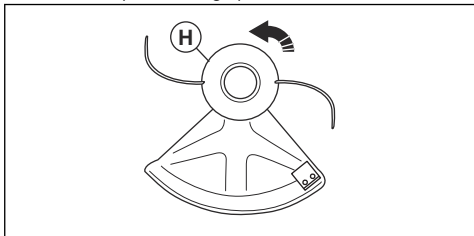
2. Asigurați-vă că mânerul semicircular se cuplează între săgețile de pe arbore.

Montarea apărătorii accesoriului de tăiere și a capului de tuns (arbore curbat)

1. Montați apărătoarea accesoriului de tăiere (A) pe arbore cu ajutorul bolțului (L).
2. Fixați discul de antrenare (B) pe arborele de ieșire.
3. Rotiți arborele de ieșire până când orificiul din discul de antrenare se aliniază cu orificiul din carcasa angrenajului.
4. Introduceți o șurubelniță mică (C) în orificiu, pentru a bloca arborele.

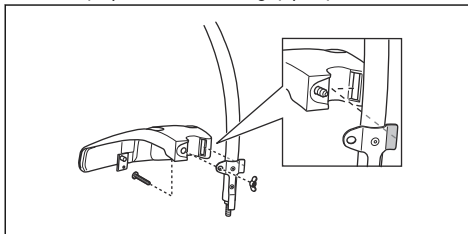


5. Rotiți capul de tuns (H) în sens invers acelor de ceasornic, pentru a strânge capul de tuns pe cutia de viteze. (Filete stânga.)

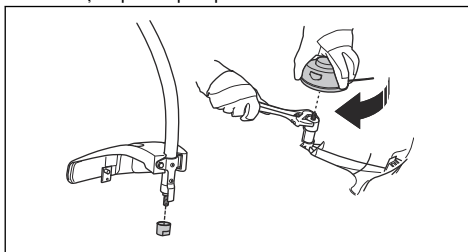


Montarea apărătorii accesoriului de tăiere și a capului de tuns (arbore curbat)

1. Montați apărătoarea. Strângeți piulița.



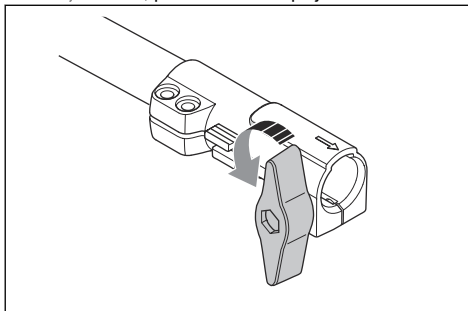
2. Montați cupa antipraf pe arbore.



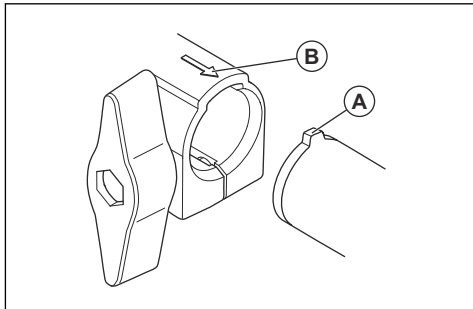
3. Țineți cupa antipraf cu o cheie reglabilă, pentru a vă asigura că arborele nu se rotește.
4. Montați capul de tuns pe arbore. Rotiți capul de tuns în sensul acelor de ceasornic.

Asamblarea arborelui din două componente

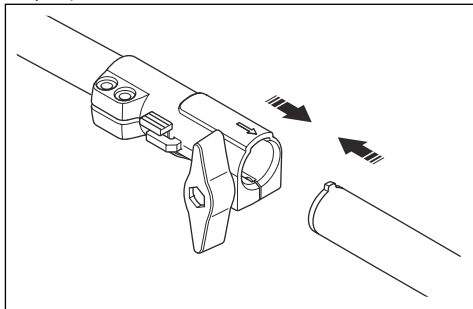
1. Rotiți butonul, pentru a slăbi cuplajul.



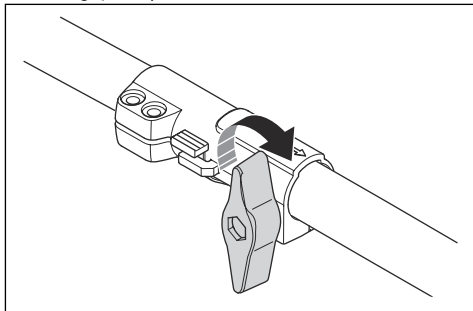
2. Aliniați clapeta (A) cu săgeata (B) de pe cuplaj.



3. Împingeți arborele în cuplaj până când se fixează în poziție.

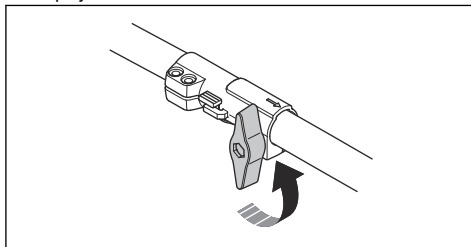


4. Strângeți complet rozeta.



Dezasamblarea arborelui din două componente

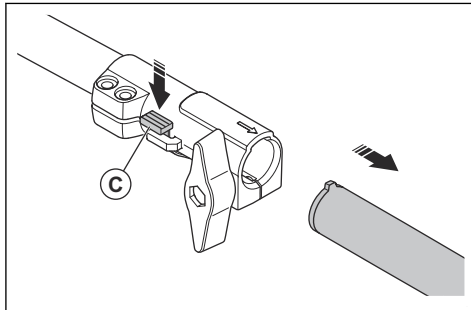
1. Rotiți butonul 3 ture sau mai mult, pentru a slăbi cuplajul.



2. Țineți apăsat butonul (C).

3. Țineți strâns de capătul arborelui de care este atașat motorul.

4. Trageți accesoriul direct din cuplaj.



Funcționarea

Introducere



AVERTISMENT: Înainte de a utiliza produsul, trebuie să citiți și să înțelegeți capitolul privind siguranța.



ATENȚIE: Tipul incorect de carburant poate deteriora motorul. Utilizați un amestec de benzină și de ulei pentru motoare în doi timpi.

Carburant

Acest produs dispune de motor în doi timpi.

Carburant preamestecat

- Utilizați carburantul alchilat preamestecat Husqvarna pentru cele mai bune performanțe și prelungirea duratei de viață a motorului. Acest carburant conține substanțe chimice mai puțin nocive în comparație cu

carburantul obișnuit, ceea ce reduce nivelul gazelor de eșapament nocive. Cantitatea de resturi după ardere este mai mică în cazul acestui carburant, care păstrează componentele motorului mai curate.

Pentru amestecarea carburantului

Benzină

- Utilizați benzină fără plumb de calitate cu un conținut maxim de 10% etanol.



ATENȚIE: Nu utilizați benzină cu o cifră octanică mai mică de 90 RON/87 AKI. Utilizarea unui carburant cu o cifră octanică inferioară poate provoca bătăi la motor, ceea ce duce la defectarea motorului.

Ulei pentru motoare în doi timpi

- Pentru cele mai bune rezultate și performanțe, utilizați uleiul pentru motoare în doi timpi Husqvarna.
- Dacă uleiul Husqvarna pentru motoare în doi timpi nu este disponibil, utilizați un ulei pentru motoare în doi timpi de bună calitate pentru motoare răcite cu aer. Adresați-vă reprezentantului dvs. de service pentru a alege uleiul corect.



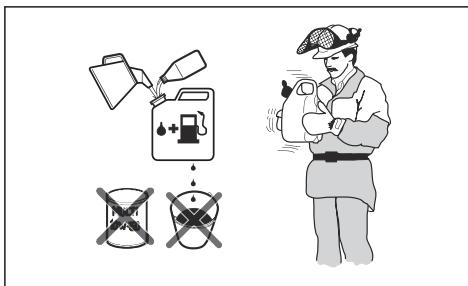
ATENȚIE: Nu utilizați ulei pentru motoare în doi timpi răcit pentru motoarele externe răcite cu apă, numit și ulei pentru motoare externe. Nu folosiți ulei pentru motoare în patru timpi.

Amestecarea benzinei cu ulei pentru motoare în doi timpi

Benzină, litru	Ulei pentru motoare în doi timpi, litru
	2% (50:1)
5	0,10
10	0,20
15	0,30
20	0,40



ATENȚIE: Micile erori pot să influențeze drastic raportul amestecului atunci când amestecați cantități mici de carburant. Măsurați cu grijă cantitatea de ulei și asigurați-vă că obțineți amestecul corect.



- Umpleți jumătate din cantitatea de benzină într-un recipient curat pentru combustibil.
- Adăugați cantitatea completă de ulei.
- Agitați amestecul.
- Adăugați în recipient cantitatea de benzină rămasă.
- Agitați cu grijă amestecul.



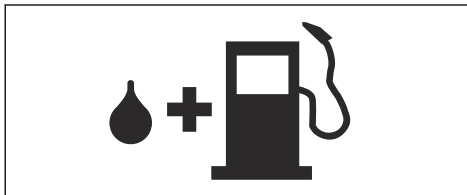
ATENȚIE: Nu amestecați carburantul pentru mai mult de 1 lună la un moment dat.

Umplerea rezervorului de carburant



AVERTISMENT: Respectați procedura următoare pentru propria siguranță.

- Opriiți motorul și lăsați motorul să se răcească.
- Curățați suprafața din jurul capacului rezervorului de carburant.



- Agitați recipientul și asigurați-vă că amestecarea carburantului s-a efectuat corespunzător.
- Scoateți încet capacul rezervorului de carburant, pentru a elibera presiunea.
- Umpleți rezervorul de carburant.



ATENȚIE: Verificați să nu existe prea mult carburant în rezervorul de carburant. Carburantul se dilată atunci când se încălzește.

- Strângeți cu atenție capacul rezervorului de carburant.
- Curățați excesul de carburant de pe produs și din jurul acestuia.

8. Îndepărtați produsul la cel puțin 3 m/10 ft de zona de realimentare și de sursa de carburant înainte de a porni motorul.

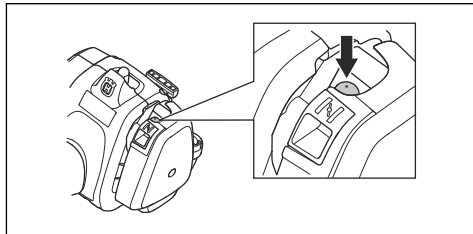
Nota: Pentru a vedea unde se află rezervorul de carburant pe produsul dvs., consultați *Prezentarea generală a produsului la pagina 397*.

Verificarea înainte de pornire

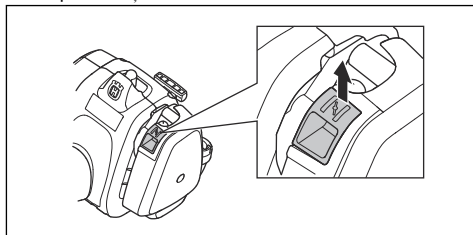
1. Asigurați-vă că produsul nu are piese lipsă, deteriorate, slăbite sau uzate.
2. Asigurați-vă că piulițele, șuruburile și bolțurile sunt strânse.
3. Asigurați-vă că nu există deteriorări ale capului de tuns.
4. Asigurați-vă că filtrul de aer nu este înfundat.
5. Asigurați-vă că dispozitivele de siguranță ale produsului nu sunt defecte.
6. Asigurați-vă că produsul nu are scurgeri de carburant.

Pentru pornirea unui motor rece

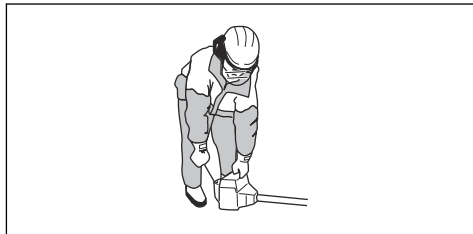
1. Apăsăți butonul purjor de 10 ori.



2. Fixați dispozitivul de acționare a șocului în poziția clapetei de șoc.



3. Țineți corpul produsului pe sol, cu mâna stângă.



ATENȚIE: Nu călcați pe produs.

4. Trageți încet de mânerul pentru șnurul de pornire cu mâna dreaptă, până când simțiți rezistență. Apoi trageți rapid și cu forță de mânerul șnurului de pornire până când motorul pornește sau încercați să pornească.



AVERTISMENT: Nu răsuciți șnurul de pornire în jurul mâinii.

5. Fixați dispozitivul de acționare a șocului în poziția de operare.
6. Dacă motorul pornește, apăsați ușor pârghia de accelerație și lăsați motorul să funcționeze timp de 60 de secunde pentru a se încălzi. Dacă motorul nu pornește, trageți de mânerul șnurului de pornire până când motorul pornește. Apoi apăsați ușor pârghia de accelerație și lăsați motorul să funcționeze timp de 60 de secunde pentru a se încălzi.



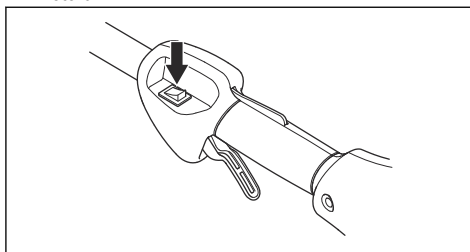
ATENȚIE: Nu trageți șnurul de pornire până când se întinde complet și nu dați drumul mânerului pentru șnurul de pornire. Aceasta poate deteriora produsul. Eliberați lent șnurul de pornire.

Pentru pornirea unui motor cald

1. Apăsăți butonul purjor de 10 ori.
2. Trageți de șnurul de pornire până la pornirea motorului.

Oprirea produsului

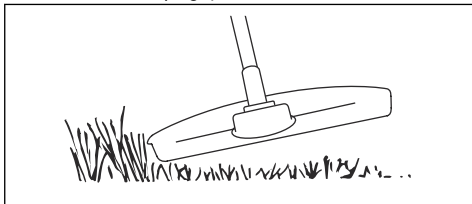
- Apăsăți pe comutatorul de oprire pentru a opri motorul.



Nota: Comutatorul de oprire revine automat la poziția inițială.

Pentru a tunde iarba

1. Țineți capul de tuns chiar deasupra solului, în poziție înclinată. Nu împingeți firul trimmerului în iarbă.



2. Reduceți lungimea firului trimmerului cu 10-12 cm / 4-4,75 inchi.
3. Reduceți turația motorului pentru a reduce riscul deteriorării plantelor.
4. Utilizați accelerația la 80 % când tundeți iarbă în apropierea unor obiecte.

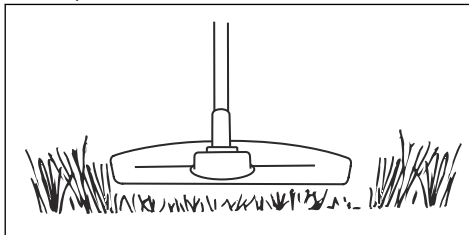


Pentru a curăța iarba cu o lamă de tăiat iarba

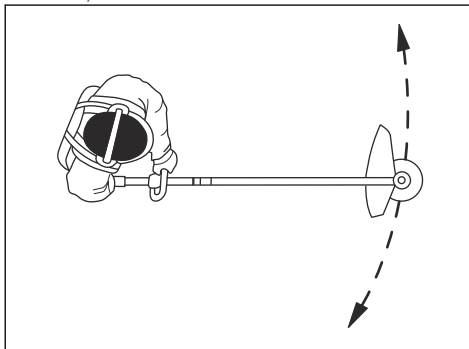
1. Lamele de tăiat iarba și frezele de tăiere a ierbii nu trebuie utilizate pe tulpini lemnoase.
2. Lama de tăiat iarba este utilizată pentru toate tipurile de iarbă înaltă sau aspră.
3. Iarba este tăiată cu o mișcare laterală, de balansare, unde mișcarea de la dreapta la stânga este cursa de curățare, iar mișcarea de la stânga la dreapta este cursa de retur. Lăsați latura din partea stângă a lamei (între ora 8 și ora 12) să efectueze tăierea.
4. Dacă lama este înclinată spre stânga atunci când curăță iarba, aceasta se va colecta pe un rând, ceea ce o face ușor de colectat, de ex. prin greblare.
5. Încercați să lucrați ritmic. Stați în picioare într-o poziție fermă, cu picioarele depărtate. Deplasați-vă înainte după cursa de retur și stați din nou în picioare într-o poziție fermă.
6. Lăsați cupa de susținere să se sprijine ușor pe sol. Se utilizează pentru a nu permite lamei să intre în contact cu solul.
7. Reduceți riscul ca materialul să se înfășoare în jurul lamei lucrând întotdeauna la accelerație maximă și evitând materialul tăiat anterior la cursa de retur.
8. Opriți motorul, desfaceți hamul și așezați aparatul pe sol înainte de a începe să colectați materialul tăiat.

Pentru a tăia iarba

1. Când tăiați iarba, asigurați-vă că firul trimmerului este paralel cu solul.



2. Nu împingeți capul de tuns în sol. Aceasta poate deteriora produsul.
3. Mișcați produsul dintr-o parte în alta când tăiați iarba. Utilizați viteza maximă.



Pentru a mătura iarba

Fluxul de aer de la firul trimmerului rotativ se poate utiliza pentru eliminarea ierbii tăiate dintr-o zonă.

1. Mențineți capul de tuns și firul trimmerului în paralel cu solul și deasupra acestuia.
2. Aplicați accelerație maximă.
3. Mutați capul de tuns dintr-o parte în alta și măturați iarba.



AVERTISMENT: Curățați capacul capului de tuns la fiecare asamblare a unui fir nou al trimmerului, pentru a preveni dezechilibrarea mânerelor și resimțirea vibrațiilor în acestea. De asemenea, verificați celelalte componente ale capului de tuns și curățați-le, dacă este necesar.

Cap de tuns iarbă

- Asigurați-vă că înfășurați strâns și în mod uniform firul trimmerului de iarbă în jurul tamburului, pentru reducerea vibrațiilor.

- Utilizați numai capete de tuns iarbă și fire pentru trimmer de iarbă omologate. Consultați *Accesorii la pagina 414*.
- Utilizați o lungime corectă a firului trimmerului de iarbă. Un fir de trimmer de iarbă lung utilizează mai multă putere a motorului decât un fir scurt.
- Asigurați-vă că freza de pe apărătoarea accesoriului de tăiere nu este deteriorată.
- Înmuiiați firul trimmerului de iarbă în apă timp de 2 zile, înainte de a-l monta la produs. Aceasta determină o creștere a duratei de utilizare a firului trimmerului de iarbă.
- Consultați instrucțiunile pentru accesoriul de tăiere pentru a utiliza procedura corectă de încărcare a firului și diametrul corect al firului.

Întreținerea

Introducere



AVERTISMENT: Înainte de a efectua orice operații de întreținere, citiți și înțelegeți capitolul privind siguranța.

Toate lucrările de service și de reparații la produs necesită instruire specială. Garantăm disponibilitatea unor lucrări profesionale de reparații și service. Dacă distribuitorul dvs. nu este agent de service, solicitați acestuia informații cu privire la cel mai apropiat agent de service.

Program de întreținere

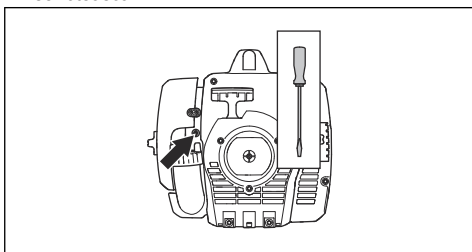
Întreținerea	Zilnic	Săptămănal	Lunar
Curățați suprafața exterioră.	X		
Curățați filtrul de aer. Înlocuiți dacă este necesar.	X		
Verificați funcționarea blocatorului pârghiei de accelerație și accelerația.	X		
Verificați butonul de oprire.	X		
Verificați apărătorile.	X		
Verificați capul de tuns.	X		
Verificați piulița de blocare.	X		
Verificați să nu existe scurgeri de combustibil.	X		
Asigurați-vă că lama de tăiat iarba este aliniată cu centrul, că este ascuțită și că nu prezintă deteriorări ale cuștului sau ale orificiului central.	X		
Verificați ca accesoriul de tăiere să nu se rotească la turația de mers în gol.	X		
Aplicați unsoare pe arborele din două componente.		X	
Verificați mânerul șnurului de pornire și șnurul propriu-zis.		X	
Verificați ungera angrenajului conic.		X	
Curățați suprafața exterioră a bujiei. Scoateți bujia și măsurați apărătoarea electrozudului. Reglați apărătoarea electrozudului sau schimbați bujia.		X	
Curățați sistemul de răcire.		X	
Curățați sau înlocuiți ecranul extingtorului de scânteie de pe amortizorul de zgomot.		X	
Curățați suprafața exterioră a carburatorului și zona din jurul acesteia.		X	
Verificați dacă există contaminare pe filtrul de carburant.			X
Verificați integritatea furtunului de carburant.			X
Verificați toate cablurile și conexiunile.			X

Întreținerea	Zilnic	Săptămănal	Lunar
Verificați dacă sunt uzate ambreiajul, arcurile ambreiajului și tamburul ambreiajului.			X
Înlocuiți bujia.			X

Reglarea turației de mers în gol

Asigurați-vă că filtrul de aer este curat și că s-a executat montarea capacului filtrului de aer, înainte de a regla turația de mers în gol.

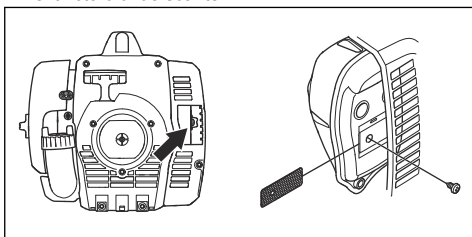
1. Rotiți șurubul T pentru turația de mers în gol, care este identificat cu un marcaj „T”, în sensul acelor de ceasornic, până când accesoriul de tăiere începe să se rotească.



2. Rotiți șurubul T pentru turația de mers în gol, care este identificat cu un marcaj „T”, în sensul opus acelor de ceasornic, până când accesoriul de tăiere se oprește.
3. Turația de mers în gol trebuie să fie sub valoarea la care accesoriul de tăiere începe să se rotească. Turația de mers în gol este corectă când motorul funcționează uniform în toate pozițiile.

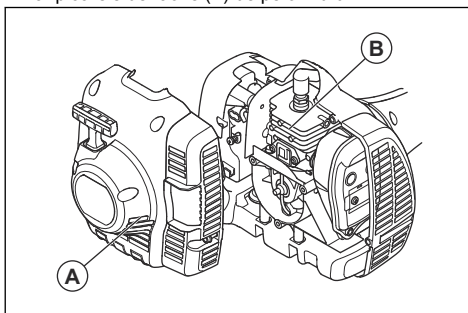
Efectuarea operațiilor de întreținere la ecranul extingtorului de scântei

- Utilizați o perie de sârmă, pentru a curăța ecranul extingtorului de scântei.



Curățarea sistemului de răcire

- Curățați cu o perie priza de aer (A) pe demaror și aripioarele de răcire (B) de pe cilindru.



Verificarea bujiei

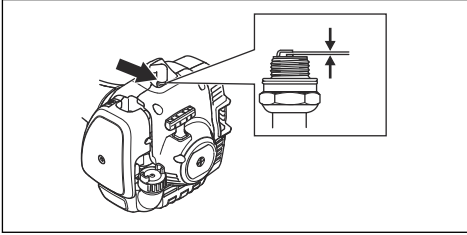


ATENȚIE: Utilizați o bujie recomandată.

Asigurați-vă că piesa de schimb coincide cu piesa recomandată de producător. O bujie incorectă poate cauza deteriorarea produsului. Asigurați-vă că bujia este instalată cu un amortizor. Adresați-vă reprezentantului de service pentru informații suplimentare.

1. Verificați bujia când:
 - a) puterea motorului este scăzută.
 - b) motorul pornește cu dificultate.
 - c) motorul nu funcționează corect la turația de mers în gol.
2. Dacă motorul pornește sau funcționează cu dificultate, verificați dacă bujia nu prezintă materiale nedorite. Pentru a reduce riscul prezenței materialelor nedorite la electrozii bujiei:
 - a) asigurați-vă că turația de mers în gol este reglată corect.
 - b) asigurați-vă că amestecul este corect.
 - c) asigurați-vă că filtrul de aer este curat.

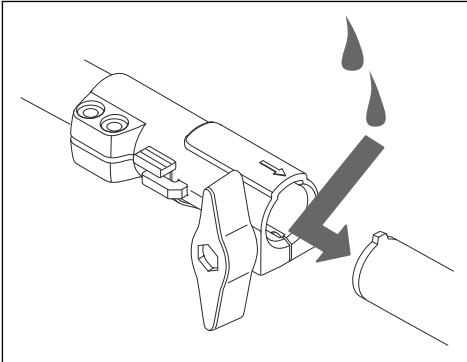
3. Curățați bujia dacă este murdară. Asigurați-vă că aparătoarea electrodului este corectă. Consultați *Date tehnice la pagina 413.*



4. Înlocuiți bujia atunci când este necesar.

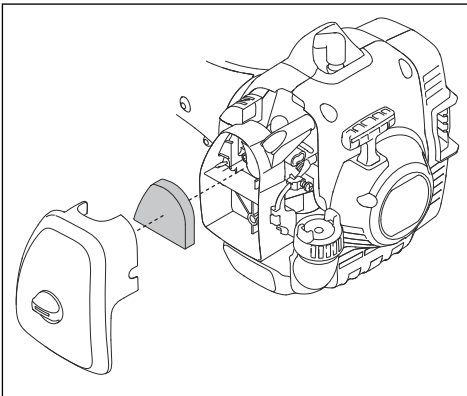
Pentru a aplica unsoare la arborele din două componente

- Aplicați unsoare la capătul arborelui conducător după fiecare 30 de ore de funcționare.



Pentru a curăța filtrul de aer

1. Îndepărtați capacul filtrului de aer și scoateți filtrul de aer.



2. Curățați filtrul de aer, folosind apă caldă cu săpun. Asigurați-vă că filtrul de aer este uscat, înainte de a-l instala.
3. Înlocuiți filtrul de aer dacă este prea murdar pentru a fi curățat în totalitate. Înlocuiți întotdeauna un filtru de aer deteriorat.
4. Dacă produsul dvs. dispune de un filtru de aer cu spumă, aplicați ulei pentru filtre de aer. Aplicați ulei pentru filtre de aer numai la un filtru cu spumă. Nu aplicați ulei pe un filtru din păslă.

Pentru a aplica ulei pentru filtre de aer la filtrul de aer

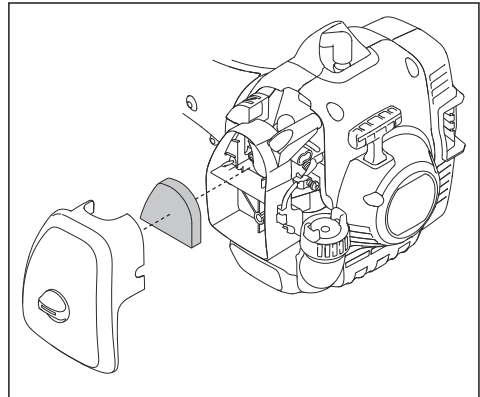


ATENȚIE: Utilizați întotdeauna ulei special pentru filtre de aer la filtrele cu spumă. Nu utilizați alte tipuri de ulei.

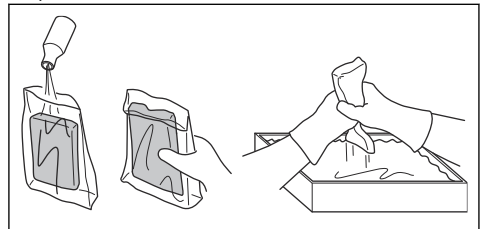


AVERTISMENT: Nu lăsați uleiul să intre în contact cu corpul.

1. Îndepărtați capacul filtrului de aer și scoateți filtrul de aer.



2. Introduceți filtrul de aer într-un recipient din plastic.
3. Introduceți uleiul pentru filtre de aer în recipientul din plastic.

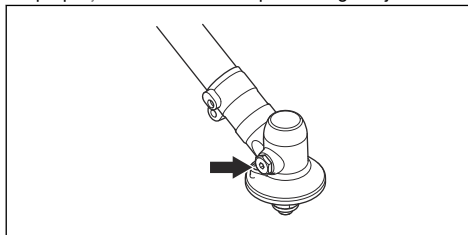


4. Apăsăți pe recipientul de plastic pentru a vă asigura că uleiul se distribuie egal pe filtrul de aer.

5. Apăsăți filtrul de aer aflat în recipient pentru a elimina uleiul pentru filtru de aer care nu este necesar. Scoateți filtrul de aer din recipient.
6. Instalați filtrul de aer.

Adăugarea de unsoare la angrenajul conic

- Verificați ca angrenajul conic să fie umplut în proporție de $\frac{3}{4}$ cu unsoare pentru angrenaje conice.



Depanarea

Motorul nu pomește

Verificați	Cauza posibilă	Procedură
Clichete de pornire.	Clichetele de pornire nu se mișcă liber.	Scoateți capacul demarorului și curățați în jurul clichetelor de pornire.
		Contactați un reprezentant de service autorizat.
Rezervor de carburant.	Tip de carburant incorect.	Goliți rezervorul de carburant și umpleți cu carburantul corect.
Bujie.	Bujia este murdară sau udă.	Asigurați-vă că bujia este uscată și curată.
	Distanța dintre electrozii bujei este incorectă.	Curățați bujia. Asigurați-vă că apărătoarea electrodului este corectă. Asigurați-vă că bujia este prevăzută cu un descărcător.
		Consultați <i>Date tehnice la pagina 413</i> pentru apărătoarea corectă a electrodului.
	Bujia este slăbită.	Strângeți bujia.

Motorul pomește, dar se oprește din nou

Verificați	Cauza posibilă	Procedură
Rezervor de carburant	Tip de carburant incorect.	Goliți rezervorul de carburant și umpleți-l cu carburantul corect.
Filtru de aer	Filtrul de aer este înfundat.	Curățați filtrul de aer.

Transportul și depozitarea

- Lăsați întotdeauna produsul să se răcească înainte de a-l depozita.
- Pentru depozitarea și transportul produsului și a carburantului, asigurați-vă că nu există scurgeri și gaze. Scântelele sau flăcările deschise, de exemplu cele provenite de la dispozitive sau boilere electrice, pot cauza un incendiu.
- Utilizați întotdeauna recipiente omologate pentru depozitarea și transportarea combustibilului.
- Goliți combustibilul înainte de transportare și înainte de a-l depozita pe termen lung. Eliminați combustibilul într-o locație de eliminare autorizată.
- Montați apărătoarea pentru transport pe durata transportului și a depozitării.
- Scoateți pipa bujiei din bujie.
- Fixați produsul în timpul transportului. Asigurați-vă că acesta nu se poate mișca.
- Curățați produsul și efectuați operațiile de service la acesta înainte de depozitarea pe termen lung.

Date tehnice

Date tehnice

	122C	122LK
Motor		
Cilindree, cm ³	21,7	21,7
Turație de mers în gol, rot/min	2900	2900
Turația max. recomandată, rot/min	7200	9100
Turația arborelui de ieșire, rot/min	7200	6232
Putere / leșire max. a motorului, conf. ISO 8893, kW/cp la rot/min	0,6/0,8 la 7800	0,6/0,8 la 7800
Amortizor de zgomot al convertorului catalitic	Da	Da
Sistem de aprindere controlat de viteză	Nu	Nu
Sistem de aprindere		
Bujie	HQT-4 672201	HQT-4 672201
Distanță între electrozi, mm	0,5	0,5
Sistemul de alimentare cu carburant		
Capacitate rezervor de combustibil, l/cm ³	0,3/300	0,3/300
Greutate		
Greutate fără carburant, accesoriu de tăiere și apărătoare, kg	4,4	4,8
Emisii de zgomot ⁶¹		
Nivel de putere a zgomotului, măsurat, dB(A)	102	104

⁶¹ Emisiile de zgomot în mediu măsurate ca putere acustică (L_{WA}) în conformitate cu directiva CE 2000/14/CE. Nivelul de putere a zgomotului raportat pentru produs a fost măsurat cu accesoriul original de tăiere care emite cel mai ridicat nivel. Diferența dintre puterea garantată a zgomotului și cea măsurată este aceea că puterea garantată a zgomotului include, de asemenea, dispersia în rezultatul de măsurare și variațiile dintre diferitele produse ale aceluiași model conform Directivei 2000/14/CE.

	122C	122LK
Nivel de putere a zgomotului, garantat (L_{WA}), dB(A)	104	108
Nivele de zgomot ⁶²		
Nivel echivalent de presiune acustică la urechea operatorului, măsurat conform EN/ISO 11806 și ISO 22868, dB(A):	88	90
Niveluri de vibrații ⁶³		
Nivel de vibrații echivalent ($a_{hv, eq}$), echipat cu cap de tuns, mâner stânga, m/s^2	5,0	3,6
Nivel de vibrații echivalent ($a_{hv, eq}$), echipat cu cap de tuns, mâner dreapta, m/s^2	3,6	3,5

Accesorii

Accesorii

122C		
Accesorii aprobate	Tip	Apărătoarea accesoriului de tăiere
Arbore filetat	3/8 R	–
Cap de tuns	T25 (fir Ø 2,0 - 2,4 mm)	574 47 95-01
	T25C (fir Ø 2,0 - 2,7 mm)	
	R25 (fir Ø 2,0 - 2,4 mm)	
122LK		
Accesorii aprobate	Tip	Apărătoarea accesoriului de tăiere
Arbore filetat	M10	–
Cap de tuns	T25 (fir Ø 2,0 - 2,4 mm)	574 19 87-01
	R25 (fir Ø 2,0 - 2,4 mm)	

Următoarele accesorii sunt recomandate pentru modelele specificate.

Accesorii aprobate	Tip	Se utilizează cu
Accesoriul de suflare pentru curățare	SR600-2	122LK
Accesoriul foarfece de grădină	HA200	122LK
Accesoriul foarfece de grădină	HA860	122LK

⁶² Datele raportate pentru nivelul echivalent de presiune a zgomotului pentru produs prezintă o dispersie statistică tipică (abatere standard) de 1 dB (A).

⁶³ Datele raportate pentru nivelul echivalent de vibrații includ o dispersie statistică tipică (abatere standard) de 1 m/s^2 .

Accesorii aprobate	Tip	Se utilizează cu
Accesorii de bordurare	ECA850, ESA860	122LK
Accesorii ferăstrău	PA1100	122LK
Accesorii de extensie	EX780	122LK
Accesorii cultivator	CA230	122LK
Accesorii de suflantă	BA101	122LK
Accesorii perie	BR600	122LK
Accesorii scarificator	DT600	122LK

Declarație de conformitate

Declarație de conformitate UE

Noi, Husqvarna AB, SE-561 82 Husqvarna, Suedia,
tel.: +46-36-146500, declarăm pe propria răspundere că
produsul:

Descriere	Trimmer/Motocoasă pentru iarbă, pe benzină
Marcă	Husqvarna
Tip/Model	122C, 122LK
Identificare	Serie cu data 2022 și în continuare

respectă în totalitate următoarele directive și
reglementări UE:

Reglementare	Descriere
2006/42/CE	„privind utilajele”
2014/30/UE	„aferentă compatibilității electromagnetice”
2000/14/CE	„privind zgomotul exterior”
2011/65/UE	„restricționarea utilizării anumitor substanțe periculoase”

Au fost aplicate următoarele standarde:

EN ISO 12100:2010, EN ISO 11806-1:2011, ISO
14982:1998, CISPR 12:2007+A1:2009, EN IEC
63000:2018

RISE SMP Svensk Maskinprovning AB, Box 7035,
SE-750 07 Uppsala, Sweden, a efectuat examinarea
voluntară de tip în numele Husqvarna AB.

CertIFICATELE SUNT NUMEROTATE: 122C - SEC/10/2271,
122LK - SEC/10/2272

RISE SMP Svensk Maskinprovning AB, a verificat,
de asemenea, conformitatea cu anexa V a Directivei
Consiliului 2000/14/CE.

CertIFICATELE SUNT NUMEROTATE: 122C - 01/164/068, 122LK
- 01/164/067.

Husqvarna 2022-05-13



Claes Losdal, Manager Cercetare și dezvoltare,
Husqvarna AB

Responsabil pentru documentația tehnică



Содержание

Введение.....	417	Поиск и устранение неисправностей.....	434
Безопасность.....	420	Транспортировка и хранение.....	435
Сборка.....	425	Технические данные.....	435
Эксплуатация.....	427	Принадлежности.....	436
Техническое обслуживание.....	431	Декларация о соответствии.....	438

Введение

Описание изделия

Изделие представляет собой триммер с двигателем внутреннего сгорания.

Мы постоянно совершенствуем свою продукцию с целью повысить вашу безопасность и эффективность во время работы. Для получения более подробной информации обратитесь к своему дилеру по обслуживанию.

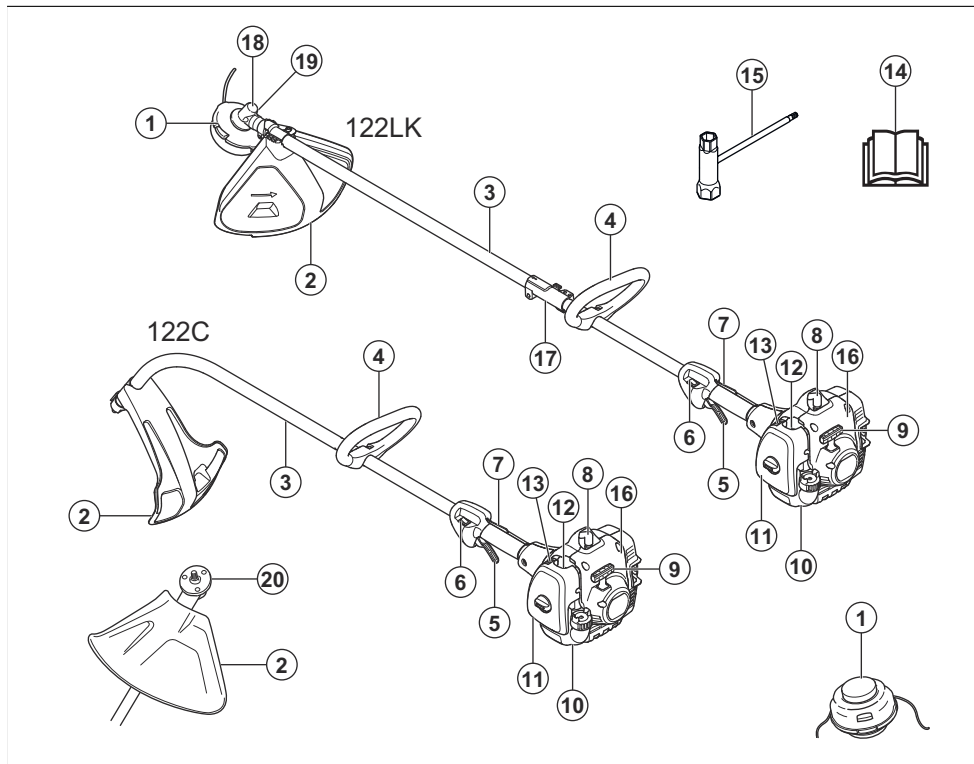
Назначение

Изделие используется вместе с головкой триммера для кошения травы. Изделие разрешается

использовать только для кошения травы и триммерной стрижки травы.

Примечание: Государственные нормативы могут накладывать ограничения на эксплуатацию данного изделия.

Обзор изделия



1. Головка триммера
2. Щиток режущего оборудования
3. Штанга
4. Петельная рукоятка
5. Рычаг дросселя
6. Выключатель
7. Стопор рычага дросселя
8. Колпачок и свеча зажигания
9. Ручка шнура стартера
10. Топливный бак
11. Крышка воздушного фильтра
12. Груша нагнетателя
13. Заслонка
14. Руководство по эксплуатации
15. Комбинированный ключ
16. Кожух стартера
17. Соединительная муфта штанги
18. Угловая зубчатая передача
19. Колпачок отверстия для заправки консистентной смазки, зубчатая передача
20. Ведущий диск

Символы на изделии



ПРЕДУПРЕЖДЕНИЕ! Данное изделие является опасным инструментом. Небрежная или неправильная эксплуатация может привести к травме или смерти оператора или посторонних наблюдателей. Во избежание травм оператора или посторонних наблюдателей прочитайте и соблюдайте все инструкции по безопасности, приведенные в руководстве по эксплуатации.



Перед началом работы внимательно прочитайте руководство по эксплуатации и убедитесь, что понимаете приведенные в нем инструкции.



Используйте защитный шлем в тех местах, где существует вероятность падения предметов. Используйте одобренные средства защиты органов слуха. Используйте одобренные средства защиты глаз.



Максимальная частота вращения выходного вала.



Изделие соответствует действующим директивам ЕС.



Изделие может отбрасывать предметы, что может стать причиной травмы.



Посторонние лица и животные должны находиться на расстоянии не менее 15 м от работающего изделия.



Используйте одобренные защитные перчатки.



Надевайте защитные ботинки с нескользящей подошвой.



Используйте только гибкий триммерный корд. Не используйте металлическое режущее оборудование.



Табличка с уровнем эмиссии шума в окружающую среду в соответствии с директивами и нормативами Европейского союза, Великобритании и законодательством Нового Южного Уэльса "Регламент 2017 года по защите окружающей среды (контроль уровня шума)". Гарантированный уровень мощности звука изделия указан в разделе *Технические данные на стр. 435* и на табличке.



Пример.



Воздушная заслонка.



Данное изделие соответствует действующим директивам Великобритании.

uuuuwwxxxx

На паспортной табличке указан серийный номер. **uuu** означает год производства, **ww** — производственную неделю.

Примечание: Остальные символы/наклейки на изделии отвечают требованиям, предъявляемым к сертификации в других коммерческих зонах.

Соответствие уровня токсичных выбросов стандарту Euro V



ПРЕДУПРЕЖДЕНИЕ: В случае вмешательства в работу двигателя данное изделие перестанет соответствовать нормативам ЕС.

Служба поддержки клиентов

Для получения технической поддержки позвоните по телефону: 1-800-487-5951 или зайдите на сайт www.husqvarna.com.

Ответственность изготовителя

В соответствии с законами об ответственности изготовителя мы не несем ответственности за ущерб, вызванный эксплуатацией нашего изделия в результате:

- ненадлежащего ремонта изделия;
- использования для ремонта изделия неоригинальных деталей или деталей, не одобренных производителем;
- использования неоригинальных дополнительных принадлежностей или принадлежностей, не одобренных производителем;
- ремонта изделия в неавторизованном сервисном центре или неквалифицированным специалистом;

Безопасность

Инструкции по технике безопасности

Предупреждения, предостережения и примечания используются для выделения особо важных пунктов руководства.



ПРЕДУПРЕЖДЕНИЕ:

Используется, когда несоблюдение инструкций руководства может привести к травмам или смерти оператора или находящихся рядом посторонних лиц.



ВНИМАНИЕ: Используется, когда несоблюдение инструкций руководства может привести к повреждению изделия, других материалов или прилегающей территории.

Примечание: Используется для предоставления дополнительных сведений о конкретной ситуации.

Общие инструкции по технике безопасности



ПРЕДУПРЕЖДЕНИЕ: в обязательном порядке прочитайте следующие инструкции по технике безопасности, прежде чем приступить к эксплуатации изделия.

- Пользуйтесь изделием правильно. Неправильное использование может привести к травме или смертельному исходу. Изделие предназначено только для выполнения работ, описанных в данном руководстве. Запрещается использовать изделие для других видов работ.
- Соблюдайте инструкции, изложенные в данном руководстве. Обращайте внимание на знаки безопасности и следуйте инструкциям по технике безопасности. Несоблюдение оператором инструкций и знаков может привести к травме, повреждениям или смерти.
- Не выбрасывайте это руководство. Следуйте инструкциям по сборке, эксплуатации и уходу за изделием. Используйте эти инструкции для правильной установки насадок и дополнительных принадлежностей. Используйте только апробированные насадки и аксессуары.
- Не используйте поврежденное изделие. Соблюдайте график техобслуживания. Выполняйте самостоятельно только те работы по техобслуживанию, которые описаны в данном руководстве. Все другие работы по техобслуживанию должны выполняться авторизованным сервисным центром.
- В данное руководство невозможно включить все ситуации, которые могут возникнуть при использовании изделия. Будьте осторожны и руководствуйтесь здравым смыслом. Если вы не уверены в ситуации, не используйте изделие и не выполняйте его техобслуживание. Для получения необходимой информации обратитесь к специалисту по продукции, дилеру, специалисту по обслуживанию или в авторизованный сервисный центр.
- Отсоединяйте кабель свечи зажигания перед сборкой изделия, помещением его на хранение или проведением техобслуживания.
- Запрещается использовать изделие, если были изменены его исходные технические характеристики. Запрещено вносить изменения в конструкцию изделия без одобрения производителя. Используйте только рекомендованные производителем запчасти. Неправильное техобслуживание может привести к травме или смертельному исходу.
- Не вдыхайте выхлопные газы двигателя. Продолжительное вдыхание выхлопных газов двигателя опасно для здоровья.
- Запрещается запускать изделие в помещении или рядом с легковоспламеняющимися материалами. Выхлопные газы имеют высокую температуру и могут содержать искры, которые в свою очередь могут привести к пожару. Недостаточная вентиляция может привести к травме или смерти в результате удушья или отравления угарным газом.
- Во время работы вокруг двигателя создается электромагнитное поле. Электромагнитное поле может привести к повреждению медицинских имплантатов. Проконсультируйтесь с врачом и изготовителем имплантата перед использованием изделия.
- Не позволяйте детям использовать изделие. Не разрешайте пользоваться изделием людям, которые не знакомы с данными инструкциями.
- Не позволяйте людям с ограниченными физическими или умственными способностями пользоваться данным изделием без присмотра. Они должны постоянно находиться под присмотром взрослого.
- Запирайте изделие в месте, не доступном для детей и лиц, не допущенных к эксплуатации изделия.
- Во время работы изделие может отбрасывать находящиеся на земле предметы, что может привести к травме. Чтобы уменьшить риск получения серьезных или смертельных травм, соблюдайте инструкции по технике безопасности.

- Запрещается оставлять изделие с работающим двигателем без присмотра.
- При возникновении несчастного случая ответственность несет оператор изделия.
- Перед использованием изделия проверьте детали на отсутствие повреждений.
- Перед началом эксплуатации изделия убедитесь, что вы находитесь на расстоянии не менее 15 м (50 футов) от других людей или животных. Убедитесь, что находящиеся поблизости люди знают, что вы будете использовать изделие.
- Соблюдайте требования национальных или местных законов. В некоторых случаях они могут запрещать или ограничивать использование изделия.
- Ни в коем случае не используйте изделие, если вы устали или находитесь под воздействием спиртного, наркотических веществ или лекарственных препаратов. Они могут повлиять на ваше зрение, реакцию, координацию или оценку действительности.
- Не пользуйтесь изделием, если вы не сможете получить помощь при несчастном случае. Прежде чем начать использовать изделие, всегда сообщайте об этом другим людям.
- Не поворачивайтесь с изделием, не убедившись в отсутствии людей или животных в опасной зоне.
- Перед началом работы уберите все посторонние материалы из рабочей зоны. При ударе режущего оборудования о предмет последний может отскочить и привести к травме или повреждению. Посторонние материалы могут намататься на режущее оборудование и привести к повреждению.
- Запрещается пользоваться изделием в плохую погоду (при тумане, дожде, сильном ветре, опасности удара молнии и других погодных явлениях). Плохие погодные условия могут создавать опасные условия для работы (например, скользкие поверхности).
- Убедитесь, что вы можете свободно перемещаться и работать в устойчивом положении.

Инструкции по технике безопасности во время сборки

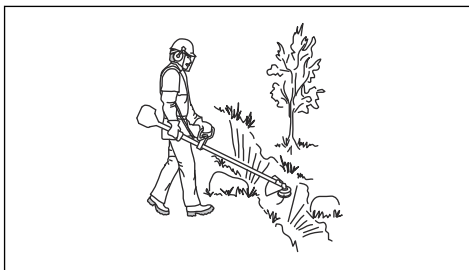


ПРЕДУПРЕЖДЕНИЕ: В обязательном порядке прочитайте следующие инструкции по технике безопасности, прежде чем приступать к эксплуатации изделия.

- Перед сборкой изделия снимите со свечи зажигания колпак свечи зажигания.
- Используйте проверенные защитные перчатки.
- Перед запуском двигателя проверьте правильность установки крышки и вала.

Инструкции по технике безопасности во время эксплуатации

- Прежде чем использовать изделие, убедитесь, что оно полностью собрано.
- Перед запуском уберите изделие на 3 м (10 футов) от места, в котором вы наполняли топливный бак. Положите изделие на ровную поверхность. Убедитесь, что режущее оборудование не касается грунта или других объектов.
- Изделие может отбрасывать находящиеся на земле предметы, что может причинить вред глазам. Всегда пользуйтесь одобренными средствами защиты глаз при использовании изделия.
- Будьте осторожны, во время работы к изделию может незаметно приблизиться ребенок.
- Не пользуйтесь изделием, если в рабочей зоне находятся другие люди. Выключайте изделие при входе другого человека в рабочую зону.
- Всегда держите изделие под контролем.



- Убедитесь в отсутствии риска падения во время использования изделия. Запрещается наклоняться во время эксплуатации изделия.
- Всегда держите изделие двумя руками. Держите изделие с правой стороны от тела.



- Во время работы держите режущее оборудование ниже пояса.
- Если при запуске двигателя заслонка находится в закрытом положении, режущее оборудование начинает вращаться.
- Не прикасайтесь к зубчатой передаче после остановки двигателя. После остановки двигателя

она имеет высокую температуру. Горячие поверхности могут стать причиной травм.

- Выключайте двигатель перед перемещением изделия.
- Запрещается класть изделие на землю с работающим двигателем.
- Чтобы очистить изделие от посторонних материалов, выключите двигатель и дождитесь полной остановки режущего оборудования. Дождитесь остановки режущего оборудования, прежде чем вы или ваш помощник уберет срезанный материал.

Средства индивидуальной защиты



ПРЕДУПРЕЖДЕНИЕ: В обязательном порядке прочитайте следующие инструкции по технике безопасности, прежде чем приступить к эксплуатации изделия.

- Каждый раз при работе с изделием следует использовать одобренные средства индивидуальной защиты. Средства индивидуальной защиты не могут полностью исключить риск получения травмы, но при несчастном случае они снижают тяжесть травмы. За помощью по правильному выбору оборудования обращайтесь к дилеру.
- Используйте защитный шлем в тех случаях, когда существует вероятность падения предметов.
- Следует пользоваться одобренными защитными наушниками с достаточным уровнем подавления шума. Продолжительное воздействие шума может повлечь неизлечимое ухудшение слуха.
- Используйте одобренные средства защиты глаз. При использовании защитной маски следует пользоваться также одобренными защитными очками. Под одобренными защитными очками подразумеваются очки, отвечающие требованиям стандарта ANSI Z87.1 для США или EN 166 для стран ЕС.
- Используйте маску для защиты лица. Для защиты глаз недостаточно использовать маску.



- При необходимости надевайте перчатки, например, при закреплении, проверке или очистке режущего оборудования.
- Надевайте прочную обувь с нескользящей подошвой.
- Надевайте одежду из прочного материала. Всегда надевайте длинные прочные брюки и верхнюю одежду с длинными рукавами. Запрещается надевать свободную одежду,

которая может зацепиться за ветви или кустарник. Не надевайте ювелирные украшения, шорты, сандалии и не ходите босиком. Зафиксируйте волосы выше уровня плеч.



- Средства оказания первой помощи всегда должны быть под рукой.



Защитные устройства на изделии

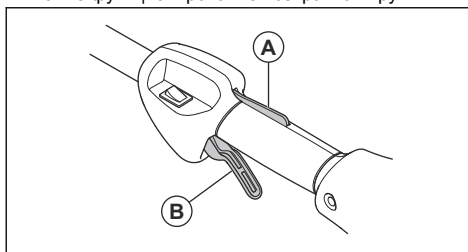


ПРЕДУПРЕЖДЕНИЕ: В обязательном порядке прочитайте следующие инструкции по технике безопасности, прежде чем приступить к эксплуатации изделия.

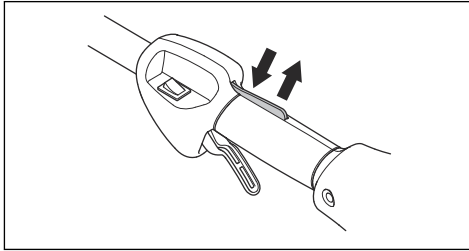
- Запрещается использовать изделие с неисправными защитными устройствами.
- Регулярно выполняйте проверку защитных устройств. См. раздел *График технического обслуживания на стр. 431*.
- Если защитные устройства неисправны, обратитесь к своему сервисному дилеру Husqvarna.

Проверка стопора рычага дросселя

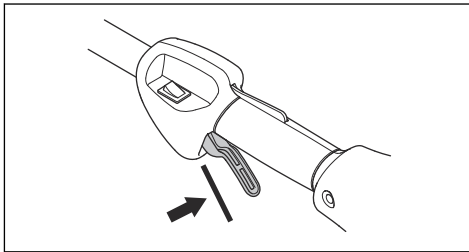
1. Проверьте плавность срабатывания дроссельного регулятора (B) и его стопора (A), а также функционирование возвратной пружины.



2. Нажмите на стопор дроссельного регулятора и убедитесь, что он возвращается в исходное положение при отпускании.



3. Убедитесь, что при отпускании стопора дроссельный регулятор блокируется в положении холостого хода.



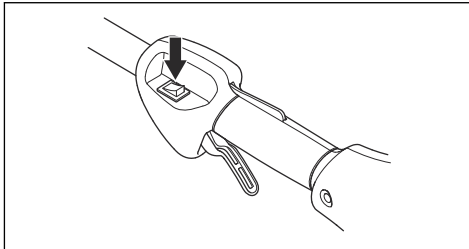
4. Запустите изделие на полной мощности.
5. Отпустите дроссельный регулятор и убедитесь, что лезвия останавливаются и остаются неподвижными.



ПРЕДУПРЕЖДЕНИЕ: Если лезвия двигаются, когда дроссельный регулятор находится в положении холостого хода, необходимо отрегулировать холостой ход карбюратора. См. раздел *Регулировка скорости холостого хода на стр. 432.*

Проверка выключателя

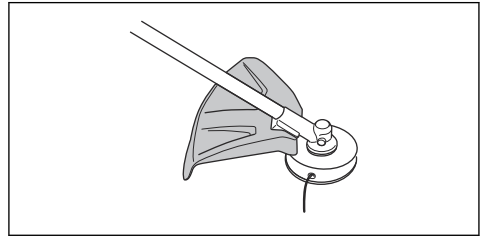
1. Запустите двигатель.
2. Переместите выключатель в положение останова и убедитесь, что двигатель останавливается.



Проверка щитка режущего оборудования

Щиток режущего оборудования предотвращает выброс предметов в сторону оператора. Он также позволяет избежать травм в случае соприкосновения оператора с режущим оборудованием.

1. Остановите двигатель.
2. Осмотрите на наличие повреждений, например, трещин.



3. Если щиток режущего оборудования поврежден, замените его.

Глушитель

- Запрещается использовать двигатель с поврежденным глушителем. Поврежденный глушитель повышает уровень шума и риск пожара. Держите огнетушитель в пределах досягаемости.
- Периодически проверяйте надежность крепления глушителя к корпусу изделия.
- Не прикасайтесь к двигателю или глушителю во время работы двигателя. Не прикасайтесь к двигателю или глушителю в течение некоторого времени после выключения двигателя. Горячие поверхности могут стать причиной травм.
- Горячий глушитель может стать причиной пожара. Соблюдайте осторожность при использовании изделия вблизи легковоспламеняющихся жидкостей или газов.
- Не прикасайтесь к деталям глушителя, если он поврежден. На деталях могут находиться канцерогенные химические вещества.

Режущее оборудование



ПРЕДУПРЕЖДЕНИЕ: В обязательном порядке прочитайте следующие инструкции по технике безопасности, прежде чем приступить к эксплуатации изделия.

- Регулярно выполняйте техобслуживание. Ваш авторизованный сервисный центр должен регулярно проверять режущее оборудование и выполнять необходимую регулировку и ремонт.
- Повышается эффективность режущего оборудования.

- Увеличивается срок службы режущего оборудования.
- Уменьшается риск несчастных случаев.
- Используйте только одобренный щиток режущего оборудования. См. раздел *Принадлежности на стр. 436*.
- Не используйте поврежденное режущее оборудование.

Техника безопасности в отношении топлива



ПРЕДУПРЕЖДЕНИЕ: В обязательном порядке прочитайте следующие инструкции по технике безопасности, прежде чем приступить к эксплуатации изделия.

- Не смешивайте топливо в помещении или рядом с источником тепла.
- Запрещается запускать изделие, если на него попало топливо или моторное масло. Удалите постороннее топливо/масло и дайте изделию высохнуть. Удалите постороннее топливо с поверхности изделия.
- Если топливо попало на одежду, немедленно смените ее.
- Не допускайте попадания топлива на тело, это может причинить вред здоровью. При попадании топлива на тело смойте его водой с мылом.
- Запрещается запускать двигатель, если вы пролили масло или топливо на изделие или тело.
- Запрещается запускать изделие при наличии утечки из двигателя. Регулярно проверяйте двигатель на наличие утечек.
- Соблюдайте осторожность при обращении с топливом. Топливо является легковоспламеняющейся жидкостью со взрывоопасными парами и может привести к серьезным или смертельным травмам.
- Запрещается вдыхать пары топлива, т. к. это может причинить вред здоровью. Убедитесь в наличии достаточного потока воздуха.
- Запрещается курить вблизи топлива или двигателя.
- Запрещается ставить теплые предметы рядом с топливом или двигателем.
- Запрещается доливать топливо при работающем двигателе.
- Прежде чем заправить изделие, убедитесь, что двигатель полностью остыл.
- Перед заправкой топлива медленно откройте крышку топливного бака и осторожно сбросьте давление.
- Убедитесь в наличии достаточной вентиляции при заправке изделия, подготовке топливной смеси (бензин и масло для двухтактных двигателей) или при сливе топлива из бака.

- Топливо и испарения топлива крайне пожароопасны и могут привести к тяжелым травмам при вдыхании и контакте с кожей. Поэтому будьте осторожны при обращении с топливом и обеспечьте достаточную вентиляцию.
- Аккуратно затяните крышку топливного бака во избежание возгорания.
- Переместите изделие минимум на 3 м (10 футов) от места заправки топливом, прежде чем запустить его.
- Не наливайте в топливный бак слишком много топлива.
- Убедитесь, что при перемещении изделия или емкости для топлива невозможно возникновение утечки.
- Запрещает размещать изделие или емкость для топлива вблизи открытого огня, искр или горящих фитилей. Убедитесь, что в месте хранения отсутствует открытый огонь.
- Используйте только одобренные емкости для переноски и хранения топлива.
- Сливайте топливо из топливного бака перед размещением изделия на длительное хранение. Соблюдайте требования местного законодательства в отношении места утилизации топлива.
- Очистите изделие, прежде чем поместить его на длительное хранение.
- Прежде чем поместить изделие на хранение, снимите колпачок свечи зажигания во избежание случайного запуска двигателя.

Инструкции по технике безопасности во время технического обслуживания



ПРЕДУПРЕЖДЕНИЕ: В обязательном порядке прочитайте следующие инструкции по технике безопасности, прежде чем приступить к эксплуатации изделия.

- Остановите двигатель, убедитесь в том, что режущее оборудование останавливается, и перед выполнением технического обслуживания дайте изделию остыть.
- Перед проведением технического обслуживания отсоедините колпак свечи зажигания.
- Выхлопные газы из двигателя содержат окись углерода — не имеющий запаха, токсичный и чрезвычайно опасный газ, который может стать причиной смерти. Запрещается эксплуатировать изделие в помещении или в замкнутых пространствах.
- Выхлопные газы двигателя имеют высокую температуру и могут содержать искры. Запрещается использовать изделие в помещении

или рядом с легковоспламеняющимися материалами.

- Использование принадлежностей или внесение изменений в конструкцию изделия, не одобренных производителем, может привести к серьезным или смертельным травмам. Запрещается вносить изменения в конструкцию изделия. Всегда пользуйтесь только оригинальными принадлежностями.
- При несоблюдении правил и сроков выполнения техобслуживания риск получения травмы или повреждения изделия возрастает.
- Выполняйте техобслуживание в строгом соответствии с инструкциями, приведенными в Руководстве по эксплуатации. Для проведения

всех других работ по обслуживанию обращайтесь в сервисный центр Husqvarna.

- Регулярно обращайтесь в авторизованный сервисный центр Husqvarna для проведения техобслуживания изделия.
- Замените поврежденные, сломанные или изношенные детали.
- См. инструкции по эксплуатации режущего оборудования для правильной установки триммерной лески и выбора подходящего диаметра лески.
- Режущие зубья ножа должны быть правильно заточены. Следуйте нашим рекомендациям. Инструкции по заточке также приведены на упаковке ножа.

Сборка

Введение



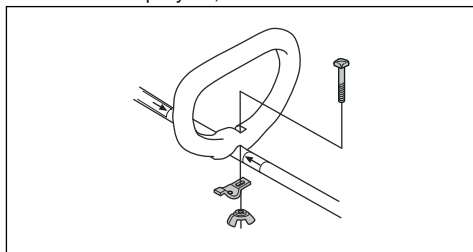
ПРЕДУПРЕЖДЕНИЕ: Перед сборкой изделия ознакомьтесь с разделом, посвященным безопасности, и усвойте его содержание.



ПРЕДУПРЕЖДЕНИЕ: Перед сборкой изделия снимите со свечи зажигания провод свечи зажигания.

Установка петлевой рукоятки

1. Установите петлевую рукоятку на штангу, как показано на рисунке, и затяните.

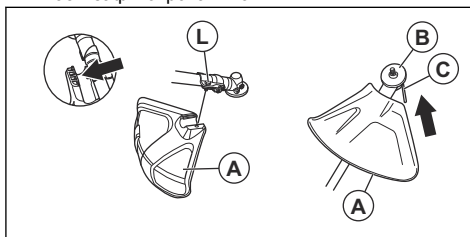


2. Помните, что петлевая рукоятка устанавливается между стрелками на штанге.

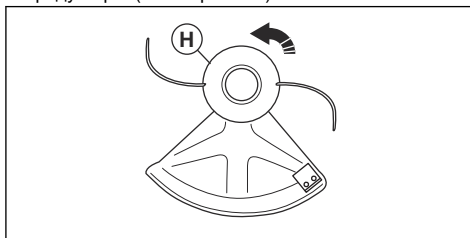
Установка щитка режущего оборудования и головки триммера (прямая штанга)

1. Закрепите щиток режущего оборудования (А) на штанге с помощью болта (L).
2. Наденьте ведущий диск (В) на выходной вал.
3. Поворачивайте выходной вал до тех пор, пока отверстие ведущего диска не совместится с отверстием в редукторе.

4. Вставьте небольшую отвертку (С) в отверстие, чтобы зафиксировать вал.

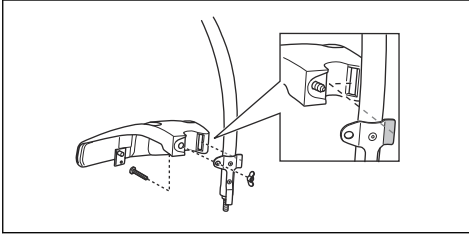


5. Поворачивайте головку триммера (Н) против часовой стрелки, чтобы закрепить головку на редукторе. (Левая резьба.)

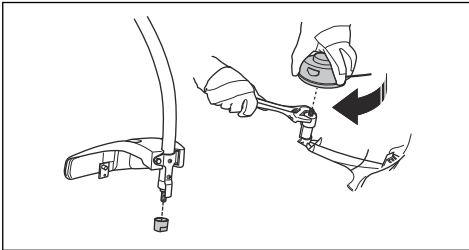


Установка щитка режущего оборудования и головки триммера (изогнутая штанга)

1. Установите щиток. Затяните гайку.



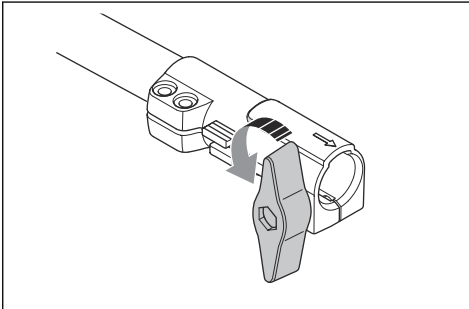
2. Закрепите пылезащитный колпачок на штанге.



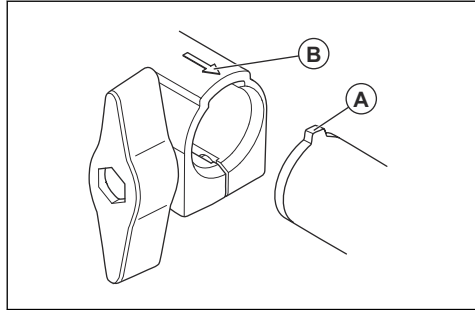
3. Удерживайте пылезащитный колпачок регулируемым гаечным ключом, чтобы предотвратить проворачивание штанги.
4. Установите головку триммера на штангу. Поверните головку триммера по часовой стрелке.

Сборка двухсекционной штанги

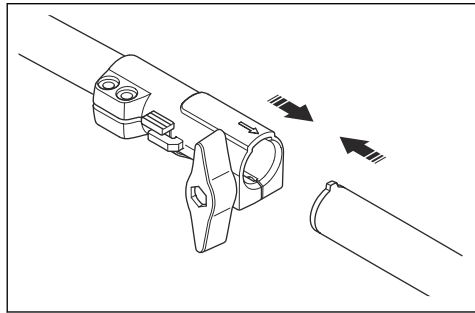
1. Поверните ручку, чтобы ослабить соединительную муфту.



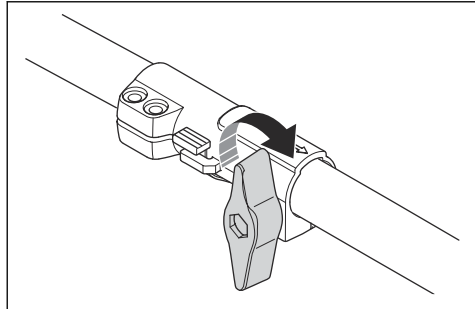
2. Совместите выступ (A) со стрелкой (B) на соединительной муфте.



3. Вставьте штангу в соединительную муфту до щелчка.

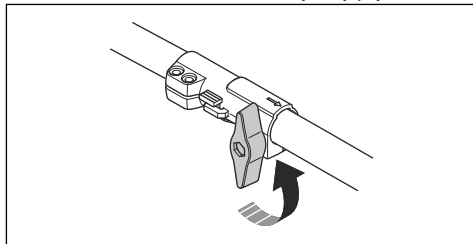


4. Затяните ручку до упора.



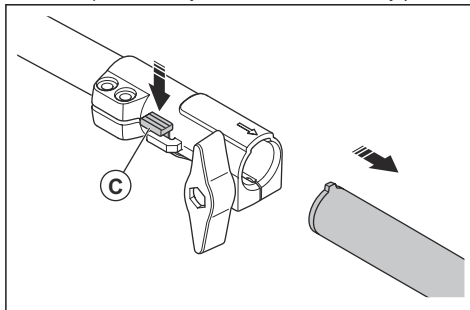
Разборка двухсекционной штанги

1. Поверните регулятор на 3 оборота или более, чтобы ослабить соединительную муфту.



2. Нажмите и удерживайте кнопку (С).
3. Крепко удерживайте конец штанги, к которому крепится двигатель.

4. Вытащите насадку из соединительной муфты.



Эксплуатация

Введение



ПРЕДУПРЕЖДЕНИЕ: Перед эксплуатацией прибора необходимо внимательно изучить раздел безопасности.



ВНИМАНИЕ: Не используйте бензин с октановым числом меньше 90 RON/87 AKI. При более низком октановом числе двигатель может производить стук, что в свою очередь может привести к повреждению двигателя.

Топливо

Данное изделие оборудовано двухтактным двигателем.



ВНИМАНИЕ: Заправка неподходящим типом топлива может привести к повреждению двигателя. Используйте смесь бензина и масла для двухтактных двигателей.

Масло для двухтактных двигателей

- Для достижения оптимальных результатов и мощности пользуйтесь маслом Husqvarna для двухтактных двигателей.
- Если у вас нет масла Husqvarna для двухтактных двигателей, вы можете использовать высококачественное масло, предназначенное для двухтактных двигателей с воздушным охлаждением. Для выбора правильного масла обратитесь к своему дилеру по обслуживанию.

Предварительно смешанное топливо

- Для обеспечения оптимальной производительности и продления срока службы двигателя используйте предварительно смешанное топливо-алкилат Husqvarna. Данный тип топлива содержит меньшее количество вредных веществ по сравнению с обычным топливом, что приводит к сокращению вредных выбросов. Такое топливо при сгорании образует меньшее количество остатков, благодаря чему компоненты двигателя остаются более чистыми.



ВНИМАНИЕ: Запрещается использовать масло, предназначенное для двухтактных двигателей с внешним водяным охлаждением, т.н. "outboard oil". Использовать масло для четырехтактных двигателей запрещается.

Смешивание топлива

Бензин

- Используйте неэтилированный бензин надлежащего качества с максимальным содержанием этанола 10%.

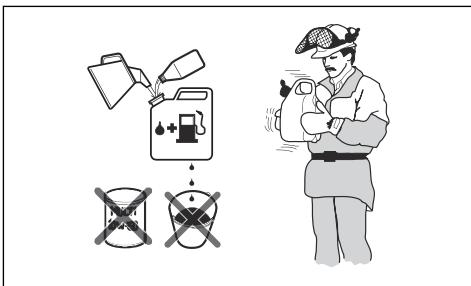
Смешивание бензина и масла для двухтактных двигателей

Бензин, л	Масло для двухтактных двигателей, л
	2% (50:1)

5	0,10
10	0,20
15	0,30
20	0,40



ВНИМАНИЕ: Небольшие неточности при смешивании небольшого количества топлива могут значительно повлиять на соотношение компонентов в смеси. Внимательно измеряйте количество масла, чтобы обеспечить правильное соотношение компонентов.



1. Добавьте половину количества бензина в чистую емкость для топлива.
2. Добавьте все количество масла.
3. Взболтайте топливную смесь.
4. Добавьте оставшуюся часть бензина в емкость.
5. Осторожно взболтайте топливную смесь.



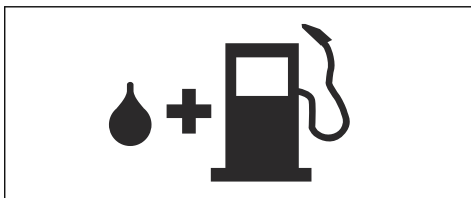
ВНИМАНИЕ: Срок хранения топливной смеси не должен превышать 1 месяца.

Заправка топливного бака



ПРЕДУПРЕЖДЕНИЕ: Следуйте приведенным ниже инструкциям для вашей безопасности.

1. Остановите двигатель и дайте ему остыть.
2. Очистите поверхность вокруг крышки топливного бака.



3. Взболтайте емкость и убедитесь, что топливо полностью смешалось.
4. Медленно снимите крышку топливного бака, чтобы стравить давление.
5. Заполните топливный бак.



ВНИМАНИЕ: Убедитесь, что в топливном баке не слишком много топлива. При нагреве топливо расширяется.

6. Аккуратно затяните крышку топливного бака.
7. Уберите пролитое топливо с изделия и вокруг него.
8. Перед запуском двигателя относите изделие в сторону не менее чем на 3 м / 10 футов от источника топлива и места заправки топливом.

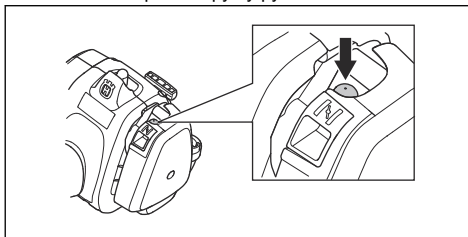
Примечание: Информацию по расположению топливного бака на изделии см. в разделе *Обзор изделия на стр. 418*.

Осмотр перед началом работы

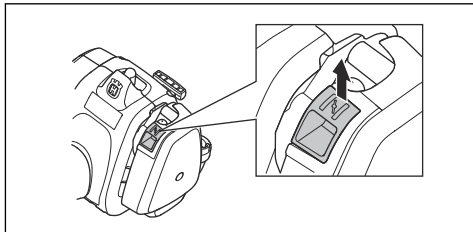
1. Убедитесь, что продукт не имеет поврежденных, ослабленных, отсутствующих или изношенных деталей.
2. Проверьте затяжку гаек, винтов и болтов.
3. Убедитесь, что головка триммера не имеет повреждений.
4. Убедитесь, что воздушный фильтр не засорен.
5. Убедитесь, что защитные устройства изделия исправны.
6. Убедитесь в отсутствии утечек топлива.

Запуск холодного двигателя

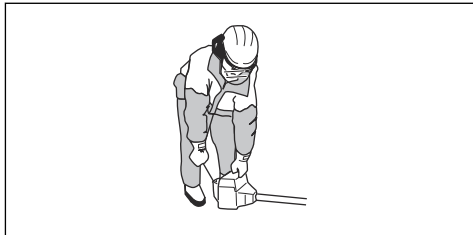
1. Нажмите 10 раз на грушу ручного нагнетателя.



2. Установите заслонку в закрытое положение.



3. Прижмите корпус изделия к земле левой рукой.



ВНИМАНИЕ: Не наступайте на изделие.

4. Правой рукой медленно потяните за ручку шнура стартера, пока не почувствуете сопротивление. Затем быстро и с усилием потяните за ручку шнура стартера, пока двигатель не запустится или не попытается запуститься.



ПРЕДУПРЕЖДЕНИЕ: Не наматывайте шнур стартера вокруг руки.

5. Установите заслонку в рабочее положение.

6. Если двигатель запустился, слегка нажмите на дроссельный регулятор и дайте двигателю поработать 60 секунд, чтобы прогреться. Если двигатель не запускается, тяните за ручку шнура стартера, пока двигатель не запустится. Затем слегка нажмите на дроссельный регулятор и дайте двигателю поработать 60 секунд, чтобы прогреться.



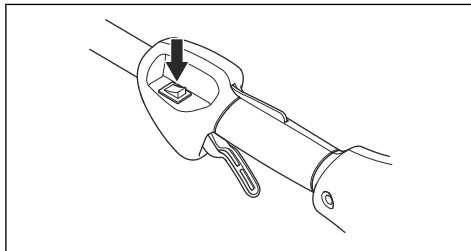
ВНИМАНИЕ: Не вытягивайте шнур стартера полностью и не выпускайте ручку шнура стартера. Это может привести к повреждению изделия. Медленно отпустите шнур стартера.

Запуск прогретого двигателя

1. Нажмите 10 раз на грушу ручного нагнетателя.
2. Тяните шнур стартера до запуска двигателя.

Остановка изделия

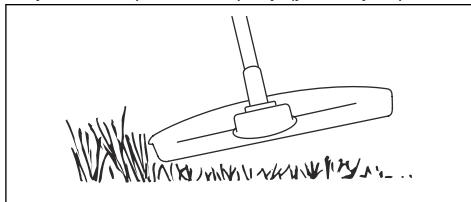
- Нажмите на выключатель, чтобы остановить двигатель.



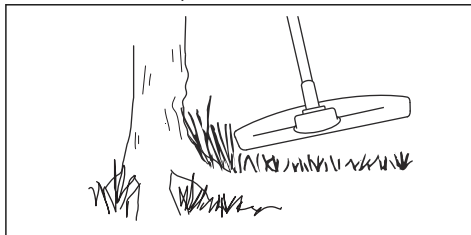
Примечание: Выключатель автоматически возвращается в исходное положение.

Стрижка травы

1. Держите головку триммера чуть выше земли под углом. Не прижимайте режущую леску к траве.



2. Уменьшите длину режущей лески на 10-12 см / 4-4,75 дюйма.
3. Уменьшите частоту вращения двигателя, чтобы уменьшить риск повреждения растений.
4. При стрижке травы вблизи предметов дроссель должен быть открыт на 80%.



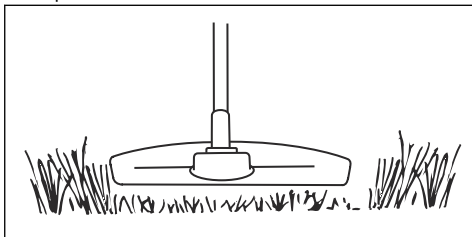
Подрезка травы с помощью лезвия для травы

1. Лезвия и ножи для травы не должны использоваться для срезания стволов.
2. Лезвие для травы предназначено для всех видов высокой или грубой травы.

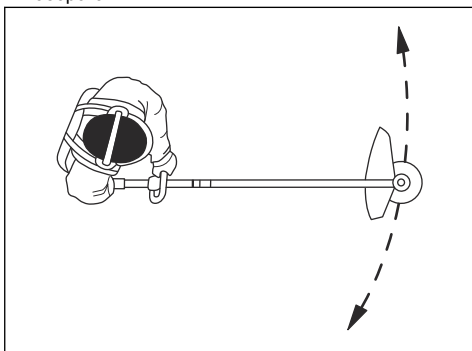
3. Производите кошение маятниковым движением из стороны в сторону, движение справа налево будет рабочим движением, а движение слева направо — возвратным. Лезвие должно срезать траву своим левым краем (между 8 и 12 часами).
4. Если немного наклонить лезвие влево при подрезке, срезанная трава будет укладываться ровными рядами, что облегчит ее сгребание.
5. Старайтесь работать в одном ритме. Стойте устойчиво, поставив стопы ног на некотором расстоянии друг от друга. После возвратного движения передвиньтесь вперед и опять встаньте в устойчивое положение.
6. Опорная чашка должна слегка касаться земли. Она предохраняет лезвие от контакта с землей.
7. Чтобы уменьшить риск закручивания материала вокруг лезвия, всегда работайте на полных оборотах и старайтесь не проходить по уже срезанной траве при возвратном движении.
8. Перед тем, как начать собирать срезанную траву, остановите двигатель и снимите оснастку.

Кошение травы

1. При кошении травы держите режущую леску параллельно земле.



2. Не прижимайте головку триммера к земле. Это может привести к повреждению изделия.
3. При стрижке травы перемещайте изделие из стороны в сторону. Работайте на полных оборотах.



Уборка травы

Воздушный поток от вращающейся режущей лески можно использовать для очистки участка от скошенной травы.

1. Держите головку триммера вместе с леской параллельно земле, не касаясь ее.
2. Полностью откройте дроссель.
3. Перемещайте триммер из стороны в сторону и очистите участок от скошенной травы.



ПРЕДУПРЕЖДЕНИЕ: Во избежание разбалансировки и вибраций на рукоятках каждый раз при установке новой режущей лески очищайте кожух головки триммера. Кроме того, проверяйте другие детали головки триммера и при необходимости очищайте их.

Головка триммера

- Убедитесь, что режущая леска плотно и равномерно намотана на барабан, чтобы уменьшить вибрацию.
- Используйте только одобренные головки триммера и режущую леску. См. раздел *Принадлежности на стр. 436*.
- Используйте режущую леску соответствующей длины. Длинная режущая леска требует большей мощности двигателя, чем короткая.
- Убедитесь, что резчик на щитке режущего оборудования не поврежден.
- Замочите режущую леску в воде на 2 дня, прежде чем установить ее на изделие. Это поможет продлить срок службы режущей лески.
- См. инструкции по использованию режущего оборудования для правильной установки лески и выбора правильного диаметра лески.

Техническое обслуживание

Введение



ПРЕДУПРЕЖДЕНИЕ: Перед выполнением техобслуживания необходимо внимательно изучить и понять раздел безопасности.

Для выполнения любых работ по сервисному обслуживанию и ремонту изделия необходимо пройти специальное обучение. Мы гарантируем доступность услуг по профессиональному ремонту и сервисному обслуживанию. Если ваш дилер не занимается сервисным обслуживанием, обратитесь к нему для получения информации о ближайшем сервисном центре.

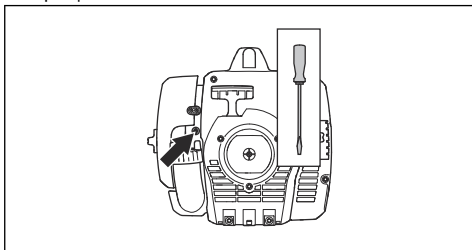
График технического обслуживания

Техническое обслуживание	Еже-дневно	Ежене-дельно	Ежеме-сячно
Очистите наружные поверхности.	X		
Очистите воздушный фильтр. При необходимости выполните замену.	X		
Проверьте работу стопора рычага дросселя и самого рычага дросселя.	X		
Проверьте выключатель двигателя.	X		
Проверьте щитки.	X		
Проверьте головку триммера.	X		
Проверьте контргайку.	X		
Проверьте, нет ли утечек топлива.	X		
Убедитесь, что нож для травы острый, отцентрирован и не имеет повреждений на лезвии или центральном отверстии.	X		
Убедитесь, что режущее оборудование не вращается на холостых оборотах.	X		
Нанесите смазку на двухсекционную штангу.		X	
Проверьте ручку стартера и шнур стартера.		X	
Проверьте смазку зубчатой передачи.		X	
Очистите наружную поверхность свечи зажигания. Снимите свечу зажигания и измерьте зазор между электродами. Отрегулируйте зазор между электродами или замените свечу зажигания.		X	
Очистите систему охлаждения.		X	
Очистите или замените искрогасительную сетку на глушителе.		X	
Очистите наружные поверхности карбюратора и область вокруг него.		X	
Проверьте топливный фильтр на наличие загрязнений.			X
Проверьте топливный шланг на наличие повреждений.			X
Осмотрите все провода и соединения.			X
Проверьте сцепление, пружины сцепления и барабан сцепления на износ.			X
Замените свечу зажигания.			X

Регулировка скорости холостого хода

Перед регулировкой скорости холостого хода убедитесь, что воздушный фильтр чистый и установлена крышка воздушного фильтра.

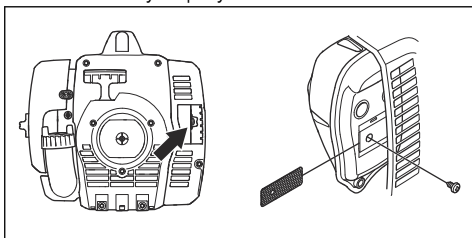
1. Поворачивайте винт регулировки холостого хода, отмеченный символом "Т", по часовой стрелке, пока режущее оборудование не начнет вращаться.



2. Поворачивайте винт регулировки холостого хода, отмеченный символом "Т", против часовой стрелки, пока режущее оборудование не остановится.
3. Скорость холостого хода должна быть ниже скорости, при которой режущее оборудование начинает вращаться. Скорость холостого хода правильная, если двигатель работает ровно во всех положениях.

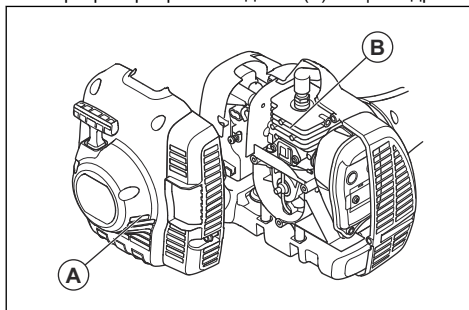
Техобслуживание искрогасительной сетки

- Для очистки искрогасительной сетки используйте металлическую щетку.



Очистка системы охлаждения

- Щеткой очистите воздухозаборник (А) на стартере и ребра охлаждения (В) на цилиндре.



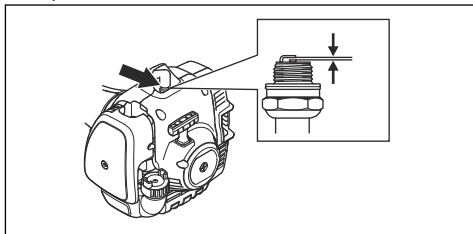
Проверка свечи зажигания



ВНИМАНИЕ: Используйте только рекомендуемые свечи зажигания. Убедитесь, что запчасть имеет такие же характеристики, что и деталь производителя. Применение неподходящих свечей зажигания может привести к повреждению изделия. Убедитесь, что свеча зажигания оснащена изоляцией радиопомех. Для получения более подробной информации обратитесь к своему дилеру по обслуживанию.

1. Проверять свечу зажигания необходимо в следующих случаях:
 - a) при снижении мощности двигателя;
 - b) при затруднительном запуске двигателя;
 - c) при некорректной работе двигателя на холостых оборотах.
2. Если двигатель запускается с трудом или не работает, проверьте свечу зажигания на наличие посторонних материалов. Чтобы уменьшить риск появления посторонних материалов на электродах свечи зажигания:
 - a) убедитесь в правильности регулировки скорости холостого хода;
 - b) убедитесь в правильности состава топливной смеси;
 - c) убедитесь, что воздушный фильтр чист;

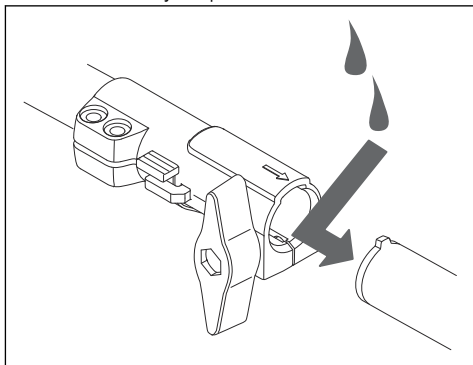
- очистите свечу зажигания, если она загрязнена. Проверьте правильность зазора между электродами. См. раздел *Технические данные на стр. 435*.



- При необходимости замените свечу зажигания.

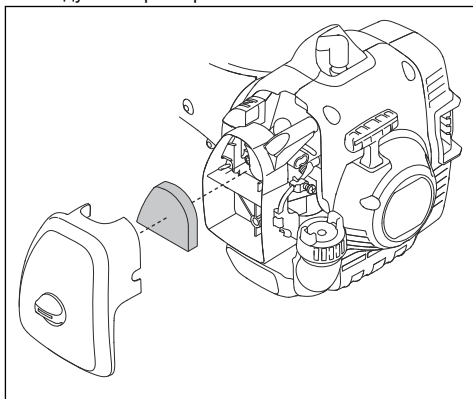
Смазывание двухсекционной штанги

- Смазывайте конец ведущего вала через каждые 30 часов эксплуатации.



Очистка воздушного фильтра

- Снимите крышку воздушного фильтра и воздушный фильтр.



- Промойте воздушный фильтр теплой мыльной водой. Перед установкой фильтра на место убедитесь, что он полностью высох.
- Если воздушный фильтр слишком грязный, чтобы полностью его очистить, замените его. Всегда заменяйте поврежденный воздушный фильтр.
- Если изделие оснащено поролоновым воздушным фильтром, нанесите масло для воздушного фильтра. Масло для воздушного фильтра наносится только на поролоновый фильтр. Нельзя наносить масло на фетровый фильтр.

Нанесение масла на воздушный фильтр

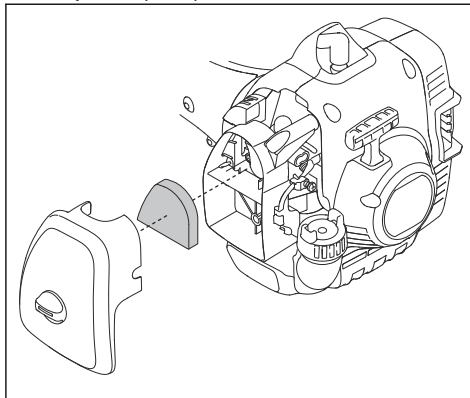


ВНИМАНИЕ: Всегда используйте специальное масло для поролоновых воздушных фильтров. Не используйте другие виды масла.

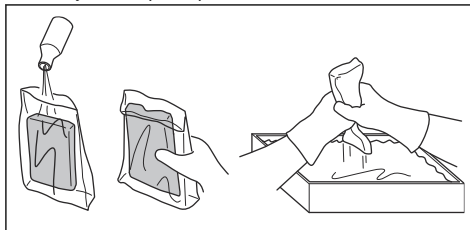


ПРЕДУПРЕЖДЕНИЕ: Не допускайте попадания масла на тело.

- Снимите крышку воздушного фильтра и воздушный фильтр.



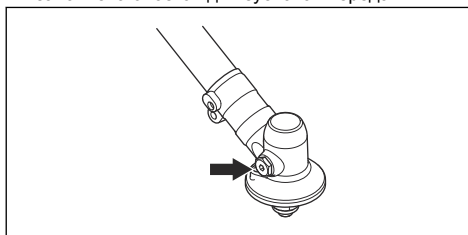
- Поместите воздушный фильтр в полиэтиленовый пакет.
- Налейте в полиэтиленовый пакет масло для воздушного фильтра.



4. Сожмите пакет, чтобы равномерно распределить масло по воздушному фильтру.
5. Сожмите воздушный фильтр в пакете, чтобы удалить излишки масла. Извлеките воздушный фильтр из пакета.
6. Установите воздушный фильтр.

Добавление смазки в зубчатую передачу

- Убедитесь, что зубчатая передача на $\frac{3}{4}$ заполнена смазкой для зубчатой передачи.



Поиск и устранение неисправностей

Двигатель не запускается

Проверка	Возможная причина	Порядок действий
Собачки стартера.	Собачки стартера не могут свободно перемещаться.	Снимите крышку стартера и очистите область вокруг собачек стартера.
		Обратитесь к авторизованному дилеру по обслуживанию за помощью.
Топливный бак.	Топливо несоответствующего типа.	Опорожните топливный бак и залейте правильное топливо.
Свеча зажигания.	Свеча зажигания загрязнена или намочена.	Убедитесь, что свеча зажигания сухая и чистая.
	Неправильный зазор между электродами свечи зажигания.	Очистите свечу зажигания. Проверьте правильность зазора между электродами. Убедитесь, что свеча зажигания оснащена изоляцией радиопомех.
		Правильный зазор между электродами см. в разделе <i>Технические данные на стр. 435</i> .
Крепление свечи зажигания ослаблено.	Затяните свечу зажигания.	

Двигатель запускается, но затем снова останавливается

Проверка	Возможная причина	Порядок действий
Топливный бак	Топливо несоответствующего типа.	Опорожните топливный бак и залейте в него правильное топливо.
Воздушный фильтр	Засорен воздушный фильтр.	Очистите воздушный фильтр.

Транспортировка и хранение

- Перед помещением на хранение, в обязательном порядке, дайте изделию остыть.
- Перед помещением на хранение и транспортировкой изделия и топлива убедитесь в отсутствии утечек или испарения топлива. Искры или источники открытого огня, например, от электрических устройств или котлов, могут привести к пожару.
- Всегда используйте рекомендованные контейнеры для хранения и транспортировки топлива.
- Перед транспортировкой или помещением изделия на длительное хранение слейте топливо из бака. Утилизируйте топливо в специально предназначенном для этого месте.
- На время транспортировки и хранения устанавливайте на изделие транспортировочный щиток.
- Снимите колпак свечи зажигания со свечи зажигания.
- Закрепляйте изделие на время транспортировки. Убедитесь, что изделие неподвижно зафиксировано.
- Перед помещением на длительное хранение очистите изделие и проведите его техобслуживание.

Технические данные

Технические данные

	122C	122LK
Двигатель		
Объем цилиндра, см ³	21,7	21,7
Обороты холостого хода, об/мин	2900	2900
Рекомендованные максимальные обороты, об/мин	7200	9100
Частота вращения выходного вала, об/мин	7200	6232
Макс. выходная мощность двигателя, по ISO 8893, кВт/л.с. при об/мин	0,6/0,8 при 7800	0,6/0,8 при 7800
Глушитель с каталитическим конвертером	Да	Да
Система зажигания с регулировкой частоты вращения	Нет	Нет
Система зажигания		
Свеча зажигания	HQT-4 672201	HQT-4 672201
Зазор между электродами, мм	0,5	0,5
Топливная система		
Емкость топливного бака, л/см ³	0,3/300	0,3/300
Вес		
Вес, без топлива, режущего оборудования и щитка, кг	4,4	4,8
Излучение шума ⁶⁴		

⁶⁴ Излучение шума в окружающую среду измеряется как шумовой эффект (L_{WA}) согласно Директиве ЕС 2000/14/ЕС. Указанный уровень мощности звука для изделия измерен с оригинальным режущим оборудованием, дающим наивысший уровень. Разница между гарантированной и измеренной мощностью звука заключается в том, что гарантированная мощность звука включает результаты измерений как диапазон и их отклонение для изделий одной и той же модели согласно директиве 2000/14/ЕС.

	122C	122LK
Уровень мощности звука, измеренный, дБ (А)	102	104
Уровень мощности звука, гарантированный (L_{WA}), дБ (А)	104	108
Уровни шума ⁶⁵		
Эквивалентный уровень шумового давления на уровне уха пользователя, измерен согласно EN ISO 11806 и ISO 22868, дБ(А):	88	90
Уровни вибрации ⁶⁶		
Эквивалент уровня вибрации ($a_{hv, eq}$), с головкой триммера, рукоятка слева, m/c^2	5,0	3,6
Эквивалент уровня вибрации ($a_{hv, eq}$), с головкой триммера, рукоятка справа, m/c^2	3,6	3,5

Принадлежности

Принадлежности

122C		
Одобрённые принадлежности	Тип	Кожух режущего оборудования
Резьбовой вал	3/8 R	–
Триммерная головка	T25 (корд Ø 2,0–2,4 мм)	574 47 95-01
	T25C (корд Ø 2,0–2,7 мм)	
	R25 (корд Ø 2,0–2,4 мм)	
122LK		
Одобрённые принадлежности	Тип	Кожух режущего оборудования
Резьбовой вал	M10	–
Триммерная головка	T25 (корд Ø 2,0–2,4 мм)	574 19 87-01
	R25 (корд Ø 2,0–2,4 мм)	

Для указанных моделей рекомендованы следующие насадки.

Одобрённые насадки	Тип	Совместимая модель
Насадка-щетка	SR600-2	122LK
Насадка-ножницы для живой изгороди	HA200	122LK

⁶⁵ Указанные данные об эквивалентном уровне давления звука для устройства имеют типичный статистический разброс (стандартное отклонение) 1 дБ (А).

⁶⁶ Указанные данные о среднем уровне вибраций имеют типичный статистический разброс (стандартное отклонение) 1 m/c^2 .

Одобрённые насадки	Тип	Совместимая модель
Насадка-ножницы для живой изгороди	HA860	122LK
Насадка-подравниватель кромок газона	ECA850, ESA860	122LK
Насадка-высоторез	PA1100	122LK
Насадка-удлинитель	EX780	122LK
Насадка-культиватор	CA230	122LK
Насадка-воздуходув	BA101	122LK
Насадка-щетинная щетка	BR600	122LK
Насадка-скарификатор	DT600	122LK

Декларация о соответствии

Декларация соответствия требованиям ЕС

Мы, компания Husqvarna AB, SE-561 82
Husqvarna, Швеция, тел.: +46-36-146500, с полной
ответственностью заявляем, что изделие:

Описание	Бензиновый триммер/травокосилка
Марка	Husqvarna
Тип / Модель	122C, 122LK
Идентификация	Серийный номер с 2022 года и далее

полностью соответствует следующим директивам и
нормативам ЕС:

Норматив	Описание
2006/42/EC	"О механическом оборудовании"
2014/30/EU	"Об электромагнитной совместимости"
2000/14/EC	"Об излучении шума от оборудования, размещенного вне помещения"
2011/65/EU	"Об ограничении использования опасных веществ"

Применяются следующие стандарты:

EN ISO 12100:2010, EN ISO 11806-1:2011, ISO
14982:1998, CISPR 12:2007+A1:2009, EN IEC
63000:2018

RISE SMP Svensk Maskinprovning AB,, Box 7035,
SE-750 07 Uppsala, Sweden, по собственному
желанию осуществила типовую проверку от имени
компании Husqvarna AB.

Сертификатам присвоены номера: 122C -
SEC/10/2271, 122LK - SEC/10/2272

Организация RISE SMP Svensk Maskinprovning
AB, также заверила соответствие приложению V
Директивы совета 2000/14/EG.

Сертификатам присвоены номера: 122C -
01/164/068, 122LK - 01/164/067.

Husqvarna 2022-05-13



Клаес Лосдал (Claes Losdal), директор отдела
разработок, Husqvarna AB

Ответственный за техническую документацию



141400, Московская обл., Г. Химки, ул. Ленинградская,
владение 39, строение 6, здание II этаж 4,
помещение OB02_04,
телефон горячей линии 8-800-200-1689

Obsah

Úvod.....	439	Riešenie problémov.....	454
Bezpečnosť.....	441	Preprava a uskladnenie.....	454
Montáž.....	445	Technické údaje.....	455
Prevádzka.....	447	Príslušenstvo.....	456
Údržba.....	451	Vyhlasenie o zhode.....	457

Úvod

Popis výrobku

Tento výrobok je vyžínač na trávnu so spaľovacím motorom.

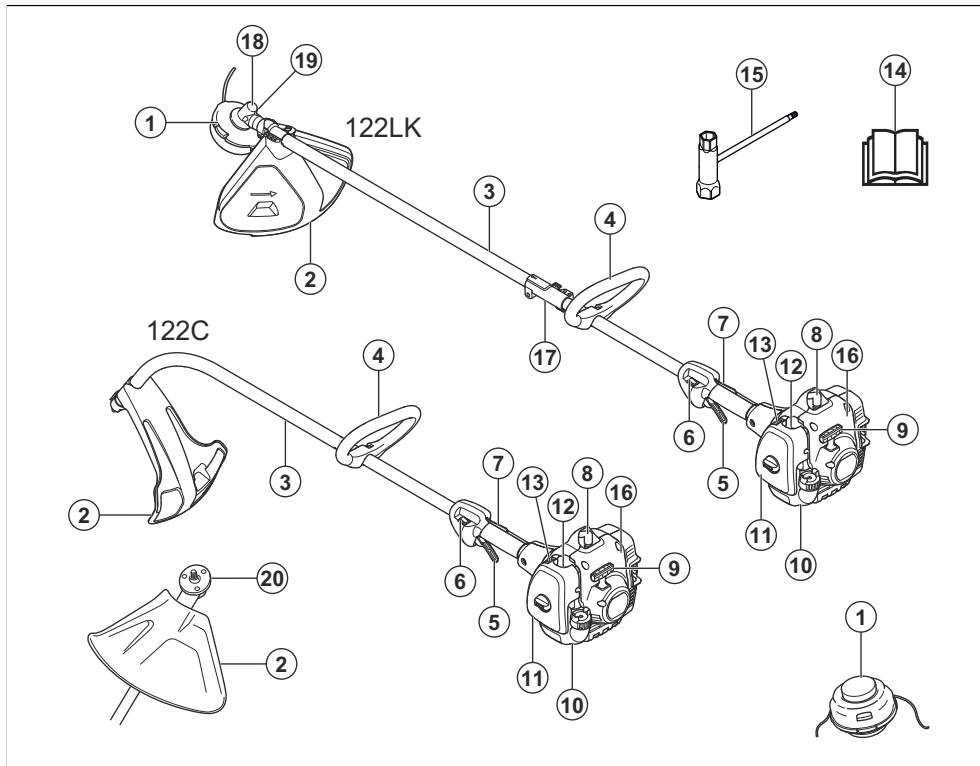
Neustále pracujeme na tom, aby sme zabezpečili vyššiu bezpečnosť a efektívnosť počas prevádzky. Ak potrebujete ďalšie informácie, obráťte sa na servisného predajcu.

Plánované použitie

Výrobok sa používa s vyžínačovou hlavou na kosenie trávy. Výrobok nepoužívajte na iné účely ako kosenie či vyžívanie trávnatého porastu.

Poznámka: Používanie tohto výrobku môže byť obmedzené vnútroštátnymi predpismi.

Prehľad výrobku



1. Vyžínačová hlava

2. Kryt rezacieho nadstavca

3. Hriadeľ

4. Madlové držiadlo

5. Ovládač škrtiacej klapky
6. Vypínač
7. Poistka páčky plynu
8. Kryt zapaľovacej sviečky a zapaľovacia sviečka
9. Rukoväť štartovacieho lanka
10. Palivová nádrž
11. Kryt vzduchového filtra
12. Balónik pumpy
13. Ovládanie sýtiča
14. Návod na použitie
15. Kombinovaný kľúč
16. Kryt štartéra
17. Spojenie hriadeľa
18. Kužeľové ozubené koleso
19. Viečko plniaceho otvoru maziva, kužeľový prevod
20. Hnací disk

Symbole na výrobku



UPOZORNENIE! Tento výrobok je nebezpečný. V prípade neopatrného a nesprávneho použitia výrobku môže dôjsť k zraneniu alebo usmrteniu obsluhy alebo osôb v okolí. V záujme predchádzania zraneniam obsluhy a osôb v okolí si prečítajte a dodržiavajte všetky bezpečnostné pokyny v návode na obsluhu.



Skôr než začnete produkt používať, pozorne si prečítajte návod na obsluhu a dôsledne sa oboznámte s pokynmi.



V miestach, kde na vás niečo môže spadnúť, používajte ochrannú prilbu. Používajte schválené chrániče sluchu. Používajte schválené chrániče očí.



Maximálne otáčky výstupného hriadeľa.



Tento výrobok je v súlade s príslušnými smernicami ES.



Počas používania sa môžu od výrobku odraziť predmety a spôsobiť poranenie.



Počas používania výrobku zachovávajte minimálnu vzdialenosť 15 metrov od ľudí a zvierat.



Používajte schválené ochranné rukavice.



Používajte odolné protišmykové topánky.



Používajte iba pružné rezacie lanko. Nepoužívajte kovové rezacie nadstavce.



Označenie týkajúce sa emisie hluku do okolia podľa smerníc a nariadení EÚ a UK a legislatívy v štáte New South Wales „Protection of the Environment Operations (Noise Control) Regulation 2017“ (Nariadenie o ochrane životného prostredia pri prevádzke (kontrola hluku) z roku 2017). Garantovaná hladina akustického výkonu produktu je uvedená v *Technické údaje na strane 455* a na štítku.



Balónik pumpy.



Sýtič.



Tento výrobok je v súlade s príslušnými právnymi predpismi Spojeného kráľovstva.

rrrtboox

Výkonový štítok zobrazuje výrobné číslo. **yyyy** je rok výroby, **ww** je týždeň výroby.

Poznámka: Ostatné symboly/štítky na výrobku odkazujú na požiadavky certifikácie pre iné komerčné oblasti.

Emisie Euro V



VÝSTRAHA: Nepovolená manipulácia s motorom ruší platnosť typového schválenia tohto výrobku pre EÚ.

Zákaznícka podpora

Pre zákaznícku podporu volajte na telefónne číslo: 1-800-487-5951 alebo navštívte lokalitu www.husqvarna.com.

Zodpovednosť za výrobok

V súlade s právnymi predpismi upravujúcimi zodpovednosť za výrobok nenesieme zodpovednosť za škody spôsobené našim výrobkom v dôsledku:

- nesprávne vykonanej opravy výrobku,
- opravy výrobku, pri ktorej neboli použité diely od výrobcu alebo diely schválené výrobcom,

- používania príslušenstva od iného výrobcu alebo príslušenstva, ktoré nie je schválené výrobcom,
- opravy výrobku, ktoré neboli vykonané v schválenom servisnom stredisku alebo schválenými kompetentnými osobami.

Bezpečnosť

Bezpečnostné definície

Výstrahy, upozornenia a poznámky slúžia na zdôraznenie mimoriadne dôležitých častí návodu.



VÝSTRAHA: Používa sa, ak pre obsluhu alebo osoby v okolí existuje nebezpečenstvo poranenia alebo smrti v prípade nedodržania pokynov v návode.



VAROVANIE: Používa sa, ak hrozí nebezpečenstvo poškodenia produktu, iných materiálov alebo okolitej oblasti v prípade nedodržania pokynov v návode.

Poznámka: Používa sa na poskytnutie informácií nad rámec nevyhnutných informácií v danej situácii.

Všeobecné bezpečnostné pokyny



VÝSTRAHA: Skôr než budete výrobok používať, prečítajte si nasledujúce výstrahy.

- Výrobok používajte správne. Nesprávne používanie môže mať za následok poranenie alebo smrť. Výrobok používajte len na účely uvedené v tomto návode. Výrobok nepoužívajte na iné účely.
- Dodržiavajte pokyny uvedené v tomto návode. Dodržiavajte bezpečnostné symboly a bezpečnostné pokyny. Ak používateľ nebude dodržiavať uvedené pokyny a symboly, môže dôjsť k poraneniu, poškodeniu alebo smrti.
- Tento návod nezahadzujte. Tieto pokyny poskytujú všetky potrebné kroky na montáž a prevádzku výrobu a pomôžu vám udržať výrobok v dobrom stave. Tieto pokyny poskytujú všetky potrebné kroky na správnu inštaláciu doplnkov a príslušenstva. Používajte len schválené doplnky a príslušenstvo.
- Ak sa výrobok poškodí, nepoužívajte ho. Dodržiavajte plán údržby. Vykonávajte len údržbu, ku ktorej nájdete pokyny v tomto návode. Všetky ostatné práce týkajúce sa údržby musí vykonať schválené servisné stredisko.
- Tento návod na obsluhu nezahŕňa všetky situácie, s ktorými sa môžete počas používania tohto výrobku stretnúť. Pri jeho používaní zachovávajte opatrnosť a riaďte sa zdravým úsudkom. Výrobok nepoužívajte ani na ňom nevykonávajte žiadnu údržbu, ak s istotou neviete, o aký problém ide. Kontaktujte produktového odborníka, predajcu, servisného zástupcu alebo schválené servisné stredisko a požiadajte o informácie.
- Pred montážou výrobku, jeho uskladnením alebo vykonávaním údržby odpojte kábel zapalovacej sviečky.
- Výrobok nepoužívajte, ak sa zmenili jeho pôvodné technické špecifikácie. Nevymieňajte diely výrobku bez schválenia výrobcu. Používajte iba príslušenstvo schválené výrobcom. Nesprávna údržba môže mať za následok poranenie alebo smrť.
- Nevdychujte výpary z motora. Dlhodobé vdychovanie výfukových plynov predstavuje zdravotné riziko.
- Neštartujte výrobok vo vnútri ani v blízkosti horľavého materiálu. Výfukové plyny sú horúce a môžu obsahovať iskry, ktoré môžu spôsobiť požiar. Nedostatočné prúdenie vzduchu môže spôsobiť poranenie alebo smrť v dôsledku udusenía alebo otravy oxidom uhoľnatým.
- Počas používania tohto výrobku vytvára motor elektromagnetické pole. Elektromagnetické pole môže poškodiť implantované lekárske prístroje. Pred používaním tohto výrobku sa poraďte so svojim lekárom a výrobcom implantovaného lekárskeho prístroja.
- Nedovoľte, aby výrobok používali deti. Nedovoľte, aby výrobok používali osoby, ktoré nepoznajú potrebné pokyny.
- Osoby so zníženými fyzickými alebo duševnými schopnosťami musia byť počas používania výrobku vždy pod dozorom. Vyžaduje sa neustála prítomnosť zodpovednej dospeléj osoby.
- Výrobok bezpečne uzamknite na mieste, ku ktorému nemajú prístup deti a nepovolené osoby.
- Počas používania sa môžu od výrobku odraziť predmety a spôsobiť poranenia. Dodržiavajte bezpečnostné pokyny, aby ste znížili riziko poranenia alebo smrti.
- Nevzdďalujte sa od výrobku, keď je zapnutý motor.
- V prípade nehody zodpovedá za následky používateľ.
- Pred používaním výrobku sa uistite, že nie sú poškodené žiadne diely.

- Pred používaním výrobku sa uistite, že sa nachádzate minimálne 15 m od iných osôb alebo zvierat. Uistite sa, že osoby v okolí vedia o tom, že budete výrobok používať.
- Dodržiavajte národné alebo miestne právne predpisy. V určitých podmienkach môžu zakazovať alebo obmedzovať prevádzku výrobku.
- Výrobok nepoužívajte, ak ste unavení alebo pod vplyvom alkoholu, drog alebo liekov. Môže to ovplyvniť váš zrak, pozornosť, koordináciu a úsudok.

Bezpečnostné pokyny pre montáž



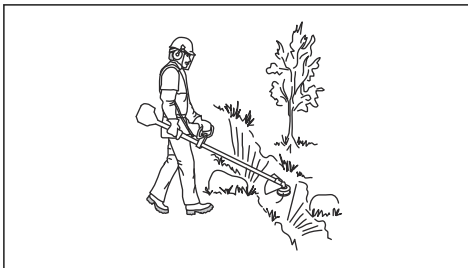
VÝSTRAHA: Skôr než budete výrobok používať, prečítajte si nasledujúce výstrahy.

- Pred zostavením výrobku odpojte kryt zapalovacej sviečky od zapalovacej sviečky.
- Používajte schválené ochranné rukavice.
- Pred naštartovaním motora sa uistite, že sú kryt a hriadeľ správne nasadené.

Bezpečnostné pokyny pre prevádzku

- Pred používaním sa uistite, že je výrobok plne zmontovaný.
- Pred spustením premiestnite výrobok 3 m od miesta, na ktorom ste plnili palivovú nádrž. Položte výrobok na rovny povrch. Uistite sa, že sa rezací nadstavec nedotýka zeme ani iných predmetov.
- Počas používania sa môžu od výrobku odraziť predmety a spôsobiť poranenie očí. Počas používania výrobku vždy používajte schválené chrániče očí.
- Počas používania dávajte pozor, aby sa do blízkosti výrobku bez vášho vedomia nedostalo dieťa.
- Výrobok nepoužívajte, ak sa v pracovnej zóne nachádzajú iné osoby. Ak sa do pracovnej zóny dostane osoba, výrobok vypnite.
- Uistite sa, že výrobok máte vždy úplne pod kontrolou.
- Výrobok nepoužívajte, ak v prípade nehody nie je k dispozícii pomoc. Pred používaním sa vždy uistite, že ďalšie osoby vedia o tom, že budete výrobok používať.
- Pri otáčaní sa s výrobkom sa najskôr uistite, že sa v bezpečnostnej zóne nenachádzajú žiadne osoby ani zvieratá.
- Skôr ako začnete, odstráňte z pracovnej zóny všetok neželaný materiál. Ak rezací nadstavec narazí na predmet, predmet sa môže odraziť a spôsobiť poranenie alebo viesť k poškodeniu. Neželaný materiál sa môže obmotáť okolo rezacieho nastavca a viesť k poškodeniu.
- Výrobok nepoužívajte v nepriaznivom počasí (hmla, dážď, silný vietor, riziko zásahu bleskom alebo iné nepriaznivé poveternostné podmienky). Nepriaznivé počasie môže mať za následok vznik nebezpečných podmienok (ako sú napr. klzké povrchy).

- Uistite sa, že sa môžete voľne pohybovať a pracovať v stabilnej polohe.



- Uistite sa, že počas používania výrobku nemôžete spadnúť. Počas obsluhy výrobku sa nenakláňajte.
- Výrobok vždy držte oboma rukami. Výrobok držte na pravej strane tela.



- Počas prevádzky držte výrobok s rezacím nastavcom pod úroveň pásu.
- Ak je ovládanie sýtiča počas naštartovania motora v polohe sýtiča, rezací nadstavec sa začne otáčať.
- Nedotýkajte sa kuželového prevodu po zastavení motora. Kuželový prevod je po zastavení motora horúci. Horúce plochy môžu spôsobiť poranenie.
- Pred premiestňovaním výrobku vypnite.
- Nekladte výrobok na zem, keď je zapnutý motor.
- Pred odstraňovaním neželaného materiálu z výrobku vypnite motor a počkajte, kým sa rezací nadstavec zastaví. Skôr ako vy alebo iná osoba začne s odstraňovaním nakoseného materiálu, počkajte, kým sa rezací nadstavec zastaví.

Osobné ochranné prostriedky



VÝSTRAHA: Skôr než budete výrobok používať, prečítajte si nasledujúce výstrahy.

- Pri používaní produktu vždy používajte schválené osobné ochranné prostriedky. Osobné ochranné prostriedky nedokážu úplne vylúčiť riziko, ale môžu znížiť vážnosť zranenia v prípade nehody. Váš predajca vám pomôže pri výbere správnych prostriedkov.
- V prípade rizika padajúcich predmetov používajte ochrannú prilbu.

- Používajte schválené chrániče sluchu, ktoré zaručujú primeranú redukciu hluku. Dlhodobé vystavenie sa hluku môže spôsobiť trvalé poškodenie sluchu.
- Používajte schválené chrániče očí. Ak používate štít, musíte tiež používať schválené ochranné okuliare. Schválené ochranné okuliare musia zodpovedať norme ANSI Z87.1 platnej v USA alebo norme EN 166 platnej v krajinách EÚ.
- Na ochranu tváre používajte ochranný štít. Štít nie je dostatočnou ochranou očí.



- Keď je to potrebné, používajte rukavice, ako napríklad pri montáži, kontrole alebo čistení rezného zariadenia.
- Používajte pevnú protišmykovú obuv.
- Používajte odev vyrobený z pevnej tkaniny. Vždy noste pevné, dlhé nohavice a dlhé rukávy. Nepoužívajte voľný odev, ktorý sa môže zachytiť v konároch a vetvách. Nenoste šperky, krátke nohavice, sandále a nebuďte bosí. Vlasy si bezpečne uchyťte nad úrovňou ramien.



- Majte poruke pomôcky na poskytnutie prvej pomoci.



Bezpečnostné zariadenia na výrobku

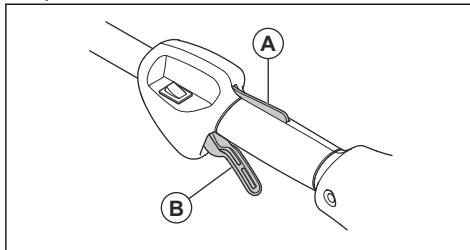


VÝSTRAHA: Skôr než budete používať produkt, prečítajte si nasledujúce výstrahy.

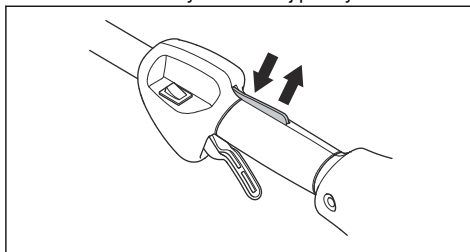
- Nepoužívajte produkt, ktorý má chybné bezpečnostné zariadenia.
- Pravidelne kontrolujte bezpečnostné zariadenia. Pozrite si časť *Plán údržby na strane 451*.
- Ak sú bezpečnostné zariadenia chybné, obráťte sa na servisného zástupcu spoločnosti Husqvarna.

Kontrola poistky páčky plynu

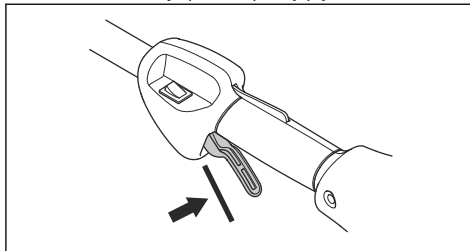
1. Skontrolujte, či sa poistka páčky plynu (A) a páčka plynu (B) pohybujú voľne a či vratná pružina funguje správne.



2. Stlačte poistku páčky plynu a uistite sa, že sa po uvoľnení vráti do východiskovej polohy.



3. Uistite sa, že je páčka plynu zablokovávaná v polohe voľnobehu, keď je poistka páčky plynu uvoľnená.



4. Naštartujte výrobok a pridajte plný plyn.
5. Uvoľníte páčku plynu a skontrolujte, či sa čepele zastavia a zstanú stáť.

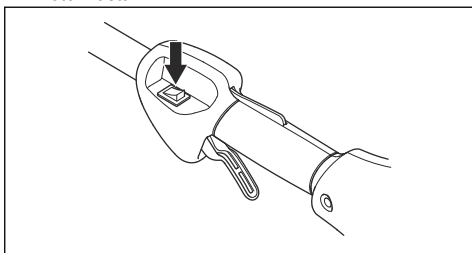


VÝSTRAHA: Ak sa čepele nezastavia, keď je páčka plynu vo voľnobežnej polohe, musíte nastaviť voľnobežné otáčky karburátora. Pozrite si časť *Nastavenie voľnobežných otáčok na strane 452*.

Kontrola vypínača

1. Naštartujte motor.

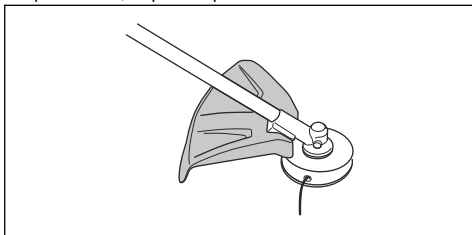
2. Posuňte vypínač do polohy Stop a skontrolujte, či sa motor zastavil.



Kontrola krytu rezacieho nadstavca

Kryt rezacieho nadstavca slúži na zastavenie predmetov vymrštených smerom k obsluhu. Taktiež zamedzuje vzniku zranení spôsobených dotykom s rezacím nadstavcom.

1. Zastavte motor.
2. Pohľadom skontrolujte prítomnosť prípadných poškodení, napríklad prasklín.



3. Ak je kryt rezacieho nadstavca poškodený, vymeňte ho.

Tlmič výfuku

- Nepoužívajte motor, ak je tlmič výfuku poškodený. Poškodený tlmič výfuku zvyšuje hladinu hluku a nebezpečenstvo požiaru. Majte poruke hasiaci prístroj.
- Pravidelne kontrolujte, že je tlmič výfuku pripevnený k výrobku.
- Nedotýkajte sa motora ani tlmiča výfuku, keď je motor v prevádzke. Nedotýkajte sa motora ani tlmiča výfuku hneď po vypnutí motora. Horúce povrchy môžu spôsobiť poranenia.
- Horúci tlmič výfuku môže mať za následok vznik požiaru. Pri používaní výrobku v blízkosti horľavých kvapalín alebo plynov zachovajte opatnosť.
- Ak je tlmič výfuku poškodený, nedotýkajte sa dielov vnútri tlmiča výfuku. Diely môžu obsahovať niektoré karcinogénne chemikálie.

Rezací nadstavec



VÝSTRAHA: Skôr než budete výrobok používať, prečítajte si nasledujúce výstrahy.

- Vykonávajte pravidelnú údržbu. Rezací nadstavec nechajte pravidelne kontrolovať v schválenom servisnom stredisku kvôli potrebným úpravám a opravám.
 - Zvýšite tak výkonnosť rezacieho nadstavca.
 - Predĺžite tak životnosť rezacieho nadstavca.
 - Znížite tak riziko výskytu nehôd.
- Používajte len schválený chránič rezacieho nadstavca. Pozrite si časť *Príslušenstvo na strane 456*.
- Nepoužívajte poškodený rezací nadstavec.

Bezpečnosť paliva



VÝSTRAHA: Skôr než budete výrobok používať, prečítajte si nasledujúce výstrahy.

- Palivo nezmiešavajte v interiéri ani v blízkosti zdroja tepla.
- Výrobok neštartujte, ak sú na ňom zvyšky paliva alebo motorového oleja. Odstráňte neželané palivo/olej a nechajte výrobok vyschnúť. Odstráňte z výrobku neželané palivo.
- Ak vylejete palivo na odev, okamžite sa prezlečte.
- Dávajte pozor, aby ste si palivo nevyliali na telo, pretože môže spôsobiť poranenie. Ak si palivo vylejete na telo, umyte sa pomocou mydla a vody.
- Motor neštartujte, ak olej alebo palivo vylejete na výrobok alebo na svoje telo.
- Výrobok neštartujte, ak sa na motore vyskytuje netesnosť. Pravidelne kontrolujte výskyt netesností na motore.
- Pri manipulácii s palivom zachovajte opatnosť. Palivo je horľavá látka a výpary z paliva sú výbušné a môžu spôsobiť poranenia alebo smrť.
- Vyhňte sa vdychovaniu výparov paliva, pretože môžu spôsobiť poranenie. Zabezpečte dostatočné prúdenie vzduchu.
- V blízkosti paliva alebo motora nefajčite.
- Neukladajte do blízkosti paliva alebo motora teplé predmety.
- Nedopĺňajte palivo, keď je zapnutý motor.
- Pred dopĺňaním paliva sa uistite, že motor vychladol.
- Pred dopĺňaním paliva pomaly otvorte veko palivovej nádrže a opatrne uvoľnite tlak.
- Zabezpečte dostatočné prúdenie vzduchu počas dopĺňania paliva a miešania paliva (benzín a dvojtaktný olej) alebo vypúšťania palivovej nádrže.
- Palivo a výpary z neho sú vysoko horľavé a ich vdychnutie alebo kontakt s pokožkou môžu spôsobiť vážne poranenie. Z tohto dôvodu pri manipulácii s palivom postupujte opatrne a zabezpečte dostatočné vetranie.
- Starostlivo utiahnite veko palivovej nádrže, inak hrozí riziko vzniku požiaru.
- Pred spustením premiestnite výrobok minimálne 3 m od miesta, na ktorom ste dopĺňali palivo do nádrže.

- Nepreplňajte palivovú nádrž.
- Pri premiestňovaní výrobku alebo nádoby na palivo sa uistite, že z nich nevyteká palivo.
- Výrobok ani nádobu na palivo neukladajte na miesta s otvoreným ohňom, iskrami alebo trvalým plameňom. Uistite sa, že sa na mieste, na ktorom výrobok uskladníte, nenachádza otvorený oheň.
- Na premiestnenie alebo uskladnenie paliva používajte len schválené nádoby.
- Pred dlhodobým uskladnením vyprázdňte palivovú nádrž. Pri likvidácii paliva dodržiavajte miestne právne predpisy.
- Pred dlhodobým uskladnením výrobok vyčistite.
- Pred odložením odmontujte z výrobku kryt zapaľovacej sviečky, aby ste sa uistili, že nedôjde k náhodnému spusteniu motora.

Bezpečnostné pokyny pre údržbu



VÝSTRAHA: Skôr než budete výrobok používať, prečítajte si nasledujúce výstrahy.

- Zastavte motor, uistite sa, že sa rezací nadstavec zastaví, a pred vykonávaním údržby nechajte výrobok vychladnúť.
- Pred vykonávaním údržby odpojte kryt zapaľovacej sviečky.
- Výfukové plyny z motora obsahujú oxid uhoľnatý, plyn bez zápachu, ktorý je jedovatý, veľmi

nebezpečný a môže spôsobiť smrť. Produkt neštartujte v interiéri ani v uzavretých priestoroch.

- Výfukové plyny z motora sú horúce a môžu obsahovať iskry. Nepoužívajte výrobok vo vnútri ani v blízkosti horľavého materiálu.
- Príslušenstvo a úprava výrobku, ktoré neschválil výrobca, môžu spôsobiť vážne poranenia alebo smrť. Výrobok neupravujte. Vždy používajte originálne príslušenstvo.
- Nepravidelná a nesprávne vykonaná údržba zvyšuje nebezpečenstvo poranenia a poškodenia výrobku.
- Vykonávajte len údržbu odporúčanú v tomto návode na obsluhu. Vykonanie všetkých ostatných servisných úkonov ponechajte na schváleného servisného zástupcu spoločnosti Husqvarna.
- Výrobok nechajte pravidelne kontrolovať kvôli údržbe u schváleného servisného zástupcu spoločnosti Husqvarna.
- Vymeňte všetky poškodené, opotrebované alebo zlomené diely.
- Vyhľadajte si pokyny týkajúce sa rezacích nadstavcov, aby ste zabezpečili správny postup montáže žacieho lanka a zvolili správny priemer lanka.
- Udržievajte zuby čepele správne nabrúsené. Postupujte podľa našich odporúčaní. Pozrite si aj inštrukcie uvedené na obale čepele.

Montáž

Úvod



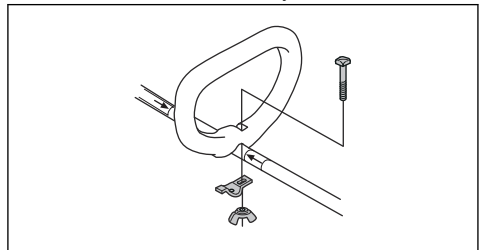
VÝSTRAHA: Pred zostavením výrobku si musíte prečítať kapitolu o bezpečnosti a porozumieť informáciám, ktoré sa v nej uvádzajú.



VÝSTRAHA: Pred zostavením výrobku od zapaľovacej sviečky odpojte kábel zapaľovacej sviečky.

Pripojenie oblúkovej rukoväte

1. Podľa pokynov na obrázku pripevnite oblúkovú rukoväť k hriadeľu a utiahnite ju.

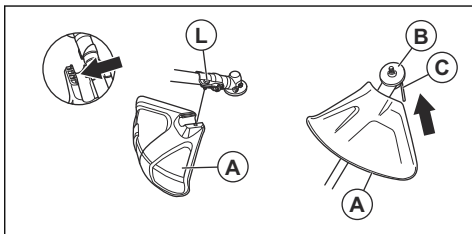


2. Uistite sa, že oblúkovú rukoväť pripevníte medzi šípky nachádzajúce sa na hriadeľu.

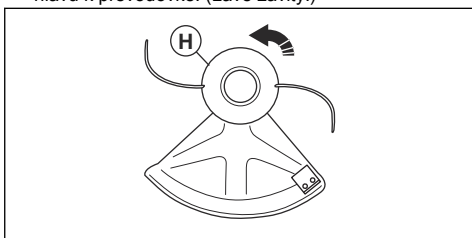
Upevnenie chrániča rezacieho nadstavca a vyžínacej hlavy (rovný hriadeľ)

1. Pomocou skrutky (L) upevnite chránič rezacieho nadstavca (A) k hriadeľu.
2. Upevnite hnací disk (B) na výstupný hriadeľ.

3. Otáčajte výstupný hriadeľ, kým sa otvor na hnacom disku nezarovná s otvorom na skrini prevodovky.
4. Zasuňte do otvoru malý skrutkovač (C) a zaistite hriadeľ.

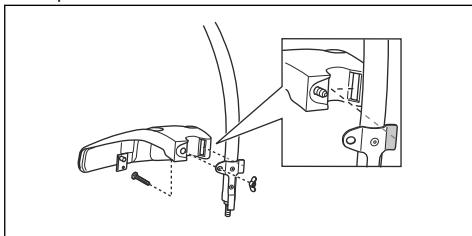


5. Otočením vyžínacej hlavy (H) proti smeru hodinových ručičiek utiahnite a upevnite vyžínaciu hlavu k prevodovke. (Ľavé závit.)

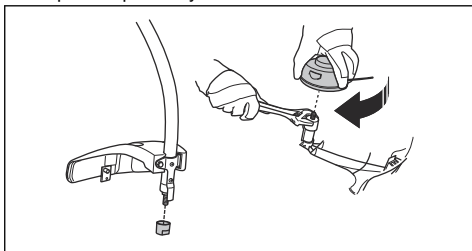


Upevnenie chrániča rezacieho nastavca a vyžínacej hlavy (zakrivený hriadeľ)

1. Pripevnite chránič. Uťahnite maticu.



2. Pripevnite prachový uzáver na hriadeľ.

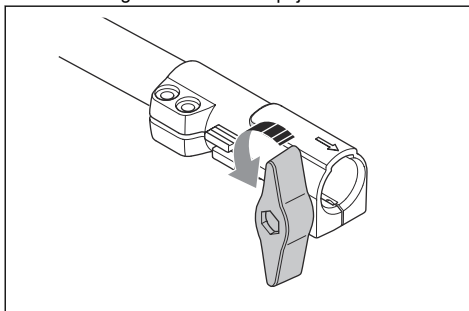


3. Pomocou nastaviteľného kľúča podržte prachový uzáver, aby ste zaistili, že sa hriadeľ nebude otáčať.

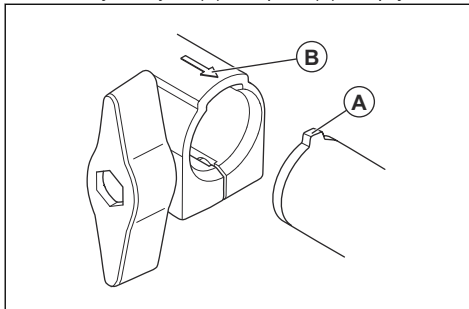
4. Upevnite vyžínaciu hlavu na hriadeľ. Otočte vyžínaciu hlavu v smere hodinových ručičiek.

Montáž dvojdielného hriadeľa

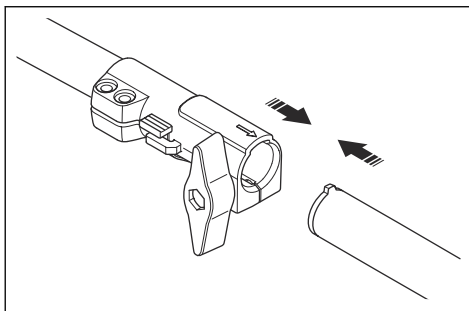
1. Otočením gombíka uvoľníte spojku.



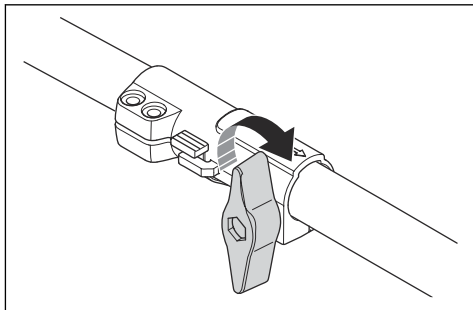
2. Zarovnajzte úchytka (A) so šípkou (B) na spojke.



3. Zasúvajte hriadeľ do spojky, kým nezapadne na miesto.

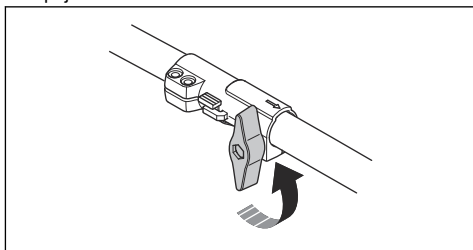


4. Gombík utiahnite na doraz.



Demontáž dvojdielného hriadeľa

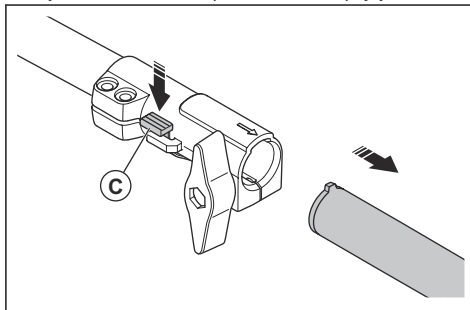
1. Otočením gombíka o tri alebo viac otáčok uvoľníte spojku.



2. Stlačte a podržte tlačidlo (C).

3. Pevne uchopíte koniec hriadeľa, ku ktorému je pripevnený motor.

4. Vytiahnite nadstavec priamo von zo spojky.



Prevádzka

Úvod



VÝSTRAHA: Pred používaním výrobku si musíte prečítať kapitolu o bezpečnosti a porozumieť informáciám, ktoré sa v nej uvádzajú.

Palivo

Tento výrobok má dvojtaktný motor.



VAROVANIE: Nesprávny typ paliva môže poškodiť motor. Používajte zmes benzínu a dvojtaktného oleja.

Namiešané palivo

- Na dosiahnutie najlepšieho výkonu a maximalizáciu životnosti motora použite namiešané alkylátové palivo Husqvarna. Toto palivo obsahuje v porovnaní s bežným palivom menej škodlivých látok, čo znižuje objem škodlivých výfukových plynov. Množstvo zvyškov po spaľovaní je pri tomto palive nižšie, čo udržuje komponenty motora čistejšie.

Miešanie paliva

Benzín

- Používajte kvalitný bezolovnatý benzín s max. 10 % etanolu.



VAROVANIE: Nepoužívajte benzín s oktanovým číslom menším než 90 RON/87 AKI. Použitie nižšieho oktanového čísla môže spôsobiť klepanie motora, ktoré môže viesť k poškodeniu motora.

Dvojtaktný olej

- Na dosiahnutie najlepších výsledkov používajte dvojtaktný olej Husqvarna.
- Ak nemáte k dispozícii dvojtaktný olej Husqvarna, môžete použiť iný dvojtaktný olej vysokej kvality, ktorý je určený pre vzduchom chladené motory. S výberom správneho oleja vám poradí váš servisný predajca.



VAROVANIE: Nepoužívajte olej pre dvojtaktné motory určený pre vodou chladené motory, niekedy označovaný aj

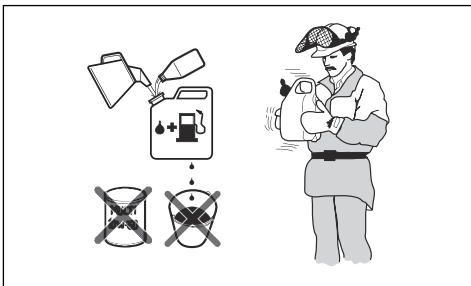
ako olej pre lodné motory. Nepoužívajte oleje určené pre štvortaktné motory.

Vytvorenie zmesi benzínu a oleja pre dvojtaktné motory

Benzín, liter	Olej pre dvojtaktné motory, liter
	2 % (50:1)
5	0,10
10	0,20
15	0,30
20	0,40



VAROVANIE: Pri miešaní malého množstva paliva môžu malé chyby výrazne ovplyvniť pomer zmesi. Opatrne odmerajte množstvo oleja, aby ste získali správnu zmes.



1. Polovicu množstva benzínu nalejte do čistej nádoby na palivo.
2. Pridajte celú dávku oleja.
3. Zmes paliva premiešajte.
4. Do nádoby pridajte zvyšné množstvo benzínu.
5. Zmes paliva opatrne premiešajte.



VAROVANIE: Zmes paliva nemiešajte na viac ako 1 mesiac.

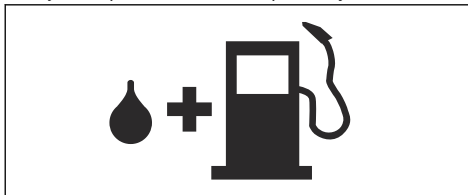
Dopĺňanie paliva do palivovej nádrže



VÝSTRAHA: Dodržiavajte nasledujúci postup kvôli vlastnej bezpečnosti.

1. Zastavte motor a nechajte ho vychladnúť.

2. Vyčistite priestor okolo veka palivovej nádrže.



3. Zatraste nádobou a skontrolujte, či je palivo úplne zmiešané.
4. Pomaly odstráňte veko palivovej nádrže a uvoľnite tlak.
5. Nalejte palivo do palivovej nádrže.



VAROVANIE: Skontrolujte, či v palivovej nádrži nie je príliš veľa paliva. Pri zahrievaní sa palivo rozširuje.

6. Uťahnite veko palivovej nádrže.
7. Utrite rozliaty benzín na produkte na okolo neho.
8. Pred štartovaním motora sa s výrobkom vzdialte od miesta dopĺňania a od zdroja paliva minimálne o 3 m/10 stóp.

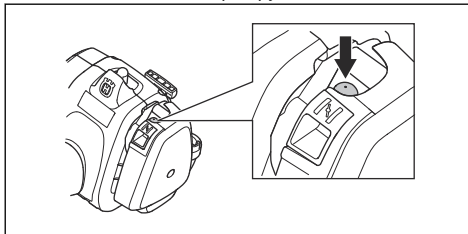
Poznámka: Ak chcete zistiť, kde sa palivová nádrž nachádza na vašom výrobku, pozrite si časť *Prehľad výrobku na strane 439*.

Kontrola pred naštartovaním

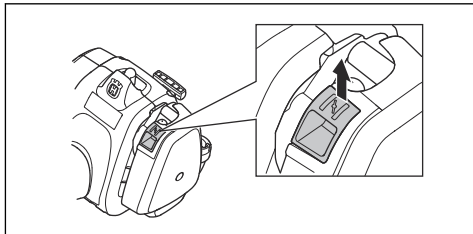
1. Skontrolujte, či výrobok nemá poškodené, uvoľnené alebo opotrebované diely a či niektoré diely nechýbajú.
2. Skontrolujte, či sú utiahnuté matice a skrutky.
3. Skontrolujte, či výžinacia hlava nie je poškodená.
4. Uistite sa, že nie je upchatý vzduchový filter.
5. Skontrolujte, či sú bezpečnostné zariadenia na výrobku nepoškodené.
6. Skontrolujte, či na výrobku nedochádza k úniku paliva.

Štartovanie studeného motora

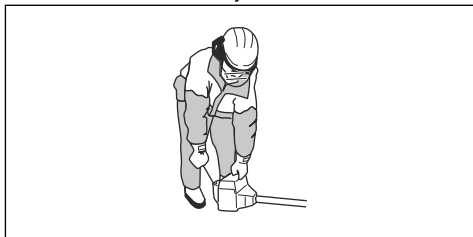
1. 10-krát stlačte balónik pumpy.



2. Nastavte ovládanie sýtiča do polohy sýtiča.



3. Ľavou rukou držte telo výrobku na zemi.



VAROVANIE: Na výrobok nestúpajte.

4. Pravou rukou pomaly ťahajte rukoväť štartovacieho lanka, kým nepocítite odpor. Potom rýchlo a silno ťahajte rukoväť štartovacieho lanka, kým sa motor nenašartuje alebo sa nepokúsi našartovať.



VÝSTRAHA: Štartovacie lanko si neovíjajte okolo ruky.

5. Nastavte ovládanie sýtiča do polohy prevádzky.
6. Ak sa motor našartuje, mierne stlačte páčku plynu a nechajte motor bežať 60 sekúnd, aby sa zahrial. Ak sa motor nenašartuje, ťahajte rukoväť štartovacieho lanka, kým sa motor nenašartuje. Potom mierne stlačte páčku plynu a nechajte motor bežať 60 sekúnd, aby sa zahrial.



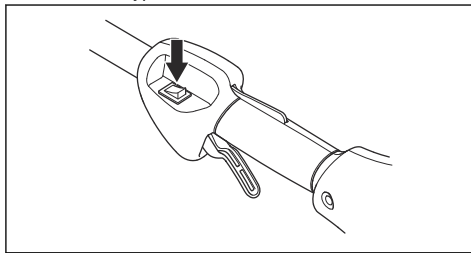
VAROVANIE: Nevytáhujte štartovaciu šnúru úplne von a nepúšťajte rukoväť štartovacej šnúry. Mohlo by to viesť k poškodeniu výrobku. Štartovacie lanko pomaly uvoľníte.

Štartovanie teplého motora

- 10-krát stlačte balónik pumpy.
- Ťahajte štartovacie lanko, kým motor nenašartuje.

Vypnutie výrobku

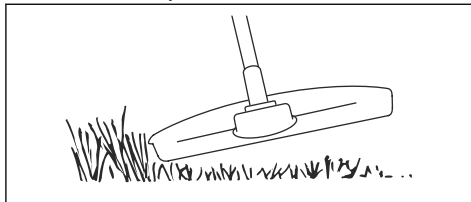
- Stlačením vypínača zastavte motor.



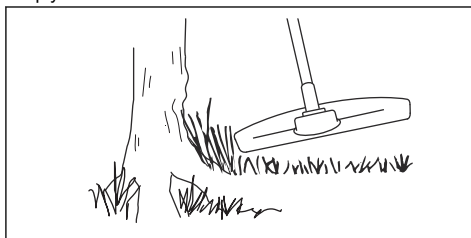
Poznámka: Vypínač sa automaticky vráti do svojej východiskovej polohy.

Vyžínanie trávy

1. Vyžínaciu hlavu držte okamžite nad zemou a v uhle. Netlačte lanko vyžínača na trávnik.



2. Skráťte dĺžku lanka vyžínača na 10 – 12 cm.
3. Znížte otáčky motora, aby ste znížili riziko poškodenia rastlín.
4. Pri kosení trávnik v blízkosti predmetov používajte plyn na 80 %.



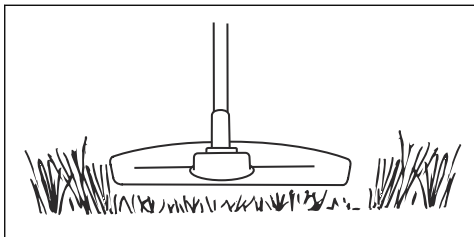
Začist'ovanie trávy nožom na trávu

1. Kosiace nože na trávu sa nesmú používať na rezanie drevených kmeňov.
2. Nôž na trávu sa používa na všetky typy vysokých alebo hrubých stoniek rastlín.
3. Trávnatý porast sa kosí kývavým pohybom do strán, pričom pohyb sprava doľava je kosiaci a pohyb zľava doprava je vratný (naprázdno). Ľavá strana noža (v uhle medzi 8 až 12 hodinami) je určená na kosenie.

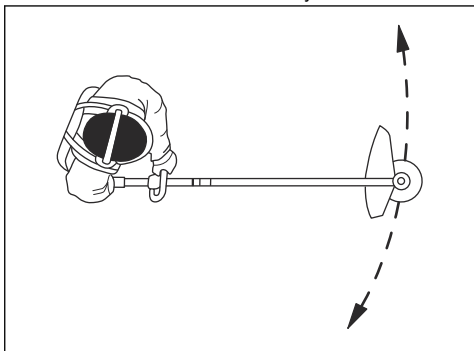
4. Pokiaľ je nôž pri kosení trávy naklonený doľava, tráva sa zhromažďuje na línii, kde sa dá ľahšie zozbierať napríklad hrabaním.
5. Pokúste sa pracovať rytmicky. Stojte pevne s nohami od seba. Po vykonaní prázdneho vratného zdvíhu postúpte vpred a opäť sa pevne postavte.
6. Nechajte podpornú miskú zľahka ležať na zemi. Používa sa na ochranu noža proti kontaktu so zemou.
7. Zmenšite riziko namotania rastlín okolo noža tým, že budete vždy pracovať s motorom na plný plyn a pri vratnom pohybe sa vyhnete už odrezanému materiálu.
8. Skôr ako začnete zbierať nakosený materiál, zastavte chod stroja, odopnite stroj z postroja a položte stroj na zem.

Kosenie trávnik

1. Pri kosení trávnik sa uistite, že je lanko vyžínacia rovnobežne so zemou.



2. Netlačte vyžínaciu hlavu k zemi. Mohlo by to viesť k poškodeniu výrobku.
3. Pri kosení trávnik posúvajte výrobok zo strany na stranu. Použite maximálne otáčky.



Odpratávanie trávy

Prúd vzduchu z rotujúceho žacieho lanka je možné použiť na odpratávanie trávy z požadovanej plochy.

1. Podržte vyžínaciu hlavu a žacie lanko vodorovne nad zemou.
2. Použite plný plyn.
3. Pohyb vyžínacej hlavy zo strany do strany môžete trávu odfukovať.



VÝSTRAHA: Pri každom založení nového žacieho lanka očistite kryt vyžínacej hlavy, aby ste zamedzili narušeniu rovnováhy a vibrovaniu rúkaví. Taktiež skontrolujte ostatné časti vyžínacej hlavy a v prípade potreby ich očistite.

Vyžínacia hlava na trávnik

- Za účelom zníženia vibrácií sa uistite, že žacie lanko trávnik pevne a rovnomerne obmotáte okolo cievky.
- Používajte len schválené vyžínacie hlavy na trávnik a žacie lanká trávnik. Pozrite si časť *Príslušenstvo na strane 456*.
- Používajte správnu dĺžku žacieho lanka trávnik. Dlhé žacie lanko trávnik vyžaduje väčší výkon motora ako krátke žacie lanko.
- Uistite sa, že nie je poškodený rezací zub na chrániči rezacieho nadstavca.
- Pred pripnutím k výrobku namočte žacie lanko trávnik na 2 dni do vody. Zvýšite tak životnosť žacieho lanka trávnik.
- Vyhľadajte si inštrukcie týkajúce sa rezacích nástrojov tak, aby ste použili správne uchytienie strihacej šnúry a správny priemer strihacej šnúry.

Údržba

Úvod



VÝSTRAHA: Pred vykonávaním akejkolvek údržby si musíte prečítať kapitolu o bezpečnosti a porozumieť jej.

Údržba a opravné práce na výrobku si vyžadujú špeciálne školenie. Zaručujeme dostupnosť profesionálnych opravných prác a údržby. Ak váš predajca nie je servisný zástupca, kontaktujte predajcu, ktorý vám poskytne informácie o najbližšom servisnom zástupcovi.

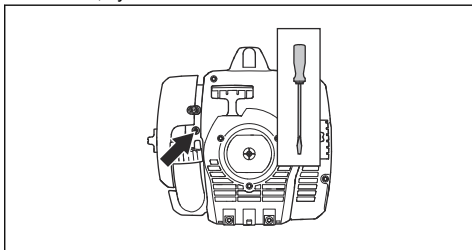
Plán údržby

Údržba	Denne	Týždenne	Mesačne
Vyčistíte vonkajšie povrchy.	X		
Vyčistíte vzduchový filter. V prípade potreby ich vymeňte.	X		
Skontrolujte funkčnosť poistky páčky plynu a plynu.	X		
Skontrolujte vypínač.	X		
Skontrolujte kryty.	X		
Skontrolujte vyžínaciu hlavu.	X		
Skontrolujte poistnú maticu.	X		
Skontrolujte, či neuniká palivo.	X		
Skontrolujte, či je nôž na trávu zarovnaný so stredom a či je ostrý. Ďalej skontrolujte, či nôž alebo stredový otvor nejavia známky poškodenia.	X		
Skontrolujte, či sa pri voľnobehu neatáča rezací nadstavec.	X		
Aplikujte mazivo na dvojdielny hriadeľ.		X	
Skontrolujte rukoväť štartovacieho lanka a štartovacie lanko.		X	
Skontrolujte mazivo kužeľového prevodu.		X	
Vyčistíte vonkajší povrch zapalovacej sviečky. Vyberte zapalovaciu sviečku a zmerajte medzeru medzi elektródami. Nastavte medzeru medzi elektródami alebo vymeňte zapalovaciu sviečku.		X	
Vyčistíte chladiaci systém.		X	
Vyčistíte alebo vymeňte kryt na ochranu pred iskrami v tlmíči výfuku.		X	
Vyčistíte vonkajší povrch karburátora a jeho okolie.		X	
Skontrolujte, či nie je znečistený palivový filter.			X
Skontrolujte, či nie je poškodená palivová hadica.			X
Skontrolujte všetky káble a konektory.			X
Skontrolujte opotrebovanie spojky, pružín spojky a bubna spojky.			X
Vymeňte zapalovaciu sviečku.			X

Nastavenie voľnobežných otáčok

Pred nastavením voľnobežných otáčok sa uistite, že je čistý vzduchový filter a pripevnený kryt vzduchového filtra.

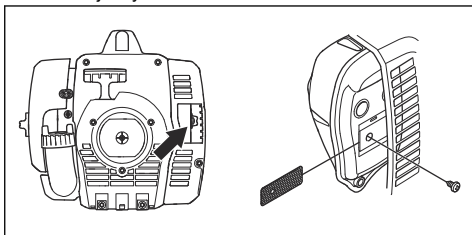
1. Nastavovaciu skrutku voľnobežných otáčok T označenú značkou „T“ otáčajte v smere hodinových ručičiek, kým sa rezací nadstavec nezačne otáčať.



2. Nastavovaciu skrutku voľnobežných otáčok T označenú značkou „T“ otáčajte proti smeru hodinových ručičiek, kým sa rezací nadstavec nezastaví.
3. Voľnobežné otáčky musia byť nižšie ako otáčky, pri ktorých sa začne otáčať rezací nadstavec. Voľnobežné otáčky sú nastavené správne, ak motor beží plynulo vo všetkých polohách.

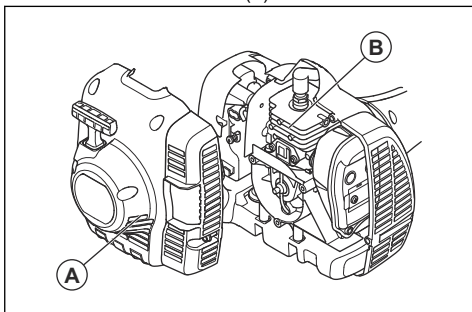
Údržba krytu na ochranu pred iskrami

- Kryt na ochranu pred iskrami vyčistíte pomocou drôtenej kefy.



Čistenie chladiaceho systému

- Pomocou kefy vyčistíte nasávanie vzduchu (A) na štartéri a chladiace rebrá (B) na valci.

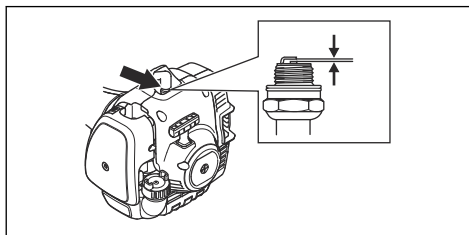


Kontrola zapaľovacej sviečky



VAROVANIE: Používajte odporúčanú zapaľovaciu sviečku. Uistite sa, že pri výmene použijete rovnaký diel ako diel dodaný výrobcom. Nesprávny typ zapaľovacej sviečky môže viesť k poškodeniu výrobku. Skontrolujte, či je zapaľovacia sviečka správne nainštalovaná. Ak potrebujete ďalšie informácie, obráťte sa na servisného predajcu.

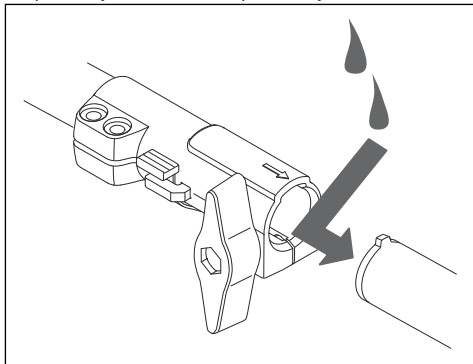
1. Zapaľovaciu sviečku skontrolujte v prípade:
 - a) nízkeho výkonu motora,
 - b) problémov s naštartovaním motora,
 - c) nesprávnej prevádzky motora pri voľnobežných otáčkach.
2. Ak máte problémy s naštartovaním alebo prevádzkou motora, skontrolujte, či sa na zapaľovacej sviečke nevyskytuje neželaný materiál. Zníženie rizika prítomnosti neželaného materiálu na elektródach zapaľovacej sviečky:
 - a) uistite sa, že sú správne nastavené voľnobežné otáčky,
 - b) uistite sa, že používate správnu zmes paliva,
 - c) uistite sa, že je čistý vzduchový filter.
3. Ak je zapaľovacia sviečka znečistená, vyčistite ju. Skontrolujte správnu šírku medzery medzi elektródami. Pozrite si časť *Technické údaje na strane 455*.



4. V prípade potreby vymeňte zapaľovaciu sviečku.

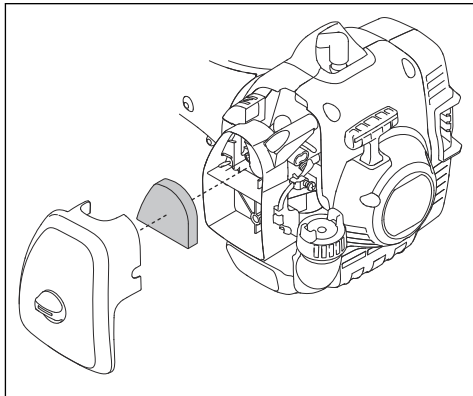
Aplikácia maziva na dvojdielny hriadeľ

- Mazivo naneste na koncovú časť hnacieho hriadeľa po každých 30 hodinách prevádzky.



Čistenie vzduchového filtra

1. Odstráňte kryt vzduchového filtra a vzduchový filter.



2. Očistíte vzduchový filter teplou mydlovou vodou. Pred opätovným vložením sa uistíte, že je vzduchový filter suchý.
3. Ak je vzduchový filter príliš znečistený a nie je možné ho vyčistiť, vymeňte ho. Poškodený vzduchový filter vždy vymeňte.
4. Ak je výrobok vybavený penovým vzduchovým filtrom, použite olej vzduchového filtra. Olej vzduchového filtra aplikujte len na penový vzduchový filter. Neaplikujte olej na plstený filter.

Aplikácia oleja vzduchového filtra

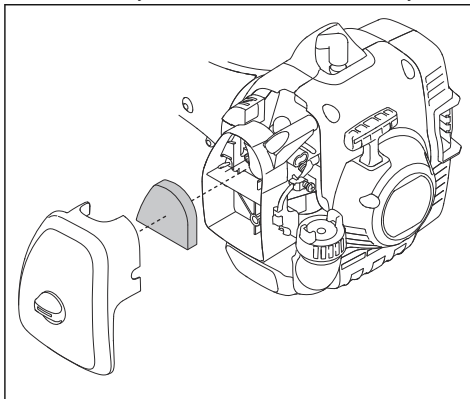


VAROVANIE: Na penové vzduchové filtre vždy aplikujte špeciálny olej vzduchového filtra. Nepoužívajte iné typy olejov.

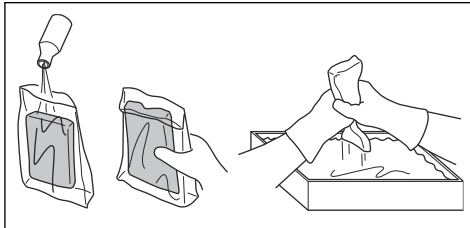


VÝSTRAHA: Dávajte pozor, aby ste si olej nevyliali na telo.

1. Odstráňte kryt vzduchového filtra a vzduchový filter.



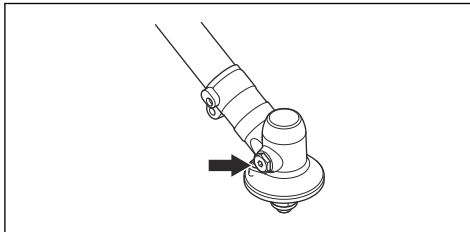
2. Vložte vzduchový filter do plastového vrečka.
3. Nalejte do plastového vrečka olej vzduchového filtra.



4. Stlačením plastového vrečka sa uistíte, že olej rovnomerne prekryje celý vzduchový filter.
5. Stlačením vzduchového filtra vo vrečku odstráňte z filtra nadbytočný olej. Vyberte vzduchový filter z vrečka.
6. Nainštalujte vzduchový filter.

Doplnenie maziva do kužeľového prevodu

- Uistite sa, že je kužeľový prevod do 3/4 naplnený mazivom pre kužeľový prevod.



Riešenie problémov

Motor neštartuje

Kontrola	Možná příčina	Postup
Západky štartéra.	Západky štartéra sa voľne nepohybujú.	Zložte kryt štartéra a očistite okolie západiek štartéra.
		Požiadajte o pomoc schváleného servisného predajcu.
Palivová nádrž.	Nesprávny typ paliva.	Vypustite palivovú nádrž a naplňte ju správnym palivom.
Zapaľovacia sviečka.	Zapaľovacia sviečka je špinavá alebo mokrá.	Uistite sa, že je zapaľovacia sviečka suchá a čistá.
	Medzi elektródami zapaľovacej sviečky je nesprávna medzera.	Vyčistite zapaľovaciu sviečku. Skontrolujte správnu šírku medzery medzi elektródami. Skontrolujte, či má zapaľovacia sviečka odrušovaciu koncovku.
		Informácie o správnej medzere medzi elektródami nájdete v časti <i>Technické údaje na strane 455</i> .
	Zapaľovacia sviečka je uvoľnená.	Utiahnite zapaľovaciu sviečku.

Motor naštartuje, no znova sa vypne

Kontrola	Možná příčina	Postup
Palivová nádrž	Nesprávny typ paliva.	Vypustite palivovú nádrž a naplňte ju správnym palivom.
Vzduchový filter	Vzduchový filter je upchatý.	Vyčistite vzduchový filter.

Preprava a uskladnenie

- Výrobok nechajte pred uskladnením vždy vychladnúť.
- Pri uskladňovaní a preprave výrobku a paliva sa uistite, že nedochádza k úniku kvapaliny a výparov. Iskry alebo otvorené plamene, napr. z elektrických zariadení alebo bojlerov, môžu vyvolať požiar.
- Na uskladnenie a prepravu paliva vždy používajte schválené kanistre.
- Pred prepravou alebo dlhodobým uskladnením vyprázdňte palivovú nádrž. Palivo zlikvidujte v príslušnom zariadení na likvidáciu.
- Počas prepravy a skladovania nasadte transportný kryt.
- Odmontujte kryt zapaľovacej sviečky od sviečky.
- Pred prepravou výrobok upevnite. Presvedčte sa, že sa ním nedá pohnúť.
- Pred dlhodobým uskladnením výrobok vyčistite a vykonajte jeho servis.

Technické údaje

Technické údaje

	122C	122LK
Motor		
Objem valca, cm ³	21,7	21,7
Voľnobežné otáčky, ot./min	2 900	2 900
Odporúčané max. otáčky, ot./min	7 200	9 100
Otáčky výstupného hriadeľa, ot./min	7 200	6 232
Výkon/max. výkon motora podľa normy ISO 8893, kW/hp pri ot./min.	0,6/0,8 pri 7 800	0,6/0,8 pri 7 800
Tlmič výfuku s katalyzátorom	Áno	Áno
Zapaľovací systém s reguláciou otáčok	Nie	Nie
Systém zapaľovania		
Zapaľovacia sviečka	HQT-4 672201	HQT-4 672201
Vzdialenosť elektród, mm	0,5	0,5
Palivový systém		
Objem palivovej nádrže, l/cm ³	0,3/300	0,3/300
Hmotnosť		
Hmotnosť bez paliva, rezacieho nadstavca a chrániča, kg	4,4	4,8
Emisie hluku ⁶⁷		
Nameraná úroveň hlučnosti, dB(A)	102	104
Zaručená (L _{WA}) úroveň hlučnosti, dB(A)	104	108
Hladiny hluku ⁶⁸		
Ekvivalentná hladina akustického tlaku pri uchu používateľa meraná podľa normy EN ISO 11806 a ISO 22868 dB(A):	88	90
Úroveň vibrácií ⁶⁹		
Ekvivalentná hladina vibrácií (a _{hv, eq}), vybavené vyžínacou hlavou, ľavá rukoväť, m/s ²	5,0	3,6

⁶⁷ Emisie hluku merané ako akustický výkon (L_{WA}) v súlade s európskou smernicou 2000/14/ES. Uvádzaná hladina akustického výkonu pre výrobok bola meraná s originálnym rezacím nadstavcom, ktorý produkuje najvyššiu úroveň. Rozdiel medzi zaručeným a nameraným akustickým výkonom spočíva v tom, že zaručený akustický výkon zahŕňa aj rozptyl výsledkov merania a rozdiely medzi jednotlivými výrobkami rovnakého modelu v súlade so smernicou 2000/14/ES.

⁶⁸ Uvedené údaje pre ekvivalentnú hladinu akustického tlaku majú typický štatistický rozptyl (štandardnú odchýlku) 1 dB (A).

⁶⁹ Uvádzané údaje pre ekvivalentnú hladinu vibrácií majú typický štatistický rozptyl (štandardnú odchýlku) 1 m/s².

	122C	122LK
Ekvivalentná hladina vibrácií ($a_{Hv, eq}$), vybavené vyžínacou hlavou, pravá rukoväť, m/s ²	3,6	3,5

Príslušenstvo

Príslušenstvo

122C		
Schválené príslušenstvo	Typ	Kryt rezacieho nadstavca
Závitový hriadeľ	3/8 R	–
Vyžínacia hlava	T25 (Ø 2,0 – 2,4 mm lanko)	574 47 95-01
	T25C (Ø 2,0 – 2,7 mm lanko)	
	R25 (Ø 2,0 – 2,4 mm lanko)	
122LK		
Schválené príslušenstvo	Typ	Kryt rezacieho nadstavca
Závitový hriadeľ	M10	–
Vyžínacia hlava	T25 (Ø 2,0 – 2,4 mm lanko)	574 19 87-01
	R25 (Ø 2,0 – 2,4 mm lanko)	

Pre uvedené modely sa odporúčajú nasledujúce nadstavce.

Schválené nadstavce	Typ	Použite s
Čistiace a zametacie príslušenstvo	SR600-2	122LK
Nadstavec plotostrihu	HA200	122LK
Nadstavec plotostrihu	HA860	122LK
Nadstavec so zarovnávačom okrajov trávnik	ECA850, ESA860	122LK
Nadstavec píly	PA1100	122LK
Predĺžovací nadstavec	EX780	122LK
Rezací nástroj kultivátora	CA230	122LK
Nadstavec fúkača	BA101	122LK
Štetinový nadstavec	BR600	122LK
Nadstavec odmachovača	DT600	122LK

Vyhlásenie o zhode

Vyhlásenie o zhode EÚ

My, spoločnosť Husqvarna AB, SE-561 82 Huskvarna, Švédsko, tel.: +46-36-146500, vyhlasujeme s plnou zodpovednosťou, že výrobok:

Popis	Benzínový vyžinač trávnik/krovínorez
Značka	Husqvarna
Typ/model	122C, 122LK
Identifikácia	Výrobné číslo z roku 2022 a nasledujúcich rokov

plne spĺňa nasledujúce smernice a nariadenia EÚ:

Nariadenie	Popis
2006/42/ES	„o strojových zariadeniach“
2014/30/EÚ	„o elektromagnetickej kompatibilite“
2000/14/ES	„týkajúca sa hluku vo voľnom priestranstve“
2011/65/EÚ	„o obmedzení používania určitých nebezpečných látok“

Boli uplatnené nasledujúce normy:

EN ISO 12100:2010, EN ISO 11806-1:2011, ISO 14982:1998, CISPR 12:2007+A1:2009, EN IEC 63000:2018

Spoločnosť RISE SMP Svensk Maskinprovning AB, Box 7035, SE-750 07 Uppsala, Sweden., z poverenia spoločnosti Husqvarna AB, vykonala dobrovoľnú typovú skúšku.

Certifikáty sú číslované: 122C - SEC/10/2271, 122LK - SEC/10/2272

Spoločnosť RISE SMP Svensk Maskinprovning AB, tiež potvrdila súlad s dodatkom V smernice Rady 2000/14/ES.

Certifikáty sú číslované: 122C - 01/164/068, 122LK - 01/164/067.

Huskvarna 2022-05-13



Claes Losdal, manažér výskumu a vývoja, Husqvarna AB

Zodpovedný za technickú dokumentáciu



VSEBINA

Uvod.....	458	Odpravljanje težav.....	473
Varnost.....	460	Prevoz in skladiščenje.....	473
Montaža.....	464	Tehnični podatki.....	474
Delovanje.....	466	Dodatna oprema.....	475
Vzdrževanje.....	470	Izjava o skladnosti.....	476

Uvod

Opis izdelka

Izdelek je trimer za travo z motorjem z notranjim zgorevanjem.

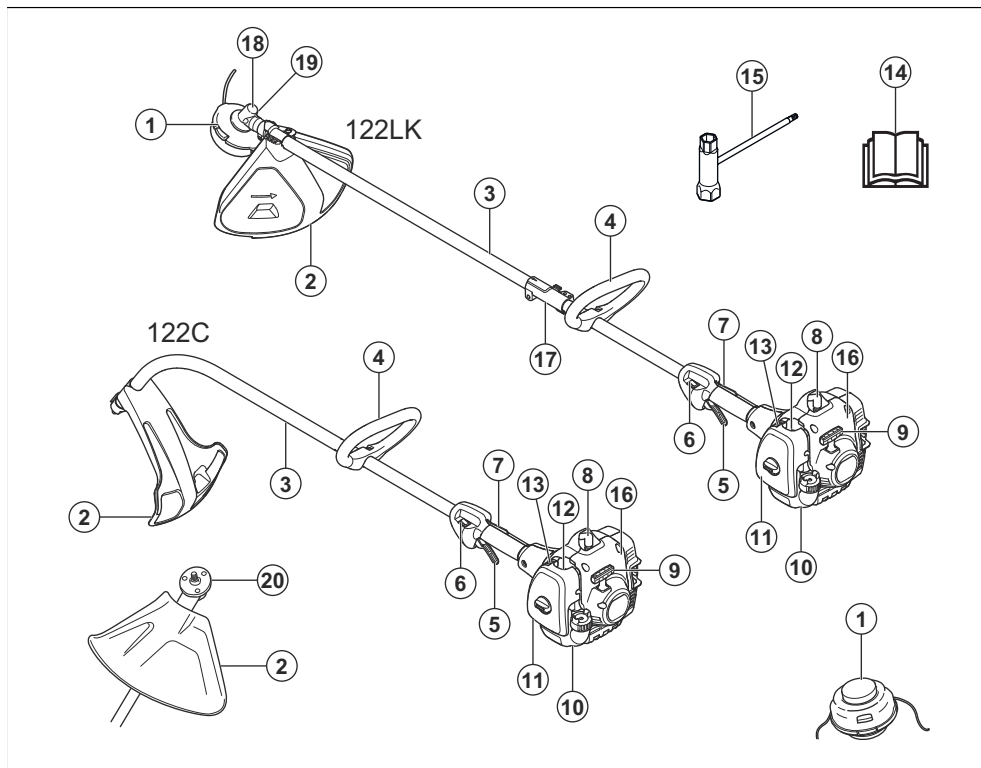
Stalno delamo na tem, da bi povečali varnost in učinkovitost med delovanjem. Če potrebujete več informacij, se obrnite na servisnega zastopnika.

Namen uporabe

Izdelek je z nameščeno kosilno glavo mogoče uporabljati za košnjo trave. Izdelek je dovoljeno uporabljati samo za obrezovanje in odstranjevanje trave.

Opomba: Uporaba tega izdelka je lahko omejena z nacionalnimi predpisi.

Pregled izdelka



1. Kosilna glava
2. Ščitnik rezalnega priključka

3. Gred
4. Okrogli ročaj

5. Ročica plina
6. Izklopno stikalo
7. Zaklep ročice plina
8. Kapica vžigalne svečke in vžigalna svečka
9. Ročica zaganjalne vrvice
10. Posoda za gorivo
11. Pokrov zračnega filtra
12. Membrana črpalke goriva
13. Ročica čoka
14. Navodila za uporabo
15. Kombiniran ključ
16. Ohišje zaganjalnika
17. Priključek gredi
18. Kotni prenos
19. Pokrovček polnilne odprtine za mast, kotni prenos
20. Pogonski disk

Simboli na izdelku



OPOZORILO! Ta izdelek je nevaren. Nepravilna in nepravilna uporaba izdelka lahko povzroči poškodbe in celo smrt uporabnika ali drugih navzočih oseb. Da preprečite poškodbe uporabnika ali drugih navzočih oseb, preberite in upoštevajte varnostna navodila v navodilih za uporabo.



Pred začetkom uporabe izdelka natančno preberite navodila za uporabo in se prepričajte, da ste jih razumeli.



Na območjih, kjer bi lahko na vas padel kakšen predmet, uporabljajte zaščitno čelado. Uporabljajte odobreno zaščito za sluh. Uporabljajte odobreno zaščito oči.



Najvišja hitrost pogonske gredi.



Izdelek je skladen z veljavnimi direktivami ES.



Izdelek lahko povzroči izmet predmetov, kar lahko vodi do poškodb.



Med uporabo izdelka bodite na varni razdalji 15 m od drugih oseb in živali.



Uporabljajte odobrene zaščitne rokavice.



Uporabljajte trpežno obutev, ki ne drsi.



Uporabljajte samo prožno rezalno žico. Ne uporabljajte rezalnih priključkov.



Emisija hrupa v okolje je skladna z direktivami in uredbami EU, ZK ter zakonodajo Novega južnega Walesa, in sicer z direktivo "Zaščita okolja pri delu (nadzor hrupa) iz 2017". Zajamčena raven zvočne moči izdelka je navedena na in v *Tehnični podatki na strani 474* in na oznaki.



Membrana črpalke goriva.



Čok.



Izdelek je v skladu z veljavnimi direktivami ZK.

yyyyywwxxxx

Na tipski ploščici je navedena serijska številka. **yyyyy** je proizvodno leto, **ww** je proizvodni teden.

Opomba: Ostali znaki in oznake na izdelku se nanašajo na zahteve za certifikacijo, ki veljajo za druga komercialna območja.

Stopnja emisij Euro V



OPOZORILO: Zaradi predelave motorja se razveljavi EU-homologacija tega izdelka.

Pomoč strankam

Za pomoč strankam pokličite: 1-800-487-5951 ali obiščite www.husqvarna.com.

Odgovornost proizvajalca

Kot je navedeno v zakonodaji, ki ureja odgovornost proizvajalca, ne prevzemamo nikakršne odgovornosti za

poškodbe, ki bi jih naši izdelki povzročili v naslednjih primerih:

- Izdelek ni pravilno popravljen.
- Izdelek je popravljen z deli, ki jih ni izdelal ali odobril proizvajalec.

- Na izdelku je nameščena dodatna oprema, ki je ni izdelal ali odobril proizvajalec.
- Izdelek ni bil popravljen v pooblaščenem servisnem centru ali pri pooblaščenem organu.

Varnost

Varnostne definicije

Opozorila, svarila in opombe opozarjajo na posebej pomembne dele priročnika.



OPOZORILO: Se uporabi, če obstaja nevarnost telesne poškodbe ali smrti uporabnika ali opazovalcev ob neupoštevanju navodil v tem priročniku.



POZOR: Se uporabi, če obstaja nevarnost poškodbe izdelka, drugih materialov ali okolice ob neupoštevanju navodil v tem priročniku.

Opomba: Se uporabi za podajanje podrobnejših informacij, potrebnih v dani situaciji.

Splošna varnostna navodila



OPOZORILO: Pred uporabo izdelka preberite navodila v povezavi z opozorili v nadaljevanju.

- Izdelek uporabljajte pravilno. Če izdelka ne uporabljate pravilno, lahko pride do poškodb ali smrti. Izdelek uporabljajte samo za opravila, ki so navedena v tem priročniku. Izdelka ne uporabljajte za druga opravila.
- Sledite navodilom v tem priročniku. Upoštevajte varnostne simbole in navodila. Če uporabnik ne upošteva navodil in simbolov, lahko pride do poškodb ali smrti.
- Priročnika ne zavržite. Sledite navodilom pri sestavljanju, uporabi in vzdrževanju izdelka v brezhibnem stanju. Navodila uporabljajte za pravilno namestitvev priključkov in dodatne opreme. Uporabljajte samo odobrene priključke in dodatno opremo.
- Ne uporabljajte poškodovanega izdelka. Sledite urniku vzdrževanja. Izvajajte samo postopke vzdrževanja, za katere ta priročnik vsebuje navodila. Vse druge postopke vzdrževanja mora izvesti pooblaščen servisni center.
- Ta priročnik ne more vsebovati vseh okoliščin, do katerih lahko pride pri uporabi izdelka. Bodite previdni in ravnajte razumno. Če niste prepričani glede določenih okoliščin, izdelka ne uporabljajte oziroma na izdelku ne izvajajte postopkov vzdrževanja. Za informacije se obrnite na strokovnjaka za izdelek, prodajalca, pooblaščen servisno delavnico ali servisni center.
- Pred sestavljanjem, skladiščenjem in vzdrževanjem izdelka odklopite kabel vžigalne svečke.
- Izdelka ne uporabljajte, če so se spremenile njegove originalne specifikacije. Ne spreminjajte delov izdelka brez vnaprejšnje odobritve proizvajalca izdelka. Uporabljajte samo dele, ki jih je odobril proizvajalec. Zaradi neustreznega vzdrževanja lahko pride do poškodb ali smrti.
- Ne vdihavajte plinov iz motorja. Dolgotrajno vdihavanje izpušnih plinov motorja je zdravju nevarno.
- Izdelka nikoli ne zaganjajte v zaprtih prostorih ali v bližini vnetljivih materialov. Izpušni plini so vroči in lahko vsebujejo iskre, ki lahko povzročijo požar. Nezadosten pretok zraka lahko povzroči poškodbe ali smrt zaradi zadušitve ali zastrupitve z ogljikovim monoksidom.
- Pri uporabi tega izdelka motor ustvari elektromagnetno polje. Elektromagnetno polje lahko poškoduje medicinske vsadke. Pred uporabo izdelka se posvetujte z zdravnikom in proizvajalcem medicinskih vsadkov.
- Izdelka ne smejo uporabljati otroci. Izdelka ne smejo uporabljati osebe, ki ne poznajo navodil za uporabo.
- Če izdelek uporabljajo osebe z zmanjšanimi fizičnimi ali intelektualnimi sposobnostmi, jih morate nenehno nadzorovati. Vedno mora biti prisotna odgovorna odrasla oseba.
- Izdelek zaklenite na mesto, kamor otroci in nepooblaščen osebe nimajo dostopa.
- Izdelek lahko povzroči izmet predmetov, zaradi česar lahko pride do poškodb. Upoštevajte varnostna navodila, da zmanjšate nevarnost poškodb ali smrti.
- Ko je motor vklopljen, se ne oddaljajte od izdelka.
- Za morebitne nesreče je odgovoren uporabnik izdelka.
- Pred uporabo izdelka se prepričajte, da deli izdelka niso poškodovani.
- Pred uporabo izdelka se prepričajte, da ste od drugih oseb ali živali oddaljeni najmanj 15 m (50 čevljev). Osebe v bližini obvestite, da izdelek nameravate uporabljati.
- Ravnajte v skladu z nacionalno ali lokalno zakonodajo. Ta lahko v določenih primerih prepreči ali omeji uporabo izdelka.

- Izdelka ne uporabljajte, ko ste utrujeni, ali pod vplivom alkohola, drog ali zdravil. Lahko vplivajo na vid, pozornost, koordinacijo ali presojo.

Varnostna navodila za nameščanje



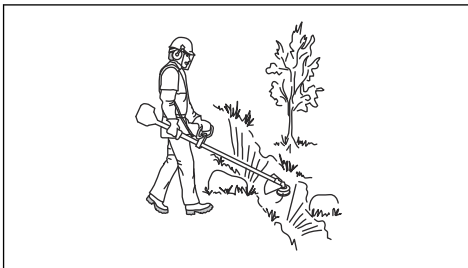
OPOZORILO: Pred uporabo izdelka preberite navodila v povezavi z opozorili v nadaljevanju.

- Preden sestavite izdelek odklopite pokrovček vžigalne svečke s svečke.
- Uporabljajte odobrene zaščitne rokavice.
- Pred zagonom motorja se prepričajte, da ste pravilno namestili pokrov in greed.

Varnostna navodila za uporabo

- Izdelek mora biti pred uporabo popolnoma sestavljen.
- Pred zagonom izdelek premaknite 3 m (10 čevljev) stran od mesta, kjer ste napolnili posodo za gorivo. Izdelek postavite na ravno podlago. Zagotovite, da se rezalni priključek ne dotika tal ali drugih predmetov.
- Izdelek lahko povzroči izmet predmetov, ki lahko poškodujejo oči. Pri uporabi izdelka vedno uporabljajte odobreno zaščito oči.
- Bodite previdni, saj se lahko izdelek med uporabo brez vaše vednosti približa otrok.
- Izdelka ne uporabljajte, če so na delovnem območju druge osebe. Če na delovno območje vstopi druga oseba, izdelek izklopite.
- Izdelek imejte vedno pod nadzorom.
- Izdelka ne uporabljajte, če v primeru nesreče ne morete pravočasno prejeti pomoči. Preden začnete uporabljati izdelek, druge osebe vedno obvestite, da izdelek nameravate uporabljati.
- Preden izdelek vklopite, se prepričajte, da so druge osebe ali živali ustrezno oddaljene.
- Preden začnete uporabljati izdelek, iz delovnega območja odstranite vse odvečne predmete. Če rezalni priključek trči ob predmet, lahko to povzroči izmet predmeta in posledično poškodbe ali smrt. Odvečni material se lahko navije okrog rezalnega priključka in povzroči poškodbe.
- Izdelka ne uporabljajte v slabih vremenskih razmerah (megla, dež, močan veter, nevarnost strele ipd.). Slabe vremenske razmere lahko ustvarijo nevarne pogoje (npr. spolzke površine).

- Zagotovite, da se lahko prosto premikate in delo opravljate v stabilnem položaju.



- Zagotovite, da pri uporabi izdelka ne morete pasti. Izdelka med uporabo ne nagibajte.
- Izdelek vedno držite z obema rokama. Izdelek držite ob svojem desnem boku.



- Rezalni priključek naj bo med uporabo izdelka pod višino pasu.
- Če je ročica čoka ob zagonu motorja v položaju za čok, se začne rezalni priključek vrteti.
- Ko se motor zaustavi, se ne dotikajte kotnega prenosa. Kotni prenos je po zaustavitvi motorja vroč. Če se vročih delov dotikate, lahko pride do poškodb.
- Preden izdelek premikate, izklopite motor.
- Ko je motor vklopljen, izdelka ne odlagajte.
- Preden z izdelka začnete odstranjevati odvečni material, izklopite motor in počakajte, da se rezalni priključek ustavi. Počakajte, da se rezalni priključek ustavi, preden vi ali oseba, ki vam pomaga, začneta odstranjevati razrezan material.

Osebna zaščitna oprema



OPOZORILO: Pred uporabo izdelka preberite navodila v povezavi z opozorili v nadaljevanju.

- Pri uporabi izdelka vedno uporabljajte odobreno osebno zaščitno opremo. Osebna zaščitna oprema ne more popolnoma preprečiti poškodb, vendar v primeru nesreče omili posledice. Prodajalec naj vam pomaga izbrati ustrezno opremo.
- Uporabljajte zaščitno čelado, če obstaja nevarnost padajočih predmetov.

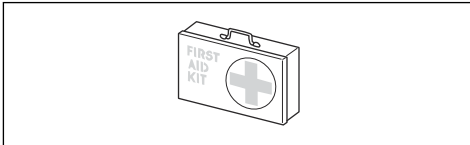
- Nosite homologirano zaščito za sluh, ki ustrezno zmanjšuje hrup. Dolgotrajna izpostavljenost hrupu lahko povzroči trajne okvare sluha.
- Uporabljajte odobreno zaščito oči. Tudi če uporabljate vizir, morate vedno uporabljati tudi homologirana zaščitna očala. Homologirana zaščitna očala morajo biti skladna s standardom ANSI Z87.1 za ZDA ali s standardom EN 166 za države EU.
- Za zaščito obraza uporabite vizir. Vizir ne zadostuje za zaščito oči.



- Po potrebi uporabite rokavice, npr. kadar pritrjujete, pregledujete ali čistite rezalno opremo.
- Nosite trpežno obutev, ki ne drsi.
- Uporabljajte oblačila iz trpežnih materialov. Vedno uporabljajte trpežne dolge hlače in dolge rokave. Ne uporabljajte ohlapnih oblačil, ki se lahko zataknejo za vejice ali veje. Ne nosite nakita, kratkih hlač in sandalov in ne hodite bos. Lase si varno spnite nad rameni.



- Paket prve pomoči hranite na doseg roke.



Varnostne naprave na izdelku

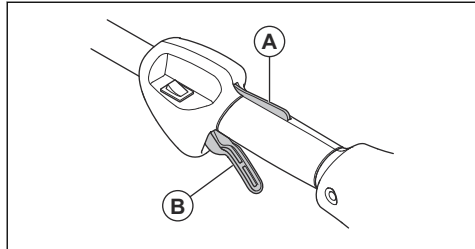


OPOZORILO: Pred uporabo izdelka preberite navodila v povezavi z opozorili v nadaljevanju.

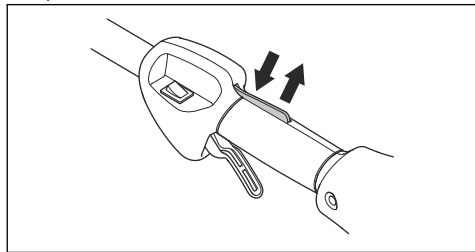
- Ne uporabljajte izdelka s poškodovanimi varnostnimi napravami.
- Redno preverjajte varnostne naprave. Glejte poglavje *Urniki vzdrževanja na strani 470*.
- Če so varnostne naprave poškodovane, se obrnite na servisnega zastopnika Husqvarna.

Preverjanje delovanja zaklepa ročice plina

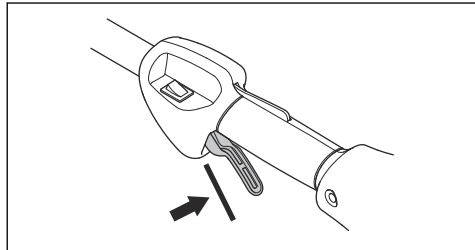
1. Prepričajte se, da se zaklep ročice plina (A) in ročica plina (B) premikata neovirano ter da povratna vzmet deluje pravilno.



2. Potisnite zaklep ročice plina navzdol in se prepričajte, da se vrne v začetni položaj, ko ga sprostite.



3. Prepričajte se, da je ročica plina zaklenjena v položaju prostega teka, ko je zaklep ročice plina sproščen.



4. Zaženite izdelek in pritisnite polni plin.
5. Sprostite ročico plina in se prepričajte, da se rezilo ustavi in miruje.

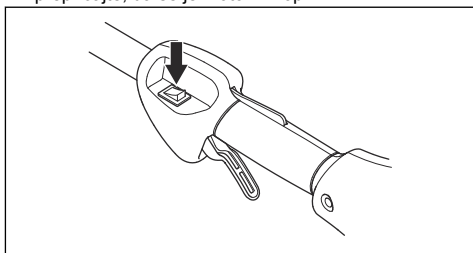


OPOZORILO: Če se rezilo premika, ko je ročica plina v prostem teku, je potrebno nastaviti hitrost prostega teka uplinjača. Glejte razdelek *Prilagajanje hitrosti prostega teka na strani 470*.

Preverjanje izklopnega stikala

1. Zaženite motor.

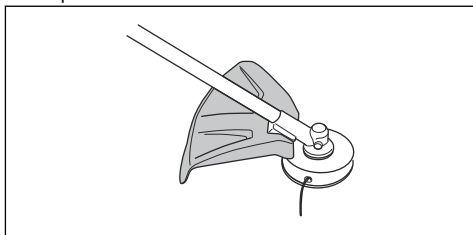
2. Izklopno stikalo premaknite v položaj za izklop in se prepričajte, da se je motor izklopil.



Preverjanje ščitnika rezalnega priključka

Ščitnik rezalnega priključka preprečuje izmet predmetov v smer uporabnika. Prav tako preprečuje poškodbe, do katerih bi prišlo, če bi se dotaknili rezalnega priključka.

1. Izklopite motor.
2. Vizualno preverite, da ni prisotnih poškodb, npr. razpok.



3. Če je ščitnik rezalnega priključka poškodovan, ga zamenjajte.

Dušilnik

- Če je dušilnik poškodovan, motorja ne zaganjajte. Poškodovan dušilnik zviša nivo hrupa in poveča nevarnost požara. V bližini vedno imejte gasilni aparat.
- Redno pregledujte, ali ima izdelek nameščen dušilnik.
- Motorja ali dušilnika se ne dotikajte, ko je motor vklopljen. Motorja ali dušilnika se nekaj časa po zaustavitvi motorja ne dotikajte. Če se dotikate vročih površin, lahko pride do poškodb.
- Vroč dušilnik lahko povzroči požar. Bodite previdni, če izdelek uporabljate v bližini vnetljivih tekočin ali hlapov.
- Če je dušilnik poškodovan, se ne dotikajte njegovih notranjih delov. Ti deli lahko vsebujejo določene rakotvorne kemikalije.

Rezalni priključek



OPOZORILO: Pred uporabo izdelka preberite navodila v povezavi z opozorili v nadaljevanju.

- Izvajajte redne vzdrževalne postopke. Pooblašeni servisni center naj rezalni priključek redno pregleduje in izvaja nastavitve ter popravila.
 - Delovanje rezalnega priključka se izboljša.
 - Življenjska doba rezalnega priključka se podaljša.
 - Nevarnost nesreč se zmanjša.
- Uporabljajte samo odobrena varovala rezalnega priključka. Glejte razdelek *Dodatna oprema na strani 475*.
- Ne uporabljajte poškodovanega rezalnega priključka.

Varnost pri delu z gorivom



OPOZORILO: Pred uporabo izdelka preberite navodila v povezavi z opozorili v nadaljevanju.

- Goriva ne mešajte v zaprtih prostorih ali v bližini vira toplote.
- Če so na izdelku ostanki goriva ali motornega olja, izdelka ne zaganjajte. Očistite ostanke goriva/olja in počakajte, da se izdelek posuši. Očistite ostanke goriva z izdelka.
- Če se z gorivom polijete po obleki, se nemudoma preoblecite.
- Pazite, da goriva ne polijete po telesu, saj lahko pride do poškodb. Če gorivo polijete po telesu, se očistite z milom in vodo.
- Če se je olje ali gorivo polilo po izdelku ali po vašem telesu, ne zaganjajte motorja.
- Če motor pušča, izdelka ne zaganjajte. Redno preverjajte, ali motor pušča.
- Z gorivom ravnajte previdno. Gorivo je vnetljivo, hlapi pa so eksplozivni, zato lahko pride do poškodb ali smrti.
- Ne vdihavajte hlapov goriva, saj lahko pride do poškodb. Zagotovite zadosten pretok zraka.
- V bližini goriva ali motorja ne kadite.
- Vročih predmetov ne postavljajte v bližino goriva ali motorja.
- Goriva ne dolivajte, ko je motor vklopljen.
- Pred dolivanjem goriva se prepričajte, da je motor ohlajen.
- Pred dolivanjem počasi odprite pokrovček posode za gorivo in previdno sprostite pritisk.
- Zagotovite zadosten pretok zraka pri dolivanju in mešanju goriva (bencin in olje za dvotaktne motorje) ali praznjenju rezervoarja za gorivo.
- Gorivo in hlapi goriva so izredno vnetljivi in lahko povzročijo resne poškodbe v primeru vdihavanja ali stika s kožo. Pri delu z gorivom bodite zato vedno zelo previdni in skrbite za zadosten pretok zraka.
- Skrbno privijte pokrovček posode za gorivo, da ne pride do požara.
- Preden izdelek vklopite, ga premaknite najmanj 3 m (10 čevljev) stran od mesta, kjer ste napolnili posodo za gorivo.

- V posodo za gorivo ne nalijte preveč goriva.
- Prepričajte se, da med premikanjem izdelka ali posode za gorivo ne more priti do iztekanja.
- Izdelka ali posode za gorivo ne postavljajte v bližino odprtega ognja, isker ali indikatorskih lučk. Prepričajte se, da izdelek med skladiščenjem ni izpostavljen odprtemu ognju.
- Pri premikanju ali skladiščenju goriva uporabljajte samo odobrene posode.
- Pred dolgotrajnim skladiščenjem izpraznite posodo za gorivo. Pri odlaganju goriva ravnajte v skladu z lokalno zakonodajo.
- Pred dolgotrajnim skladiščenjem izdelek očistite.
- Pred skladiščenjem odstranite pokrov svečke, da preprečite nenameren zagon motorja.

Varnostna navodila za vzdrževanje



OPOZORILO: Pred uporabo izdelka preberite navodila v povezavi z opozorili v nadaljevanju.

- Zaustavite motor, prepričajte se, da se rezalni priključek zaustavi, in pustite, da se izdelek ohladi pred izvajanjem vzdrževalnih del.
- Pred vzdrževalnimi deli odklopite pokrov svečke.
- Izpušni plini iz motorja vsebujejo ogljikov monoksid, strupen in zelo nevaren plin brez vonja, ki lahko

povzroči smrt. Izdelka ne zaganjajte v zaprtih prostorih.

- Izpušni plini iz motorja so vroči in lahko vsebujejo iskre. Izdelka nikoli ne zaganjajte v zaprtih prostorih ali v bližini vnetljivih materialov.
- Dodatki in spremembe izdelka, ki niso odobrene s strani proizvajalca, lahko vodijo k resnim poškodbam ali celo v smrt. Ne spreminjajte izdelka. Uporabljajte samo originalno dodatno opremo.
- Če izdelka ne vzdržujete pravilno in redno, se poveča nevarnost poškodb za osebe in izdelek.
- Vzdrževanje opravite v skladu s priporočili v teh navodilih za uporabo. Vsakršno drugačno vzdrževanje naj opravi Husqvarna osebje pooblaščenih servisnih delavnic.
- Redno dovolite osebju pooblaščenih servisnih delavnic Husqvarna izvajati vzdrževalna dela.
- Zamenjajte poškodovane, obrabljene ali zlomljene dele.
- Za pravilen način namestitve nitke trimerja in pravilen premer nitke si oglejte navodila za rezalni priključek.
- Zobe rezila pravilno nabrusite. Upoštevajte naša priporočila. Oglejte si tudi navodila na embalaži rezila.

Montaža

Uvod



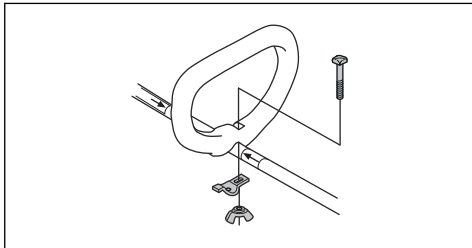
OPOZORILO: Preden sestavite izdelek morate prebrati in razumeti poglavje o varnosti.



OPOZORILO: Preden sestavite izdelek odklopite kabel vžigalne svečke s svečke.

Namestitev okroglega ročaja

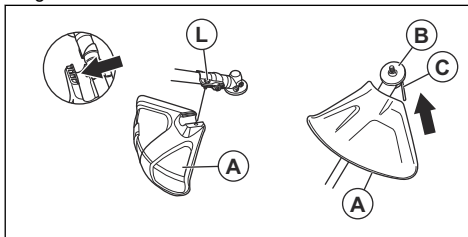
1. Okrogli ročaj namestite na gred, kot je prikazano na sliki, in ga privijte.



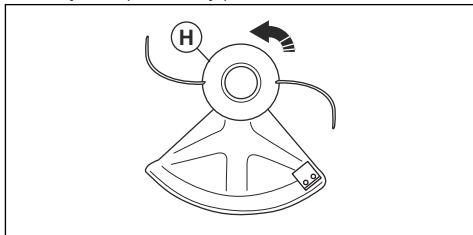
2. Prepričajte se, da je okrogli ročaj nameščen med oznakami s puščicami na gredi.

Namestitev ščitnika rezalnega priključka in kosilne glave (ravna gred)

1. Ščitnik rezalnega priključka (A) namestite na gred z vijakom (L).
2. Namestite pogonski disk (B) na pogonsko gred.
3. Obračajte pogonsko gred, dokler se odprtina v pogonskem disku ne poravnava z odprtino v ohišju menjalnika.
4. V odprtino vstavite majhen izvijač (C), da zaklenete gred.

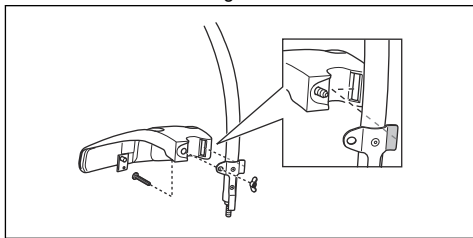


5. Kosilno glavo (H) obrnite v nasprotni smeri vrtenja urinih kazalcev, da kosilno glavo privijete ob menjalnik. (Levi navoji.)

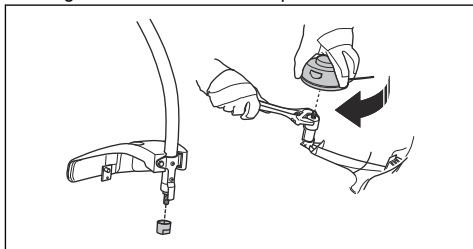


Namestitev ščitnika rezalnega priključka in kosilne glave (ukrivljena gred)

1. Namestite ščitnik. Zategnite matico.



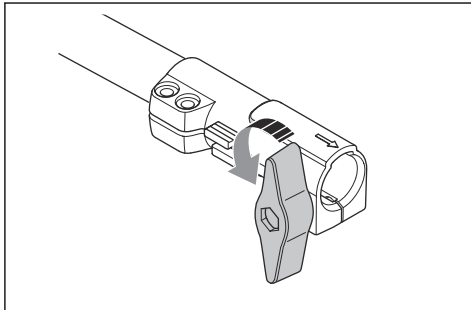
2. Na gred namestite zaščito za prah.



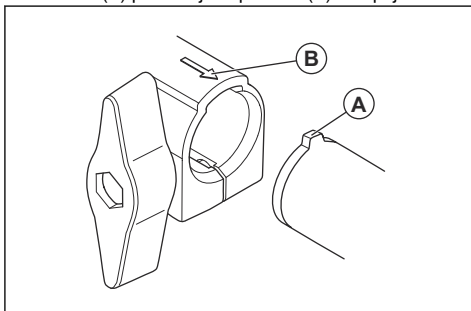
3. Zaščito za prah držite z nastavljivim ključem, da preprečite obračanje gredi.
4. Kosilno glavo namestite na gred. Kosilno glavo obrnite v smeri urinega kazalca.

Montaža dvodelne gredi

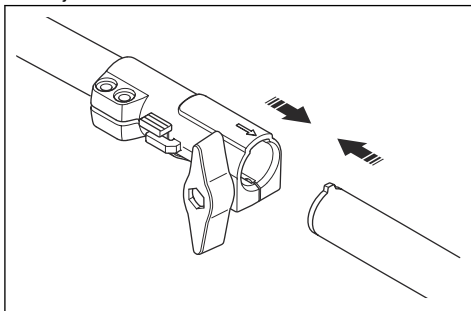
1. Obrnite gumbni vijak za sprostitvev priključek gredi.



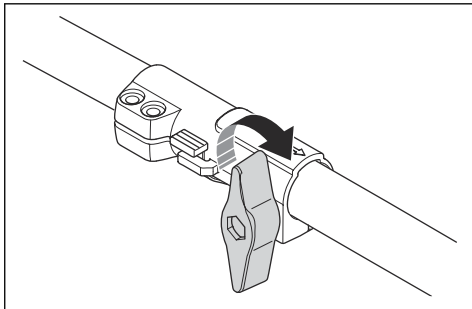
2. Jeziček (A) poravnajte s puščico (B) na spojki.



3. Gred potisnite v spojko, dokler se ta ne zaskoči na svoje mesto.

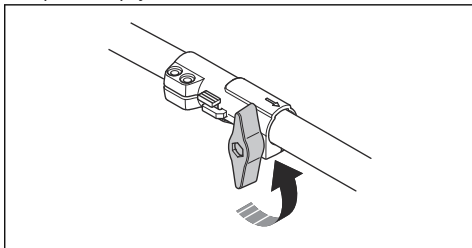


4. Popolnoma zategnite gumbni vijak.

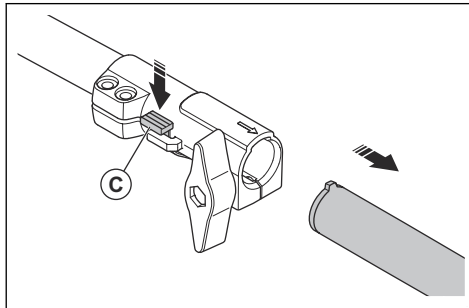


Razstavljanje dvodelne gredi

1. Gumbni vijak obrnite za 3 obrate ali več in tako sprostite spojko.



2. Pritisnite in pridržite gumb (C).
3. Trdno držite konec gredi, na katero je pritrjen motor.
4. Prikluček izvalcite naravnost iz spojke.



Delovanje

Uvod



OPOZORILO: Pred uporabo izdelka morate prebrati in razumeti poglavje o varnosti.

Gorivo

Ta izdelek ima dvotaktni motor.



POZOR: Če uporabite neustrezno vrsto goriva, lahko poškodujete motor. Uporabite mešanico bencina in olja za dvotaktne motorje.

Predhodno zmešano gorivo

- Za najboljše delovanje in daljšo življenjsko dobo motorja uporabljajte vnaprej pripravljeno mešanico goriva z alkiatom Husqvarna. V gorivu je manj škodljivih kemikalij v primerjavi z običajnim gorivom, kar zmanjšuje količino škodljivih izpušnih plinov. Po zgorevanju tega goriva je količina ostankov manjša, zaradi česar so deli motorja čistejši.

Mešanje goriva

Bencin

- Uporabljajte kakovosten neosvinčen bencin z največ 10-% vsebnostjo etanola.



POZOR: Ne uporabljajte bencina, ki ima oktansko število nižje od 90 RON/87 AKI. Uporaba nižjega oktanskega števila lahko povzroči klenkanje, kar povzroča poškodbe motorja.

Olje za dvotaktne motorje

- Za čim boljše rezultate in zmogljivost uporabite olje za dvotaktne motorje Husqvarna.
- Če olje za dvotaktne motorje Husqvarna ni na voljo, lahko uporabite kakovostno olje za dvotaktne motorje z zračnim hlajenjem. Za izbiro ustreznega olja se obrnite na servisnega zastopnika.



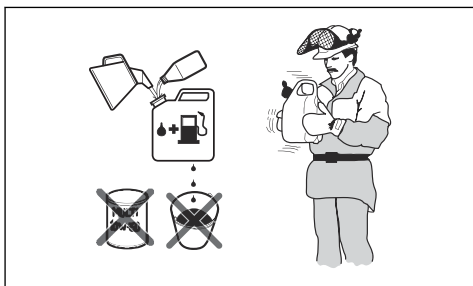
POZOR: Ne uporabljajte olja za vodno hlajene izvenkrmne dvotaktne motorje. Ne uporabljajte olja za štiritaktne motorje.

Mešanica bencina in olja za dvotaktne motorje

Bencin, liter	Olje za dvo- taktne motorje, liter
	2 % (50 : 1)
5	0,10
10	0,20
15	0,30
20	0,40



POZOR: Pri mešanju manjših količin goriva lahko manjša odstopanja močneje vplivajo na razmerje mešanice. Natančno izmerite količino olja in tako ustvarite pravilno mešanico.



1. Dolijte polovico bencina v čisto posodo za gorivo.
2. Dodajte celotno količino olja.
3. Pretresite mešanico goriva.
4. V posodo dodajte še preostalo količino bencina.
5. Temeljito pretresite mešanico goriva.



POZOR: Naenkrat ne pripravite mešanice goriva za več kot en mesec.

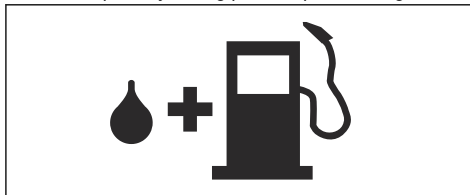
Polnjenje posode za gorivo



OPOZORILO: Za lastno varnost upoštevajte postopek v nadaljevanju.

1. Zaustavite motor in pustite, da se ohladi.

2. Očistite področje okrog pokrova posode za gorivo.



3. Pretresite posodo in tako poskrbite za ustrezno mešanje goriva.
4. Odstranite pokrovček posode za gorivo, da sprostite pritisk.
5. Napolnite posodo za gorivo.



POZOR: Prepričajte se, da v posodi za gorivo ni preveč goriva. Gorivo ima pri višjih temperaturah večjo prostornino.

6. Zategnite pokrovček posode za gorivo.
7. Na izdelku in okoli njega očistite razlito gorivo.
8. Izdelek pred zagonom za vsaj 3 m (10 čevljev) oddalnite od mesta, kjer ste točili gorivo, in od vira goriva.

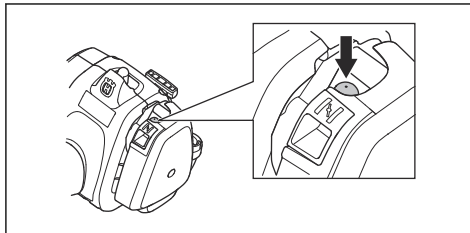
Opomba: Za mesto rezervoarja za gorivo na vašem izdelku glejte *Pregled izdelka na strani 458*.

Pregled pred zagonom

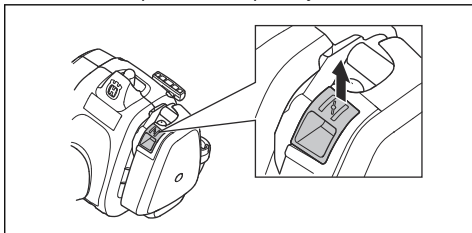
1. Izdelku ne sme manjkati noben kos, ta ne sme biti poškodovan, nepritrjen ali obrabljen.
2. Matice, vijaki in stojni vijaki morajo biti čvrsto priviti.
3. Kosilna glava ne sme biti poškodovana.
4. Zračni filter ne sme biti zamašen.
5. Prepričajte se, da varnostne naprave izdelka niso poškodovane.
6. Iz izdelka ne sme iztekati gorivo.

Zagon hladnega motorja

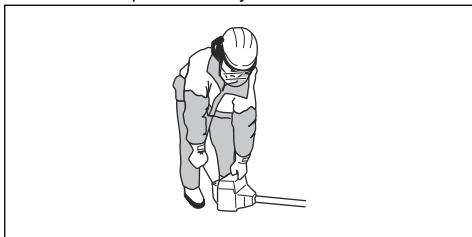
1. 10-krat pritisnite membrano črpalke za gorivo.



2. Ročico čoka premaknite v položaj za čok.



3. Z levo roko pritisnite ohišje izdelka ob tla.



POZOR: Ne stopajte na izdelek.

4. Z desno roko počasi povlecite ročico zaganjalne vrvice, dokler ne začutite upora. Hitro in silovito vlecite za ročico zaganjalne vrvice, dokler se motor ne zažene ali se vsaj poskusi zagnati.



OPOZORILO: Zaganjalne vrvice ne navijajte okoli zapestja.

5. Ročico čoka nastavite v položaj delovanja.
6. Če se motor zažene, rahlo pritisnite ročico plina in pustite motor delovati 60 sekund, da se segreje. Če se motor ne zažene, vlecite za ročico zaganjalne vrvice, dokler se motor ne zažene. Nato rahlo pritisnite ročico plina in pustite motor delovati 60 sekund, da se segreje.



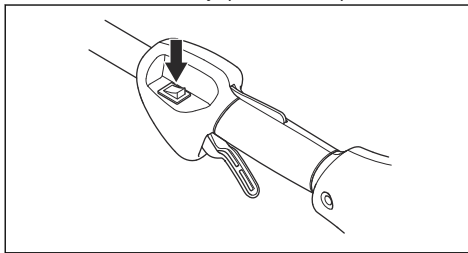
POZOR: Zaganjalne vrvice nikoli ne izvlecite do konca in ne izpustite ročice zaganjalne vrvice. Izdelek se lahko tako poškoduje. Zaganjalno vrstico počasi spustite.

Zagon toplega motorja

1. 10-krat pritisnite membrano črpalke za gorivo.
2. Povlecite zaganjalno vrstico, dokler se motor ne zažene.

Izklop izdelka

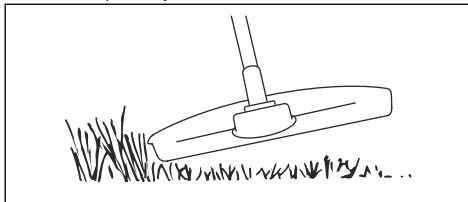
- Za zaustavitev motorja pritisnite izklopno stikalo.



Opomba: Izklopno stikalo se samodejno vrne v začetni položaj.

Obrezovanje trave

1. Kosilno glavo držite tik nad tlemi pod kotom. Kosilne nitke ne potiskajte v travo.



2. Skrajšajte kosilno nitko za 10–12 cm/4–4,75 in.
3. Znižajte št. vrt. motorja, da ne poškodujete rastlin.
4. Ko obrezujete travo v bližini predmetov, uporabljajte 80 % plina.



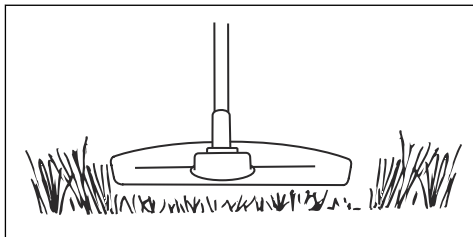
Obrezovanje trave z nožem za travo

1. Nožev in rezil za travo ne smete uporabljati za olesenela stebela.
2. Nož za travo se uporablja za vse vrste visoke ali goste trave.
3. Trava obrezuje s stranskimi zamahi, pri čemer je zamah z desne na levo zamah za obrezovanje, zamah z leve na desno pa zamah za vrnitev v prvotni položaj. Travo naj obrezuje leva stran noža (položaj ure med 8.00 in 12.00).

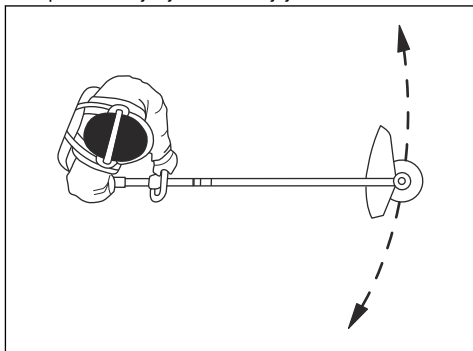
- Če je nož pri obrezovanju trave nagnjen na levo, se bo trava zbirala v liniji, zato jo bo lažje zbrati na kup, na primer z grabljami.
- Poskusite delati v ritmu. Stojte stabilno, pri tem imejte noge nekoliko narazen. Po zamahu za vrnitev v prvotni položaj se pomaknite naprej in se spet postavite v stabilen položaj.
- Podporna skleda naj bo rahlo oprta na tla. Uporablja se za zaščito noža pred udarcem v tla.
- Zmanjšajte tveganje za navijanje materiala okrog noža tako, da vedno delate s polnim plinom in se po zamahu za vrnitev v prvotni položaj izognete obrezanemu materialu.
- Pred začetkom zbiranja pokošenega materiala na kup zaustavite motor, odprite oprtnik in postavite stroj na tla.

Košnje trave

- Pri košnji trave naj bo kosilna nitka vedno vzporedna s tlemi.



- Kosilne glave ne potiskajte ob tla. Izdelek se lahko tako poškoduje.
- Pri košnji izdelek premikajte iz ene strani na drugo. Uporabite najvišje število vrtljajev.



Pometanje trave

Zračni tok iz vrteče se kosilne nitke je mogoče uporabiti za odstranjevanje trave z določenega območja.

- Kosilno glavo in njeno nitko držite vzporedno s tlemi, in sicer nad tlemi.
- Dodajte polni plin.
- Kosilno glavo premikajte od ene strani na drugo in tako pometite travo.



OPOZORILO: Očistite pokrov kosilne glave vsakič, ko nameščate novo kosilno nitko, in tako preprečite neravnovesje in vibracije pri ročajih. Preglejte tudi druge dele kosilne glave in jih po potrebi očistite.

Kosilna glava

- Kosilno nitko tesno in enakomerno navijte okrog bobna, da zmanjšate tresljaje.
- Uporabljajte samo odobrene kosilne glave in kosilne nitke. Glejte razdelek *Dodatna oprema na strani 475*.
- Kosilna nitka naj bo ustrezne dolžine. Daljša kosilna nitka porabi več moči motorja kot krajša kosilna nitka.
- Prepričajte se, da rezilo na varovalu rezalnega priključka ni poškodovano.
- Kosilno nitko 2 dni namakajte v vodi, preden jo namestite na izdelek. Tako podaljšate življenjsko dobo kosilne nitke.
- Sledite navodilom, priloženim rezilnim priključkom, za pravilno navitje nitke in izbiro nitkinega premera.

Vzdrževanje

Uvod



OPOZORILO: Pred izvajanjem vzdrževalnih del morate prebrati in razumeti poglavje o varnosti.

Za servisiranje in popravila na izdelku posebno usposabljanje ni potrebno. Zagotavljamo, da vam bodo na voljo strokovna popravila in servisiranje. Če vaš prodajalec ni pooblaščen serviser, ga povprašajte, kje je naslednja najbližja pooblaščen servisna delavnica.

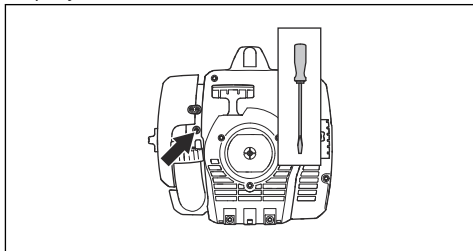
Urniki vzdrževanja

Vzdrževanje	Dnevno	Teden- sko	Mesečno
Očistite zunanjo površino.	X		
Očistite zračni filter. Po potrebi jih zamenjajte.	X		
Preverite delovanje zapore plina in plin.	X		
Preglejte izklopno stikalo.	X		
Preglejte ščitnike.	X		
Preglejte kosilno glavo.	X		
Preglejte zaklepno matico.	X		
Preglejte izdelek in zagotovite, da ne pušča goriva.	X		
Poskrbite, da je nož za travo poravnan s središčem, da je nabrušen in da nima poškodb pri nožu ali središčni odprtini.	X		
Prepričajte se, da se rezalni priključek ne vrti s hitrostjo prostega teka.	X		
Nanesite mast na dvodelno gred.		X	
Preglejte ročico zaganjalne vrvice in zaganjalno vrvico.		X	
Preglejte mast kotnega prenosa.		X	
Očistite zunanost svečke. Odstranite svečko in izmerite razmak med elektrodama. Nastavite razmak med elektrodama ali pa zamenjajte svečko.		X	
Očistite hladilni sistem.		X	
Očistite ali zamenjajte mrežico lovilnika isker na dušilniku.		X	
Očistite zunanjo površino uplinjalnika in območje okrog njega.		X	
Preverite, ali je filter goriva onesnažen.			X
Preverite, ali je cev goriva poškodovana.			X
Preverite vse kable in povezave.			X
Preverite, ali so sklopka, vzmeti sklopke in boben sklopke obrabljeni.			X
Zamenjajte svečko.			X

Prilagajanje hitrosti prostega teka

Pred prilagajanjem hitrosti prostega teka zagotovite, da je zračni filter čist in da je nameščen pokrov zračnega filtra.

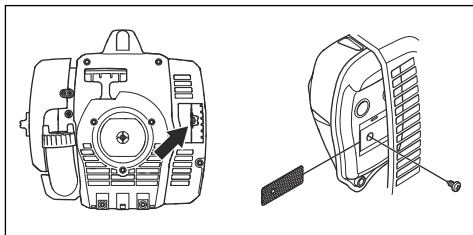
1. Vijak za hitrost prostega teka z oznako "T" obrnite v smeri vrtenja urinih kazalcev, dokler se rezalni priključek ne začne vrteti.



2. Vijak za hitrost prostega teka z oznako "T" obrnite v nasprotni smeri vrtenja urinih kazalcev, dokler se rezalni priključek ne ustavi.
3. Hitrost prostega teka mora biti nižja od hitrosti, pri kateri se rezalni priključek začne vrteti. Hitrost prostega teka je nastavljena pravilno, ko motor deluje enakomerno v vsakem položaju.

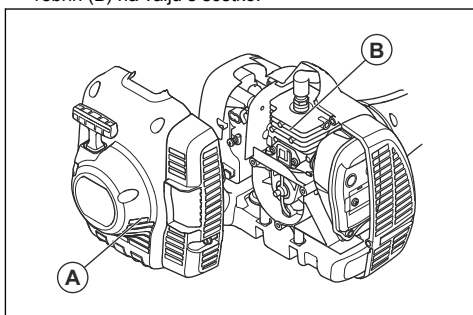
Vzdrževalna dela na lovilniku isker

- Mrežico lovilnika isker očistite z žično krtačo.



Čiščenje hladilnega sistema

- Očistite dovod zraka (A) na zaganjalniku in hladilnih rebrih (B) na valju s ščetko.



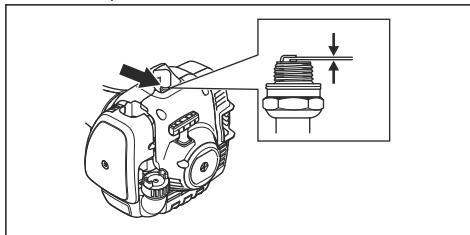
Pregled svečke



POZOR: Uporabite priporočeno svečko. Nadomestna svečka naj bo iste vrste kot priložena svečka proizvajalca. Če uporabite neustrezno svečko, se lahko

izdelek poškoduje. Prepričajte se, da je svečka nameščena z zaščito proti motnjam. Če potrebujete več informacij, se obrnite na servisnega zastopnika.

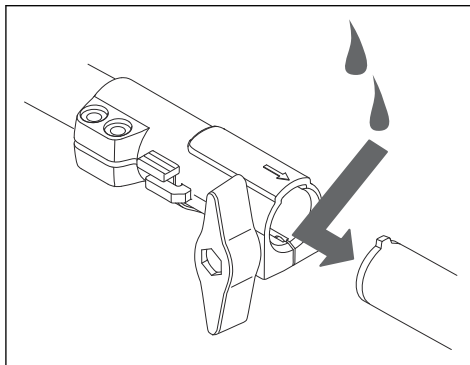
1. Preglejte svečko v naslednjih primerih:
 - a) če je moč motorja nizka,
 - b) če se pojavijo težave pri zagonu motorja,
 - c) če motor pri hitrosti prostega teka ne deluje pravilno.
2. Če se pojavijo težave pri zagonu ali delovanju motorja, preverite, ali so se na svečki nabrale obloge. Tveganje za pojav oblog na elektrodah svečke lahko zmanjšate na naslednje načine:
 - a) preverite, ali je hitrost prostega teka pravilno nastavljena,
 - b) zagotovite, da je mešanica goriva ustrezna,
 - c) zagotovite, da je zračni filter čist.
3. Če je svečka umazana, jo očistite. Prepričajte se, da je razmak pri elektrodi pravilen. Glejte razdelek *Tehnični podatki na strani 474.*



4. Svečko po potrebi zamenjajte.

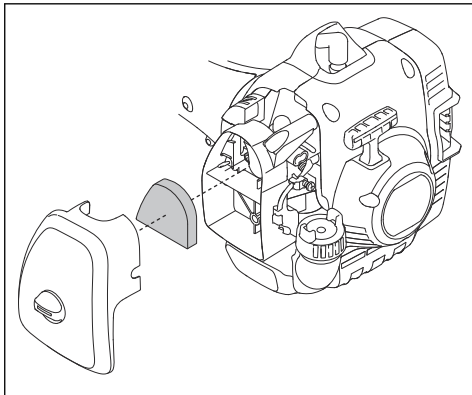
Nanos masti na dvodelno gred

- Nanesite mast na končni del pogonske gredi na vsakih 30 delovnih ur.



Čiščenje zračnega filtra

1. Odstranite pokrov zračnega filtra in zračni filter.



2. Zračni filter očistite s toplo milnico. Počakajte, da se zračni filter posuši, preden ga znova namestite.
3. Če je zračni filter preveč umazan, da bi ga lahko temeljito očistili, ga zamenjajte. Če je zračni filter poškodovan, ga zamenjajte.
4. Če ima izdelek penasti zračni filter, nanesite olje za zračni filter. Olje za zračni filter nanesite samo na penasti filter. Olja ne nanašajte na filter iz filca.

Nanos olja na zračni filter

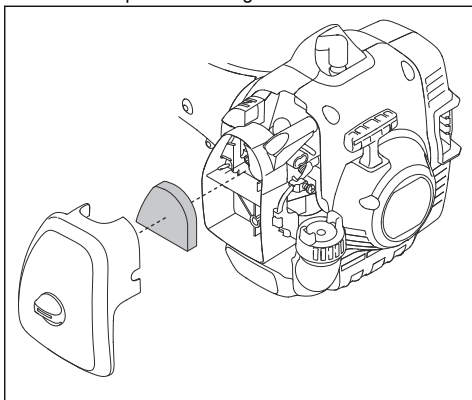


POZOR: Na penaste zračne filtre vedno nanašajte posebno olje za zračni filter. Ne uporabljajte drugih vrst olja.

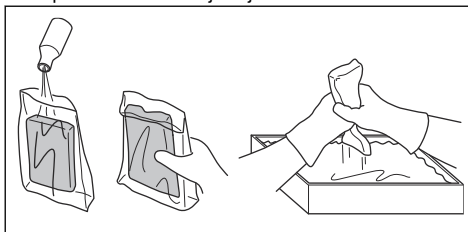


OPOZORILO: Pazite, da olja ne polijete po telesu.

1. Odstranite pokrov zračnega filtra in zračni filter.



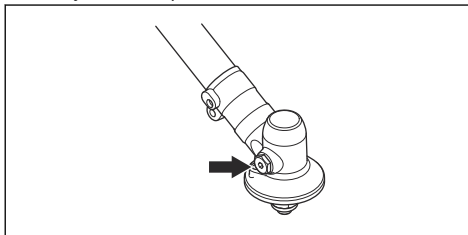
2. Zračni filter vstavite v plastično vrečko.
3. V plastično vrečko vlijte olje za zračni filter.



4. Zagotovite, da se olje enakomerno razporedi po celotnem zračnem filteru.
5. Pritisnite na zračni filter v plastični vrečki, da odstranite odvečno količino olja za zračni filter. Zračni filter vzemite iz vrečke.
6. Namestite zračni filter.

Polnjenje kotnega prenosa z masljo

- Kotni prenos mora biti do treh četrtin napolnjen z masljo za kotne prenose.



Odpravljanje težav

Motorja ni mogoče zagnati

Kontrola	Možen vzrok	Postopek
Zaskočne kljukice zaganjalnika.	Zaskočne kljukice zaganjalnika se ne morejo prosto premikati.	Odstranite pokrov zaganjalnika in očistite območje zaskočnih kljukic zaganjalnika.
		Za pomoč prosite pooblaščen servisno delavnico.
Posoda za gorivo.	Neprava vrsta goriva.	Izpraznite posodo za gorivo in jo napolnite s pravilnim gorivom.
Svečka.	Svečka je umazana ali mokra.	Poskrbite, da je svečka suha in čista.
	Razmak med elektrodama vžigalne svečke ni pravilen.	Očistite svečko. Prepričajte se, da je razmak med elektrodama pravilen. Prepričajte se, da ima svečka zaščito proti motnjam.
	Svečka ni čvrsto nameščena.	Zategnite svečko.
		Ustrezen razmak med elektrodama si oglejte v poglavju <i>Tehnični podatki na strani 474</i> .

Motor se zažene, vendar se ponovno zaustavi

Kontrola	Možen vzrok	Postopek
Rezervoar za gorivo	Nepravilna vrsta goriva.	Izpraznite rezervoar za gorivo in ga napolnite s pravilnim gorivom.
Zračni filter	Zračni filter je zamašen.	Očistite zračni filter.

Prevoz in skladiščenje

- Pred vsakim shranjevanjem se mora izdelek ohladiti.
- Preden prevažate in skladiščite izdelek in gorivo, se prepričajte, da izdelek ne pušča in da ni hlapov. Iskre ali odprti plamen, npr. z električnih naprav ali kotlov, lahko zanetijo ogenj.
- Za prevoz in skladiščenje goriva vedno uporabite odobrene posode.
- Pred transportom ali dolgotrajnim skladiščenjem izpraznite posodo za gorivo. Gorivo zavržite na temu primernem zbirnem mestu.
- Med prevozom in skladiščenjem namestite transportno zaščito.
- Pokrov svečke odstranite s svečke.
- Med prevozom pritrđite izdelek. Prepričajte se, da se ne more prestaviti.
- Pred dolgotrajnim skladiščenjem očistite izdelek in na njem opravite servis.

Tehnični podatki

Tehnični podatki

	122C	122LK
Motor		
Gibna prostornina valja v cm ³	21,7	21,7
Število vrtljajev v prostem teku, vrt/min	2900	2900
Priporočeno najvišje število vrtljajev, vrt/min	7200	9100
Hitrost pogonske gredi, vrt./min.	7200	6232
Moč/najv. izhodna moč motorja, v skladu z ISO 8893, kW/KM pri vrt/min	0,6/0,8 pri 7800	0,6/0,8 pri 7800
Dušilnik z katalizatorjem	Da	Da
Vžigalni sistem z regulacijo hitrosti	Ne	Ne
Vžigalni sistem		
Svečka	HQT-4 672201	HQT-4 672201
Razmik elektrod, mm	0,5	0,5
Sistem goriva		
Prostornina posode za gorivo v l/cm ³	0,3/300	0,3/300
Masa		
Masa brez goriva, rezilnega orodja in ščitnika, kg	4,4	4,8
Emisije hrupa ⁷⁰		
Raven zvočne moči, izmerjena, dB(A)	102	104
Raven zvočne moči, zajamčena (L _{WA}), dB(A)	104	108
Nivoji hrupa ⁷¹		
Ekvivalentna raven zvočnega tlaka pri uporabnikovem ušesu, izmerjena v skladu s standardoma EN ISO 11806 in ISO 22868, dB(A):	88	90
Ravni vibracij ⁷²		
Ekvivalentna raven vibracij (a _{h_v, eq}) z nameščeno kosilno glavo, levi ročaj, m/s ²	5,0	3,6

⁷⁰ Emisije hrupa v okolju, merjene kot moč zvoka (L_{WA}), v skladu z direktivo ES 2000/14/ES. Navedena raven zvočne moči izdelka je bila izmerjena z originalnim rezalnim priključkom, ki dosega najvišjo raven. Razlika med zajamčeno in izmerjeno ravno zvočne moči je v tem, da zajamčena raven zvočne moči, v skladu z direktivo 2000/14/ES, vključuje tudi razpršitev izmerjenih vrednosti in razlike med različnimi izdelki istega modela.

⁷¹ Podatki za ekvivalentno raven zvočnega tlaka za napravo imajo tipično statistično razpršitev (standardni odklon) v vrednosti 1 dB (A).

⁷² Zabeleženi podatki za ekvivalentno raven vibracij imajo tipično statistično razpršitev (standardni odklon) 1 m/s².

	122C	122LK
Ekvivalentna raven vibracij ($a_{hv, eq}$) z nameščeno kosilno glavo, desni ročaj, m/s^2	3,6	3,5

Dodatna oprema

Dodatki

122C		
Odobren pribor	Vrsta	Ščitnik rezalnega priključka
Navojna gred	3/8 R	–
Kosilna glava	T25 (vrstica s premerom 2,0–2,4 mm)	574 47 95-01
	T25C (vrstica s premerom 2,0–2,7 mm)	
	R25 (vrstica s premerom 2,0–2,4 mm)	
122LK		
Odobren pribor	Vrsta	Ščitnik rezalnega priključka
Navojna gred	M10	–
Kosilna glava	T25 (vrstica s premerom 2,0–2,4 mm)	574 19 87-01
	R25 (vrstica s premerom 2,0–2,4 mm)	

Za specifične modele so priporočeni sledeči dodatki.

Homologirani priključki	Vrsta	Za model
Priključek za pometanje	SR600-2	122LK
Priključek obrezovalnika žive meje	HA200	122LK
Priključek obrezovalnika žive meje	HA860	122LK
Priključek za košnjo robov	ECA850, ESA860	122LK
Priključek žage	PA1100	122LK
Podaljšek	EX780	122LK
Priključek kultivatorja	CA230	122LK
Priključek za pihalnik	BA101	122LK
Krtača	BR600	122LK
Prezračevalnik	DT600	122LK

Izjava o skladnosti

Izjava EU o skladnosti

Mi, Husqvarna AB, SE--561 82 Huskvarna, Švedska,
tel.: +46-36-146500, izjavljamo na lastno odgovornost,
da je izdelek:

Opis	Bencinski obrezovalnik trave/motorna kosa
Znamka	Husqvarna
Vrsta/model	122C, 122LK
Identifikacija	Serijske številke od letnika 2022 dalje

v celoti skladen z naslednjimi direktivami in uredbami
EU:

Uredba	Opis
2006/42/ES	"o strojih"
2014/30/EU	"o elektromagnetni združljivosti"
2000/14/EC	"o zunanjem hrupu"
2011/65/EU	"o omejevanju uporabe nekaterih nevarnih snovi"

Uporabljeni so naslednji standardi:

EN ISO 12100:2010, EN ISO 11806-1:2011, ISO
14982:1998, CISPR 12:2007+A1:2009, EN IEC
63000:2018

RISE SMP Svensk Maskinprovning AB,, Box 7035,
SE-750 07 Uppsala, Sweden, je v imenu družbe
Husqvarna AB opravil prostovoljen tipski pregled.

Številke certifikatov so: 122C - SEC/10/2271, 122LK -
SEC/10/2272

Družba RISE SMP Svensk Maskinprovning AB je tudi
preverila skladnost z Dodatkom V Ditektive sveta
2000/14/ES.

Številke certifikatov so: 122C - 01/164/068, 122LK -
01/164/067.

Huskvarna 2022-05-13



Claes Losdal, Vodja oddelka za raizskave in razvoj,
Husqvarna AB

Odgovorni za tehnično dokumentacijo



Sadržaj

Uvod.....	477	Rešavanje problema.....	492
Bezbednost.....	479	Transport i skladištenje.....	492
Sklapanje.....	483	Tehnički podaci.....	493
Rukovanje.....	485	Oprema.....	494
Održavanje.....	489	Deklaracija o usaglašenosti.....	495

Uvod

Opis proizvoda

Proizvod je trimer za travu sa SUS motorom.

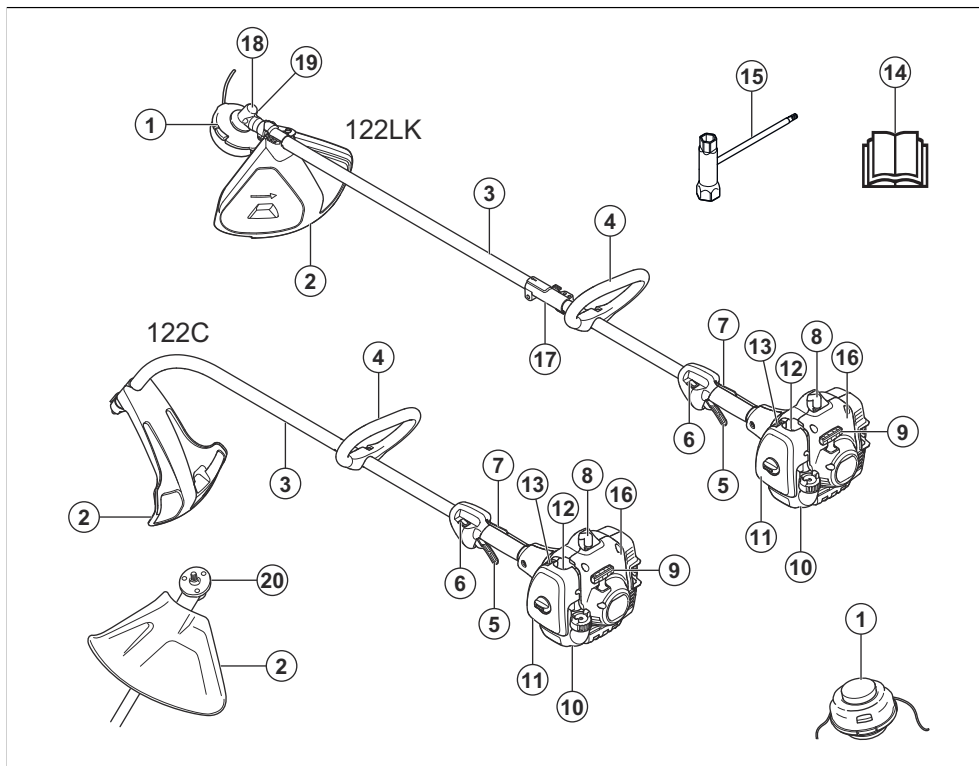
Neprestano radimo na povećanju bezbednosti i efikasnosti rada. Obratite se serviseru za više informacija.

Namena

Proizvod se koristiti sa trimi glavom za košenje trave. Nemojte koristiti proizvod za druge zadatke osim košenja trave i čišćenja trave.

Napomena: Državni propisi mogu da definišu ograničenja pri radu proizvoda.

Pregled proizvoda



1. Glava trimera
2. Štitnik priključka za košenje
3. Osovina
4. Loop ručica
5. Prekidač gasa
6. Prekidač za zaustavljanje
7. Blokada prekidača gasa
8. Kapica za svećice i svećica
9. Ručica užeta startera
10. Rezervoar za gorivo
11. Poklopac filtera za vazduh
12. Pumpa za vazduh
13. Kontrola čoka
14. Korisničko uputstvo
15. Kombinovani ključ
16. Kućište startera
17. Spojnica osovine
18. Menjač ugla
19. Poklopac za sipanje maziva, menjač ugla
20. Upravljački zahvatnik

Simboli na proizvodu



UPOZORENJE! Ovaj proizvod je opasan. Ako se proizvod ne koristi na ispravan način i pažljivo, može doći do telesnih povreda ili smrti rukovaoaca ili prisutnih osoba. Da bi se sprečile telesne povrede rukovaoaca ili prisutnih osoba, pročitajte i pridržavajte se svih bezbednosnih uputstava u korisničkom uputstvu.



Pre korišćenja pažljivo pročitajte korisničko uputstvo i uverite se da razumete njegov sadržaj.



Koristite zaštitni šlem na lokacijama gde predmeti mogu pasti na vas. Koristite odobrenu zaštitu za sluh. Koristite odobrenu zaštitu za oči.



Maksimalna brzina izlazne osovine.



Proizvod je usaglašen sa važećim direktivama EZ.



Proizvod može prouzrokovati izbacivanje predmeta, što može da izazove telesnu povredu.



Održavajte minimum rastojanja od 15 m od osoba i životinja kad je proizvod u režimu rada.



Koristite odobrene zaštitne rukavice.



Nosite neklizajuće i čvrste čizme.



Koristite samo fleksibilnu žicu za sečenje. Nemojte koristiti metalne priključke za košenje.



Oznaka emisije buke u okruženje u skladu sa direktivama i propisima EU i UK i propisom o zaštiti radova u okruženju (kontrola buke) Novog Južnog Velsa iz 2017. Garantovani nivo zvučne snage za ovaj proizvod naveden je u *Tehnički podaci na stranici 493* i na nalepnici.



Pumpa za vazduh.



Čok.



Proizvod je usaglašen sa važećim direktivama UK.

yyyywwxxx

Nazivna pločica prikazuje serijski broj. **yyyy** je godina proizvodnje, a **ww** je nedelja proizvodnje.

Napomena: Ostali simboli/nalepnice na proizvodu se odnose na zahteve u vezi sa sertifikacijom na drugim tržištima.

Emisije Euro V.



UPOZORENJE: Neovlašćene prepravke motora poništavaju EU tip odobrenja za ovaj proizvod.

Korisnička služba

Ako vam je potrebna pomoć, obratite se korisničkoj službi: 1-800-487-5951 ili posetite www.husqvarna.com.

Odgovornost za proizvod

Kako je izloženo u zakonima o odgovornosti za proizvode, mi nismo odgovorni za oštećenja prouzrokovana našim proizvodom u sledećim slučajevima:

- proizvod je popravljen na pogrešan način

- proizvod je popravljen korišćenjem delova koji nisu napravljeni ili odobreni od strane proizvođača
- proizvod ima opremu koja ne potiče ili nije odobrena od strane proizvođača
- proizvod nije popravljen u ovlašćenom servisnom centru ili od strane ovlašćenog stručnjaka

Bezbednost

Bezbednosne definicije

Upozorenja, mere opreza i napomene se koriste da ukažu na naročito važne delove korisničkog uputstva.



UPOZORENJE: Koristi se ako, usled nepoštovanja uputstava, postoji rizik od nastanka telesnih povreda ili smrti kod rukovaoca ili prisutnih osoba.



OPREZ: Koristi se ako, usled nepoštovanja uputstava, postoji rizik od nastanka oštećenja na proizvodu, drugim materijalima ili susednim oblastima.

Napomena: Koristi se za pružanje više informacija koje su neophodne u datoj situaciji.

Opšta bezbednosna uputstva



UPOZORENJE: Pročitajte upozoravajuća uputstva koja slede pre korišćenja proizvoda.

- Koristite proizvod na ispravan način. Telesna povreda ili smrt su mogući rezultat neispravnog korišćenja. Koristite proizvod samo za zadatke navedene u ovom uputstvu. Nemojte koristiti proizvod za druge zadatke.
- Pratite instrukcije navedene u ovom uputstvu. Pratite bezbednosne simbole i bezbednosna uputstva. Ako rukovalac ne prati uputstva i simbole, oštećenje, telesna povreda ili smrt su mogući rezultat.
- Nemojte baciti ovo uputstvo. Koristite uputstva kako biste sklopili, rukovali i održavali proizvod u dobrom stanju. Koristite uputstva za ispravno montiranje dodatka i opreme. Koristite isključivo odobrene dodatke i opremu.
- Nemojte koristiti oštećeni proizvod. Pridržavajte se šeme održavanja. Vršite samo one radove održavanja za koje pronađete instrukcije u ovom uputstvu. Ovlašćeni servisni centar mora izvršiti sve druge radove održavanja.
- Ovo uputstvo ne može sadržavati sve situacije koje se mogu pojaviti prilikom korišćenja proizvoda. Budite pažljivi i koristite zdrav razum. Nemojte rukovati proizvodom ili vršiti održavanje ako niste sigurni u pogledu određene situacije. Obratite se stručnjaku za proizvod, prodavcu, servisnom zastupniku ili ovlašćenom servisnom centru kako biste dobili više informacija.
- Iskopčajte kabl svećice pre nego što sklopite proizvod, uskladištite ga ili izvršite održavanje.
- Nemojte koristiti proizvod ako je izmenjen od inicijalnih specifikacija. Nemojte menjati deo na proizvodu bez odobrenja od strane proizvođača. Koristite samo delove koji su odobreni od strane proizvođača. Telesna povreda ili smrt su mogući rezultat nepravilnog održavanja.
- Nemojte udisati isparenja iz motora. Dugotrajno udisanje izduvnih gasova motora je opasno za zdravlje.
- Nemojte pokretati proizvod u zatvorenom prostoru ili blizu zapaljivih materijala. Izduvni gasovi su vrući i mogu imati varnicu koja može potpaliti požar. Nedovoljan protok vazduha može izazvati telesnu povredu ili smrt usled gušenja ili prisustva ugljenmonoksida.
- Kada koristite ovaj proizvod, motor stvara elektromagnetno polje. Elektromagnetno polje može izazvati oštećenje medicinskih implantata. Posavetujte se sa svojim lekarom i proizvođačem medicinskog implantata pre nego što počnete da rukujete ovim proizvodom.
- Nemojte dozvoliti da dete rukuje proizvodom. Ne dozvolite neobučenicima da rukuju proizvodom.
- Pobrinite se da uvek nadzirete osobu sa smanjenim fizičkim ili mentalnim sposobnostima koja koristi proizvod. Odgovorna odrasla osoba mora biti prisutna sve vreme.
- Proizvod čuvajte na mestu gde deca i neovlašćene osobe nemaju pristup.
- Proizvod može da izbacuje predmete i tako izazove telesne povrede. Pridržavajte se bezbednosnih uputstava kako biste smanjili rizik od telesne povrede ili smrti.
- Nemojte se udaljavati od proizvoda kada motor radi.
- Rukovalac proizvoda je odgovoran u slučaju ako dođe do nesreće.
- Uverite se da delovi nisu oštećeni pre nego što koristite proizvod.
- Uverite se da ste udaljeni najmanje 15 m (50 stopa) od drugih osoba ili životinja pre nego što koristite proizvod. Uverite se da osobe u okolnom području znaju da ćete koristiti proizvod.

- Pogledajte nacionalne ili lokalne zakone. Oni mogu sprečavati ili umanjiti načine za rad proizvoda u određenim slučajevima.
- Ne koristite proizvod ako ste iscrpljeni ili pod uticajem alkohola, droge ili lekova. Oni mogu uticati na vaš vid, budnost, koordinaciju ili prosuđivanje.

Bezbednosna uputstva za sklapanje



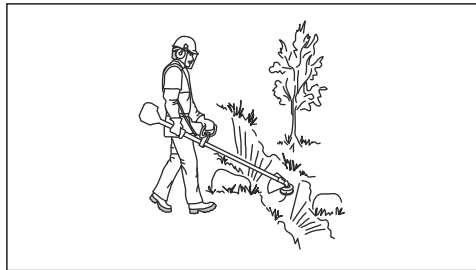
UPOZORENJE: Pročitajte upozoravajuća uputstva koja slede pre korišćenja proizvoda.

- Uklonite kapicu sa svećice pre sklapanja proizvoda.
- Koristite odobrene zaštitne rukavice.
- Pobrinite se da sklopite poklopac i osovinu na ispravan način pre pokretanja motora.

Bezbednosna uputstva za rad

- Uverite se da je proizvod u potpunosti sklopljen pre nego što počnete da ga koristite.
- Pre pokretanja, pomerite proizvod 3 m (10 stopa) od položaja gde ste punili rezervoar za gorivo. Položite proizvod na ravnu površinu. Vodite računa da priključak za košenje ne dodiruje tlo ili druge predmete.
- Proizvod može prouzrokovati izbacivanje predmeta što može rezultirati povredom očiju. Uvek koristite odobrenu zaštitu za oči prilikom rada sa proizvodom.
- Budite oprezni, dete se može približiti proizvodu bez vašeg znanja tokom rada.
- Nemojte raditi sa proizvodom ako se osobe nalaze u radnom području. Zaustavite proizvod ako osoba uđe u radno područje.
- Pobrinite se da uvek imate kontrolu nad proizvodom.
- Nemojte koristiti proizvod ako ne postoji mogućnost da primite pomoć ako dođe do nesreće. Uvek se pobrinite da druge osobe znaju da ćete raditi sa proizvodom pre nego što počnete da koristite proizvod.
- Nemojte se okretati dok držite proizvod pre nego što se uverite da nema osoba ili životinja u bezbednom području.
- Uklonite sav neželjeni materijal iz radnog područja pre početka rada. Ako priključak za košenje udari o predmet, predmet može biti izbačen i na taj način izazvati telesnu povredu ili oštećenje. Neželjeni materijal se može namotati oko priključka za košenje i prouzrokovati štetu.
- Nemojte koristiti proizvod tokom lošeg vremena (magla, kiša, jaki vetrovi, rizik od udara groma ili drugi vremenski uslovi). Opasni uslovi (kao što su klizave površine) mogu se pojaviti usled lošeg vremena.

- Uverite se da se možete slobodno kretati i raditi u stabilnom položaju.



- Uverite se da nema opasnosti od pada prilikom korišćenja proizvoda. Nemojte se naginjati kada radite sa proizvodom.
- Uvek držite proizvod sa obe ruke. Držite proizvod sa desne strane tela.



- Radite sa proizvodom tako da vam je priključak za košenje ispod struka.
- Ako je kontrola čoka u položaju čoka prilikom pokretanja motora, priključak za košenje će početi da se okreće.
- Nemojte dodirivati menjač ugla nakon zaustavljanja motora. Menjač ugla je vruć nakon zaustavljanja motora. Vruće površine mogu da izazovu telesnu povredu.
- Zaustavite motor pre nego što pomerite proizvod.
- Nemojte spuštati proizvod kada motor radi.
- Pre uklanjanja neželjenih materijala sa proizvoda, zaustavite motor i sačekajte da se priključak za košenje zaustavi. Sačekajte da se priključak za košenje zaustavi pre nego što vi ili osoba koja vam pomaže u radu uklonite isečeni materijal.

Lična zaštitna oprema



UPOZORENJE: Pročitajte upozoravajuća uputstva koja slede pre korišćenja proizvoda.

- Uvek koristite odobrenu ličnu zaštitnu opremu kada koristite proizvod. Lična zaštitna oprema ne može da u potpunosti spreči telesnu povredu, ali ona umanjuje stepen telesne povrede ako dođe do nesrećnog slučaja. Neka vam vaš prodavac pomogne u izboru odgovarajuće opreme.

- Nosite zaštitni šlem ako postoji opasnost od pada predmeta.
- Nosite odobrenu zaštitu za uši koja pruža dovoljno smanjenje buke. Dugotrajno izlaganje buci može prouzrokovati trajne povrede sluha.
- Koristite odobrenu zaštitu za oči. Prilikom korišćenja vizira istovremeno se moraju koristiti odobrene zaštitne naočare. Odobrene zaštitne naočare jesu takve koje ispunjavaju standard ANSI Z87.1 u SAD ili EN 166 u zemljama Evropske unije.
- Koristite vizir za zaštitu lica. Vizir nije dovoljan za zaštitu očiju.



- Nosite rukavice po potrebi, na primer, kada pričvršćujete, pregledate ili čistite opremu za rezanje.
- Koristite stabilne čizme koje se ne klizaju.
- Nosite odeću napravljenu od jake tkanine. Uvek nosite debele, dugačke pantalone i dugačke rukave. Nemojte nositi široku odeću koja može da se zakači o grančice i grane. Nemojte nositi nakit, kratke pantalone, sandale ili ići bosonogi. Sklonite kosu tako da vam bude iznad ramena.



- Držite komplet za prvu pomoć pri ruci.



Bezbednosni uređaji na proizvodu

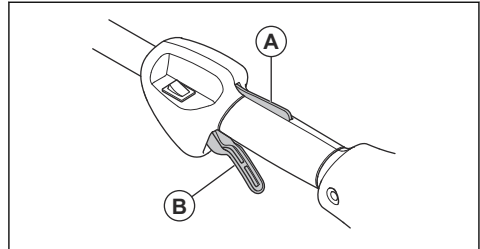


UPOZORENJE: Pročitajte upozoravajuća uputstva koja slede pri korišćenju proizvoda.

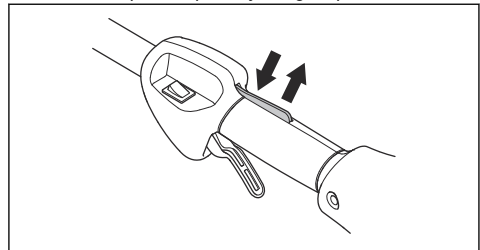
- Nemojte koristiti proizvod na kojem su oštećeni bezbednosni uređaji.
- Redovno proveravajte bezbednosne uređaje. Pogledajte *Šema održavanja na stranici 489*.
- Ako su bezbednosni uređaji neispravni, obratite se Husqvarna prodavcu.

Provera zaključavanja obarača gasa

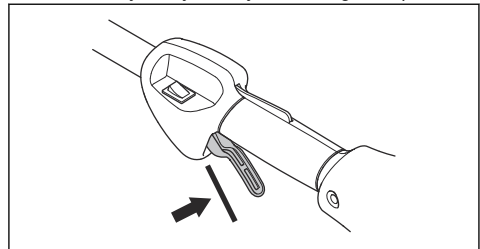
1. Uverite se da se zaključavanje obarača gasa (A) i obarač gasa slobodno pomeraju i da povratna opruga ispravno radi.



2. Pritisnite zaključavanje obarača gasa i uverite se da se vraća u početni položaj kad ga otpustite.



3. Uverite se da je obarač gasa zaključan u praznom hodu kada je zaključavanje obarača gasa otpušteno.



4. Pokrenite proizvod i dajte puni gas.
5. Otpustite obarač gasa i uverite se da se noževi zaustavljaju i ne nastavljaju da se kreću.

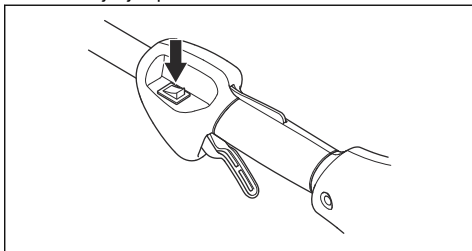


UPOZORENJE: Ako se noževi kreću dok je obarač gasa u praznom hodu, morate da podesite brzinu praznog hoda karburatora. Pogledajte *Podešavanje brzine praznog hoda na stranici 489*.

Da biste proverili rad prekidača za zaustavljanje

1. Pokrenite motor.

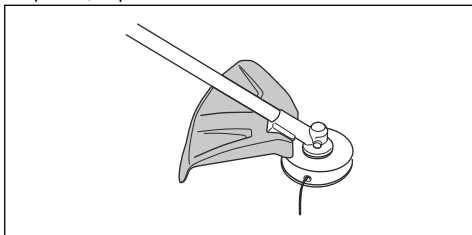
2. Pomerite prekidač za zaustavljanje u položaj za zaustavljanje i proverite da li se motor zaustavio.



Da biste proverili štitnik priključka za košenje

Štitnik priključka za košenje sprečava predmete koji se izbacuju u smeru rukovaoca. Takođe sprečava telesne povrede koje se mogu pojaviti ako dodirnete priključak za košenje.

1. Zaustavite motor.
2. Izvršite vizuelni pregled u pogledu oštećenja, na primer, naprslina.



3. Zamenite štitnik priključka za košenje ako je oštećen.

Prigušivač

- Nemojte koristiti motor sa oštećenim prigušivačem. Oštećeni prigušivač povećava nivo buke i rizik od požara. Neka vam pri ruci bude aparat za gašenje požara.
- Redovno proveravajte da je prigušivač pričvršćen na proizvod.
- Nemojte dodirivati motor ili prigušivač dok motor radi. Nemojte dodirivati motor ili prigušivač neko vreme nakon zaustavljanja motora. Vruće površine mogu da izazovu telesnu povredu.
- Vruć prigušivač može da izazove požar. Budite naročito pažljivi ako koristite proizvod blizu zapaljivih tečnosti ili isparenja.
- Nemojte dodirivati delove prigušivača ako je prigušivač oštećen. Delovi mogu da sadrže izvesne kancerogene hemikalije.

Priključak za košenje



UPOZORENJE: Pročitajte upozoravajuća uputstva koja slede pre korišćenja proizvoda.

- Vršite redovno održavanje. Neka ovlašćeni servisni centar redovno pregleda priključak za košenje kako bi izvršili podešavanja ili popravke.
 - Time se povećava učinak priključka za košenje.
 - Time se produžava radni vek priključka za košenje.
 - Time se smanjuje rizik od nesreća.
- Koristite samo odobreni štitnik priključka za košenje. Pogledajte *Oprema na stranici 494*.
- Nemojte da koristite oštećeni priključak za košenje.

Bezbednost oko goriva



UPOZORENJE: Pročitajte upozoravajuća uputstva koja slede pre korišćenja proizvoda.

- Nemojte mešati gorivo u zatvorenom prostoru ili blizu izvora toplote.
- Nemojte pokretati proizvod ako na njemu postoje tragovi goriva ili motornog ulja. Uklonite neželjeno gorivo/ulje i sačekajte da se proizvod osuši. Uklonite neželjeno gorivo sa proizvoda.
- Ako prospete gorivo na odeću, odmah je presvucite.
- Nemojte dozvoliti da gorivo dospe na vaše telo, ono može izazvati telesnu povredu. Ako gorivo dospe na vaše telo, uklonite ga pomoću sapuna i vode.
- Nemojte pokretati motor ako prospete ulje ili gorivo na proizvod ili vaše telo.
- Nemojte pokretati proizvod ako postoji curenje iz motora. Redovno proveravajte da li postoji curenje iz motora.
- Budite oprezni pri rukovanju gorivom. Gorivo je zapaljivo a isparenja su eksplozivna i mogu izazvati telesne povrede ili smrt.
- Nemojte udisati isparenja goriva, to može izazvati telesnu povredu. Pobrinite se da ima dovoljno protoka vazduha.
- Nemojte pušiti u blizini goriva ili motora.
- Nemojte stavljati vruće predmete blizu goriva ili motora.
- Nemojte dolivati gorivo kada motor radi.
- Uverite se da je motor hladan pre dopunjavanja goriva.
- Pre dopunjavanja goriva, lagano otvorite čep rezervoara za gorivo i pažljivo otpustite pritisak.
- Pobrinite se da ima dovoljno protoka vazduha prilikom dopunjavanja goriva i mešanja goriva (benzin i ulje za dvotaktne motore) ili pražnjenja rezervoara za gorivo.

- Gorivo i njegova isparenja su veoma zapaljivi i mogu izazvati teške telesne povrede u slučaju udisanja ili kontakta sa kožom. Zbog toga budite pažljivi prilikom rukovanja gorivom i obezbedite dovoljno protoka vazduha.
- Pažljivo zategnite čep rezervoara za gorivo ili može doći do požara.
- Pomerite proizvod najmanje 3 m (10 stopa) od položaja gde ste punili rezervoar pre pokretanja.
- Nemojte sipati previše goriva u rezervoar za gorivo.
- Pobrinite se da ne može doći do curenja kada pomerite proizvod ili kantu za gorivo.
- Nemojte stavljati proizvod ili kantu za gorivo na mesto gde postoji otvoreni plamen, varnice ili pilot gorionik. Uverite se da u skladišnom prostoru nema otvorenog plamena.
- Koristite samo odobrene kante za gorivo prilikom prenošenja ili skladištenja goriva.
- Ispraznite rezervoar za gorivo pre dugotrajnog skladištenja. Pridržavajte se lokalnog zakona u pogledu mesta odlaganja goriva.
- Očistite proizvod pre dugotrajnog skladištenja.
- Skinite kapicu sa svećice pre skladištenja proizvoda kako biste osigurali da se motor ne može slučajno pokrenuti.
- Zaustavite motor, uverite se da se priključak za košenje zaustavio i pustite proizvod da se ohladi pre održavanja.
- Uklonite kapicu sa svećice pre održavanja.
- Izduvni gasovi iz motora sadrže ugljen-monoksid, otrovan i veoma opasan gas bez mirisa koji može da prouzrokuje smrt. Nemojte puštati proizvod u rad u zatvorenim prostorima.
- Izduvni gasovi iz motora su vrući i mogu sadržavati varnice. Nemojte pokretati proizvod u zatvorenom prostoru ili blizu zapaljivih materijala.
- Oprema i izmene na proizvodu koji nisu odobreni od strane proizvođača mogu da izazovu teške telesne povrede ili smrt. Nemojte vršiti izmene na proizvodu. Uvek upotrebljavajte originalnu opremu.
- Ako se održavanje ne vrši na ispravan način i redovno, postoji povećani rizik od telesne povrede i oštećenja proizvoda.
- Vršite održavanje samo na način preporučen u korisničkom uputstvu. Neka ovlašćeni Husqvarna servisni agent izvrši sva druga servisiranja.
- Neka ovlašćeni Husqvarna servisni agent redovno vrši servisiranja proizvoda.
- Zamenite oštećene, pohabane ili pokvarene delove.
- Pogledajte uputstva priključka za košenje za pravilno postavljanje trimi niti i izbor pravilnog prečnika.
- Održavajte zube sečiva u dobrom stanju i propisno naoštrene. Pridržavajte se naših preporuka. Vidite takođe uputstvo o pakovanjima noževa.

Bezbednosna uputstva za održavanje



UPOZORENJE: Pročitajte upozoravajuća uputstva koja slede pre korišćenja proizvoda.

Sklapanje

Uvod



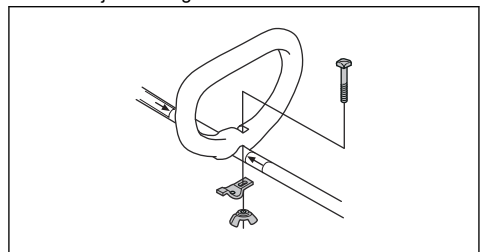
UPOZORENJE: Pre sklapanja proizvoda, morate pročitati i razumeti poglavlje o bezbednosti.



UPOZORENJE: Uklonite kabl svećice sa svećice pre sklapanja proizvoda.

Postavljanje kružne ručice

1. Pričvrstite kružnu ručicu na osovinu u skladu sa ilustracijom i zategnite.

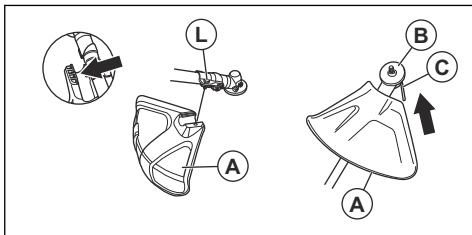


2. Pobrinite se da se kružna ručica pričvrsti između strelica na osovini.

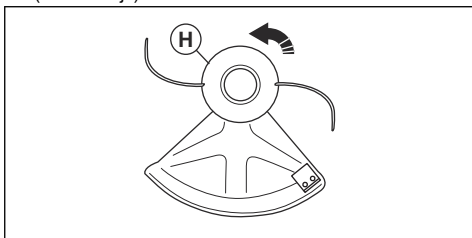
Postavljanje štitnika priključka za košenje i trimi glave (prava osovina)

1. Pričvrstite štitnik priključka za košenje (A) na osovinu pomoću vijka (L).
2. Postavite zahvatnik (B) na izlaznoj osovini.

- Okrećite izlaznu osovinu sve dok se otvor na zahvatniku ne poklopi sa odgovarajućim otvorom na kućištu menjača.
- Stavite mali odvijlač (C) u otvor kako biste blokirali osovinu.

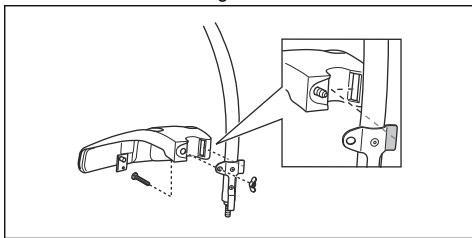


- Okrenite trimi glavu (H) suprotno kretanju kazaljke na satu da biste zategnuli trimi glavu na menjaču. (Levi navoji.)

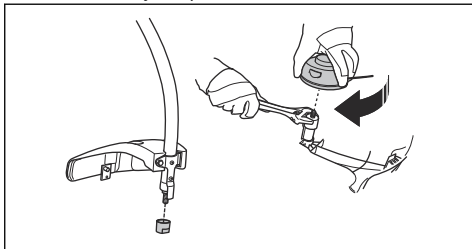


Postavljanje štitnika priključka za košenje i trimi glave (zakrivljena osovina)

- Pričvrstite štitnik. Pritegnite navrtku.



- Pričvrstite šolju za prašinu na osovinu.

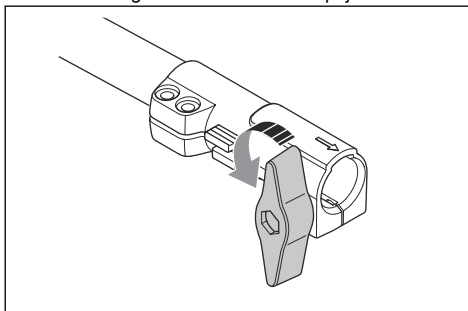


- Držite šolju za prašinu pomoću francuskog ključa da biste se uverili da se osovina ne okreće.

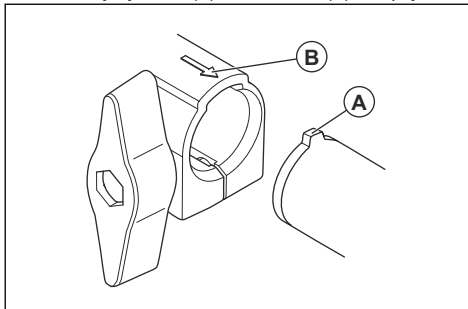
- Pričvrstite trimi glavu na osovinu. Okrenite trimi glavu u pravcu kazaljke na satu.

Sklopavanje dvodelne osovine

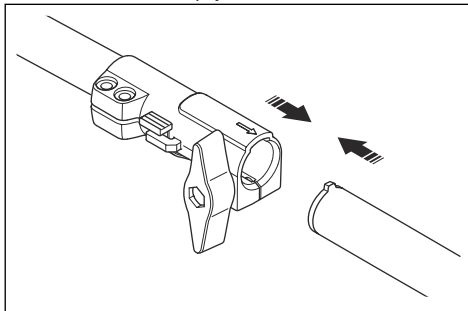
- Okrenite dugme da biste olabavili spojnicu.



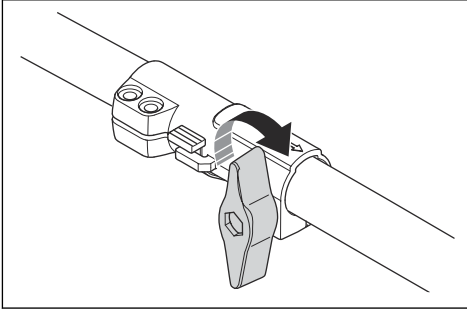
- Poravnajte jezičak (A) sa strelicom (B) na spojnici.



- Gurnite osovinu u spojnicu dok ne klikne na mesto.

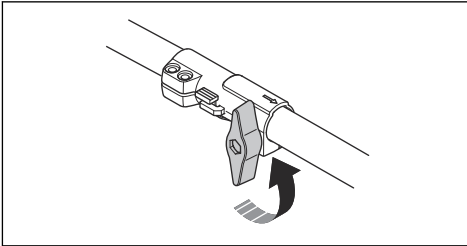


4. Potpuno zategnite dugme.



Za rasklapanje dvodelne osovine pogledajte

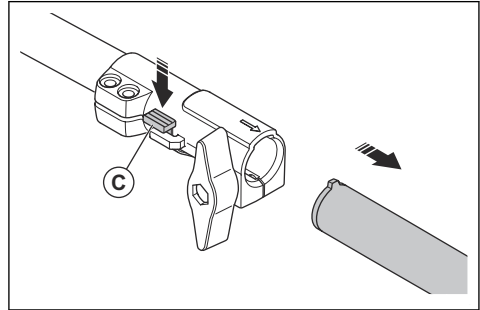
1. Okrenite dugme za 3 okreta ili više da biste olabavili spojnicu.



2. Pritisnite i zadržite dugme (C).

3. Držite čvrsto kraj osovine na koji je pričvršćen motor.

4. Izvucite priključak direktno iz spojnice.



Rukovanje

Uvod



UPOZORENJE: Pre rada sa proizvodom, morate pročitati i razumeti poglavlje o bezbednosti.

Gorivo

Ovaj proizvod ima dvotaktni motor.



OPREZ: Neodgovarajući tip goriva može da ošteti motor. Koristite mešavinu benzina i ulja za dvotaktni motor.

Unapred smešano gorivo

- Koristite Husqvarna unapred smešano alkilatno gorivo za najbolje radne karakteristike i produžetak radnog veka motora. To gorivo sadrži manje štetnih hemikalija od običnog goriva i tako smanjuje štetne izduvne gasove. Količina ostataka posle sagorevanja je niža u ovom gorivu, pa komponente motora ostaju čistije.

Mešanje goriva

Benzin

- Koristite kvalitetan bezolovni benzin sa maksimalno 10% etanola.



OPREZ: Nemojte koristiti benzin sa oktanskim brojem manjim od 90 RON / 87 AKI. Korišćenje benzina manjeg oktanskog broja može da izazove štetno detonantno sagorevanje u motoru.

Ulje za dvotaktne motore

- Najbolje rezultate daje Husqvarna ulje za dvotaktne motore.
- Ako Husqvarna ulje za dvotaktne motore nije dostupno, koristite drugo ulje za dvotaktne motore dobrog kvaliteta za motore sa vazдушnim hlađenjem. Obratite se dileru za izbor odgovarajućeg ulja.



OPREZ: Nemojte koristiti ulje za dvotaktne motore za vanbrodske motore sa vodenim hlađenjem, koje se takođe naziva ulje za vanbrodske motore.

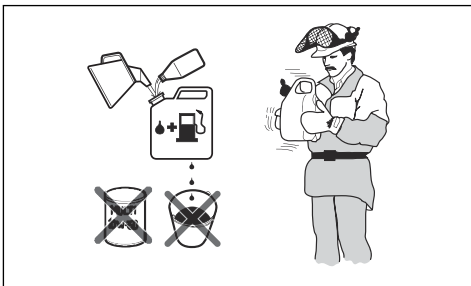
Nemojte koristiti ulje za četvorotaktne motore.

Pravljenje mešavine benzina i ulja za dvotaktne motore

Benzin, litara	Ulje za dvo-taktne motore, litara
	2% (50:1)
5	0,10
10	0,20
15	0,30
20	0,40



OPREZ: Male greške mogu znatno da utiču na odnos u mešavini kad mešate male količine goriva. Pažljivo izmerite količinu ulja koja će se koristiti za mešavinu da biste dobili tačan odnos u mešavini.



1. Dospite pola količine goriva u čist sud za gorivo.
2. Dodajte punu količinu ulja.
3. Promešajte mešavinu goriva.
4. Dodajte preostalu količinu goriva u sud za gorivo.
5. Pažljivo promešajte mešavinu goriva.



OPREZ: Ne pravite mešavinu za duže od 1 mesec unapred.

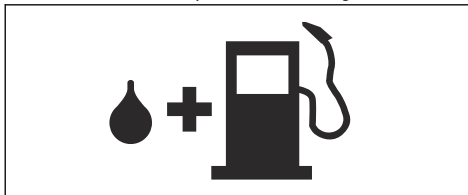
Punjenje rezervoara za gorivo



UPOZORENJE: Pratite postupak koji sledi radi vaše bezbednosti.

1. Zaustavite motor i pustite da se ohladi.

2. Obrisite deo oko čepa rezervoara za gorivo.



3. Promućkajte kantu i uverite se da se gorivo u potpunosti izmešalo.
4. Polako otvorite čep rezervoara za gorivo da biste izjednačili pritisak.
5. Napunite rezervoar za gorivo.



OPREZ: Uverite se da u rezervoaru nema previše goriva. Gorivo se širi kad se zagreje.

6. Pažljivo zategnite čep rezervoara za gorivo.
7. Obrisite gorivo koje je prosuto na i oko proizvoda.
8. Pomerite proizvod 3 m / 10 stopa ili dalje od mesta i izvora dolivanja goriva pre pokretanja motora.

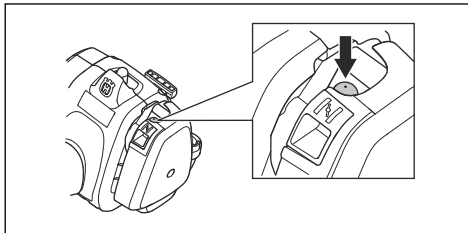
Napomena: Pogledajte *Pregled proizvoda na stranici 477* da biste videli gde na proizvodu se nalazi rezervoar za gorivo.

Pregled pre pokretanja

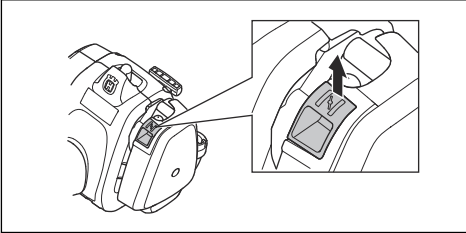
1. Uverite se da proizvodu ne fale delovi i da nema delova koji su oštećeni, labavi ili pohabani.
2. Uverite se da su navrtke, zavrtnji i vijci pritegnuti.
3. Uverite se da trimi glava nije oštećena.
4. Uverite se da filter za vazduh nije zapušen.
5. Uverite se da bezbednosni uređaji na proizvodu nisu neispravni.
6. Uverite se da na proizvodu nema curenja goriva.

Pokretanje hladnog motora

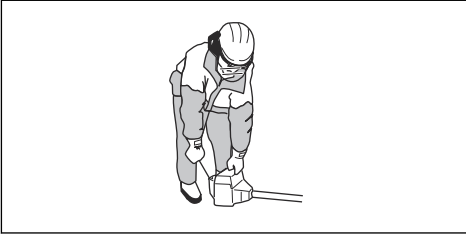
1. Pritisnite pumpu za vazduh 10 puta.



2. Postavite kontrolu čoka u položaj za čok.



3. Držite proizvod na tlu levom rukom.



OPREZ: Nemojte stajati na proizvod.

4. Polako desnom rukom povlačite užu startera dok ne osetite otpor. Zatim snažno i brzo povlačite ručicu užeta startera dok se motor ne pokrene, ili dok ne pokuša da se pokrene.



UPOZORENJE: Nemojte namotavati užu startera oko ruke.

5. Vratite komandu čoka u položaj za rad.
6. Ako se motor pokrene, ovlaš pritisnite obarač gasa i pustite motor da radi 60 sekundi da bi se zagrejavao. Ako se motor ne pokrene, povlačite ručicu užeta startera dok se motor ne pokrene. Zatim ovlaš pritisnite obarač gasa i pustite motor da radi 60 sekundi da bi se zagrejavao.



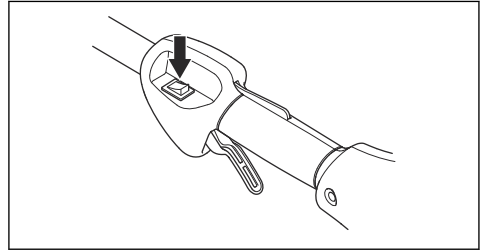
OPREZ: Ne izvlačite užu startera do kraja i ne puštajte ručicu užeta startera. To može prouzrokovati oštećenje proizvoda. Lagano otpustite užu startera.

Pokretanje toplog motora

1. Pritisnite pumpu za vazduh 10 puta.
2. Povlačite užu startera sve dok se motor ne pokrene.

Zaustavljanje proizvoda

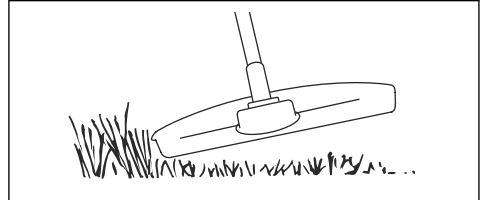
- Pritisnite prekidač za zaustavljanje da biste zaustavili motor.



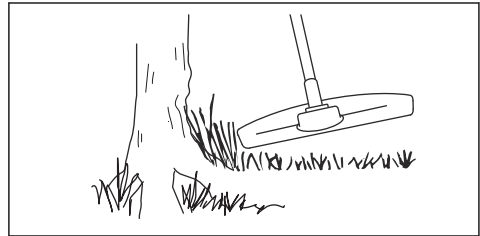
Napomena: Prekidač za zaustavljanje se automatski vraća u početni položaj.

Skraćivanje trave

1. Držite glavu trimera odmah iznad tla i pod uglom. Nemojte pritiskati trimi nit u travu.



2. Smanjite dužinu trimi niti za 10–12 cm / 4–4,75 inča.
3. Smanjite brzinu motora da biste smanjili rizik od oštećenja biljaka.
4. Koristite 80% gasa kada kosite travu blizu predmeta.



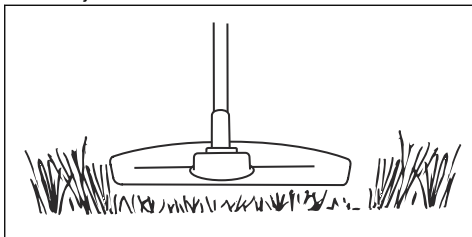
Čišćenje trave pomoću lista za košenje trave

1. List za košenje trave i nož za košenje trave ne smeju da se koriste za drvenaste stabljike.
2. Za sve tipove visoke ili snažne trave upotrebljava se list za košenje trave.
3. Trava se kosi ljuljajućim pokretom sa bočne strane, kretanje sa desne na levu stranu je čišćenje, a kretanje sa leve na desnu stranu je povratno kretanje. Pustite neka list seče sa leve strane (kao u položaju kazaljki između 8 i 12 časova).

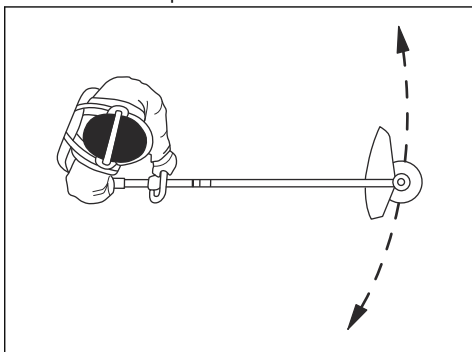
- kada se list nagne malo nalevo pri čišćenju trave, trava se sakuplja u otkose, koji se kasnije sakupljaju, na primer, grabuljama.
- Pokušajte da radite u ritmu. Stojte stabilno sa raskoračenim nogama. Pomerite se iz tog položaja posle povratnog kretanja i postavite se ponovo u stabilan položaj.
- Ostavite oslonu šolju da leži na tlu. Ona će zaštititi list od dodira sa tlom.
- Umanjite rizik od obmotavanja materijala oko lista tako što ćete uvek raditi pri punom gasu i izbegavajte prethodno isečeni materijal prilikom povratnog kretanja.
- Zaustavite motor i skinite mašinu sa uprtača pre nego što počnete sa skupljanjem materijala od čišćenja.

Košenje trave

- Uverite se da je trimi nit paralelna sa tlom prilikom košenja trave.



- Nemojte pritiskati glavu trimera o tlo. To može prouzrokovati oštećenje proizvoda.
- Pomerajte proizvod levo-desno prilikom košenja trave. Primenite punu brzinu.



Pometanje trave

Protok vazduha iz rotirajuće trimi niti može se koristiti za uklanjanje isečene trave iz područja.

- Držite trimi glavu i trimi nit paralelno sa tlom i iznad tla.
- Primenite pun gas.
- Pomerajte trimi glavu sa strane u stranu i raščišćavajte travu.



UPOZORENJE: Očistite poklopac trimi glave svaki put kada postavljate novu trimi nit kako biste sprečili neravnotežu i vibracije u ručicama. Takođe izvršite pregled drugih delova trimi glave i očistite ih po potrebi.

Glava trimera za travu

- Pobrinite se da čvrsto i ravnomerno namotate trimi nit za travu oko bubnja kako biste smanjili vibracije.
- Koristite samo odobrene trimi glave i trimi niti za travu. Pogledajte *Oprema na stranici 494*.
- Koristite ispravnu dužinu trimi niti za travu. Dugačka trimi nit koristi više snage motora u odnosu na kratku trimi nit.
- Proverite da li je nož koji se nalazi na štitniku priključka za košenje neoštećen.
- Potopite trimi nit u vodu tokom 2 dana pre nego što trimi nit pričvrstite na proizvod. Time se produžava radni vek trimi niti.
- Pogledajte uputstva uređaja za rezanje radi pravilnog postavljanja gajtana za rezanje i izbor pravilnog prečnika.

Održavanje

Uvod



UPOZORENJE: Pre održavanja, morate pročitati i razumeti poglavlje o bezbednosti.

Za sva servisiranja i popravke proizvoda, potrebna je specijalna obuka. Garantujemo dostupnost stručnih popravki i servisiranja. Ako vaš prodavac nije servisni agent, obratite mu se za informacije o najbližem servisnom agentu.

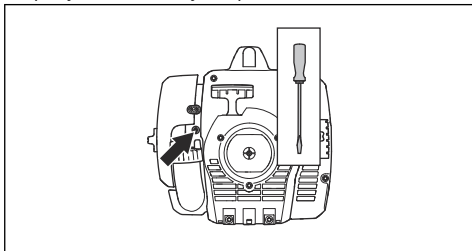
Šema održavanja

Održavanje	Dnevno	Nedeljno	Mesečno
Očistite spoljnu površinu.	X		
Očistite filter za vazduh. Zamenite ako je potrebno.	X		
Pregledajte funkciju zaključavanja obarača gasa i gas.	X		
Proverite prekidač za zaustavljanje.	X		
Pregledajte štitnike.	X		
Proverite glavu trimera.	X		
Proverite steznu navrtku.	X		
Proverite da li ima curenja goriva.	X		
Uverite se da je nož za travu poravnat sa centrom, da je oštar i da nema oštećenja na njemu ni na centralnom otvoru.	X		
Uverite se da se priključak za košenje ne okreće pri brzini praznog hoda.	X		
Nanesite mazivo na dvodelnu osovinu.		X	
Pregledajte ručicu užeta startera i uže startera.		X	
Proverite podmazivanje menjača ugla.		X	
Očistite spoljni deo kapice svećice. Uklonite kapicu svećice i izmerite zazor elektroda. Podesite zazor elektroda ili zamenite kapicu svećice.		X	
Očistite sistem za hlađenje.		X	
Očistite ili zamenite mrežicu hvatača varnica na prigušivaču.		X	
Očistite spoljnu površinu karburatora i prostor oko njega.		X	
Pregledajte da li postoji oštećenje na filteru za gorivo.			X
Pregledajte da li postoji oštećenje na crevu za gorivo.			X
Pregledajte sve kablove i veze.			X
Proverite da li ima habanja na kvačilu, oprugama kvačila i bubnju kvačila.			X
Zamenite svećicu.			X

Podešavanje brzine praznog hoda

Uverite se da je filter za vazduh čist i da je poklopac filtera za vazduh pričvršćen pre podešavanja brzine praznog hoda.

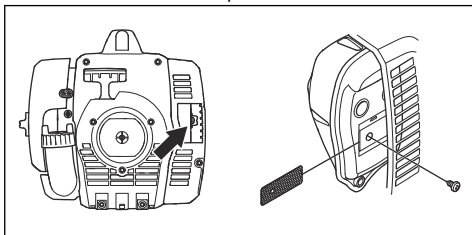
1. Okrećite zavrtnanj za podešavanje brzine praznog hoda, označen oznakom „T“ udesno sve dok priključak za košenje ne počne da se okreće.



2. Okrećite zavrtnanj za podešavanje brzine praznog hoda, označen oznakom „T“ ulevo sve dok se priključak za košenje ne zaustavi.
3. Brzina praznog hoda treba da bude manja od brzine pri okretanju priključka za košenje. Brzina praznog hoda je ispravna kada motor ravnomerno radi u svim položajima.

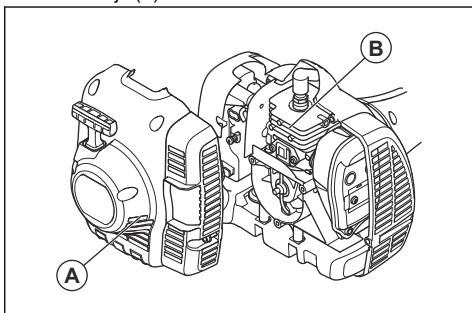
Održavanje hvatača varnica

- Očistite hvatač varnica pomoću žičane četke.



Čišćenje sistema za hlađenje

- Četkom očistite usis vazduha (A) na starteru i kralica za hlađenje (B) na cilindru.



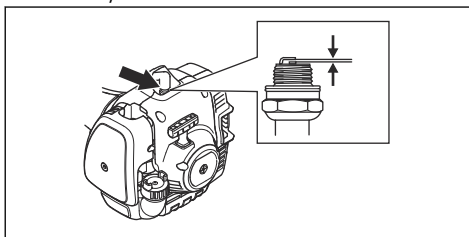
Pregled svećice



OPREZ: Koristite preporučenu svećicu. Pobrinite se da je zamenjena svećica istog tipa kao ona isporučena od proizvođača. Neodgovarajuća svećica može izazvati

oštećenje proizvoda. Postarajte se da svećica ima prigušivač. Obratite se serviseru za više informacija.

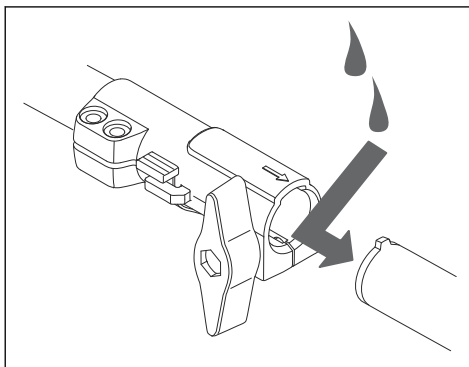
1. Pregledajte svećicu kada:
 - a) motor ima malu snagu.
 - b) motor se teško pokreće.
 - c) motor ne radi ispravno u brzini praznog hoda.
2. Ako se motor teško pokreće ili radi sa poteškoćama, pregledajte da li na svećici postoje neželjeni materijali. Da biste smanjili rizik od gomilanja neželjenog materijala na elektrodama svećice:
 - a) uverite se da je brzina praznog hoda pravilno podešena.
 - b) uverite se da je mešavina goriva ispravna.
 - c) uverite se da je filter za vazduh čist.
3. Očistite svećicu ako je zaprljana. Uverite se da je zazor između elektroda odgovarajući. Pogledajte *Tehnički podaci na stranici 493.*



4. Zamenite svećicu po potrebi.

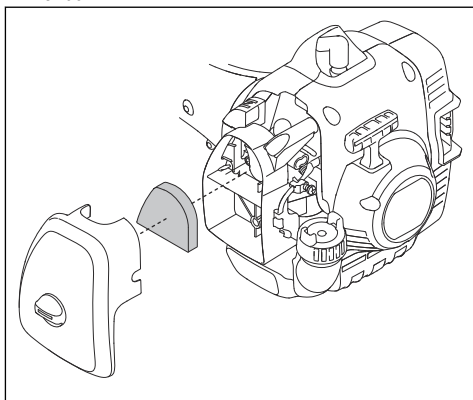
Nanošenje maziva na dvodelnu osovinu

- Nanesite mazivo na kraj pogonskog vratila nakon svakih 30 sati rada.



Čišćenje filtera za vazduh

1. Skinite poklopac filtera za vazduh i uklonite filter za vazduh.



2. Očistite filter za vazduh toplom sapunjavom vodom. Uverite se da je filter za vazduh suv pre nego što ga ponovo postavite.
3. Zamenite filter za vazduh ako je previše zaprljan i ne može se propisno očistiti. Uvek zamenite oštećeni filter za vazduh.
4. Ako proizvod ima penasti filter za vazduh, nanesite ulje za filter za vazduh. Nanesite ulje za filter za vazduh samo na penasti filter. Nemojte nanositi ulje na filcani filter.

Nanošenje ulja na filter za vazduh

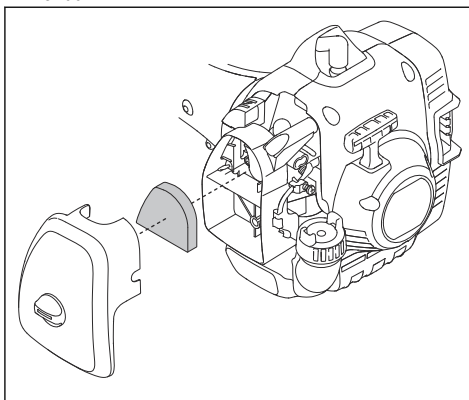


OPREZ: Uvek koristite specijalno ulje za filter za vazduh na penastim filterima za vazduh. Nemojte koristiti druge tipove ulja.

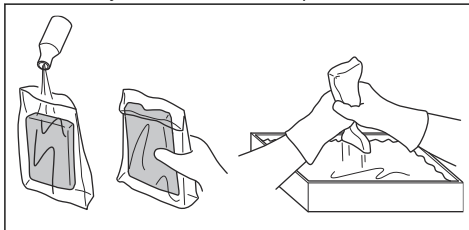


UPOZORENJE: Vodite računa da vam ulje ne dospe na telo.

1. Skinite poklopac filtera za vazduh i uklonite filter za vazduh.



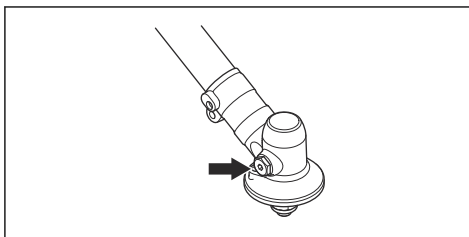
2. Stavite filter za vazduh u plastičnu kesicu.
3. Stavite ulje za filter za vazduh u plastičnu kesicu.



4. Pritisnite plastičnu kesicu kako biste osigurali da se ulje ravnomerno raspodeli preko filtera za vazduh.
5. Pritisnite filter za vazduh, dok je u kesici, kako biste uklonili nepotrebno ulje za filter za vazduh. Izvadite filter za vazduh iz kesice.
6. Postavite filter za vazduh.

Nanošenje maziva u menjač ugla

- Uverite se da je menjač ugla napunjen mazivom u količini od $\frac{3}{4}$.



Rešavanje problema

Motor ne može da se pokrene

Provera	Mogući uzrok	Postupak
Startne kopče.	Startne kopče ne mogu da se slobodno kreću.	Uklonite poklopac startera i očistite oblast oko startnih kopči.
		Neka vam ovlašćeni serviser pomogne.
Rezervoar za gorivo.	Neispravni tip goriva.	Ispraznite rezervoar za gorivo i dopunite ispravnim gorivom.
Svećica.	Svećica je zaprljana ili vlažna.	Postarajte se da svećica bude suva i čista.
	Zazor između elektroda svećice nije odgovarajući.	Očistite svećicu. Uverite se da je zazor između elektroda odgovarajući. Postarajte se da svećica ima prigušivač.
		Tačan zazor elektroda pogledajte u poglavlju <i>Tehnički podaci na stranici 493.</i>
	Svećica je labava.	Zategnite svećicu.

Motor se pokreće, ali se opet zaustavlja

Provera	Mogući uzrok	Postupak
Rezervoar za gorivo	Neispravni tip goriva.	Ispraznite rezervoar za gorivo i dopunite ispravnim gorivom.
Filter za vazduh	Filter za vazduh je začepljen.	Očistite filter za vazduh.

Transport i skladištenje

- Uvek sačekajte da se proizvod ohladi pre nego što ga uskladištite.
- Uverite se da pri skladištenju i transportu proizvoda i goriva nema isparavanja i curenja iz proizvoda. Varnice i otvoren plamen, na primer iz električnih uređaja i bojlera, može da zapali požar.
- Uvek koristite odobrene kanistere za čuvanje i transport goriva.
- Ispraznite rezervoar za gorivo pre transporta ili dugotrajnog skladištenja. Gorivo odbacujte na odgovarajućoj lokaciji za odbacivanje.
- Pričvrstite zaštitu za transportovanje tokom transporta i skladištenja.
- Skinite kapicu sa svećice.
- Pričvrstite proizvod tokom transporta. Uverite se da proizvod ne može da se pomera.
- Očistite i servisirajte proizvod pre dugotrajnog skladištenja.

Tehnički podaci

Tehnički podaci

	122C	122LK
Motor		
Zapremina cilindra, cm ³	21,7	21,7
Brzina praznog hoda, o/min	2900	2900
Preporučena maksimalna brzina, o/min	7200	9100
Brzina izlazne osovine, o/min	7200	6232
Snaga / Maks. izlazna snaga motora, prema ISO 8893, kW/hp na o/min	0,6/0,8 na 7800	0,6/0,8 na 7800
Prigušivač sa katalizatorom	Da	Da
Sistem paljenja regulisan brzinom	Ne	Ne
Sistem paljenja		
Svećica	HQT-4 672201	HQT-4 672201
Zazor elektroda, mm	0,5	0,5
Sistem za gorivo		
Kapacitet rezervoara za gorivo, l/cm ³	0,3/300	0,3/300
Težina		
Težina, bez goriva, uređaja za rezanje i zaštite, kg	4,4	4,8
Emisija buke ⁷³		
Nivo zvučne snage, mereno, dB (A)	102	104
Nivo zvučne snage, garantovano (L _{WA}), dB (A)	104	108
Nivoi buke ⁷⁴		
Ekvivalent nivoa buke kod uha rukovaoca, izmereno prema EN ISO 11806 i ISO 22868, dB(A):	88	90
Nivoi vibracije ⁷⁵		
Ekvivalentni nivo vibracije (a _{nv, eq}) opremljeno trimi glavom, leva ručica, m/s ²	5,0	3,6

⁷³ Emisije buke u životnoj sredini merene kao zvučna snaga (L_{WA}) u skladu sa direktivom 2000/14/ EZ. Izveštajni nivo zvučne snage za proizvod meren je sa originalnim priključkom za košenje koji daje najviši nivo. Razlika između garantovanog i izmerenog nivoa zvučne snage je da garantovana zvučna snaga takođe obuhvata raspršenje rezultata merenja i razlike između različitih proizvoda istog modela u skladu sa Direktivom 2000/14/EZ.

⁷⁴ Prijavljeni podaci za ekvivalentni nivo zvučnog pritiska za proizvod uključuju tipično statističko raspršenje (standardno odstupanje) od 1 dB (A).

⁷⁵ Podaci iz izveštaja za ekvivalentni nivo vibracija imaju tipičnu statističku disperziju (standardno odstupanje) od 1 m/s².

	122C	122LK
Ekvivalentni nivo vibracije ($a_{hv, eq}$) opremljeno trimi glavom, desna ručica, m/s^2	3,6	3,5

Oprema

Dodaci

122C		
Odobrena oprema	Tip	Štitnik priključka za rezanje
Osovina sa navojem	3/8 R	–
Trimi glava	T25 (nit Ø 2,0–2,4 mm)	574 47 95-01
	T25C (nit Ø 2,0–2,7 mm)	
	R25 (nit Ø 2,0–2,4 mm)	
122LK		
Odobrena oprema	Tip	Štitnik priključka za rezanje
Osovina sa navojem	M10	–
Trimi glava	T25 (nit Ø 2,0–2,4 mm)	574 19 87-01
	R25 (nit Ø 2,0–2,4 mm)	

Sledeći dodaci preporučuju se za navedene modele.

Odobreni dodaci	Tip	Koristite uz
Dodatak za čišćenje	SR600-2	122LK
Dodatak za trimer za ograde	HA200	122LK
Dodatak za trimer za ograde	HA860	122LK
Dodatak za ivičar	ECA850, ESA860	122LK
Dodatak za testeru	PA1100	122LK
Dodatak za nastavak	EX780	122LK
Dodatak za kultivator	CA230	122LK
Dodatak za duvač	BA101	122LK
Dodatak za grubu četku	BR600	122LK
Dodatak za ditačer	DT600	122LK

Deklaracija o usaglašenosti

EU deklaracija o usaglašenosti

Mi, Husqvarna AB, SE-561 82 Huskvarna, Švedska, tel:
+46-36-146500, izjavljujemo pod punom odgovornošću
da je proizvod:

Opis	Benzinski trimmer za travu / rezač žbunja
Marka	Husqvarna
Tip/model	122C, 122LK
Identifikacija	Serijski broj od 2022 i nadalje

su u potpunosti usaglašeni sa sledećim EU direktivama i
propisima:

Propis	Opis
2006/42/EC	„koji se odnose na mašine“
2014/30/EU	„koji se odnose na elektromagnetsku kompatibilnost“
2000/14/EC	„koji se odnose na buku u otvorenom prostoru“
2011/65/EU	„koji se odnose na ograničenje upotrebe određenih opasnih supstanci“

Primenjeni su sledeći standardi:

EN ISO 12100:2010, EN ISO 11806-1:2011, ISO
14982:1998, CISPR 12:2007+A1:2009, EN IEC
63000:2018

RISE SMP Svensk Maskinprovning AB, Box 7035,
SE-750 07 Uppsala, Sweden, je izvršio volonterski
pregled u ime kompanije Husqvarna AB.

Sertifikati nose broj: 122C - SEC/10/2271, 122LK -
SEC/10/2272

RISE SMP Svensk Maskinprovning AB, takođe je
potvrdio slaganje sa dodatkom V Direktive Veća
2000/14/EG.

Sertifikati nose broj: 122C - 01/164/068, 122LK -
01/164/067.

Huskvarna 2022-05-13



Claes Losdal, menadžer razvoja, Husqvarna AB

Odgovoran za tehničku dokumentaciju



Innehåll

Introduktion.....	496	Felsökning.....	510
Säkerhet.....	498	Transport och förvaring.....	511
Montering.....	502	Tekniska data.....	511
Drift.....	504	Tillbehör.....	512
Underhåll.....	507	Försäkran om överensstämmelse.....	514

Introduktion

Produktbeskrivning

Produkten är en grässtrimmer med förbränningsmotor.

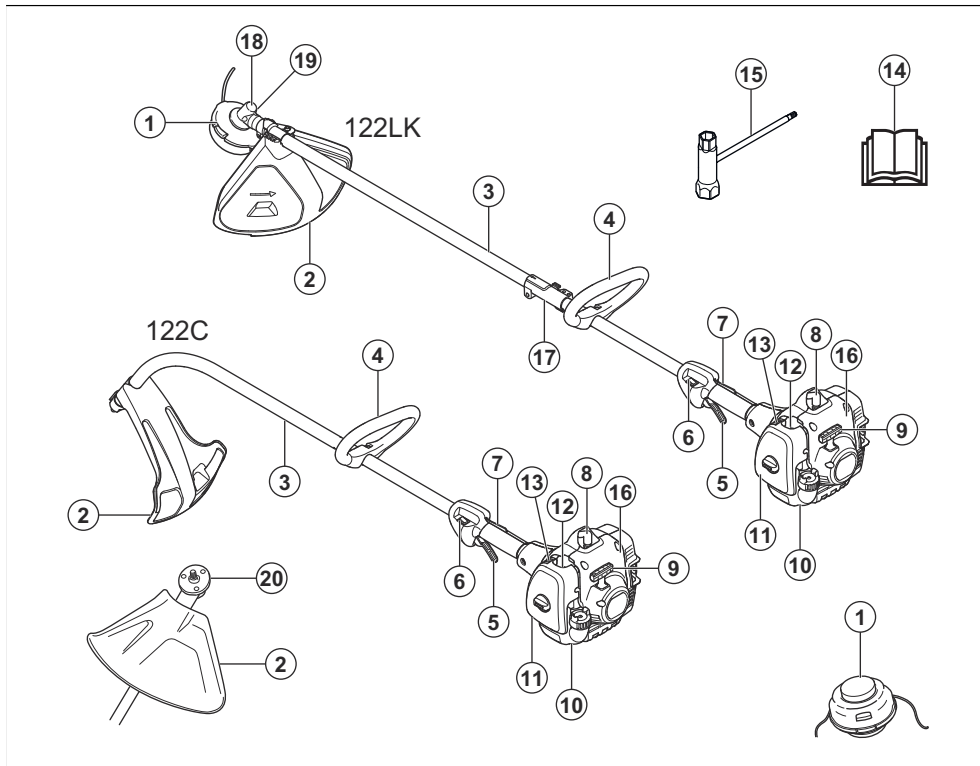
Arbetet med att öka din säkerhet och effektivitet under användning pågår ständigt. Prata med en serviceverkstad för mer information.

Avsedd användning

Produkten används med ett trimmerhuvud för att klippa gräs. Använd inte produkten till andra uppgifter än grässtrimming och gräsröjning.

Notera: Nationella regler kan begränsa användningen av produkten.

Produktöversikt



1. Trimmerhuvud
2. Trimmerhuvudets skydd
3. Rigrör
4. Loophandtag
5. Gasreglage
6. Stoppkontakt
7. Dödmansgrepp
8. Tändhatt och tändstift
9. Startsnörets handtag
10. Bränsletank
11. Luftfilterlock
12. Bränslepumpblåsa
13. Chokereglage
14. Bruksanvisning
15. Kombinyckel
16. Startapparatus
17. Rigrörskoppling
18. Vinkelväxel
19. Påfyllning av smörjmedel, vinkelväxel
20. Medbringare

Symboler på produkten



WARNING! Denna produkt är farlig. Skador eller dödsfall kan inträffa för användaren eller människor runt omkring om produkten inte används försiktigt och korrekt. För att förhindra att användaren eller människor runt omkring skadas ska du läsa och följa alla säkerhetsinstruktioner i bruksanvisningen.



Läs igenom bruksanvisningen noggrant och se till att du förstår instruktionerna innan användning.



Använd skyddshjälm på platser där föremål kan falla ner. Använd godkända hörselskydd. Använd godkänt ögonskydd.



Maximalt varvtal för utgående axel.



Produkten överensstämmer med gällande EG-direktiv.



Produkten kan göra att föremål slungas ut, vilket kan orsaka skador.



Håll ett avstånd på minst 15 m till personer och djur vid användning av produkten.



Använd godkända skyddshandskar.



Använd kraftiga halksäkra kängor.



Använd endast flexibel skärtråd. Använd inte skärutrustning av metall.



Miljömärkning för bulleremission enligt direktiv och bestämmelser för EU och Storbritannien samt New South Wales-lagen "Protection of the Environment Operations (Noise Control) Regulation 2017". Produktens garanterade ljudeffektivnivå anges i *Tekniska data på sida 511* och på etiketten.



Bränslepumpblåsa.



Choke.



Denna produkt överensstämmer med gällande brittiska direktiv.

yyyywwxxxx

Typskylten visar serienumret. **yyyy** är produktionsåret och **ww** är produktionsveckan.

Notera: Övriga symboler/dekaler på produkten avser specifika krav för certifieringar på andra kommersiella marknader.

Euro V-utsläpp



WARNING: Manipulering av motorn upphäver EG-typgodkännandet för den här produkten.

Kundtjänst

Ring kundtjänst på: 1-800-487-5951 eller gå till www.husqvarna.com.

Produktansvar

Enligt lagstiftningen för produktansvar ansvarar vi inte för skador som vår produkt orsakar om:

- produkten repareras felaktigt
- produkten repareras med delar som inte kommer från tillverkaren eller inte har godkänts av tillverkaren
- produkten har ett tillbehör som inte kommer från tillverkaren eller inte har godkänts av tillverkaren
- produkten inte repareras vid ett godkänt servicecenter eller av en godkänd person.

Säkerhet

Säkerhetsdefinitioner

Varningar, försiktighetsåtgärder och anmärkningar används för att betona speciellt viktiga delar i bruksanvisningen.



WARNING: Används om det finns risk för skador eller dödsfall för användaren eller kringstående om anvisningarna i bruksanvisningen inte följs.



OBSERVERA: Används om det finns risk för skada på produkten, annat material eller det angränsande området om anvisningarna i bruksanvisningen inte följs.

Notera: Används för att ge mer information som är nödvändig i en viss situation.

Allmänna säkerhetsanvisningar



WARNING: Läs varningsinstruktionerna nedan innan du använder produkten.

- Använd produkten på rätt sätt. Skador eller dödsfall är ett möjligt resultat av felaktig användning. Använd endast produkten för arbetsuppgifterna som finns i denna bruksanvisning. Använd inte produkten till andra uppgifter.
 - Följ instruktionerna i denna bruksanvisning. Följ säkerhetssymbolerna och säkerhetsinstruktionerna. Om användaren inte följer instruktionerna och symbolerna är skador eller dödsfall ett möjligt resultat.
 - Spara den här bruksanvisningen. Använd instruktionerna för att sätta ihop, använda och förvara din produkt i gott skick. Använd instruktionerna för korrekt installation av tillbehör och extrautrustning. Använd endast godkända tillbehör och extrautrustning.
 - Använd inte en skadad produkt. Följ underhållsschemat. Utför endast det underhållsarbete som du hittar instruktioner om i den här bruksanvisningen. Godkända servicecenter måste göra allt annat underhållsarbete.
- Den här bruksanvisningen kan inte inkludera alla situationer som kan uppstå när du använder produkten. Var försiktig och använd sunt förnuft. Använd inte produkten eller utför underhåll på produkten om du inte är trygg med situationen. Tala med en produktexpert, din återförsäljare, din serviceverkstad eller ett godkänt servicecenter för att få information.
 - Koppla ur tändstiftskabeln innan du monterar produkten, ställer undan produkten för förvaring eller utför underhåll.
 - Använd inte produkten om den ändras från dess första specifikation. Byt inte ut en del av produkten utan tillverkarens godkännande. Använd endast delar som är godkända av tillverkaren. Skador eller dödsfall är ett möjligt resultat av felaktigt underhåll.
 - Undvik att andas in rök från motorn. Långvarig inandning av motorns avgaser utgör en hälsorisk.
 - Starta inte produkten inomhus eller nära brandfarligt material. Avgaserna är heta och kan medföra gnistor som kan orsaka brand. Otillräckligt luftflöde kan orsaka skador eller dödsfall på grund av kvävning eller kolmonoxidförgiftning.
 - När du använder denna produkt skapar motorn ett elektromagnetiskt fält. Det elektromagnetiska fältet kan orsaka skador på medicinska implantat. Tala med din läkare och tillverkaren av eventuella medicinska implantat innan du använder produkten.
 - Låt inte barn använda produkten. Låt inte personer utan kännedom om instruktionerna använda produkten.
 - Se till att du alltid övervakar en person med nedsatt fysisk eller mental kapacitet som använder produkten. En vuxen person måste vara närvarande hela tiden.
 - Läs in produkten på en plats där barn och obehöriga personer inte har åtkomst.
 - Produkten kan skjuta ut föremål och orsaka skador. Följ säkerhetsinstruktionerna för att minska risken för personskador eller dödsfall.
 - Lämna inte produkten när motorn är på.
 - Användaren av produkten är ansvarig om en olycka inträffar.
 - Kontrollera att delarna inte är skadade innan du använder produkten.
 - Se till att du står minst 15 m från andra personer eller djur innan du använder produkten. Se till att

personer i närheten vet att du kommer att använda produkten.

- Följ nationella eller lokala lagar. De kan förhindra eller minska produktens funktion under vissa förhållanden.
- Använd inte produkten om du är trött eller om du är påverkad av alkohol, droger eller läkemedel. Din syn, ditt omdöme eller kroppskontroll kan ha påverkats.

Säkerhetsinstruktioner för montering



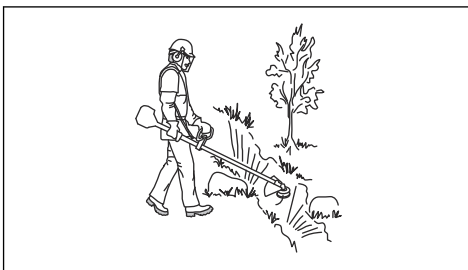
VARNING: Läs varningsinstruktionerna nedan innan du använder produkten.

- Avlägsna tändhatten från tändstiftet innan du monterar produkten.
- Använd godkända skyddshandskar.
- Se till att du har monterat kåpan och riggröret korrekt innan du startar motorn.

Säkerhetsinstruktioner för drift

- Kontrollera att produkten är helt monterad innan du använder den.
- Innan du startar bör du flytta produkten 3 m från den plats där du fyllde på bränsletanken. Placera produkten på en plan yta. Se till att skärutrustningen inte vidrör marken eller andra föremål.
- Produkten kan orsaka att föremål skjuts ut, vilket kan orsaka skador på ögonen. Använd alltid godkänt ögonskydd när du använder produkten.
- Var försiktig, ett barn kan närma sig produkten utan din vetskap under användningen.
- Använd inte produkten om det finns personer i arbetsområdet. Stoppa produkten om en person går in i arbetsområdet.
- Se till att du alltid har kontroll över produkten.
- Använd inte produkten om du inte kan få hjälp om en olycka inträffar. Se alltid till att andra vet att du kommer att använda produkten innan du börjar använda produkten.
- Vänd dig inte om med produkten innan du kontrollerat att inga människor eller djur finns i säkerhetsområdet.
- Ta bort allt oönskat material från arbetsområdet innan du börjar. Om skärutrustningen träffar ett objekt kan objektet skjutas ut och orsaka personskada eller skador. Oönskat material kan lindas runt skärutrustningen och orsaka skador.
- Använd inte produkten i dåligt väder (dimma, regn, hård vind, risk för blixtnedslag eller andra väderförhållanden). Färliga situationer (t.ex. hala ytor) kan uppstå på grund av dåligt väder.

- Se till att du kan röra dig fritt och arbeta i en stabil position.



- Se till att du inte kan falla när du använder produkten. Luta dig inte när du använder produkten.
- Håll alltid produkten med båda händerna. Håll produkten på höger sida av kroppen.



- Använda produkten med skärutrustningen under midjehöjd.
- Om chokereglaget är i chokeläge när motorn startar börjar skärutrustningen rotera.
- Rör inte vid vinkelväxeln när motorn stannat. Vinkelväxeln är varm efter det att motorn stannat. Heta ytor kan orsaka skador.
- Stanna motorn innan du flyttar produkten.
- Lägg inte ned produkten om motorn är på.
- Innan du tar bort oönskat material från produkten måste du stänga av motorn och vänta tills skärutrustningen stannar. Låt skärutrustningen stanna innan du avlägsnar skärmaterialet.

Personlig skyddsutrustning



VARNING: Läs varningsinstruktionerna nedan innan du använder produkten.

- Använd alltid godkänd personlig skyddsutrustning när du använder produkten. Personlig skyddsutrustning kan inte eliminera skaderisken helt, men den reducerar effekten av en skada vid ett eventuellt olyckstillbud. Be din återförsäljare om hjälp med att välja rätt utrustning.
- Använd skyddshjälm där det finns risk för fallande föremål.

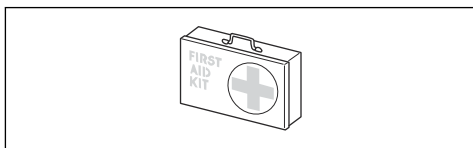
- Använd godkända hörselskydd med tillräcklig dämpeffekt. Långvarig exponering för buller kan ge bestående hörselskador.
- Använd godkänt ögonskydd. Används visir måste även godkända skyddsglasögon användas. Godkända skyddsglasögon måste uppfylla standarden ANSI Z87.1 i USA och SS-EN 166 i EU-länder.
- Använd visir för ansiktsskydd. Ett visir ger inte ett fullgott skydd för ögonen.



- Använd handskar vid behov, till exempel när du ansluter, undersöker eller rengör skärutrustningen.
- Använd halkfria och stadiga stövlar.
- Ha på dig kläder i slitstarkt material. Bär alltid kraftiga långbyxor och överdel med långa ärmar. Använd inte löst sittande kläder som kan fastna i kvistar och grenar. Bär inte smycken, kortbyxor eller sandaler och gå inte barfota. Sätt upp håret ordentligt så att det inte hänger nedanför axlarna.



- Ha första förband nära till hands.



Säkerhetsanordningar på produkten

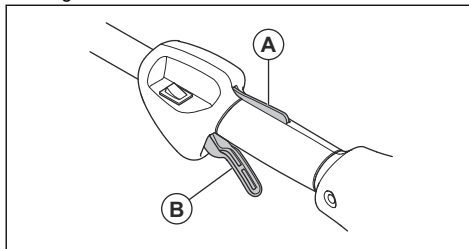


VARNING: Läs varningsinstruktionerna nedan innan du använder produkten.

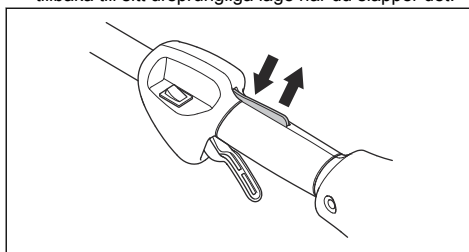
- Använd inte en produkt med defekta säkerhetsanordningar.
- Kontrollera säkerhetsanordningarna regelbundet. Se *Underhållsschema på sida 508*.
- Om säkerhetsanordningarna är defekta ska du prata med en Husqvarna-serviceverkstad.

Kontrollera dödmsgreppet

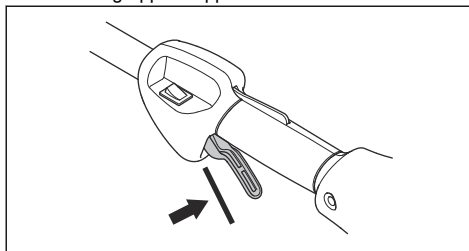
1. Kontrollera att dödmsgreppet (A) och gasreglaget (B) går lätt samt att deras returjädersystem fungerar.



2. Tryck ner dödmsgreppet och se till att det går tillbaka till sitt ursprungliga läge när du släpper det.



3. Se till att gasreglaget är låst i tomgångsläge när dödmsgreppet släpps.



4. Starta produkten och ge fullgas.
5. Släpp gasreglaget och se till att knivarna stannar och förblir stilla.

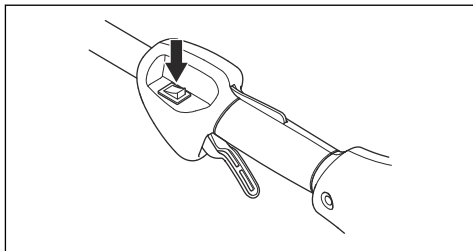


VARNING: Om knivarna rör sig med gasreglaget i tomgångsläge ska förgasarens tomgång justeras. Se *Så justerar du tomgångsvarvtalet på sida 508*.

Kontrollera stoppkontakten

1. Starta motorn.

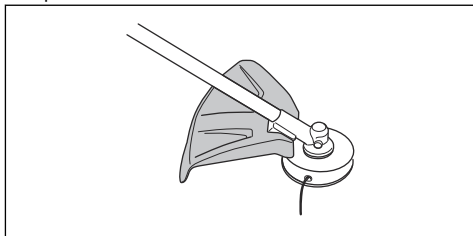
2. Flytta stoppkontakten till stoppläget och se till att motorn stannar.



Kontrollera skärutrustningens skydd

Skärutrustningens skydd stoppar föremål som slungas ut mot användaren. Det förhindrar även skador som skulle inträffa om du vidrör skärutrustningen.

1. Stoppa motorn.
2. Kontrollera visuellt om det finns skador, till exempel sprickor.



3. Byt ut skärutrustningen om den är skadad.

Ljuddämpare

- Använd inte en motor med defekt ljuddämpare. En defekt ljuddämpare ökar ljudnivån och brandrisken. Ha en brandsläckare i närheten.
- Kontrollera regelbundet att ljuddämparen sitter fast på produkten.
- Rör inte motorn eller ljuddämparen när motorn är på. Rör inte motorn eller ljuddämparen förrän en stund efter att motorn stannat. Heta ytor kan orsaka skador.
- En varm ljuddämpare kan orsaka brand. Var försiktig om du använder produkten nära brandfarliga vätskor eller ångor.
- Rör inte ljuddämparens delar om ljuddämparen är skadad. Delarna kan innehålla vissa cancerframkallande kemikalier.

Skärutrustning



VARNING: Läs varningsinstruktionerna nedan innan du använder produkten.

- Utför regelbundet underhåll. Låt ett godkänt servicecenter regelbundet undersöka

skärutrustningen för att göra justeringar eller reparationer.

- Skärutrustningens prestanda ökar.
- Skärutrustningens livslängd ökar.
- Risken för olyckor minskar.
- Använd endast ett godkänt skydd till skärutrustningen. Se *Tillbehör på sida 512*.
- Använd inte en skadad skärutrustning.

Bränslesäkerhet



VARNING: Läs varningsinstruktionerna nedan innan du använder produkten.

- Blanda inte bränsle inomhus eller nära en värmekälla.
- Starta inte produkten om det finns bränsle eller motorolja på produkten. Ta bort det oönskade bränslet/oljan och låt produkten torka. Ta bort oönskat bränsle från produkten.
- Om du spillt bränsle på kläderna skall dessa bytas omedelbart.
- Se till att inte få bränsle på kroppen, det kan orsaka personskador. Om du får bränsle på kroppen använder du tvål och vatten för att ta bort bränslet.
- Starta inte motorn om du spiller olja eller bränsle på produkten eller på kroppen.
- Starta inte produkten om motorn har en läcka. Undersök regelbundet om motorn läcker.
- Var försiktig med bränsle. Bränsle är brandfarligt och ångorna är explosiva och kan orsaka skador eller dödsfall.
- Undvik att andas in bränsleångor då det kan orsaka personskador. Se till att det finns tillräckligt luftflöde.
- Rök inte i närheten av bränslet eller motorn.
- Placera inga varma föremål i närheten av bränslet eller motorn.
- Fyll inte på bränsle när motorn är på.
- Se till att motorn har svalnat innan du fyller på bränsle.
- Innan du fyller på bränsle bör du öppna bränsletanklocket långsamt och försiktigt släppa på trycket.
- Se till att det finns tillräckligt luftflöde vid tankning och blandning av bränsle (bensin och tvåtaktsolja) eller tömning av bränsletanken.
- Bränsle och bränsleångor är mycket brandfarliga och kan orsaka allvarliga skador vid inandning och hudexponering. Var därför försiktig vid hantering av bränsle och se till att det finns tillräckligt luftflöde vid bränslehantering.
- Dra åt tanklocket försiktigt, annars kan brand uppstå.
- Flytta produkten minst 3 m från den plats där du fyllde på tanken innan du startar den.
- Fyll inte på med för mycket bränsle i bränsletanken.

- Kontrollera att läckage inte kan uppstå när du flyttar produkten eller bränslebehållaren.
- Placera inte produkten eller bränslebehållaren där det finns öppen eld, gnistor eller tändlagor. Se till att det inte finns någon öppen eld i förvaringsutrymmet.
- Använd endast godkända behållare när du flyttar bränslet eller ställer undan bränslet för förvaring.
- Töm bränsletanken före långtidsförvaring. Följ lokala lagar om var du kan kasta bränsle.
- Rengör produkten före långtidsförvaring.
- Ta bort tändhatten innan du ställer undan produkten för förvaring så att motorn inte oavsiktligt startar.

- Motoravgaserna är heta och kan medföra gnistor. Kör inte produkten inomhus eller nära brandfarligt material.
- Tillbehör och ändringar av produkten som inte godkänts av tillverkaren kan orsaka allvarliga skador eller dödsfall. Modifiera inte produkten. Använd alltid originaltillbehör.
- Om underhåll inte utförs korrekt och regelbundet ökar risken för personskador och skador på produkten.
- Utför endast det underhåll som anges i den här bruksanvisningen. Låt en godkänd Husqvarna-serviceverkstad utföra all annan service.
- Låt en godkänd Husqvarna-serviceverkstad utföra service på produkten regelbundet.
- Byt ut skadade, slitna och trasiga delar.
- Se skärutrustningens anvisningar för hur du installerar trimmertråden och väljer rätt diameter på trimmertråden.
- Håll klingans skärtänder väl och korrekt skärpta. Följ våra rekommendationer. Se även instruktionerna på knivförpackningen.

Säkerhetsinstruktioner för underhåll



VARNING: Läs varningsinstruktionerna nedan innan du använder produkten.

- Stäng av motorn, se till att skärutrustningen stannar och låt produkten svalna innan du utför underhåll.
- Koppla ifrån tändhatten innan du utför underhåll.
- Motorns avgaser innehåller kolmonoxid, en luktlös, giftig och mycket farlig gas som kan orsaka dödsfall. Kör inte produkten inomhus eller i slutna utrymmen.

Montering

Introduktion



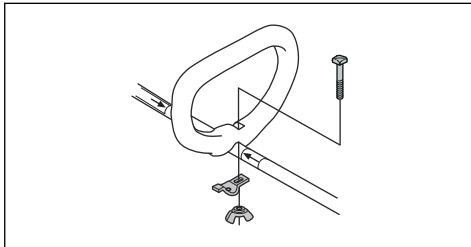
VARNING: Innan du monterar produkten måste du läsa igenom och förstå kapitlet om säkerhet.



VARNING: Avlägsna tändstiftskabeln från tändstiftet innan du monterar produkten.

Så sätter du fast loophandtaget

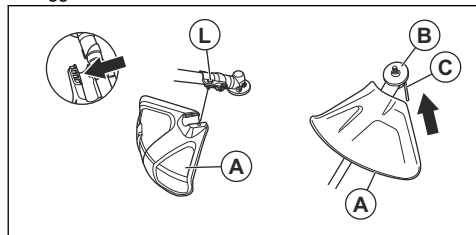
1. Sätt fast loophandtaget på riggröret enligt bilden och dra åt.



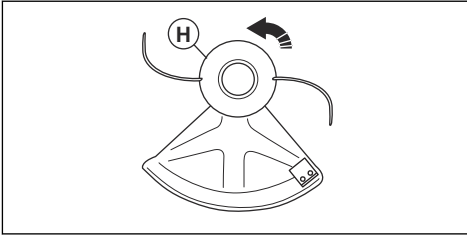
2. Se till att loophandtaget fäster mellan pilarna på riggröret.

Så sätter du fast skärutrustningsskyddet och trimmerhuvudet (rakt riggrör)

1. Fäst skärutrustningens skydd (A) på riggröret med skruven (L).
2. Fäst medbringarghjulet (B) på den utgående axeln.
3. Vrid den utgående axeln tills hålet i medbringarghjulet är mitt för hålet i växelhuset.
4. Placera en liten skruvmejsel (C) i hålet för att låsa riggröret.

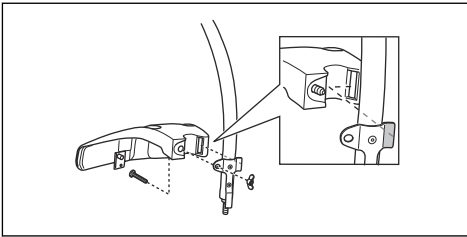


5. Vrid trimmerhuvudet (H) moturs för att dra åt trimmerhuvudet på växellådan. (Vänstergängad.)

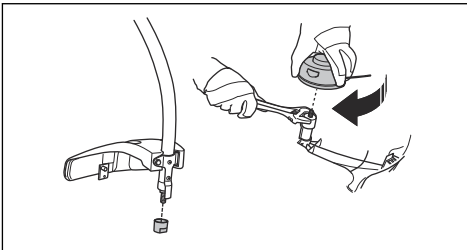


Så sätter du fast skärutrustningsskyddet och trimmerhuvudet (böjt riggrör)

1. Sätt fast skyddet. Dra åt muttern.



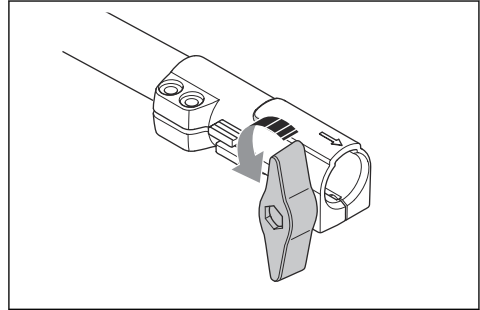
2. Sätt fast dammkoppen på axeln.



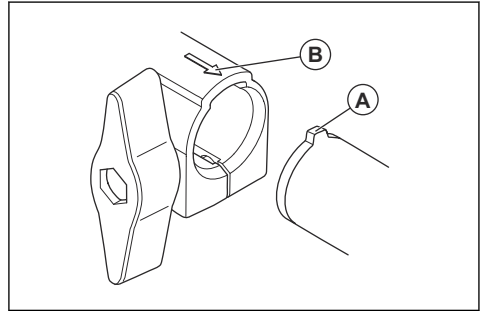
3. Håll fast dammkoppen med en justerbar skiftnyckel för att se till att riggröret inte vrider sig.
4. Sätt fast trimmerhuvudet på riggröret. Vrid trimmerhuvudet medurs.

Så monterar du det tvådelade riggröret

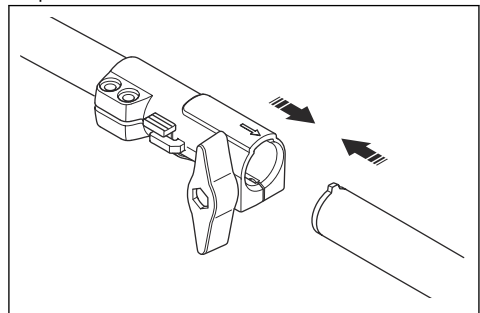
1. Vrid vredet för att lossa kopplingen.



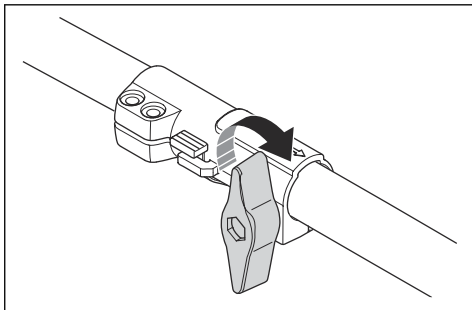
2. Passa in fliken (A) med pilen (B) på kopplingen.



3. Tryck in riggröret i kopplingen tills det klickar på plats.

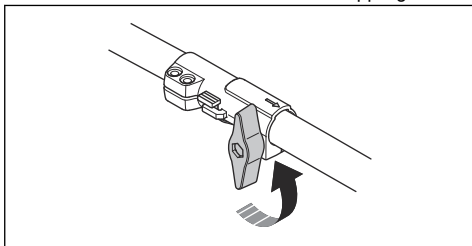


4. Dra åt vredet helt.



Så demonterar du det tvådelade riggröret

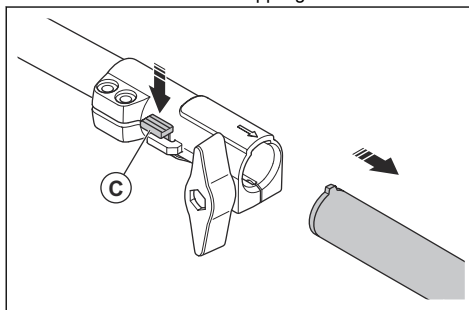
1. Vrid vredet minst 3 varv för att lossa kopplingen.



2. Tryck in och håll in knappen (C).

3. Håll hårt i änden av riggröret som motorn är ansluten till.

4. Dra tillbehöret rakt ut ur kopplingen.



Drift

Introduktion



VARNING: Innan du använder produkten måste du läsa igenom och förstå kapitlet om säkerhet.

Bränsle

Denna produkt har en tvåtaktsmotor.



OBSERVERA: Motorn kan skadas om du fyller på med fel typ av bränsle. Använd en blandning av bensen och tvåtaktsolja.

Förblandat bränsle

- Använd förblandat alkylatbränsle från Husqvarna för bästa prestanda och förlängning av motorns livslängd. Det här bränslet innehåller mindre skadliga kemikalier jämfört med vanligt bränsle, vilket minskar de skadliga avgaserna. Mängden rester som finns kvar efter förbränning är lägre med detta bränsle, vilket håller komponenterna i motorn renare.

Blanda bränsle

Bensen

- Använd blyfri bensen av bra kvalitet med högst 10 % etanolhalt.



OBSERVERA: Använd inte bensen med ett oktantal lägre än 90 RON/87 AKI. Ett lägre oktantal kan orsaka motorknackning, vilket leder till motorskador.

Tvåtaksolja

- För bästa resultat och funktion ska du använda tvåtaktsolja från Husqvarna.
- Om tvåtaktsolja från Husqvarna inte finns tillgänglig kan du använda en annan tvåtaktsolja av hög kvalitet för luftkylda motorer. Tala med en serviceverkstad för att välja rätt olja.



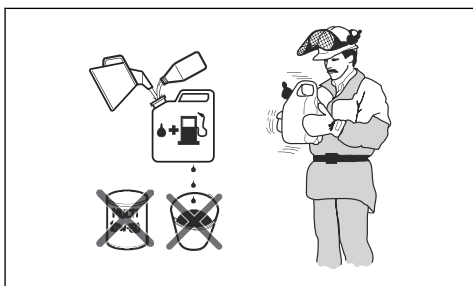
OBSERVERA: Använd inte tvåtaktsolja för vattenkylda utombordsmotorer, s.k. outboardoil. Använd inte olja avsedd för fyrtaktsmotorer.

Blanda bensin och tvåtaktsolja

Bensin, liter	Tvåtaktsolja, liter
	2 % (50:1)
5	0,10
10	0,20
15	0,30
20	0,40



OBSERVERA: Små fel kan påverka blandningsförhållandet drastiskt när du blandar små mängder bränsle. Mät noga mängden olja för att se till att du får rätt blandning.



1. Fyll halva mängden bensin i en ren behållare för bränsle.
2. Tillsätt all olja.
3. Skaka bränsleblandningen.
4. Fyll i återstående mängd bensin i behållaren.
5. Skaka omsorgsfullt bränsleblandningen.



OBSERVERA: Blanda inte bränsle för mer än en månad i taget.

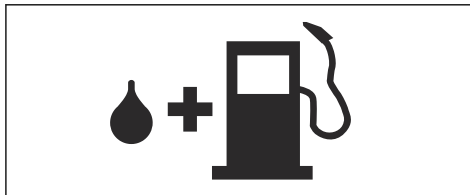
Fylla på bränsletanken



VARNING: Följ nedanstående procedur för din säkerhet.

1. Stanna motorn och vänta tills den har svalnat.

2. Torka rent runt bränsletanklocket.



3. Skaka behållaren och kontrollera att bränslet är helt blandat.
4. Ta bort tanklocket långsamt för att släppa på trycket.
5. Fyll bränsletanken.



OBSERVERA: Kontrollera att det inte finns för mycket bränsle i bränsletanken. Bränslet expanderar när det blir varmt.

6. Dra åt bränsletanklocket ordentligt.
7. Torka upp bränslespill på och runt produkten.
8. Flytta produkten minst tre meter bort från tankningsplatsen och bränsledepån innan du startar motorn.

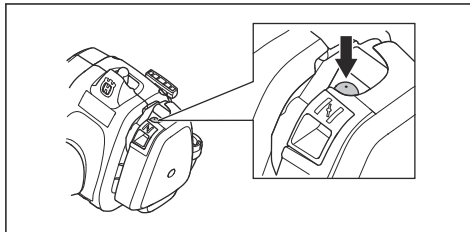
Notera: Information om var bränsletanken sitter på produkten finner du i *Produktöversikt på sida 496*.

Undersökning före start

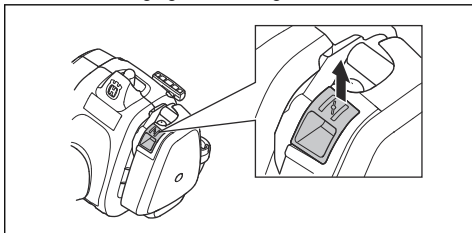
1. Se till att produkten inte har några saknade, skadade, lösa eller slitna delar.
2. Se till att muttrar, skruvar och bultar är åtdragna.
3. Se till att trimmerhuvudet inte är skadat.
4. Se till att luftfiltret inte är igensatt.
5. Kontrollera att produktens säkerhetsanordningar inte är defekta.
6. Se till att produkten inte har något bränsleläckage.

Starta kall motor

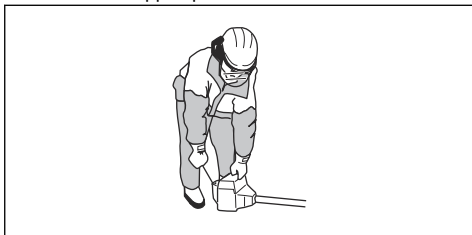
1. Tryck på bränslepumpblåsan tio gånger.



2. Ställ chokereglaget i chokeläge.



3. Håll motorkroppen på marken med vänster hand.



OBSERVERA: Kliv inte på produkten.

4. Dra långsamt i startsnörets handtag med höger hand tills du känner motstånd. Dra sedan snabbt i startsnörets handtag med kraft tills motorn startar eller försöker starta.



WARNING: Vira inte startsnöret runt handen.

5. Ställ chokereglaget i driftläge.
6. Om motorn startar trycker du lätt på gasreglaget och låter motorn gå i 60 sekunder så att den blir varm. Om motorn inte startar drar du i startsnörets handtag tills den startar. Tryck sedan lätt på gasreglaget och låt motorn gå i 60 sekunder så att den blir varm.



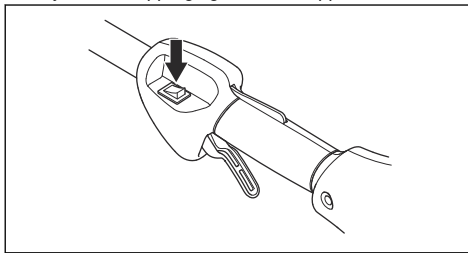
OBSERVERA: Dra inte ut startsnöret helt och släpp inte heller startsnörets handtag. Det kan orsaka skador på produkten. Släpp startsnöret långsamt.

Så startar du en varm motor

1. Tryck på bränslepumpblåsan 10 gånger.
2. Dra i startsnöret tills motorn startar.

Stänga av produkten

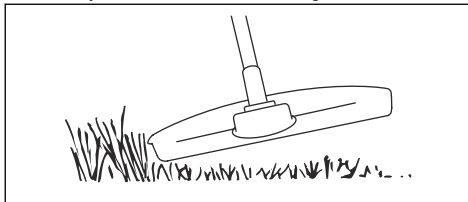
- Tryck ned stoppreglaget för att stoppa motorn.



Notera: Stoppreglaget återgår automatiskt till ursprungsläget.

Klippa gräset

1. Håll trimmerhuvudet strax ovanför marken och luta det. Tryck inte ned trimmerlinan i gräset.



2. Minska längden på trimmerlinan med 10–12 cm.
3. Minska motorns varvtal för att minska risken för skador på växter.
4. Använd 80 % gas när du klipper gräset nära föremål.



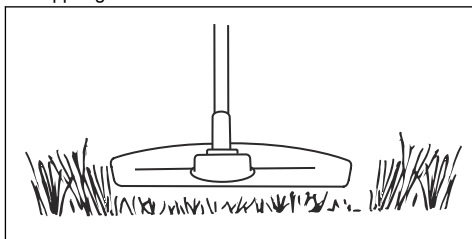
Avlägsna gräs med en gräsklinga

1. Gräsklingor och gräsknivar får ej användas till vedartade stammar.
2. För alla typer av högt eller kraftigt gräs används gräsklinga.
3. Gräs mejas ned med pendlande rörelse i sidled, där rörelse från höger till vänster är röjningsmomentet och rörelse från vänster till höger är returrörelse. Låt klingan arbeta med vänstra sidan (mellan klockan 8 och 12).

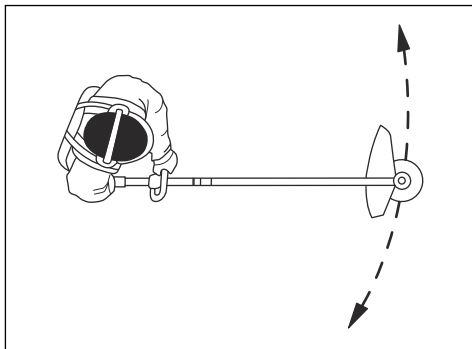
- Om klingan lutar något åt vänster vid gräsröjning samlas gräset i en sträng som underlättar uppsamling vid t ex krattnig.
- Sträva efter att arbeta rytmiskt. Stå stadigt med fötterna isär. Flytta framåt efter retrorrörelsen och ställ dig stadigt igen.
- Låt stödkoppen ligga an lätt mot marken. Den är till för att skydda klingan från markansättning.
- Minska risken för att materialet ska lindas runt klingan genom att alltid arbeta med fullgas och undvika det redan skurna materialet under retrorrörelsen.
- Stanna motorn, lossa selen och placera maskinen på marken innan du samlar ihop det skurna materialet.

Klippa gräset

- Se till att trimmerlinan är parallell med marken när du klipper gräset.



- Tryck inte ned trimmerhuvudet mot marken. Det kan orsaka skador på produkten.
- För produkten från sida till sida när du klipper gräset. Använd fullt varvtal.



Sopa gräset

Luffflödet från den roterande trimmerlinan kan användas för att ta bort klippt gräs från ett område.

- Håll trimmerhuvudet och trimmerlinan parallellt mot och ovanför marken.
- Ge fullgas.
- För trimmerhuvudet från sida till sida och sopa bort gräset.



WARNING: Rengör trimmerhuvudets kåpa varje gång du monterar ny trimmerlina för att förhindra obalans och vibrationer i handtagen. Gör även en kontroll av andra delar av trimmerhuvudet och rengör det vid behov.

Grästrimmerhuvud

- Se till att du drar åt grästrimmerlinan hårt och jämnt runt trumman för att minska vibrationerna.
- Använd endast godkända grästrimmerhuvuden och grästrimmerlinor. Se *Tillbehör på sida 512*.
- Använd rätt längd på grästrimmerlinan. En lång grästrimmerlina förbrukar mer motoreffekt än en kort grästrimmerlina.
- Se till att kniven på skärutrustningens skydd inte är skadad.
- Blötlägg grästrimmerlinan i vatten i 2 dygn innan du sätter fast grästrimmerlinan på produkten. Detta ökar grästrimmerlinans livslängd.
- Se skärutrustningens anvisningar för korrekt laddning av lina och val av rätt lindiameter.

Underhåll

Introduktion



WARNING: Innan du utför underhåll måste du läsa och förstå kapitlet om säkerhet.

För allt service- och reparationsarbete på produkten krävs särskild utbildning. Vi garanterar att du kan få en fackmannamässig reparation och service utförd. Om din återförsäljare inte är en serviceverkstad kan du tala med dem för information om närmaste serviceverkstad.

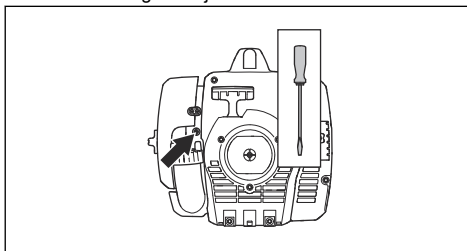
Underhållsschema

underhåll	Dagligen	Varje vecka	Varje månad
Rengör utsidan.	X		
Rengör luftfiltret. Byt ut vid behov.	X		
Kontrollera gasreglagespärrens funktion och gasreglaget.	X		
Undersök stoppkontakten.	X		
Undersök skydden.	X		
Undersök trimmerhuvudet.	X		
Undersök låsmuttern.	X		
Undersök om det förekommer bränsleläckage.	X		
Se till att gräsklingan är centrerad och vass samt att klingan och centrumhålet inte har några skador.	X		
Se till att skärutrustningen inte roterar vid tomgångsvarvtal.	X		
Applicera fett på det tvådelade riggröret.		X	
Undersök startsnörets handtag och startsnöret.		X	
Undersök vinkelväxelns fett.		X	
Rengör tändstiftet utvändigt. Ta bort tändstiftet och mät elektrodavståndet. Justera elektrodavståndet eller byt ut tändstiftet.		X	
Rengör kylsystemet.		X	
Rengör eller byt ljuddämparens gnistskydd.		X	
Rengör förgasarens utsida och området runt denna.		X	
Undersök bränslefiltret avseende smuts.			X
Undersök bränsleslangen avseende skador.			X
Undersök alla kablar och anslutningar.			X
Undersök kopplingen, kopplingsfjädrarna och kopplingstrumman avseende slitage.			X
Byt ut tändstiftet.			X

Så justerar du tomgångsvarvtalet

Se till att luftfiltret är rent och att luftfilterkåpan sitter fast innan du justerar tomgångsvarvtalet.

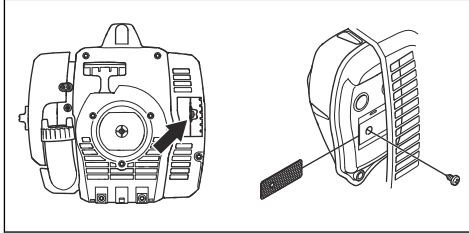
1. Vrid tomgångsskruven, märkt med ett T, medurs tills skärutrustningen börjar rotera.



2. Vrid tomgångsskruven, märkt med ett T, moturs tills skärutrustningen slutar rotera.
3. Tomgångsvarvtalet ska vara lägre än det varvtal då skärutrustningen börjar rotera. Tomgångsvarvtalet är korrekt när motorn arbetar jämnt i alla positioner.

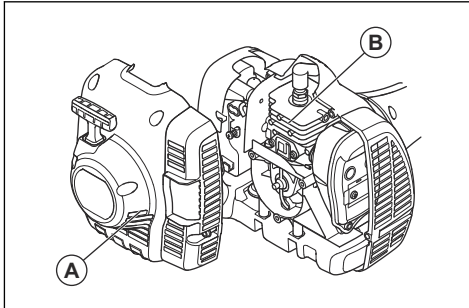
Så utför du underhåll på gnistskyddet

- Använd en stålborste för att rengöra gnistskyddet.



Så rengör du kylsystemet

- Rengör luftintaget (A) på startmotorn och kylflänsarna (B) på cylindern med en borste.



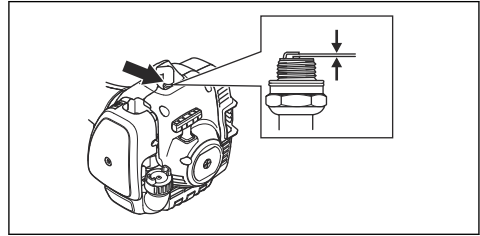
Så undersöker du tändstiftet



OBSERVERA: Använd det rekommenderade tändstiftet. Se till att det nya är likadant som tillverkarens del. Ett felaktigt tändstift kan skada produkten. Se till att tändstiftet har en dämpare. Prata med en serviceverkstad för mer information.

1. Undersök tändstiftet när:
 - a) motorn har låg effekt
 - b) motorn inte startar på en gång
 - c) motorn inte fungerar korrekt på tomgång.
2. Om motorn inte startar eller fungerar som den ska bör du genomsöka tändstiftet efter oönskat material. Om du vill minska risken för oönskat material på tändstiftets elektroder:
 - a) Se till att tomgångsvarvtalet är korrekt justerat.
 - b) Se till att bränsleblandningen är korrekt.
 - c) Se till att luftfiltret är rent.

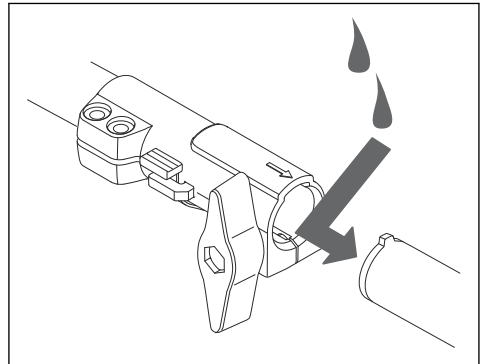
3. Rengör tändstiftet om det är smutsigt. Kontrollera att elektrodavståndet är korrekt. Se *Tekniska data på sida 511*.



4. Byt ut tändstiftet om det är nödvändigt.

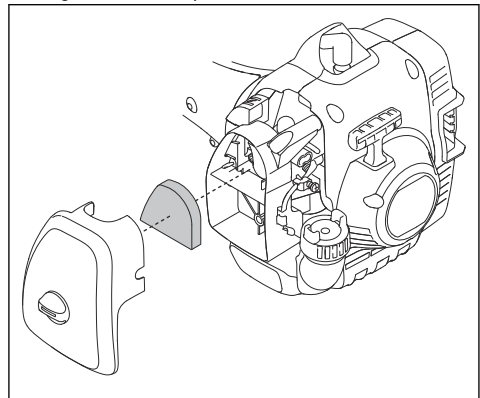
Så applicerar du fett på ett tvådelat riggrör

- Applicera fett på drivaxelns ände efter var 30:e drifttimme.



Rengöring av luftfiltret

1. Tag bort luftfilterkåpan och luftfiltret.



2. Rengör luftfiltret med hjälp av varmt tvålsvatten. Se till att luftfiltret är torrt innan du installerar det.

3. Byt ut luftfiltret om det är för smutsigt för att rengöra helt. Byt alltid ut ett skadat luftfilter.
4. Om din produkt har ett skumluftfilter tillsätter du luftfilterolja. Applicera endast luftfilterolja på ett skumfilter. Använd inte olja på ett filter av filt.

Så applicerar du luftfilterolja på luftfiltret

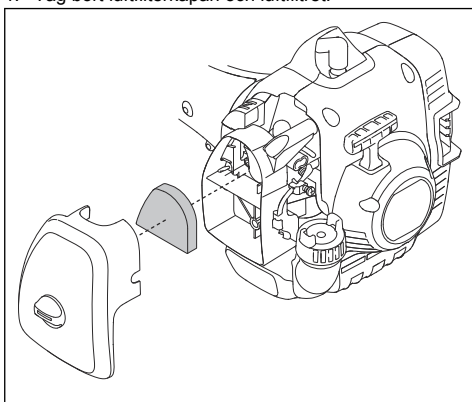


OBSERVERA: Använd alltid speciell luftfilterolja på skumluftfilter. Använd inga andra typer av olja.

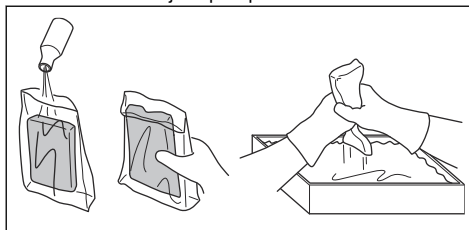


VARNING: Se till att inte få olja på kroppen.

1. Tag bort luftfilterkåpan och luftfiltret.



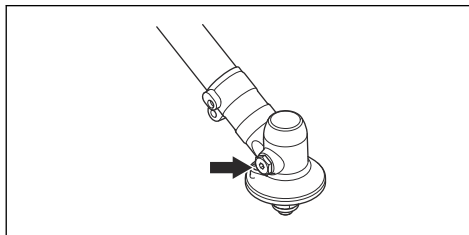
2. Lägg luftfiltret i en plastpåse.
3. Tillsätt luftfilteroljan i plastpåsen.



4. Tryck på plastpåsen för att se till att oljan fördelas jämnt på luftfiltret.
5. Tryck på luftfiltret i påsen för att ta bort överflödiga luftfilterolja. Ta ut luftfiltret ur påsen.
6. Montera luftfiltret.

Så tillsätter du fett i vinkelväxeln

- Kontrollera att vinkelväxeln är fylld till $\frac{3}{4}$ med vinkelväxelfett.



Felsökning

Maskinen startar inte

Kontrollera	Möjlig orsak	Förfarande
Starthakar.	Starthakarna kan inte röra sig fritt.	Ta bort startmotorns kåpa och rengör runt starthakarna. Ta hjälp hos en godkänd serviceverkstad.
Bränsletank.	Fel bränsle påfyllt.	Töm bränsletanken och fyll på med rätt bränsle.

Kontrollera	Möjlig orsak	Förfarande
Tändstift.	Tändstiftet är smutsigt eller vått.	Se till att tändstiftet är torrt och rent.
	Tändstiftets elektrodavstånd är felaktigt.	Rengör tändstiftet. Kontrollera att elektrodavståndet är korrekt. Se till att tändstiftet har en dämpare. Se <i>Tekniska data på sida 511</i> för korrekt elektrodavstånd.
	Tändstiftet sitter löst.	Dra åt tändstiftet.

Motorn startar men stannar igen

Kontrollera	Möjlig orsak	Förfarande
Bränsletank	Fel bränsle påfyllt.	Töm bränsletanken och fyll den med rätt bränsle.
Lufffilter	Lufffiltret är igensatt.	Rengör lufffiltret.

Transport och förvaring

- Låt alltid produkten svalna innan förvaring.
- Vid förvaring och transport av produkten och bränslet ska du se till att det inte förekommer något läckage eller avgaser. Gnistor eller öppen eld, t.ex. från elektriska apparater eller pannor, kan orsaka brand.
- Använd alltid godkända behållare för transport och förvaring av bränsle.
- Töm ut bränslet före transport och före långtidsförvaring. Kassera bränslet på lämplig anvisad plats.
- Sätt fast transportskyddet under transport och förvaring.
- Avlägsna tändhatten från tändstiftet.
- Sätt fast produkten under transport. Se till att den inte kan förflytta sig.
- Rengör och utför service på produkten innan långvarig förvaring.

Tekniska data

Tekniska data

	122C	122LK
Motor		
Cylindervolym, cm ³	21,7	21,7
Tomgångsvarvtal, varv/min	2 900	2 900
Rekommenderat högsta varvtal, varv/min	7 200	9 100
Varvtal på utgående axel, varv/min	7 200	6 232
Effekt/max. motoreffekt enligt ISO 8893, kW/hk vid varv/min	0,6/0,8 vid 7 800	0,6/0,8 vid 7 800

	122C	122LK
Katalysatorljuddämpare	Ja	Ja
Varvtalsreglerat tändsystem	Nej	Nej
Tändsystem		
Tändstift	HQT-4 672201	HQT-4 672201
Elektroddgap, mm	0,5	0,5
Bränslesystem		
Bränsletankvolym, l/cm ³	0,3/300	0,3/300
Vikt		
Vikt, utan bränsle, skärutrustning och skydd, kg	4,4	4,8
Bulleremissioner ⁷⁶		
Ljudeffektnivå, uppmätt, dB(A)	102	104
Ljudeffektnivå, garanterad (L _{WA}), dB(A)	104	108
Bulleknivåer ⁷⁷		
Ekvivalent ljudtrycksnivå vid användarens öra, uppmätt enligt SS-EN ISO 11806 och SS-EN ISO 22868, dB(A):	88	90
Vibrationsnivåer ⁷⁸		
Ekvivalent vibrationsnivå (a _{nv, eq}) utrustad med trimmerhuvud, vänster handtag, m/s ²	5,0	3,6
Ekvivalent vibrationsnivå (a _{nv, eq}) utrustad med trimmerhuvud, höger handtag, m/s ²	3,6	3,5

Tillbehör

Tillbehör

122C		
Godkända tillbehör	Typ	Trimmerhuvudets skydd
Gängad axel	3/8 R	–

⁷⁶ Emission av buller till omgivningen uppmätt som ljudeffekt (L_{WA}) enligt EG-direktiv 2000/14/EG. Rapporterad ljudeffektnivå för produkten har uppmätts med den originalskärutrustning som ger den högsta nivån. Skillnaden mellan garanterad och uppmätt ljudeffekt är att den garanterade ljudeffekten också inkluderar spridning i mätresultatet och variationen mellan olika produkter av samma modell enligt direktiv 2000/14/EG.

⁷⁷ Rapporterade data för ekvivalent ljudtrycksnivå för produkten har en typisk statistisk spridning (standardavvikelse) på 1 dB(A).

⁷⁸ Rapporterade data för ekvivalent vibrationsnivå har en typisk statistisk spridning (standardavvikelse) på 1 m/s².

Trimmerhuvud	T25 (Ø 2,0–2,4 mm tråd)	574 47 95-01
	T25C (Ø 2,0–2,7 mm tråd)	
	R25 (Ø 2,0–2,4 mm tråd)	
122LK		
Godkända tillbehör	Typ	Trimmerhuvudets skydd
Gängad axel	M10	–
Trimmerhuvud	T25 (Ø 2,0–2,4 mm tråd)	574 19 87-01
	R25 (Ø 2,0–2,4 mm tråd)	

Följande tillbehör rekommenderas för nedanstående modeller.

Godkända tillbehör	Typ	Används till
Borsttillsats	SR600-2	122LK
Trimmertillsats	HA200	122LK
Trimmertillsats	HA860	122LK
Kantskärartillsats	ECA850, ESA860	122LK
Sågfäste	PA1100	122LK
Förlängningstillsats	EX780	122LK
Kultivatortillsats	CA230	122LK
Blåsartillsats	BA101	122LK
Kraftig borste, tillbehör	BR600	122LK
Vertikalskärartillsats	DT600	122LK

Försäkran om överensstämmelse

EU-försäkran om överensstämmelse

Vi, Husqvarna AB, 561 82 Huskvarna, Sverige, tel:
+46-36-146500, försäkrar på eget ansvar att produkten:

Beskrivning	Bensindriven grästrimmer/buskröjare
Varumärke	Husqvarna
Typ/Modell	122C, 122LK
Identifiering	Serienummer daterade 2022 och framåt

uppfyller alla krav i följande EU-direktiv och förordningar:

Lagstiftning	Beskrivning
2006/42/EG	"angående maskiner"
2014/30/EU	"angående elektromagnetisk kompatibilitet"
2000/14/EG	"angående buller utomhus"
2011/65/EU	"angående begränsning av användning av vissa farliga ämnen"

Följande standarder har tillämpats:

EN ISO 12100:2010, EN ISO 11806-1:2011, ISO
14982:1998, CISPR 12:2007+A1:2009, EN IEC
63000:2018

RISE SMP Svensk Maskinprovning AB, Box 7035,
SE-750 07 Uppsala, Sweden, har utfört frivillig
typkontroll på uppdrag av Husqvarna AB.

Certifikaten har nummer: 122C - SEC/10/2271, 122LK -
SEC/10/2272

RISE SMP Svensk Maskinprovning AB, har även intygat
överensstämmelse med bilaga V till rådets direktiv
2000/14/EG.

Certifikaten har nummer: 122C - 01/164/068, 122LK -
01/164/067.

Huskvarna 2022-05-13



Claes Losdal, R&D Manager, Husqvarna AB

Ansvarig för teknisk dokumentation



İçindekiler

Giriş.....	515	Sorun giderme.....	530
Güvenlik.....	517	Taşıma ve saklama.....	530
Montaj.....	521	Teknik veriler.....	531
Çalışma.....	523	Aksesuarlar.....	532
Bakım.....	526	Uyumluluk Bildirimi.....	533

Giriş

Ürün açıklaması

Ürün, yanmalı motorlu bir çim budayıcıdır.

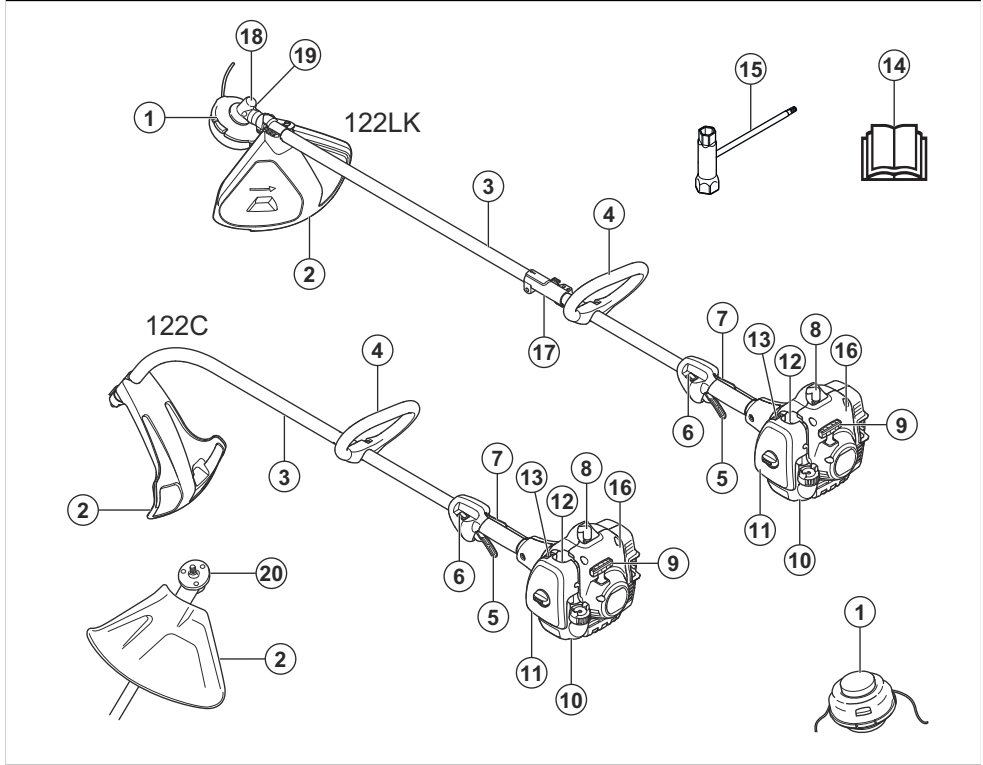
Kullanım sırasında güvenliğinizi ve verimliliği artırmak için sürekli olarak çalışmalar yapılmaktadır. Daha fazla bilgi için lütfen servis bayinizle görüşün.

Kullanım amacı

Ürün, çimleri kesmek için bir misina kafa ile birlikte kullanılır. Ürünü çim budama ve çim temizleme işleri dışında kullanmayın.

Not: Ulusal düzenlemeler ürünün kullanımını kısıtlayabilir.

Ürüne genel bakış



1. Misina kafa
2. Kesme ataşmanı siperliği
3. Mil
4. Yarım daire şeklindeki tutamak
5. Gaz tetiği
6. Durdurma anahtarı
7. Gaz tetiği kilidi
8. Buji kapağı ve buji
9. Çalıştırma ipi tutma yeri
10. Yakıt tankı
11. Hava filtresi kapağı
12. Yakıt pompası diyaframı haznesi
13. Jikle kontrolü
14. Kullanım kılavuzu
15. Kombine anahtar
16. Çalıştırıcı muhafazası
17. Şaft kavraması
18. Ayna dişli
19. Gres doldurma kapağı, ayna dişli
20. Çalıştırma diski

Ürün üzerindeki semboller



UYARI!! Bu ürün tehlikelidir. Ürün dikkatli ve doğru bir şekilde kullanılmazsa operatör veya yakındaki kişiler yaralanabilir veya ölebilir. Operatörün veya yakındaki kişilerin yaralanmasını önlemek için kullanım kılavuzundaki tüm güvenlik talimatlarını okuyup bunlara uyun.



Kullanım kılavuzunu dikkatle okuyun ve kullanımdan önce talimatları anladığınızdan emin olun.



Üzerinize nesne düşebilecek yerlerde koruyucu baret kullanın. Onaylı kulak koruma ekipmanı kullanın. Onaylı koruyucu gözlük kullanın.



Çıkış milinin maksimum hızı.



Ürün, geçerli AT direktiflerine uygundur.



Ürün, nesne fırlatarak yaralanmaya neden olabilir.



Ürünü kullanırken başka kişilerle ve hayvanlarla aranızda en az 15 m mesafe bırakın.



Onaylı koruyucu eldiven kullanın.



Ağır işler için elverişli, kaymaya dirençli botlar kullanın.



Yalnızca esnek kesme teli kullanın. Metal kesme ataşmanları kullanmayın.



AB ve BK direktifleri ile düzenlemeleri ve Yeni Güney Galler mevzuatı Çevre Koruma Operasyonları (Gürültü Kontrolü) Yönetmeliği 2017 uyarınca çevreye yayılan gürültü emisyonu etiketi. Ürünün garantili ses gücü düzeyi *Teknik veriler sayfa: 531* ve etiketin üstünde belirtilmektedir.



Yakıt pompası diyaframı haznesi.



Jikle.



Bu ürün yürürlükteki Birleşik Krallık yönetmeliklerine uygundur.

yyyyhhxxxx

Nominal değerler plakası, seri numarasını gösterir. **yyyy** üretim yılı, **hh** ise üretim haftasıdır.

Not: Ürünün üzerindeki diğer semboller/etiketler, diğer ticari alanların sertifikalandırma gereklilikleri ile ilgilidir.

Avrupa V Emisyonları



UYARI: Motorun kurcalanması bu ürünün AB tip onayını geçersiz kılar.

Müşteri yardımı

Müşteri yardımı için: 1-800-487-5951 numarasını arayın veya www.husqvarna.com adresini ziyaret edin.

Ürün sorumluluğu

Ürün sorumluluğu yasalarında belirtildiği üzere;

- ürünün hatalı bir şekilde onarılması,
- ürünün, üretici tarafından onaylanmayan veya üreticiden alınmayan parçalarla tamir edilmesi,

- üründe, üreticiden alınmayan veya üretici tarafından onaylanmayan bir aksesuar bulunması,
- ve ürünün, onaylı bir servis merkezinde veya yetkili bir kurum tarafından tamir edilmemesi durumunda oluşabilecek hasarlardan sorumlu değildir.

Güvenlik

Güvenlik tanımları

Kılavuzdaki önemli kısımları vurgulamak için uyarılar ve notlar kullanılmıştır.



UYARI: Kılavuzdaki talimatlarla uyulmadığı takdirde operatör veya çevredeki kişiler için ciddi yaralanma veya ölüm tehlikesi varsa kullanılır.



DİKKAT: Kılavuzdaki talimatlara uyulmadığı takdirde ürünün, diğer malzemelerin veya çevrenin zarar görme riski olduğunda kullanılır.

Not: Belirli bir durumda bilgi verilmesi gerektiğinde kullanılır.

Genel güvenlik talimatları



UYARI: Ürünü kullanmadan önce aşağıdaki uyarı talimatlarını okuyun.

- Ürünü doğru şekilde kullanın. Yaralanma veya ölüm, hatalı kullanımın olası sonuçlarıdır. Ürünü, yalnızca bu kılavuzda belirtilen işler için kullanın. Ürünü başka işler için kullanmayın.
- Bu kılavuzdaki talimatlara uyun. Güvenlik sembollerine ve güvenlik talimatlarına uyun. Operatörün talimatlara ve sembollere uymaması yaralanma, hasar veya ölümle sonuçlanabilir.
- Bu kılavuzu atmayın. Ürününüzü monte etmek, çalıştırmak ve iyi durumda tutmak için talimatlara başvurun. Ataşmanların ve aksesuarların doğru kurulumu için talimatlara başvurun. Yalnızca onaylanmış ataşmanları ve aksesuarları kullanın.
- Hasarlı ürünü kullanmayın. Bakım takvimine uyun. Yalnızca bu kılavuzda ilgili talimatı bulduğunuz bakım çalışmalarını gerçekleştirin. Diğer tüm bakım işlerini onaylı bir servis merkezi yapmalıdır.
- Bu kılavuz, ürünü kullanırken oluşabilecek tüm durumları kapsayamaz. Dikkatli olun ve sağduyunuzu kullanın. Durumdan emin değilseniz ürünü kullanmayın veya ürün üzerinde bakım yapmayın. Bilgi almak için bir ürün uzmanına, bayinize, servis noktasına veya onaylı servis merkezine danışın.

- Ürünü monte etmeden, saklamadan veya ürün üzerinde bakım yapmadan önce buji kablosunun bağlantısını kesin.
- Orijinal özellikleri değiştirilmiş ürünü kullanmayın. Üreticinin onayı olmadan ürünün bir parçasını değiştirmeyin. Yalnızca üretici tarafından onaylanmış parçaları kullanın. Hatalı bakım çalışmaları, yaralanma veya ölümle sonuçlanabilir.
- Motordan çıkan dumanlarını uzun süre solumak sağlık açısından risklidir.
- Ürünü kapalı yerlerde veya yanıcı maddelerin yakınında çalıştırmayın. Egzoz dumanları sıcaktır ve bir yangına neden olabilecek kıvılcımlar içerebilir. Nefessiz kalma veya karbon monoksit nedeniyle yeterli hava akışının olmaması yaralanmaya veya ölüme sebep olabilir.
- Bu ürünü kullandığınızda motor, elektromanyetik bir alan oluşturur. Elektromanyetik alan, tıbbi implantlara zarar verebilir. Ürünü kullanmadan önce doktorunuzla ve tıbbi implant üreticinizle iletişime geçin.
- Ürünü, bir çocuğun kullanmasına izin vermeyin. Talimatlar hakkında bilgisi olmayan birinin ürünü çalıştırmasına izin vermeyin.
- Fiziksel veya zihinsel kapasitesi düşük olan bir kişi ürünü kullanırken daima gözetim altında tutun. Sorumluluk sahibi bir yetişkin her zaman orada olmalıdır.
- Ürünü, çocukların ve onaylanmayan kişilerin ulaşamayacağı bir yere kilitleyin.
- Ürün, nesnelere fırlatarak yaralanmaya sebep olabilir. Yaralanma veya ölüm riskini azaltmak için güvenlik talimatlarına uyun.
- Motor açıkken üründen uzaklaşmayın.
- Oluşabilecek kazalardan operatör sorumludur.
- Ürünü kullanmadan önce parçaların hasarlı olmadığından emin olun.
- Ürünü kullanmadan önce diğer insanlardan veya hayvanlardan en az 15 m (50 ft) uzakta olduğunuzdan emin olun. Etrafınızdaki kişilerin ürünü kullanacağınıza bildiklerinden emin olun.
- Ulusal veya yerel yasalara uyun. Bazı koşullarda bu yasalar, ürünün kullanımını önleyebilir veya kısıtlayabilir.
- Ürünü yorgunken veya alkol, uyuşturucu ya da ilaç etkisi altındayken kullanmayın. Bu maddeler; görmenizi, dikkatinizi, koordinasyonunuzu ya da karar alma yetinizi etkileyebilir.

Montaj için güvenlik talimatları



UYARI: Ürünü kullanmadan önce aşağıdaki uyarı talimatlarını okuyun.

- Ürünün montajını yapmadan önce buji kapağını bujiden çıkarın.
- Onaylı koruyucu eldiven kullanın.
- Motoru çalıştırmadan önce kapağı ve mili doğru şekilde monte ettiğinizden emin olun.

Kullanım için güvenlik talimatları

- Ürünü kullanmadan önce ürünün tamamen monte edildiğinden emin olun.
- Çalıştırmadan önce ürünü, yakıt tankını doldurduğunuz konumdan 3 m (10 ft) uzağa taşıyın. Ürünü düz bir yüzeye yerleştirin. Kesme donanımının yere veya diğer cisimlere temas etmediğinden emin olun.
- Ürün, nesnelere fırlatılmasına neden olabilir; bu durum gözle zarar verebilir. Ürünü kullanırken daima onaylı bir koruyucu gözlük takın.
- Dikkatli olun; çalışma sırasında bir çocuk siz fark etmeden ürüne yaklaşabilir.
- Çalışma alanında insanlar varsa ürünü çalıştırmayın. Çalışma alanına biri girese ürünü durdurun.
- Her zaman ürünün kontrolünün sizde olduğundan emin olun.
- Bir kaza oluşması durumunda yardım alamayacak durumdaysanız ürünü kullanmayın. Her zaman ürünü kullanmaya başlamadan önce diğer kişilerin ürünü kullanacağını bildiğinden emin olun.
- Güvenlik alanında hiçbir insan veya hayvan bulunmadığından emin olmadan ürünle dönüş yapmayın.
- Çalışmaya başlamadan önce çalışma alanındaki tüm istenmeyen nesnelere kaldırın. Kesme donanımı bir nesneye çarparsa nesne fırlayabilir ve yaralanmaya sebep olabilir. İstenmeyen nesnelere, kesme donanımının etrafına dolanabilir ve hasara neden olabilir.
- Kötü hava koşullarında (sis, yağmur, kuvvetli rüzgar, yıldırım düşme riski veya diğer hava koşulları) ürünü kullanmayın. Kötü hava nedeniyle tehlikeli koşullar (ör. kaygan yüzeyler) oluşabilir.

- Rahatça hareket edebildiğinizden ve dengeli bir pozisyonda çalışabildiğinizden emin olun.



- Ürünü kullanırken düşme ihtimaliniz olmadığından emin olun. Ürünü kullanırken eğilmeyin.
- Ürünü daima iki elinizle tutun. Ürünü vücudunuzun sağ tarafında tutun.



- Ürünü, kesme donanımı bel hizasının altında kalacak şekilde kullanın.
- Jikle kontrolü, motor başladığında jikle konumundaysa kesme donanımı dönmeye başlar.
- Motor durduktan sonra ayna dişliye dokunmayın. Ayna dişli, motor durduktan sonra sıcak olur. Sıcak bölgeler yaralanmaya sebep olabilir.
- Ürünü taşımadan önce motoru durdurun.
- Motor açıkken ürünü yere koymayın.
- Üründeki istenmeyen malzemeleri çıkarmadan önce motoru durdurun ve kesme donanımının durmasını bekleyin. Siz veya bir yardımcı kesilen malzemeleri temizlemeden önce kesme donanımının durmasını bekleyin.

Kişisel koruyucu ekipman



UYARI: Ürünü kullanmadan önce aşağıdaki uyarı talimatlarını okuyun.

- Ürünü kullanırken daima onaylı kişisel koruyucu ekipmanları kullanın. Kişisel koruyucu ekipmanlar yaralanma riskini tamamen engelleyemez ancak bir kaza durumunda yaralanmanın derecesini azaltır. Bayinizin doğru ekipmanı seçmenize yardımcı olmasını sağlayın.
- Nesnelere düşme riski bulunan yerlerde koruyucu kask kullanın.

- Yeterli gürültü azaltması sağlayan onaylı kulak koruma ekipmanını kullanın. Uzun süre gürültüye maruz kalınması sürekli işitme bozukluğuna yol açabilir.
- Onaylı koruyucu gözlük kullanın. Vizör kullanıyorsanız onaylı koruma gözlüğü de kullanmanız gerekir. Onaylı koruma gözlüğü ABD'de ANSI Z87.1 veya AB ülkelerinde EN 166 standardıyla uyumlu olmalıdır.
- Yüz koruması için vizör kullanın. Vizör, göz koruması için yeterli değildir.



- Kesme donanımını takma, kontrol etme veya temizleme gibi eldiven gerektiren durumlarda eldiven kullanın.
- Sağlam, kaymaz botlar kullanın.
- Sağlam kumaştan yapılmış kıyafetler kullanın. Daima kalın ve uzun pantolonlarla uzun kollu kıyafetler kullanın. Çalılara ve dallara takılabilecek bol kıyafetler kullanmayın. Takı takmayın; şort, sandalet giymeyin veya çıplak ayakla dolaşmayın. Saçınızı güvenli bir şekilde omuz hizasının üzerinde toplayın.



- İlk yardım ekipmanını yakında bulundurun.



Ürünün üzerindeki güvenlik aletleri

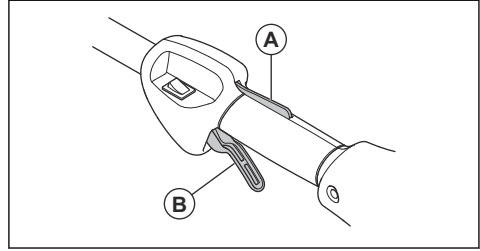


UYARI: Ürünü kullanmadan önce aşağıdaki uyarı talimatlarını okuyun.

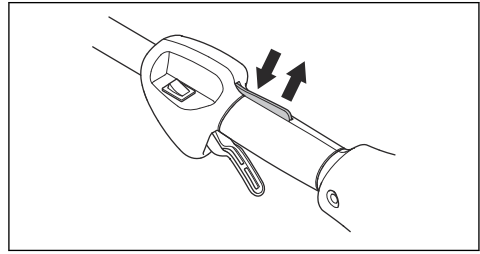
- Güvenlik araçları arızalı olan bir ürünü kullanmayın.
- Güvenlik araçlarını düzenli olarak kontrol edin. Bkz. *Bakım takvimi sayfa: 527.*
- Güvenlik araçları arızalıysa Husqvarna bayinizle görüşün.

Gaz tetiği kilidini kontrol etme

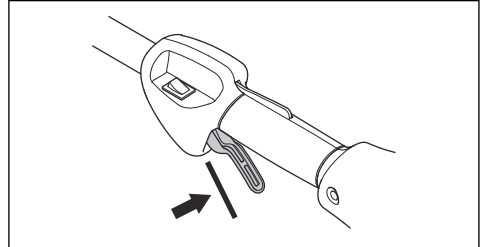
1. Gaz tetiği kilidinin (A) ve gaz tetiğinin (B) serbestçe hareket ettiğinden ve dönüş yayının düzgün çalıştığından emin olun.



2. Gaz tetiği kilidine basın ve tetiği serbest bıraktığınızda başlangıç konumuna döndüğünden emin olun.



3. Gaz tetiği kilidi serbest bırakıldığında gaz tetiğinin rölanti konumunda sabitlendiğinden emin olun.



4. Ürünü çalıştırın ve tam gaz verin.
5. Gaz tetiğini serbest bırakın ve bıçakların durduğundan ve sabit kaldığından emin olun.

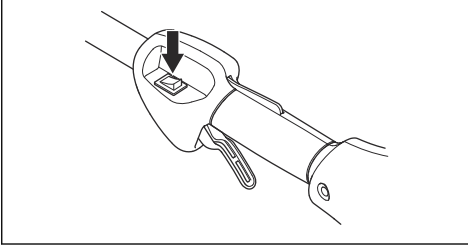


UYARI: Gaz tetiği rölanti konumundayken bıçaklar hareket ederse karbüratör rölantisinin ayarlanması gerekir. Bkz. *Rölantinin ayarlanması sayfa: 527.*

Durdurma anahtarını kontrol etme

1. Motoru başlatın.

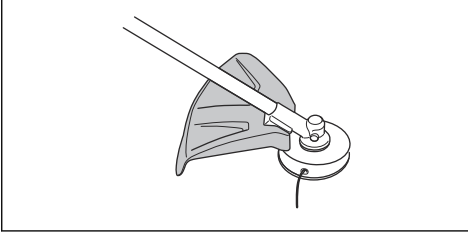
2. Durdurma düğmesini durdurma konumuna getirin ve motorun durduğundan emin olun.



Kesme donanımı siperliği kontrol etme

Kesme donanımı siperliği, operatöre doğru fırlatılan nesnelere engeller. Kesme donanımına dokunduğunuzda oluşabilecek yaralanmaları da önler.

1. Motoru durdurun.
2. Çatlama gibi herhangi bir hasar olup olmadığını gözünüzle kontrol edin.



3. Hasar görmesi durumunda kesme donanımı siperliğini değiştirin.

Susturucu

- Susturucusu hasar görmüş motor kullanmayın. Hasarlı bir susturucu, gürültü düzeyini ve yangın riskini artırır. Yakında bir yangın söndürücü bulundurun.
- Susturucunun ürüne takılı olup olmadığını düzenli olarak kontrol edin.
- Motor açıkken motora veya susturucuya dokunmayın. Motor durduktan sonra motora veya susturucuya bir süre boyunca dokunmayın. Sıcak yüzeyler yaralanmalara sebep olabilir.
- Sıcak susturucu yangına neden olabilir. Ürünü yanıcı sıvıların veya dumanların yakınında kullanırken dikkatli olun.
- Susturucu hasar görmüşse susturucudaki parçalara dokunmayın. Parçalar kanserojen kimyasallar içerebilir.

Kesme donanımı



UYARI: Ürünü kullanmadan önce aşağıdaki uyarı talimatlarını okuyun.

- Düzenli olarak bakım yapın. Ayarlamaya veya onarım yapılması için düzenli olarak kesme donanımının onaylı bir servis merkezi tarafından incelenmesini sağlayın.
 - Kesme donanımının performansı artar.
 - Kesme donanımının kullanım ömrü uzar.
 - Kaza riski azalır.
- Yalnızca onaylı bir kesme donanımı siperliği kullanın. Bkz. *Aksesuarlar sayfa: 532*.
- Hasarlı kesme donanımı kullanmayın.

Yakıt güvenliği



UYARI: Ürünü kullanmadan önce aşağıdaki uyarı talimatlarını okuyun.

- Yakıtı kapalı bir mekanda veya bir ısı kaynağının yakınında karıştırmayın.
- Ürünün üzerinde yakıt veya motor yağı varsa ürünü çalıştırmayın. İstenmeyen yakıtı/yağı temizleyin ve ürünün kurumasını bekleyin. Üründeki istenmeyen yakıtı temizleyin.
- Kıyafetlerinizi yakıt bulaşına kıyafetlerinizi hemen değiştirin.
- Vücudunuza yakıt bulaştırmayın; bu, yaralanmaya sebep olabilir. Vücudunuza yakıt bulaşına yakıtı temizlemek için su ve sabun kullanın.
- Ürüne ya da vücudunuza yağ veya yakıt dökerseniz motoru çalıştırmayın.
- Motorda sızıntı varsa ürünü çalıştırmayın. Motorda sızıntı olup olmadığını düzenli olarak kontrol edin.
- Yakıtla uğraşırken dikkatli olun. Yakıt yanıcı ve dumanlar patlayıcıdır; yaralanmalara veya ölüme sebep olabilir.
- Yaralanmaya sebep olabileceğinden yakıt dumanını solumayın. Yeterli hava akışı olduğundan emin olun.
- Yakıtın veya motorun yakınında sigara içmeyin.
- Yakıtın veya motorun yakınına sıcak nesnelere koymayın.
- Motor açıkken yakıt eklemeyin.
- Yakıtı yenilemeden önce motorun soğuduğundan emin olun.
- Yakıtı yenilemeden önce yakıt tankı kapağını yavaşça açın ve basıncı dikkatlice tahliye edin.
- Yakıt doldururken ve karıştırırken (benzin ve iki zamanlı yağ) veya yakıt tankını boşaltırken yeterli hava akışı olduğundan emin olun.
- Yakıt ve yakıt buharı kolayca tutuşabilir ve solunduğunda veya ciltle temas etmesi durumunda ciddi yaralanmalara neden olabilir. Bu nedenle yakıtla işlem yaparken dikkatli olun ve yeterli hava akışı olduğundan emin olun.
- Yakıt tankı kapağını dikkatlice sıkın; aksi takdirde yangın çıkabilir.
- Çalıştırmadan önce ürünü, yakıt tankını doldurduğunuz konumdan en az 3 m (10 ft) uzağa taşıyın.

- Yakıt tankına çok fazla yakıt doldurmayın.
- Ürünü veya yakıt konteynerini taşıırken sızıntı olmadığından emin olun.
- Ürünü veya bir yakıt konteynerini açık ateşin, kıvılcımın veya pilot alevinin olduğu bir alana koymayın. Depolama alanında açık alev olmadığından emin olun.
- Yakıtı taşıırken veya depolarken yalnızca onaylı konteynerleri kullanın.
- Ürünü uzun süre saklamadan önce yakıt tankını boşaltın. Yakıtın nereye atılacağı konusunda yerel yasalara uyun.
- Ürünü uzun süre saklamadan önce temizleyin.
- Motorun kazara çalışmasını engellemek için ürünü depolamadan önce buji kapağını çıkarın.

Bakım için güvenlik talimatları



UYARI: Ürünü kullanmadan önce aşağıdaki uyarı talimatlarını okuyun.

- Bakım gerçekleştirmeden önce motoru durdurun, kesme donanımının durduğundan emin olun ve ürünü soğumaya bırakın.
- Bakım gerçekleştirmeden önce buji kapağını çıkarın.

- Motordan gelen egzoz dumanı kokusuz, zehirli ve ölüme neden olabilecek son derece tehlikeli bir gaz olan karbon monoksit içerir. Ürünü iç mekanlarda veya kapalı alanlarda çalıştırmayın.
- Motordan çıkan egzoz dumanları sıcaktır ve kıvılcımlı olabilir. Ürünü kapalı yerlerde veya yanıcı maddelerin yakınında çalıştırmayın.
- Üretici tarafından onaylanmayan aksesuarlar ve değişiklikler ciddi yaralanmaya veya ölüme neden olabilir. Ürünü değiştirmeyin. Her zaman orijinal aksesuarlar kullanın.
- Bakım doğru bir şekilde ve düzenli olarak yapılmazsa yaralanma ve ürünün hasar görme riski artar.
- Bakımı yalnızca bu kullanım kılavuzunda önerilen şekilde yapın. Tüm diğer servis işlemlerini onaylı bir Husqvarna servis noktasına yaptırın.
- Yetkili bir Husqvarna servis noktasının ürüne düzenli olarak servis işlemi uygulamasını sağlayın.
- Hasarlı, aşınmış veya bozuk parçaları değiştirin.
- Budayıcı ipini takma ve doğru ip çapı ile ilgili doğru prosedür için kesme donanımı talimatlarına bakın.
- Bıçağın dişlerini doğru şekilde bilelenmiş biçimde tutun. Önerilerimize uyun. Ayrıca bıçak ambalajının üzerindeki talimatlara da bakın.

Montaj

Giriş



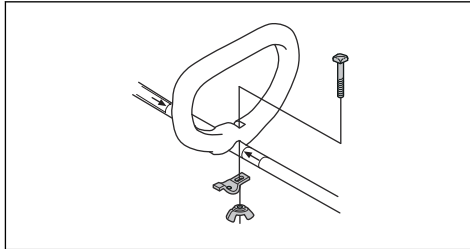
UYARI: Ürünü monte etmeden önce güvenlik bölümünü okuyup anlamalısınız.



UYARI: Ürünün montajını yapmadan önce buji kablosunu bujiden çıkarın.

Yarım daire şeklindeki tutma yerini takma

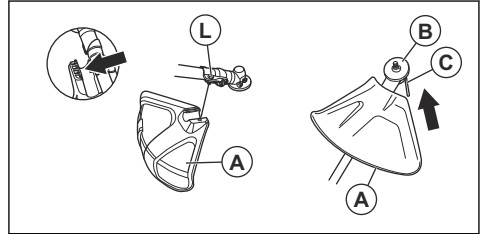
1. Resme uyarak yarım daire şeklindeki tutma yerini mile takın ve sıkın.



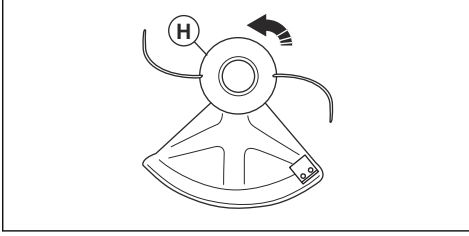
2. Yarım daire şeklindeki tutma yerinin mil üzerindeki okların arasına takıldığından emin olun.

Kesme donanımı siperliğinin ve misina kafanın (düz mil) takılması

1. Kesme donanımı siperliğini (A), civata (L) ile mile takın.
2. Çalıştırma diskini (B) çıkış mili üzerine takın.
3. Çalıştırma diskindeki delik, dişli kovanındaki delikle hizalanıncaya kadar çıkış milini döndürün.
4. Mili kilitlemek için deliğe küçük bir tornavida (C) yerleştirin.

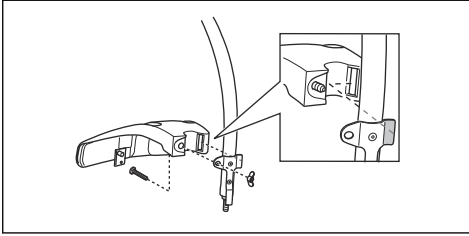


5. Misina kafayı (H) dişli kutusuna sıkarak sabitlemek için saat yönünün tersine döndürün. (Soldan dişli.)

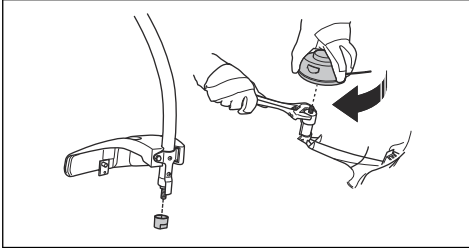


Kesme donanımı siperliğinin ve misina kafanın (kavisli mil) takılması

1. Siperliği takın. Somunu sıkın.



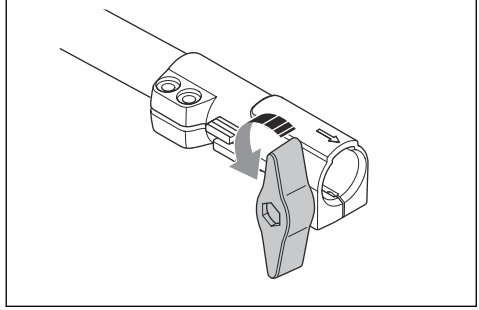
2. Toz kapağını mile takın.



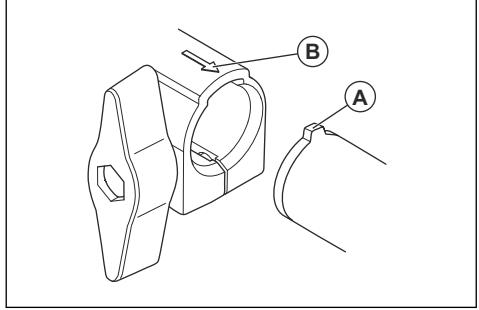
3. Milin dönmediğinden emin olmak için toz kapağını ayarlanabilir bir İngiliz anahtarıyla tutun.
4. Misina kafayı mile takın. Misina kafayı saat yönünde döndürün.

İki parçalı mili monte etme

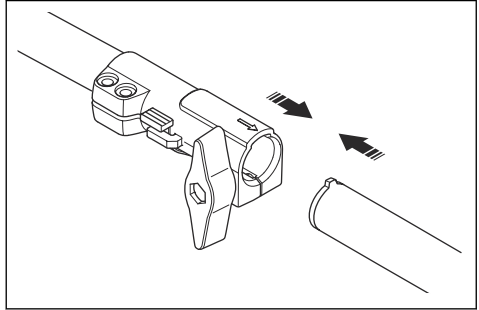
1. Bağlantıyı gevşetmek için düğmeyi çevirin.



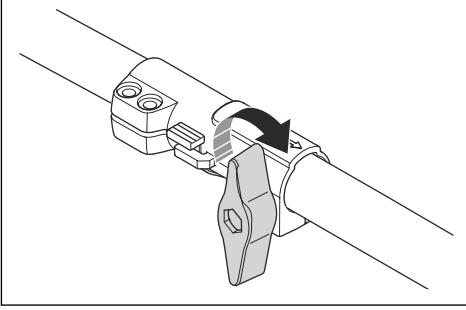
2. Tırnağı (A) bağlantıdaki ok (B) ile hizalayın.



3. Mili, tıklama sesiyle birlikte yerine oturana kadar bağlantının içine doğru itin.

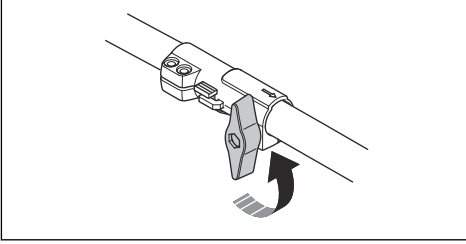


4. Topuzu tamamen sıkın.



İki parçalı mili sökme

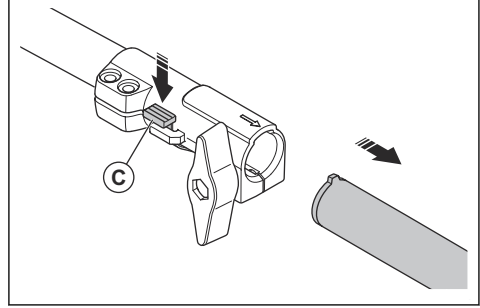
1. Bağlantıyı gevşetmek için düğmeyi 3 tur veya daha fazla çevirin.



2. Düğmeyi (C) basılı tutun.

3. Motorun takılı olduğu milin ucunu sıkıca tutun.

4. Ataşmanı bağlantıdan çekip çıkarın.



Çalışma

Giriş



UYARI: Ürünü kullanmadan önce güvenlik bölümünü okuyup anlamalısınız.

Yakıt

Bu üründen iki zamanlı motor bulunur.



DİKKAT: Yanlış tür yakıtın kullanımı motor hasarına neden olabilir. Benzin ve iki zamanlı motor yağı karışımı kullanın.

Hazır yakıt karışımı

- Motorun en iyi performansı göstermesi ve motor ömrünün uzaması için Husqvarna hazır alkilat yakıt kullanın. Zararlı egzoz dumanını azaltan bu yakıt, normal yakıtla kıyasla daha az zararlı kimyasal içerir. Bu yakıt yanma sonrası daha az kalıntı bıraktığından, motor bileşenlerini daha temiz tutar.

Yakıtın karıştırılması

Benzin

- Maksimum %10 etanol içerikli iyi kalite kurşunsuz benzin kullanın.



DİKKAT: Oktan oranı 90 RON/87 AKI değerinin altında olan benzin kullanmayın. Daha düşük oktanlı benzinin kullanılması motorda vuruntuya ve hasarlara neden olabilir.

İki zamanlı yağ

- En iyi sonuçlar ve performans için Husqvarna iki zamanlı yağ kullanın.
- Husqvarna iki zamanlı yağ yoksa hava soğutmalı motorlar için iyi kalitede başka bir iki zamanlı yağ kullanın. Doğru yağı seçmek için servis bayinize iletişime geçin.



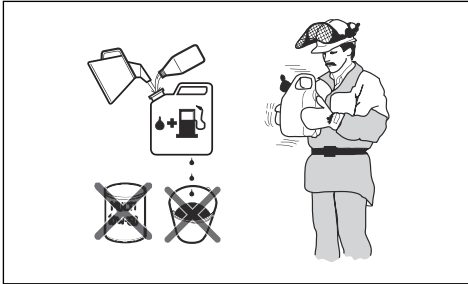
DİKKAT: Su soğutmalı dış motorlar için olan ve dış yağ olarak da bilinen iki zamanlı yağı kullanmayın. Dört zamanlı motor yağlarını kullanmayın.

Benzinle iki zamanlı yağı karıştırma

Benzin, litre	İki zamanlı yağ, litre
	%2 (50:1)
5	0,10
10	0,20
15	0,30
20	0,40



DİKKAT: Az miktarda yakıt karıştırırken yapılan küçük bir hata, karışımın oranını büyük ölçüde etkileyebilir. Doğru karışımı elde ettiğinizden emin olmak için yağ miktarını dikkatli bir şekilde ölçün.



1. Benzinin yarısını temiz bir yakıt kabına doldurun.
2. Yağ miktarının tümünü ekleyin.
3. Yakıt karışımını çalkalayın.
4. Kalan benzinini kaba ekleyin.
5. Yakıt karışımını dikkatlice çalkalayın.



DİKKAT: Tek seferde 1 ayılıktan fazla yakıt karıştırmayın.

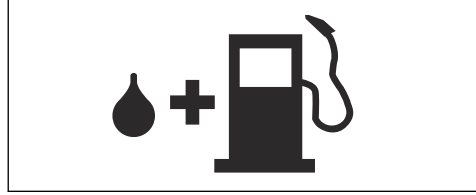
Yakıt tankını doldurma



UYARI: Güvenliğiniz için aşağıdaki prosedüre uyun.

1. Motoru durdurun ve soğumasını bekleyin.

2. Yakıt tankı kapağının çevresini temizleyin.



3. Kabı sallayın ve yakıtın iyice karıştığından emin olun.
4. Basıncı tahliye etmek için yakıt tankı kapağını yavaşça çıkarın.
5. Yakıt tankını doldurun.



DİKKAT: Yakıt tankında çok fazla yakıt olmadığından emin olun. Yakıt ısındığında genişler.

6. Yakıt tankının kapağını dikkatlice sıkın.
7. Ürünün üzerindeki ve çevresindeki yakıt kalıntılarını temizleyin.
8. Motoru çalıştırmadan önce ürünü yakıt ikmali alanından ve yakıt kaynağından en az 3 m/10 ft uzaklaştırın.

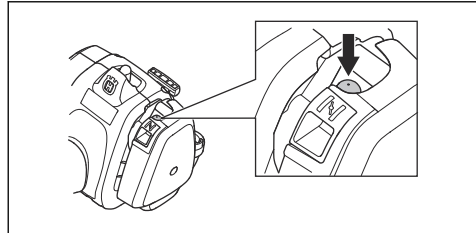
Not: Yakıt tankının ürününüzün neresinde olduğunu görmek için bkz. *Ürüne genel bakış sayfa: 515.*

Başlangıç öncesi kontrol

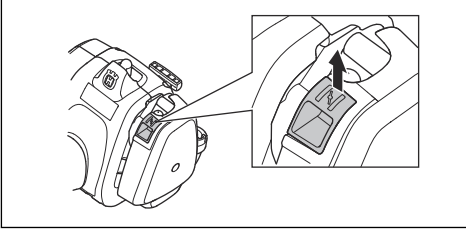
1. Üründe eksik, hasarlı, gevşek veya aşınmış parçalar olmadığından emin olun.
2. Somun, vida ve civataların sıkıldığından emin olun.
3. Misina kafanın zarar görmemiş olduğundan emin olun.
4. Hava filtresinin tıkalı olmadığından emin olun.
5. Üründeki güvenlik araçlarının hatalı olmadığından emin olma.
6. Üründe yakıt sızıntısı olmadığından emin olun.

Soğuk motoru çalıştırma

1. Yakıt pompası diyaframı haznesine 10 kez basın.



2. Jikle kontrolünü jikle konumuna getirin.



3. Sol elinizle ürünün gövdesini zeminin üzerinde tutun.



DİKKAT: Ürünün üstüne basmayın.

4. Çalıştırma ipinin kolunu direnç hissedene kadar sağ elinizle yavaşça çekin. Çalıştırma ipi kolunu, motor çalışana veya çalışmayı deneyene kadar hızlı ve güçlü bir şekilde çekin.



UYARI: Çalıştırma ipini elinize dolamayın.

5. Jikle kontrolünü çalıştırma konumuna getirin.
6. Motor çalışırsa gaz tetiğine hafifçe basın ve motoru 60 saniye çalıştırarak ısıtın. Motor çalışmazsa çalıştırma ipi kolunu motor çalışana kadar çekin. Ardından gaz tetiğine hafifçe basın ve motoru 60 saniye çalıştırarak ısıtın.



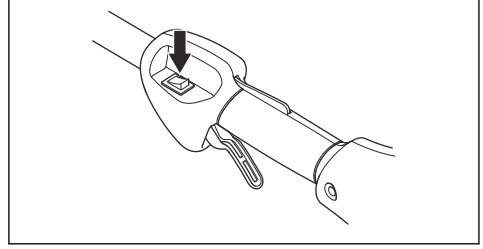
DİKKAT: Çalıştırma ipini sonuna kadar çekmeyin ve çalıştırma ipi kolunu elinizden bırakmayın. Bu, üründe hasara neden olabilir. Çalıştırma ipini yavaşça serbest bırakın.

Sıcak motoru çalıştırma

1. Yakıt pompası diyaframı haznesine 10 kez basın.
2. Motor çalışana kadar çalıştırma ipini çekin.

Ürünü durdurma

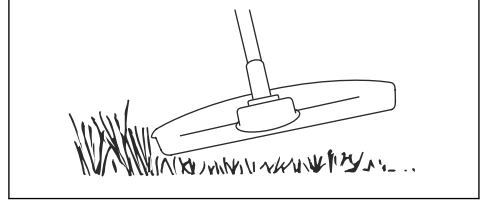
- Motoru durdurmak için durdurma anahtarına basın.



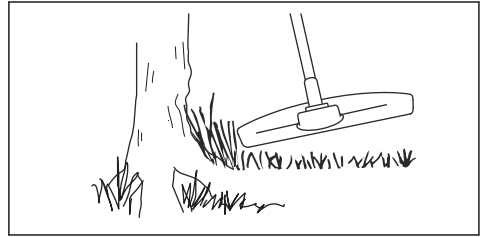
Not: Durdurma düğmesi, otomatik olarak ilk konumuna geri döner.

Çim düzeltme

1. Misina kafayı zemin yüzeyinin hemen üstünde bir açı ile tutun. Misinayı çime bastırmayın.



2. Misina uzunluğunu 10-12 cm/4-4,75 inç kısaltın.
3. Bitkilere zarar verme riskini azaltmak için motor devrini düşürün.
4. Nesnelerin yakınında çim keserken %80 oranında gaz kullanın.



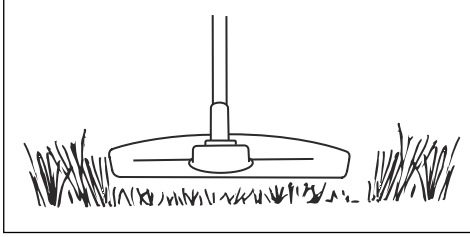
Çim bıçağı ile çim temizleme

1. Çim bıçakları ve çim kesiciler odunsu köklerde kullanılmamalıdır.
2. Çim bıçağı her türlü yüksek ve kalın çimler için kullanılır.
3. Çim, yanlara doğru bir sallama hareketiyle kesilir; sağdan sola yapılan hareket temizleme darbesi, soldan sağa yapılan hareket ise geri dönüş darbesidir. Kesme işlemini bıçağın sol kenarının (saat 8 ve 12 yönleri arasında) yapmasını sağlayın.

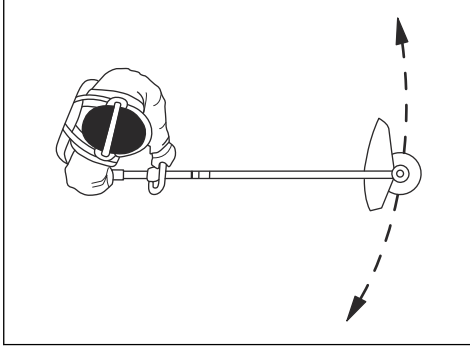
4. Çim temizleme sırasında bıçak sola doğru açıldırıldıysa çim bir hat üzerinde birikir ve örneğin tırmıkla toplamak daha kolay olur.
5. Ritmik bir şekilde çalışın. Ayaklarınızı ayırarak yere sağlam basın. Geri dönüş darbesinden sonra ileri gidin ve tekrar sağlam bir şekilde durun.
6. Destek manşetini hafifçe yere bırakın. Bıçağın yere çarpmasını önlemek için kullanılır.
7. Her zaman tam gazda çalışarak ve geri dönüş darbesi sırasında önceden kesilen malzemeye dokunmayarak nesnelerin bıçağa dolanması riskini azaltabilirsiniz.
8. Motoru durdurun, kuşam askılığı çıkarın ve kesilen malzemesi toplamaya başlamadan önce makineyi yere bırakın.

Çim kesme

1. Çimi keserken misinanın zemine paralel olduğundan emin olun.



2. Misina kafayı zemine bastırmayın. Bu, üründe hasara neden olabilir.
3. Çimi keserken ürünü yanlamasına hareket ettirin. Tam hızı kullanın.



Çimi temizleme

Dönen misinadan gelen hava akışı kesilen çimi bölgeden kaldırmak için kullanılabilir.

1. Misina kafayı ve misinayı yere paralel ve yerden yukarıda tutun.
2. Tam gaz uygulayın.
3. Misina kafayı yanlamasına hareket ettirerek çimi süpürün.



UYARI: Her yeni misina taktığınızda, dengenin bozulmasını ve tutacaklarda titreşimi önlemek için misina kafa kapağını temizleyin. Ayrıca misina kafanın diğer taraflarını da kontrol edip gerekirse temizleyin.

Misina kafa

- Titreşimi azaltmak için misinayı tamburun etrafına sıkıca ve eşit şekilde sardığınızdan emin olun.
- Yalnızca onaylı misina kafa ve misina kullanın. Bkz. *Aksesuarlar sayfa: 532.*
- Uygun uzunlukta misina kullanın. Uzun misinalar, kısa misinalardan daha fazla motor gücü tüketir.
- Kesme donanımı siperliği üzerindeki testerenin hasarlı olmadığından emin olun.
- Misinayı ürüne takmadan önce 2 gün boyunca suda bekletin. Bu, misinanın kullanım ömrünü uzatır.
- Misinayı doğru şekilde yükleme yöntemini ve doğru kablo çapını kullanmak için kesme ataşmanı talimatlarına bakın.

Bakım

Giriş



UYARI: Bakım yapmadan önce güvenlik bölümünü okuyup anlamanız gerekir.

Ürüne uygulanacak tüm servis ve onarım işlemleri için özel eğitim gereklidir. Profesyonel onarım ve servis hizmetlerinin mevcut bulunduğunu garanti etmekteyiz. Yetkilili satıcınızın servis noktası değilse kendisiyle görüşüp en yakınınızdaki servis noktası hakkında bilgi edinin.

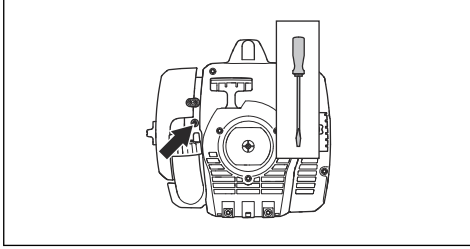
Bakım takvimi

Bakım	Günlük	Haftalık olarak	Aylık olarak
Dış yüzeyi temizleyin.	X		
Hava filtresini temizleyin. Gerekirse değiştirin.	X		
Gaz tetiği kilidinin ve gazın çalışmasını kontrol edin.	X		
Durdurma anahtarını kontrol edin.	X		
Siperlikleri kontrol edin.	X		
Misina kafayı kontrol edin.	X		
Kilitleme somununu kontrol edin.	X		
Yakıt sızıntısı olup olmadığını kontrol edin.	X		
Çim bıçağının ortada hizalı olduğundan, keskin olduğundan ve dişlerinde veya orta deliğinde hasar olmadığından emin olun.	X		
Rölantideyken kesme ataşmanının dönmediğinden emin olun.	X		
İki parçalı mile gres uygulayın.		X	
Çalıştırma ipi tutacağını ve çalıştırma ipini kontrol edin.		X	
Ayna dişli yağın kontrol edin.		X	
Bujinin dış yüzeyini temizleyin. Bujiyi çıkarın ve elektrot boşluğunu ölçün. Elektrot boşluğunu ayarlayın veya bujii değiştirin.		X	
Soğutma sistemini temizleyin.		X	
Susturucudaki kıvılcım önleyici siperliği temizleyin veya değiştirin.		X	
Karbüratörün dış yüzeyini ve etrafındaki bölgeyi temizleyin.		X	
Yakıt filtresinde kirlilik olup olmadığını kontrol edin.			X
Yakıt hortumunda hasar olup olmadığını kontrol edin.			X
Tüm kabloları ve bağlantıları kontrol edin.			X
Kavrama, kavrama yayları ve kavrama tamburunda aşınma olup olmadığını kontrol edin.			X
Bujiyi değiştirin.			X

Rölantinin ayarlanması

Rölantiyi ayarlamadan önce hava filtresinin temiz ve hava filtresi kapağının takılı olduğundan emin olun.

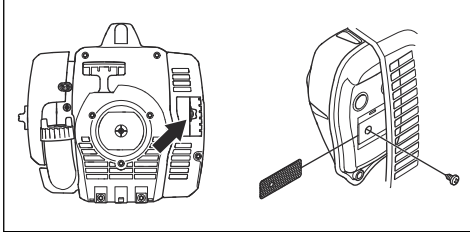
1. "T" işaretiyle belirlenen rölanti vidasını, kesme donanımı dönmeye başlayana kadar saat yönünde çevirin.



2. "T" işaretiyle belirlenen rölanti vidasını, kesme donanımı durana kadar saat yönünün tersi yönde çevirin.
3. Rölanti hızının kesme donanımının dönmeye başladığı hızdan düşük olması gerekir. Motorun her konumda sorunsuz çalışması rölantinin doğru ayarlandığı anlamına gelir.

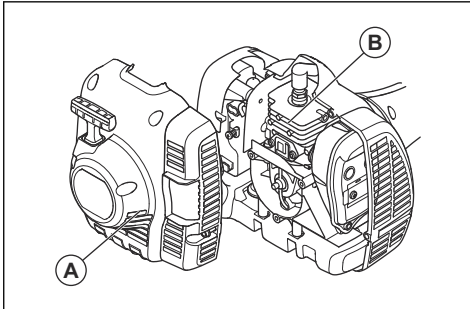
Kıvılcım önleyici siperliğin bakımı

- Kıvılcım önleyici siperliği temizlemek için bir tel fırça kullanın.



Soğutma sistemini temizleme

- Marş motoru üzerindeki hava girişini (A) ve silindir üzerindeki soğutma kanatlarını (B) bir fırça yardımıyla temizleyin.



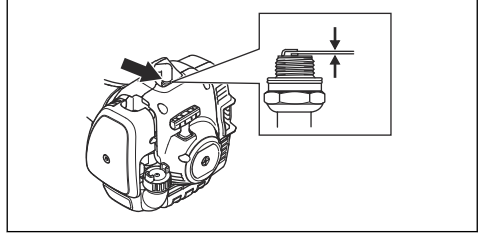
Bujinin kontrol edilmesi



DİKKAT: Önerilen bujiyi kullanın.

Yedek parçanın üretici tarafından sağlanan parçayla aynı olduğundan emin olun. Yanlış buji, ürüne zarar verebilir. Bujinin bir parazit gidericiyle birlikte takıldığından emin olun. Daha fazla bilgi için lütfen servis bayinizle görüşün.

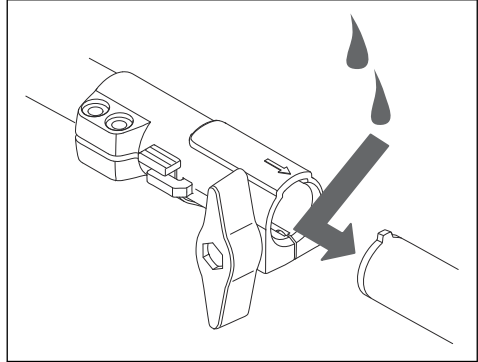
1. Bujiyi;
 - a) motor gücü düşüğe,
 - b) motor kolay başlatılmıyorsa,
 - c) motor, rölantide düzgün çalışmıyorsa kontrol edin.
2. Motoru çalıştırmak veya kullanmak kolay değilse bujide istenmeyen nesnelere olup olmadığını kontrol edin. Buji elektrotlarında istenmeyen nesne riskini azaltmak için:
 - a) Rölanti hızının doğru ayarlandığından emin olun.
 - b) Yakıt karışımının doğru ayarlanmış olduğundan emin olun.
 - c) Hava filtresinin temiz olduğundan emin olun.
3. Buji kirliyse bujiyi temizleyin. Elektrot boşluğunun doğru olduğundan emin olun. Bkz. *Teknik veriler sayfa: 531.*



4. Gerekirse bujiyi değiştirin.

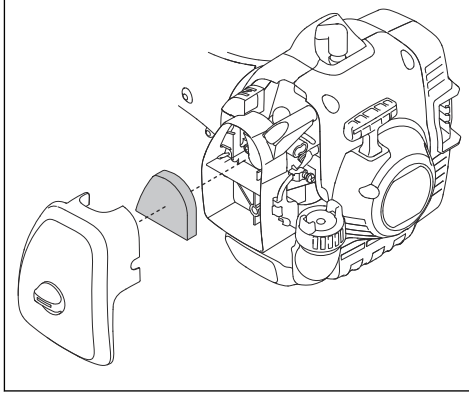
İki parçalı mile gres uygulama

- Tahrik milinin ucuna her 30 saatlik kullanımdan sonra gres uygulayın.



Hava filtresinin temizlenmesi

1. Hava filtresi kapağını ve hava filtresini çıkarın.



2. Hava filtresini ılık, sabunlu suyla temizleyin. Takmadan önce hava filtresinin kuru olduğundan emin olun.
3. Tamamen temizlenmeyecek kadar kirlenmişse hava filtresini değiştirin. Hasar görmüş hava filtrelerini daima değiştirin.
4. Ürününüzde köpük hava filtresi varsa hava filtresi yağı uygulayın. Hava filtresi yağını yalnızca köpük filtreye uygulayın. Keçe filtreye yağ uygulamayın.

Hava filtresine hava filtresi yağının uygulanması

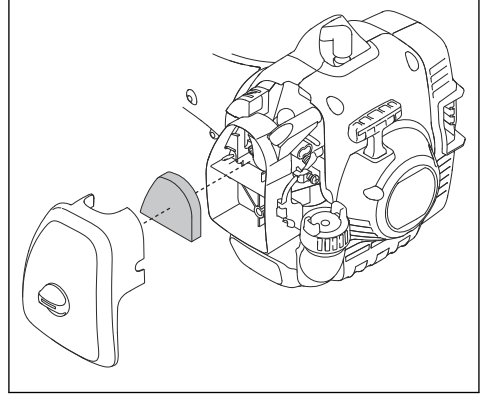


DİKKAT: Köpük hava filtrelerini yağlamak için daima özel hava filtresi yağı kullanın. Diğer yağ türlerini kullanmayın.

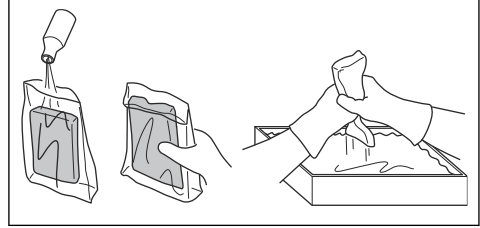


UYARI: Vücudunuza yağ bulaştırmayın.

1. Hava filtresi kapağını ve hava filtresini çıkarın.



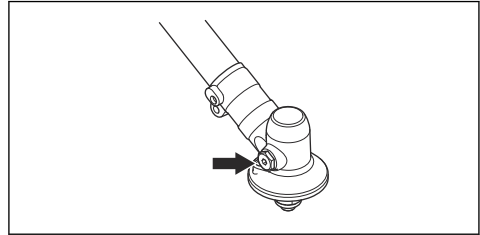
2. Hava filtresini plastik bir torbaya koyun.
3. Hava filtresi yağını plastik torbaya koyun.



4. Yağın, hava filtresinin her yerine eşit olarak yayıldığından emin olmak için plastik torbayı bastırın.
5. Fazla hava filtresi yağını boşaltmak için torbanın içindeyken hava filtresini sıkın. Hava filtresini torbadan çıkarın.
6. Hava filtresini ürüne takın.

Ayna dişliye gres eklenmesi

- Ayna dişlinin ¼ kadarının ayna dişli gresiyile dolu olduğundan emin olun.



Sorun giderme

Motorun çalışmaması

Kontrol edin	Olası neden	Prosedür
Marştaki dişli çark mandalları.	Marştaki dişli çark mandalları serbest hareket edemiyordur.	Çalıştırıcı kapağını çıkarın ve marştaki dişli çark mandalların çevresini temizleyin.
		Yetkili bir servis bayisinden yardım alın.
Yakıt tankı.	Yanlış yakıt tipi.	Yakıt tankını boşaltın ve doğru yakıtla doldurun.
Buji.	Buji kirli veya ıslaktır.	Bujinin kuru ve temiz olduğundan emin olun.
	Buji elektrot boşluğu yanlıştır.	Bujiyi temizleyin. Elektrot boşluğunun doğru olduğundan emin olun. Bujinin parazit gidericisi olduğundan emin olun.
		Doğru elektrot boşluğu için bkz. <i>Teknik veriler sayfa: 531</i> .
	Buji gevşektir.	Bujiyi sıkın.

Motor çalışıyor ancak tekrar duruyor

Kontrol edin	Olası neden	Prosedür
Yakıt tankı	Yanlış yakıt tipi.	Yakıt tankını boşaltın ve doğru yakıtı doldurun.
Hava filtresi	Hava filtresi tıkalıdır.	Hava filtresini temizleyin.

Taşıma ve saklama

- Depolamadan önce mutlaka ürünün soğumasını bekleyin.
- Ürün ile yakıtı taşımak ve saklamak için sızıntı veya duman olmadığından emin olun. Örneğin, elektrikli cihazlardan veya kazanlardan kaynaklanan kıvılcım veya açık alevler yangın çıkarabilir.
- Yakıtı taşımak ve saklamak için her zaman onaylı kaplar kullanın.
- Taşımadan veya uzun süreli depolamadan önce yakıtı boşaltın. Yakıtı uygun bir çöp atma merkezinde bertaraf edin.
- Taşıma ve saklama sırasında taşıma siperliğini takın.
- Buji kapağını bujiden çıkartın.
- Ürünü taşıma sırasında takın. Oynamadığından emin olun.
- Uzun süre için depoya kaldırmadan önce ürünü temizleyip bakımını yapın.

Teknik veriler

Teknik veriler

	122C	122LK
Motor		
Silindir hacmi, cm ³	21,7	21,7
Rölanti, dev/dak	2900	2900
Önerilen maksimum devir, dev/dak	7200	9100
Çıkış milinin devri, dev/dak	7200	6232
ISO 8893'e göre Güç/Maks. motor çıkışı, dev/dak'da kW/hp	7800 dev/dak'da 0,6/0,8	7800 dev/dak'da 0,6/0,8
Katalitik konvertör susturucusu	Evet	Evet
Devir kontrollü ateşleme sistemi	Hayır	Hayır
Ateşleme sistemi		
Buji	HQT-4 672201	HQT-4 672201
Elektrot boşluğu, mm	0,5	0,5
Yakıt sistemi		
Yakıt deposu kapasitesi, l/cm ³	0,3/300	0,3/300
Ağırlık		
Yakıt, kesme ataşmanı ve siperlik olmadan ağırlık, kg	4,4	4,8
Gürültü yayma ⁷⁹		
Ses gücü düzeyi, ölçülen, dB(A)	102	104
Ses gücü düzeyi, garanti edilen (L _{WA}), dB(A)	104	108
Gürültü seviyeleri ⁸⁰		
EN ISO 11806 ve ISO 22868'e göre ölçülen operatör kulağında eş-değer ses basıncı seviyesi, dB(A):	88	90
Titreşim seviyeleri ⁸¹		
Eşdeğer titreşim düzeyi (a _{hv, eq}), misina kafa ile donatılmış, sol tutma yeri, m/sn ²	5,0	3,6

⁷⁹ Ses gücü (L_{WA}) türünden ortamda ölçülen gürültü yayma değeri, 2000/14/AT sayılı AT direktifine uygun olarak ölçülmüştür. Ürün için bildirilen ses gücü seviyesi, en yüksek ses gücü seviyesi çıkışlı orijinal kesme ataşmanı ile ölçülmüştür. Garanti edilen ve ölçülen ses gücü arasındaki fark, garantili ses gücünün 2000/14/AT Sayılı Direktif doğrultusunda ölçüm sonucundaki dağılımı ve aynı modelden farklı ürünler arasındaki değişimleri de içermesidir.

⁸⁰ Ürünün eşdeğer ses basıncı seviyesi için bildirilen verilerdeki tipik istatistik dağılım (standart sapma) 1 dB (A) şeklindedir.

⁸¹ Eş değer titreşim seviyesi için bildirilen verilerin tipik istatistik dağılımı (standart sapması) 1 m/s² şeklindedir.

	122C	122LK
Eşdeğer titreşim düzeyi ($a_{hv, eq}$), misina kafa ile donatılmış, sağ tutma yeri, m/sn ²	3,6	3,5

Aksesuarlar

Aksesuarlar

122C		
Onaylı aksesuarlar	Tip	Kesme ataşmanı siperliği
Yivli mil	3/8 R	–
Misina kafa	T25 (Ø 2,0 - 2,4 mm misina)	574 47 95-01
	T25C (Ø 2,0 - 2,7 mm misina)	
	R25 (Ø 2,0 - 2,4 mm misina)	
122LK		
Onaylı aksesuarlar	Tip	Kesme ataşmanı siperliği
Yivli mil	M10	–
Misina kafa	T25 (Ø 2,0 - 2,4 mm misina)	574 19 87-01
	R25 (Ø 2,0 - 2,4 mm misina)	

Belirtilen modeller için aşağıdaki ataşmanlar önerilir.

Onaylanmış ataşmanlar	Tip	Kullanılacak model
Kökten temizlik ataşmanı	SR600-2	122LK
Çit düzeltici ataşmanı	HA200	122LK
Çit düzeltici ataşmanı	HA860	122LK
Kenar düzeltici ataşmanı	ECA850, ESA860	122LK
Testere ataşmanı	PA1100	122LK
Uzatma ataşmanı	EX780	122LK
Çapalayıcı ataşmanı	CA230	122LK
Üfleleyici ataşmanı	BA101	122LK
Sert kıllı fırça ataşmanı	BR600	122LK
Çim havalandırıcı ataşmanı	DT600	122LK

Uyumluluk Bildirimi

AB Uyumluluk Bildirimi

Biz, Husqvarna AB, SE-561 82 Huskvarna, İsveç, tel:
+46-36-146500 olarak tek sorumlu vasfıyla ürüne ilişkin
aşağıdaki beyanlarda bulunmaktayız:

Açıklama	Benzinli Çim Budayıcı / Çalı Tırpanı
Marka	Husqvarna
Tip/Model	122C, 122LK
Kimlik	2022 ve sonrası tarihli seri numaraları

aşağıdaki AB direktifleri ve yönetmelikleriyle tamamen
uyumludur:

Düzenleme	Açıklama
2006/42/AT	"makinelere ilgili"
2014/30/AB	"elektromanyetik uyumlulukla ilgili"
2000/14/AT	"açık alanda gürültüyle ilgili"
2011/65/AB	"belirli tehlikeli maddelerin kısıtlanmasıyla ilgili"

Aşağıdaki standartlar uygulanmıştır:

EN ISO 12100:2010, EN ISO 11806-1:2011, ISO
14982:1998, CISPR 12:2007+A1:2009, EN IEC
63000:2018

RISE SMP Svensk Maskinprovning AB, Box 7035,
SE-750 07 Uppsala, Sweden., Husqvarna AB adına
gönüllü olarak tip incelemesi gerçekleştirmiştir.

Sertifikalar şu numaralara sahiptir: 122C - SEC/10/2271,
122LK - SEC/10/2272

RISE SMP Svensk Maskinprovning AB., 2000/14/EG
konsey direktifinin V. ekiyle uyumluluğu da
doğrulamıştır.

Sertifikalar şu numaralara sahiptir: 122C - 01/164/068,
122LK - 01/164/067.

Huskvarna 2022-05-13



Claes Losdal, AR-GE Müdürü, Husqvarna AB

Teknik dokümantasyon sorumlusu

Türk ithalat şirketi daha fazla bilgi için temas edilecek:

Çullas Orman Bahçe ve Tarım Mak. San. Tic. A.Ş.

Suadiye Mh. Bağdat Cd. No:455/4

Kadıköy - 34740 İstanbul / Türkiye

Telefon: +90 216 519 88 82

Faks: +90 216 519 88 78

info@cullas.com.tr



Зміст

Вступ.....	534	Усунення несправностей.....	551
Безпека.....	536	Транспортування та зберігання.....	552
Збирання.....	541	Технічні характеристики.....	552
Експлуатація.....	543	Акcesуари.....	553
ТЕХНІЧНЕ ОБСЛУГОВУВАННЯ.....	547	Декларація відповідності.....	555

Вступ

Опис виробу

Цей виріб – тример для трави з двигуном внутрішнього згоряння.

Ми постійно працюємо над підвищенням вашої безпеки й ефективності роботи. По додаткову інформацію звертайтеся до свого сервісного дилера.

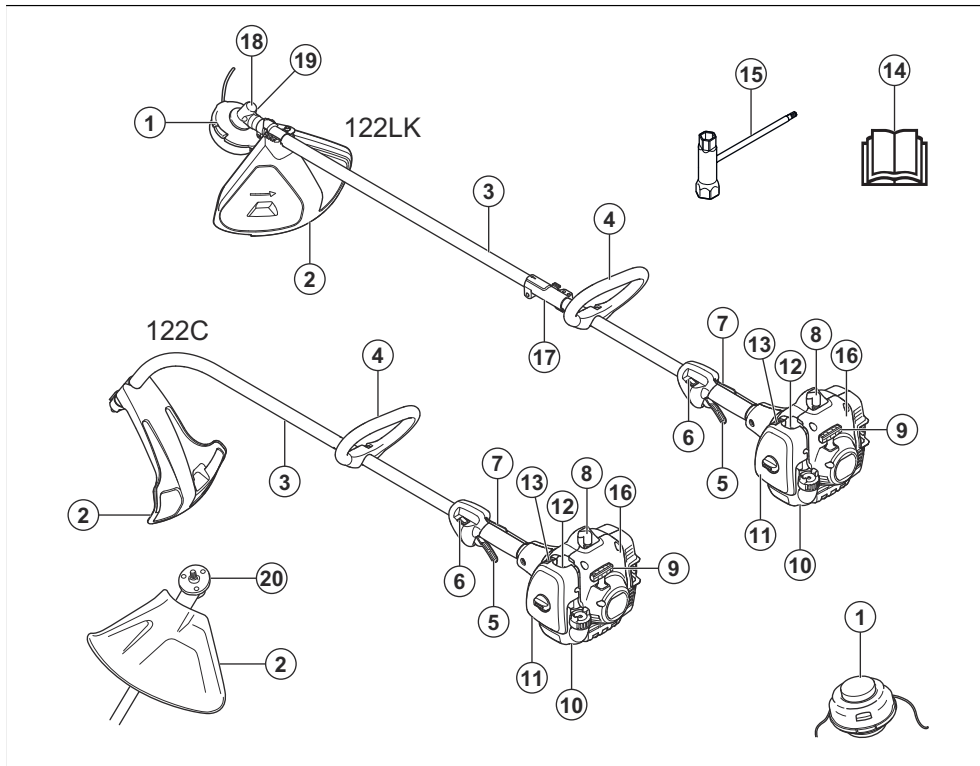
Призначення

Виріб використовується разом із головкою тримера для підстригання трави. Забороняється

використовувати виріб для інших завдань, окрім підстригання й скошування трави.

Зверніть увагу: Норми внутрішнього законодавства можуть накладати обмеження на використання цього виробу.

Огляд виробу



1. Головка тримера
2. Захисний кожух ріжучої насадки
3. Вал
4. Петельний тримач
5. Курок газу
6. Вимикач
7. Блокування курка газу
8. Ковпак свічки запалювання та свічка запалювання
9. Рукоятка стартера
10. Паливний бак
11. Кришка повітряного фільтра
12. Кнопка продувки повітря
13. Керування заслінкою.
14. Посібник користувача
15. Комбінований гайковий ключ
16. Корпус стартера
17. Муфта валів
18. Зубчаста передача
19. Ковпачок отвору для мастила, кінчна зубчаста передача
20. Приводний диск

Символи на виробі



ПОПЕРЕДЖЕННЯ! Цей виріб може бути небезпечним. Необережне або неправильне використання виробу може призвести до травм або смерті оператора чи сторонніх осіб. Щоб уникнути травмування оператора чи сторонніх осіб, уважно прочитайте всі правила техніки безпеки, наведені в цьому посібнику користувача, і дотримуйтеся них.



Перед користуванням виробом уважно прочитайте посібник користувача й переконайтеся, що ви зрозуміли всі вказівки.



На ділянках, де існує ризик падіння предметів, завжди надягайте захисний шолом. Користуйтеся відповідними захисними навушниками. Користуйтеся відповідними засобами захисту очей.



Максимальна частота обертання вихідного вала.



Виріб відповідає належним вимогам директив ЄС.



З-під виробу можуть вилітати предмети, що може призвести до травм.



Під час експлуатації виробу дистанція між вами й сторонніми особами чи тваринами повинна становити щонайменше 15 м.



Використовуйте відповідні захисні рукавиці.



Використовуйте міцні чоботи, що не ковзають.



Використовуйте лише гнучкі різальні дроти. Заборонено використовувати металеві різальні насадки.



Етикетка з інформацією щодо шумових викидів у навколишнє середовище відповідно до вимог директив і нормативних актів ЄС та Сполученого Королівства й Закону про збереження навколишнього середовища (контроль шуму) 2017 р. Нового Південного Уельсу. Гарантований рівень звукової потужності виробу вказано в розділі *Технічні характеристики на сторінці 552* і на етикетці.



Кнопка продувки повітря.



Повітряна заслінка.



Цей виріб відповідає вимогам застосованих норм Сполученого Королівства.

ууууwwxxxx

На таблиці з паспортними даними вказано серійний номер, де **уууу** – це рік виготовлення, а **ww** – тиждень виготовлення.

Зверніть увагу: Інші позначення на виробі відповідають вимогам спеціальних сертифікатів для інших торгових зон.

Відповідає вимогам європейського екологічного стандарту Євро-5



ПОПЕРЕДЖЕННЯ: Внесення змін у двигун позбавляє чинності сертифікацію ЄС для цього виробу.

Допомога клієнтам

Щоб отримати допомогу, телефонуйте:
1-800-487-5951 чи відвідати веб-сайт
www.husqvarna.com.

Безпека

Визначення щодо безпеки

Попередження, застереження й примітки служать для наголошення на особливо важливих положеннях посібника.



ПОПЕРЕДЖЕННЯ: Вказує на те, що в разі порушення інструкцій, наведених у цьому посібнику, існує небезпека поранення або смерті оператора чи інших осіб, що знаходяться поруч.



УВАГА: Вказує на те, що в разі порушення інструкцій, наведених у цьому посібнику, існує небезпека пошкодження виробу, інших матеріалів або навколишніх об'єктів.

Зверніть увагу: Використовується для надання додаткової інформації щодо певної ситуації.

Загальні правила техніки безпеки



ПОПЕРЕДЖЕННЯ: Перш ніж розпочати використання виробу, уважно прочитайте наведені нижче попередження.

- Використовуйте виріб правильно. Неправильне використання може призвести до травм або смерті. Використовуйте виріб лише для завдань, перелічених у цьому посібнику. Забороняється використовувати продукт для інших завдань.
- Дотримуйтеся інструкцій, наведених у цьому посібнику. Дотримуйтеся інструкцій, зазначених на попереджувальних знаках та в правилах

Відповідальність за якість продукції

Згідно із законом про відповідальність за якість продукції ми не несемо відповідальності за будь-які пошкодження, спричинені роботою наших виробів, якщо:

- виріб було неправильно відремонтовано;
- виріб було відремонтовано із використанням деталей, виготовлених не виробником або не затверджених ним;
- виріб обладнано аксесуаром, виготовленим не виробником або не затвердженим ним;
- виріб було відремонтовано в неавторизованому сервісному центрі або неавторизованою компанією;

техніки безпеки. Недотримання оператором інструкцій, зазначених на попереджувальних знаках та в правилах техніки безпеки, може призвести до травм, пошкоджень або смерті.

- Не викидайте цей посібник. Користуйтеся інструкціями для монтажу, експлуатації та підтримки виробу в задовільному стані. Користуйтеся інструкціями для правильного встановлення насадок та приладдя. Використовуйте лише сертифіковані насадки та приладдя.
- Не користуйтеся пошкодженим виробом. Дотримуйтеся графіка технічного обслуговування. Виконуйте лише те обслуговування, для якого наведені інструкції в цьому посібнику. Все інше обслуговування повинне виконуватися в авторизованому сервісному центрі.
- Цей посібник не включає всі ситуації, що можуть статися під час використання виробу. Будьте обережні та дотримуйтеся здорового глузду. Не експлуатуйте виріб і не виконуйте технічне обслуговування, якщо ви не можете розібратися в поточній ситуації. Більш детальну інформацію можна дізнатися в експерта з продукції, вашого дилера, центрі обслуговування або в авторизованому сервісному центрі.
- Перед монтажем, зберіганням або технічним обслуговуванням необхідно виймати свічку запалювання.
- Не використовуйте виріб у разі зміни його початкових технічних характеристик. Не заміняйте деталі виробу без дозволу виробника. Використовуйте лише деталі, схвалені виробником. Неправильне технічне обслуговування може призвести до травм або смерті.

- Не вдихайте вихлопні гази, що виходять з двигуна. Тривале вдихання вихлопних газів двигуна може бути небезпечним для здоров'я.
- Не вмикайте виріб у приміщенні чи біля легкозаймистих матеріалів. Вихлопні гази мають високу температуру та можуть містити іскри, від яких можливе загоряння. Недостатнє провітрювання може призвести до травм або смерті внаслідок задухи чи отруєння монооксидом вуглецю.
- Під час використання виробу двигун створює електромагнітне поле. Електромагнітне поле може пошкодити медичні імпланти. Перш ніж працювати з цим приладом, проконсультуйтеся з лікарем і виробником медичного імплантату.
- Не давайте використовувати прилад дітям. Не давайте використовувати прилад особам, що не ознайомилися з інструкціями.
- Завжди спостерігайте за особами з обмеженими фізичними чи розумовими можливостями, що використовують виріб. Біля виробу, що працює, повинна завжди знаходитися відповідальна доросла особа.
- Зачиняйте виріб у місці, куди не зможуть отримати доступ діти та особи, що не мають належної підготовки для використання виробу.
- З під виробу можуть викидатися предмети, що може призвести до травм. Для зменшення ризику травм або смерті дотримуйтеся правил техніки безпеки.
- Не відходьте далеко від працюючого виробу.
- Відповідальність за нещасний випадок несе оператор.
- Перед використанням виробу переконайтеся, що його деталі не мають пошкоджень.
- Перед використанням виробу переконайтеся в тому, що ви перебуваєте на відстані щонайменше 15 м (50 футів) від інших осіб або тварин. Переконайтеся в тому, що особи на прилеглий території знають, що ви збираєтеся використовувати виріб.
- Дотримуйтеся державного та місцевого законодавства. Норми законодавства можуть забороняти або обмежувати використання виробу в деяких умовах.
- Заборонено використовувати виріб, якщо ви втомлені чи перебуваєте під впливом наркотиків, алкоголю або медикаментів. Ці речовини можуть вплинути на зір, реакцію, координацію рухів або спроможність робити зважені рішення.
- Перед збиранням виробу необхідно зняти ковпак свічки запалювання зі свічки запалювання.
- Використовуйте відповідні захисні рукавиці.
- Перед запуском двигуна переконайтеся, що кришка й вал змонтовані правильно.

Правила техніки безпеки під час використання

- Перед використанням переконайтеся, що виріб повністю змонтований.
- Перед запуском пересуньте виріб на 3 м від місця, де ви заправляли його паливом. Розташуйте виріб на рівній поверхні. При цьому ріжуча насадка не повинна торкатися землі або інших предметів.
- З-під виробу можуть викидатися предмети, що може призвести до пошкодження очей. Під час експлуатації виробу завжди користуйтеся відповідними засобами захисту очей.
- Будьте обережні, адже під час експлуатації виробу до вас може без дозволу підійти дитина.
- Не використовуйте виріб, якщо на робочій ділянці знаходяться люди. Зупиніть виріб у разі, якщо на робочу ділянку зайшла особа.
- Завжди контролюйте місце знаходження виробу.
- Не використовуйте виріб, якщо немає змоги отримати допомогу в разі нещасного випадку. Перед початком експлуатації виробу переконайтеся, що інші особи знають, що ви будете працювати з виробом.
- Не обертайтеся разом з виробом, доки не переконаєтеся, що люди або тварини знаходяться в безпечній зоні.
- Перед початком роботи приберіть всі непотрібні предмети з робочої ділянки. Якщо ріжуча насадка натрапить на якийсь предмет, він може відлетіти та призвести до травм або пошкоджень. Непотрібні предмети можуть намотатися на ріжучу насадку та призвести до пошкоджень.
- Не користуйтеся виробом у погану погоду (туман, дощ, сильний вітер, якщо є ризик виникнення блискавки або за інших несприятливих погодних умов). Через погану погоду можуть утворюватися небезпечні умови (наприклад, слизькі поверхні).

Правила техніки безпеки під час монтажу



ПОПЕРЕДЖЕННЯ: Перш ніж розпочати використання виробу, уважно прочитайте наведені нижче попередження.

- Переконайтеся, що ви можете вільно переміщуватися та працювати, зберігаючи стабільне положення.



- Переконайтеся, що під час використання виробу ви не впадете. Не нахилийтеся під час експлуатації виробу.
- Завжди утримуйте виріб обома руками. Тримайте виріб праворуч.



- Використовуйте виріб лише тоді, коли ріжуча насадка знаходиться нижче рівня вашої талії.
- Якщо в момент запуску двигуна керування заслінкою знаходиться в положенні заслінки, ріжуча насадка почне обертатися.
- Не торкайтеся конічної зубчастої передачі після зупинки двигуна. Після зупинки двигуна конічна зубчаста передача має високу температуру. Контакт із гарячими поверхнями може призвести до травм.
- Перед переміщенням виробу зупиняйте двигун.
- Не кладіть працюючий виріб на землю.
- Перед тим як прибрати непотрібні предмети з виробу, зупиніть двигун та дочекайтеся зупинки ріжучої насадки. Дочекайтеся зупинки різальної насадки перед тим як ви або ваш помічник почне прибрати зрізаний матеріал.

Засоби індивідуального захисту



ПОПЕРЕДЖЕННЯ: Перш ніж розпочати використання виробу, уважно прочитайте наведені нижче попередження.

- Під час роботи з виробом завжди використовуйте сертифіковані засоби індивідуального захисту. Засоби індивідуального захисту не можуть

повністю усунути небезпеку травмування, але в разі нещасного випадку знизять ступінь тяжкості травми. Дозвольте дилеру допомогти вам із вибором підходящого обладнання.

- Надягайте захисний шолом у місцях, де є небезпека падіння предметів.
- Використовуйте сертифіковані захисні навушники, які захистять від зайвого шуму. Тривала робота за сильного шуму може призвести до погіршення слуху.
- Користуйтеся відповідними засобами захисту очей. У разі використання захисної маски необхідно додатково вдягати схвалені захисні окуляри. Схвалені захисні окуляри мають відповідати стандарту ANSI Z87.1 у США або EN 166 у країнах ЄС.
- Для захисту обличчя використовуйте маску. Для захисту очей маски недостатньо.



- За потреби використовуйте рукавиці, наприклад якщо необхідно приєднати, оглянути або почистити різальне обладнання.
- Взувайте міцне взуття з нековзною підошвою.
- Використовуйте одяг, виготовлений із міцної тканини. Завжди використовуйте довгі штани з міцної тканини й сорочку з довгими рукавами. Уникайте надто просторого одягу, який може зачепитися за сучки або гілки. Не надягайте на час роботи прикраси, короткі штани, сандалії, а також не ходіть босоніж. Заколіюйте волосся вище рівня плечей.



- Тримайте під рукою аптечку.



Механізми безпеки на пристрої

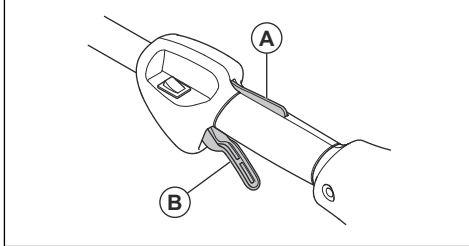


ПОПЕРЕДЖЕННЯ: Перш ніж розпочати використання виробу, уважно прочитайте наведені нижче попередження.

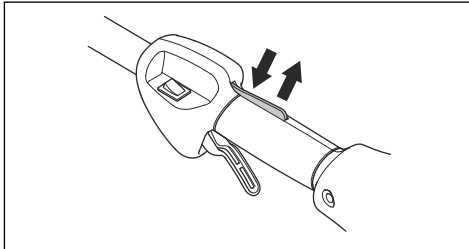
- Не використовуйте виріб із пошкодженими захисними пристроями.
- Регулярно перевіряйте захисні пристрої. Див. *Графік технічного обслуговування на сторінці 548.*
- У випадку пошкодження запобіжних механізмів зверніться до сервісного дилера Husqvarna.

Перевірка блокування курка газу

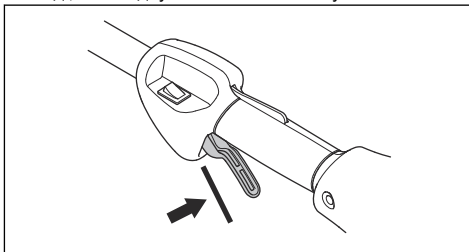
1. Перевірте, чи вільно рухається елемент блокування курка газу (А) і сам курок газу (В), та чи правильно працює зворотна пружина.



2. Натисніть елемент блокування курка газу й переконайтеся, що він повертається до початкового положення, коли ви відпускаєте його.



3. Перевірте, чи блокується курок газу на холостому ході, коли відпускається його блокування.



4. Увімкніть виріб і повністю натисніть курок газу.
5. Відпустіть курок газу та переконайтеся, що леза зупинилися й більше не рухаються.

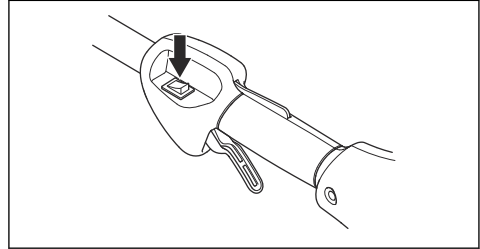


ПОПЕРЕДЖЕННЯ: Якщо ножи рухаються коли курок газу перебуває в положенні холостого ходу, потрібно відрегулювати частоту холостого ходу карбюратора. Див. *Налаштування*

швидкості холостого ходу на сторінці 548.

Перевірка вимикача

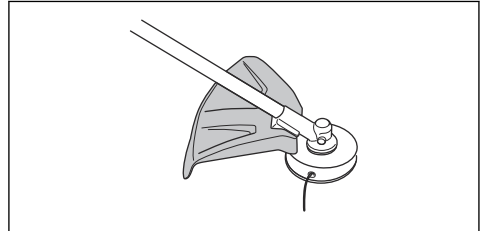
1. Запустіть двигун.
2. Пересуньте вимикач у положення «зупинити» й переконайтеся, що двигун зупинився.



Перевірка захисного кожуха ріжучої насадки

Захисний кожух ріжучої насадки захищає від викидання предметів у напрямку оператора. Також він дозволяє уникнути травм у результаті торкання ріжучої насадки.

1. Зупиніть двигун.
2. Проведіть візуальну перевірку на предмет пошкоджень на кшталт тріщин.



3. Якщо захисний кожух ріжучої насадки пошкоджений, замініть його.

Глушник

- Не запускайте двигун з пошкодженим глушником. Пошкоджений глушник збільшує рівень шуму та підвищує небезпеку загоряння. Тримайте поруч вогнегасник.
- Регулярно перевіряйте кріплення глушника до виробу.
- Не торкайтеся двигуна або глушника під час роботи двигуна. Після зупинки двигуна почекайте деякий час перш ніж торкатися двигуна або глушника. Контакт із гарячими поверхнями може призвести до травм.
- Гарячий глушник може призвести до загоряння. Будьте обережні в разі використання виробу біля легкозаймистих рідин або газів.

- Не торкайтеся частин глушника в разі його пошкодження. Ці частини можуть містити канцерогенні хімічні речовини.

Ріжуча насаддка



ПОПЕРЕДЖЕННЯ: Перш ніж розпочати використання виробу, уважно прочитайте наведені нижче попередження.

- Проводьте регулярне технічне обслуговування. Регулярний огляд, регулювання або ремонт ріжучої насадки повинен проводитися авторизованим сервісним центром.
 - Продуктивність ріжучої насадки збільшується.
 - Строк служби ріжучої насадки збільшується.
 - Небезпека виникнення нещасних випадків зменшується.
- Використовуйте лише сертифікований захисний кожух ріжучої насадки. Див. *Аксесуари на сторінці 553*.
- Не використовуйте пошкоджену різальну насадку.

Заходи безпеки під час роботи з паливом



ПОПЕРЕДЖЕННЯ: Перш ніж розпочати використання виробу, уважно прочитайте наведені нижче попередження.

- Не змішуйте паливо в приміщеннях або біля джерел тепла.
- Не запускайте виріб, якщо на ньому залишилися пальне або моторна олива. Приберіть непотрібне пальне/оливу та дайте виробу просохнути. Приберіть непотрібне пальне з виробу.
- Якщо ви пролили пальне на свій одяг, негайно переодягніться.
- Не допускайте потрапляння пального на тіло, адже це може призвести до травм. Для видалення пального, що потрапило на тіло, використовуйте мило та воду.
- Не запускайте двигун у разі потрапляння оливи або пального на виріб або тіло.
- Не запускайте виріб у разі наявності протікання у двигуні. Регулярно перевіряйте двигун на протікання.
- Будьте обережні при поводженні з паливом. Пальне є легкозаймистою речовиною, а його пари вибухонебезпечні та можуть призвести до травм або смерті.
- Не вдихайте вихлопні гази, це може призвести до травм. Забезпечте належне провітрювання.
- Не паліть біля пального або двигуна.
- Не кладіть біля пального або двигуна теплі предмети.
- Не доливайте пальне в працюючий виріб.

- Перед заправленням переконайтеся, що двигун охолонув.
- Перед заправленням повільно відкрити кришку паливного бака, обережно зменшивши тиск.
- Під час заправлення виробу та змішування палива (бензину й масла для двотактних двигунів) або спорожнення паливного бака забезпечте достатнє провітрювання.
- Паливо та його випари надзвичайно легко займаються й можуть призвести до важкої травми внаслідок вдихання чи потрапляння на шкіру. Тому будьте обережні під час поводження з паливом і переконайтеся, що забезпечено достатнє провітрювання.
- Обережно затягуйте кришку паливного бака, адже існує ризик виникнення пожежі.
- Перед запуском пересуньте виріб на 3 м від місця, де ви заправляли його.
- Не заливайте в паливний бак занадто багато палива.
- Переконайтеся у відсутності ризику протікань під час переміщення виробу або ємності для пального.
- Не залишайте виріб або ємність для пального біля відкритого вогню, джерела іскор або запальника. Переконайтеся, що в зоні зберігання відсутні джерела відкритого вогню.
- Під час переміщення або зберігання палива користуйтеся лише сертифікованими ємностями.
- Спустошуйте паливний бак перед тривалим зберіганням. Дотримуйтеся місцевого законодавства щодо утилізації пального.
- Очищуйте виріб перед тривалим зберіганням.
- Щоб двигун випадково не запустився, перед зберіганням необхідно зняти ковпак свічки запалювання.

Правила техніки безпеки під час обслуговування



ПОПЕРЕДЖЕННЯ: Перш ніж розпочати використання виробу, уважно прочитайте наведені нижче попередження.

- Перш ніж виконувати технічне обслуговування, зупиніть двигун, переконайтеся, що різальна насаддка зупинилася, і дайте виробу охолонути.
- Перед технічним обслуговуванням від'єднуйте ковпак свічки запалювання.
- Вихлопні гази з двигуна містять монооксид вуглецю, отруйний і дуже небезпечний газ без запаху, що може призвести до смерті. Не заводьте виріб у приміщенні чи в замкненому просторі.
- Вихлопні дими мають високу температуру й можуть містити іскри. Не експлуатуйте виріб у приміщенні чи біля легкозаймистих матеріалів.

- Встановлення аксесуарів, виготовлених не виробником, або внесення змін, не затверджених ним, може призвести до серйозної травми чи смерті. Вносити зміни в виріб забороняється. Використовуйте лише оригінальні додаткові аксесуари.
- Якщо не проводити правильне й регулярне технічне обслуговування, підвищується небезпека травм і пошкодження виробу.
- Виконуйте технічне обслуговування лише відповідно до рекомендацій цього посібника користувача. Усі інші операції з технічного обслуговування мають виконуватися в сертифікованому центрі обслуговування Husqvarna.
- Регулярне обслуговування виробу може проводити авторизований центр обслуговування Husqvarna.
- Замінійте пошкоджені, зношені або зламані деталі.
- Користуйтеся вказівками для різальних насадок, щоб дізнатися, як правильно встановлювати шнур і підбрати його діаметр.
- Зубці леза мають бути правильно нагострені. Дотримуйтеся наших рекомендацій. Прочитайте інструкції на упаковці леза.

Збирання

Вступ



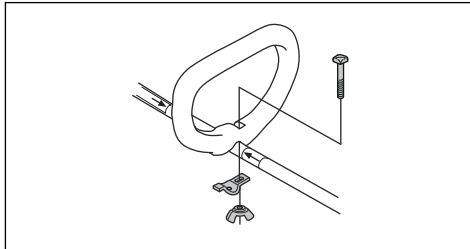
ПОПЕРЕДЖЕННЯ: Перед монтажем виробу обов'язково прочитайте й усвідомте зміст розділу про заходи безпеки.



ПОПЕРЕДЖЕННЯ: Перед збиранням виробу необхідно від'єднати кабель від свічки запалювання.

Установлення петельного тримача

1. Під'єднайте петельний тримач до вала згідно з ілюстрацією та затягніть його.

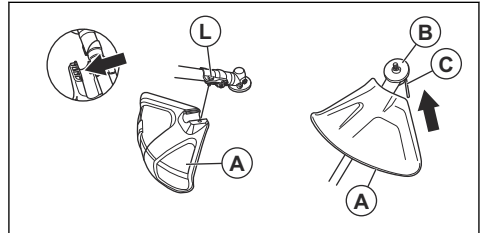


2. Переконайтеся в тому, що петельний тримач установлено між стрілками на валу.

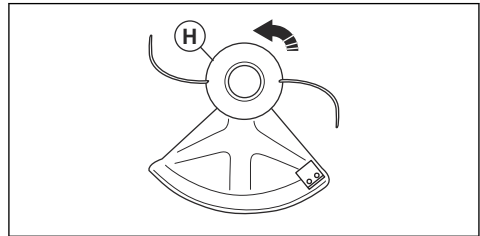
Монтаж захисного кожуха ріжучої насадки та головки тримера (прямий вал)

1. Під'єднайте захисний кожух ріжучої насадки (A) до вала за допомогою болта (L).
2. Під'єднайте приводний диск (B) до вихідного вала.
3. Обертайте вихідний вал, доки отвір приводного диску не співпаде з отвором у корпусі редуктора.

4. Вставте невелику викрутку (C) в отвір для фіксації валу.

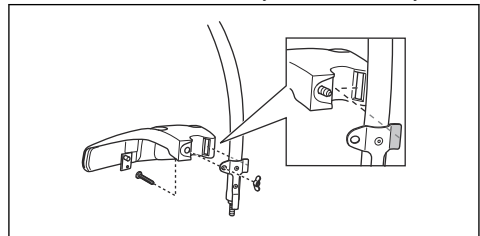


5. Поверніть головку тримера (H) проти годинникової стрілки, щоб закріпити головку з коробкою передач. (Півобічна нарізка.)

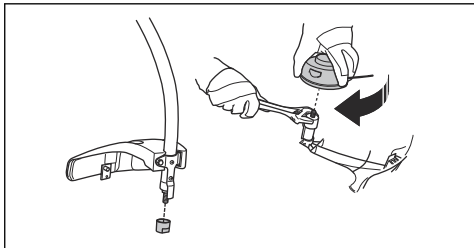


Монтаж захисного кожуха ріжучої насадки та головки тримера (зігнутий вал)

1. Під'єднайте захисний кожух. Затягніть гайку.



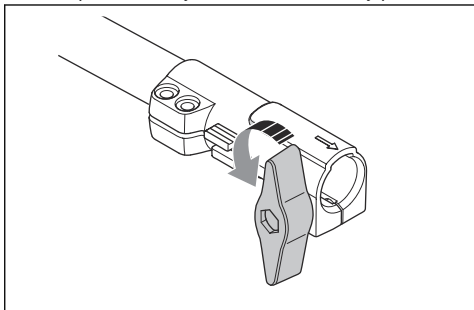
2. Під'єднайте ковпачок захисту від пилу до вала.



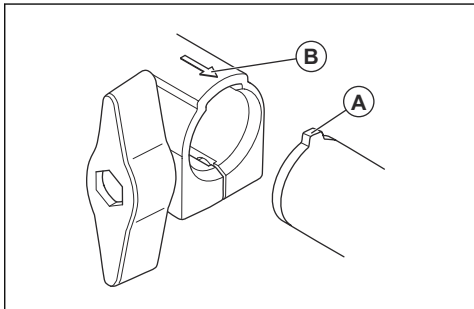
3. Утримуйте ковпачок захисту від пилу за допомогою розсувного ключа, щоб вал не обертався.
4. Під'єднайте голівку тримера до вала. Поверніть голівку тримера за годинниковою стрілкою.

Монтаж двосекційного вала

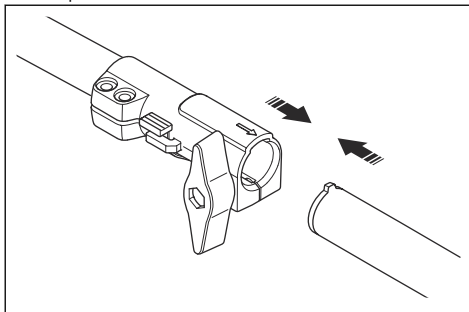
1. Поверніть голівку для послаблення муфти.



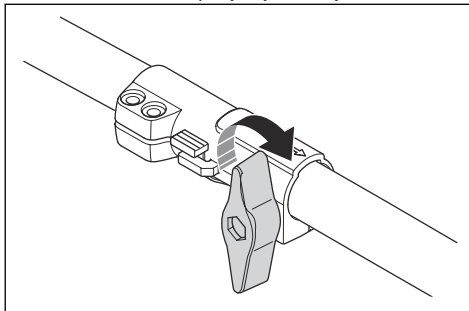
2. Вирівняйте виступ (A) зі стрілкою (B) на муфті.



3. Вставляйте вал у муфту, доки він не встане на місце.

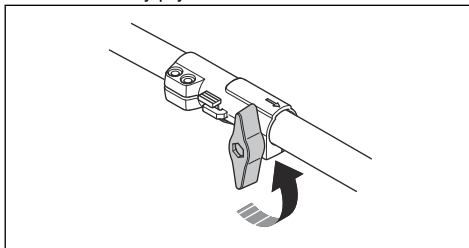


4. Надійно затягніть фіксуючу голівку.



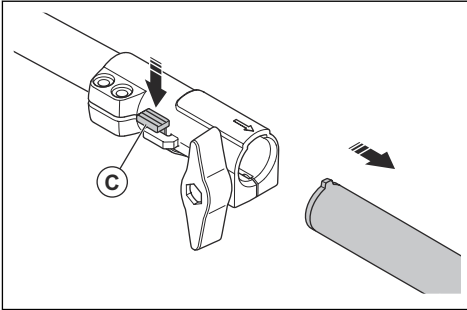
Демонтування двосекційного вала

1. Поверніть голівку на три чи більше оберти, щоб послабити муфту.



2. Натисніть та утримуйте кнопку (C).
3. Міцно тримайте кінець вала, до якого приєднано двигун.

4. Витягніть кріплення зі з'єднання, рухаючи ним по прямій.



Експлуатація

Вступ

призвести до стукоту у двигуні та його пошкодження.



ПОПЕРЕДЖЕННЯ: Перед експлуатацією виробу обов'язково прочитайте й усвідомте зміст розділу про заходи безпеки.

Паливо

Цей виріб оснащений двотактним двигуном.



УВАГА: Заправлення паливом невідповідного типу може призвести до пошкодження двигуна. Використовуйте суміш бензину й масла для двотактних двигунів.

Попередньо змішане паливо

- Для найкращої продуктивності та подовження терміну служби двигуна використовуйте попередньо змішане алкілатне паливо Husqvarna. Це паливо містить менш шкідливі хімічні речовини порівняно зі звичайним. Завдяки цьому зменшується шкідливий вплив вихлопних димів. Кількість залишків після згорання цього палива менша, завдяки чому компоненти двигуна залишаються більш чистими.

Змішування палива

Бензиновий двигун

- Використовуйте високоякісний неетилований бензин із максимальним вмістом етанолу 10 %.



УВАГА: Не використовуйте бензин з октановим числом нижче 90 RON/87 AKI. Використання бензину з нижчим октановим числом може

Масло для двотактних двигунів

- Для досягнення найкращих результатів і продуктивності використовуйте масло Husqvarna для двотактних двигунів.
- Якщо масла Husqvarna для двотактних двигунів немає, використовуйте інше високоякісне масло для двотактних двигунів із повітряним охолодженням. Щоб вибрати правильне масло, зверніться до свого дилера з обслуговування.



УВАГА: Не використовуйте оливу для двотактних двигунів із водяним охолодженням, яку також називають зовнішньою оливою. Не використовуйте масло для чотирьохтактних двигунів.

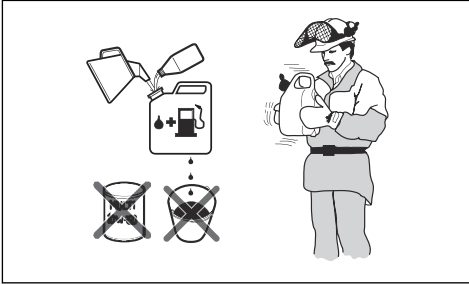
Змішування бензину та оливи для двотактних двигунів

Бензин, л	Масло для двотактних двигунів, л
	2 % (50:1)
5	0,10
10	0,20
15	0,30
20	0,40



УВАГА: У разі змішування невеликої кількості палива навіть незначні неточності можуть значно вплинути

на пропорцію суміші. Щоб отримати правильну суміш, точно вимірюйте кількість масла.



1. Влийте половину об'єму бензину в чистий резервуар для палива.
2. Додайте всю оливу.
3. Перемішайте паливну суміш.
4. Влийте решту бензину в резервуар.
5. Обережно перемішайте паливну суміш.



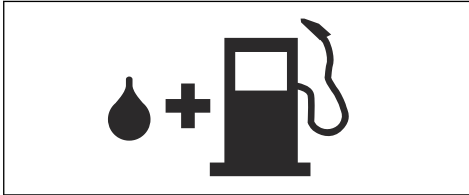
УВАГА: Не змішуйте за один раз палива більше, ніж необхідно на 1 місяць роботи.

Заправлення паливного бака



ПОПЕРЕДЖЕННЯ: Задля своєї безпеки виконуйте вказану далі процедуру.

1. Зупиніть двигун і дайте йому охолонути.
2. Витріть поверхню біля кришки паливного бака.



3. Струсіть контейнер та переконайтеся, що суміш повністю перемішана.
4. Повільно відкрутіть кришку паливного бака, щоб скинути тиск.
5. Наповніть паливний бак.



УВАГА: Упевніться, що в паливному баку не дуже багато палива. Паливо розширюється, коли стає гарячим.

6. Обережно затягніть кришку паливного бака.

7. Видаляйте пролите паливо на виробі або навколо нього.
8. Перед запуском двигуна перенесіть виріб не менш ніж на 3 метри (10 футів) від місця заправлення та ємності з паливом.

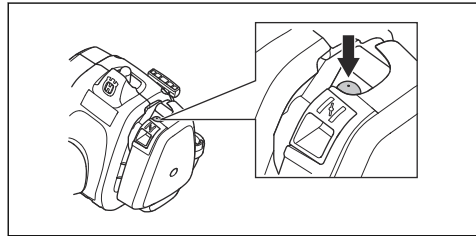
Зверніть увагу: Розташування паливного бака на виробі див. у розділі *Огляд виробу на сторінці 534*.

Перевірка перед запуском

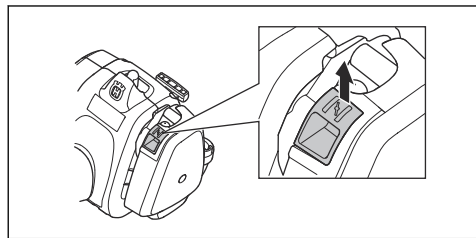
1. Перевірте виріб на предмет відсутніх, пошкоджених, погано закріплених або зношених деталей.
2. Переконайтеся, що всі гайки, гвинти та болти надійно затягнуті.
3. Переконайтеся, що головку тримера не пошкоджено.
4. Переконайтеся, що повітряний фільтр чистий.
5. Перевірка справності захисних систем виробу.
6. Переконайтеся у відсутності витоків палива з пристрою.

Запуск холодного двигуна

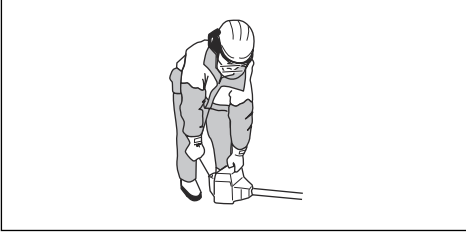
1. Натисніть кнопку продувки повітрям 10 разів.



2. Установіть важіль повітряної заслінки в закриті положення.



3. Лівою рукою притисніть корпус виробу до землі.



УВАГА: Не наступіть на виріб.

4. Повільно потягніть ручку на тросі стартера правою рукою, доки не відчуєте опір. Різко із зусиллям смикайте ручку троса стартера, доки двигун не запуститься або не намагатиметься запуститися.



ПОПЕРЕДЖЕННЯ: Не намотуйте трос стартера на руку.

5. Переведіть повітряну заслінку в робоче положення.
6. Якщо двигун запускається, злегка натисніть курок газу й дайте двигуну попрацювати та прогрітися протягом 60 секунд. Якщо двигун не запускається, смикайте ручку троса, доки двигун не запуститься. Потім злегка натисніть курок газу й дайте двигуну попрацювати та прогрітися протягом 60 секунд.



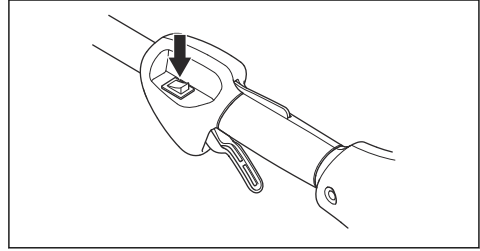
УВАГА: Не витягуйте трос стартера повністю та не відпускайте ручку на тросі стартера. Це може призвести до пошкодження виробу. Відпускайте трос стартера повільно.

Запуск теплового двигуна

1. Натисніть кнопку продувки повітрям 10 разів.
2. Потягніть трос стартера до тих пір, поки двигун не запрацює.

Зупинення виробу

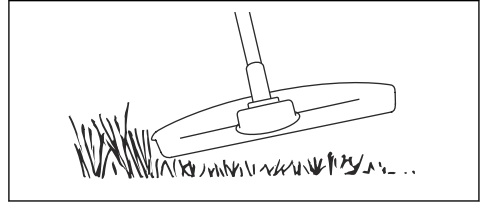
- Для зупинки двигуна натисніть вимикач.



Зверніть увагу: Вимикач автоматично повертається до початкового положення.

Підстригання трави

1. Тримайте головку тримера під кутом безпосередньо над землею. Не вдавляйте нитку тримера в траву.



2. Зменште довжину нитки тримера на 10–12 см / 4–4,75 дюйма.
3. Зменште частоту обертання двигуна, щоб зменшити ризик пошкодження рослин.
4. Під час зрізання трави поблизу предметів використовуйте 80 % потужності.



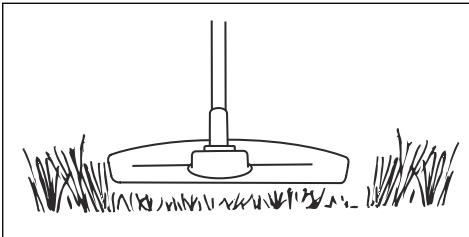
Скошування за допомогою ножа для трави

1. Ножми та різцями для трави не можна зрізувати стовбури дерев.
2. Ніж для трави використовується для косіння всіх видів високої та грубої трави.

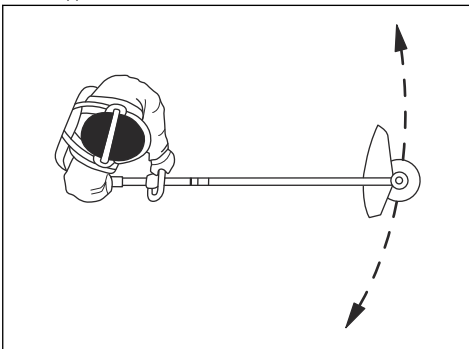
- Траву косять маятниковими рухами з боку в бік – рух справа наліво буде робочим, а зліва направо – зворотним. Ніж повинен косити траву лівим краєм (що на циферблаті годинника відповідає проміжку між 8 та 12 годинами).
- Якщо скошуючи траву нахилити ніж трохи вліво, то трава буде складатися в один ряд, що полегшить її збирання, наприклад граблями.
- Намагайтеся працювати ритмічно. Стійте впевнено, розставивши ноги. Після зворотного руху пройдіть вперед і знову займіть стійке положення.
- Опорна манжета повинна злегка прилягти на землю. Вона запобігає удару леза об землю.
- Щоб знизити ризик намотування матеріалу на лезо, завжди працюйте на повній потужності та не торкайтеся лезом скошеної трави під час зворотного руху.
- Перед тим як почати збирати зрізану траву, вимкніть двигун, зніміть ремені та покладіть інструмент на землю.

Зрізання трави

- Під час зрізання трави нитка тримера має бути паралельна землі.



- Не вдавливайте голівку тримера в землю. Це може призвести до пошкодження виробу.
- Під час зрізання трави переміщуйте виріб зі сторони в сторону. Використовуйте максимальну швидкість.



Підмітання трави

Потік повітря від нитки тримера, що обертається, можна використати для прибирання трави.

- Утримуйте головку та нитку тримера над землею й паралельно землі.
- Повністю натисніть курок газу.
- Переміщуйте головку тримера зі сторони в сторону й підмітайте таким чином траву.



ПОПЕРЕДЖЕННЯ: Очищуйте кришку головки тримера кожний раз під час встановлення нової нитки, адже це дозволить уникнути розбалансування й вібрації в рукоятках. Крім того, перевіряйте інші частини головки тримера й за необхідності очищуйте їх.

Головка тримера

- Для зменшення вібрації переконайтеся, що нитка тримера намотана на барабан щільно та рівномірно.
- Використовуйте лише сертифіковані головки та нитки косарки. Див. *Аксесуари на сторінці 553*.
- Слідкуйте за правильною довжиною нитки косарки. Для роботи з великою довжиною нитки використовується більше потужності двигуна, ніж з малою.
- Переконайтеся, що ніж на кожусі ріжучої насадки не пошкоджений.
- Перед встановленням нитки на виріб, необхідно вимочити її у воді протягом двох днів. Це збільшить строк служби нитки.
- Дотримуйтеся вказівок щодо ріжучих насадок, щоб правильно вибрати діаметр шнура й спосіб його встановлення.

ТЕХНІЧНЕ ОБСЛУГОВУВАННЯ

Вступ



ПОПЕРЕДЖЕННЯ: Перед виконанням робіт із технічного обслуговування обов'язково прочитайте

й усвідомте зміст розділу про заходи безпеки.

Для всіх робіт з обслуговування та ремонту необхідна спеціальна підготовка. Ми гарантуємо доступність послуг із професійного ремонту та обслуговування. Якщо ваш дилер не є одночасно центром обслуговування, зверніться до нього по інформацію щодо найближчого центру обслуговування.

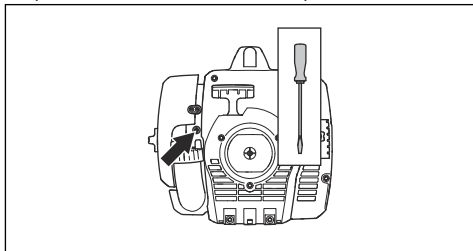
Графік технічного обслуговування

Технічне обслуговування	Щодня	Щотижня	Щомісяця
Очищення зовнішньої поверхні.	X		
Почистіть повітряний фільтр. Замініть їх, якщо це необхідно.	X		
Перевірка функціонування фіксатора курка газу й дроселя.	X		
Перевірка вимикача.	X		
Перевірка кожухів.	X		
Перевірка головки тримера.	X		
Перевірка стопорної гайки.	X		
Перевірте, чи немає витоків палива.	X		
Перевірка відцентрованості ножа для трави, його гостроти й відсутності пошкоджень леза або центрального отвору.	X		
Перевірка відсутності обертання ріжучої насадки на холостому ході.	X		
Змащування двосекційного вала.		X	
Перевірка ручки троса стартера та троса стартера.		X	
Перевірка змащування конічної зубчастої передачі.		X	
Очищення зовнішньої поверхні свічки запалювання. Зніміть свічку запалювання й виміряйте проміжок між електродами. Відрегулюйте проміжок чи замініть свічку запалювання.		X	
Очищення системи охолодження.		X	
Очистьте або замініть іскрогасник на глушнику.		X	
Очищення зовнішньої поверхні карбюратора й місця довкола нього.		X	
Перевірка паливного фільтра на забруднення.			X
Перевірка шланга подачі пального на пошкодження.			X
Перевірка всіх кабелів та з'єднань.			X
Перевірка зношення зчеплення, пружини зчеплення й барабана зчеплення.			X
Замініть свічку запалювання.			X

Налаштування швидкості холостого ходу

Перед налаштуванням швидкості холостого ходу переконайтеся, що повітряний фільтр чистий, а кришка повітряного фільтра встановлена.

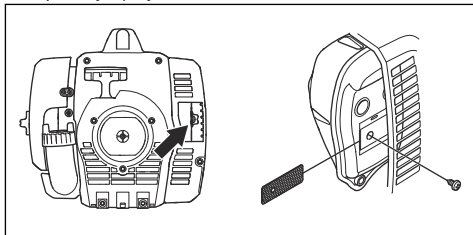
1. Повертайте гвинт частоти холостого ходу (з позначкою «Т») за годинниковою стрілкою, доки різальна насадка не почне обертатися.



2. Повертайте гвинт частоти холостого ходу (з позначкою «Т») проти годинникової стрілки, доки різальна насадка не зупиниться.
3. Частота холостого ходу має бути нижчою за частоту, на якій починає обертатися насадка. Швидкість холостого ходу відрегульована правильно, якщо двигун працює рівномірно в будь-якому положенні.

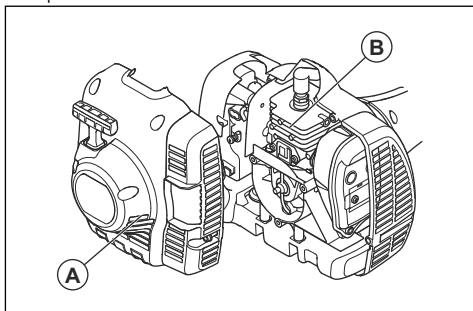
Технічне обслуговування іскрогасника

- Для очищення іскрогасника використовуйте дротяну щітку.



Очищення системи охолодження

- Очищуйте всмоктувач повітря (А) на стартері й ребра охолодження (В) на циліндрі за допомогою щітки.

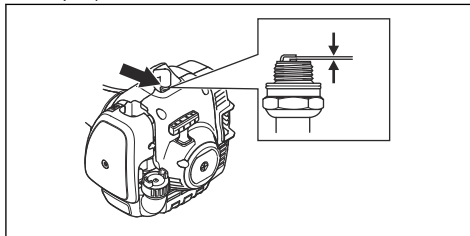


Перевірка свічки запалювання



УВАГА: Використовуйте лише рекомендовані свічки запалювання. Переконайтеся, що заміна буде відбуватися на такі ж самі деталі, що були поставлені виробником. Неправильна свічка запалювання може призвести до пошкодження виробу. Переконайтеся, що свічка запалювання має обмежувач напруги. По додаткову інформацію звертайтеся до свого сервісного дилера.

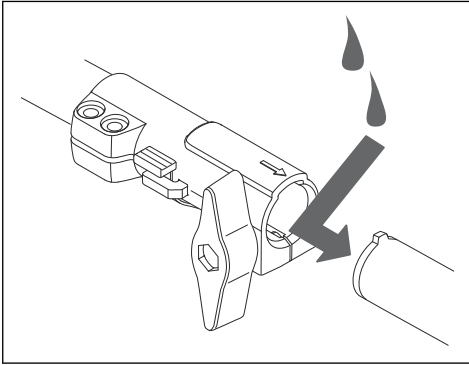
1. Перевіряйте свічку запалювання коли:
 - a) потужність двигуна низька.
 - b) двигун важко завести.
 - c) двигун працює неправильно на холостому ходу.
2. Якщо двигун важко запускається або працює, перевірте свічку запалювання на наявність зайвих предметів. Щоб зменшити ризик потрапляння зайвих предметів на електроди свічки запалювання:
 - a) переконайтеся, що швидкість холостого ходу встановлено правильно.
 - b) переконайтеся в правильності змішування паливної суміші.
 - c) переконайтеся, що повітряний фільтр чистий.
3. Якщо свічка запалювання забруднена, почищіть її. Переконайтеся, що проміжок між електродами правильний. Див. *Технічні характеристики на сторінці 552.*



4. За необхідності замініть свічку запалювання.

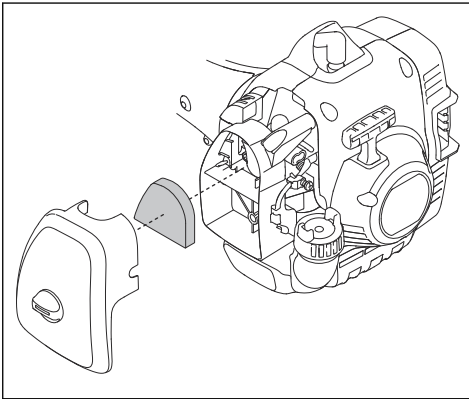
Змащування двосекційного вала

- Змащуйте кінець приводного вала кожні 30 годин роботи.



Очищення повітряного фільтра

1. Зніміть кришку повітряного фільтра та витягніть повітряний фільтр.



2. Чистити повітряний фільтр потрібно теплою мильною водою. Перед встановленням переконайтеся, що повітряний фільтр сухий.
3. Якщо повітряний фільтр занадто брудний для очищення, замініть його. Пошкоджений повітряний фільтр необхідно замінювати обов'язково.
4. Якщо ваш виріб оснащений губчастим повітряним фільтром, використовуйте оливу для повітряних фільтрів. Оливу для повітряних фільтрів слід наносити лише на губчасті фільтри. Забороняється наносити оливу на фетровий фільтр.

Нанесення оливи для повітряних фільтрів на фільтр

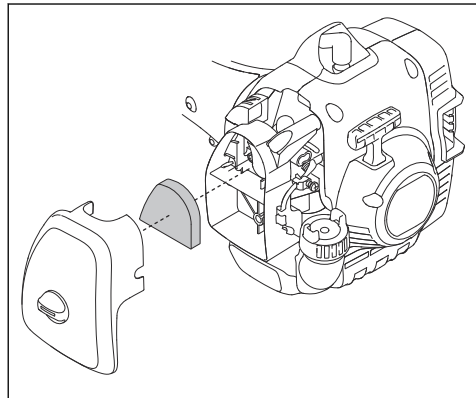


УВАГА: Для обслуговування губчастих фільтрів використовуйте лише спеціальну оливу для повітряних фільтрів. Не використовуйте інші типи оливи.

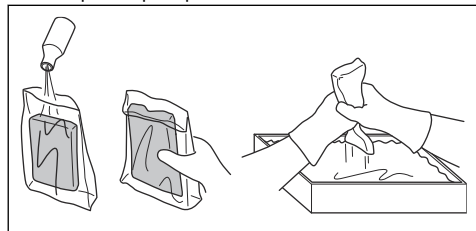


ПОПЕРЕДЖЕННЯ: Уникайте потрапляння оливи на тіло.

1. Зніміть кришку повітряного фільтра та витягніть повітряний фільтр.



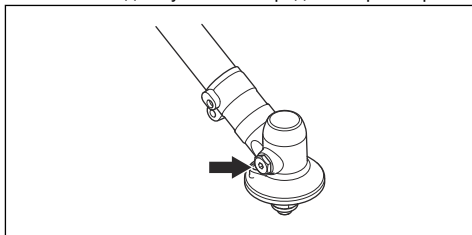
2. Покладіть повітряний фільтр у пластиковий пакет.
3. Налийте в пластиковий пакет оливу для повітряних фільтрів.



4. Натисніть на пластиковий пакет щоб переконалися, що олива рівно розповсюдиться по всьому повітряному фільтру.
5. Поки фільтр знаходиться в пакеті, натисніть на нього щоб з нього вийшла непотрібна олива. Вийміть повітряний фільтр з пакета.
6. Установіть повітряний фільтр.

Змащування конічної зубчастої передачі

- Конічна зубчаста передача має бути заповнена мастилом для зубчастих передач на три чверті.



Усунення несправностей

Двигун не запускається

Перевірка	Можлива причина	Процес
Собачки стартера.	Собачки стартера не можуть вільно рухатися.	Зніміть кришку стартера й очистьте місце навколо собачок стартера.
		Зверніться по допомогу до вповноваженого дилера з обслуговування.
Паливний бак.	Неправильний тип палива.	Спорожніть паливний бак і залийте в нього правильний тип палива.
Свічка запалювання.	Свічка запалювання брудна або волога.	Переконайтеся, що свічка запалювання суха та чиста.
	Неправильний проміжок між електродами свічки запалювання.	Чищення свічки запалювання. Переконайтеся, що проміжок між електродами правильний. Переконайтеся, що свічка запалювання має обмежувач напруги.
		Правильний проміжок між електродами див. у розділі <i>Технічні характеристики на сторінці 552</i> .
Свічка запалювання відкрутилася.	Закрутіть свічку запалювання.	

Двигун запускається, але вимикається

Перевірка	Можлива причина	Процес
Паливний бак	Неправильний тип палива.	Спорожніть паливний бак і залийте в нього правильний тип палива.
Повітряний фільтр	Засмічено повітряний фільтр.	Почистіть повітряний фільтр.

Транспортування та зберігання

- Дайте виробу охолонути, перш ніж ставити його на зберігання.
- У разі транспортування та зберігання виробу та пального необхідно переконатися у відсутності протікань та випарів. Іскри або відкритий вогонь, наприклад, від електричних пристроїв, можуть спричинити пожежу.
- Для зберігання та транспортування палива слід використовувати лише сертифіковані резервуари.
- Перед транспортуванням або тривалим зберіганням необхідно злити пальне. Утилізуйте паливо у відповідних місцях для утилізації.
- Під час транспортування й зберігання необхідно встановлювати чохол для транспортування.
- Зніміть ковпак зі свічки запалювання.
- Під час транспортування закріплюйте виріб. Переконайтеся, що виріб не рухатиметься під час транспортування.
- Перед тривалим зберіганням виріб необхідно промити й провести технічне обслуговування.

Технічні характеристики

Технічні характеристики

	122C	122LK
Двигун		
Об'єм циліндра, см ³	21,7	21,7
Холостий хід, об/хв	2900	2900
Рекомендована максимальна швидкість, об./хв.	7200	9100
Швидкість обертання вихідного валу, об./хв.	7200	6232
Потужність / макс. потужність двигуна відповідно до ISO 8893, кВт / к. с. (оберти)	0,6/0,8 за 7800	0,6/0,8 за 7800
Глушник з каталітичним конвертером	Так	Так
Система запалювання з регулюванням швидкості	Ні	Ні
Система запалювання		
Свічка запалення	HQT-4 672201	HQT-4 672201
Проміжок між електродами, мм	0,5	0,5
Паливна система		
Ємність паливного бака, л / см ³	0,3 / 300	0,3 / 300
Вага		
Вага без палива, різального устаткування і запобіжника, кг	4,4	4,8
Випромінювання шуму⁸²		
Вимірний рівень звукової потужності, дБ (А)	102	104

⁸² Випромінювання шуму в середовище, виміряне як звукова потужність (L_{WA}), відповідає директиві ЄС 2000/14/ЄС. Зазначений рівень звукової потужності виробу був вимірний з оригінальним різальним устаткуванням, що дає найвищий рівень. Різниця між гарантованим і вимірюваним рівнем звукової потужності полягає в тому, що гарантована звукова потужність включає також дисперсію результатів вимірювання та відмінності між різними виробами тієї самої моделі відповідно до Директиви 2000/14/ЄС.

	122C	122LK
Гарантований рівень звукової потужності (L_{WA}), дБ(A)	104	108
Рівні шуму ⁸³		
Еквівалентний рівень шумового тиску у вусі оператора, вимірний у відповідності до стандартів EN ISO 11806 і ISO 22868 (дБ(A)):	88	90
Рівні вібрації ⁸⁴		
Еквівалент рівня вібрації ($a_{hv, eq}$), з головою тримера, ліва ручка, m/c^2	5,0	3,6
Еквівалент рівня вібрації ($a_{hv, eq}$), з головою тримера, права ручка, m/c^2	3,6	3,5

Акcesуари

Акcesуари

122C		
Схвалені акcesуари	Тип	Захисний кожух різальної насадки
Нарізний вал	3/8 R	–
Головка тримера	T25 (Ø шнура 2,0–2,4 мм)	574 47 95-01
	T25C (Ø шнура 2,0–2,7 мм)	
	R25 (Ø шнура 2,0–2,4 мм)	
122LK		
Схвалені акcesуари	Тип	Захисний кожух різальної насадки
Нарізний вал	M10	–
Головка тримера	T25 (Ø шнура 2,0–2,4 мм)	574 19 87-01
	R25 (Ø шнура 2,0–2,4 мм)	

Наведені нижче насадки рекомендовано для використання із вказаними моделями.

Схвалене приладдя	Тип	Використовувати з
Насадка для чищення	SR600-2	122LK
Насадка для підстригання живої огорожі	HA200	122LK

⁸³ Представлені дані для еквівалентного рівня звукового тиску для виробу мають типову статистичну дисперсію (стандартне відхилення) в 1 дБ(A).

⁸⁴ Представлені дані про еквівалентний рівень вібрації мають типову статистичну дисперсію (стандартне відхилення) в 1 m/c^2 .

Схвалене приладдя	Тип	Використовувати з
Насадка для підстригання живої огорожі	HA860	122LK
Насадка-кромкоріз	ECA850, ESA860	122LK
Насадка-пилка	PA1100	122LK
Насадка-подовжувач	EX780	122LK
Насадка-культиватор	CA230	122LK
Насадка-повітродув	BA101	122LK
Насадка-щітка	BR600	122LK
Насадка-ґрунторозпушувач	DT600	122LK

Декларація відповідності

Декларація відповідності ЄС

Ми, компанія Husqvarna AB, SE-561 82 Huskvarna, Швеція, тел.: +46-36-146500, заявляємо під свою виключну відповідальність, що представлений виріб:

Опис	Бензиновий тример / травкосарка
Бренд	Husqvarna
Тип / модель	122C, 122LK
Ідентифікація	Серійні номери за 2022 рік і пізніше

повністю відповідає таким директивам і нормам ЄС:

Норма	Опис
2006/42/EC	«Про механічне обладнання»
2014/30/EU	«Про електромагнітну сумісність»
2000/14/EC	«Про випромінювання шуму від обладнання, призначеного для використання надворі»
2011/65/EU	«Про обмеження використання деяких небезпечних речовин»

Застосовано такі стандарти:

EN ISO 12100:2010, EN ISO 11806-1:2011, ISO 14982:1998, CISPR 12:2007+A1:2009, EN IEC 63000:2018

Компанія RISE SMP Svensk Maskinprovning AB, Box 7035, SE-750 07 Uppsala, Sweden, виконала добровільну перевірку за дорученням компанії Husqvarna AB.

Номери сертифікатів: 122C - SEC/10/2271, 122LK - SEC/10/2272

Крім того, RISE SMP Svensk Maskinprovning AB, затвердила відповідність додатку V директиви ради ЄС 2000/14/EG.

Номери сертифікатів: 122C - 01/164/068, 122LK - 01/164/067.

Husqvarna 2022-05-13



Клас Лосдал (Claes Losdal), директор відділу НДДКР, Husqvarna AB

Відповідальний за технічну документацію





www.husqvarna.com

Original instructions
Оригинални инструкции
Originalna uputstva
Původní pokyny
Originale instruktioner
Originalanweisungen
Αρχικές οδηγίες
Instrucciones originales
Originaaljuhend
Alkuperäiset ohjeet

Instructions d'origine
Originalne upute
Eredeti útmutatás
Istruzioni originali

Originalios instrukcijos
Lietošanas pamācība
Originele instructies
Originale instruksjoner
Oryginalne instrukcje
Instruções originais
Instrucțiuni inițiale
Оригинальные инструкции
Původné pokyny
Izvirna navodila
Originalna uputstva
Bruksanvisning i original
Orjinal talimatlar
Оригинальні інструкції



1143167-38



2022-09-02