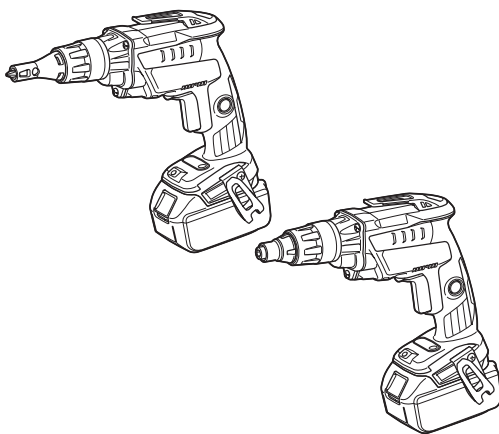




EN	Cordless Screwdriver	INSTRUCTION MANUAL	4
SV	Batteridrivnen momentskruvdragare	BRUKSANVISNING	9
NO	Batteridrevet skrutrekker	BRUKSANVISNING	14
FI	Akkukäyttöinen ruuvinväännin	KÄYTTÖOHJE	19
LV	Bezvadu skrūvgriezis	LIETOŠANAS INSTRUKCIJA	24
LT	Belaidis atsuktuvvas	NAUDOJIMO INSTRUKCIJA	29
ET	Juhtmeta kruvikeeraja	KASUTUSJUHEND	34
RU	Аккумуляторный шуруповерт	РУКОВОДСТВО ПО ЭКСПЛУАТАЦИИ	39

DFS250
DFS251



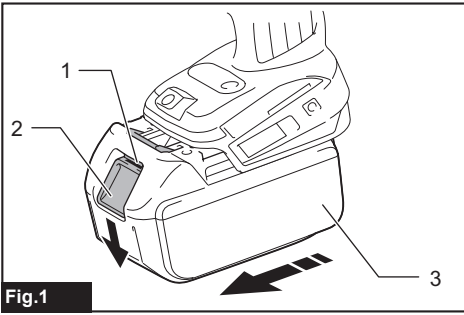


Fig.1

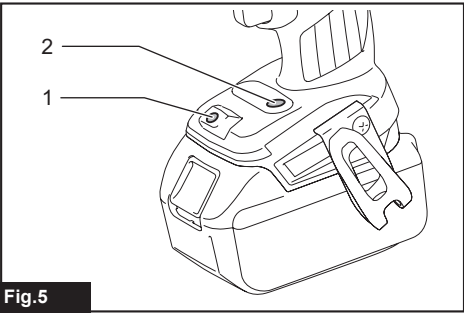


Fig.5

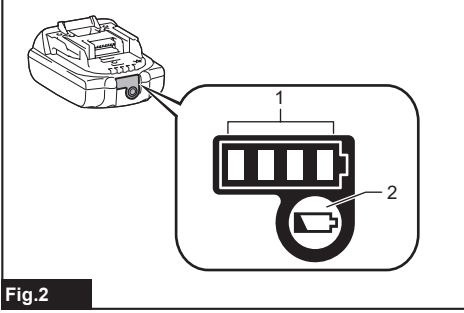


Fig.2

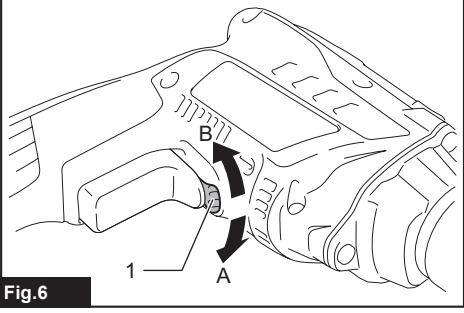


Fig.6

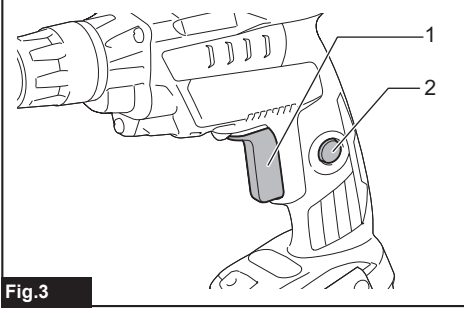


Fig.3

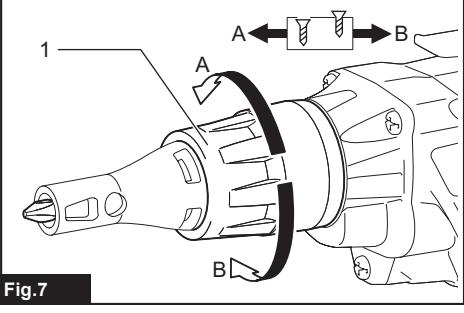


Fig.7

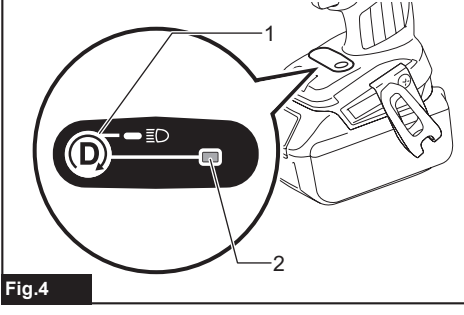


Fig.4

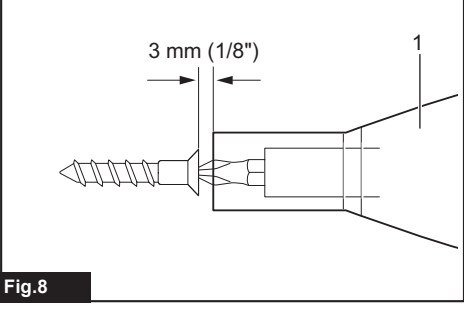


Fig.8

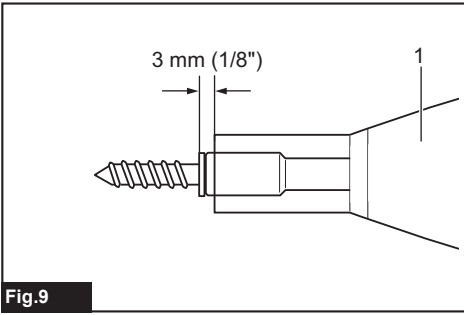


Fig.9

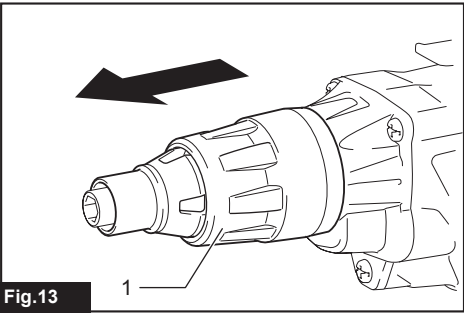


Fig.13

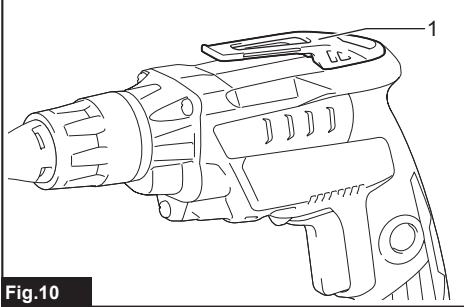


Fig.10

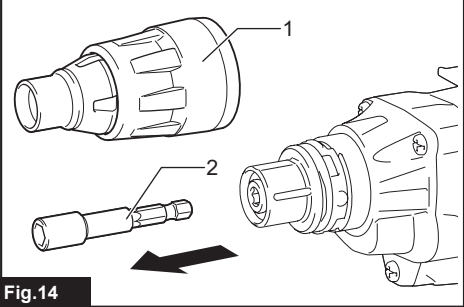


Fig.14

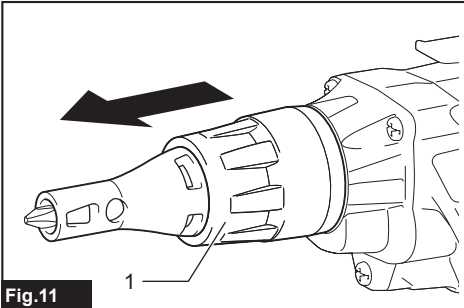


Fig.11

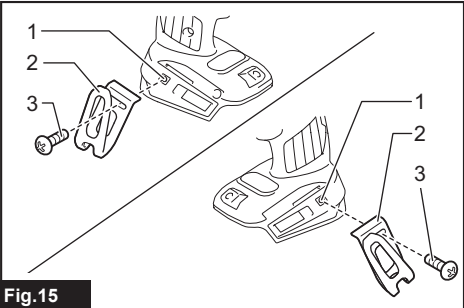


Fig.15

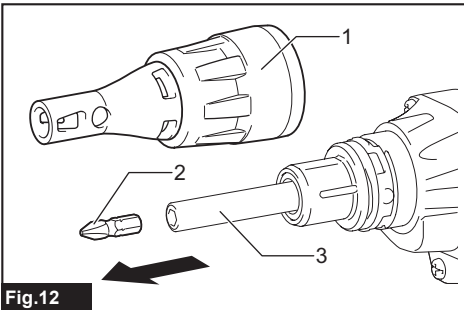


Fig.12

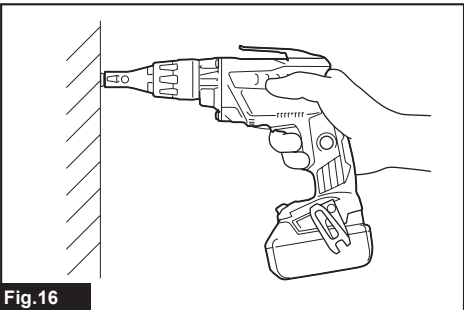


Fig.16

SPECIFICATIONS

Model:		DFS250		DFS251	
Fastening capacities	Self drilling screw	6 mm			
	Drywall screw	5 mm			
No load speed (RPM)		0 - 2,500 min ⁻¹			
Overall length	With short locator	223 mm	-		
	With long locator	239 mm	-		
Overall length		-		217 mm	
Rated voltage		D.C. 18 V			
Standard battery cartridge		BL1815 / BL1815N / BL1820 / BL1820B	BL1830 / BL1830B / BL1840 / BL1840B / BL1850 / BL1850B / BL1860B	BL1815 / BL1815N / BL1820 / BL1820B	BL1830 / BL1830B / BL1840 / BL1840B / BL1850 / BL1850B / BL1860B
Charger		DC18RC / DC18RD / DC18SE / DC18SF / DC18SD			
Net weight		1.6 kg	1.8 kg	1.5 kg	1.8 kg

- Due to our continuing program of research and development, the specifications herein are subject to change without notice.
- Specifications and battery cartridge may differ from country to country.
- Weight, with battery cartridge, according to EPTA-Procedure 01/2003

Intended use

The tool is intended for screw driving in wood, metal and plastic.

Noise

The typical A-weighted noise level determined according to EN62841:

Model DFS250

Sound pressure level (L_{pA}): 72 dB(A)

Uncertainty (K): 3 dB(A)

Model DFS251

Sound pressure level (L_{pA}): 72 dB(A)

Uncertainty (K): 3 dB(A)

The noise level under working may exceed 80 dB (A).

⚠ WARNING: Wear ear protection.

Vibration

The vibration total value (tri-axial vector sum) determined according to EN62841:

Model DFS250

Work mode: screwdriving without impact

Vibration emission (a_{hv}): 2.5 m/s² or less

Uncertainty (K): 1.5 m/s²

Model DFS251

Work mode: screwdriving without impact

Vibration emission (a_{hv}): 2.5 m/s² or less

Uncertainty (K): 1.5 m/s²

NOTE: The declared vibration emission value has been measured in accordance with the standard test method and may be used for comparing one tool with another.

NOTE: The declared vibration emission value may also be used in a preliminary assessment of exposure.

⚠ WARNING: The vibration emission during actual use of the power tool can differ from the declared emission value depending on the ways in which the tool is used.

⚠ WARNING: Be sure to identify safety measures to protect the operator that are based on an estimation of exposure in the actual conditions of use (taking account of all parts of the operating cycle such as the times when the tool is switched off and when it is running idle in addition to the trigger time).

EC Declaration of Conformity

For European countries only

The EC declaration of conformity is included as Annex A to this instruction manual.

SAFETY WARNINGS

General power tool safety warnings

⚠WARNING: Read all safety warnings, instructions, illustrations and specifications provided with this power tool. Failure to follow all instructions listed below may result in electric shock, fire and/or serious injury.

Save all warnings and instructions for future reference.

The term "power tool" in the warnings refers to your mains-operated (corded) power tool or battery-operated (cordless) power tool.

Cordless screwdriver safety warnings

1. Hold the power tool by insulated gripping surfaces, when performing an operation where the fastener may contact hidden wiring. Fasteners contacting a "live" wire may make exposed metal parts of the power tool "live" and could give the operator an electric shock.
2. Always be sure you have a firm footing. Be sure no one is below when using the tool in high locations.
3. Hold the tool firmly.
4. Keep hands away from rotating parts.
5. Do not touch the bit or the workpiece immediately after operation; they may be extremely hot and could burn your skin.
6. Always secure workpiece in a vise or similar hold-down device.

SAVE THESE INSTRUCTIONS.

⚠WARNING: DO NOT let comfort or familiarity with product (gained from repeated use) replace strict adherence to safety rules for the subject product.

MISUSE or failure to follow the safety rules stated in this instruction manual may cause serious personal injury.

Important safety instructions for battery cartridge

1. Before using battery cartridge, read all instructions and cautionary markings on (1) battery charger, (2) battery, and (3) product using battery.
2. Do not disassemble battery cartridge.
3. If operating time has become excessively shorter, stop operating immediately. It may result in a risk of overheating, possible burns and even an explosion.
4. If electrolyte gets into your eyes, rinse them out with clear water and seek medical attention right away. It may result in loss of your eyesight.

5. Do not short the battery cartridge:
 - (1) Do not touch the terminals with any conductive material.
 - (2) Avoid storing battery cartridge in a container with other metal objects such as nails, coins, etc.
 - (3) Do not expose battery cartridge to water or rain.

A battery short can cause a large current flow, overheating, possible burns and even a breakdown.
6. Do not store the tool and battery cartridge in locations where the temperature may reach or exceed 50 °C (122 °F).
7. Do not incinerate the battery cartridge even if it is severely damaged or is completely worn out. The battery cartridge can explode in a fire.
8. Be careful not to drop or strike battery.
9. Do not use a damaged battery.
10. The contained lithium-ion batteries are subject to the Dangerous Goods Legislation requirements.

For commercial transports e.g. by third parties, forwarding agents, special requirement on packaging and labeling must be observed. For preparation of the item being shipped, consulting an expert for hazardous material is required. Please also observe possibly more detailed national regulations. Tape or mask off open contacts and pack up the battery in such a manner that it cannot move around in the packaging.

11. Follow your local regulations relating to disposal of battery.

SAVE THESE INSTRUCTIONS.

⚠CAUTION: Only use genuine Makita batteries. Use of non-genuine Makita batteries, or batteries that have been altered, may result in the battery bursting causing fires, personal injury and damage. It will also void the Makita warranty for the Makita tool and charger.

Tips for maintaining maximum battery life

1. Charge the battery cartridge before completely discharged. Always stop tool operation and charge the battery cartridge when you notice less tool power.
2. Never recharge a fully charged battery cartridge. Overcharging shortens the battery service life.
3. Charge the battery cartridge with room temperature at 10 °C - 40 °C (50 °F - 104 °F). Let a hot battery cartridge cool down before charging it.
4. Charge the battery cartridge if you do not use it for a long period (more than six months).

FUNCTIONAL DESCRIPTION

CAUTION: Always be sure that the tool is switched off and the battery cartridge is removed before adjusting or checking function on the tool.

Installing or removing battery cartridge

CAUTION: Always switch off the tool before installing or removing of the battery cartridge.

CAUTION: Hold the tool and the battery cartridge firmly when installing or removing battery cartridge. Failure to hold the tool and the battery cartridge firmly may cause them to slip off your hands and result in damage to the tool and battery cartridge and a personal injury.

► Fig.1: 1. Red indicator 2. Button 3. Battery cartridge

To remove the battery cartridge, slide it from the tool while sliding the button on the front of the cartridge.

To install the battery cartridge, align the tongue on the battery cartridge with the groove in the housing and slip it into place. Insert it all the way until it locks in place with a little click. If you can see the red indicator on the upper side of the button, it is not locked completely.

CAUTION: Always install the battery cartridge fully until the red indicator cannot be seen. If not, it may accidentally fall out of the tool, causing injury to you or someone around you.

CAUTION: Do not install the battery cartridge forcibly. If the cartridge does not slide in easily, it is not being inserted correctly.

Indicating the remaining battery capacity

Only for battery cartridges with the indicator

► Fig.2: 1. Indicator lamps 2. Check button

Press the check button on the battery cartridge to indicate the remaining battery capacity. The indicator lamps light up for few seconds.

Indicator lamps			Remaining capacity
Lighted	Off	Blinking	
■	□	◐	75% to 100%
■ ■ ■ ■			
■ ■ ■	□		50% to 75%
■ ■	□ □		25% to 50%
■	□ □ □		0% to 25%
◐	□ □ □		Charge the battery.

Indicator lamps			Remaining capacity
Lighted	Off	Blinking	
■ ■ ■ ■	□ □	◐	The battery may have malfunctioned.
□ □	■ ■		

NOTE: Depending on the conditions of use and the ambient temperature, the indication may differ slightly from the actual capacity.

Tool / battery protection system

The tool is equipped with a tool/battery protection system. This system automatically cuts off power to the motor to extend tool and battery life. The tool will automatically stop during operation if the tool or battery is placed under one of the following conditions:

Overload protection

When the battery is operated in a manner that causes it to draw an abnormally high current, the tool automatically stops without any indication. In this situation, turn the tool off and stop the application that caused the tool to become overloaded. Then turn the tool on to restart.

Overheat protection

When the tool or battery is overheated, the tool stops automatically and the lamp blinks. In this case, let the tool and battery cool before turning the tool on again.

Overdischarge protection

When the battery capacity is not enough, the tool stops automatically. In this case, remove the battery from the tool and charge the battery.

Switch action

WARNING: Before installing the battery cartridge into the tool, always check to see that the switch trigger actuates properly and returns to the "OFF" position when released.

► Fig.3: 1. Switch trigger 2. Lock button

To start the tool, simply pull the switch trigger. Tool speed is increased by increasing pressure on the switch trigger. Release the switch trigger to stop.

For continuous operation, pull the switch trigger, push in the lock button and then release the switch trigger. To stop the tool from the locked position, pull the switch trigger fully, then release it.

CAUTION: Switch can be locked in "ON" position for ease of operator comfort during extended use. Apply caution when locking tool in "ON" position and maintain firm grasp on tool.

NOTE: Even with the switch on and motor running, the driver bit does not rotate. Push the tool forward to engage the clutch.

NOTE: The tool automatically stops if the motor keeps rotating for about 6 minutes.

Push drive mode

► **Fig.4:** 1. Button 2. Mode indicator

This tool has push drive mode. In this mode, the tool cuts off power to the motor to save the battery power at idle.

To select push drive mode, pull the trigger slightly, then release it and quickly press the button. The mode indicator will then light up.

Once push drive is activated, pull the switch trigger and then push the lock button. Apply pressure to the driver bit and the motor will start rotating. Further pressure engages the clutch and the driver bit will start rotating. In push drive mode, the motor and the driver bit will only rotate by applying pressure.

NOTE: If the tool does not run for about 8 hours in push drive mode with the trigger locked on, tool is shutdown. In such a case, release and pull the trigger again for restarting.

Lighting up the front lamp

CAUTION: Do not look in the light or see the source of light directly.

► **Fig.5:** 1. Lamp 2. Button

To turn on the lamp, slightly pull the switch trigger, and then release it. The lamp goes out approximately 10 seconds after releasing the switch trigger.

To keep turning off the light, slightly pull the switch trigger, then release it, and then press the button for a few seconds. To turn on the light, perform the same operation again.

In push drive mode with the switch trigger locked, the lamp goes out approximately one minute after the motor stops.

NOTE: While pulling the switch trigger, the lamp status cannot be changed.

NOTE: For approximately 10 seconds after releasing the switch trigger, the lamp status can be changed.

NOTE: Use a dry cloth to wipe the dirt off the lens of the lamp. Be careful not to scratch the lens of lamp, or it may lower the illumination.

Reversing switch action

► **Fig.6:** 1. Reversing switch lever

CAUTION: Always check the direction of rotation before operation.

CAUTION: Use the reversing switch only after the tool comes to a complete stop. Changing the direction of rotation before the tool stops may damage the tool.

CAUTION: When not operating the tool, always set the reversing switch lever to the neutral position.

This tool has a reversing switch to change the direction of rotation. Move the reversing switch lever to the position ⇐ (A side) for clockwise rotation or to the position ⇒ (B side) for counterclockwise rotation. When the reversing switch lever is in the neutral position, the switch trigger cannot be pulled.

Depth adjustment

► **Fig.7:** 1. Locator

The depth can be adjusted by turning the locator. Turn it in "B" direction for less depth and in "A" direction for more depth. One full turn of the locator equals 2 mm (1/16") change in depth.

For DFS250

► **Fig.8:** 1. Locator

For DFS251

► **Fig.9:** 1. Locator

Adjust the locator so that the distance between the tip of the locator and the screw head is approximately 3 mm (1/8") as shown in the figures. Drive a trial screw into your material or a piece of duplicate material. If the depth is still not suitable for the screw, continue adjusting until you obtain the proper depth setting.

Hook

CAUTION: Always remove the battery when hanging the tool with the hook.

CAUTION: Never hook the tool at high location or on potentially unstable surface.

► **Fig.10:** 1. Hook

The hook is convenient for temporarily hanging the tool.

ASSEMBLY

CAUTION: Always be sure that the tool is switched off and the battery cartridge is removed before carrying out any work on the tool.

Installing or removing driver bit/ socket bit

For DFS250

► **Fig.11:** 1. Locator

► **Fig.12:** 1. Locator 2. Driver bit 3. Magnetic bit holder

To remove the driver bit, pull the locator, and then grasp the bit with a pair of pliers and pull the bit out of the magnetic bit holder. To install the driver bit, push it firmly into the magnetic bit holder. Then install the locator by pushing it firmly back.

For DFS251

► Fig.13: 1. Locator

► Fig.14: 1. Locator 2. Socket bit

To remove the socket bit, pull the locator, and then pull the socket bit. To install the socket bit, push it firmly into the sleeve. Then install the locator by pushing it firmly back.

Hook

► Fig.15: 1. Groove 2. Hook 3. Screw

The hook is convenient for temporarily hanging the tool. This can be installed on either side of the tool.

To install the hook, insert it into a groove in the tool housing on either side and then secure it with a screw. To remove, loosen the screw and then take it out.

OPERATION

Screwdriving operation

► Fig.16

Fit the screw on the point of the bit and place the point of the screw on the surface of the workpiece to be fastened. Apply pressure to the tool and start it. Withdraw the tool as soon as the clutch cuts in. Then release the switch trigger.

CAUTION: When fitting the screw onto the point of the bit, be careful not to push in on the screw. If the screw is pushed in, the clutch will engage and the screw will rotate suddenly. This could damage a workpiece or cause an injury.

CAUTION: Make sure that the bit is inserted straight in the screw head, or the screw and/or bit may be damaged.

MAINTENANCE

CAUTION: Always be sure that the tool is switched off and the battery cartridge is removed before attempting to perform inspection or maintenance.

NOTICE: Never use gasoline, benzine, thinner, alcohol or the like. Discoloration, deformation or cracks may result.

To maintain product SAFETY and RELIABILITY, repairs, any other maintenance or adjustment should be performed by Makita Authorized or Factory Service Centers, always using Makita replacement parts.

OPTIONAL ACCESSORIES

CAUTION: These accessories or attachments are recommended for use with your Makita tool specified in this manual. The use of any other accessories or attachments might present a risk of injury to persons. Only use accessory or attachment for its stated purpose.

If you need any assistance for more details regarding these accessories, ask your local Makita Service Center.

- Driver bits
- Magnetic bit holder
- Socket bits
- Makita genuine battery and charger
- Plastic carrying case

NOTE: Some items in the list may be included in the tool package as standard accessories. They may differ from country to country.

SPECIFIKATIONER

Modell:		DFS250		DFS251	
Åtdragningskapaciteter	Självborrande skruv	6 mm			
	Gipsskruv	5 mm			
Hastighet utan belastning (rpm)		0 - 2 500 min ⁻¹			
Total längd	Med kort djupanslag	223 mm	-		
	Med långt djupanslag	239 mm	-		
Total längd		-	217 mm		
Märkspänning		18 V likström			
Standardbatterikassett		BL1815 / BL1815N / BL1820 / BL1820B	BL1830 / BL1830B / BL1840 / BL1840B / BL1850 / BL1850B / BL1860B	BL1815 / BL1815N / BL1820 / BL1820B	BL1830 / BL1830B / BL1840 / BL1840B / BL1850 / BL1850B / BL1860B
Laddare		DC18RC / DC18RD / DC18SE / DC18SF / DC18SD			
Nettovikt		1,6 kg	1,8 kg	1,5 kg	1,8 kg

- På grund av vårt pågående program för forskning och utveckling kan dessa specifikationer ändras utan föregående meddelande.
- Specifikationer och batterikassett kan variera mellan olika länder.
- Vikt, med batterikassett, i enlighet med EPTA-procedure 01/2003

Avsedd användning

Verktyget är avsett för skruvdragnings i trä, metall och plast.

Buller

Den normala bullernivån för A-belastning är bestämd enligt EN62841:

Model DFS250

Ljudtrycksnivå (L_{pA}): 72 dB (A)

Måttolerans (K): 3 dB (A)

Model DFS251

Ljudtrycksnivå (L_{pA}): 72 dB (A)

Måttolerans (K): 3 dB (A)

Bullernivån vid arbete kan överstiga 80 dB (A).

⚠ VARNING: Använd hörselskydd.

Vibration

Det totala vibrationsvärdet (treaxlad vektorsumma) bestämt enligt EN62841:

Model DFS250

Arbetsläge: skruva utan slagläge

Vibrationsemission (a_h): 2,5 m/s² eller lägre

Måttolerans (K): 1,5 m/s²

Model DFS251

Arbetsläge: skruva utan slagläge

Vibrationsemission (a_h): 2,5 m/s² eller lägre

Måttolerans (K): 1,5 m/s²

OBS: Det deklarerade vibrationsemissionsvärdet har uppmätts i enlighet med standardtestmetoden och kan användas för att jämföra en maskin med en annan.

OBS: Det deklarerade vibrationsemissionsvärdet kan också användas i en preliminär bedömning av exponering för vibration.

⚠ VARNING: Vibrationsemissionen under faktisk användning av maskinen kan skilja sig från det deklarerade emissionsvärdet, beroende på hur maskinen används.

⚠ VARNING: Var noga med att identifiera säkerhetsåtgärder för att skydda användaren, vilka är grundade på en uppskattning av graden av exponering för vibrationer under de faktiska användningsförhållandena, (ta, förutom avtryckartiden, med alla delar av användarcykeln i beräkningen, som till exempel tiden då maskinen är avstängd och när den går på tomgång).

EG-försäkran om överensstämmelse

Gäller endast inom EU

EG-försäkran om överensstämmelse inkluderas som bilaga A till denna bruksanvisning.

SÄKERHETSVARNINGAR

Allmänna säkerhetsvarningar för maskiner

⚠ VARNING: Läs alla säkerhetsvarningar, anvisningar, illustrationer och specifikationer som medföljer det här maskinen. Underlåtenhet att följa instruktionerna kan leda till elstöt, brand och/eller allvarliga personskador.

Spara alla varningar och instruktioner för framtida referens.

Termen "maskin" som anges i varningarna hänvisar till din eldrivna maskin (sladdansluten) eller batteridrivna maskin (sladdlös).

Säkerhetsvarningar för batteridriven skruvdragare

1. Håll maskinen i de isolerade ytorna om det finns risk för att skruvdragaren kan komma i kontakt med en dold elkabel. Om skruvdragaren kommer i kontakt med en strömförande ledning blir maskinens metalldelar strömförande och kan ge operatören en elektrisk stöt.
2. Se till att alltid ha ordentligt fotfäste. Se till att ingen står under dig när verktyget används på hög höjd.
3. Håll verktyget i ett fast grepp.
4. Håll händerna på behörigt avstånd från roterande delar.
5. Rör inte vid borrh eller arbetsstycke omedelbart efter användning eftersom de kan vara extremt varma och orsaka brännskador.
6. Fäst alltid arbetsstycken i ett stad eller liknande fasthållningsanordningar.

SPARA DESSA ANVISNINGAR.

⚠ VARNING: GLÖM INTE att också fortsättningsvis strikt följa säkerhetsanvisningarna för maskinen även efter att du blivit van att använda den.

Vid FELAKTIG HANTERING av maskinen eller om inte säkerhetsanvisningarna i denna bruksanvisning följs kan följden bli allvarliga personskador.

Viktiga säkerhetsanvisningar för batterikassetten

1. Innan batterikassetten används ska alla instruktioner och varningsmärken på (1) batteriladdaren, (2) batteriet och (3) produkten läsas.
2. Montera inte isär batterikassetten.
3. Om drifttiden blivit avsevärt kortare ska användningen avbrytas omedelbart. Det kan uppstå överhettning, brännskador och t o m en explosion.

4. Om du får elektrolyt i ögonen ska de sköljas med rent vatten och läkare uppsöks omedelbart. Det finns risk för att synen förloras.
5. Kortslut inte batterikassetten.
 - (1) Rör inte vid polerna med något strömförande material.
 - (2) Undvik att förvara batterikassetten tillsammans med andra metallobjekt som t.ex. spikar, mynt o.s.v.
 - (3) Skydda batteriet mot vatten och regn. En batterikortslutning kan orsaka ett stort strömflöde, överhettning, brand och maskinhaveri.
6. Förvara inte maskinen och batterikassetten på platser där temperaturen kan nå eller överstiga 50 °C.
7. Bränn inte upp batterikassetten även om den är svårt skadad eller helt utsliten. Batterikassetten kan explodera i öppen eld.
8. Var försiktig så att du inte råkar tappa batteriet och utsätt det inte för stötar.
9. Använd inte ett skadat batteri.
10. De medföljande litiumjonbatterierna är föremål för kraven i gällande lagstiftning för farligt gods.
För kommersiella transporter (av t.ex. tredje parter som speditorsfirmor) måste de särskilda transportkrav som anges på emballaget och etiketter iakttas.
För att förbereda den produkt som ska avsändas krävs att du konsulterar en expert på riskmaterial. Var också uppmärksam på att det i ditt land kan finnas ytterligare föreskrifter att följa.
Tejpa över eller maskera blottade kontakter och packa batteriet på sådant sätt att det inte kan röra sig fritt i förpackningen.
11. Följ lokala föreskrifter beträffande avfallshandling av batteriet.

SPARA DESSA ANVISNINGAR.

⚠ FÖRSIKTIGT: Använda endast äkta Makita-batterier. Användning av oäkta Makita-batterier eller batterier som har manipulerats kan leda till person- och utrustningsskador eller till att batteriet fattar eld. Det upphäver också Makitas garanti för verktyget och laddaren.

Tips för att uppnå batteriets maximala livslängd

1. Ladda batterikassetten innan den är helt urladdad. Stanna alltid maskinen och ladda batterikassetten när du märker att maskinen blir svagare.
2. Ladda aldrig en fulladdad batterikasset. Överladdning förkortar batteriets livslängd.
3. Ladda batterikassetten vid en rumstemperatur på 10 °C - 40 °C. Låt en varm batterikasset svalna innan den laddas.
4. Ladda batterikassetten om du inte har använt den på länge (mer än sex månader).

FUNKTIONSBESKRIVNING

⚠ FÖRSIKTIGT: Se alltid till att maskinen är avstängd och batterikassetten borttagen innan du justerar maskinen eller kontrollerar dess funktioner.

Montera eller demontera batterikassetten

⚠ FÖRSIKTIGT: Stäng alltid av maskinen innan du monterar eller tar bort batterikassetten.

⚠ FÖRSIKTIGT: Håll stadigt i maskinen och batterikassetten när du monterar eller tar bort batterikassetten. I annat fall kan det leda till att de glider ur dina händer och orsakar skada på maskinen och batterikassetten samt personskada.

► **Fig.1:** 1. Röd indikator 2. Knapp 3. Batterikassett

Ta bort batterikassetten genom att skjuta ner knappen på kassetens framsida samtidigt som du drar ut batterikassetten.

Sätt in batterikassetten genom att rikta in tungan på batterikassetten mot spåret i höljet och skjut den på plats. Tryck in batterikassetten ordentligt tills den låser fast med ett klick. Om du kan se den röda indikatorn på knappens ovansida är den inte låst ordentligt.

⚠ FÖRSIKTIGT: Sätt alltid in batterikassetten helt tills den röda indikatorn inte längre syns. I annat fall kan den oväntat falla ur maskinen och skada dig eller någon annan.

⚠ FÖRSIKTIGT: Montera inte batterikassetten med våld. Om kassetten inte lätt glider på plats är den felinsatt.

Indikerar kvarvarande batterikapacitet

Endast för batterikassetter med indikator

► **Fig.2:** 1. Indikatorlampor 2. Kontrollknapp

Tryck på kontrollknappen på batterikassetten för att se kvarvarande batterikapacitet. Indikatorlamporna lyser i ett par sekunder.

Indikatorlampor			Kvarvarande kapacitet
Upplyst	Av	Blikar	
■	□	◐	75% till 100%
■ ■ ■ ■	■ ■ ■ ■	■ ■ ■ ■	
■ ■ ■ ■	■ ■ ■ ■	□ □ □ □	50% till 75%
■ ■ ■ ■	■ ■ ■ ■	□ □ □ □	25% till 50%
■ ■ ■ ■	□ □ □ □	□ □ □ □	0% till 25%
◐	□ □ □ □	□ □ □ □	Ladda batteriet.
■ ■ ■ ■	□ □ □ □	■ ■ ■ ■	Batteriet kan ha skadats.
□ □ □ □	□ □ □ □	■ ■ ■ ■	

OBS: Beroende på användningsförhållanden och den omgivande temperaturen kan indikationen skilja sig lätt från den faktiska batterikapaciteten.

Skyddssystem för maskinen/batteriet

Verktyget är utrustat med ett skyddssystem för verktyget/batteriet. Detta system bryter automatiskt strömmen till motorn för att förlänga verktygets och batteriets livslängd. Verktyget stoppar automatiskt under användningen om verktyget eller batteriet hamnar i en av följande situationer:

Överbelastningsskydd

Om batteriet används på ett sätt som gör att det drar onormalt mycket ström kan det stoppas automatiskt under någon varning. När detta sker stänger du av verktyget och upphör med arbetet som gjorde att verktyget överbelastades. Starta därefter verktyget igen.

Överhettningsskydd

När verktyget eller batteriet överhettas stoppas det automatiskt och lampan börjar blinka. I sådant fall ska du låta verktyget och batteriet svalna innan du startar verktyget igen.

Överurladdningsskydd

När batteriets kapacitet är otillräcklig stoppar maskinen automatiskt. I sådant fall ska batteriet tas ur maskinen och laddas.

Avtryckarens funktion

⚠ VARNING: Innan du sätter in batterikassetten i maskinen ska du kontrollera att avtryckaren fungerar och återgår till läget "OFF" när du släpper den.

► **Fig.3:** 1. Avtryckare 2. Säkerhetsknapp

Tryck in avtryckaren för att starta verktyget. Hastigheten ökas genom att trycka hårdare på avtryckaren. Släpp avtryckaren för att stoppa maskinen.

För kontinuerlig användning håller du avtryckaren intryckt, skjuter in låsknappen och släpper därefter avtryckaren. Tryck in avtryckaren helt och släpp den sedan för att stoppa maskinen när den är i låst läge.

⚠ FÖRSIKTIGT: Knappen kan låsas i läget "ON" för att underlätta användning när maskinen används under en längre tid. Var försiktig när du låser maskinen i läget "ON", och fortsätt hålla ett stadigt grepp om maskinen.

OBS: Monterat skruvbits roterar inte även om avtryckaren är intryckt och motorn är igång. Tryck maskinen framåt för att aktivera kopplingen.

OBS: Maskinen stoppar automatiskt om motorn fortsätter att rotera i ca 6 minuter.

Tryckaktiveringsläge

► Fig.4: 1. Knapp 2. Lägesindikator

Denna maskin har ett tryckaktiveringsläge. I detta läge stänger maskinen av strömmen till motorn för att spara batteriladdning i viloläge.

För att välja tryckaktiveringsläge, tryck lätt in avtryckaren, släpp den och tryck snabbt på knappen. Därefter tänds lägesindikatorn.

När tryckaktiveringsläget är aktiverat trycker du in avtryckaren och därefter på låsknappen. Lägg på tryck på skruvbitset och motorn börjar rotera. Genom att lägga på mer tryck aktiveras kopplingen och skruvbitset börjar rotera. I tryckaktiveringsläge roterar bara motorn och bitset när du lägger på tryck.

OBS: Om maskinen inte körs under cirka 8 timmar i tryckaktiveringsläge med avtryckaren låst i på läge, stängs maskinen av. Om så sker, släpp och tryck in avtryckaren igen för att starta om.

Tända frontlampan

⚠ FÖRSIKTIGT: Titta inte in i ljuset eller direkt i ljuskällan.

► Fig.5: 1. Lampa 2. Knapp

För att tända lampan trycker du lätt in avtryckaren och släpper den. Lampan slocknar ungefär 10 sekunder efter att du har släppt avtryckaren.

För att hålla lampan släckt trycker du lätt in avtryckaren, släpper den och därefter håller du in knappen i några sekunder. För att tända lampan igen upprepar du samma procedur.

Lampan släcks cirka en minut efter att motorn har stoppat när maskinen är i tryckaktiveringsläge med låst avtryckare.

OBS: När avtryckaren är intryckt kan lampstatusen inte ändras.

OBS: Efter cirka 10 sekunder efter att avtryckaren släppts kan lampstatusen ändras.

OBS: Använd en torr trasa för att torka bort smuts från lampglaset. Var försiktig så att inte lampglaset repas eftersom ljuset då kan bli svagare.

Reverseringsspakens funktion

► Fig.6: 1. Reverseringsspak

⚠ FÖRSIKTIGT: Kontrollera alltid rotationsriktningen före användning.

⚠ FÖRSIKTIGT: Använd endast reverseringsknappen när maskinen har stoppat helt. Maskinen kan skadas om du byter rotationsriktning medan den fortfarande roterar.

⚠ FÖRSIKTIGT: Ställ alltid in reverseringsspaken i neutralt läge när du inte använder maskinen.

Denna maskin har en reverseringsknapp för byte av rotationsriktning. Flytta reverseringsknappen till läget ⇐ (A-sidan) för medurs rotation eller till läget ⇨ (B-sidan) för moturs rotation.

När reverseringsspaken är i neutralt läge fungerar inte avtryckaren.

Djupinställning

► Fig.7: 1. Djupanslag

Djupet justeras genom att vrida på djupanslaget. Vrid det i riktning "B" för mindre djup och i riktning "A" för större djup. Ett varv motsvarar en ändring på 2 mm (1/16") av djupet.

För DFS250

► Fig.8: 1. Djupanslag

För DFS251

► Fig.9: 1. Djupanslag

Justera djupanslaget så att avståndet mellan kanten på djupanslaget och skruvhuvudet är cirka 3 mm (1/8"), såsom visas i figurerna. Skruva i en provskruv i ditt arbetsstycke eller i ett annat stycke av samma material. Om djupet inte passar skruven fortsätt då att justera tills du får den korrekta djupinställningen.

Krok

⚠ FÖRSIKTIGT: Ta alltid bort batteriet när du hänger upp maskinen med kroken.

⚠ FÖRSIKTIGT: Häng aldrig upp maskinen på hög höjd eller på platser som inte är helt stabila.

► Fig.10: 1. Krok

Haken kan användas när du vill hänga upp verktyget temporärt.

MONTERING

⚠ FÖRSIKTIGT: Se alltid till att maskinen är avstängd och batterikassetten borttagen innan du underhåller maskinen.

Montering eller demontering av skruvbits eller hylsbits

För DFS250

► Fig.11: 1. Djupanslag

► Fig.12: 1. Djupanslag 2. Skruvbits 3. Magnetisk bitshållare

För att ta ur skruvbitets, dra i djupanslaget, fatta tag i bitset med en tång och dra ut det ur den magnetiska bitshållaren. Montera skruvbitset genom att trycka in det ordentligt i den magnetiska bitshållaren. Montera sedan djupanslaget genom att trycka det stadigt bakåt.

För DFS251

► Fig.13: 1. Djupanslag

► Fig.14: 1. Djupanslag 2. Hylsbits

För att ta bort hylsbitset drar du i djupanslaget och drar ut hylsbitset. Montera hylsbitset genom att trycka in det kraftigt i hylsan. Montera sedan djupanslaget genom att trycka det stadigt bakåt.

Krok

► **Fig.15:** 1. Spår 2. Krok 3. Skruv

Haken kan användas när du vill hänga upp verktyget temporärt. Den kan monteras på båda sidorna av maskinen.

För att montera kroken sätter du i den i ett spår i maskinhuset på endera sida och drar fast den med en skruv. Ta bort kroken genom att skruva loss skruven.

- Hylsbits
- Makitas originalbatteri och -laddare
- Förvaringsväska av plast

OBS: Några av tillbehören i listan kan vara inkluderade i maskinpaketet som standardtillbehör. De kan variera mellan olika länder.

ANVÄNDNING

Skruvdragning

► **Fig.16**

Placera skruven på bitsets spets och sätt skruvspetsen mot arbetsstyckets yta. Tryck på maskinen och starta den. Dra bort maskinen så fort kopplingen börjar slira. Släpp sedan avtryckaren.

⚠ FÖRSIKTIGT: Var försiktig så att du inte trycker in mot skruven när du placerar den på bitsets spets. Om skruven trycks in aktiveras kopplingen och skruven kommer plötsligt att börja rotera. Detta kan skada arbetsstycket eller orsaka personskada.

⚠ FÖRSIKTIGT: Se till att bitset placeras rakt i skruvhuvudet annars kan skruven och/eller bitset skadas.

UNDERHÅLL

⚠ FÖRSIKTIGT: Se alltid till att maskinen är avstängd och batterikassetten borttagen innan inspektion eller underhåll utförs.

OBSERVERA: Använd inte bensin, förtunningsmedel, alkohol eller liknande. Missfärgning, deformation eller sprickor kan uppstå.

För att upprätthålla produktens SÄKERHET och TILLFÖRLITLIGHET bör allt underhålls- och justeringsarbete utföras av ett auktoriserat Makita servicecenter och med reservdelar från Makita.

VALFRIA TILLBEHÖR

⚠ FÖRSIKTIGT: Följande tillbehör eller tillsatser rekommenderas för användning med den Makita-maskin som denna bruksanvisning avser. Om andra tillbehör eller tillsatser används kan det uppstå risk för personskador. Använd endast tillbehören eller tillsatserna för de syften de är avsedda för.

Kontakta ditt lokala Makita servicecenter om du behöver ytterligare information om dessa tillbehör.

- Skruvbits
- Magnetisk bitshållare

TEKNISKE DATA

Modell:		DFS250		DFS251	
Festekapasitet	Selvskruende skrue	6 mm			
	Skrue for gipsvegg	5 mm			
Hastighet uten belastning (OPM)		0 - 2 500 min ⁻¹			
Total lengde	Med kort justeringsmekanism	223 mm		-	
	Med lang justeringsmekanism	239 mm		-	
Total lengde		-		217 mm	
Merkespenning		DC 18 V			
Standard batteriinnsett		BL1815 / BL1815N / BL1820 / BL1820B	BL1830 / BL1830B / BL1840 / BL1840B / BL1850 / BL1850B / BL1860B	BL1815 / BL1815N / BL1820 / BL1820B	BL1830 / BL1830B / BL1840 / BL1840B / BL1850 / BL1850B / BL1860B
Lader		DC18RC / DC18RD / DC18SE / DC18SF / DC18SD			
Nettovekt		1,6 kg	1,8 kg	1,5 kg	1,8 kg

- På grunn av vårt kontinuerlige forsknings- og utviklingsprogram kan spesifikasjonene som oppgis i dette dokumentet endres uten varsel.
- Spesifikasjoner og batteriinnsett kan variere fra land til land.
- Vekt, med batteriinnsett, i henhold til EPTA-prosedyre 01/2003

Riktig bruk

Maskinen er beregnet til skruing i tre, metall og plast.

Støy

Typisk A-vektet lydtrykknivå er bestemt i henhold til EN62841:

Modell DFS250

Lydtrykknivå (L_{pA}): 72 dB (A)

Usikkerhet (K): 3 dB (A)

Modell DFS251

Lydtrykknivå (L_{pA}): 72 dB (A)

Usikkerhet (K): 3 dB (A)

Støynivået under arbeid kan overskride 80 dB (A).

⚠ ADVARSEL: Bruk hørselsvern.

Vibrasjoner

Den totale vibrasjonsverdien (triaksial vektorsum) bestemt i henhold EN62841:

Modell DFS250

Arbeidsmodus: skrutrekking uten slag

Genererte vibrasjoner (a_h): 2,5 m/s² eller mindre

Usikkerhet (K): 1,5 m/s²

Modell DFS251

Arbeidsmodus: skrutrekking uten slag

Genererte vibrasjoner (a_h): 2,5 m/s² eller mindre

Usikkerhet (K): 1,5 m/s²

⚠ MERK: Den angitte verdien for de genererte vibrasjonene er målt i samsvar med standardtestmetoden og kan brukes til å sammenlikne et verktøy med et annet.

⚠ MERK: Den angitte verdien for de genererte vibrasjonene kan også brukes til en foreløpig vurdering av eksponeringen.

⚠ ADVARSEL: De genererte vibrasjonene ved faktisk bruk av elektroverktøyet kan avvike fra den angitte vibrasjonsverdien, avhengig av hvordan verktøyet brukes.

⚠ ADVARSEL: Sørg for å identifisere vernetiltak for å beskytte operatøren, som er basert på et estimat av eksponeringen under de faktiske bruksforholdene (idet det tas hensyn til alle deler av driftssyklusen, dvs. hvor lenge verktøyet er slått av, hvor lenge det går på tomgang og hvor lenge startbryteren faktisk holdes trykket).

EFs samsvarserklæring

Gjelder kun for land i Europa

EFs samsvarserklæring er lagt til som vedlegg A i denne bruksanvisningen.

SIKKERHETSADVARSEL

Generelle advarsler angående sikkerhet for elektroverktøy

⚠ADVARSEL: Les alle sikkerhetsadvarsler, instruksjoner, illustrasjoner og spesifikasjoner som følger med dette elektroverktøyet. Hvis ikke alle instruksjonene nedenfor følges, kan det forekomme elektrisk støt, brann og/eller alvorlig skade.

Oppbevar alle advarsler og instruksjoner for senere bruk.

Uttrykket «elektrisk verktøy» i advarslene refererer både til elektriske verktøy (med ledning) tilkoblet strømmettet, og batteridrevne verktøy (uten ledning).

Sikkerhetsanvisninger for trådløs skrutrekker

1. Hold maskinen i de isolerte gripeflatene der festemidlet kan komme i kontakt med skjulte ledninger under arbeidet. Hvis skruer eller bolter kommer i kontakt med en strømførende ledning, kan metalldelene på det elektriske verktøyet bli strømførende og føre til at brukeren får støt.
2. Pass på at du alltid har godt fotfeste. Forviss deg om at ingen står under deg når du jobber høyt over bakken.
3. Hold godt fast i verktøyet.
4. Hold hendene unna roterende deler.
5. Ikke berør bitset eller arbeidsstykket umiddelbart etter bruk. Disse vil da være ekstremt varme, og du kan få brannså.
6. Arbeidsstykker må alltid festes med en skrustikke eller lignende.

TA VARE PÅ DISSE INSTRUKSENE.

⚠ADVARSEL: IKKE LA hensynet til hva som er "behagelig" eller det faktum at du kjenner produktet godt (etter mange gangers bruk) gjøre deg mindre oppmerksom på sikkerhetsreglene før bruken av det aktuelle produktet.

Ved MISBRUK eller hvis ikke sikkerhetsreglene i denne bruksanvisningen følges, kan det oppstå alvorlig personskade.

Viktige sikkerhetsanvisninger for batteriinnsetts

1. Før du begynner å bruke batteriet, må du lese alle anvisninger og forsiktighetsregler på (1) batteriladeren, (2) batteriet og (3) det produktet batteriet skal brukes i.
2. Ikke ta fra hverandre batteriet.
3. Hvis driftstiden er blitt vesentlig kortere, må du omgående slutte å bruke maskinen. Hvis ikke kan resultatet bli overoppheting, mulige forbrenninger eller til og med en eksplosjon.

4. Hvis du får elektrolytt i øynene, må du skylle dem med store mengder rennende vann og oppsøke lege med én gang. Denne typen uhell kan føre til varig blindhet.
5. Ikke kortslett batteriet:
 - (1) De kan være ekstremt varme og du kan brenne deg.
 - (2) Ikke lagre batteriet i samme beholder som andre metallgjenstander, som for eksempel spiker, mynter osv.
 - (3) Ikke la batteriet komme i kontakt med vann eller regn.

En kortslutning av batteriet kan føre til et kraftig strømstøt, overoppheting, mulige forbrenninger og til og med til at batteriet går i stykker.

6. Ikke lagre maskinen og batteriet på steder hvor temperaturen kan komme opp i eller overskride 50 °C.
7. Ikke sett fyr på batteriet, ikke engang om det er sterkt skadet eller helt utslitt. Batteriet kan eksplodere hvis det begynner å brenne.
8. Vær forsiktig så du ikke mister batteriet eller utsetter det for slag.
9. Ikke bruk batterier som er skadet.
10. Lithium-ion-batteriene som medfølger er gjenstand for krav om spesialavfall. For kommersiell transport, f.eks av tredjeparter eller speditorer, må spesielle krav om pakking og merking følges. Før varen blir sendt, må du forhøre deg med en ekspert på farlig materiale. Ta også hensyn til muligheten for mer detaljerte nasjonale bestemmelser. Bruk teip eller maskeringsteip for å skjule åpne kontakter og pakk inn batteriet på en slik måte at den ikke kan bevege seg rundt i emballasjen.
11. Følg lokale bestemmelser for avhending av batterier.

TA VARE PÅ DISSE INSTRUKSENE.

⚠FORSIKTIG: Bruk kun originale Makita-batterier. Bruk av batterier som har endret seg, eller som ikke er originale Makita-batterier, kan føre til at batteriet sprekker og forårsaker brann, personskader og andre skader. Det vil også ugyldiggjøre garantien for Makita-verktøyet og -laderen.

Tips for å opprettholde maksimal batterilevetid

1. Lad batteriinnsettsen før den er helt utladet. Stopp alltid driften av verktøyet og lad batteriinnsettsen når du merker at effekten reduseres.
2. Lad aldri en batteriinnsetts som er fulladet. Overopplading forkorter batteriets levetid.
3. Lad batteriet i romtemperatur ved 10 °C - 40 °C. Et varmt batteri må kjøles ned før lading.
4. Lad batteriet hvis det ikke har vært brukt på en lang stund (over seks måneder).

FUNKSJONSBEKRIVELSE

⚠ FORSIKTIG: Forviss deg alltid om at maskinen er slått av og batteriet tatt ut før du justerer maskinen eller kontrollerer dens mekaniske funksjoner.

Sette inn eller ta ut batteri

⚠ FORSIKTIG: Slå alltid av verktøyet før du setter inn eller fjerner batteriet.

⚠ FORSIKTIG: Hold verktøyet og batteripatronen i et fast grep når du monterer eller fjerner batteripatronen. Hvis du ikke holder verktøyet og batteripatronen godt fast, kan du miste grepet, og dette kan føre til skader på verktøyet og batteripatronen samt personskader.

► **Fig.1:** 1. Rød indikator 2. Knapp 3. Batteriinnsetts

For å ta ut batteriet må du skyve på knappen foran på batteriet og trekke det ut.

Når du skal sette inn batteriet, må du plassere tungen på batteriet på linje med sporet i huset og skyve batteriet på plass. Skyv det helt inn til det går i inngrep med et lite klikk. Hvis du kan se den røde anviseren på oversiden av knappen, er det ikke fullstendig låst.

⚠ FORSIKTIG: Batteriet må alltid settes helt inn, så langt at den røde anviseren ikke lenger er synlig. Hvis dette ikke gjøres, kan batteriet komme til å falle ut av maskinen og skade deg eller andre som oppholder seg i nærheten.

⚠ FORSIKTIG: Ikke bruk makt når du setter i batteriet. Hvis batteriet ikke gir lett inn, er det fordi det ikke settes inn på riktig måte.

Indikere gjenværende batterikapasitet

Kun for batterier med indikatoren

► **Fig.2:** 1. Indikatorlamper 2. Kontrollknapp

Trykk på sjekk-knappen på batteriet for vise gjenværende batterikapasitet. Indikatorlampene lyser i et par sekunder.

Indikatorlamper			Gjenværende batterinivå
Tent	Av	Bliker	
			75 % til 100 %
			50 % til 75 %
			25 % til 50 %
			0 % til 25 %
			Lad batteriet.
			Batteriet kan ha en feil.

MERK: Det angitte nivået kan avvike noe fra den faktiske kapasiteten alt etter bruksforholdene og den omgivende temperaturen.

Batterivernsystem for verktøy/batteri

Verktøyet er utstyrt med et batterivernsystem for verktøy/batteri. Dette systemet kutter automatisk strømmen til motoren for å forlenge verktøyets og batteriets levetid. Verktøyet stopper automatisk under drift hvis verktøyet eller batteriet utsettes for en av følgende tilstander:

Overlastsikring

Når batteriet brukes på en måte som gjør at det bruker unormalt mye strøm, vil verktøyet stoppe, helt automatisk og uten forvarsel. I dette tilfellet må du slå av verktøyet og avslutte bruken som forårsaket at verktøyet ble overbelastet. Slå deretter verktøyet på for å starte det igjen.

Overopphetingsvern

Når verktøyet eller batteriet er overopphetet, stanser maskinen automatisk, og lampen blinker. I dette tilfellet, la verktøyet og batteriet avkjøles før du starter verktøyet på nytt.

Overutladingsvern

Når det blir batterikapasiteten er utilstrekkelig, stopper verktøyet automatisk. I så fall fjerner du batteriet fra verktøyet og lader det.

Bryterfunksjon

⚠ ADVARSEL: Før du setter batteriet inn i maskinen, må du alltid kontrollere at startbryteren aktiverer maskinen på riktig måte og går tilbake til «AV»-stilling når den slippes.

► **Fig.3:** 1. Startbryter 2. Avsperringsknapp

Trykk på startbryteren for å starte verktøyet. Verktøyets hastighet øker når du trykker hardere på startbryteren. Slipp bryteren for å stanse verktøyet.

Når verktøyet skal brukes kontinuerlig, må du trykke inn startbryteren, trykke inn sperreknappen og deretter slippe startbryteren. Hvis du vil stanse verktøyet mens det er låst i "PÅ"-stilling, må du trykke startbryteren helt inn og så slippe den igjen.

⚠ FORSIKTIG: Bryteren kan sperres i "ON"-stilling, for å gjøre det lettere for operatøren ved langvarig bruk. Vær forsiktig når du sperrer verktøyet i "ON"-stilling, og hold det godt fast.

MERK: Bitset dreier ikke selv om bryteren er på og motoren er i gang. Skyv verktøyet fremover for å koble inne clutchen.

MERK: Verktøyet stanser automatisk hvis motoren fortsetter å rotere i cirka 6 minutter.

Trykkjøringsmodus

► Fig.4: 1. Knapp 2. Modusindikator

Dette verktøyet har en trykkjøringsmodus. I denne modusen kobler verktøyet ut strømmen til motoren ved tomgang for å spare batteristrøm.

Du kan velge trykkjøringsmodus ved å trykke lett på startbryteren, slippe den opp og deretter raskt trykke på knappen. Modusindikatoren vil da begynne å lyse. Når trykkjøring er aktivert, trykker du inn startbryteren før du trykker på låseknappen. Legg trykk på drevbitset, og motoren vil begynne å rotere. Ytterligere trykk kobler inn clutchen, og drivbitset vil begynne å rotere. I trykkjøringsmodus vil motoren og drivbitset bare rotere når du legger trykk på verktøyet.

MERK: Hvis verktøyet ikke brukes på ca. 8 timer når det står i trykkjøringsmodus med startbryteren låst til på, slås verktøyet av. Hvis dette skjer, må du frigjøre og deretter trykke inn startbryteren igjen for å starte det på nytt.

Tenne frontlampe

⚠FORSIKTIG: Ikke se inn i lyset eller se direkte på lyskilden.

► Fig.5: 1. Lampe 2. Knapp

Tenn lampen ved å trekke lett i utløseren, og så slippe den. Lampen slukkes omtrent 10 sekunder etter at startbryteren er sluppet.

Du kan slå av lampen ved å trekke lett på starteren og så slippe den opp og deretter trykke på knappen og holde den inne noen sekunder. For å skru på lampen, utfør samme funksjon igjen.

Når trykkjøringsmodus er aktivert og startbryteren er låst, slås lampen av cirka ett minutt etter at motoren stopper.

MERK: Når startbryteren betjenes, kan ikke lampestatusen endres.

MERK: Etter at startbryteren frigjøres, kan lampestatusen endres i ca. 10 sekunder.

MERK: Bruk en tørr klut til å tørke støv osv. av lampelinsen. Vær forsiktig så det ikke blir riper i lampelinsen, da dette kan redusere lysstyrken.

Reverseringsfunksjon

► Fig.6: 1. Reverseringsspak

⚠FORSIKTIG: Før arbeidet begynner, må du alltid kontrollere rotasjonsretningen.

⚠FORSIKTIG: Bruk reversbryteren bare etter at verktøyet har stoppet helt. Hvis du endrer rotasjonsretningen før verktøyet har stoppet, kan det bli ødelagt.

⚠FORSIKTIG: Når du ikke skal bruke maskinen lenger, må du alltid sette reversbryteren i nøytral stilling.

Dette verktøyet har en reversbryter som kan brukes til å endre rotasjonsretningen. Beveg reversbryterspaken til posisjon ↶ (A-side) for å velge rotasjon med klokken eller til posisjon ↷ (B-side) for å velge rotasjon mot klokken. Når reversbryteren er i nøytral stilling, kan ikke startbryteren trykkes inn.

Dybdejustering

► Fig.7: 1. Lokaliserer

Dybden kan justeres ved hjelp av justeringsmekanismen. Vri i retningen "B" for mindre dybde, og retningen "A" for mer dybde. En full omdreining lokalisereen tilsvarer en dybdeendring på 2 mm (1/16").

Til DFS250

► Fig.8: 1. Lokaliserer

Til DFS251

► Fig.9: 1. Lokaliserer

Juster lokalisereen slik at avstanden mellom spissen av lokalisereen og skruhodet er ca. 3 mm (1/8"), som vist på figurene. Sett en prøveskrue inn i materialet eller i et stykke av et identisk materiale. Hvis dybden fremdeles ikke passer til skruen, må du fortsette å justere til du oppnår riktig dybdeinnstilling.

Krok

⚠FORSIKTIG: Ta alltid ut batteriet når verktøyet henges opp på kroken.

⚠FORSIKTIG: Maskinen må aldri henges på kroken høyt over bakken eller på en potensielt ustabil overflate.

► Fig.10: 1. Bøyle

Kroken er praktisk å henge verktøyet i over kortere tid.

MONTERING

⚠FORSIKTIG: Forviss deg alltid om at maskinen er slått av og batteriet tatt ut før du utfører noe arbeid på maskinen.

Monter eller demonter skrutrekkerbor eller hulbor

Til DFS250

► Fig.11: 1. Lokaliserer

► Fig.12: 1. Lokaliserer 2. Skrutrekkerbor 3. Magnetbitsholder

For å ta ut bitsen trekker du i lokalisereen og så griper du bitset med en tang og trekk den ut av den magnetiske bitsholderen. For å sette på bitsetet, må du skyve det godt inn på magnetbitsholderen. Installer deretter justeringsmekanismen ved å skyve den bestemt tilbake.

Til DFS251

► Fig.13: 1. Lokaliserer

► Fig.14: 1. Lokaliserer 2. Pipebits

For å ta ut hulbitsen må du trekke i lokalisereen, og så trekke ut hulbitsen. For å montere hulbitset, må du skyve det godt inn i muffen. Installer deretter justeringsmekanismen ved å skyve den bestemt tilbake.

Krok

► **Fig.15:** 1. Spor 2. Krok 3. Skrue

Kroken er praktisk å henge verktøyet i over kortere tid. Den kan monteres på begge sider av verktøyet. For å montere kroken, må du sette den inn i sporet på en av sidene av verktøyhuset og feste den med en skrue. Ta den av igjen ved å løsne skruen.

- Hulbor
- Makita originalbatteri og lader
- Verktøykoffert av plast

MERK: Enkelte elementer i listen kan være inkludert som standardtilbehør i verktøypakken. Elementene kan variere fra land til land.

BRUK

Skrutrekkerfunksjon

► **Fig.16**

Sett skruen på bitspissen og plasser skruespissen på overflaten av arbeidsemnet som skal festes. Utøv trykk på verktøyet og start det. Dra verktøyet tilbake når clutchen slår inn. Slipp startbryteren.

⚠FORSIKTIG: Når du setter skruen på bitspissen, må du være forsiktig så du ikke skyver skruen inn. Hvis skruen skyves inn, vil clutchen aktiveres og skruen begynner plutselig å rotere. Dette kan skade arbeidsstykket eller føre til personskader.

⚠FORSIKTIG: Pass på at bitset er satt rett inn i skruehodet, ellers kan skruen og/eller bitset bli skadet.

VEDLIKEHOLD

⚠FORSIKTIG: Forviss deg alltid om at maskinen er slått av og batteriet tatt ut før du foretar inspeksjon eller vedlikehold.

OBS: Aldri bruk gasolin, bensin, tynner alkohol eller lignende. Det kan føre til misfarging, deformering eller sprekkdannelse.

For å opprettholde produktets SIKKERHET og PALITELIGHET, må reparasjoner, vedlikehold og justeringer utføres av autoriserte Makita servicesentre eller fabrikk-servicesentre, og det må alltid brukes reservedeler fra Makita.

VALGFRITT TILBEHØR

⚠FORSIKTIG: Det anbefales at du bruker dette tilbehøret eller verktøyet sammen med den Makita-maskinen som er spesifisert i denne håndboken. Bruk av annet tilbehør eller verktøy kan forårsake personskader. Tilbehør og verktøy må kun brukes til det formålet det er beregnet på.

Ta kontakt med ditt lokale Makita-servicesenter hvis du trenger mer informasjon om dette tilbehøret.

- Skrutrekkerbor
- Magnetbitsholder

TEKNISET TIEDOT

Malli:	DFS250		DFS251	
Kiinnityskapasiteetti	Itseporaava ruuvi	6 mm		
	Kipsiruuvi	5 mm		
Kuormittamaton kierrosnopeus (RPM)	0 - 2 500 min ⁻¹			
Kokonaispituus	Lyhyellä ohjaimella	223 mm	-	
	Pitkällä ohjaimella	239 mm	-	
Kokonaispituus	-		217 mm	
Nimellisjännite	DC 18 V			
Vakio akkupaketti	BL1815 / BL1815N / BL1820 / BL1820B	BL1830 / BL1830B / BL1840 / BL1840B / BL1850 / BL1850B / BL1860B	BL1815 / BL1815N / BL1820 / BL1820B	BL1830 / BL1830B / BL1840 / BL1840B / BL1850 / BL1850B / BL1860B
Laturi	DC18RC / DC18RD / DC18SE / DC18SF / DC18SD			
Nettopaino	1,6 kg	1,8 kg	1,5 kg	1,8 kg

- Jatkuvasta tutkimus- ja kehitystyöstämme johtuen esitetyt tekniset tiedot saattavat muuttua ilman erillistä ilmoitusta.
- Tekniset tiedot ja akkupaketti voivat vaihdella maittain.
- Paino akkupaketilla, EPTA-menettelyn 01/2003 mukaan

Käyttötarkoitus

Työkalu on tarkoitettu ruuvien kiinnittämiseen puuhun, metalliin ja muoviin.

Melutaso

Tyypillinen A-painotettu melutaso määräytyy standardin EN62841 mukaan:

Malli DFS250

Äänenpainetaso (L_{pA}): 72 dB (A)

Virhemarginaali (K): 3 dB (A)

Malli DFS251

Äänenpainetaso (L_{pA}): 72 dB (A)

Virhemarginaali (K): 3 dB (A)

Työskentelyn aikana melutaso voi ylittää 80 dB (A).

VAROITUS: Käytä kuulosuojaimia.

Tärinä

Kokonaistärinä (kolmen akselin vektorien summa) määräytyy standardin EN62841 mukaan:

Malli DFS250

Työtila: ruuvaus ilman vasaroitua

Tärinäpäästö (a_{rh}): 2,5 m/s² tai alaisempi

Virhemarginaali (K): 1,5 m/s²

Malli DFS251

Työtila: ruuvaus ilman vasaroitua

Tärinäpäästö (a_{rh}): 2,5 m/s² tai alaisempi

Virhemarginaali (K): 1,5 m/s²

HUOMAA: Ilmoitettu tärinäpäästöarvo on mitattu standarditestausten mukaisesti, ja sen avulla voidaan vertailla työkaluja keskenään.

HUOMAA: Ilmoitettua tärinäpäästöarvoa voidaan käyttää myös altistumisen alustavaan arviointiin.

VAROITUS: Työkalun käytön aikana mitattu todellinen tärinäpäästöarvo voi poiketa ilmoitetusta tärinäpäästöarvosta työkalun käyttötavan mukaan.

VAROITUS: Selvitä käyttäjän suojaamiseksi tarvittavat varoimet todellisissa käyttöolosuhteissa tapahtuvan arvioidun altistumisen mukaisesti (ottaen huomioon käyttöjakso kokonaisuudessaan, myös jaksot, joiden aikana työkalu on sammutettuna tai käy tyhjäkäynnillä).

EY-vaatimustenmukaisuusvakuutus

Koskee vain Euroopan maita

EY-vaatimustenmukaisuusvakuutus on liitetty tähän käyttöoppaaseen.

TURVAVAROITUKSET

Sähkötyökalujen käyttöä koskevat yleiset varoitukset

VAROITUS: Tutustu kaikkiin tämän sähkötyökalun mukana toimitettuihin varoituksiin, ohjeisiin, kuviin ja teknisiin tietoihin. Seuraavassa lueteltujen ohjeiden noudattamatta jättäminen saattaa johtaa sähköiskuun, tulipaloon tai vakavaan vammautumiseen.

Säilytä varoitukset ja ohjeet tulevaa käyttöä varten.

Varoituksissa käytettävällä termillä ”sähkötyökalu” tarkoitetaan joko verkkovirtaa käyttävää (johdollaista) työkalua tai akkukäyttöistä (johdotonta) työkalua.

Akkukäyttöisen ruuvinvääntimen turvallisuusohjeet

- Pitele sähkötyökalua sen eristetyistä tartuntapinnoista silloin, kun on mahdollista, että kiinnitystarvike saattaa osua piilossa oleviin johtoihin.** Kiinnitystarvikkeen osuminen jännitteeseen johtoon voi siirtää jännitteen työkalun sähköä johtaviin metalliosiin ja aiheuttaa käyttäjälle sähköiskun.
- Seiso aina tukevassa asennossa. Varmista korkealla työskennellessäsi, ettei ketään ole alapuolella.**
- Ota työkalusta luja ote.**
- Pidä kädet loitolla pyörivistä osista.**
- Älä kosketa kärkeä tai työkalupäätä välittömästi käytön jälkeen, sillä ne voivat olla erittäin kuumia ja aiheuttaa palovammoja.**
- Kiinnitä työkalupäleet aina viilapenkkiin tai vastaavaan pidikkeeseen.**

SÄILYTÄ NÄMÄ OHJEET.

VAROITUS: ÄLÄ anna työkalun helpokäyttöisyyden (toistuvan käytön aikaansaama) johtaa sinua väärään turvallisuuden tunteeseen niin, että laiminlyöt työkalun turvaohjeiden noudattamisen. **VÄÄRINKÄYTTÖ** tai tässä käyttöohjeessa ilmoitettujen turvamääräysten laiminlyönti voi aiheuttaa vakavia henkilövahinkoja.

Akkupakettia koskevia tärkeitä turvaohjeita

- Ennen akun käyttöönottoa tutustu kaikkiin laturissa (1), akussa (2) ja akkukäyttöisessä tuotteessa (3) oleviin varoitusteksteihin.**
- Älä pura akkua.**
- Jos akun toiminta-aika lyhenee merkittävästi, lopeta akun käyttö. Seurauksena voi olla ylikuumeneminen, palovammoja tai jopa räjähdys.**

- Jos akkuneustettä pääsee silmiin, huuhtele puhtaalla vedellä ja hakeudu välittömästi lääkärin hoitoon. Akkuneuste voi aiheuttaa näön menetyksen.**
- Älä oikosulje akkua.**
 - Älä koske akun napoihin millään sähköä johtavalla materiaaalilla.**
 - Vältä akun oikosulkemista äläkä säilytä akkua yhdessä muiden metalliesineiden, kuten naulojen, kolikoiden ja niin edelleen kanssa.**
 - Älä aseta akkua alttiiksi vedelle tai sateelle.**
- Oikosulku voi aiheuttaa virtapiikin, ylikuumentumista, palovammoja tai laitteen rikkoontumisen.**
- Älä säilytä työkalua ja akkua paikassa, jossa lämpötila voi nousta 50 °C:een tai sitäkin korkeammaksi.**
- Älä hävitä akkua polttamalla, vaikka se olisi pahoin vaurioitunut tai täysin loppuun kulunut. Avotuli voi aiheuttaa akun räjähtämisen.**
- Varo kolhimasta tai pudottamasta akkua.**
- Älä käytä viallista akkua.**
- Sisältyviä litium-ioni-akkuja koskevat vaarallisten aineiden lainsäädännön vaatimukset.** Esimerkiksi kolmansien osapuolten huolintaliikkeiden tulee kaupallisissa kuljetuksissa noudattaa pakkaamista ja merkintöjä koskevia erityisvaatimuksia. Lähetettävän tuotteen valmistelu edellyttää vaarallisten aineiden asiantuntijan neuvontaa. Huomioi myös mahdollisesti yksityiskohtaisemmat kansalliset määräykset
Akun avoimet liittimet tulee suojata teipillä tai suojuksella ja pakkaaminen tulee tehdä niin, ettei akku voi liikkua pakkauksessa.
- Hävitä akku paikallisten määräysten mukaisesti.**

SÄILYTÄ NÄMÄ OHJEET.

HUOMIO: Käytä vain alkuperäisiä Makita-akkuja. Muiden kuin aitojen Makita-akkujen, tai mahdollisesti muutettujen akkujen käyttö voi johtaa akun murtumiseen ja aiheuttaa tulipaloja, henkilö- ja omaisuusvahinkoja. Se mitätöi myös Makita-työkalun ja -laturin Makita-takuun.

Vihjeitä akun käyttöiän pidentämiseksi

- Lataa akku ennen kuin se purkautuu täysin. Lopeta aina työkalun käyttö ja lataa akku, jos huomaat työkalun tehon vähenevän.**
- Älä koskaan lataa uudestaan täysin ladattua akkua. Ylilataaminen lyhentää akun käyttöikää.**
- Lataa akku huoneen lämpötilassa välillä 10 °C - 40 °C. Anna kuumen akun jäähtyä ennen lataamista.**
- Lataa akkupaketti, jos et käytä sitä pitkään aikaan (yli kuusi kuukautta).**

TOIMINTOJEN KUVAUS

⚠️HUOMIO: Varmista aina ennen säätöjä ja tarkastuksia, että työkalu on sammutettu ja akkupaketti irrotettu.

Akun asentaminen tai irrottaminen

⚠️HUOMIO: Sammuta työkalu aina ennen akun kiinnittämistä tai irrottamista.

⚠️HUOMIO: Pidä työkalusta ja akusta tiukasti kiinni, kun irrotat tai kiinnität akkua. Jos akkupaketti tai työkalu putoaa, ne voivat vaurioitua tai aiheuttaa tapaturman.

- **Kuva1:** 1. Punainen merkivalo 2. Painike
3. Akkupaketti

Irrota akku painamalla akun etupuolella olevaa painiketta ja vetämällä akku ulos työkalusta.

Akku liitetään sovittamalla akun kieleke rungon uraan ja työntämällä se sitten paikoilleen. Työnnä akku pohjaan asti niin, että kuulet sen napsahdavan paikoilleen. Jos painikkeen yläpuolella näkyy punainen ilmaisin, akku ei ole lukkiutunut täysin paikoilleen.

⚠️HUOMIO: Työnnä akku aina pohjaan asti, niin että punainen ilmaisin ei enää näy. Jos akku ei ole kunnolla paikallaan, se voi pudota työkalusta ja aiheuttaa vammoja joko sinulle tai sivullisille.

























⚠️HUOMIO: Älä käytä voimaa akun asennuksessa. Jos akku ei liu'u paikalleen helposti, se on väärässä asennossa.

Akun jäljellä olevan varaustason ilmaisin

Vain akkupaketeille ilmaisimella

- **Kuva2:** 1. Merkkivalot 2. Tarkistuspainike

Painamalla tarkistuspainiketta saat näkyviin akun jäljellä olevan varaustason. Merkkivalot palavat muutaman sekunnin ajan.

Merkkivalot			Akussa jäljellä olevan varaus
 Palaava	 Pois päältä	 Viilkku	
			75% - 100%
			50% - 75%
			25% - 50%
			0% - 25%
			Lataa akku.
			Akussa on saattanut olla toimintahäiriö.
			

HUOMAA: Ilmoitettu varaustaso voi erota hieman todellisesta varaustasosta sen mukaan, millaisissa oloissa ja missä lämpötilassa laitetta käytetään.

Työkalun/akun suojausjärjestelmä

Työkalu on varustettu työkalu/akun suojausjärjestelmällä. Tämä järjestelmä pidentää työkalun ja akun käyttöikää katkaisemalla automaattisesti moottorin virran. Työkalu pysähtyy automaattisesti kesken käytön, jos työkalussa tai akussa ilmenee jokin seuraavista tilanteista:

Ylikuormitussuoja

Kun työkalua käytetään tavalla, mikä saa sen kuluttamaan epätavallisen suuren määrän virtaa, työkalu pysähtyy automaattisesti ilman mitään merkkivaloa tai ilmaisinta. Katkaise tässä tilanteessa työkalusta virta ja lopeta ylikuormitustilan aiheuttanut käyttö. Käynnistä sitten työkalu uudelleen kytkemällä siihen virta.

Ylikuumenemissuoja

Työkalun ylikuumentessa se pysähtyy automaattisesti ja lamppu alkaa vilkkua. Anna silloin työkalun/akun jäähtyä, ennen kuin kytket työkaluun uudelleen virran.

Ylipurkautumissuoja

Kun akun varaus on riittämätön, työkalu pysähtyy automaattisesti. Irrota silloin akku työkalusta ja lataa se.

Kytkimen käyttäminen

⚠️VAROITUS: Tarkista aina ennen akkupaketin asettamista työkaluun, että liipaisinkytkin kytkeytyy oikein ja palaa "OFF"-asentoon, kun se vapautetaan.

- **Kuva3:** 1. Liipaisinkytkin 2. Lukon vapautuspainike

Käynnistä työkalu vetämällä liipaisinkytkintä. Työkalun nopeus kasvaa liipaisinkytkimeen kohdistuvaa voimaa lisättäessä. Pysäytä vapauttamalla liipaisinkytkin.

Jatkuvaa toimintaa varten vedä liipaisinkytkimestä, työnnä lukituspainiketta ja vapauta sitten liipaisinkytkin. Kun haluat pysäyttää työkalun jatkuvan käynnin, vedä liipaisinkytkin ensin pohjaan ja vapauta se sitten.

⚠️HUOMIO: Kytkimen voi lukita "ON"-asentoon, jotta pitkäaikainen käyttö olisi käyttäjälle mukavampaa. Ole varovainen, kun lukitset työkalun "ON"-asentoon ja pidä työkalusta luja ote.

HUOMAA: Vaikka kytkintä painetaan ja moottori pyörii, terä ei pyöri. Kytkin kytkeytyy, kun työkalua painetaan eteenpäin.

HUOMAA: Työkalu pysähtyy automaattisesti, kun moottori pyörii noin 6 minuutin ajan.

Painokäynnistystila

- **Kuva4:** 1. Painike 2. Tilan merkkivalo

Tässä työkalussa on painokäynnistystila. Tässä tilassa työkalu säästää akkuvirtaa katkaisemalla virran moottoriin, kun työkalua ei käytetä.

Valitse painokäynnistystilaa painamalla liipaisinta kevyesti, vapauttamalla se ja painamalla sitten painiketta lyhyesti. Tilan merkkivalo syttyy. Kun painokäynnistystila on otettu käyttöön, paina liipaisinkytkintä ja paina sitten lukituspainiketta. Kohdista painetta terään, niin moottori alkaa pyöriä. Kun painat kovempaa, kytkin kytkeytyy ja terä alkaa pyöriä. Painokäynnistystilassa moottori ja terä pyöriivät vain, kun terää painetaan työkappaleeseen.

HUOMAA: Jos painokäynnistystilassa olevaa työkalua ei käytetä noin 8 tuntiin liipaisimen ollessa lukittuna painettuun asentoon, työkalu sammuu. Silloin voit käynnistää työkalun vapauttamalla liipaisimen ja painamalla sitä uudelleen.

Etulampun sytyttäminen

▲HUOMIO: Älä katso suoraan lamppuun tai valonlähteeseen.

► **Kuva5:** 1. Lamppu 2. Painike

Jos haluat sytyttää valon, paina liipaisinkytkintä kevyesti ja vapauta se. Lamppu sammuu noin 10 sekunnin kuluttua liipaisinkytkimen vapauttamisesta.

Jos haluat sammuttaa lampun, paina liipaisinkytkintä kevyesti, vapauta se ja paina sitten painiketta muutama sekunnin ajan. Sytytä lamppu toistamalla sama toiminto uudestaan.

Jos työkalu on painokäynnistystilassa ja liipaisinkytkin on lukittu, lamppu sammuu noin minuutin kuluttua moottorin sammumisesta.

HUOMAA: Lampputta ei voi ottaa käyttöön tai poistaa käytöstä liipaisinkytkimen painamisen aikana.

HUOMAA: Lampun voi ottaa käyttöön tai poistaa käytöstä voi muuttaa noin 10 sekunnin kuluttua liipaisinkytkimen vapauttamisesta.

HUOMAA: Pyyhi lika pois liinssistä kuivalla liinalla. Varo naarmuttamasta linssiä, ettei valoteho laske.

Pyörimissuunnan vaihtokytkimen toiminta

► **Kuva6:** 1. Pyörimissuunnan vaihtokytkimen vipu

▲HUOMIO: Tarkista aina pyörimissuunta ennen käyttöä.

▲HUOMIO: Käytä pyörimissuunnan vaihtokytkintä vasta sen jälkeen, kun kone on lakannut kokonaan pyörimästä. Pyörimissuunnan vaihto koneen vielä pyöriessä voi vahingoittaa sitä.

▲HUOMIO: Aina kun konetta ei käytetä, käännä pyörimissuunnan vaihtokytkin keskiasentoon.

Työkalussa on pyörimissuunnan vaihtokytkin. Jos haluat terän pyörivän myötäpäivään, siirrä vaihtokytkin asentoon ← (A puoli), ja jos vastapäivään, siirrä se asentoon → (B puoli).

Jos pyörimissuunnan vaihtokytkin on keskiasennossa, liipaisinkytkin lukittuu.

Syvyydensäätö

► **Kuva7:** 1. Ohjain

Syvyyyttä voi säätää ohjainta kääntämällä. Syvyys pienenee käännettäessä suuntaan "B" ja suurenee käännettäessä suuntaan "A". Ohjaimen yksi täysi kierros vastaa 2 mm:n (1/16") muutosta syvyyydessä.

Malli DFS250

► **Kuva8:** 1. Ohjain

Malli DFS251

► **Kuva9:** 1. Ohjain

Säädä ohjain kuvien mukaisesti siten, että ohjaimen pään ja ruuvien kannan väli on noin 3 mm (1/8"). Ruuvua koeruuvi samanlaiseen materiaaliin kuin työkaluun materiaali. Jos syvyys ei vielä kukaan sovi ruuville, jatka säätämistä, kunnes saavutat sopivan syvyyden asetuksen.

Koukku

▲HUOMIO: Poista akku aina, kun ripustat työkalun koukusta.

▲HUOMIO: Älä koskaan ripusta työkalua korkeaan paikkaan tai epävakaa alustalle.

► **Kuva10:** 1. Koukku

Työkalu voidaan kätevästi ripustaa väliaikaisesti koukkuun.

KOKOONPANO

▲HUOMIO: Varmista aina ennen mitään työkalulle tehtäviä toimenpiteitä, että se on sammutettu ja akku irrotettu.

Ruuvauskärjen/kärkipalan asentaminen tai irrottaminen

Malli DFS250

► **Kuva11:** 1. Ohjain

► **Kuva12:** 1. Ohjain 2. Ruuvauskärki 3. Magneettinen teränpidin

Kun haluat irrottaa ruuvikärjen, vedä ohjaimesta, tartu sitten ruuvikärkeen tiukasti pihdeillä ja irrota kärki magneettipidikkeestä. Kiinnitä ruuvikärki työntämällä se magneettipidikkeeseen. Kiinnitä ohjain sitten vetämällä sitä taaksepäin.

Malli DFS251

► **Kuva13:** 1. Ohjain

► **Kuva14:** 1. Ohjain 2. Hylsykärki

Hylsykärki irrotetaan vetämällä istukkaa taaksepäin ja vetämällä kärki ulos. Kiinnität hylsykärjen työntämällä sitä lujasti laippaan. Kiinnität ohjain sitten vetämällä sitä taaksepäin.

Koukku

► **Kuva15:** 1. Ura 2. Koukku 3. Ruuvi

Työkalu voidaan kätevästi ripustaa väliaikaisesti koukkuun. Tämä voidaan asentaa kummalle puolelle työkalua tahansa.

Asenna koukku työntämällä se työkalun rungon uraan jommallekummalle puolelle ja varmista kiinnitys ruuvilla. Voit irrottaa koukun löysäämällä ja irrottamalla ruuvin.

- Ruuvauskärjet
- Magneettinen teränpidin
- Hylsykärjet
- Aito Makitan akku ja laturi
- Muovinen kantolaukku

HUOMAA: Jotkin luettelossa mainitut varusteet voivat sisältyä työkalun toimitukseen vakiovarusteina. Ne voivat vaihdella maittain.

TYÖSKENTELY

Ruuvaaminen

► **Kuva16**

Istuta ruuvi terän kärkeen ja aseta ruuvin kärki kiinnittävän työkappaleen pinnalle. Paina työkalua ja käynnistä se. Vedä työkalu takaisin heti kun kytkin kytkeytyy. Vapauta sitten liipaisinkytkin.

⚠HUOMIO: Kun asetat ruuvin terän kärkeen, varo, ettet paina sitä ruuviin. Jos ruuvi painetaan sisään, kytkin kiinnittyy ja ruuvi kierittää äkkiä. Tämä voi vahingoittaa työkappaletta tai aiheuttaa vamman.

⚠HUOMIO: Varmista, että terä on suorassa kulmassa ruuvin kantaan nähden, jotta ruuvi ja/tai kärki ei vahingoitu.

KUNNOSSAPITO

⚠HUOMIO: Varmista aina ennen tarkastusta tai huoltoa, että työkalu on sammutettu ja akku irrotettu.

HUOMAUTUS: Älä koskaan käytä bensiiniä, ohenteita, alkoholia tai tms. aineita. Muutoin pinta voi halkeilla tai sen värit ja muoto voivat muuttua. Muutoin laitteeseen voi tulla värjäytymiä, muodon vääristymiä tai halkeamia.

Tuotteen TURVALLISUUDEN ja LUOTETTAVUUDEN takaamiseksi korjaukset, muut huoltotyöt ja säädöt on teetettävä Makitan valtuutetussa huoltopisteessä Makitan varaosia käyttäen.

LISÄVARUSTEET

⚠HUOMIO: Seuraavia lisävarusteita tai laitteita suositellaan käytettäväksi tässä ohjeessa kuvatun Makita-työkalun kanssa. Muiden lisävarusteiden tai laitteiden käyttö voi aiheuttaa henkilövahinkoja. Käytä lisävarusteita ja -laitteita vain niiden käyttötarkoituksen mukaisesti.

Jos tarvitset apua tai yksityiskohtaisempia tietoja seuraavista lisävarusteista, ota yhteys paikalliseen Makitan huoltoon.

SPECIFIKĀCIJAS

Modelis:		DFS250		DFS251	
Pievilkšanas spēja	Pašurbjošā skrūve	6 mm			
	Skrūve ģipškartonam	5 mm			
Ātrums bez slodzes (apgr./min)		0 - 2 500 min ⁻¹			
Kopējais garums	Ar īsu noteicēju	223 mm	-		
	Ar garu noteicēju	239 mm	-		
Kopējais garums		-		217 mm	
Nominālais spriegums		18 V līdzstrāva		Līdzstrāva 18 V	
Standarta akumulatora kasetne		BL 1815 / BL 1815N / BL 1820 / BL 1820B	BL 1830 / BL 1830B / BL 1840 / BL 1840B / BL 1850 / BL 1850B / BL 1860B	BL 1815 / BL 1815N / BL 1820 / BL 1820B	BL 1830 / BL 1830B / BL 1840 / BL 1840B / BL 1850 / BL 1850B / BL 1860B
Lādētājs		DC18RC / DC18RD / DC18SE / DC18SF / DC18SD			
Tīrsvars		1,6 kg	1,8 kg	1,5 kg	1,8 kg

- Nepārtrauktās izpētes un izstrādes programmas dēļ šeit uzrādītās specifikācijas var tikt mainītas bez brīdinājuma.
- Specifikācijas un akumulatora kasetne var atšķirties dažādās valstīs.
- Svārs ar akumulatora kasetni saskaņā ar EPTA-Procedure 01/2003

Paredzētā lietošana

Šis darbarīks paredzēts skrūvju ieskrūvēšanai kokā, metālā un plastmasā.

Trokšņa līmenis

Tipiskais A svērtais trokšņa līmenis noteikts saskaņā ar EN62841:

Modelis DFS250

Skaņas spiediena līmeni (L_{pA}): 72 dB (A)

Mainīgums (K): 3 dB (A)

Modelis DFS251

Skaņas spiediena līmeni (L_{pA}): 72 dB (A)

Mainīgums (K): 3 dB (A)

Darbības laikā trokšņa līmenis var pārsniegt 80 dB (A).

BRĪDINĀJUMS: Lietojiet ausu aizsargus.

Vibrācija

Vibrācijas kopējā vērtība (trīsasu vektora summa) noteikta atbilstoši EN62841:

Modelis DFS250

Darba režīms: skrūvēšana bez triecienrežīma

Vibrācijas izmete (a_v): 2,5 m/s² vai mazāk

Mainīgums (K): 1,5 m/s²

Modelis DFS251

Darba režīms: skrūvēšana bez triecienrežīma

Vibrācijas izmete (a_v): 2,5 m/s² vai mazāk

Mainīgums (K): 1,5 m/s²

PIEZĪME: Paziņotā vibrācijas emisijas vērtība noteikta atbilstoši standarta pārbaudes metodei un to var izmantot, lai salīdzinātu vienu darbarīku ar citu.

PIEZĪME: Paziņoto vibrācijas emisijas vērtību arī var izmantot iedarbības sākotnējā novērtējumā.

BRĪDINĀJUMS: Reāli lietojot elektrisko darbarīku, vibrācijas emisija var atšķirties no paziņotās emisijas vērtības atkarībā no darbarīka izmantošanas veida.

BRĪDINĀJUMS: Lai aizsargātu lietotāju, nosakiet drošības pasākumus, kas pamatoti ar iedarbību reālos darba apstākļos (ņemot vērā visus ekspluatācijas cikla posmus, piemēram, laiku, kamēr darbarīks ir izslēgts un kad darbojas tukšgaitā, kā arī palaides laiku).

EK atbilstības deklarācija

Tikai Eiropas valstīm

EK atbilstības deklarācija šajā lietošanas rokasgrāmatā ir iekļauta kā A pielikums.

DROŠĪBAS BRĪDINĀJUMI

Vispārīgi elektrisko darbarīku drošības brīdinājumi

▲BRĪDINĀJUMS: Izlasiet visus drošības brīdinājumus, instrukcijas, apskatiet ilustrācijas un tehniskos datus, kas iekļauti mehanizētā darbarīka komplektācijā. Ja netiek ievēroti visi tālāk minētie noteikumi, var tikt izraisīta elektrotrauma, notikt aizdegšanās un/vai rasties smagas traumas.

Glabājiet visus brīdinājumus un norādījumus, lai varētu tajos ieskatīties turpmāk.

Termins „elektrisks darbarīks” brīdinājumos attiecas uz tādu elektrisko darbarīku, ko darbina ar elektrību (ar vadu), vai tādu, ko darbina ar akumulatoru (bez vada).

Drošības brīdinājumi attiecībā uz bezvadu skrūvgriezi

1. Turiet elektrisko darbarīku aiz izolētajām satveršanas virsmām, veicot darbu, kura gaitā stiprinājums varētu saskarties ar neredzamu elektroinstalāciju. Stiprinājumiem saskaroties ar zem sprieguma esošu vadu, elektriskā darbarīka ārējās metāla virsmas var vadīt strāvu un radīt lietotājam elektrotraumu.
2. Vienmēr stāviet stabili. Ja lietojat darbarīku, strādājot augstumā virs zemes, pārliecinieties, ka apakšā neviena nav.
3. Turiet darbarīku stingri.
4. Netuviniet rokas rotējošām daļām.
5. Nepieskarīties uzgalim vai apstrādājamajam materiālam tūlīt pēc darba veikšanas; tie var būt ļoti karsti un apdedzināt ādu.
6. Apstrādājamus materiālus vienmēr ievietojiet skrūvspilēs vai citā stiprinājuma ierīcē.

SAGLABĀJIET ŠOS NORĀDĪJUMUS.

▲BRĪDINĀJUMS: NEPIEĻAUJIET to, ka labu iemaņu vai izstrādājuma labas pārziņāšanas (darbarīku atkārtoti ekspluatējot) rezultātā vairs stingri neievērojat šīs izstrādājuma drošības noteikumus.

NEPAREIZI LIETOJOT darbarīku vai neievērojot šajā instrukciju rokasgrāmatā minētos drošības noteikumus, var tikt gūtas smagas traumas.

Svarīgi drošības norādījumi par akumulatora kasetni

1. Pirms akumulatora lietošanas izlasiet visus norādījumus un brīdinājumus, kuri attiecas uz (1) akumulatora lādētāju, (2) akumulatoru un (3) ierīci, kurā tiek izmantots akumulators.
2. Neizjauciet akumulatoru.

3. Ja akumulatora darbības laiks kļūva ievērojami īsāks, nekavējoties pārtrauciet to izmantot. Citādi, tas var izraisīt pārkarsējumu, uzliesmojumu vai pat sprādzienu.
 4. Ja elektrolīts nonāk acīs, izskalojiet tās ar tīru ūdens un nekavējoties griezieties pie ārsta. Tas var izraisīt redzes zaudēšanu.
 5. Neradiet īssavienojumu akumulatora kasetnē:
 - (1) Nepieskarīeties spaiļiem ar elektrību vadošiem materiāliem.
 - (2) Neuzglabājiet akumulatoru kasetni kopā ar citiem metāla priekšmetiem, tādēim kā naglas, monētas u. c.
 - (3) Nepakļaujiet akumulatora kasetni ūdens vai lietuv iedarbībai.
- Akumulatora īssavienojums var radīt spēcīgu strāvas plūsmu, pārkarsānu, uzliesmojumu un pat sabojāt akumulatoru.
6. Neglabājiet darbarīku un akumulatora kasetni vietās, kur temperatūra var sasniegt vai pārsniegt $50\text{ }^{\circ}\text{C}$ ($122\text{ }^{\circ}\text{F}$).
 7. Nededziniet akumulatora kasetni, pat ja tā ir stipri bojāta vai pilnībā nolietota. Akumulatora kasetne uguni var eksplodēt.
 8. Uzmanieties, lai neļautu akumulatoram nokrist un nepakļautu to sitienam.
 9. Neizmantojiet bojātu akumulatoru.
 10. Uz izmantotajiem litija jonu akumulatoriem attiecas likumdošanas prasības par bīstamiem izstrādājumiem.

Komerציālā transportēšanā, ko veic, piemēram, trešās puses, transporta uzņēmumi, jāievēro uz iesaiņojuma un marķējuma norādītās īpašās prasības. Lai izstrādājumu sagatavotu nosūtīšanai, jāsaziņās ar bīstamo materiālu speciālistu. Ievērojiet arī citus attiecināmos valsts normatīvus. Valējus kontaktus nosedziet ar līmlenti vai citādi pārklājiet, bet akumulatoru iesaiņojiet tā, lai sānīt tas nevarētu izkustēties.

11. Ievērojiet vietējos noteikumus par akumulatora likvidēšanu.

SAGLABĀJIET ŠOS NORĀDĪJUMUS.

▲UZMANĪBU: Lietojiet tikai oriģinālos Makita akumulatorus. Ja lietojat neoriģinālus Makita akumulatorus vai pārveidotus akumulatorus, tie var uzsprāgt un izraisīt aizdegšanos, traumas un materiālos zaudējumus. Tiks anulēta arī Makita darbarīka un lādētāja garantija.

Ieteikumi akumulatora kalpošanas laika pagarināšanai

1. Uzlādējiet akumulatora kasetni, pirms tā ir pilnībā izlādējusies. Vienmēr, kad ievērojat, ka darbarīka darba jauda zudusi, apturiet darbarīku un uzlādējiet akumulatora kasetni.
2. Nekad neuzlādējiet pilnībā uzlādētu akumulatora kasetni. Pārmērīga uzlāde saīsina akumulatora kalpošanas laiku.
3. Uzlādējiet akumulatora kasetni istabas temperatūrā $10\text{ }^{\circ}\text{C}$ - $40\text{ }^{\circ}\text{C}$. Karstai akumulatora kasetnei pirms uzlādes ļaujiet atdzist.
4. Uzlādējiet litija jonu akumulatora kasetni, ja to ilgstoši nelietosit (vairāk nekā sešus mēnešus).

FUNKCIJU APRAKSTS

⚠UZMANĪBU: Pirms darbarīka regulēšanas vai tā darbības pārbaudes vienmēr pārlicinieties, ka darbarīks ir izslēgts un akumulatora kasetne ir izņemta.

Akumulatora kasetnes uzstādīšana un izņemšana

⚠UZMANĪBU: Vienmēr pirms akumulatora kasetnes uzstādīšanas vai noņemšanas izslēdziet darbarīku.

⚠UZMANĪBU: Uzstādot vai izņemot akumulatora kasetni, darbarīku un akumulatora kasetni turiet cieši. Ja darbarīku un akumulatora kasetni netur cieši, tie var izkrist no rokām un radīt bojājumus darbarīkam un akumulatora kasetnei, kā arī izraisīt ievainojumus.

- **Att. 1:** 1. Sarkanās krāsas indikators 2. Poga 3. Akumulatora kasetne

Lai izņemtu akumulatora kasetni, izvelciet to no darbarīka, pārbindot kasetnes priekšpusē esošo pogu.

Lai uzstādītu akumulatora kasetni, salāgojiet mēlīti uz akumulatora kasetnes ar rievu ietvarā un iebīdīet to vietā. Ievietojiet to līdz galam, līdz tā ar klikšķi nofiksējas. Ja pogas augšējā daļā redzams sarkanās krāsas indikators, tas nozīmē, ka tā nav pilnīgi fiksēta.

⚠UZMANĪBU: Vienmēr ievietojiet akumulatora kasetni tā, lai sarkanais indikators nebūtu redzams. Pretējā gadījumā tā var nejauši izkrist no darbarīka un izraisīt jums vai apkārtējiem traumas.

⚠UZMANĪBU: Neievietojiet akumulatora kasetni ar spēku. Ja kasetne neslīd ietvarā viegli, tā nav pareizi ielikta.

Atlikušās akumulatora jaudas indikators

Tikai akumulatora kasetnēm ar indikatoru

- **Att. 2:** 1. Indikatora lampas 2. Pārbaudes poga

Nospiediet akumulatora kasetnes pārbaudes pogu, lai pārbaudītu akumulatora atlikušo uzlādes līmeni. Indikatoru iedegsies uz dažām sekundēm.

Indikatora lampas			Atlikusī jauda
lededzies	Izslēgts	Mirgo	
			No 75% līdz 100%
			No 50% līdz 75%
			No 25% līdz 50%
			No 0% līdz 25%

Indikatora lampas			Atlikusī jauda
lededzies	Izslēgts	Mirgo	
			Uzlādējiet akumulatoru.
			Iespējama akumulatora kļūme.

PIEZĪME: Reālā jauda var nedaudz atšķirties no norādītās atkarībā no lietošanas apstākļiem un apkārtējās temperatūras.

Darbarīka/akumulatora aizsardzības sistēma

Darbarīkam ir darbarīka/akumulatora aizsardzības sistēma. Št sistēma automātiski izslēdz strāvas padevi motoram, lai pagarinātu darbarīka un akumulatora darbību. Lietošanas laikā darbarīks automātiski pārstās darboties, ja darbarīku vai akumulatoru pakļaus kādam no šādiem apstākļiem.

Aizsardzība pret pārslodzi

Ja akumulatoru lieto tā, ka tas patērē pārmērīgi lielu strāvas daudzumu, darbarīks automātiski pārstāj darboties bez jebkādas norādes. Šādā gadījumā izslēdziet darbarīku un pārtrauciet darbību, kas izraisīja darbarīka pārslodzi. Tad ieslēdziet darbarīku, lai atsāktu darbu.

Aizsardzība pret pārkaršanu

Ja darbarīks vai akumulators ir pārkaršis, darbarīks automātiski izslēdzas un sāk mirgot lampa. Šādā gadījumā ļaujiet darbarīkam un akumulatoram atdzist un tikai tad atkal ieslēdziet darbarīku.

Aizsardzība pret akumulatora pārmērīgu izlādi

Ja akumulatora jaudas līmenis ir zems, darbarīks automātiski pārstāj darboties. Šajā gadījumā akumulatoru izņemiet no darbarīka un uzlādējiet.

Slēdža darbība

⚠BRĪDINĀJUMS: Pirms akumulatora kasetnes uzstādīšanas darbarīkā vienmēr pārbaudiet, vai slēdža mēlīte darbojas pareizi un pēc atlaišanas atgriežas stāvoklī „OFF” (izslēgts).

- **Att. 3:** 1. Slēdža mēlīte 2. Atbloķēšanas poga

Lai ieslēgtu darbarīku, pavelciet slēdža mēlīti. Darbarīka ātrums palielinās, palielinoties spiedienam uz slēdža mēlīti. Lai darbarīku apturētu, atlaidiet slēdža mēlīti.

Lai darbarīks darbotos nepārtraukti, pavelciet slēdža mēlīti un nospiediet bloķēšanas pogu, pēc tam atlaidiet slēdža mēlīti. Lai apturētu darbarīku, kad slēdzis ir bloķēts, nospiediet slēdža mēlīti līdz galam, tad atlaidiet to.

⚠UZMANĪBU: Slēdzi var fiksēt stāvoklī „ON”(ieslēgts), lai atvieglotu operatora darbu, strādājot ilgstoši. Esiet uzmanīgs, fiksējot darbarīka slēdzi stāvoklī „ON”(ieslēgts); stingri turiet darbarīku.

PIEZĪME: Pat tad, ja slēdzis ir ieslēgts un motors darbojas, skrūvgrieža uzgalis negriežas. Spiediet darbarīku uz priekšu, lai ietvere saslēgtos.

PIEZĪME: Ja motors nepārtraukti griežas aptuveni 6 minūtes, darbarīks automātiski izslēdzas.

Spiediena skrūvēšanas režīms

► **Att.4:** 1. Poga 2. Režīma indikators

Šim darbarīkam ir spiediena skrūvēšanas režīms. Šajā režīmā darbarīks atslēdz motora barošanu, kad tas darbojas tukšgaitā, lai taupītu akumulatora jaudu. Lai izvēlētos spiediena skrūvēšanas režīmu, nedaudz nospiediet mēlīti, tad atlaidiet to un ātri nospiediet pogu. Iedegas režīma indikators.

Kad spiediena skrūvēšanas režīms ieslēgts, nospiediet slēdža mēlīti un tad nospiediet bloķēšanas pogu. Kad uz skrūvgrieža uzgali tiek izdarīts spiediens, motors sāk griezties. Spēcīgāks spiediens saslēdz ietveri, un skrūvgrieža uzgalis sāk griezties. Spiediena skrūvēšanas režīmā motors un skrūvgrieža uzgalis griežas tikai pēc uzspiešanas.

PIEZĪME: Ja darbarīks spiediena skrūvēšanas režīmā netiek darbināts apmēram 8 stundas ar bloķētu mēlīti, darbarīks izslēdzas. Šādā gadījumā atlaidiet mēlīti un nospiediet vēlreiz, lai atsāktu.

Priekšējās lampas ieslēgšana

⚠UZMANĪBU: Neskatieties gaismā, neļaujiet tās avotam iespīdēt acis.

► **Att.5:** 1. Lampa 2. Poga

Lai ieslēgtu lampu, nedaudz nospiediet slēdža mēlīti, tad atlaidiet to. Apmēram 10 sekundes pēc slēdža mēlītes atlaišanas lampa izslēdzas.

Lai lampa neiedegtos, nedaudz nospiediet slēdža mēlīti, tad atlaidiet to un dažas sekundes turiet nospiešu pogu. Lai ieslēgtu lampu, veiciet tās pašas darbības vēlreiz.

Spiediena skrūvēšanas režīmā ar bloķētu slēdža mēlīti lampa izslēdzas apmēram vienu minūti pēc motora apturēšanas.

PIEZĪME: Kamēr slēdža mēlīte ir nospiesta, lampas režīmu nevar mainīt.

PIEZĪME: Lampas režīmu var mainīt apmēram 10 sekunžu laikā pēc slēdža mēlītes atlaišanas.

PIEZĪME: Ar sausu lupatīņu notīriet netīrumus no lampas lēcas. Izvairieties saskrāpēt lampas lēcu, jo tādējādi tiek samazināts apgaismojums.



Griešanās virziena pārslēdzēja darbība

► **Att.6:** 1. Griešanās virziena pārslēdzēja svira

⚠UZMANĪBU: Pirms sākat strādāt, vienmēr pārbaudiet griešanās virzienu.

⚠UZMANĪBU: Izmantojiet griešanās virziena pārslēdzēju tikai pēc darbarīka pilnīgas apstāšanās. Griešanās virziena maiņa pirms darbarīka pilnīgas apstāšanās var to sabojāt.

⚠UZMANĪBU: Kamēr darbarīks netiek izmantots, vienmēr uzstādiet griešanās virziena pārslēdzēja sviru neitrālajā stāvoklī.

Šim darbarīkam ir griešanās virziena pārslēdzējs, kas ļauj mainīt griešanās virzienu. Pārbīdiet griešanās virziena pārslēdzēja sviru pozīcijā  (A puse) rotācijai pulksteņrādītāju kustības virzienā vai pozīcijā  (B puse) rotācijai pretēji pulksteņrādītāju kustības virzienam.

Ja griešanās virziena pārslēdzēja svira atrodas neitrālajā pozīcijā, slēdža mēlīti nevar nospiegt.

Dziļuma regulēšana

► **Att.7:** 1. Noteicējs

Dziļumu var regulēt, griežot noteicēju. Pagrieziet to „B” virzienā, lai samazinātu dziļumu, un „A” virzienā, lai to palielinātu. Viens pilns noteicēja apgrieziena maina dziļumu par 2 mm (1/16 collas).

Modelim DFS250

► **Att.8:** 1. Noteicējs

Modelim DFS251

► **Att.9:** 1. Noteicējs

Noregulējiet noteicēju tā, lai attālums starp noteicēja galu un skrūves galviņu būtu apmēram 3 mm (1/8 collas), kā parādīts attēlos. Ieskrūvējiet izmēģinājuma skrūvi materiālā vai rezerves materiālā. Ja dziļums joprojām nav skrūvei piemērots, turpiniet regulēt, līdz tiek iestatīts pareizs dziļums.

Āķis

⚠UZMANĪBU: Vienmēr izņemiet akumulatoru, kad darbarīku pakarināt aiz āķa.

⚠UZMANĪBU: Nekad neaizāķējiet darbarīku lielā augstumā vai uz iespējami nestabilas virsmas.

► **Att.10:** 1. Āķis

Āķis ir noderīgs darbarīka īslaicīgai uzkarināšanai.

MONTĀŽA

⚠UZMANĪBU: Pirms darbarīka regulēšanas vai apkopes vienmēr pārliecinieties, ka darbarīks ir izslēgts un akumulatora kasetne ir izņemta.

Skrūvgrieža uzgaļa/galatslēgas uzgaļa uzstādīšana vai noņemšana

Modelim DFS250

- **Att.11:** 1. Noteicējs
- **Att.12:** 1. Noteicējs 2. Skrūvgrieža uzgalis 3. Magnētiskais uzgaļa turētājs

Lai izņemtu skrūvgrieža uzgali, pavelciet noteicēju, tad ar knaiblēm satveriet uzgali un izvelciet to no magnētiskā uzgaļa turētāja. Lai uzstādītu skrūvgrieža uzgali, stingri iespiediet to magnētiskajā uzgaļa turētājā. Tad uzstādiet noteicēju, to stingri iespiežot atpakaļ.

Modelim DFS251

- **Att.13:** 1. Noteicējs
- **Att.14:** 1. Noteicējs 2. Ligzdas uzgalis

Lai noņemtu ligzdas uzgali, pavelciet noteicēju un izvelciet ligzdas uzgali. Lai uzstādītu ligzdas uzgali, stingri iespiediet to uzmvā. Tad uzstādiet noteicēju, to stingri iespiežot atpakaļ.

Āķis

- **Att.15:** 1. Rieva 2. Āķis 3. Skrūve

Āķis ir noderīgs darbarīka īslaicīgai uzkarināšanai. To var uzstādīt jebkurā darbarīka pusē.

Lai uzstādītu āķi, ievietojiet to rievā jebkurā darbarīka korpusa pusē, un tad ar skrūvi pieskrūvējiet. Lai to izņemtu, atskrūvējiet skrūvi vaļīgāk un izņemiet āķi.

EKSPLUATĀCIJA

Skrūvju skrūvēšana

- **Att.16**

Ievietojiet skrūvi uzgaļa galā un novietojiet skrūves galu uz piestiprināmā materiāla virsmas. Uzspiediet uz darbarīka un iedarbiniet to. Noņemiet darbarīku, līdzko ietvere ir iegriezusies. Tad atlaidiet slēdža mēlīti.

⚠UZMANĪBU: Uzstādot skrūvi uzgaļa galā, uzmanieties, lai skrūvi neiespiestu. Ja skrūve tiek iespiesta, ietvere saslēdzas un skrūve pēkšņi sāk griezties. Tādējādi var tikt sabojāts materiāls vai rasties trauma.

⚠UZMANĪBU: Pārbaudiet, vai uzgalis ir taisni ievietots skrūves galviņā, pretējā gadījumā var tikt sabojāta skrūve un/vai uzgalis.

APKOPE

⚠UZMANĪBU: Pirms darbarīka pārbaudes vai apkopes vienmēr pārliecinieties, ka darbarīks ir izslēgts un akumulatora kasetne ir izņemta.

IEVĒRĪBAI: Nekad neizmantojiet gazolīnu, benzīnu, atšķaidītāju, spirtu vai līdzīgus šķidrumus. Tas var radīt izbalēšanu, deformāciju vai plaisas.

Lai saglabātu izstrādājuma DROŠU un UZTICAMU darbību, remontdarbus, apkopi un regulēšanu uzticiet veikt tikai Makita pilnvarotam vai rūpnīcas apkopes centram, un vienmēr izmantojiet tikai Makita rezerves daļas.

PAPILDU PIEDERUMI

⚠UZMANĪBU: Šādi piederumi un papildierīces tiek ieteiktas lietošanai ar šajā rokasgrāmatā aprakstīto Makita darbarīku. Izmantojot citus piederumus vai papildierīces, var tikt radīta traumu gūšanas bīstamība. Piederumu vai papildierīci izmantojiet tikai paredzētajam mērķim.

Ja jums vajadzīga palīdzība vai precīzāka informācija par šiem piederumiem, vērsieties savā tuvākajā Makita apkopes centrā.

- Skrūvgrieža uzgali
- Magnētiskais uzgaļa turētājs
- Ligzdas uzgali
- Makita oriģinālais akumulators un lādētājs
- Pārņēsāšanas futrālis no plastmasas

PIEZĪME: Daži sarakstā norādītie izstrādājumi var būt iekļauti instrumenta komplektācijā kā standarta piederumi. Tie dažādās valstīs var būt atšķirīgi.

SPECIFIKACIJOS

Modelis:		DFS250		DFS251	
Tvirtinimo galimybės	Savigrėžis sraigtas	6 mm			
	Sraigtas gipso kartonui tvirtinti	5 mm			
Greitis be apkrovos (aps./min.)		0–2 500 min ⁻¹			
Bendras ilgis	Naudojant trumpą fikساتorių	223 mm	–		
	Naudojant ilgą fikساتorių	239 mm	–		
Bendras ilgis		–	217 mm		
Vardinė įtampa		N.S. 18 V			
Standartinė akumuliatoriaus kasetė		BL 1815 / BL 1815N / BL 1820 / BL 1820B	BL 1830 / BL 1830B / BL 1840 / BL 1840B / BL 1850 / BL 1850B / BL 1860B	BL 1815 / BL 1815N / BL 1820 / BL 1820B	BL 1830 / BL 1830B / BL 1840 / BL 1840B / BL 1850 / BL 1850B / BL 1860B
Įkroviklis		DC18RC / DC18RD / DC18SE / DC18SF / DC18SD			
Grynasis svoris		1,6 kg	1,8 kg	1,5 kg	1,8 kg

- Atliekame tęsinius tyrimus ir nuolat tobuliname savo gaminius, todėl čia pateikiamos specifikacijos gali būti keičiamos be įspėjimo.
- Įvairiose šalyse specifikacijos ir akumuliatoriaus kasetė gali skirtis.
- Svoris su akumuliatoriaus kasete pagal 2003-01 EPTA procedūrą

Numatytoji naudojimo paskirtis

Įrankis yra skirtas sraigtams sukti į medį, metalą ir plastiką.

Triukšmas

Įprastas triukšmo A lygis, nustatytas pagal EN62841:

Modelis DFS250

Garso slėgio lygis (L_{pA}): 72 dB (A)

Paklaida (K): 3 dB (A)

Modelis DFS251

Garso slėgio lygis (L_{pA}): 72 dB (A)

Paklaida (K): 3 dB (A)

Dirbant triukšmo lygis gali viršyti 80 dB (A).

ĮSPĖJIMAS: Dėvėkite ausų apsaugą.

Vibracija

Vibracijos bendroji vertė (triacio vektoriaus suma) nustatyta pagal EN62841 standartą:

Modelis DFS250

Darbo režimas: sraigtų sukimas be smūgių

Vibracijos emisija (a_h): 2,5 m/s² arba mažiau

Paklaida (K): 1,5 m/s²

Modelis DFS251

Darbo režimas: sraigtų sukimas be smūgių

Vibracijos emisija (a_h): 2,5 m/s² arba mažiau

Paklaida (K): 1,5 m/s²

PASTABA: Paskelbtasis vibracijos emisijos dydis nustatytas pagal standartinį testavimo metodą ir jį galima naudoti vienam įrankiui palyginti su kitu.

PASTABA: Paskelbtasis vibracijos emisijos dydis taip pat gali būti naudojamas preliminariai įvertinti vibracijos poveikį.

ĮSPĖJIMAS: Faktiškai naudojant elektrinį įrankį, keliamos vibracijos dydis gali skirtis nuo paskelbtojo dydžio, priklausomai nuo būdų, kuriais yra naudojamas šis įrankis.

ĮSPĖJIMAS: Siekdami apsaugoti operatorių, būtina įvertinkite saugos priemones, remdamiesi vibracijos poveikio įvertinimu esant faktinėms naudojimo sąlygoms (atsižvelgdami į visas darbo ciklo dalis, pavyzdžiui, ne tik kiek laiko įrankis veikia, bet ir kiek kartų jis yra išjungiamas bei kai jis veikia be apkrovų).

EB atitikties deklaracija

Tik Europos šalims

EB atitikties deklaracija yra pridedama kaip šio instrukcijų vadovo A priedas.

SAUGOS ĮSPĖJIMAI

Bendrieji įspėjimai dirbant elektriniais įrankiais

▲ ĮSPĖJIMAS: Perskaitykite visus saugos įspėjimus, instrukcijas, iliustracijas ir techninius duomenis, pateiktus kartu su šiuo elektriniu įrankiu. Nesilaikant visų toliau išvardytų instrukcijų galima patirti elektros smūgi, gali kilti gaisras ir (arba) galima sunkiai susižaloti.

Išsaugokite visus įspėjimus ir instrukcijas, kad galėtumėte jas peržiūrėti ateityje.

Terminas „elektrinis įrankis“ pateiktuose įspėjimuose reiškia į maitinimo tinklą jungiamą (laidinį) elektrinį įrankį arba akumuliatoriaus maitinamą (belaidį) elektrinį įrankį.

Belaidžio atsuktuvo saugos įspėjimai

1. Atlikdami darbus, kurių metu tvirtinimo detalė gali paliesti paslėptus laidus, laikykite elektrinį įrankį tik už izoliuotų, laikyti skirtų paviršių. Jei tvirtinimo detalės palies laidą su įtampa, elektrinio įrankio metalinės dalys taip pat gali tapti su įtampa, todėl operatorius gali patirti elektros šoką.
2. Visuomet užtikrinkite, kad pagrindas būtų tvirtas. Įsitinkite, kad nieko nėra apačioje, kai įrankį naudojate aukštyje.
3. Tvirtai laikykite įrankį.
4. Patraukite rankas nuo besisukančių dalių.
5. Nelieskite antgalio arba ruošinio iškart po naudojimo; jie gali būti itin karšti ir nudeginti odą.
6. Visada pritvirtinkite ruošinį spaustuvuose arba panašiam prilaikymo prietaisui.

SAUGOKITE ŠIAS INSTRUKCIJAS.

▲ ĮSPĖJIMAS: NELEISKITE, kad patogumas ir gaminio pažinimas (įgyjamas pakartotinai naudojant) susilpnintų griežtą saugos taisyklių, taikytinų šiam gaminiui, laikymąsi.

Dėl NETINKAMO NAUDOJIMO arba saugos taisyklių, kurios pateiktos šioje instrukcijoje, nesilaikymo galima rimtai susižeisti.

Svarbios saugos instrukcijos, taikomos akumuliatoriaus kasetei

1. Prieš naudodami akumuliatoriaus kasetę, perskaitykite visas instrukcijas ir perspėjimus ant (1) akumuliatorių įkroviklio, (2) akumuliatorių ir (3) akumuliatorių naudojančio gaminio.
2. Neardykite akumuliatoriaus kasetės.
3. Jei įrankio darbo laikas žymiai sutrumpėjo, nedelsdami nutraukite darbą su įrankiu. Tai gali kelti perkaitimo, nudegimų ar net sprogdimo pavojų.

4. Jei elektrolitas pateko į akis, plaukite jas tyru vandeniu ir nedelsdami kreipkitės į gydytoją. Gali kilti regėjimo praradimo pavojus.
 5. Neuztrumpinkite akumuliatoriaus kasetės:
 - (1) Nelieskite kontaktų degiomis medžiagomis.
 - (2) Venkite laikyti akumuliatoriaus kasetę kartu su kitais metaliniais daiktais, pavyzdžiui, vinimis, monetomis ir pan.
 - (3) Saugokite akumuliatoriaus kasetę nuo vandens ir lietaus.
- Trumpasis jungimas akumuliatoriuje gali sukelti stiprią srovę, perkaitimą, galimus nudegimus ar net akumuliatoriaus gedimą.
6. Nelaikykite įrankio ir akumuliatoriaus kasetės vietose, kur temperatūra gali pasiekti ar viršyti 50 °C.
 7. Nedeginkite akumuliatoriaus kasetės, net jei yra stipriai pažeista ar visiškai susidėvėjusi. Ugnyje akumuliatoriaus kasetė gali sprogti.
 8. Saugokite akumuliatorių nuo kritimo ir smūgių.
 9. Nenaudokite pažeisto akumuliatoriaus.
 10. Įdėtoms ličio jonų akumuliatoriams taikomi Pavojingų prekių teisės akto reikalavimai. Komerčinis transportas, pvz., trečiųjų šalių, prekių vežimo atstovų, turi laikytis specialaus reikalavimo ant pakuotės ir ženklavimo. Norėdami paruošti siųstiną prekę, pasitarkite su pavojingų medžiagų specialistu. Be to, laikykitės galimai išsamesnių nacionalinių reglamentų. Užklijuokite juosta arba padenkite atvirus kontaktus ir supakuokite akumuliatorių taip, kad ji pakuo-tėje nejudėtų.
 11. Vadovaukitės vietos įstatymais dėl akumuliatorių išmetimo.

SAUGOKITE ŠIAS INSTRUKCIJAS.

▲ PERSPĖJIMAS: Naudokite tik originalų „Makita“ akumuliatorių. Neoriginalaus „Makita“ arba pakeisto akumuliatoriaus naudojimas gali nulemti gaisrą, asmens sužalojimą ir pažeidimą. Tai taip pat panaikina „Makita“ suteikiamą „Makita“ įrankio ir įkroviklio garantiją.

Patarimai, ką daryti, kad akumuliatorius veiktų kuo ilgiau

1. Pakraukite akumuliatoriaus kasetę prieš ją visiškai išsikraunant. Visuomet nustokite naudoti įrankį ir pakraukite akumuliatoriaus kasetę, kai pastebite, kad įrankio galia sumažėjo.
2. Niekada nekraukite iki galo įkrautus akumuliatoriaus kasetes. Perkraunant trumpėja akumuliatoriaus eksploatacijos laikas.
3. Akumuliatoriaus kasetę kraukite esant kambario temperatūrai 10 - 40 °C. Prieš pradėdami krauti, leiskite įkautusiai akumuliatoriaus kasetei atvėsti.
4. Įkraukite akumuliatoriaus kasetę, jei jos nenaudojate ilgą laiką (ilgiau nei šešis mėnesius).

VEIKIMO APRAŠYMAS

⚠ PERSPĖJIMAS: Prieš pradėdami reguliuoti arba tikrinti įrankio veikimą, visuomet būtinai išjunkite įrankį ir išimkite akumuliatoriaus kasetę.

Akumuliatoriaus kasetės uždėjimas ir nuėmimas

⚠ PERSPĖJIMAS: Prieš įdėdami arba išimdami akumuliatoriaus kasetę, visada išjunkite įrankį.

⚠ PERSPĖJIMAS: Įdėdami arba išimdami akumuliatoriaus kasetę, tvirtai laikykite įrankį ir akumuliatoriaus kasetę. Jeigu įrankį ir akumuliatoriaus kasetę laikysite netvirtai, jie gali išslysti iš jūsų rankų, todėl įrankis ir akumuliatoriaus kasetė gali būti sugadinti, o naudotojas sužalotas.

- **Pav.1:** 1. Raudonas indikatorius 2. Mygtukas 3. Akumuliatoriaus kasetė

Jei norite išimti akumuliatoriaus kasetę, ištraukite ją iš įrankio, stumdami mygtuką, esantį kasetės priekyje.

Jei norite įdėti akumuliatoriaus kasetę, sulygiuokite liežuvėlį ant akumuliatoriaus kasetės su grioveliu korpuse ir įstumkite į jai skirtą vietą. Įdėkite iki galo, kol spragtelėdama užsifiksuos. Jeigu matote raudoną indikatorius viršutinėje mygtuko pusėje, ji nėra visiškai užfiksuota.

⚠ PERSPĖJIMAS: Akumuliatoriaus kasetę visada įkiškite iki galo, kol nebematysite raudono indikatoriaus. Priešingu atveju ji gali atsitiktinai iškristi iš įrankio, sužeisti jus arba aplinkinius.

⚠ PERSPĖJIMAS: Nekiškite akumuliatoriaus kasetės jėga. Jeigu kasetė sunkiai lenda, ją kišate netinkamai.

Likusios akumuliatoriaus galios rodymas

Tik akumuliatoriaus kasetėms su indikatoriumi

- **Pav.2:** 1. Indikatorių lemputės 2. Tikrinimo mygtukas

Paspauskite akumuliatoriaus kasetės tikrinimo mygtuką, kad būtų rodoma likusi akumuliatoriaus energija. Maždaug trims sekundėms užsidegs indikatorius lemputės.

Indikatorių lemputės			Likusi galia
Šviečia	Nešviečia	Blyksi	
■	□	◐	75 - 100 %
■	■	□	
■	■	□	50 - 75 %
■	■	□	25 - 50 %
■	□	□	0 - 25 %

Indikatorių lemputės			Likusi galia
Šviečia	Nešviečia	Blyksi	
◐	□	□	Įkraukite akumuliatorių.
■	□	□	
■	□	□	Galimai įvyko akumuliatoriaus veikimo triktis.
□	□	■	

PASTABA: Rodmuo gali šiek tiek skirtis nuo faktinės energijos lygio – tai priklauso nuo naudojimo sąlygų ir aplinkos temperatūros.

Įrankio / akumuliatoriaus apsaugos sistema

Įrankyje įrengta įrankio / akumuliatoriaus apsaugos sistema. Ši sistema automatiškai atjungia variklio maitinimą, kad įrankis ir akumuliatorius ilgiau veiktų. Įrankis automatiškai išsijungs darbo metu esant vienai iš toliau nurodytų įrankio arba akumuliatoriaus darbo sąlygų:

Apsauga nuo perkrovos

Akumuliatorių naudojant taip, kad susidaro neįprastai aukšta srovė, nepateikiant jokios indikacijos, įrankis automatiškai sustabdomas. Tokiu atveju išjunkite įrankį ir nutraukite darbą, dėl kurio įrankis buvo perkrautas. Tada įjunkite įrankį, kad jis būtų paleistas iš naujo.

Apsauga nuo perkaitimo

Kai įrankis ar akumuliatorius perkaista, jis automatiškai išsijungia ir pradeda mirksėti lemputė. Esant šiai situacijai, leiskite įrankiui ir akumuliatoriui atvėsti, prieš vėl jungdami įrankį.

Apsauga nuo visiško išsekimo

Kai akumuliatoriaus įkrovos lygis nepakankamas, įrankis automatiškai išsijungia. Tokiu atveju ištraukite akumuliatorių iš įrankio ir įkraukite jį.

Jungiklio veikimas

⚠ ĮSPĖJIMAS: Prieš montuodami akumuliatoriaus kasetę įrankyje, visuomet patikrinkite, ar gaidukas tinkamai veikia ir atleistas grįžta į išjungimo padėtį „OFF“.

- **Pav.3:** 1. Gaidukas 2. Atlaisvinimo mygtukas

Jei norite paleisti įrankį, tiesiog patraukite jungiklio gaiduką. Stipriau spaudžiant jungiklio gaiduką, įrankio veikimo greitis didėja. Norėdami išjungti, atleiskite svirtinį gaiduką.

Kad įrenginys neišsijungtų, patraukite jungiklio gaiduką ir paspauskite fiksavimo mygtuką, paskui jungiklio gaiduką atleiskite. Norėdami sustabdyti įrankį, kai gaidukas užsifiksuoja, paspauskite gaiduką iki galo ir tada jį atleiskite.

▲ PERSPĒJIMAS: Kai įrankis naudojamas ilgą laiko tarpą, operatoriaus patogumui jungiklį galima užfiksuoti į „ON“ (įjungta) padėtį. Būkite atsargūs, užfiksuodami įrankį į „ON“ (įjungta) padėtį ir tvirtai laikykite įrankio rankeną.

PASTABA: Netgi kai jungiklis įjungtas ir variklis veikia, atsuktuvo antgalis nesisuka. Pastumkite įrankį pirmyn, kad įjungtumėte sankabą.

PASTABA: Įrankis automatiškai sustabdomas, jeigu variklis sukasi maždaug 6 minutes.

Stumiamasis sukimo režimas

► **Pav.4:** 1. Mygtukas 2. Režimo indikatorius

Šis įrankis turi stumiamąjį sukimo režimą. Dirbant šiuo režimu, įrankis atjungia maitinimą varikliui, kad tuščiajame eiga būtų taupoma akumuliatoriaus energija. Norint pasirinkti stumiamąjį sukimo režimą, šiek tiek patraukite gaiduką, tuomet jį atleiskite ir greitai paspauskite mygtuką. Tuomet užsidegs režimo indikatorius.

Suaktyvinus stumiamąjį režimą, patraukite jungiklio gaiduką ir tuomet pastumkite fiksavimo mygtuką. Paspauskite atsuktuvo antgalį, variklis pradės sukintis. Dar paspaudus, įsijungia sankaba, o suktuvo antgalis pradeda sukintis. Dirbant stumiamojo sukimo režimu, variklis ir atsuktuvo antgalis pradės sukintis tik panaudojus spaudimą.

PASTABA: Jeigu įrankis maždaug 8 valandas nenaudojamas stumiamojo sukimo režimu su užfiksuotu gaiduku, įrankis yra išjungiamas. Šiuo atveju vėl atleiskite ir patraukite gaiduką, kad paleistumėte įrankį iš naujo.

Priekinės lemputės uždegimas

▲ PERSPĒJIMAS: Nežiūrėkite tiesiai į šviesą arba šviesos šaltinį.

► **Pav.5:** 1. Lemputė 2. Mygtukas

Norėdami įjungti lemputę, šiek tiek patraukite jungiklio gaiduką ir po to jį atleiskite. Atleidus jungiklio gaiduką, lemputė užgesa maždaug po 10 sekundžių.

Norėdami išjungti lemputę, šiek tiek patraukite jungiklio gaiduką, tuomet atleiskite jį ir kelias sekundes paspauskite mygtuką. Norėdami įjungti lemputę, dar kartą atlikite tą patį veiksma.

Dirbant stumiamojo sukimo režimu, kai jungiklio gaidukas užfiksuotas, lemputė išsijungia maždaug praėjus vienai minutei po variklio sustojimo.

PASTABA: Spaudžiant gaiduką lemputės jungiklio būsenos pakeisti negalima.

PASTABA: Lemputės jungiklio būseną galima pakeisti praėjus maždaug 10 sekundžių po gaiduko atleidimo.

PASTABA: Purvą nuo lempos objektyvo nuvalykite sausu skudurėliu. Būkite atsargūs, kad nesubrąžytumėte lempos objektyvo, nes pablogės apšvietimas.

Atbulinės eigos jungimas

► **Pav.6:** 1. Atbulinės eigos svirtelė

▲ PERSPĒJIMAS: Prieš naudodami visuomet patikrinkite sukimosi kryptį.

▲ PERSPĒJIMAS: Atbulinės eigos jungiklį naudokite tik įrankiui visiškai sustojus. Jei keisite sukimosi kryptį prieš įrankiui sustojant, galite sugadinti įrankį.

▲ PERSPĒJIMAS: Kai nenaudojate įrankio, visuomet nustatykite atbulinės eigos jungiklio svirtelę į neutralią padėtį.

Šiame įrankyje yra eigos keitimo jungiklis, pakeičiantis sukimosi kryptį. Perjunkite eigos keitimo jungiklio svirtį į padėtį ↶ (A pusė), kad įrankis suktyši pagal laikrodžio rodyklę, arba į padėtį ↷ (B pusė), kad jis suktyši prieš laikrodžio rodyklę.

Kai eigos keitimo jungiklio svirtis yra nustatyta į neutralią padėtį, jungiklio gaiduko negalima patraukti.

Gylio reguliavimas

► **Pav.7:** 1. Fiksatorius

Gylį galima reguliuoti sukanč fiksatorių. Pasukite jį B kryptimi, kad būtų mažesnis gylis, arba A kryptimi, kad būtų didesnis gylis. Vienu visu fiksatoriaus pasukimu gylis pakeičiamas 2 mm (1/16").

Skirta DFS250

► **Pav.8:** 1. Fiksatorius

Skirta DFS251

► **Pav.9:** 1. Fiksatorius

Sureguliuokite fiksatorių taip, kad atstumas tarp fiksatoriaus galo ir sraigto galvutės būtų maždaug 3 mm (1/8"), kaip parodyta paveikslėliuose. Įsukite bandomąjį sraigta į savo medžiagą ar dvigubos medžiagos gabalą. Jeigu gylis vis dar netinka sraigtiui, reguliuokite, kol gausite tinkamą gylio nuostatą.

Kablys

▲ PERSPĒJIMAS: Kai pakabinata įrankį už kablo, visada išimkite akumuliatorių.

▲ PERSPĒJIMAS: Niekada nekabinkite įrankio aukštai arba ant galimai nestabilius paviršiaus.

► **Pav.10:** 1. Kablys

Kablys yra patogus naudoti norint laikinai pakabinti įrankį.

SURINKIMAS

▲ PERSPĒJIMAS: Prieš darydami ką nors įrankiui visada patikrinkite, ar įrenginys išjungtas, o akumuliatorių kasėtė – nuimta.

Suktuvo galvutės / sukimo antgalio dėjimas ir išėmimas

Skirta DFS250

- **Pav.11:** 1. Fiksatorius
- **Pav.12:** 1. Fiksatorius 2. Atsuktuvo antgalis 3. Magnetinis antgalio laikiklis

Norėdami išimti antgalio laikiklį, patraukite fiksatųrių, tuomet suimkite antgalį replėmis ir ištraukite jį iš magnetinio antgalio laikiklio. Norėdami įdėti atsuktuvo antgalį, tvirtai įstumkite jį į magnetinį antgalio laikiklį. Tuomet tvirtai įstumkite fiksatųrių.

Skirta DFS251

- **Pav.13:** 1. Fiksatorius
- **Pav.14:** 1. Fiksatorius 2. Lizdo antgalis

Norėdami išimti lizdo antgalį, patraukite fiksatųrių ir tuomet traukite lizdo antgalį. Norėdami įdėti lizdo antgalį, tvirtai įstumkite jį į movą. Tuomet tvirtai įstumkite fiksatųrių.

Kablys

- **Pav.15:** 1. Griovelis 2. Kablys 3. Sraigtas

Kablys yra patogus naudoti norint laikinai pakabinti įrankį. Jį galima įrengti bet kurioje įrankio pusėje. Norėdami uždėti kablį, įdėkite jį į įrankio korpuso bet kurioje pusėje esantį griovelį ir tuomet pritvirtinkite sraigto. Norėdami išimti, atsukite sraigto ir išimkite.

NAUDOJIMAS

Sraigto sukimas

- **Pav.16**

Įdėkite sraigto į antgalio smaigalį ir uždėkite sraigto ant norimo pritvirtinti ruošinio paviršiaus. Paspauskite įrankį ir pradėkite sukuti. Ištraukite įrankį, kai tik įsijungia sankaba. Tuomet atleiskite jungiklio gaiduką.

▲PERSPĖJIMAS: Kai dedate sraigto ant antgalio smaigalio, būkite atsargūs, kad neįspaustumėte sraigto. Jeigu sraigtas įspaudžiamas, įsijungs sankaba ir sraigtas staiga pradės sukuti. Taip galite sugadinti ruošinį arba sukelti sužalojimą.

▲PERSPĖJIMAS: Įsitinkinkite, kad antgalis būtų įdėtas tiesiai į sraigto galvutę arba sraigtas ir (arba) antgalis gali būti sugadinti.

TECHNINĖ PRIEŽIŪRA

▲PERSPĖJIMAS: Visuomet įsitinkinkite, ar įrankis yra išjungtas ir akumulatoriaus kasetė yra nuimta prieš atlikdami apžiūrą ir priežiūrą.

PASTABA: Niekada nenaudokite gazolino, benzino, tirpiklio, spirito arba panašių medžiagų. Gali atsirasti išblukimų, deformacijų arba įtrūkimų.

Kad gaminys būtų SAUGUS ir PATIKIMAS, jį taisyti, apžiūrėti ar vykdyti bet kokią kitą priežiūrą ar derinimą turi įgaliotasis kompanijos „Makita“ techninės priežiūros centras; reikia naudoti tik kompanijos „Makita“ pagamintą atsarginę dalis.

PASIRENKAMI PRIEDAI

▲PERSPĖJIMAS: Šiuos papildomus priedus arba įtaisus rekomenduojama naudoti su šioje instrukcijoje nurodytu „Makita“ bendrovės įrankiu. Naudojant bet kokius kitus papildomus priedus arba įtaisus, gali kilti pavojus sužeisti žmones. Naudokite tik nurodytam tikslui skirtus papildomus priedus arba įtaisus.

Jeigu norite daugiau sužinoti apie tuos priedus, kreipkitės į artimiausią „Makita“ techninės priežiūros centrą.

- Atsuktuvo antgaliai
- Magnetinis antgalio laikiklis
- Lizdo antgaliai
- Originalus „Makita“ akumulatorius ir įkroviklis
- Plastikinis nešiojimo dėklas

PASTABA: Kai kurie sąrašė esantys priedai gali būti pateikti įrankio pakuotėje kaip standartiniai priedai. Jie įvairiose šalyse gali skirtis.

TEHNILISED ANDMED

Mudel:		DFS250		DFS251	
Kinnitamise suutlikkus	Isepuuriv kruvi	6 mm			
	Kipsplaadikruvi	5 mm			
Koormuseta kiirus (p/min)		0 - 2 500 min ⁻¹			
Kogupikkus	Lühikese padruniga	223 mm	-		
	Pika padruniga	239 mm	-		
Kogupikkus		-	217 mm		
Nimipinge		Alalisvool 18 V			
Standardne akukassett		BL1815 / BL1815N / BL1820 / BL1820B	BL1830 / BL1830B / BL1840 / BL1840B / BL1850 / BL1850B / BL1860B	BL1815 / BL1815N / BL1820 / BL1820B	BL1830 / BL1830B / BL1840 / BL1840B / BL1850 / BL1850B / BL1860B
Laadija		DC18RC / DC18RD / DC18SE / DC18SF / DC18SD			
Netokaal		1,6 kg	1,8 kg	1,5 kg	1,8 kg

- Meie pideva uuringu- ja arendusprogrammi tõttu võidakse tehnilisi andmeid muuta ilma sellest ette teatamata.
- Tehnilised andmed ja akukassett võivad riigiti erineda.
- Kaal koos akukassetiga, EPTA-protseduuri 01/2003 kohaselt

Kavandatud kasutus

See tööriist on mõeldud kruvide keeramiseks puitu, metalli ja plasti.

Müra

Tüüpiline A-korrigeeritud müratase, määratud standardi EN62841 kohaselt:

Mudel DFS250

Helirõhutase (L_{pA}): 72 dB (A)

Määramatus (K): 3 dB (A)

Mudel DFS251

Helirõhutase (L_{pA}): 72 dB (A)

Määramatus (K): 3 dB (A)

Töötamisel võib müratase ületada 80 dB (A).

⚠ HOIATUS: Kasutage kõrvakaitsmeid.

Vibratsioon

Vibratsiooni koguväärtus (kolmeteljeliste vektorite summa) määratud standardi EN62841 kohaselt:

Mudel DFS250

Töörežiim: löögita kruvide keeramine

Vibratsiooniheide (a_n): 2,5 m/s² või vähem

Määramatus (K): 1,5 m/s²

Mudel DFS251

Töörežiim: löögita kruvide keeramine

Vibratsiooniheide (a_n): 2,5 m/s² või vähem

Määramatus (K): 1,5 m/s²

⚠ MÄRKUS: Deklareeritud vibratsiooniheite väärtus on mõeldud kooskõlas standardse testimismeetodiga ning seda võib kasutada ühe seadme võrdlemiseks teisega.

⚠ MÄRKUS: Deklareeritud vibratsiooniheite väärtust võib kasutada ka mürataseme esmaseks hindamiseks.

⚠ HOIATUS: Vibratsioonitase võib elektritööriista tegelikuses kasutamise ajal erineda deklareeritud väärtusest olenevalt tööriista kasutamise viisidest.

⚠ HOIATUS: Rakendage operaatori kaitsmiseks kindlasti piisavaid ohutusabinõusid, mis põhinevad hinnangulisel müratasemel tegelikus töösiituatsioon (võttes arvesse tööperioodi kõiki osasid, nagu näiteks korrad, kui seade lülitatakse välja ja seade töötab tühikäigul, lisaks tööajale).

EÜ vastavusdeklaratsioon

Ainult Euroopa riikide puhul

EÜ vastavusdeklaratsioon sisaldub käesoleva juhendi Lisas A.

OHUTUSHOIATUSED

Üldised elektritööriistade ohutushoiatused

⚠HOIATUS: Lugege läbi kõik selle elektritööriistaga kaasas olevad ohutushoiatused, juhised, joonised ja tehnilised andmed. Järgnevate juhiste eiramine võib põhjustada elektrilöögi, süttimise ja/või raske kehavigastuse.

Hoidke edaspidisteks viide- teks alles kõik hoiatused ja juhtnöörid.

Hoiatuses kasutatud termini „elektritööriist“ all peetakse silmas elektriga töötavaid (juhtmega) elektritööriistu või akuga töötavaid (juhtmata) elektritööriistu.

Juhtmata kruvikeeraja ohutushoiatused

1. Hoidke elektritööriista isoleeritud haardepindadest, kui töötate kohas, kus kinnitusvahend võib sattuda kokkupuutesse varjatud elektrijuhtmetega. Pingestatud elektrijuhtmetega kokku puutunud kinnitusvahendid võivad põhjustada elektritööriista metallosade voolu alla sattumise, mille tagajärjel võib tööriista kasutaja saada elektrilöögi.
2. Veenduge alati, et omaksite kindlat toetus- pinda. Kui töötate kõrguses, siis jälgige, et teist all- pool ei viibiks inimesi.
3. Hoidke tööriista kindlalt käes.
4. Hoidke käed pöörlevatest osadest eemal.
5. Ärge puudutage otsakut ega töödeldavat detaili vahetult pärast tööriista kasutamist; need võivad olla väga kuumad ja põhjustada põletushaavu.
6. Töödeldav detail kinnitage alati kas kruustan- gide või sarnaste abivahenditega.

HOIDKE JUHEND ALLES.

⚠HOIATUS: ÄRGE UNUSTAGE järgida toote ohutusnõudeid mugavuse või toote (korduskasu- tamisega saavutatud) hea tundmise tõttu.
VALE KASUTUS või kasutusjuhendi ohutuseeskir- jade eiramine võib põhjustada tervisekahjustusi.

Akukassetiga seotud olulised ohutusjuhised

1. Enne akukassetti kasutamist lugege (1) akulaad- ijal, (2) akul ja (3) seadmel olevad juhtnöörid ja hoiatused läbi.
2. Ärge võtke akukassetti lahti.
3. Kui tööaeg järsult lüheneb, siis lõpetage kohe kasutamine. Edasise kasutamise tulemuseks võib olla ülekuumenemisoht, võimalikud põle- tused või isegi plahvatus.

4. Kui elektrolüüti satub silma, siis loputage silma puhta veega ja pöörduge koheselt arsti poole. Selline õnnetus võib põhjustada pimedaksjäämist.
 5. Ärge tekitage akukassetis lühist:
 - (1) Ärge puutuge klemme elektrijuhtidega.
 - (2) Ärge hoidke akukassetti tööriistakasti koos metallesemetega, nagu naelad, mündid jne.
 - (3) Ärge tehke akukassetti märjaks ega jätke seda vihma kätte.
- Aku lühis võib põhjustada tugevat elektri- voolu, ülekuumenemist, põletusi ning ka sea- det tõsiselt kahjustada.
6. Ärge hoidke tööriista ja akukassetti kohtades, kus temperatuur võib tõusta üle 50 °C.
 7. Ärge põletage akukassetti isegi siis, kui see on saanud tõsiselt vigastada või on täiesti kulu- nud. Akukassett võib tules plahvatada.
 8. Olge ettevaatlik, ärge laske akul maha kukkuda ja vältige lööke.
 9. Ärge kasutage kahjustatud akut.
 10. Sisalduvatele liitium-ioonakudele võivad kohalduda ohtlike kaupade õigusaktide nõu- ded.
- Kaubanduslikul transportimisel, näiteks kolman- date poolte või transportiettevõtete poolt, tuleb järgida pakendil ja siltidel toodud erinõudeid. Transportimiseks ettevalmistamisel on vajalik pidada nõu ohtliku materjali eksperdigaga. Samuti tuleb järgida võimalike riiklike regulatsioonide üksikasjalikumaid nõudeid.
- Katke teibiga või varjake avatud kontaktid ja pakendage aku selliselt, et see ei saaks pakendis liikuda.
11. Järgige kasutuskõlbatuks muutunud aku käitlemisel kohalikke eeskirju.

HOIDKE JUHEND ALLES.

⚠ETTEVAATUST: Kasutage ainult Makita originaalakusid. Mitte Makita originaalakude või muudetud akude kasutamine võib põhjustada akude süttimise, kehavigastuse ja kahjustuse. Samuti muu- dab see kehtetuks Makita tööriista ja laadija Makita garantii.

Vihjeid aku maksimaalse kasu- tusaja tagamise kohta

1. Laadige akukassetti enne selle täielikku tühenemist. Kui märkate, et tööriist töötab väiksema võimsusega, peatage töö ja laadige akukassetti.
2. Ärge laadige täielikult laetud akukassetti. Ülelaadimine lühendab akude kasutusiga.
3. Laadige akukassetti toatemperatuuril 10 °C - 40 °C. Enne laadimist laske kuumenenud aku- kassetti maha jahtuda.
4. Kui te ei kasuta akukassetti kauem kui kuus kuud, laadige see.

FUNKSIONAALNE KIRJELDUS

⚠ETTEVAATUST: Kandke alati hoolt selle eest, et tööriist oleks enne reguleerimist ja kontrollimist välja lülitatud ja akukassett eemaldatud.

Akukasseti paigaldamine või eemaldamine

⚠ETTEVAATUST: Lülitage tööriist alati enne akukasseti paigaldamist või eemaldamist välja.

⚠ETTEVAATUST: Akukasseti paigaldamisel või eemaldamisel tuleb tööriista ja akukassetti kindlalt paigal hoida. Kui tööriista ja akukassetti ei hoita kindlalt paigal, võivad need käest libiseda ning kahjustada tööriista ja akukassetti või põhjustada kehavigastusi.

► **Joon.1:** 1. Punane näidik 2. Nupp 3. Akukassett

Akukasseti eemaldamiseks libistage see tööriista küljest lahti, vajutades kasseti esiküljel paiknevat nuppu alla.

Akukasseti paigaldamiseks joondage akukasseti keel korpuse soonega ja libistage kassett oma kohale. Paigaldage akuadapter alati nii kaugemale, et see lukustusklõpsatusega oma kohale. Kui näete nupu ülaosas punast osa, pole kassett täielikult lukustunud.

⚠ETTEVAATUST: Paigaldage akukassett alati täies ulatuses nii, et punast osa ei jääks näha.

Muidu võib adapter juhuslikult tööriistast välja kukkuda ning põhjustada teile või läheduses viibivatele isikutele vigastusi.



















⚠ETTEVAATUST: Ärge rakendage akukassetti paigaldamisel jõudu. Kui kassett ei lähe kergesti sisse, pole see õigesti paigaldatud.










Aku jääkmahutavuse näit

Ainult näidikuga akukassettidele

► **Joon.2:** 1. Märkulambid 2. Kontrollimise nupp

Akukasseti järelejäanud mahutavuse kontrollimiseks vajutage kontrollimise nuppu. Märkulambid süttivad mõneks sekundiks.

Märkulambid			Jääkmahutavus
 Põleb	 Ei põle	 Vilgub	
			75 - 100%
			50 - 75%
			25 - 50%
			0 - 25%
			Laadige akut.

Märkulambid			Jääkmahutavus
 Põleb	 Ei põle	 Vilgub	
			Akul võib olla tõrge.
			

MÄRKUS: Näidatud mahutavus võib veidi erineda tegelikust mahutavusest olenevalt kasutustingimustest ja ümbritseva keskkonna temperatuurist.

Tööriista/aku kaitsesüsteem

Tööriist on varustatud tööriista või aku kaitsesüsteemiga. Süsteem lülitab mootori automaatselt välja, et pikendada tööriista ja aku tööiga. Tööriist seiskub käitamise ajal automaatselt, kui tööriista või aku kohta kehtib üks järgmistest tingimustest.

Ülekoormuskaitse

Kui akut kasutatakse viisil, mis nõuab akust tavatult palju voolu, seiskub tööriist ilma mingi näiduta. Sellises olukorras lülitage tööriist välja ja lõpetage tegevus, mis põhjustas tööriista ülekoormuse. Seejärel lülitage tööriist taaskäivitamiseks uuesti sisse.

Ülekuumenemiskaitse

Kui tööriist või aku on ülekuumenenud, peatub tööriist automaatselt ja lamp vilgub. Sellisel juhul laske tööriistal ja akul maha jahtuda, enne kui tööriista uuesti sisse lülitate.

Ülelaadimiskaitse

Kui aku laetuse tase ei ole piisav, seiskub tööriist automaatselt. Sellisel juhul eemaldage aku seadmest ja laadige täis.

Lüliti funktsioneerimine

⚠HOIATUS: Kontrollige alati enne akukasseti tööriista külge paigaldamist, kas lüliti päästik funktsioneerib nõuetekohaselt ja liigub lahtilaskmisel tagasi väljalülitatud asendisse.

► **Joon.3:** 1. Lüliti päästik 2. Lahtilukustusnupp

Tööriista tööle panemiseks on vaja lihtsalt lüliti päästikut vajutada. Tööriista kiirus kasvab siis, kui suurendate survet lüliti päästikule. Vabastage lüliti päästik tööriista seiskamiseks.

Katkestamatuks töötamiseks vajutage lüliti päästikut, lükake lukustusnupp sisse ja seejärel vabastage lüliti päästik. Lukustatud tööriista seiskamiseks tõmmake lüliti päästik lõpuni ning seejärel vabastage see.

⚠ETTEVAATUST: Pikemaajalisel kasutamisel saab operaatori mugavuse huvides lukustada lüliti sisse lülitatud asendisse. Tööriista lukustamisel sisse lülitatud asendisse olge ettevaatlik ja hoidke tööriista kindlas haardes.

MÄRKUS: Isegi kui lüliti on sisse lülitatud asendis ja mootor töötab, siis kruvikeeraja otsak ei pöörle. Siduri haakumiseks suruge tööriista edasi.

MÄRKUS: Tööriist peatub automaatselt, kui mootor pöörleb endiselt umbes 6 minutit.

Kontaktkäivituse režiim

► **Joon.4:** 1. Nupp 2. Režiimi näidik

Sellel tööriistal on kontaktkäivituse režiim. Selles režiimis lülitab tööriist mootori automaatselt välja, et säästa akut.

Kontaktkäivituse režiimi valimiseks tõmmake kergelt päästikut, seejärel vabastage see ja vajutage kiiresti nuppu. Režiimi näidik läheb põlema.

Kui kontaktkäivitus on aktiveeritud, tõmmake päästikut ja seejärel vajutage lukustusnuppu. Suruge kruvikeeraja otsakule ja mootor hakkab pöörlema. Edasine surve haagib siduri ja otsak hakkab pöörlema. Kontaktkäivituse režiimis pöörlevad mootor ja otsak ainult siis, kui tööriistale avaldatakse survet.

MÄRKUS: Kui tööriista ei kasutata lukustatud päästikuga kontaktkäivituse režiimis umbes 8 tunni jooksul, lülitub tööriist välja. Sellisel juhul vabastage ja tõmmake päästikut uuesti, et tööriist taaskäivitada.

Eesmise lambi süütamine

⚠ETTEVAATUST: Ärge vaadake otse valgusesse ega valgusalilikat.

► **Joon.5:** 1. Lamp 2. Nupp

Lambi sisselülitamiseks tõmmake kergelt päästikut ja seejärel vabastage see. Lamp kustub umbes 10 sekundit pärast päästiku vabastamist.

Et valgus sisse ei lülituks, tõmmake kergelt päästikut, seejärel vabastage see ja vajutage nuppu mõne sekundi jooksul.

Valguse sisselülitamiseks tehke uuesti sama toiming. Lukustatud päästikuga kontaktkäivituse režiimis kustub lamp pärast mootori peatumist umbes ühe minuti jooksul.

MÄRKUS: Lülitipäästiku vajutamise ajal ei saa lambi olekut muuta.

MÄRKUS: Lambi olekut saab muuta umbes 10 sekundit pärast lüliti päästiku vabastamist.

MÄRKUS: Pühkige lamp kuiva lapiga puhtaks. Olge seda tehes ettevaatlik, et lambi läätse mitte kriimustada, sest muidu võib valgustus väheneda.

Suunamuutmise lüliti töötamisviis

► **Joon.6:** 1. Suunamuutmise lüliti hoob

⚠ETTEVAATUST: Enne töö alustamist kontrollige alati pöörlemise suunda.

⚠ETTEVAATUST: Kasutage suunamuutmislülitit alles pärast tööriista täielikku seiskumist. Enne tööriista seiskumist suuna muutmine võib tööriista kahjustada.

⚠ETTEVAATUST: Kui tööriista ei kasutata, peab suunamuutmislülitit hoob olema alati neutraalses asendis.

Sellel tööriistal on suunamuutmise lüliti, millega saab muuta pöörlemise suunda. Liigutage suunamuutmislülitit hoob asendisse ↶ (A külj) ning tööriist pöörleb päripäeva; vastupäeva pöörlemiseks liigutage see asendisse ↷ (B külj).

Kui suunamuutmislülitit hoob on neutraalses asendis, siis ei saa päästikut tõmmata.

Sügavuse reguleerimine

► **Joon.7:** 1. Padrun

Sügavust saab reguleerida padrunit pöörates.

Väiksema sügavuse jaoks pöörake padrunit suunas „B” ja suurema sügavuse jaoks suunas „A”. Padruni üks täispööre muudab sügavust 2 mm (1/16”) võrra.

Mudel DFS250

► **Joon.8:** 1. Padrun

Mudel DFS251

► **Joon.9:** 1. Padrun

Reguleerige padrunit nii, et padruni otsa ja kruvipea vahele jääks umbes 3 mm (1/8”) (vt joonist). Kruvige üks kruvi prooviks töödeldavasse või sarnasesse pinda. Kui sügavus ei ole kruvi jaoks ikkagi sobiv, jätkake reguleerimist, kuni saavutate sobiva sügavuse.

Konks

⚠ETTEVAATUST: Eemaldage alati aku, kui kasutate tööriista riputamiseks konksu.

⚠ETTEVAATUST: Ärge kunagi riputage tööriista kõrgele ega potentsiaalselt ebastabiilsele pinnale.

► **Joon.10:** 1. Konks

Konks on mugav tööriista ajutiseks riputamiseks.

KOKKUPANEMINE

⚠ETTEVAATUST: Kandke alati hoolt selle eest, et tööriist oleks enne igasuguseid hooldustöid välja lülitatud ja akukassett eemaldatud.

Kruvikeeraja otsaku/sokliotsaku paigaldamine või eemaldamine

Mudel DFS250

► **Joon.11:** 1. Padrun

► **Joon.12:** 1. Padrun 2. Kruvikeeraja otsak 3. Magnetiga otsakuhoidik

Otsaku eemaldamiseks tõmmake padrun ära, seejärel haarake otsakust tangidega ja tõmmake see magnetiga otsakuhoidikust välja. Otsaku paigaldamiseks lükake see tugevalt magnetiga otsakuhoidikusse. Seejärel paigaldage padrun, surudes seda tugevalt tagasi.

Mudel DFS251

► **Joon.13:** 1. Padrun

► **Joon.14:** 1. Padrun 2. Otsakuhoidik

Otsaku hoidiku eemaldamiseks tõmmake padrunit ja seejärel otsaku hoidikut. Otsaku hoidiku paigaldamiseks lükake see tugevalt hülssi. Seejärel paigaldage padrun, surudes seda tugevalt tagasi.

Konks

► **Joon.15:** 1. Soon 2. Konks 3. Krugi

Konks on mugav tööriista ajutiseks riputamiseks. Selle võib paigaldada tööriista kummalegi poole. Konksu paigaldamiseks lükake see tööriista korpuse ükskõik kummal küljel olevasse soonde ja kinnitage kruviga. Eemaldamiseks keerake kruvi lahti ja võtke välja.

TÖÖRIISTA KASUTAMINE

Kruvide keeramine

► **Joon.16**

Sobitage kruvi kruvikeeraja otsaku tipu külge ja pange kruvi ots kinnitatava detaili pinnale. Suruge tööriistale ja käivitage see. Tõmmake tööriist tagasi niipea, kui sidur rakendub. Seejärel vabastage päästik.

⚠ETTEVAATUST: Kui sobitate kruvi kruvikeeraja otsaku külge, olge ettevaatlik ning ärge suruge kruvi otsakusse. Kui kruvi on sisse surutud, sidur haakub ja kruvi hakkab ootamatult pöörlema. See võib detaili kahjustada või põhjustada vigastusi.

⚠ETTEVAATUST: Veenduge, et kruvikeeraja otsak oleks asetatud kruvipeasse otse, sest muidu võite kruvi ja/või otsakut kahjustada.

HOOLDUS

⚠ETTEVAATUST: Enne kontroll- või hooldustoimingute tegemist kandke alati hoolt selle eest, et tööriist oleks välja lülitatud ja akukassett korpuse küljest eemaldatud.

TÄHELEPANU: Ärge kunagi kasutage bensiini, vedeldit, alkoholi ega midagi muud sarnast. Selle tulemuseks võib olla luitumine, deformatsioon või pragunemine.

Toote OHUTUSE ja TÖÖKINDLUSE tagamiseks tuleb vajalikud remonttööd ning muud hooldus- ja reguleerimistööd lasta teha Makita volitatud teeninduskeskustes või tehase teeninduskeskustes. Alati tuleb kasutada Makita varuosi.

VALIKULISED TARIKUD

⚠ETTEVAATUST: Neid tarvikuid ja lisaseadiseid on soovitatav kasutada koos Makita tööriistaga, mille kasutamist selles kasutusjuhendis kirjeldatakse. Muude tarvikute ja liseseadiste kasutamisega kaasneb vigastada saamise oht. Kasutage tarvikuid ja liseseadiseid ainult otstarbekohaselt.

Saate vajaduse korral kohalikust Makita teeninduskeskusest lisateavet nende tarvikute kohta.

- Kruvikeeraja otsakud
- Magnetiga otsakuhoidik
- Otsakuhoidikud
- Makita algupärane aku ja laadija
- Plastkohver

MÄRKUS: Mõned nimekirjas loetletud tarvikud võivad kuuluda standardvarustusse ning need on lisatud tööriista pakendisse. Need võivad riigiti erineda.

ТЕХНИЧЕСКИЕ ХАРАКТЕРИСТИКИ

Модель:		DFS250	DFS251
Усилие затяжки	Самонарезающий шуруп	6 мм	
	Шуруп для гипсокартона	5 мм	
Число оборотов без нагрузки (об/мин)		0 - 2 500 мин ⁻¹	
Общая длина	С коротким локатором	223 мм	-
	С длинным локатором	239 мм	-
Общая длина		-	217 мм
Номинальное напряжение		18 В пост. тока	
Стандартный блок аккумулятора		BL1815 / BL1815N / BL1820 / BL1820B	BL1830 / BL1830B / BL1840 / BL1840B / BL1850 / BL1850B / BL1860B
Зарядное устройство		DC18RC / DC18RD / DC18SE / DC18SF / DC18SD	
Масса нетто		1,6 кг	1,8 кг

- Благодаря нашей постоянно действующей программе исследований и разработок указанные здесь технические характеристики могут быть изменены без предварительного уведомления.
- Технические характеристики и аккумуляторный блок могут отличаться в зависимости от страны.
- Масса (с аккумуляторным блоком) в соответствии с процедурой EPTA 01.2003

Назначение

Инструмент предназначен для закручивания шурупов в древесину, металл и пластмассу.

Шум

Типичный уровень взвешенного звукового давления (A), измеренный в соответствии с EN62841:

Модель DFS250

Уровень звукового давления (L_{рА}): 72 дБ (A)

Погрешность (K): 3 дБ (A)

Модель DFS251

Уровень звукового давления (L_{рА}): 72 дБ (A)

Погрешность (K): 3 дБ (A)

Уровень шума при выполнении работ может превышать 80 дБ (A).

⚠ ОСТОРОЖНО: Используйте средства защиты слуха.

Вибрация

Суммарное значение вибрации (сумма векторов по трем осям), определенное в соответствии с EN62841:

Модель DFS250

Рабочий режим: Закручивание без нажатия

Распространение вибрации (a_h): 2,5 м/с² или менее

Погрешность (K): 1,5 м/с²

Модель DFS251

Рабочий режим: Закручивание без нажатия

Распространение вибрации (a_h): 2,5 м/с² или менее

Погрешность (K): 1,5 м/с²

ПРИМЕЧАНИЕ: Заявленное значение распространения вибрации измерено в соответствии со стандартной методикой испытаний и может быть использовано для сравнения инструментов.

ПРИМЕЧАНИЕ: Заявленное значение распространения вибрации можно также использовать для предварительных оценок воздействия.

⚠ ОСТОРОЖНО: Распространение вибрации во время фактического использования электроинструмента может отличаться от заявленного значения в зависимости от способа применения инструмента.

⚠ ОСТОРОЖНО: Обязательно определите меры безопасности для защиты оператора, основанные на оценке воздействия в реальных условиях использования (с учетом всех этапов рабочего цикла, таких как выключение инструмента, работа без нагрузки и включение).

Декларация о соответствии ЕС

Только для европейских стран

Декларация о соответствии ЕС включена в руководство по эксплуатации (Приложение А).

МЕРЫ БЕЗОПАСНОСТИ

Общие рекомендации по технике безопасности для электроинструментов

▲ОСТОРОЖНО: Ознакомьтесь со всеми представленными инструкциями по технике безопасности, указаниями, иллюстрациями и техническими характеристиками, прилагаемыми к данному электроинструменту. Несоблюдение каких-либо инструкций, указанных ниже, может привести к поражению электрическим током, пожару и/или серьезной травме.

Сохраните брошюру с инструкциями и рекомендациями для дальнейшего использования.

Термин "электроинструмент" в предупреждениях относится ко всему инструменту, работающему от сети (с проводом) или на аккумуляторах (без провода).

Правила техники безопасности при эксплуатации аккумулятора шуруповерта

1. Если при выполнении работ существует риск контакта инструмента со скрытой электропроводкой, держите электроинструмент за специально предназначенные изолированные поверхности. Контакт с проводом под напряжением приведет к тому, что металлические детали инструмента также будут под напряжением, что приведет к поражению оператора электрическим током.
2. При выполнении работ всегда занимайте устойчивое положение. При использовании инструмента на высоте убедитесь в отсутствии людей внизу.
3. Крепко держите инструмент.
4. Руки должны находиться на расстоянии от вращающихся деталей.
5. Сразу после окончания работ не прикасайтесь к головке или детали. Они могут быть очень горячими, что приведет к ожогам кожи.
6. Всегда закрепляйте обрабатываемые детали в тисках или аналогичном зажимном устройстве.

СОХРАНИТЕ ДАННЫЕ ИНСТРУКЦИИ.

▲ОСТОРОЖНО: НЕ ДОПУСКАЙТЕ, чтобы удобство или опыт эксплуатации данного устройства (полученный от многократного использования) доминировали над строгим соблюдением правил техники безопасности при обращении с этим устройством.

НЕПРАВИЛЬНОЕ ИСПОЛЬЗОВАНИЕ инструмента или несоблюдение правил техники безопасности, указанных в данном руководстве, может привести к тяжелой травме.

Важные правила техники безопасности для работы с аккумуляторным блоком

1. Перед использованием аккумуляторного блока прочитайте все инструкции и предупреждающие надписи на (1) зарядном устройстве, (2) аккумуляторном блоке и (3) инструменте, работающем от аккумуляторного блока.
2. Не разбирайте аккумуляторный блок.
3. Если время работы аккумуляторного блока значительно сократилось, немедленно прекратите работу. В противном случае, может возникнуть перегрев блока, что приведет к ожогам и даже к взрыву.
4. В случае попадания электролита в глаза промойте их обильным количеством чистой воды и немедленно обратитесь к врачу. Это может привести к потере зрения.
5. Не замыкайте контакты аккумуляторного блока между собой:
 - (1) Не прикасайтесь к контактам какими-либо токопроводящими предметами.
 - (2) Не храните аккумуляторный блок в контейнере вместе с другими металлическими предметами, такими как гвозди, монеты и т. п.
 - (3) Не допускайте попадания на аккумуляторный блок воды или дождя.Замыкание контактов аккумуляторного блока между собой может привести к возникновению большого тока, перегреву, возможным ожогам и даже поломке блока.
6. Не храните инструмент и аккумуляторный блок в местах, где температура может достигать или превышать 50 °C (122 °F).
7. Не бросайте аккумуляторный блок в огонь, даже если он сильно поврежден или полностью вышел из строя. Аккумуляторный блок может взорваться под действием огня.
8. Не роняйте и не ударяйте аккумуляторный блок.
9. Не используйте поврежденный аккумуляторный блок.
10. Входящие в комплект литий-ионные аккумуляторы должны эксплуатироваться в соответствии с требованиями законодательства об опасных товарах. При коммерческой транспортировке, например, третьей стороной или экспедитором, необходимо нанести на упаковку специальные предупреждения и маркировку. В процессе подготовки устройства к отправке обязательно проконсультируйтесь со специалистом по опасным материалам. Также соблюдайте местные требования и нормы. Они могут быть строже. Закройте или закрепите разомкнутые контакты и упакуйте аккумулятор так, чтобы он не перемещался по упаковке.
11. Выполняйте требования местного законодательства относительно утилизации аккумуляторного блока.

СОХРАНИТЕ ДАННЫЕ ИНСТРУКЦИИ.

ВНИМАНИЕ: Используйте только фирменные аккумуляторные батареи Makita. Использование аккумуляторных батарей, не произведенных Makita, или батарей, которые были подвергнуты модификациям, может привести к взрыву аккумулятора, пожару, травмам и повреждению имущества. Это также автоматически аннулирует гарантию Makita на инструмент и зарядное устройство Makita.

Советы по обеспечению максимального срока службы аккумулятора

1. Заряжайте блок аккумуляторов перед его полной разрядкой. Обязательно прекратите работу с инструментом и зарядите блок аккумуляторов, если вы заметили снижение мощности инструмента.
2. Никогда не подзаряжайте полностью заряженный блок аккумуляторов. Перезарядка сокращает срок службы аккумулятора.
3. Заряжайте блок аккумуляторов при комнатной температуре в 10 - 40 °C (50 - 104 °F). Перед зарядкой горячего блока аккумуляторов дайте ему остыть.
4. Зарядите ионно-литиевый аккумуляторный блок, если вы не будете пользоваться инструментом длительное время (более шести месяцев).

ОПИСАНИЕ РАБОТЫ

ВНИМАНИЕ: Перед регулировкой или проверкой функций инструмента обязательно убедитесь, что он выключен и его аккумуляторный блок снят.

Установка или снятие блока аккумуляторов

ВНИМАНИЕ: Обязательно выключайте инструмент перед установкой и извлечением аккумуляторного блока.

ВНИМАНИЕ: При установке и извлечении аккумуляторного блока крепко удерживайте инструмент и аккумуляторный блок. Если не соблюдать это требование, они могут выскользнуть из рук, что приведет к повреждению инструмента, аккумуляторного блока и травмированию оператора.

► **Рис. 1:** 1. Красный индикатор 2. Кнопка 3. Блок аккумулятора

Для снятия аккумуляторного блока нажмите кнопку на лицевой стороне и извлеките блок.

Для установки аккумуляторного блока совместите выступ аккумуляторного блока с пазом в корпусе и задвиньте его на место. Устанавливайте блок до упора так, чтобы он зафиксировался на месте с небольшим щелчком. Если вы можете видеть красный индикатор на верхней части клавиши, адаптер аккумулятора не полностью установлен на месте.

ВНИМАНИЕ: Обязательно устанавливайте аккумуляторный блок до конца, чтобы красный индикатор не был виден. В противном случае аккумуляторный блок может выпасть из инструмента и нанести травму вам или другим людям.

ВНИМАНИЕ: Не прилагайте чрезмерных усилий при установке аккумуляторного блока. Если блок не двигается свободно, значит он вставлен неправильно.

Индикация оставшегося заряда аккумулятора

Только для блоков аккумулятора с индикатором

► **Рис.2:** 1. Индикаторы 2. Кнопка проверки

Нажмите кнопку проверки на аккумуляторном блоке для проверки заряда. Индикаторы загорятся на несколько секунд.

Индикаторы			Уровень заряда
Горит	Выкл.	Мигает	
			от 75 до 100%
			от 50 до 75%
			от 25 до 50%
			от 0 до 25%
			Зарядите аккумуляторную батарею.
			Возможно, аккумуляторная батарея неисправна.

ПРИМЕЧАНИЕ: В зависимости от условий эксплуатации и температуры окружающего воздуха индикация может незначительно отличаться от фактического значения.

Система защиты инструмента/аккумулятора

На инструменте предусмотрена система защиты инструмента/аккумулятора. Она автоматически отключает питание двигателя для продления срока службы инструмента и аккумулятора. Инструмент автоматически остановится во время работы в следующих случаях:

Защита от перегрузки

Если из-за способа эксплуатации аккумулятор потребляет очень большое количество тока, он автоматически остановится без включения каких-либо индикаторов. В этом случае выключите инструмент и прекратите работу, повлекшую перегрузку инструмента. Затем включите инструмент для перезапуска.

Защита от перегрева

При перегреве инструмента или аккумулятора инструмент автоматически останавливается, подсветка начинает мигать. В этом случае дайте инструменту/аккумулятору остыть перед повторным включением.

Защита от переразрядки

При истощении емкости аккумулятора инструмент автоматически останавливается. В этом случае извлеките аккумулятор из инструмента и зарядите его.

Действие выключателя

▲ ОСТОРОЖНО: Перед установкой аккумулятора блока в инструмент обязательно убедитесь, что его триггерный переключатель нормально работает и возвращается в положение "OFF" (ВЫКЛ) при отпускании.

► Рис.3: 1. Триггерный переключатель 2. Кнопка разблокировки

Для запуска инструмента просто нажмите на триггерный переключатель. Для увеличения числа оборотов нажмите триггерный переключатель сильнее. Отпустите триггерный переключатель для остановки.

Для непрерывной работы инструмента нажмите на триггерный переключатель, нажмите кнопку блокировки и затем отпустите триггерный переключатель. Для остановки инструмента из заблокированного положения полностью нажмите триггерный переключатель, затем отпустите его.

▲ ВНИМАНИЕ: В случае продолжительной работы для удобства оператора переключатель можно зафиксировать в положении "ВКЛ.". Соблюдайте осторожность при фиксации инструмента в положении "ВКЛ." и крепко удерживайте инструмент.

ПРИМЕЧАНИЕ: Даже при включенном переключателе и работающем двигателе насадка для отвертки не вращается. Переместите инструмент вперед для включения муфты.

ПРИМЕЧАНИЕ: Инструмент автоматически выключается, если двигатель продолжает работать в течение 6 минут.

Нажимной режим

► Рис.4: 1. Кнопка 2. Индикатор режима

В данном инструменте предусмотрен нажимной режим. В этом режиме для экономии заряда аккумулятора во время работы на холостом ходу питание двигателя отключается.

Для выбора нажимного режима слегка потяните триггерный переключатель и отпустите его, после чего кратко нажмите кнопку. Загорится индикатор режима. После активации нажимного режима потяните триггерный переключатель и нажмите кнопку блокировки. Надавите на насадку для отвертки, чтобы двигатель начал работать. Дальнейшее усилие приводит к включению муфты и вращению насадки для отвертки. В нажимном режиме двигатель и насадка для отвертки работают только под давлением.

ПРИМЕЧАНИЕ: Если инструмент не работает в нажимном режиме в течение примерно 8 часов при включенной блокировке триггерного переключателя, инструмент выключается. В этом случае отпустите и снова потяните триггерный переключатель для возобновления работы.

Включение передней лампы

▲ ВНИМАНИЕ: Не смотрите непосредственно на свет или источник света.

► Рис.5: 1. Подсветка 2. Кнопка

Чтобы включить подсветку, слегка потяните триггерный переключатель и отпустите его. Подсветка гаснет примерно через 10 секунд после отпускания триггерного переключателя. Для включения подсветки слегка потяните триггерный переключатель, отпустите его и нажмите на несколько секунд кнопку. Чтобы включить подсветку, повторите это действие. В нажимном режиме при включенной блокировке триггерного переключателя подсветка гаснет примерно через минуту после выключения двигателя.

ПРИМЕЧАНИЕ: При нажатом триггерном переключателе состояние лампы изменить нельзя.

ПРИМЕЧАНИЕ: Состояние лампы можно изменить примерно через 10 секунд после отпускания триггерного переключателя.

ПРИМЕЧАНИЕ: Для удаления пыли с линзы лампы используйте сухую ткань. Не допускайте возникновения царапин на линзе лампы, так как это приведет к снижению освещенности.

Действие реверсивного переключателя

► Рис.6: 1. Рычаг реверсивного переключателя

▲ ВНИМАНИЕ: Перед работой всегда проверьте направление вращения.

▲ ВНИМАНИЕ: Используйте реверсивный переключатель только после полной остановки инструмента. Изменение направления вращения до полной остановки инструмента может привести к его повреждению.

▲ ВНИМАНИЕ: Если инструмент не используется, обязательно переведите рычаг реверсивного переключателя в нейтральное положение.

Этот инструмент оборудован реверсивным переключателем для изменения направления вращения. Переместите рычаг реверсивного переключателя в положение ↶ (сторона А) для вращения по часовой стрелке или в положение ↷ (сторона В) для вращения против часовой стрелки. Когда рычаг реверсивного переключателя находится в нейтральном положении, триггерный переключатель нажать нельзя.

Регулировка глубины

► Рис.7: 1. Локатор

Глубина регулируется поворотом локатора. При повороте в направлении "В" глубина уменьшается, в направлении "А" – увеличивается. Один полный оборот локатора изменяет глубину на 2 мм (1/16").

Для DFS250

► Рис.8: 1. Локатор

Для DFS251

► Рис.9: 1. Локатор

Отрегулируйте положение локатора таким образом, чтобы расстояние между его концом и головкой шурупа составляло примерно 3 мм (1/8"), как показано на рисунках. Вверните пробный шуруп в материал или деталь из подобного материала. Если глубина все еще не подходит для шурупа, продолжайте регулировку до достижения соответствующей глубины.

Крючок

ВНИМАНИЕ: Обязательно извлекайте аккумулятор при подвешивании инструмента с помощью крючка.

ВНИМАНИЕ: Никогда не вешайте инструмент на высоте или на потенциально неустойчивой поверхности.

► Рис.10: 1. Крючок

Крючок удобен для временного подвешивания инструмента.

СБОРКА

ВНИМАНИЕ: Перед проведением каких-либо работ с инструментом обязательно убедитесь, что инструмент отключен, а блок аккумулятора снят.

Установка или снятие насадки для отвертки/гнездовой биты

Для DFS250

► Рис.11: 1. Локатор

► Рис.12: 1. Локатор 2. Насадка для отвертки
3. Магнитный держатель насадок

Чтобы снять насадку для отвертки, потяните локатор, а затем возьмите насадку плоскогубцами и вытяните ее из магнитного держателя. Для установки насадки для отвертки крепко толкните ее в магнитный держатель насадок для отвертки. Затем установите локатор, нажав на него до упора.

Для DFS251

► Рис.13: 1. Локатор

► Рис.14: 1. Локатор 2. Гнездовая насадка

Чтобы снять гнездовую насадку, потяните локатор, а затем снимите гнездовую насадку. Для установки гнездовой насадки крепко толкните ее во втулку. Затем установите локатор, нажав на него до упора.

Крючок

► Рис.15: 1. Паз 2. Крючок 3. Винт

Крючок удобен для временного подвешивания инструмента. Он может быть установлен с любой стороны инструмента. Для установки крючка вставьте его в паз в корпусе инструмента с одной из сторон и закрепите при помощи винта. Для снятия ослабьте винт и извлеките его.

ЭКСПЛУАТАЦИЯ

Работа в режиме шуруповерта

► Рис.16

Установите шуруп на конец насадки и поставьте острие шурупа на поверхность детали, которую необходимо закрепить. Надавите на инструмент и запустите его. Уберите инструмент сразу же после срабатывания муфты. После этого отпустите триггерный переключатель.

ВНИМАНИЕ: При установке винта на конец насадки соблюдайте осторожность и не давите на шуруп. Если надавить на шуруп, включится муфта, и шуруп внезапно закрутится. Это может повредить обрабатываемую деталь или привести к травме.

ВНИМАНИЕ: Следите за тем, чтобы насадка вставлялась прямо в головку шурупа, иначе можно повредить шуруп и/или насадку.

ОБСЛУЖИВАНИЕ

ВНИМАНИЕ: Перед проведением проверки или работ по техобслуживанию всегда проверяйте, что инструмент выключен, а блок аккумуляторов снят.

ПРИМЕЧАНИЕ: Запрещается использовать бензин, растворители, спирт и другие подобные жидкости. Это может привести к обесцвечиванию, деформации и трещинам.

Для обеспечения БЕЗОПАСНОСТИ и НАДЕЖНОСТИ оборудования ремонт, любое другое техобслуживание или регулировку необходимо производить в уполномоченных сервис-центрах Makita или сервис-центрах предприятия с использованием только сменных частей производства Makita.

ДОПОЛНИТЕЛЬНЫЕ ПРИНАДЛЕЖНОСТИ

ВНИМАНИЕ: Данные принадлежности или приспособления рекомендуются для использования с инструментом Makita, указанным в настоящем руководстве. Использование других принадлежностей или приспособлений может привести к получению травмы. Используйте принадлежность или приспособление только по указанному назначению.

Если вам необходимо содействие в получении дополнительной информации по этим принадлежностям, свяжитесь с вашим сервис-центром Makita.

- Насадки для отвертки
- Магнитный держатель насадок
- Гнездовые насадки
- Оригинальный аккумулятор и зарядное устройство Makita
- Пластмассовый чемодан для переноски

ПРИМЕЧАНИЕ: Некоторые элементы списка могут входить в комплект инструмента в качестве стандартных приспособлений. Они могут отличаться в зависимости от страны.

Makita Europe N.V. Jan-Baptist Vinkstraat 2,
3070 Kortenberg, Belgium

Makita Corporation 3-11-8, Sumiyoshi-cho,
Anjo, Aichi 446-8502 Japan

www.makita.com

885536-983
EN, SV, NO, FI, LV,
LT, ET, RU
20160718